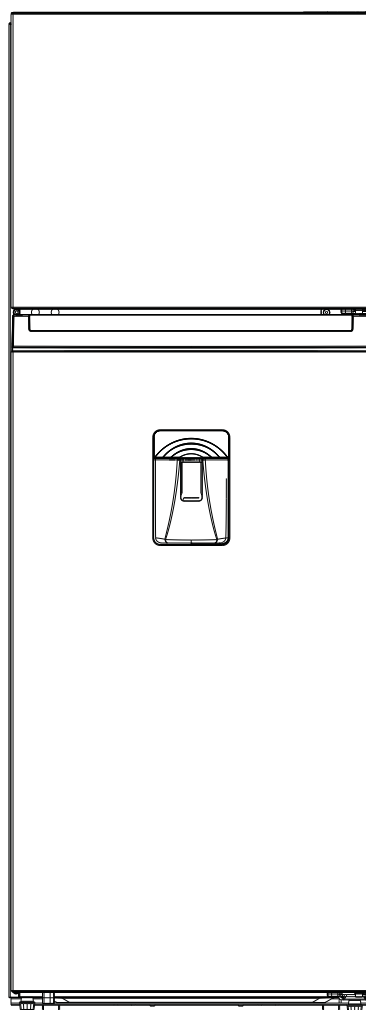


REFRIGERATOR FREEZER

For Home Use Only

GR-RT535WEA-PMTH(06)



- Thank you very much for purchasing this Toshiba product.
- Read this Owner's Manual and become completely familiar with the product before use in order to use this product safely and correctly.
- Keep this Owner's Manual in a handy place for future reference.
- Make sure that you received your warranty.

CONTENTS

1 Safety warnings

1.1 Warning	1
1.2 Meanings of safety warning symbols	4
1.3 Electricity related warnings	4
1.4 Warnings for using	5
1.5 Warnings for placement	6
1.6 Warnings for energy	7
1.7 Warnings for disposal	7

2 Proper use of the refrigerator

2.1 Placement	8
2.2 Leveling feet	9
2.3 Proper storage of food	10
2.4 Door right-left change(optional)	11
2.5 Changing the Light	13
2.6 Starting	13
2.7 Energy saving tips	13

3 Structure and functions

3.1 Key components	14
3.2 Functions	16

4 Maintenance and care of the refrigerator

4.1 Overall cleaning	19
4.2 Cleaning the glass shelf	19
4.3 Usage of water dispenser	20
4.4 Defrosting	20
4.5 Out of operation	20
4.6 Precautions for the use of ice maker	21
4.7 Use and cleaning of ice storage box	24
4.8 Cleaning of water tank and water way of ice maker	25

5. Trouble shooting	26
----------------------------	-----------

6. Disposal of your appliance	27
--------------------------------------	-----------

1. Safety warnings

READ SAFETY PRECAUTIONS BEFORE INSTALLATION

To prevent injury to the user or other people and property damage, the following instructions must be followed. Incorrect operation due to ignoring of instructions may cause harm or damage.

1.1 Warning

⚠ WARNING



Warning : risk of fire / flammable materials

- **WARNING:** Risk of fire disaster and explosion
The refrigerant of the appliance is flammable, please be care not to damage the cooling pipes during installation and transportation. if gas leakage happens, please contact the distributor or local service agent, and the following precautions should be always taken:
 1. Open the windows for ensuring good ventilation.
 2. No fire around and please do not use other electric appliance.
- This appliance is intended to be used in household and similar applications such as staff kitchen areas in shops, offices and other working environments; farm houses and by clients in hotels, motels and other residential type environments; bed and breakfast type environments; catering and similar non-retail applications.
- Children should be supervised to ensure that they do not play with the appliance.
- **WARNING:** Risk of fire disaster and electric shock
The power cord should be replaced when it has been damaged. please contact the distributor or local service agent for replacement.
- Please unplug the power plug from socket when clean the appliance or leave the appliance nonuse for a long time.
- Do not use extension cord or ungrounded (two prong) adapters.
- **WARNING:** Keep ventilation openings, in the appliance enclosure or in the built-in structure, clear of obstruction.
- **WARNING:** Do not use mechanical devices or other means to accelerate the defrosting process, other than those recommended by the manufacturer.
- **WARNING:** Do not damage the refrigerant circuit.

-
- **WARNING:** Do not use electrical appliances inside the food storage compartments of the appliance, unless they are of the type recommended by the manufacturer.
 - **WARNING:** Please abandon the refrigerator according to local regulators for its use of flammable cyclopentane foaming material and refrigerant.
 - **WARNING:** When positioning the appliance, ensure the supply cord is not trapped or damaged.
 - **WARNING:** Do not locate multiple portable socket-outlets or portable power supplies at the rear of the appliance.
 - **WARNING:** Please fill with potable water only. Please do not fill with hot water or liquids other than potable water such as juices.
 - **DANGER:** Risk of child entrapment. Before you throw away your old refrigerator or freezer:
 - Remove doors and door seals.
 - Leave the shelves in place so that children may not easily climb inside.
 - The refrigerator must be disconnected from the source of electrical supply before attempting the installation of accessory.
 - Refrigerant and cyclopentane foaming material used for the refrigerator are flammable. Therefore, when the refrigerator is scrapped, it shall be kept away from any fire source and be recovered by a special recovering company with corresponding qualification other than be disposed by combustion, so as to prevent damage to the environment or any other harm.
 - This appliance can be used by children aged from 8 years and above and persons with reduced physical sensory or mental capabilities or lack of experience and knowledge if they have been given supervision or instruction concerning use of the appliance in a safe way and understand the hazards involved.
Children shall not play with the appliance. Cleaning and user maintenance shall not be made by children without supervision.
 - This appliance is not intended for use by persons (including children) with reduced physical, sensory or mental capabilities, or lack of experience and knowledge, unless they have been given supervision or instruction concerning use of the appliance by a person responsible for their safety.)
 - Please do not use the appliance on traffic means (such as ship and so on).

-
- If noise, odor and smoking happens, please unplug the power plug immediately, and contact the distributor or local service agent.
 - Please do not put your hands under or behind the appliance to prevent from being hurt.
 - Please leave the packing materials and other parts out of the reach of children to prevent from risk of suffocation.
 - To avoid contamination of food, please respect the following instructions:
 - Opening the door for long periods can cause a significant increase of the temperature in the compartments of the appliance.
 - Clean regularly surfaces that can come in contact with food and accessible drainage systems.
 - Clean water tanks if they have not been used for 48h; flush the water system connected to a water supply if water has not been drawn for 5days. (note 1)
 - Store raw meat and fish in suitable containers in the refrigerator, so that it is not in contact with or drip onto other food.
 - Two-star ** compartments are suitable for storing pre-frozen food, storing or making ice-cream and making ice cubes. (note 2)
 - One -star *, two-star **, three-star *** compartments are not suitable for the freezing of fresh food. (note 3)
If the refrigerating appliance is left empty for long periods, switch of,
 - defrost, clean, dry, and leave the door open to prevent mould developing within the appliance.
 - Note 1,2,3: Please confirm whether it is applicable according to your product compartment type.
 - For a freestanding appliance: this refrigerating appliance is not intended to be used as a built-in appliance.

1.2 Meaning of safety warning symbols



Prohibition symbol

This is a prohibition symbol.
Any non-compliance with instructions marked with this symbol may result in damage to the product or endanger the personal safety of the user.



Mandatory action symbol

This is a mandatory action symbol.
It is required to operate in strict observance of instructions marked with this symbol, otherwise damage to the product or personal injury may be caused.

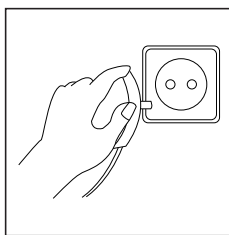


Cautioning symbol

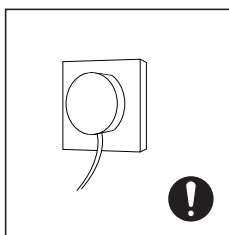
This is a cautioning symbol.
Instructions marked with this symbol require special caution. Insufficient caution may result in slight or moderate injury, or damage to the product.

This manual contains lots of important safety information which shall be observed by the users.

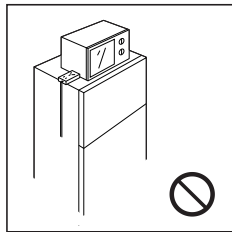
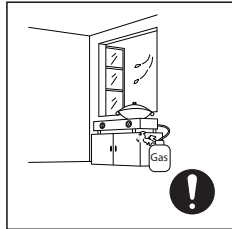
1.3 Electricity related warnings



- Do not pull the power cord when pulling the power plug of the refrigerator. Please firmly grasp the plug and pull out it from the socket directly.

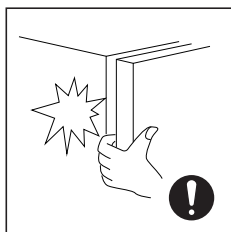
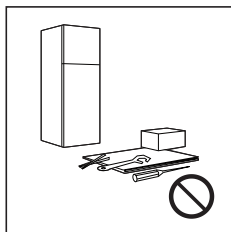


- To ensure safe use, do not damage the power cord and do not use the power cord when it is damaged or worn.
- Please do not touch the power plug with wet hand to prevent from electric shock.
- Please use a dedicated power socket and the power socket shall not be shared with other electrical appliances. The power plug should be firmly contacted with the socket or else fires might be caused.

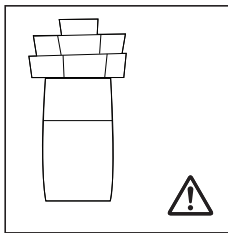


- Please ensure that the grounding electrode of the power socket is equipped with a reliable grounding line.
- Please ask for help from persons with professional qualification to examine whether the socket is with reliable grounding line or not.
- It is the users' responsibility to change the ungrounded socket into grounded socket.
- Please turn of the valve of the leaking gas and then open the doors and windows in case of leakage of gas and other flammable gases. Do not unplug the refrigerator and other electrical appliances considering that spark may cause a fire.
- Do not use electrical appliances on the top of the appliance, unless they are of the type recommended by the manufacturer.

1.4 Warnings for using

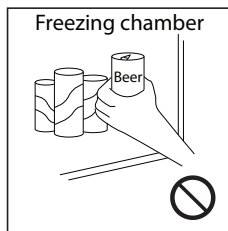
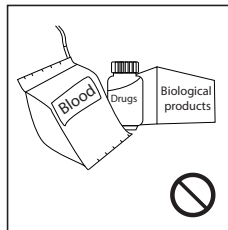
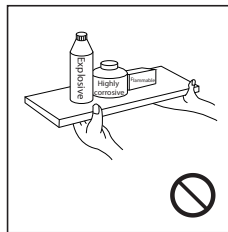


- Do not arbitrarily disassemble or reconstruct the refrigerator, or damage the refrigerant circuit; maintenance of the appliance must be conducted by a specialist.
- Damaged power cord must be replaced by the manufacturer, its maintenance department or related professionals in order to avoid danger.
- The gaps between refrigerator doors and between doors and refrigerator body are small, be noted not to put your hand in these areas to prevent from squeezing the finger. Please close it gentle when close the refrigerator door to avoid falling contents.



- Do not pick foods or containers with wet hands in the freezing chamber when the refrigerator is running, especially metal containers in order to avoid frostbite.
- Do not allow any child to get into or climb the refrigerator; otherwise suffocation or falling injury of the child may be caused.
- Please do not put heavy or dangerous objects on top of the appliance. (bottles, tableware, or something containing liquid)

1.5 Warnings for placement



- Do not put flammable, explosive, volatile and highly corrosive items in the refrigerator to prevent damages to appliances or stored articles or fire accidents.
- Do not place flammable items near the refrigerator to avoid fires.
- The refrigerator is intended for household use, such as storage of foods; it shall not be used for other purposes, such as storage of blood, drugs or biological products, etc.
- Do not store beer, beverage or other fluid contained in bottles or enclosed containers in the freezing chamber of the refrigerator; or otherwise the bottles or enclosed containers may crack due to freezing to cause damage to appliances or stored articles.

1.6 Warnings for energy

- Refrigerating appliances might not operate consistently (possibility of defrosting of contents or temperature becoming too warm in the freezing chamber) when sited for an extended period of time below the cold end of the range of temperatures for which the refrigerating appliance is designed.
- Effervescent drinks should not be stored in food freezer compartments or containers or in low-temperature compartments or containers, and that should not be consumed too cold.
- Do not exceed the storage time(s) recommended by the food manufacturers for any kind of food and particularly for commercially quick-frozen food in food-freezer and frozen-food storage compartments or containers.
- To prevent an undue rise in the temperature of the frozen food while defrosting the refrigerating appliance, it should take precautions such as wrapping the frozen food in several layers of newspaper.
- A rise in temperature of the frozen food during manual defrosting, maintenance or cleaning could shorten the storage life.

1.7 Warnings for disposal



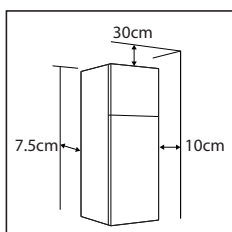
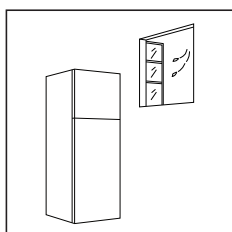
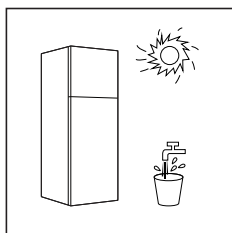
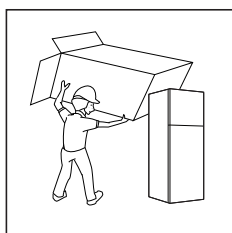
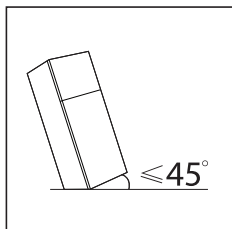
- Refrigerant and cyclopentane foaming material used for the refrigerator are flammable. Therefore, when the refrigerator is scrapped, it shall be kept away from any fire source and be recovered by a special recovering company with corresponding qualification other than be disposed by combustion, so as to prevent damage to the environment or any other harm.



- When the refrigerator is scrapped, disassemble the doors, and remove the seal; leave the shelves in a proper place, so as to prevent trapping of any child.

2. Proper use of the refrigerator

2.1 Placement



- Before initial start, keep the refrigerator still for two hours before connecting it to power supply.
- Before the refrigerator is moved, take all objects inside out, fix the glass shelves, freezing chamber drawers and etc. with tape, and tighten the leveling feet; close the doors and seal them with tape. During moving, the appliance shall not be laid upside down or horizontally, or be vibrated; the inclination during movement shall be no more than 45°.
- Before use, remove all packing materials, including bottom cushions, foam pads and tapes inside of the refrigerator; tear of the protective film on the doors and the refrigerator body. Keep away from heat and avoid direct sunlight. Do not place the appliances in moist or watery places to prevent rust or reduction of insulating effect.
- Do not spray of liquid and etc. or wash the refrigerator; do not put the refrigerator in moist places easy to be splashed with water so as not to affect the electrical insulation properties of the refrigerator.
- The refrigerator should placed in a well-ventilated indoor place; the ground shall be flat, and sturdy (rotate left or right to adjust the leveling feet for leveling if unstable).
- The top space of the refrigerator shall be greater than 30cm, and the refrigerator both sides should be placed against the wall with a free distance more than 10cm, and the refrigerator back against the wall distance not more than 7.5cm.

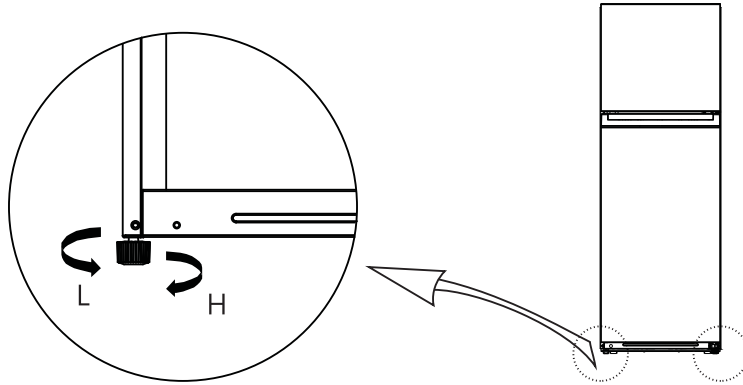


Precautions before installation:

Before installation or adjusting of accessories, it shall be ensured that the refrigerator is disconnected from power. Precautions shall be taken to prevent fall of the handle from causing any personal injury.

2.2 Leveling feet

Schematic dia gram of the leveling feet



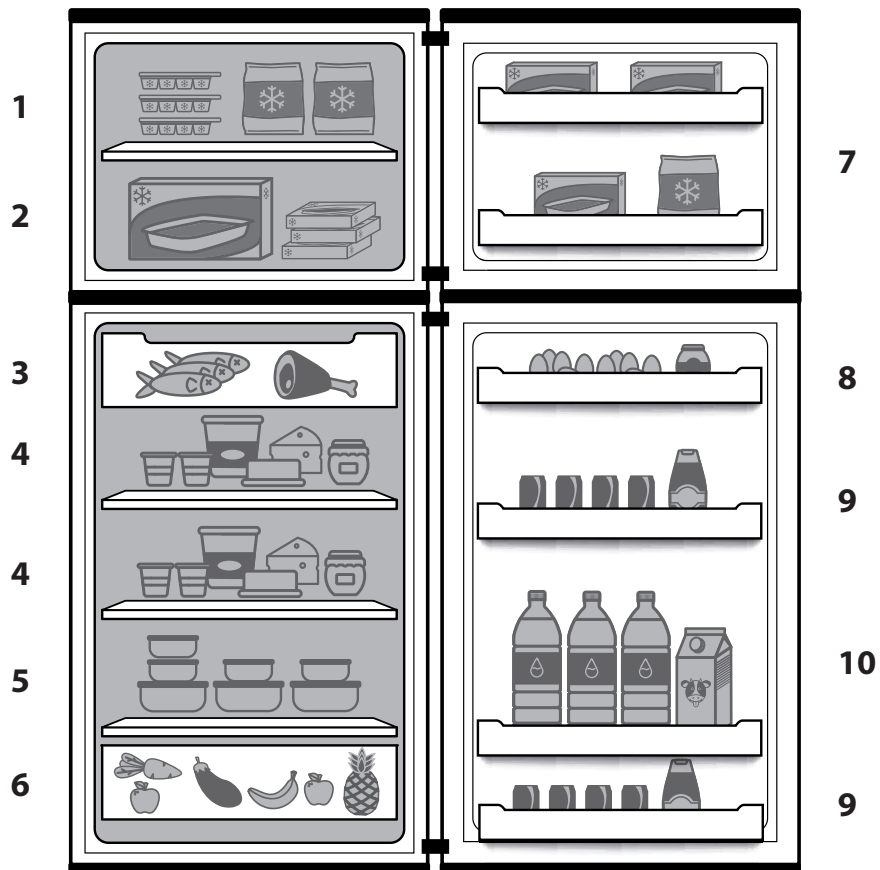
(The picture above is only for reference. The actual configuration will depend on the physical product or statement by the distributor)

Adjusting procedures:

- a. Turn the feet clockwise to raise the refrigerator;
- b. Turn the feet counterclockwise to lower the refrigerator;
- c. Adjust the right and left feet based on the procedures above to a horizontal level.

2.3 Proper storage of food

Refer to the following instructions for storing food in fridge and freezer compartments.

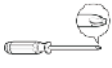
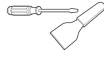




1. Making ice cubes
2. Storage of frozen food
3. Fresh compartment: meat, cold cuts, fish ("sensitive" food to be consumed quickly)
4. Dairy products, cheeses
5. Simmered dishes
6. Fruits and vegetables
7. Individual small frozen food trays
8. Butter, eggs
9. Small foods, cans, condiments
10. Bottles and other drinks

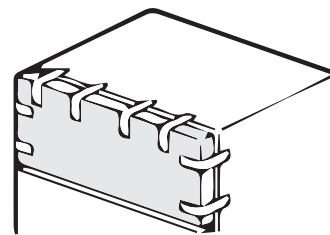


Refrigerated room storage items, please keep a certain distance from the air outlet; So as not to cause storage items frostbite damage;

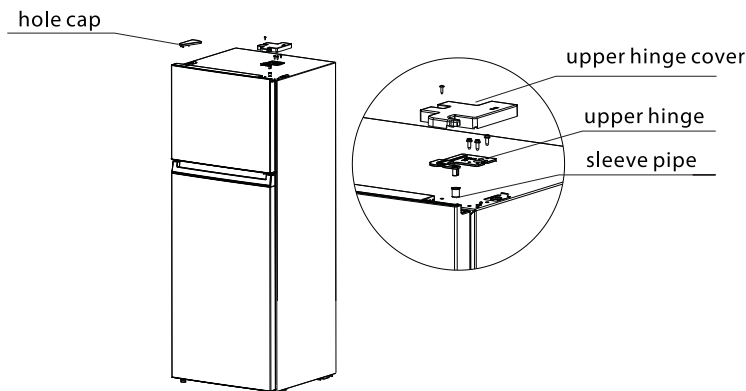
2.4 Door right-left change (optional)

List of tools to be provided by the user			
	Philips screwdriver (Use to remove and fasten Philips screw)		Putty knife thin-blade screwdriver (Use to remove hole cap, upper hinge cover)
	5/16" socket and ratchet (Use to remove and fasten hex screws)		Tape (Use to temporary fix door)

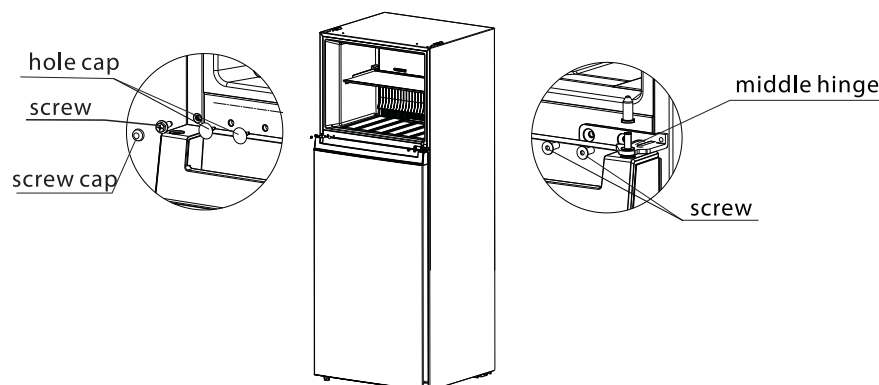
- 1) Please power off this appliance, before conduct this operation. Remove all food from the inner door liner. Tape the door shut with masking tape.



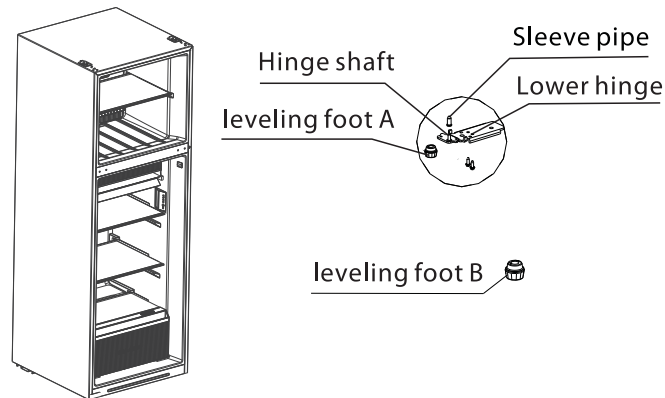
- 2) Remove hole cap, the upper hinge cover, fitting screws of upper hinge, upper hinge and sleeve pipe, then uplift the freezer compartment door until it is separated from cabinet completely.



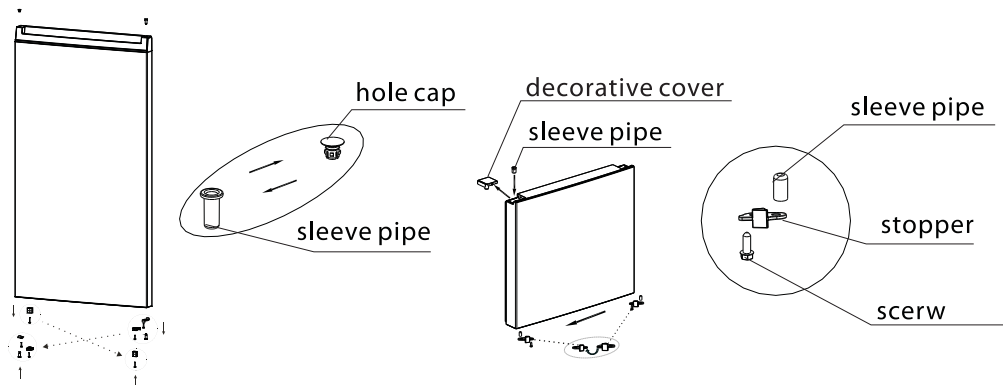
- 3) Remove the hole cap, fitting screws of middle hinge and middle hinge, and remove hole cap, screw and screw cap on the other side then uplift the refrigerator compartment door until it is separated from cabinet completely.



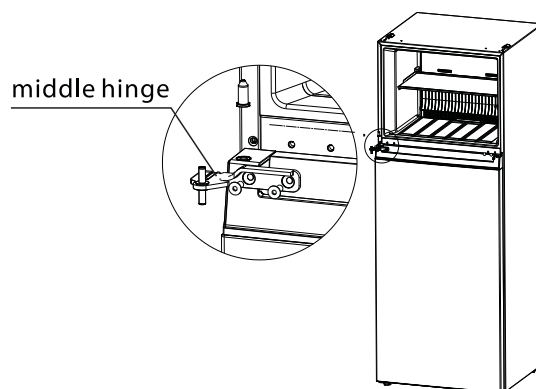
4) Install the hinge shaft and sleeve pipe to the left hole of the lower hinge, and then the lower hinge to the left corner of the refrigerator, then leveling foot A according to the position shown in the Figure, and finally the leveling foot B to the right lower corner of the refrigerator.



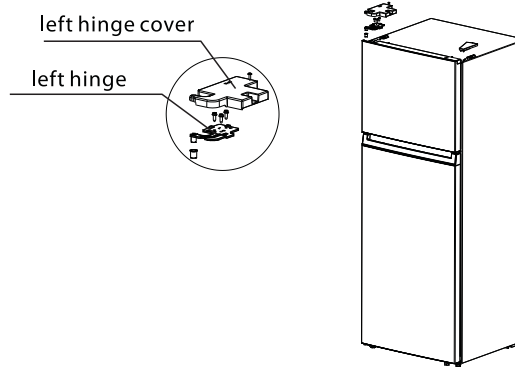
5) Dismantle the stoppers, sleeve pipes of both refrigerator compartment door and freezer compartment door, install them on the other side of both doors; exchange the installation position of sleeve pipe and hole cap on upper end cap of refrigerator compartment door; remove the left decorative cover of freezer compartment door, and move the sleeve pipe from right side to left side.



6) Install the refrigerator compartment door on the lower hinge and then install the middle hinge, screws and caps.



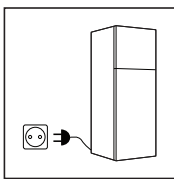
7) Take out the left hinge, left hinge cover, and right decorative cover from the accessory bag, install the freezer door on the middle hinge, and install the left hinge, left hinge cover. Finally, install the right decorative cover on right side of end cap of freezer door.



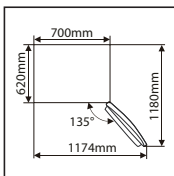
2.5 Changing the Light

Any replacement or maintenance of the LED lamps is intended to be made by the manufacture, its service agent or similar qualified person.

2.6 Starting



- Before initial start, keep the refrigerator still for two hours before connecting it to power supply.
- Before putting any fresh or frozen foods, the refrigerator shall have run for 2-3 hours, or for above 4 hours in summer when the ambient temperature is high.



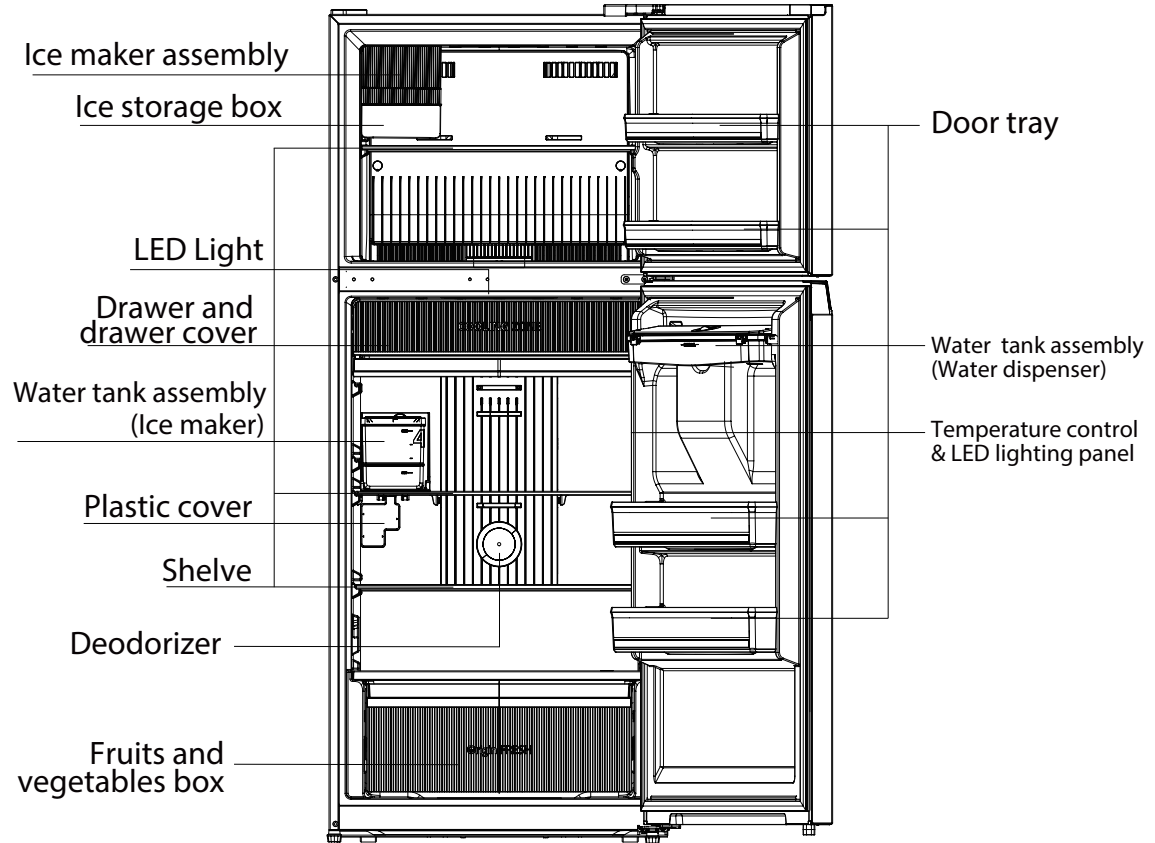
- Spare enough space for convenient opening of the doors and drawers or spare statement by the distributor.

2.7 Energy saving tips

- The appliance should be located in the coolest area of the room, away from heat producing appliances or heating ducts, and out of the direct sunlight.
- Let hot foods cool to room temperature before placing in the appliance. Overloading the appliance forces the compressor to run longer. Foods that freeze too slowly may lose quality, or spoil.
- Be sure to wrap foods properly, and wipe containers dry before placing them in the appliance. This cuts down on frost build-up inside the appliance.
- Appliance storage bin should not be lined with aluminum foil, wax paper, or paper toweling. Liners interfere with cold air circulation, making the appliance less efficient.
- Organize and label food to reduce door openings and extended searches. Remove as many items as needed at one time, and close the door as soon as possible.

3. Structure and functions

3.1 Key components



(The picture above is only for reference. The actual configuration will depend on the physical product or statement by the distributor)

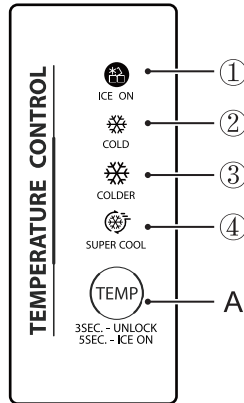
Refrigerating chamber

- The Refrigerating chamber is suitable for storage of a variety of fruits, vegetables, beverages and other food consumed in the short term.
- Cooking foods shall not be put in the refrigerating chamber until cooled to room temperature.
- Foods are recommended to be sealed up before putting into the refrigerator.
- The glass shelves can be adjusted up or down for a reasonable amount of storage space and easy use.

Freezing chamber

- The freezing chamber may keep food fresh for a long time and it is mainly used to store frozen foods and making ice.
- The freezing chamber is suitable for storage of meat, fish, rice balls and other foods not to be consumed in short term.
- Chunks of meat are recommended to be divided into small pieces for easy access.
- Please be noted food shall be consumed within the shelf time.

3.2 Functions



(The picture above is only for reference. The actual configuration will depend on the physical product or statement by the distributor)

1) Operation button

A: Refrigerator temperature setting keys

2) Control panel

- 1: setting 1: ICE ON
- 2: setting 2: COLD (weak)
- 3: setting 3: COLDER (strong)
- 4: setting 4: SUPER COOL (fast cooling)

3) Display

When electrify the refrigerator for first time, all keys on the display light up fully for 3 seconds, and then the refrigerator runs according to setting 3. In case of a failure, the corresponding LED blinks.

Control Panel	Fault Description
Indicator setting 4 and setting 3	Cold sensor failure
Indicator setting 4 and setting 2	Defrost sensor failure
Indicator setting 4 and setting 1	Ambient temperature sensor fault
Indicator setting 3 and setting 2	Ice maker bottom sensor failure
Indicator setting 3 and setting 1	Ice maker failure or ice separation failure

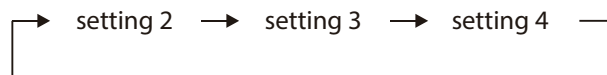
4) Temperature setting

a) For the first time power on, all indicators will flash for 3 seconds. Then the normal operation displays. Lights on when the door opens; lights off when the door closes; (The setting temperature for the first-time power on is COLDER).

b) Fault code displays when there is a fault (cycle display);

The setting temperature of the refrigerator is displayed when there is no fault.

Each time the temperature setting button A is pressed once, the temperature setting changes one time. After the temperature setting has been completed, the refrigerator will run according to the set after 15s. The shift regulation is:



5) Lock / Unlock

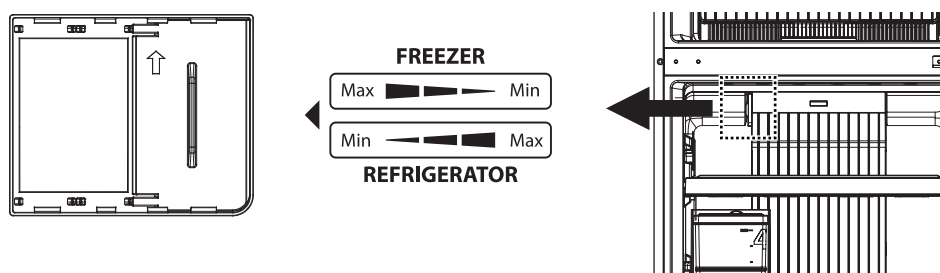
a) When the key is locked, press and hold the refrigerator temperature adjustment key for 3 seconds to unlock, and the four gear lights flash simultaneously for 2 seconds after unlocking.

b) When the key is in the unlocked state, 15 seconds after there is no key operation, the key is locked and the set value takes effect.

6) Ice maker switch

After unlocking, press the temperature setting key for 5 seconds to switch the ice maker switch. When the ICE ON indicator light is on, it means the ice maker is on; when off, the ice maker is off.

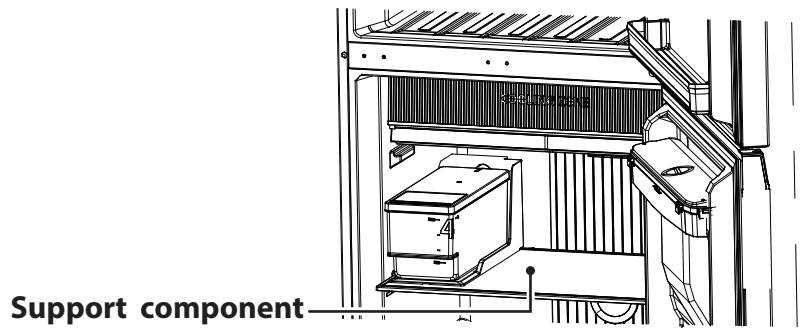
7) Damper adjusting slider



The damper adjustment slider is located on the left side of the duct at the back of the drawer. The initial position of the damper adjustment slider is positioned at the right edge. If you move to the left, there is a possibility that the temperature in the refrigeration chamber will increase, so it is usually recommended to keep it as is. The ambient temperature is low, the temperature of the freezing chamber is not detected, when the temperature of the freezing chamber rises, adjusting the damper adjustment the damper adjustment slider may resolve the issue.

NOTE:

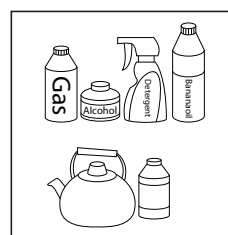
- **The support component is a functional part of the refrigerator. It is not supported by the user to disassemble it, if you disassemble it will affect the normal use of the refrigerator. If you need to disassemble it, please contact the distributor or local service agent.**



4. Maintenance and care of the appliance

4.1 Overall cleaning

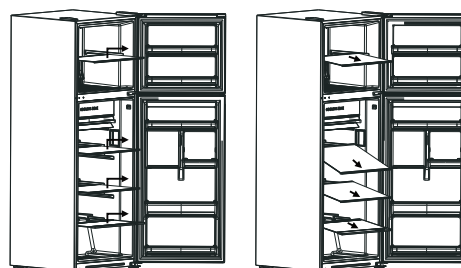
- Check the door seals regularly to make sure there are no debris. Clean the door seals with a soft cloth dampened with soapy water or diluted detergent.
- The interior of the refrigerator should be cleaned regularly to avoid odor.
- Please turn off the power before cleaning interior, remove all foods, drinks, shelves, drawers, etc.
- Use a soft cloth or sponge to clean the inside of the refrigerator, with two tablespoons of baking soda and a liter of warm water. Then rinse with water and wipe clean. After cleaning, open the door and let it dry naturally before turning on the power.
- For areas that are difficult to clean in the refrigerator (such as narrow sandwiches area, gaps or corners), it is recommended to wipe them regularly with a soft rag, soft brush, etc. and when necessary, combined with some auxiliary tools (such as thin sticks) to ensure no contaminants or bacterials accumulation in these areas.
- Do not use soap, detergent, scrub powder, spray cleaner, etc., as these may cause odors in the interior of the refrigerator or contaminated food. Clean the door tray, shelves and drawers with a soft cloth dampened with soapy water or diluted detergent. Dry with a soft cloth or dry naturally.
- Do not use hard brushes, wire wool, wire brushes, abrasives (such as toothpastes), organic solvents (such as alcohol, acetone, banana oil, etc.), boiling water, acid or alkaline items, which may damage the fridge surface and interior. Boiling water and organic solvents such as benzene may deform or damage plastic parts.
- Do not rinse directly with water or other liquids during cleaning to avoid short circuits or affect electrical insulation after immersion.



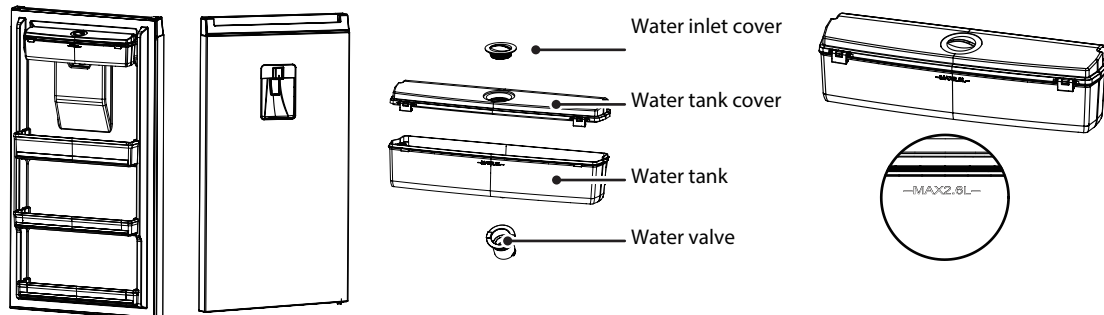
Please unplug the refrigerator for defrost and cleaning.

4.2 Cleaning the glass shelf

- Lift up the rear of the glass shelf slightly and pull it out.
- Slightly tilt the glass shelf down wards and take it out.
- Take out the glass shelf and clean it as needed.
- Install the glass shelf in the reverse method of the removal.



4.3 Usage of water dispenser



(The picture above is only for reference. The actual configuration will depend on the physical product or statement by the distributor)

- 1) Please clean the water tank before use.
- 2) First open Water inlet cover, fill with drinking water to "MAX" marked as the maximum amount of water.
- 3) Use the cup to push the trigger to the inside, the water will flow out, when then trigger back to the original position, the water stops.
- 4) Water dispenser can only be used for potable water, not suitable for liquids other than potable water such as juices.
- 5) If the water supply system of the water dispenser is not used for 2-3 days, discard the water pressed out for the first time, it may have smell or dust.
- 6) If you do not use the water dispenser system for about 2 weeks, discard the water in the water tank. The water in the water tank may have been contaminated.
- 7) Be sure to use a soft wet cloth or sponge for cleaning, and rinse the parts to be rinsed with clean water. (To avoid mold, water rust, etc.) Do not use the following items: detergent, bleach, abrasive powder, brush, diluent, gasoline, etc. (Otherwise, peculiar smell or malfunction may be caused).

Tips: Please do not remove the water tank from the door directly for water filling.

4.4 Defrosting

- The refrigerator is made based on the indirect cooling system and thus has automatic defrosting function. Frost formed due to change of season or temperature may also be manually removed by disconnection of the appliance from power supply or by wiping with a dry towel.

4.5 Out of operation

- Power failure: In case of power failure, even if it is in summer, foods inside the appliance can be kept for several hours; during the power failure, the times of door opening shall be reduced, and no more fresh food shall be put into the appliance.
- Long-time nonuse: The appliance shall be unplugged and then cleaned; then the door are left open to prevent odor.



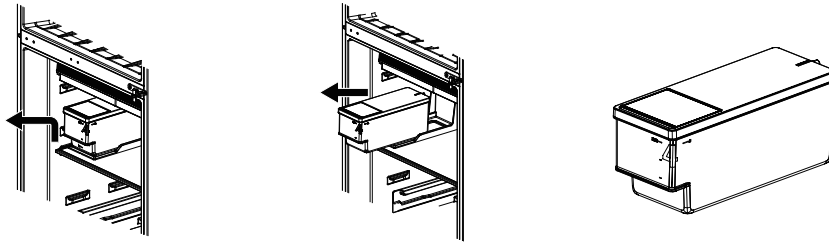
The appliance shall run continuously once it is started. Generally, the operation of the appliance shall not be interrupted; otherwise the service life may be impaired.

4.6 Precautions for the use of ice maker

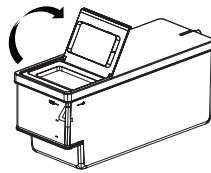
1) Instructions for using and adding water to the water tank of ice make

- Water source: bottled purified water or potable water.
- Water adding steps:

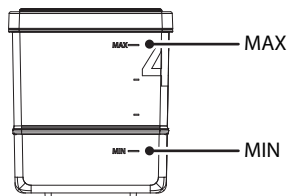
a) Lift up and pull out the water tank of ice maker in the refrigerator, with the water filling port vertically upward, and the water tank placed flat on the stable surface.



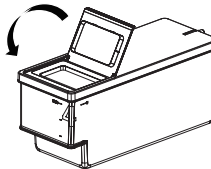
b) Open the water filling cover.



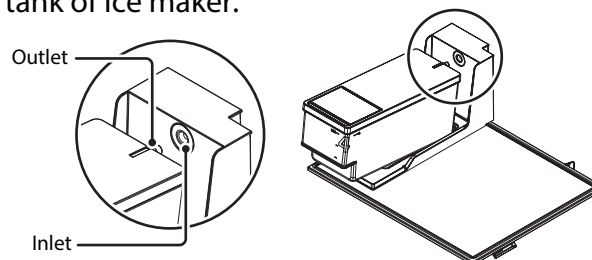
c) Bottled water or potable water shall not exceed the maximum water level mark MAX-4L or be lower than the minimum water level mark MIN.



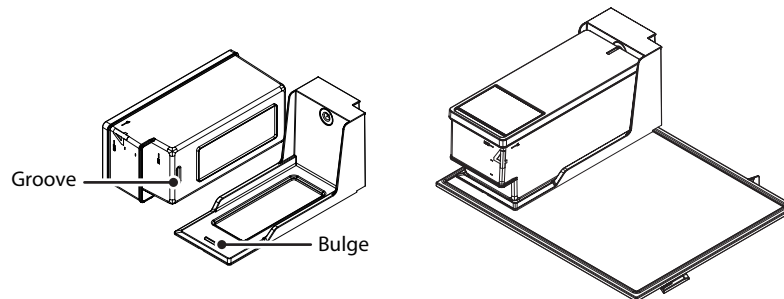
d) Close the water filling cover.



e) Push the water tank into the refrigerator in parallel, fully push the water outlet nozzle of the water tank to the circular water inlet, and clip the groove at the bottom of the water tank into the base bulge to ensure the accurate pushing position of the water tank of ice maker.



f) Snap the groove at the bottom of the water tank into the protrusion of the base to ensure that the water tank of the ice maker is pushed in the correct position.



NOTE:

Drinks, hot water, coffee, etc. are not allowed to be added to the water tank of ice maker.

- When disassembling the water tank used in the ice maker, a small amount of water will spill onto the glass shelf. When water spills, wipe dry with a soft cloth.
- Drinks, hot water, coffee, etc. are not allowed to be added to the water tank of ice maker. It may cause system failure and water leakage.
- Please clean the water tank before use.
- Do not remove the water tank bracket or damage the water pipe. It may cause system failure and water leakage.
- Discard the drained water (about 5 cups) and ice (about 30 pieces) from the first use. It may contain impurities.
- Ensure that the water outlet of the ice maker water tank and the inlet of the water tank bracket are fully inserted. Incomplete insertion may cause system failure or water leakage.
- If the water supply system of the ice maker is not used for 2-3 days, discard the ice in first use, which may have smell or dust.
- If you do not use the ice maker system for about 2 weeks, discard the water in the water tank. The water in the water tank may have been contaminated.
- It is recommended that you supplement appropriate purified water to the water tank of ice maker within 2-3 days. The purified water can also be added to the water tank of ice maker according to the actual amount of ice cubes used. The water volume shall be kept within the normal range, not exceeding the maximum level MAX and not lower than the minimum level MIN.

2) Notes for use of ice maker

• Ice making time and ice storage capacity

Generally, each ice making time is 100min. 100g ice can be made each time, about 10 ice cubes. (The ambient temperature is 25 °C and the door is not opened or closed).

The ice storage box can be full after 8-10 times ice making, with 80-100 ice cubes. The ice making time may be extended due to different running states of the refrigerator.

- **The ice making time may be extended in the following situations**

Freezing chamber is not fully cooled at the beginning of use.

The temperature is low in winter or the ambient temperature is high in summer.

The door is opened and closed more times; or more food is put in at one time.

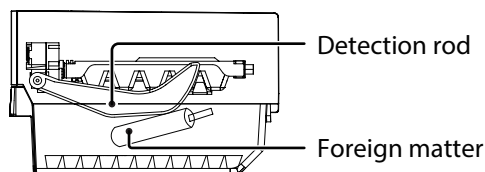
The space around the refrigerator is too narrow.

- **Notes for ice making**

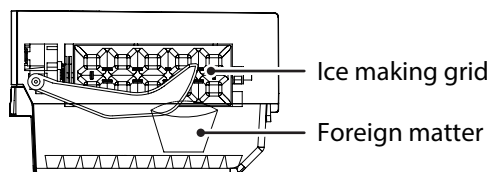
The ice detection rod of this ice maker will continue to make ice before touching the ice; when the ice detection rod touches the ice in the ice storage box, the ice making process stops. At this time, ice storage box is full of ice.

- **The following situation may prevent the ice from being made even though there is water in the water tank:**

a) Foreign matters other than ice cubes in the ice storage box contact the detection rod.

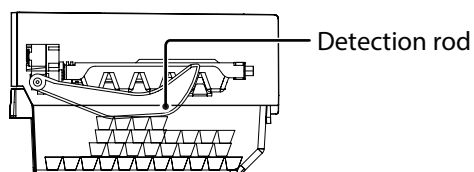


b) Foreign matters other than ice cubes in the ice storage box cause collision or ice making stop when the ice making grid is overturned.



- **The following situation may reduce the amount of ice made:**

Some ice cubes piling up in some areas may hit the detection rod too early, leading to ice making being stopped when ice making is insufficient.



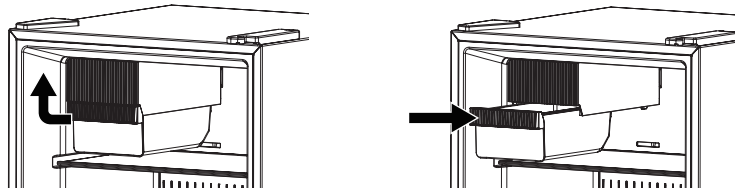
To solve this problem, please avoid storing other items in the ice storage box and stack the ice cubes evenly in ice storage box.

4.7 Use and cleaning of ice storage box

The ice in the ice storage box may be lumped or the outlet may be blocked for other reasons. In such cases, the ice storage container needs to be cleaned or to remove the blockage.

Please clean the ice storage box before use.

- Pull out the ice storage box horizontally according to the arrow direction in the figure below, and then lift up to take out the ice storage box.
- After taking out the ice storage box or cleaning, push the ice storage box horizontally according to the arrow direction in the figure below.



Warning :

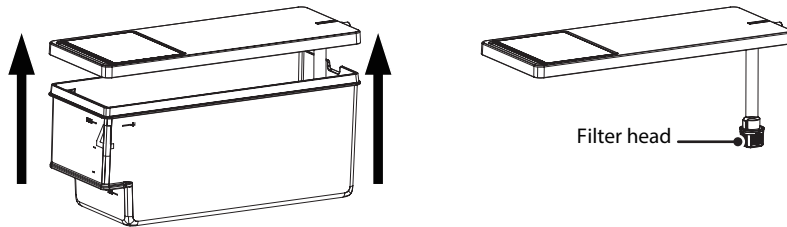
- When using the ice maker, do not put anything other than ice cubes in the ice storage box. Putting something other than ice will cause collision damage or ice making stop when the ice making grid is overturned.
- If you need to store other items in the ice storage box, please stop using the ice making function.
- When the ice making function is enabled again, please remove other items in the ice storage box and clean the ice storage box.
- When putting other items into the ice storage box, please be careful of high items to avoid jamming the ice maker.
- If not used for a long time, the ice cubes in the ice storage box, ice maker, should be discarded.
- Be sure to use a soft wet cloth or sponge for cleaning, and rinse the parts to be rinsed with clean water. (To avoid mold, water rust, etc.) Do not use the following items: detergent, bleach, abrasive powder, brush, diluent, gasoline, etc. (Otherwise, peculiar smell or malfunction may be caused.)
- Do not disassemble, modify, or repair the automatic ice maker in the freezer by yourself.
- Do not touch the ice making part of the automatic ice maker with your hands (upper side of the ice-making box.)

4.8 Cleaning of water tank and water way of ice maker

If the ice making function is not used for a period of time, please clear the ice block in the ice storage box before using again; make full ice once, and then empty the ice storage box again to use it normally.

If the water intake function on the door is not used for a period of time, please replace the drinking water in the water tank before reuse; press the two cups and pour it off, and then press to take water normally.

- Open the ice maker water tank cover upward; after the cover assembly and water box are separated, clean the box and cover assembly respectively, and clean with brush or other tool filter head.



(The picture above is only for reference. The actual configuration will depend on the physical product or statement by the distributor)

Warning :

- If it is not installed in place, water supply and ice making will not start, or the water supply pump will make noise.
- Be sure to use a soft wet cloth or sponge for cleaning, and rinse the parts to be rinsed with clean water. (To avoid mold, water rust, etc.) Do not use the following items: detergent, bleach, abrasive powder, brush, diluent, gasoline, etc. (Otherwise, peculiar smell or malfunction may be caused.)

5. Trouble shooting

- Please try to solve the following simple problems by yourself.
If they cannot be solved, please contact the after-sales department.

Occurrence	Possible cause / inspection items
Operation failure	Check whether the appliance is connected to power or whether the plug is in well contact. Check whether the voltage is too low. Check whether there is a power failure or partial circuits have tripped.
Odor	Odorous foods shall be tightly wrapped. Check whether there is any rotten food. Clean the inside of the refrigerator.
Long-time operation of the compressor	Long operation of the refrigerator is normal in summer when the ambient temperature is high. It is not suggestible having too much food in the appliance at the same time. Food shall get cool before being put into the appliance. The doors are opened too frequently.
Lighting failure	Check whether the refrigerator is connected to power supply and whether the illumination light is damaged. Have the light replaced by a specialist.
Closing door failure	The doors is stuck by food packages. Too much food is placed the refrigerator is tilted.
Loud noise	Check whether the floor is level and whether the refrigerator is placed on stable ground. Check whether accessories are placed at proper locations.
Door is not properly sealed	Remove foreign matters on the door seal, Heat the door seals and then cool it for restoration. (or blow it with an electrical drier or use a hot towel for heating)
Overflowing water from pan	There is too much food in the freezing chamber or food stored contains too much water, resulting in heavy defrosting. The doors are not closed properly, resulting in frosting due to entry of air and increased water due to defrosting.
Hot cabinet	Heat dissipation of the built-in condenser via the cabinet, which is normal. When cabinet becomes too hot due to high ambient temperature, or storage of too much food, compressor shutdown. Ensure ventilation to facilitate heat dissipation.
Surface condensation	Condensation on the exterior surface and door seals of the refrigerator is normal, when the ambient humidity is too high. Wipe the condensate with a clean towel.
Abnormal noise	Buzz: The compressor may produce buzzes during operation, and the buzzes are loud particularly upon start or stop, which is normal. Creak: Refrigerant flowing inside of the appliance may produce creak, which is normal.

6. Disposal of your appliance



Correct Disposal of this product:

This marking indicates that this product should not be disposed with other house hold wastes throughout the EU. To prevent possible harm to the environment or human health from uncontrolled waste disposal, recycle it responsibly to promote the sustainable reuse of material resources. To return your used device, please use the return and collection system or contact the retailer where the product was purchased. They can take this product for environmental safe recycling.

AMBIENT TEMPERATURE

This appliance is designed to operate in ambient temperature specified by its category marked on the rating plate.

Climate category	Ambient temperature (from...to...)
SN	+10°C to +32°C
N	+16°C to +32°C
ST	+16°C to +38°C
T	+16°C to +43°C

TOSHIBA CONSUMER PRODUCTS (THAILAND) CO., LTD.
144/1 Moo 5, Bangkadi Industrial Park,
Tivanon Road, Tambol Bangkadi, Amphur Muang,
Pathumthani 12000, Thailand.
MADE IN THAILAND