

# USER MANUAL

## REFRIGERATOR FREEZER

For Home Use Only

GR-RB410WE-PM\*(\*\*)



**TOSHIBA**

# CONTENTS

---

<b>1. Safety warnings</b>	<b>1</b>
<b>2. Proper use of the refrigerator</b>	<b>8</b>
<b>3. Structure and functions</b>	<b>11</b>
<b>4. Maintenance and care of the refrigerator</b>	<b>17</b>
<b>5. Trouble shooting</b>	<b>21</b>
<b>6. Disposal of your appliance</b>	<b>22</b>

- Thank you very much for purchasing this Toshiba product.
- Read this user manual and become completely familiar with the product before use in order to use this product safely and correctly.
- Keep this user manual in a handy place for future reference.
- Make sure that you received your warranty.

# 1. Safety warnings

---

## READ SAFETY PRECAUTIONS BEFORE INSTALLATION

To prevent injury to the user or other people and property damage, the following instructions must be followed. Incorrect operation due to ignoring of instructions may cause harm or damage.

### 1.1 Warning

#### **WARNING**



Warning : risk of fire / flammable materials

- **WARNING:** Risk of fire disaster and explosion  
The refrigerant of the appliance is flammable, please be care not to damage the cooling pipes during installation and transportation.  
If gas leakage happens, please contact the distributor or local service agent, and the following precautions should be always taken:
  1. Open the windows for ensuring good ventilation.
  2. No fire around and please do not use other electric appliance.
- This appliance is intended to be used in household and similar applications such as staff kitchen areas in shops, offices and other working environments; farm houses and by clients in hotels, motels and other residential type environments; bed and breakfast type environments; catering and similar non-retail applications.
- Children should be supervised to ensure that they do not play with the appliance.
- **WARNING:** Risk of fire disaster and electric shock  
The power cord should be replaced when it has been damaged.  
Please contact the distributor or local service agent for replacement.
- Please unplug the power plug from socket when clean the appliance or leave the appliance nonuse for a long time.
- Do not use extension cord or ungrounded (two prong) adapters.
- **WARNING:** Keep ventilation openings, in the appliance enclosure or in the built-in structure, clear of obstruction.
- **WARNING:** Do not use mechanical devices or other means to accelerate the defrosting process, other than those recommended by the manufacturer.
- **WARNING:** Do not damage the refrigerant circuit.

- 
- **WARNING:** Do not use electrical appliances inside the food storage compartments of the appliance, unless they are of the type recommended by the manufacturer.
  - **WARNING:** Please abandon the refrigerator according to local regulators for its use of flammable cyclopentane foaming material and refrigerant.
  - **WARNING:** When positioning the appliance, ensure the supply cord is not trapped or damaged.
  - **WARNING:** Do not locate multiple portable socket-outlets or portable power supplies at the rear of the appliance.
  - **WARNING:** Please fill with potable water only. Please do not fill with hot water or liquids other than potable water such as juices.
  - **DANGER:** Risk of child entrapment. Before you throw away your old refrigerator or freezer:
    - Remove doors and door seals.
    - Leave the shelves in place so that children may not easily climb inside.
  - The refrigerator must be disconnected from the source of electrical supply before attempting the installation of accessory.
  - Refrigerant and cyclopentane foaming material used for the refrigerator are flammable. Therefore, when the refrigerator is scrapped, it shall be kept away from any fire source and be recovered by a special recovering company with corresponding qualification other than be disposed by combustion, so as to prevent damage to the environment or any other harm.
  - This appliance can be used by children aged from 8 years old or above and persons with reduced physical sensory or mental capabilities or lack of experience and knowledge if they have been given supervision or instruction concerning use of the appliance in a safe way and understand the hazards involved.

Children shall not play with the appliance.

Cleaning and user maintenance shall not be made by children without supervision.
  - This appliance is not intended for use by persons (including children) with reduced physical, sensory or mental capabilities, or lack of experience and knowledge, unless they have been given supervision or instruction concerning use of the appliance by a person responsible for their safety.
  - Please do not use the appliance on transportation tools (such as ship and so on).

- 
- If noise, odor and smoking happens, please unplug the power plug immediately, and contact the distributor or local service agent.
  - Please do not put your hands under or behind the appliance to prevent from being hurt.
  - Please leave the packing materials and other parts out of the reach of children to prevent from risk of suffocation.
  - To avoid contamination of food, please respect the following instructions:
    - Opening the door for long periods can cause a significant increase of the temperature in the compartments of the appliance.
    - Clean regularly surfaces that can come in contact with food and accessible drainage systems.
    - Clean water tanks if they have not been used for 48h; flush the water system connected to a water supply if water has not been drawn for 5days. (note 1)
    - Store raw meat and fish in suitable containers in the refrigerator, so that it is not in contact with or drip onto other food.
    - Two-star **\*\*** compartments are suitable for storing pre-frozen food, storing or making ice-cream and making ice cubes. (note 2)
    - One -star **\***, two-star **\*\***, three-star **\*\*\*** compartments are not suitable for the freezing of fresh food. (note 3)
    - If the refrigerating appliance is left empty for long periods, switch of, defrost, clean, dry, and leave the door open to prevent mould developing within the appliance.
  - Note 1,2,3: Please confirm whether it is applicable according to your product compartment type.
  - For a freestanding appliance: this refrigerating appliance is not intended to be used as a built-in appliance.

## 1.2 Meaning of safety warning symbols



**Prohibition symbol**

### **This is a prohibition symbol.**

Any in compliance with instructions marked with this symbol may result in damage to the product or endanger the personal safety of the user.



**Mandatory action symbol**

### **This is a mandatory action symbol.**

It is required to operate in strict observance of instructions marked with this symbol, otherwise damage to the product or personal injury may be caused.



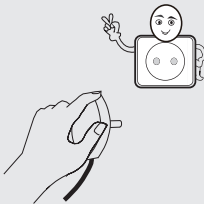
**Cautioning symbol**

### **This is a cautioning symbol.**

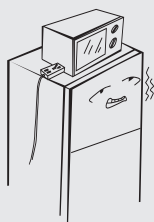
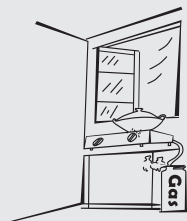
Instructions marked with this symbol require special caution. Insufficient caution may result in slight or moderate injury, or damage to the product.

This manual contains lots of important safety information which shall be observed by the users.

## 1.3 Electricity related warnings

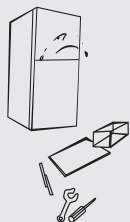


- Do not pull the power cord when pulling the power plug of the refrigerator.  
Please firmly grasp the plug and pull out it from the socket directly.
- To ensure safe use, do not damage the power cord and do not use the power cord when it is damaged or worn.
- Please do not touch the power plug with wet hand to prevent from electric shock.
- Please use a dedicated power socket and the power socket shall not be shared with other electrical appliances. The power plug should be firmly contacted with the socket or else fires might be caused.



- Please ensure that the grounding electrode of the power socket is equipped with a reliable grounding line.
- Please ask for help from persons with professional qualification to examine whether the socket is with reliable grounding line or not.
- It is the users' responsibility to change the ungrounded socket into grounded socket.
- Please turn off the valve of the leaking gas and then open the doors and windows in case of leakage of gas and other flammable gases. Do not unplug the refrigerator and other electrical appliances considering that spark may cause a fire.
- Do not use electrical appliances on the top of the appliance, unless they are of the type recommended by the manufacturer.

## 1.4 Warnings for using



- Do not arbitrarily disassemble or reconstruct the refrigerator, or damage the refrigerant circuit; maintenance of the appliance must be conducted by a specialist.
- Damaged power cord must be replaced by the manufacturer, its maintenance department or related professionals in order to avoid danger.
- The gaps between refrigerator doors and between doors and refrigerator body are small, be noted not to put your hand in these areas to prevent from squeezing the finger. Please close it gentle when close the refrigerator door to avoid falling contents.



- Do not pick foods or containers with wet hands in the freezing chamber when the refrigerator is operating, especially metal containers in order to avoid frostbite.
- Do not allow any child to get into or climb the refrigerator; otherwise suffocation or falling injury of the child may be caused.



- Please do not put heavy or dangerous objects on top of the appliance. (bottles, tableware, or something containing liquid)

## 1.5 Warnings for placement



- Do not put flammable, explosive, volatile and highly corrosive items in the refrigerator to prevent damages to appliances or stored articles or fire accidents.
- Do not place flammable items near the refrigerator to avoid fires.



- The refrigerator is intended for household use, such as storage of foods; it shall not be used for other purposes, such as storage of blood, drugs or biological products, etc.

Freezing chamber



- Do not store beer, beverage or other fluid contained in bottles or enclosed containers in the freezing chamber of the refrigerator; otherwise the bottles or enclosed containers may crack due to freezing to cause damage to appliances or stored articles.

---

## 1.6 Warnings for energy

- Refrigerating appliances might not operate consistently (possibility of defrosting of contents or temperature becoming too warm in the freezing chamber) when sited for an extended period of time below the cold end of the range of temperatures for which the refrigerating appliance is designed.
- Effervescent drinks should not be stored in food freezer compartments or containers or in low-temperature compartments or containers, and that should not be consumed too cold.
- Do not exceed the storage time(s) recommended by the food manufacturers for any kind of food and particularly for commercially quick-frozen food in food-freezer and frozen-food storage compartments or containers.
- To prevent an undue rise in the temperature of the frozen food while defrosting the refrigerating appliance, it should take precautions such as wrapping the frozen food in several layers of newspaper.
- A rise in temperature of the frozen food during manual defrosting, maintenance or cleaning could shorten the storage life.

## 1.7 Warnings for disposal



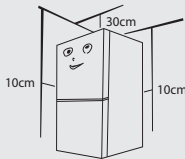
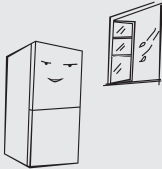
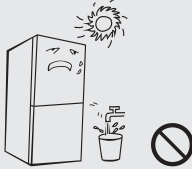
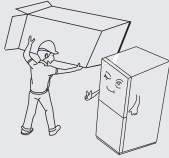
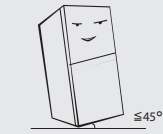
- Refrigerant and cyclopentane foaming material used for the refrigerator are flammable. Therefore, when the refrigerator is scrapped, it shall be kept away from any fire source and be recovered by a special recovering company with corresponding qualification other than be disposed by combustion, so as to prevent damage to the environment or any other harm.



- When the refrigerator is scrapped, disassemble the doors, and remove the seal; leave the shelves in a proper place, so as to prevent trapping of any child.

## 2. Proper use of the refrigerator

### 2.1 Placement



- Before initial start, keep the refrigerator still for two hour before connecting it to power supply.
- Before the refrigerator is moved, take all objects inside out, fix the glass shelves, freezing chamber drawers and etc. with tape, and tighten the leveling feet; close the doors and seal them with tape. During moving, the appliance shall not be laid upside down or horizontally, or be vibrated; the inclination during movement shall be no more than 45°.
- Before use, remove all packing materials, including bottom cushions, foam pads and tapes inside of the refrigerator; tear of the protective film on the doors and the refrigerator body. Keep away from heat and avoid direct sunlight. Do not place the appliances in moist or watery places to prevent rust or reduction of insulating effect.
- Do not spray of liquid and etc. or wash the refrigerator; do not put the refrigerator in moist places easy to be splashed with water so as not to affect the electrical insulation properties of the refrigerator.
- The refrigerator should placed in a well-ventilated indoor place; the ground shall be fat, and sturdy (rotate left or right to adjust the leveling feet for leveling if unstable).
- The top space of the refrigerator shall be greater than 30cm, and the refrigerator should be placed against a wall with a free distance more than 10cm to facilitate heat dissipation.



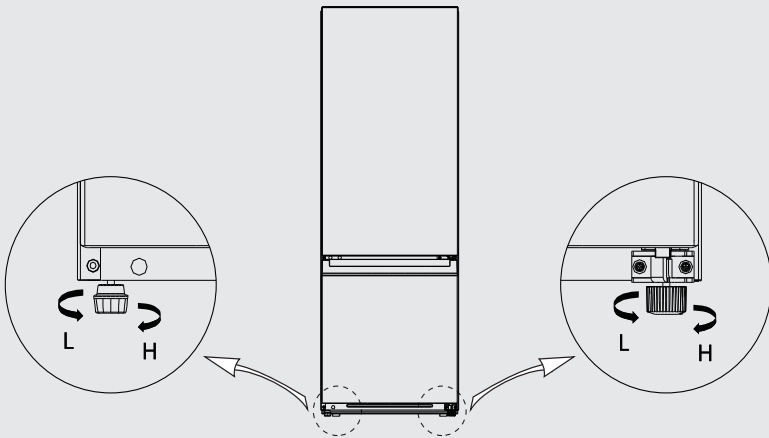
Precautions before installation:

Before installation or adjusting of accessories, it shall be ensured that the refrigerator is disconnected from power.

Precautions shall be taken to prevent drop out of the handle from causing any personal injury.

## 2.2 Leveling feet

Schematic diagram of the leveling feet



(The picture above is only for reference. The actual configuration will depend on the physical product or statement by the distributor)

Adjusting procedures:

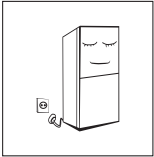
- Turn the feet clockwise to raise the refrigerator;
- Turn the feet counterclockwise to lower the refrigerator;
- Adjust the right and left feet based on the procedures above to a horizontal level.

---

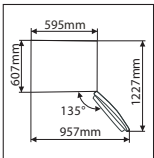
## 2.3 Changing the Light

Any replacement or maintenance of the LED lamps is intended to be made by the manufacture, its service agent or similar person.

## 2.4 Starting



- Before initial start, keep the refrigerator still for two hours before connecting it to power supply.
- Before putting any fresh or frozen foods, the refrigerator shall have run for 2-3 hours, or for above 4 hours in summer when the ambient temperature is high.



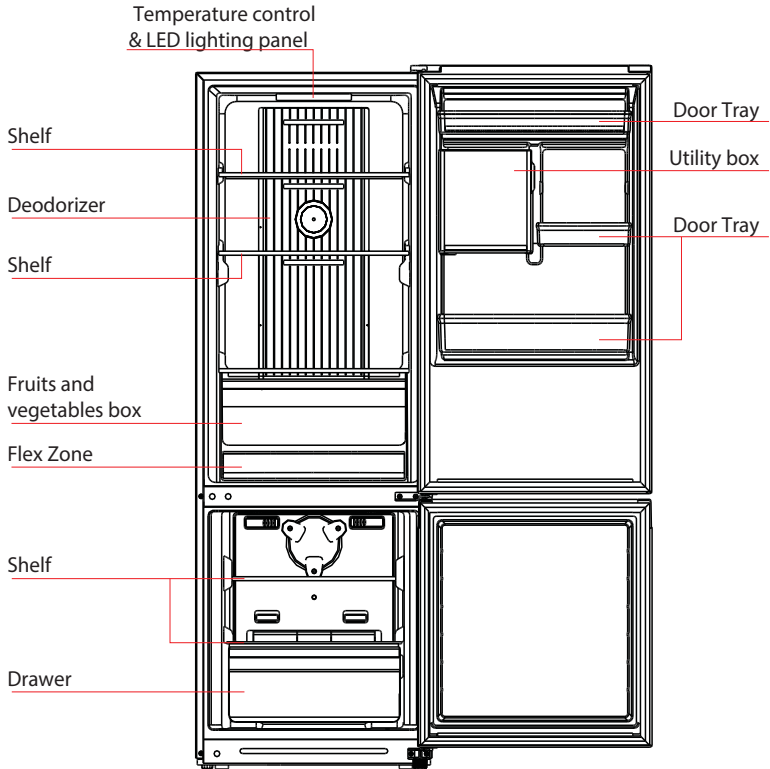
- Spare enough space for convenient opening of the doors and drawers or spare statement by the distributor.

## 2.5 Energy saving tips

- The appliance should be located in the coolest area of the room, away from heat producing appliances or heating ducts, and out of the direct sunlight.
- Let hot foods cool to room temperature before placing in the appliance. Overloading the appliance forces the compressor to run longer. Foods that freeze too slowly may lose quality, or spoil.
- Be sure to wrap foods properly, and wipe containers dry before placing them in the appliance. This cuts down on frost build-up inside the appliance.
- Appliance storage bin should not be lined with aluminum foil, wax paper, or paper toweling. Liners interfere with cold air circulation, making the appliance less efficient.
- Organize and label food to reduce door openings and extended searches. Remove as many items as needed at one time, and close the door as soon as possible.

### 3. Structure and functions

#### 3.1 Key components



(The picture above is only for reference. The actual configuration will depend on the physical product or statement by the distributor)

---

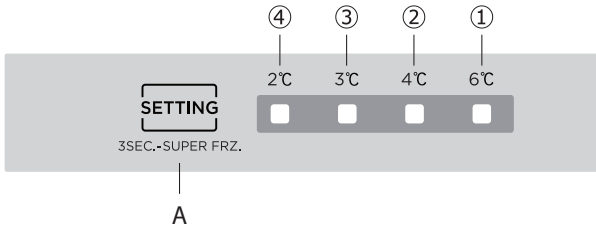
## **Refrigerating chamber**

- The Refrigerating chamber is suitable for storage of a variety of fruits, vegetables, beverages and other food consumed in the short term.
- Cooking foods shall not be put in the refrigerating chamber until cooled to room temperature.
- Foods are recommended to be sealed up before putting into the refrigerator.
- The glass shelf can be adjusted up or down for a reasonable amount of storage space and easy use.

## **Freezing chamber**

- The freezing chamber may keep food fresh for a long time and it is mainly used to store frozen foods and making ice.
- The freezing chamber is suitable for storage of meat, fish, rice balls and other foods not to be consumed in short term.
- Chunks of meat are recommended to be divided into small pieces for easy access.
- Please be noted food shall be consumed within the shelf time.

## 3.2 Functions



(The picture above is only for reference. The actual configuration will depend on the physical product or statement by the distributor)

1) Operation button

A : Temperature setting button of refrigerator compartment

2) Temperature control panel

LED ① : setting 1 (6 C)

LED ② : setting 2 (4 C)

LED ③ : setting 3 (3 C)

LED ④ : setting 4 (2 C)

3) Indicator

When electrify the refrigerator for rst time, all LEDs on the indicat or light up fully for 3 seconds, and then the refrigerator runs according to setting 2(4 C). In case of a failure, the corresponding LED blinks.

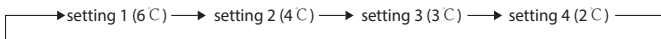
In case of no failure, it shows the current temperature setting of refrigerator.

Indication	Fault Description
LED ① blinks	Ambient temperature sensor failure
LED ③ blinks	Defrost sensor failure of freezer chamber
LED ④ blinks	Temperature sensor failure of refrigerating chamber

4) Temperature setting

Each time the temperature setting button A is pressed once, the temperature setting changes one time. After the temperature setting has been completed, the refrigerator will run according to the setting after 15s.

The shift regulation is:



5) Super freeze mode

Long press temperature setting button for 3s, after LED ② and LED ③ light up for 30s, it will enter into Super freeze mode. Long press temperature setting button for 3s, it will cancel Super freeze mode.

#### 6) Temperature adjustment knob for freezer chamber

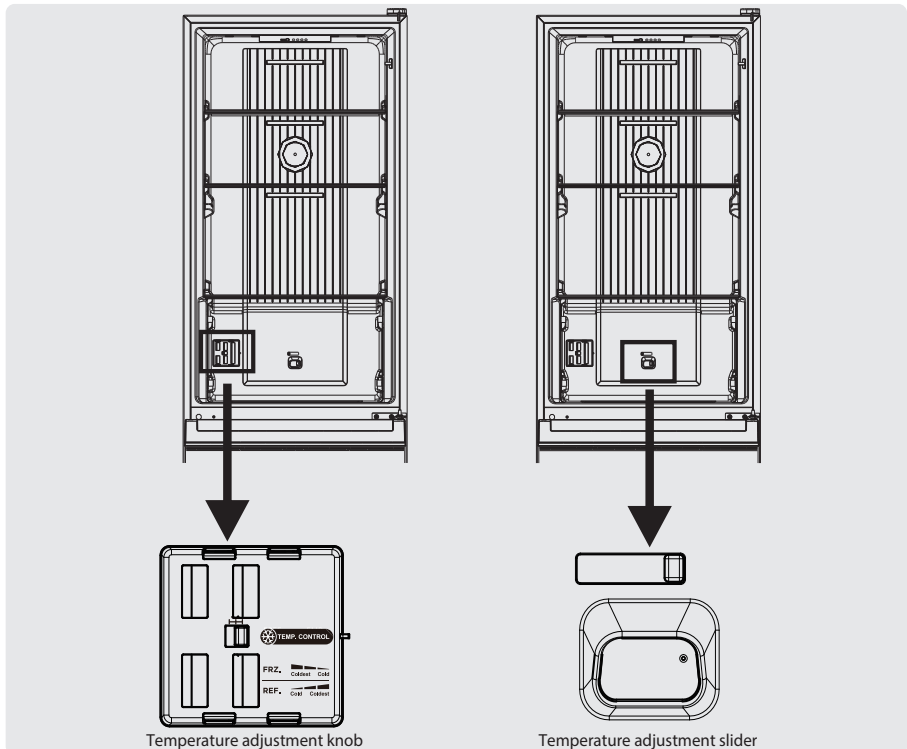
This knob is located at left side behind of Fruits and vegetables box. The initial position of this knob is positioned at right side.

If you move to left side, there is a possibility that temperature in the refrigeration chamber will increase, so it is usually recommended to keep it as is. The ambient temperature is low, the temperature of the freezing chamber is not detected, when the temperature of the freezing chamber rises, adjusting the Temperature adjustment knob may resolve the issue.

#### 7) Temperature adjustment slider for Flex Zone .

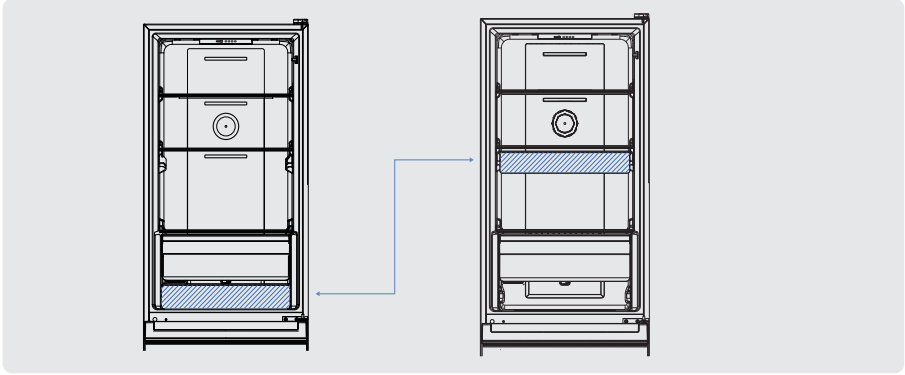
The slider can adjust the temperature of the Flex Zone which can realize the rapid cooling of meat and beverages. This slider is located at center behind of Fruits and vegetables box . The initial position of this slider is positioned at right side. If you move to left side, the temperature of Flex Zone reduce.

If you move to right side, the temperature of Flex Zone increases. You can adjust the temperature with position of this slider. When it is necessary to achieve rapid cooling of meat and beverages, it is recommended to set the refrigeration temperature to 2°C, and the slider is located on the far left side to achieve the best preservation and cooling .

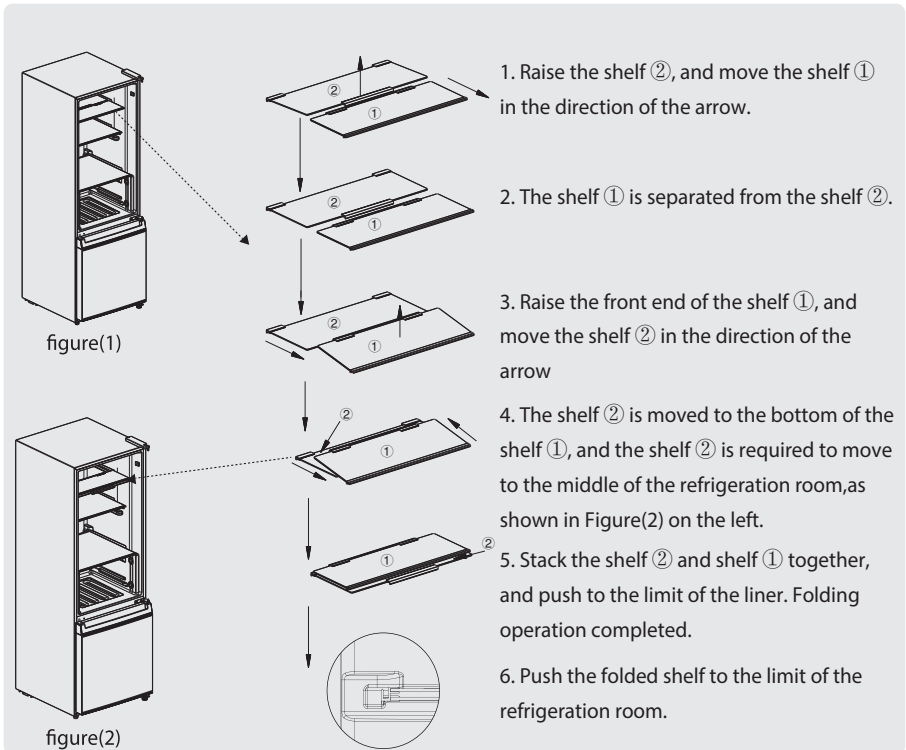


### 3.3 Flex Zone

Flex Zone can change position from left to right as shown in the figure below



### 3.4 Folding glass shelf

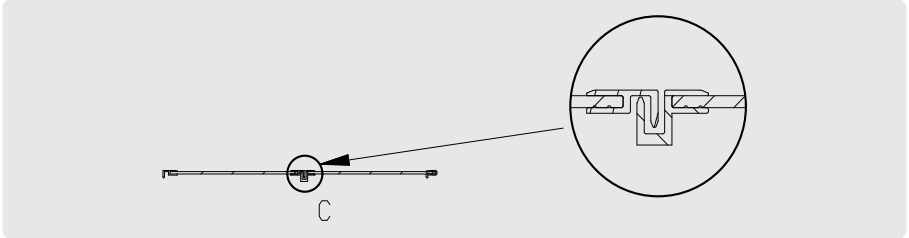


---

## Warning

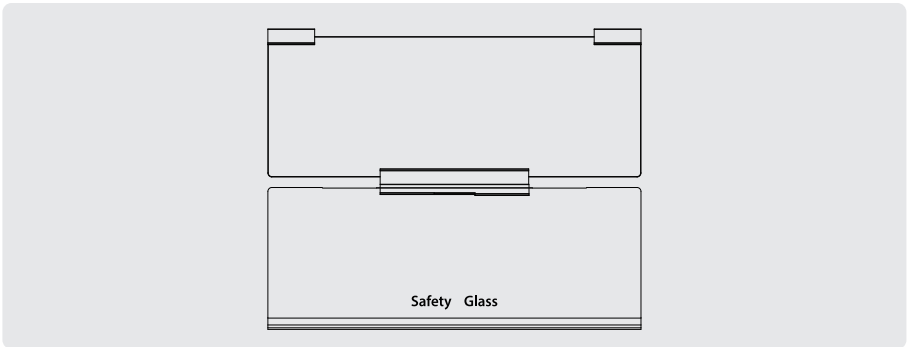
When reassembling shelf ① and shelf ②, make sure to connect the frames securely. If it is not securely connected, it may cause the shelves to fall off.

The state of the unfolded glass shelf is as follows:



The glass shelf is added with silk screen to distinguish the inside and outside, and the shelf with silk screen is located outside the refrigerated room.

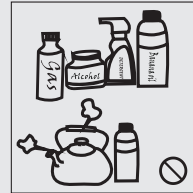
The silk screen position and style are shown in the figure below:



## 4. Maintenance and care of the refrigerator

### 4.1 Overall cleaning

- Check the door seals regularly to make sure there are no debris. Clean the door seals with a soft cloth dampened with soapy water or diluted detergent.
- The interior of the refrigerator should be cleaned regularly to avoid odor.
- Please turn off the power before cleaning interior, remove all foods, drinks, shelves, drawers, etc.
- Use a soft cloth or sponge to clean the inside of the refrigerator, with two tablespoons of baking soda and a liter of warm water. Then rinse with water and wipe clean. After cleaning, open the door and let it dry naturally before turning on the power.
- For areas that are difficult to clean in the refrigerator (such as narrow sandwiches area, gaps or corners), it is recommended to wipe them regularly with a soft rag, soft brush, etc. and when necessary, combined with some auxiliary tools (such as thin sticks) to ensure no contaminants or bacterials accumulation in these areas.
- Do not use soap, detergent, scrub powder, spray cleaner, etc., as these may cause odors in the interior of the refrigerator or contaminated food. Clean the door tray, shelves and drawers with a soft cloth dampened with soapy water or diluted detergent. Dry with a soft cloth or dry naturally.
- Do not use hard brushes, wire wool, wire brushes, abrasives (such as toothpastes), organic solvents (such as alcohol, acetone, banana oil, etc.), boiling water, acid or alkaline items, which may damage the fridge surface and interior. Boiling water and organic solvents such as benzene may deform or damage plastic parts.
- Do not rinse directly with water or other liquids during cleaning to avoid short circuits or affect electrical insulation after immersion.



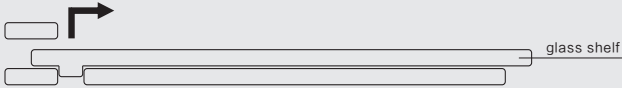
**Please unplug the refrigerator for defrost and cleaning.**

### 4.2 Defrosting

- The refrigerator is made based on the indirect cooling system and thus has automatic defrosting function. Frost formed due to change of season or temperature may also be manually removed by disconnection of the appliance from power supply or by wiping with a dry towel.

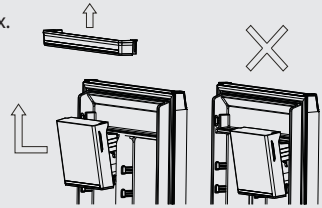
### 4.3 Cleaning the glass shelf

- Lift up the rear of the glass shelf slightly and pull it out.
- Fully open the door and take it out so that the inside of the door and the shelf do not bump.
- Take out the glass shelf and clean it as needed.
- Install the glass shelf in the reverse method of the removal.



### 4.4 Cleaning and use of utility box

- Take out the door tray in the upward side of the utility box.
- Lift the utility box and take out outward.
- Take out the utility box, and clean it as required.
- Install is the reverse operation.
- Utility box cannot install on the right side area.
- After opening the refrigerator compartment door, hold the refrigerator compartment door with one hand, and gently pull the handle on the lid of the revolving utility box with the other hand to open the lid of the utility box.
- After using the utility box, you need to close the rotating lid before closing the refrigerator compartment door.



## 4.6 Out of operation

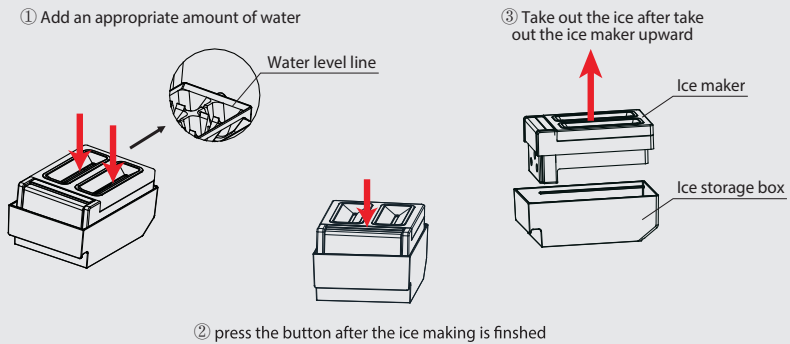
- Power failure: In case of power failure, even if it is in summer, foods inside the appliance can be kept for several hours; during the power failure, the times of door opening shall be reduced, and no more fresh food shall be put into the appliance.
- Long-time nonuse: The appliance shall be unplugged and then cleaned; then the door are left open to prevent odor.



**The appliance shall run continuously once it is started.  
Generally, the operation of the appliance shall not be interrupted;  
otherwise the service life may be impaired.**

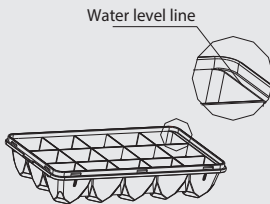
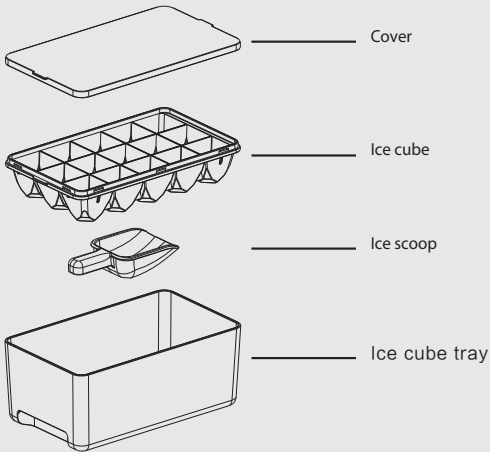
## 4.7 Ice making box (optional)

- The ice making box should be cleaned before use;
- Add an appropriate amount of water to the water level line on the ice tray, and then place the ice making box in the ice making area;
- After ice making, press the button on the ice making box to twist the ice tray and the ice cubes fall into the ice storage box;
- Take out the ice cubes from the ice storage box after taking out the ice maker upward.

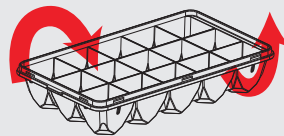


## 4.8 Large particle ice tray

- Ice cube tray should be cleaned before use.
- Add an appropriate amount of water to the water level line on the ice cube tray, and then place the ice tray in the ice making area .
- After ice making, remove and twist the ice cube tray to remove the ice cube.



Twist the ice cube tray when you take the ice cube



## Warning

- Please do not add excess water to overflow the water level line and do not directly put the water into the ice storage box to make ice.
- Please fill with potable water only. Please do not fill hot water or liquids other than potable water such as juices.
- If not used for a long time, the ice cubes in the ice storage box, ice maker, ice cube tray should be discarded.

## 5. Trouble shooting

Please try to solve the following simple problems by yourself.

If problem cannot be solved, please contact the service department.

Occurrence	Possible cause / inspection items
Operation failure	Check whether the appliance is connected to power or whether the plug is in well contact. Check whether the voltage is too low. Check whether there is a power failure or partial circuits have tripped.
Odor	Odorous foods shall be tightly wrapped. Check whether there is any rotten food. Clean the inside of the refrigerator.
Long-time operation of the compressor	Long operation of the refrigerator is normal in summer when the ambient temperature is high. It is not suggestible having too much food in the appliance at the same time. Food shall get cool before being put into the appliance. The doors are opened too frequently.
Lighting failure	Check whether the refrigerator is connected to power supply and whether the illumination light is damaged. Have the light replaced by a specialist.
Closing door failure	The doors is stuck by food packages. Too much food is placed the refrigerator is tilted.
Loud noise	Check whether the floor is level and whether the refrigerator is placed on stable ground. Check whether accessories are placed at proper locations.
Door is not properly sealed	Remove foreign matters on the door seal, Heat the door seals and then cool it for restoration. (or blow it with an electrical drier or use a hot towel for heating)
Overflowing water from pan	There is too much food in the freezing chamber or food stored contains too much water, resulting in heavy defrosting. The doors are not closed properly, resulting in frosting due to entry of air and increased water due to defrosting.
Hot cabinet	Heat dissipation of the built-in condenser via the cabinet, which is normal. When cabinet becomes too hot due to high ambient temperature, or storage of too much food, compressor shutdown. Ensure ventilation to facilitate heat dissipation.
Surface condensation	Condensation on the exterior surface and door seals of the refrigerator is normal, when the ambient humidity is too high. Wipe the condensate with a clean towel.
Abnormal noise	Buzz: The compressor may produce buzzes during operation, and the buzzes are loud particularly upon start or stop, which is normal. Creak: Refrigerant flowing inside of the appliance may produce creak, which is normal.

## 6. Disposal of your appliance

---



Correct Disposal of this product:

This marking indicates that this product should not be disposed with other household wastes throughout the EU.

To prevent possible harm to the environment or human health from uncontrolled waste disposal, recycle it responsibly to promote the sustainable reuse of material resources.

To return your used device, please use the return and collection system or contact the retailer where the product was purchased. They can take this product for environmental safe recycling.

### AMBIENT TEMPERATURE

This appliance is designed to operate in ambient temperature specified by its category marked on the rating plate.

Climate category	Ambient temperature (from...to...)
SN	+10 C to +32 C
N	+16 C to +32 C
ST	+16 C to +38 C
T	+16 C to +43 C