

COOKTOP VENTILATION HOOD USE AND CARE GUIDE

GUÍA DE USO Y MANTENIMIENTO

GUIDE D'UTILISATION ET D'ENTRETIEN

GUIDA ALL'USO E ALLA MANUTENZIONE

BEDIENUNGS-UND PFLEGEANLEITUNG

GIDS VOOR GEBRUIK EN ONDERHOUD

使用和保養指南



Contents

- 2 Safety Precautions
- 5 Hood Features
- 6 Hood Operation
- 6 Care Recommendations
- 7 Troubleshooting
- 7 Wolf Warranty

Customer Care

The model and serial number are listed on the product rating plate. Refer to page 5 for rating plate location. For warranty purposes, you will also need the date of installation and name of your authorized Wolf dealer. Record this information below for future reference.

If your product ever needs attention, be sure to use a Wolf factory certified service provider.

SERVICE INFORMATION

Model Number _____

Serial Number _____

Date of Installation _____

Certified Service Name _____

Certified Service Number _____

Authorized Dealer _____

Dealer Number _____

Important Note

To ensure this product is installed and operated as safely and efficiently as possible, take note of the following types of highlighted information throughout this guide:

IMPORTANT NOTE highlights information that is especially important.

CAUTION indicates a situation where minor injury or product damage may occur if instructions are not followed.

WARNING states a hazard that may cause serious injury or death if precautions are not followed.

IMPORTANT INSTRUCTIONS

READ AND SAVE THESE INSTRUCTIONS

- Read this use & care guide carefully before using your new ventilation hood to reduce the risk of fire, electric shock or injury to persons.
- Ensure proper installation and servicing. This appliance must be properly installed and grounded (earthed) by a qualified technician.
- Warranty service must be performed by Wolf factory certified service.
- Installation work and electrical wiring must be done by qualified person(s) in accordance with all applicable codes and standards, including fire-rated construction codes and standards.
- The appliance is not to be used by children or persons with reduced physical, sensory or mental capabilities, or lack of experience and knowledge, unless they have been given supervision or instruction.

IMPORTANT INSTRUCTIONS

⚠ WARNING

TO REDUCE THE RISK OF FIRE, ELECTRIC SHOCK, OR INJURY TO PERSONS, OBSERVE THE FOLLOWING:

- a) Use this unit only in the manner intended by the manufacturer. If you have questions, contact the manufacturer.
- b) Before servicing or cleaning unit, unplug the appliance or switch power off at service panel and lock the service disconnecting means to prevent power from being switched on accidentally. When the service disconnecting means cannot be locked, securely fasten a prominent warning device, such as a tag, to the service panel.

⚠ WARNING

This appliance can be used by children aged from 8 years and above and persons with reduced physical, sensory or mental capabilities or lack of experience and knowledge if they have been given supervision or instruction concerning use of the appliance in a safe way and understand the hazards involved. Children shall not play with the appliance. Cleaning and user maintenance shall not be made by children without supervision.

GENERAL SAFETY PRECAUTIONS

- There shall be adequate ventilation of the room when the range hood is used at the same time as appliances burning gas or other fuels.
- Do not operate any fan with a damaged cord or plug. Discard fan or return to an authorized service facility for examination and/or repair.
- This appliance must be grounded (earthed).

⚠ CAUTION

For general ventilating use only. Do not use to exhaust hazardous or explosive materials and vapors.

- Ducted fans must always be vented to the outdoors.
- To reduce the risk of fire, use only steel ductwork.
- Do not wear loose-fitting or hanging clothing when operating this appliance. It may be ignited by burners or elements on the cooktop.

IMPORTANT INSTRUCTIONS

GENERAL SAFETY PRECAUTIONS

- Do not repair or replace any part of this appliance unless specifically recommended in this guide. All other service should be performed by a qualified technician.
- To avoid motor bearing damage and noisy or unbalanced impellers, keep drywall spray, construction dust, etc. off power unit.
- When cutting or drilling into wall or ceiling, do not damage electrical wiring or other hidden utilities.
- Please read the specification label on the ventilation hood for further information and requirements.

⚠ CAUTION

To reduce the risk of fire and properly exhaust air, be certain to duct air outside. Do not vent exhaust air into spaces within walls or ceilings or into attics, crawl spaces or garages.

⚠ CAUTION

Accessible parts may become hot when used with cooking appliances.

⚠ WARNING

TO REDUCE THE RISK OF A RANGE TOP GREASE FIRE:

- a) Never leave surface units unattended at high settings. Boilovers cause smoking and greasy spillovers that may ignite. Heat oils slowly on low or medium settings.
- b) Always turn hood ON when cooking at high heat.
- c) Clean ventilating fans frequently. Grease should not be allowed to accumulate on fan or filter.
- d) Use proper pan size. Always use cookware appropriate for the size of the surface element.
- e) Do not flambé food under the range hood.

IMPORTANT INSTRUCTIONS

GENERAL SAFETY PRECAUTIONS

⚠ WARNING

TO REDUCE THE RISK OF INJURY TO PERSONS IN THE EVENT OF A RANGE TOP GREASE FIRE, OBSERVE THE FOLLOWING*:

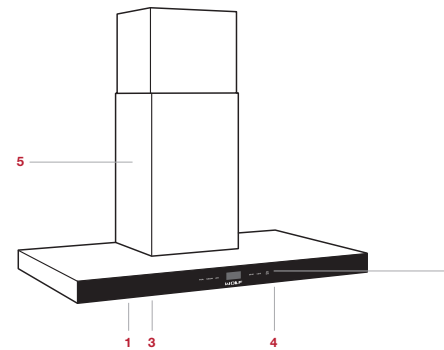
- a) **SMOTHER FLAMES** with a close-fitting lid, cookie sheet, or metal tray, then turn off the burner. **BE CAREFUL TO PREVENT BURNS.**
If the flames do not go out immediately, **EVACUATE AND CALL THE FIRE DEPARTMENT.**
- b) **NEVER PICK UP A FLAMING PAN**—You may be burned.
- c) **DO NOT USE WATER**, including wet dishcloths or towels—a violent steam explosion will result.
- d) Use an extinguisher **ONLY** if:
 - 1) You know you have a Class ABC extinguisher, and you already know how to operate it.
 - 2) The fire is small and contained in the area where it started.
 - 3) The fire department is being called.
 - 4) You can fight the fire with your back to an exit.

*Based on “Kitchen Fire Safety Tips” published by NFPA.

Ventilation Hood Features

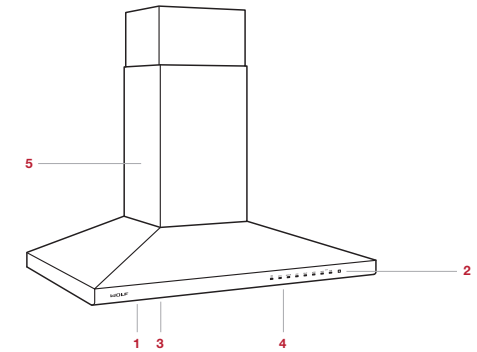
FEATURE	
1	Product Rating Plate (above filters)
2	Control Panel
3	Filters
4	LED Lighting
5	Telescopic Chimney Flue

BLACK



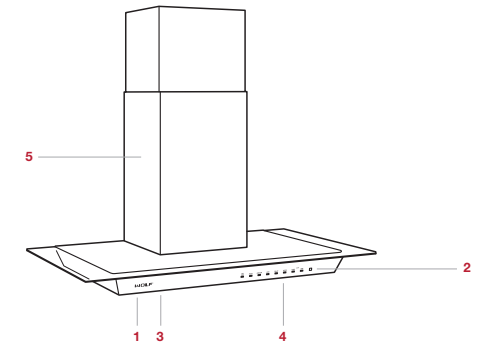
914 mm wall hood shown.

STAINLESS



914 mm wall hood shown.

GLASS



914 mm wall hood shown.

Control Panel

BLACK

To operate the ventilation hood, use the touch control panel on the front of the hood. Indicators will be visible in the control panel display. Refer to the chart and illustration below.

INDICATOR	FUNCTION
1	Low blower speed.
2	Medium blower speed.
3	High blower speed.
HI	Boost has been activated.
FC	Replace charcoal filter. (recirculation application only).
FG	Clean grease filters.
FF	Filter indicator has been reset.
IR	Remote control has been enabled/disabled.

CONTROL PANEL	FUNCTION
	High/Boost
	Medium
	Low
	Delay
	Light
	On/Off



Black control panel and display.

STAINLESS/GLASS

To operate the ventilation hood, use the control panel on the front of the hood. Place a finger on the LED indicator and the unit will optically detect and activate the selected option. LED indicators for activated controls will illuminate. Refer to the illustration below.

CONTROL PANEL	FUNCTION
	On/Off
	High/Boost
	Medium
	Low
	Delay
	Filter
	Light - High
	Light - Low



Stainless/glass control panel.

Control Panel

BLOWER

To adjust blower speed, touch , , or . Touch again to turn the blower off.

To initiate boost mode, touch and hold for 3 seconds. Boost increases airflow by approximately 20% more than high, but is limited to 10 minutes. After 10 minutes, the blower will automatically transition to the previous selected speed.

DELAY

The delay feature automatically turns the lights and blower off after 10 minutes of operation.

FILTER

After approximately 100 hours of operation, the filter indicator will signal the filters need to be cleaned. Refer to filter removal and care recommendations on pages 6-7.

For black hoods, 'FG' or 'FC' (recirculation application) will illuminate on the control panel display. To reset the filter indicator, touch and hold for 5 seconds until 'FF' appears on the display.

For stainless/glass hoods, the LED will illuminate on the control panel. To reset the filter indicator, touch for 5 seconds.

LIGHT

For black hoods, touch for high or touch and hold for 2 seconds for low. Touch again to turn lights off.

For stainless/glass hoods, touch or . Touch again to turn lights off.

ON/OFF

Touch to turn the blower on low. Touch again to turn the blower off.

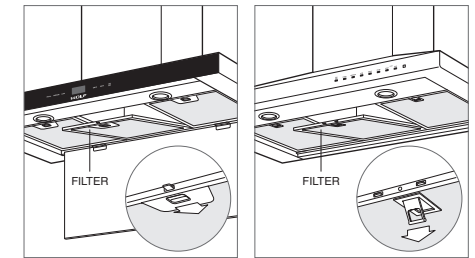
Filter Removal

The grease filters should be cleaned when the filter indicator is illuminated on the control panel, or after approximately 100 hours of operation. The filters are dishwasher safe. Refer to care recommendations.

For black hoods, to access filters, release the catch and gently pull down the front edge of the bottom panel of the hood and allow it to rotate downward. For stainless/glass hoods, there is no bottom panel.

To remove filters, refer to the illustrations below.

IMPORTANT NOTE: Do not operate the ventilation hood without the grease filters.



Filter removal—black.

Filter removal—stainless/glass.

Care Recommendations

CLEANING

Stainless steel Use a nonabrasive stainless steel cleaner and apply with a soft lint-free cloth. To bring out the natural luster, lightly wipe surface with a water-dampened microfiber cloth followed by a dry polishing charmois. Always follow the grain of stainless steel.

Control panel Use a spray degreaser to remove fingerprints and food soil. Spray on a cloth before wiping the panel. Spray glass cleaner on a cloth to clean black glass.

IMPORTANT NOTE: Do not spray cleaners directly on the control panel.

Filters Filters are dishwasher safe and are designed to fit most dishwashers. Wipe filters to remove excess grease before placing in the dishwasher.

Troubleshooting

OPERATION

Ventilation hood does not operate.

- Verify power is on.
- Verify electrical power to hood and home circuit breaker is on.

Blower runs but lights do not operate.

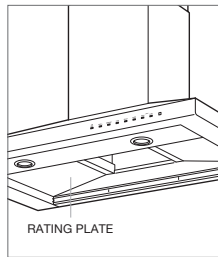
- Verify bulbs have not burned out.

Light bulb is burned out.

- LED lighting must be replaced by Wolf factory certified service.

SERVICE

- Maintain the quality built into your product by contacting Wolf factory certified service.
- When contacting service, you will need the model and serial number of your product. Both numbers are listed on the product rating plate. Refer to the illustration below for rating plate location.
- For warranty purposes, you will also need the date of installation and name of your authorized Wolf dealer. This information should be recorded on page 2 of this guide.



Rating plate location.

Wolf Appliance International Limited Warranty

FOR RESIDENTIAL USE

FULL TWO YEAR WARRANTY*

For two years from the date of original installation, this Wolf Appliance product warranty covers all parts and labor to repair or replace, under normal residential use, any part of the product that proves to be defective in materials or workmanship. All service provided by Wolf Appliance under the above warranty must be performed by Wolf factory certified service, unless otherwise specified by Wolf Appliance, Inc. Service will be provided during normal business hours.

LIMITED FIVE YEAR WARRANTY

For five years from the date of original installation, Wolf Appliance will repair or replace the following parts that prove to be defective in materials or workmanship: stainless steel briquette trays, gas valves, drip pans, electronic control boards and electric heating elements. If the owner uses Wolf factory certified service, the service provider will repair or replace these parts with the owner paying for all other costs, including labor. If the owner uses non-certified service, the owner must contact Wolf Appliance, Inc. (using the information below) to receive repaired or replacement parts. Wolf Appliance will not reimburse the owner for parts purchased from non-certified service or other sources.

For more information regarding your Wolf product warranty, contact your authorized Wolf dealer. Warranties must comply to all country, state, city, local and or ordinance.

*Stainless steel (doors, panels, handles, product frames and interior surfaces) are covered by a limited 60-day parts and labor warranty for cosmetic defects.



Sub-Zero, Sub-Zero & Design, Sub-Zero & Snowflake Design, Dual Refrigeration, The Living Kitchen, Great American Kitchens The Fine Art of Kitchen Design, Wolf, Wolf & Design, Wolf Gourmet, W & Design, red colored knobs, Cove, and Cove & Design, are registered trademarks and service marks of Sub-Zero Group, Inc. and its subsidiaries. All other trademarks are property of their respective owners in the United States and other countries.

Índice

- 2 Precauciones de seguridad
- 5 Características de la campana extractora
- 6 Funcionamiento de la campana
- 6 Recomendaciones de mantenimiento
- 7 Localización y solución de problemas
- 7 Garantía Wolf

Atención al cliente

La información relativa al número de serie y el modelo se muestra en la placa de datos del producto. Consulte la página 5 para observar la ubicación de la placa de datos. Para cuestiones relacionadas con la garantía, también necesita conocer la fecha de instalación y el nombre de su distribuidor autorizado de Wolf. Guarde la siguiente información para tenerla como referencia en el futuro.

Si alguna vez su producto necesita asistencia, asegúrese de acudir a un servicio técnico autorizado de Wolf.

INFORMACIÓN SOBRE EL MANTENIMIENTO

Referencia del modelo
Número de serie
Fecha de instalación
Nombre del servicio certificado
Número de servicio certificado
Distribuidor autorizado
Número del distribuidor

Nota importante

Para garantizar que este producto se instala y funciona de la forma más eficaz y segura posible, tenga en cuenta la información que se destaca en esta guía:

Cuando aparece **NOTA IMPORTANTE**, se resalta información que resulta especialmente importante.

PRECAUCIÓN indica una situación en la que se pueden sufrir heridas leves o provocar daños al producto si no se siguen las instrucciones.

AVISO indica el peligro de que se produzcan heridas graves o incluso la muerte si no se respetan las precauciones.

INSTRUCCIONES IMPORTANTES

LEA Y CONSERVE ESTAS INSTRUCCIONES

- Lea con detenimiento esta guía de uso y mantenimiento antes de utilizar la nueva campana extractora para reducir el riesgo de que se produzca un incendio, una descarga eléctrica o de sufrir lesiones personales.
- Asegúrese de que la instalación y el mantenimiento se lleven a cabo de manera correcta. Este aparato debe ser instalado y conectado a tierra de manera correcta por un técnico cualificado.
- El servicio de garantía debe ser realizado por un servicio de asistencia técnica autorizado de Wolf.
- La instalación de la campana y del cableado eléctrico debe ser realizada por personal cualificado y debe hacerse siguiendo todos los códigos y normativas aplicables incluyendo los códigos y normativas contra incendios.
- Este aparato puede ser utilizado por niños o personas con discapacidad física, sensorial o mental, o falta de experiencia y conocimientos, siempre y cuando cuenten con supervisión o se les haya enseñado cómo utilizarlo.

INSTRUCCIONES IMPORTANTES

⚠ AVISO

PARA REDUCIR EL RIESGO DE INCENDIO, DESCARGA ELÉCTRICA O DAÑOS A PERSONAS, SIGA LAS SIGUIENTES INSTRUCCIONES:

- a) Utilice esta unidad solamente para el uso previsto por el fabricante. Si tiene alguna pregunta, póngase en contacto con el fabricante.
- b) Antes de realizar cualquier tarea de limpieza o mantenimiento, desenchufe o apague el aparato en el panel de mantenimiento y bloquee los medios de desconexión de mantenimiento para evitar que el aparato se encienda de manera accidental. En el caso de que no pueda bloquear los medios de desconexión de mantenimiento, coloque de manera segura un dispositivo de advertencia visible en el panel de mantenimiento, por ejemplo, una etiqueta.

⚠ AVISO

Este aparato puede ser utilizado por niños de más de ocho años y personas con discapacidades físicas, sensoriales o mentales, o con falta de experiencia o conocimientos, siempre y cuando cuenten con supervisión o se les haya enseñado cómo utilizarlo de forma segura y comprendan los peligros que supone. Los niños no deben jugar con el aparato. Los niños no pueden realizar las tareas de limpieza y mantenimiento sin supervisión.

PRECAUCIONES GENERALES DE SEGURIDAD

- Cuando la campana se utilice al mismo tiempo que los aparatos que queman gas u otros combustibles, proporcione ventilación adecuada en la habitación.
- No ponga en funcionamiento ningún ventilador con un cable o enchufe dañados. Deseche el ventilador o envíelo a un servicio técnico autorizado para su inspección o reparación.
- Este aparato debe estar conectado a tierra de manera correcta.

⚠ PRECAUCIÓN

Este aparato debe ser utilizado solo para ventilación general. No utilice esta campana para extraer vapores y materiales explosivos o peligrosos.

- Los ventiladores con tubo de salida deben tener siempre salida al exterior.
- Para reducir el riesgo de que se produzca un incendio, utilice solamente tubos de acero.
- No lleve nunca ropa suelta u holgada mientras está utilizando este aparato. Es posible que pueda arder si entra en contacto con los quemadores o resistencias de la placa.

INSTRUCCIONES IMPORTANTES

PRECAUCIONES GENERALES DE SEGURIDAD

- No repare ni cambie ninguna pieza de este aparato a menos que se recomiende específicamente en esta guía. Todas las tareas de mantenimiento deben ser realizadas por un técnico cualificado.
- Para evitar que el cojinete del motor se dañe y que los propulsores hagan ruido o se desequilibren, no deje que el spray para molduras de escayola, el polvo y suciedad de las obras, etc., entren en contacto con el motor.
- Cuando corte o taladre una pared o techo, tenga cuidado de no tocar las conexiones eléctricas ni otras utilidades ocultas que no se ven a simple vista.
- Lea la etiqueta de especificaciones situada en la campana extractora para consultar los requisitos y obtener más información.

⚠ PRECAUCIÓN

Para reducir el riesgo de que se produzca un incendio y para que la salida de gases sea la adecuada, asegúrese de que el aire sale al exterior. No extraiga los gases de salida a espacios con paredes, techos o áticos, sótanos de poca altura o garajes.

⚠ PRECAUCIÓN

Las piezas accesibles pueden calentarse al utilizarse con los aparatos de cocina.

⚠ AVISO

PARA REDUCIR EL RIESGO DE QUE SE PRODUZCA UN INCENDIO PROVOCADO POR GRASA EN LA PLACA:

- a) No deje nunca desatendidas las superficies calientes a temperaturas muy altas. El sobrecalentamiento de las superficies pueden producir humo y derrames de grasa que puede arder. Caliente el aceite o la grasa con un nivel de potencia medio o bajo.
- b) Encienda SIEMPRE la campana cuando vaya a cocinar a altas temperaturas.
- c) Limpie los ventiladores de extracción con frecuencia. No debe dejar que la grasa se acumule en el filtro o ventilador.
- d) Utilice una cazuela o recipiente que tenga el tamaño adecuado. Utilice siempre recipientes o cazuelas que se adapten al tamaño de los fuegos de la placa.
- e) No flambee nunca debajo de la campana.

INSTRUCCIONES IMPORTANTES

PRECAUCIONES GENERALES DE SEGURIDAD

⚠ AVISO

PARA REDUCIR EL RIESGO DE QUE LAS PERSONAS SUFRAN QUEMADURAS EN EL CASO DE QUE SE PRODUZCA UN INCENDIO PROVOCADO POR GRASA EN LA PARTE SUPERIOR DE LA COCINA, SIGA LAS SIGUIENTES INSTRUCCIONES*:

- a) **BAJE LA LLAMA** con un tapa bien ajustada, una bandeja para hornear galletas u otro tipo de bandeja de metal y, a continuación, apague el quemador de gas. **TENGA CUIDADO PARA EVITAR SUFRIR QUEMADURAS.** Si la llama no se apaga inmediatamente, **DESALOJE EL LUGAR Y LLAME A LOS BOMBEROS.**
- b) **NO TOQUE NUNCA UN RECIPIENTE EN LLAMAS**, puede quemarse.
- c) **NO UTILICE AGUA** ni paños de cocina mojados o húmedos ya que se podría producir una explosión debido al vapor.
- d) Utilice un extintor **SOLO** si:
 - 1) Está seguro de que dispone de un extintor Clase ABC y sabe cómo funciona.
 - 2) El incendio es pequeño y no se propaga fuera del área en la que se produjo.
 - 3) Ha avisado a los bomberos.
 - 4) Puede apagar el fuego situado al lado de una salida.

*Basado en la publicación de «Kitchen Fire Safety Tips» (Consejos de prevención contra incendios en las cocinas) de la NFPA (Asociación Nacional estadounidense de Protección contra el Fuego).

Características de la campana extractora

CARACTERÍSTICA	
1	Placa de datos del producto (encima de los filtros)
2	Panel de mandos
3	Filtros
4	Luz LED
5	Tubo de humos telescópico

NEGRA

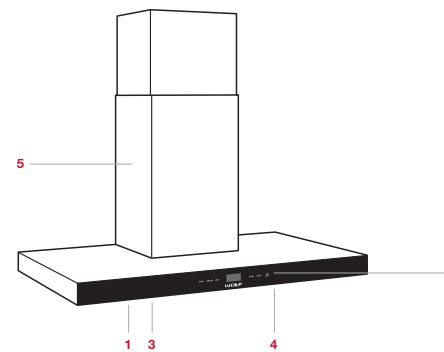


Ilustración de campana de pared de 914 mm.

ACERO INOXIDABLE

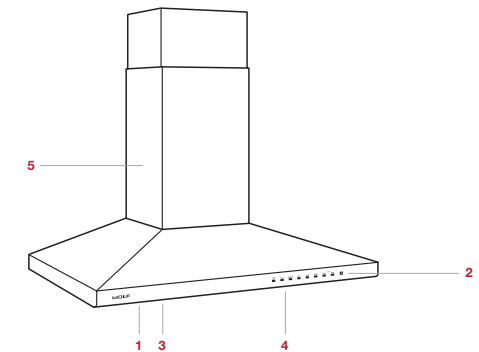


Ilustración de campana de pared de 914 mm.

CRISTAL

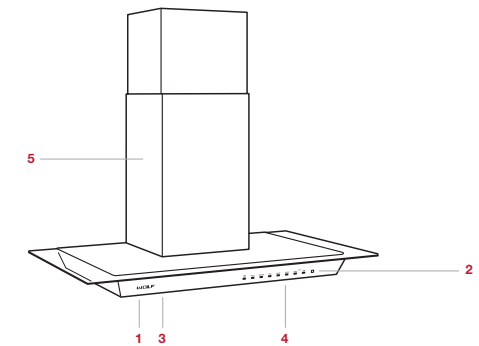


Ilustración de campana de pared de 914 mm.

Panel de mandos

NEGRA

Para hacer funcionar la campana extractora, utilice el panel de mandos táctil situado en la parte frontal de la campana. Los indicadores aparecerán en la pantalla del panel de manos. Consulte la tabla e ilustración siguientes.

INDICADOR	FUNCIÓN
1	Velocidad del ventilador baja.
2	Velocidad del ventilador media.
3	Velocidad del ventilador alta.
HI	Se ha activado el modo de potencia máxima.
FC	Cambie el filtro de carbón. (solamente para la aplicación de recirculación).
FG	Limpie los filtros de grasa.
FF	Se ha reiniciado el indicador de filtro.
IR	Se ha activado o desactivado el control remoto.

PANEL DE MANDOS	FUNCIÓN
	Alta/Máxima potencia
	Media
	Baja
	Programa
	Luz
	Encendido/Apagado



Pantalla y panel de mandos negra.

ACERO INOXIDABLE/CRISTAL

Para hacer funcionar la campana extractora, utilice el panel de mandos situado en la parte frontal de la campana. Coloque un dedo sobre el indicador LED y la unidad detectará ópticamente y activará la opción seleccionada. Se encenderán los indicadores LED para los controles activados. Observe la siguiente ilustración.

PANEL DE MANDOS	FUNCIÓN
	Encendido/Apagado
	Alta/Máxima potencia
	Media
	Baja
	Programa
	Filtro
	Luz - Alta
	Luz - Baja



Panel de manos de cristal o acero inoxidable.

Panel de mandos

VENTILADOR

Para ajustar la velocidad del ventilador, pulse , o . Vuelva a pulsar para apagar el ventilador.

Para iniciar el modo de potencia máxima, mantenga pulsado durante tres segundos. La potencia máxima aumenta el flujo de aire aproximadamente un 20 % más que la potencia elevada, pero está limitado a diez minutos. Después de diez minutos, el ventilador pasará automáticamente a la velocidad previamente seleccionada.

PROGRAMA

La opción de programa apaga automáticamente las luces y el ventilador tras diez minutos de funcionamiento.

FILTRO

Tras aproximadamente 100 horas de funcionamiento, el indicador del filtro señalará que los filtros necesitan limpiarse. Consulte las recomendaciones de mantenimiento y limpieza de los filtros en la página 6 y 7.

En las campanas negras, «FG» o «FC» (aplicación de recirculación) se encenderán en la pantalla del panel de mandos. Para reiniciar el indicador del filtro, mantenga pulsado durante cinco segundos hasta que «FF» aparezca en la pantalla.

En las campanas de cristal o acero inoxidable, la luz LED se encenderá en el panel de mandos. Para reiniciar el indicador del filtro, pulse durante cinco segundos.

LUZ

En las campanas negras, pulse para aumentar o mantenga pulsado durante dos segundos para reducir. Vuelva a pulsar para apagar las luces.

En las campanas de cristal o acero inoxidable, pulse o . Vuelva a pulsar para apagar las luces.

ENCENDIDO/APAGADO

Pulse para encender el ventilador. Vuelva a pulsar para apagar el ventilador.

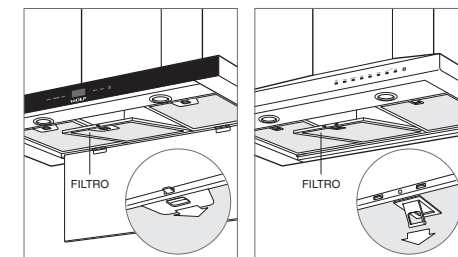
Extracción del filtro

Los filtros de grasa deben limpiarse cuando el indicador del filtro esté encendido en el panel de mandos, o tras aproximadamente 100 horas de funcionamiento. Los filtros se pueden lavar en el lavavajillas. Consulte la sección Recomendaciones de mantenimiento.

En las campanas negras, para acceder a los filtros, libere el dispositivo de cierre y empuje suavemente hacia abajo el extremo frontal del panel inferior de la campana y deje que gire hacia abajo. En las campanas de cristal o acero inoxidable no hay panel inferior.

Para retirar los filtros, consulte las siguientes ilustraciones.

NOTA IMPORTANTE: no ponga en funcionamiento la campana extractora sin los filtros de grasa.



Eliminación de filtros: negra.

Eliminación de filtros: cristal o acero inoxidable.

Recomendaciones de mantenimiento

LIMPIEZA

Acero inoxidable Utilice un limpiador de acero inoxidable no abrasivo y aplíquelo con un paño suave que no deje pelusas. Para que el acero inoxidable adquiera un brillo natural, frote suavemente la superficie con un paño de micro-fibra empapado en agua y con una gamuza seca para pulir. Siga siempre la dirección del acero inoxidable.

Panel de control Utilice un limpiador en spray para eliminar las huellas y las manchas de alimentos. Aplique el producto de limpieza sobre un paño antes de limpiar el panel. Pulverice el limpiacristales en un paño para la limpieza del cristal negro.

NOTA IMPORTANTE: No aplique los limpiadores directamente sobre el panel de control.

Filtros Los filtros se pueden lavar en el lavavajillas y están diseñados para caber en los lavavajillas convencionales. Limpie los filtros para eliminar el exceso de grasa antes de ponerlos en el lavavajillas.

Localización y solución de problemas

FUNCIONAMIENTO

La campana extractora no funciona.

- Compruebe si está encendido.
- Compruebe la red eléctrica de la campana y asegúrese de que los fusibles no están fundidos.

El ventilador funciona pero las bombillas no.

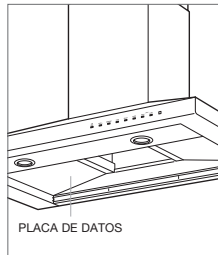
- Compruebe que las bombillas no se han quemado.

La bombilla se ha quemado.

- La luz LED debe ser sustituida por un servicio de asistencia técnica autorizado de Wolf.

SERVICIO

- Mantenga la calidad de su producto al ponerse en contacto con el servicio de asistencia técnica autorizado de Wolf.
- Le recomendamos que anote la referencia del modelo y el número de serie del producto cuando se ponga en contacto con el servicio de asistencia técnica. Esta información se muestra en la placa de datos del producto. Observe la siguiente ilustración para conocer la ubicación de la placa de datos.
- Para cuestiones relacionadas con la garantía, también necesita saber la fecha de instalación y el nombre de su distribuidor autorizado de Wolf. Esta información está incluida en la página 2 de esta guía.



Ubicación de la placa de datos.

Garantía limitada internacional de Wolf Appliance

PARA USO DOMÉSTICO

GARANTÍA COMPLETA DE DOS AÑOS*

Durante dos años después de la fecha de instalación original, esta garantía de su producto de Wolf Appliance cubre todas las piezas y la mano de obra necesarias para reparar o sustituir cualquier parte del producto que se compruebe que tiene defectos de material o mano de obra, siempre y cuando se haya realizado un uso doméstico del mismo. El servicio certificado de fábrica de Wolf llevará a cabo todos los servicios proporcionados por Wolf Appliance en virtud de la garantía anterior, a menos que Wolf Appliance, Inc. especifique lo contrario. El servicio se proporcionará durante el horario laboral normal.

GARANTÍA LIMITADA DE CINCO AÑOS

Durante cinco años después de la fecha de instalación original, Wolf Appliance reparará o sustituirá las siguientes piezas que se compruebe que tengan defectos de material o mano de obra: bandejas de briquetas de acero inoxidable, válvulas de gas, bandejas de recogida de grasa, tableros de mandos electrónicos y elementos caloríficos. Si el propietario utiliza el servicio certificado de fábrica de Wolf, el proveedor de este servicio reparará o sustituirá estas piezas y el propietario pagará todos los demás gastos, incluida la mano de obra. Si el propietario utiliza un servicio no certificado, deberá ponerse en contacto con Wolf Appliance, Inc. (utilizando para ello la información incluida más abajo) para recibir las piezas reparadas o de sustitución. Wolf Appliance no reembolsará al propietario el dinero pagado por piezas compradas al servicio u otros proveedores no certificados.

Para obtener más información con respecto a su garantía de producto de Wolf, póngase en contacto con su distribuidor autorizado de Wolf. Las garantías deben cumplir con todas las normativas nacionales, estatales, municipales y locales.

*Las partes de acero inoxidable (puertas, paneles, manillas, marcos del producto y superficies interiores) están cubiertas por una garantía limitada de 60 días para piezas y mano de obra por defectos estéticos.



Table des matières

- 2 Mesures de sécurité
- 5 Caractéristiques de la hotte aspirante
- 6 Fonctionnement de la hotte aspirante
- 6 Consignes d'entretien
- 7 Dépistage des pannes
- 7 Garantie Wolf

Entretien par le client

Le numéro de modèle et le numéro de série figurent sur la plaque des caractéristiques du produit. Pour repérer l'emplacement de la plaque des caractéristiques, reportez-vous à la page 5. Pour les besoins de la garantie, vous devez aussi fournir la date d'installation et le nom de votre revendeur agréé Wolf. Consignez ces renseignements pour pouvoir vous y reporter ultérieurement.

En cas de besoin, assurez-vous de contacter un prestataire agréé par l'usine Wolf.

SERVICE APRÈS-VENTE

Référence de modèle

Numéro de série

Date d'installation

Nom du prestataire agréé

Numéro du service certifié

Revendeur agréé

Numéro du revendeur

Remarque importante

Pour garantir une installation de ce produit aussi sûre et efficace que possible, veuillez faire particulièrement attention aux mentions mises en évidence tout au long de ce guide, notamment :

REMARQUE IMPORTANTE met l'accent sur un renseignement particulièrement important.

MISE EN GARDE signale un danger qui pourrait causer une blessure mineure ou endommager le produit si vous ne suivez pas les instructions.

AVERTISSEMENT signale un danger qui pourrait causer des blessures graves voire fatales si vous ne prenez pas certaines précautions.

CONSIGNES IMPORTANTES

LISEZ CES INSTRUCTIONS ATTENTIVEMENT ET CONSERVEZ-LES DANS UN ENDROIT SÛR

- Afin de minimiser les risques d'incendie, de choc électrique et de blessure, lisez avec attention ce guide d'utilisation et d'entretien avant d'utiliser votre nouvelle hotte aspirante.
- Assurez-vous que son installation et son entretien ultérieur sont effectués correctement. Cet appareil doit être correctement installé et mis à la terre par un poseur qualifié.
- Un dépannage sous garantie doit être effectué par un prestataire agréé par l'usine Wolf.
- La pose et le branchement électrique doivent être effectués par des techniciens qualifiés, conformément à tous les codes et à toutes les normes applicables, y compris les codes de la construction relatifs à la prévention des incendies et les normes connexes.
- Cet appareil ne doit pas être utilisé par des enfants ou des personnes dont les capacités physiques, sensorielles ou mentales sont diminuées ou n'ayant ni l'expérience ni les connaissances requises, sauf en cas de surveillance étroite ou d'instruction concernant l'usage de l'appareil.

CONSIGNES IMPORTANTES

⚠ AVERTISSEMENT

AFIN DE RÉDUIRE LE RISQUE D'INCENDIE, DE CHOC ÉLECTRIQUE OU DE BLESSURE, OBSERVEZ LES CONSIGNES DE SÉCURITÉ SUIVANTES :

- a) Utilisez cet appareil uniquement aux fins prévues par le fabricant. En cas de questions, adressez-vous au fabricant.
- b) Avant de réparer ou de nettoyer l'appareil, coupez le courant au tableau de distribution et verrouillez le dispositif de déconnexion afin d'empêcher que le courant ne soit rétabli accidentellement. S'il est impossible de verrouiller le dispositif de déconnexion, apposez un avertissement bien en vue, par exemple une étiquette, sur le tableau de distribution.

⚠ AVERTISSEMENT

Cet appareil peut être utilisé par des enfants de 8 ans et plus et par des personnes dont les capacités physiques, sensorielles ou mentales sont diminuées ou n'ayant ni l'expérience ni les connaissances requises, à condition qu'ils soient étroitement surveillés et qu'ils aient reçu des consignes concernant l'usage sécuritaire de l'appareil et qu'ils comprennent les risques qu'ils courent. Ne laissez pas les enfants jouer avec cet appareil. Le nettoyage et l'entretien ne doivent pas être faits par les enfants sans surveillance étroite.

MESURES DE SÉCURITÉ GÉNÉRALES

- La pièce doit être ventilée de manière adéquate lorsque la hotte est utilisée en même temps que des appareils fonctionnant au gaz ou à d'autres carburants.
- N'utilisez pas le ventilateur si le cordon ou la fiche sont endommagés. Débarrassez-vous du ventilateur ou ramenez-le chez un prestataire agréé pour le faire inspecter ou le faire réparer.
- Cet appareil doit être correctement mis à la terre.

⚠ MISE EN GARDE

Il est uniquement destiné à assurer une ventilation ordinaire. Vous ne devez pas l'utiliser pour évacuer des matières ou des vapeurs dangereuses ou explosives.

- Les ventilateurs hélicoïdes à enveloppe doivent toujours s'évacuer vers l'extérieur.
- Pour minimiser le risque d'incendie, n'utilisez que des gaines métalliques.
- Ne portez pas de vêtements amples ou qui pendent lorsque vous utilisez cet appareil. Les flammes ou la chaleur se dégageant des brûleurs ou des résistances chauffantes pourraient les enflammer.

CONSIGNES IMPORTANTES

MESURES DE SÉCURITÉ GÉNÉRALES

- Ne réparez ou ne remplacez aucune pièce de cet appareil, sauf si cela est expressément recommandé dans ce guide. Tout dépannage doit être confié à un technicien qualifié.
- Pour éviter les dégâts du palier du moteur, le bruit ou le déséquilibre des rotors, n'exposez pas l'appareil aux produits pulvérisés sur les cloisons sèches, à la poussière dégagée par les travaux de construction, etc..
- Lorsque vous effectuez une découpe ou des trous dans un mur ou dans le plafond, veillez à ne pas endommager le câblage électrique ou autres conduits dissimulés.
- Pour de plus amples renseignements, veuillez vous reporter à la plaque des caractéristiques apposée sur la hotte aspirante.

⚠ MISE EN GARDE

Afin de minimiser le risque d'incendie et d'assurer une évacuation d'air appropriée, assurez-vous d'évacuer l'air à l'extérieur. Il ne doit pas être évacué dans des murs, des plafonds, des combles, des vide-sanitaires ou des garages.

⚠ MISE EN GARDE

Les pièces accessibles peuvent devenir très chaudes lorsqu'on les utilise avec des appareils de cuisson.

⚠ AVERTISSEMENT

POUR RÉDUIRE LE RISQUE DE FEU DE GRAISSE SUR LA PLAQUE DE CUISSON :

- a) Ne laissez jamais les appareils de cuisson fonctionner sans surveillance à des réglages élevés. Les débordements par bouillonnement et les déversements de graisse pourraient produire de la fumée susceptible de s'enflammer. Faites chauffer l'huile lentement au réglage faible ou moyen.
- b) Mettez toujours la hotte en marche lorsque vous cuisinez à un réglage élevé.
- c) Nettoyez souvent les ventilateurs. Vous ne devriez pas laisser la graisse s'accumuler sur le ventilateur ou sur les filtres.
- d) Utilisez des récipients de taille appropriée. Ils doivent toujours être adaptés aux dimensions de l'élément de la plaque de cuisson sur lequel ils sont posés.
- e) Ne faites jamais flamber des aliments sous la hotte.

CONSIGNES IMPORTANTES

MESURES DE SÉCURITÉ GÉNÉRALES

⚠ AVERTISSEMENT

AFIN DE RÉDUIRE LE RISQUE DE BLESSURE DANS LE CAS OÙ UN FEU DE GRAISSE SE DÉCLARERAIT SUR LA CUISINIÈRE, OBSERVEZ LES CONSIGNES DE SÉCURITÉ SUIVANTES :

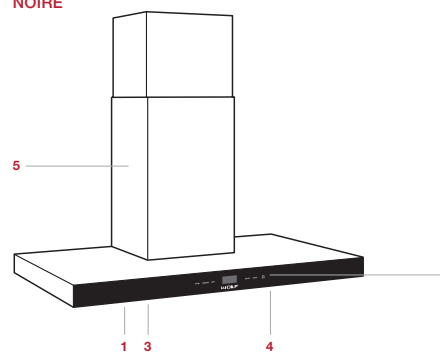
- a) **ÉTOUFFEZ LES FLAMMES** avec un couvercle hermétique, une plaque à pâtisserie ou autre plateau en métal, puis éteignez le brûleur. **VEILLEZ À NE PAS VOUS BRÛLER.** Si les flammes ne s'éteignent pas immédiatement, **ÉVACUEZ LES LIEUX ET CONTACTEZ LE SERVICE INCENDIE.**
- b) **NE SAISISSEZ JAMAIS UN RÉCIPIENT EN FLAMME**, au risque de vous brûler.
- c) **N'UTILISEZ PAS DE L'EAU**, ni des torchons ou serviettes mouillés ; vous pourriez causer une violente explosion de vapeur.
- d) Utilisez un extincteur **UNIQUEMENT** si :
 - 1) Vous possédez un extincteur de classe ABC et vous savez vous en servir.
 - 2) Il s'agit d'un feu mineur qui ne s'est pas propagé hors de l'endroit où il s'est déclaré.
 - 3) Le service incendie a été contacté.
 - 4) Vous pouvez combattre le feu tandis qu'une sortie se trouve derrière vous.

**Inspirés par le document sur les consignes de sécurité en cas d'incendie dans les cuisines (« Kitchen Firesafety Tips ») publié par la NFPA.

Caractéristiques de la hotte aspirante

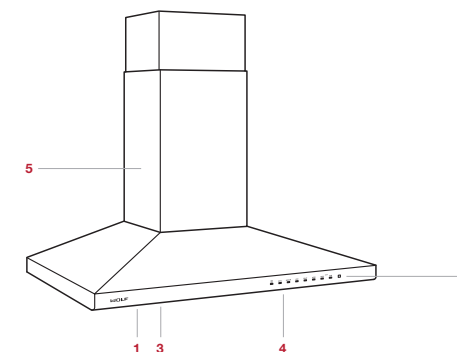
CARACTÉRISTIQUE	
1	Plaque des caractéristiques du produit (au-dessus des filtres)
2	Panneau de commande
3	Filtres
4	Éclairage DEL
5	Conduit de fumée télescopique

NOIRE



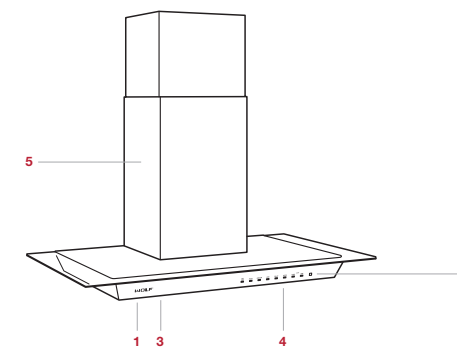
Hotte murale - 914 mm illustrée

ACIER INOXYDABLE



Hotte murale - 914 mm illustrée

VERRE



Hotte murale - 914 mm illustrée

Panneau de commande

NOIR

Pour utiliser la hotte d'aspiration, servez-vous du panneau de commande à effleurement situé sur le devant de la hotte. Les témoins apparaissent à l'afficheur du panneau de commande. Reportez-vous à l'illustration et au tableau ci-dessous.

VOYANT	FONCTION
1	Vitesse du moteur basse.
2	Vitesse du moteur moyenne.
3	Vitesse du moteur élevée.
HI	Le mode « Haute intensité » a été activé.
FC	Remplacez le filtre à charbon. (application de recyclage uniquement).
FG	Nettoyez les filtres à graisse.
FF	Le témoin des filtres a été remis à zéro.
IR	La télécommande a été activée/désactivée.

PANNEAU DE COMMANDE	FONCTION
	Élevée/Haute Intensité
	Moyenne
	Basse
	Temporisation
	Éclairage
	On (Marche)/Off (Arrêt)



Afficheur et panneau de commande noir.

ACIER INOXYDABLE OU VERRE

Pour utiliser la hotte d'aspiration, servez-vous du panneau de commande à effleurement situé sur le devant de la hotte. Mettez un doigt sur le voyant DEL et l'appareil détectera optiquement et activera l'option sélectionnée. Les voyants DEL pour les commandes activées s'allumeront. Reportez-vous à l'illustration ci-après.

PANNEAU DE COMMANDE	FONCTION
	On (Marche)/Off (Arrêt)
	Élevée/Haute Intensité
	Moyenne
	Basse
	Temporisation
	Filtre
	Éclairage - Élevé
	Éclairage - Faible

Panneau de commande en acier inoxydable ou en verre.

Panneau de commande

MOTEUR

Pour ajuster la vitesse du moteur, effleurez la touche ou . Effleurez à nouveau pour désactiver le moteur.

Pour lancer le mode haute intensité, effleurez la touche et maintenez-la enfoncée pendant 3 secondes. Le mode haute intensité augmente le débit d'air d'environ 20 %, mais ne peut être activé que pendant dix minutes au maximum. Au bout de 10 minutes, le moteur passe automatiquement à la vitesse sélectionnée précédemment.

TEMPORISATION

La fonction temporisation permet d'éteindre l'éclairage et le moteur automatiquement au bout de 10 minutes de fonctionnement.

FILTRE

Au bout d'environ 100 heures de fonctionnement, le témoin des filtres va signaler que les filtres doivent être nettoyés. Reportez-vous aux rubriques Retrait des filtres et Consignes d'entretien aux pages 6 et 7.

Pour les hottes noires, les témoins « FG » ou « FC » (application de recyclage) s'allumeront à l'affichage du panneau de commande. Pour remettre le témoin des filtres à zéro, effleurez la touche et maintenez-la enfoncée pendant 5 secondes jusqu'à ce que « FF » s'affiche.

Pour les hottes en acier inoxydable ou en verre, le voyant DEL s'allume sur le panneau de commande. Pour remettre le témoin des filtres à zéro, effleurez la touche pendant 5 secondes.

ÉCLAIRAGE

Pour les hottes noires, effleurez la touche pour un éclairage fort ou effleurez et maintenez-la enfoncée pendant deux secondes pour un éclairage atténué. Effleurez à nouveau pour éteindre l'éclairage.

Pour les hottes en acier inoxydable ou en verre, effleurez la touche ou . Effleurez à nouveau pour éteindre l'éclairage.

ON (Marche)/OFF (Arrêt)

Effleurez la touche pour mettre le moteur sur la vitesse basse. Effleurez à nouveau pour désactiver le moteur.

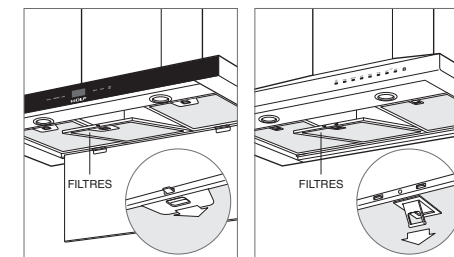
Retrait des filtres

Les filtres à graisse doivent être nettoyés lorsque le témoin des filtres s'allume sur le panneau de commande ou au bout d'environ 100 heures de fonctionnement. Les filtres peuvent passer au lave-vaisselle. Reportez-vous à la rubrique Consignes d'entretien.

Pour les hottes noires, pour accéder aux filtres, vous devez déverrouiller et tirer délicatement le rebord avant du panneau inférieur de la hotte pour qu'il puisse tourner vers le bas. Pour les hottes en acier inoxydable ou en verre, il n'y a pas de panneau inférieur.

Pour retirer les filtres, consultez les illustrations ci-dessous.

REMARQUE IMPORTANTE : Ne faites pas fonctionner la hotte aspirante sans les filtres à graisse.



Retrait des filtres - hotte noire

Retrait des filtres - acier inoxydable ou verre

Consignes d'entretien

NETTOYAGE

Acier inoxydable Utilisez un nettoyeur non abrasif pour acier inoxydable que vous appliquerez à l'aide d'un chiffon doux non pelucheux. Afin de faire ressortir le lustre naturel, essuyez légèrement la surface avec un chiffon en microfibre humide, puis avec une peau de chamois sèche. Déplacez toujours le chiffon dans le sens du grain de l'acier inoxydable.

Panneau de commande Utilisez un dégraissant aérosol pour enlever les traces de doigts et les taches d'origine alimentaire. Pulvérisez tout d'abord le produit sur un chiffon avant d'essuyer le panneau. Pulvérisez le produit nettoyant pour vitres sur un chiffon pour nettoyer le verre noir.

REMARQUE IMPORTANTE : Ne pulvérisez pas directement les produits nettoyants sur le module de commande.

Filtres Les filtres sont lavables au lave-vaisselle et leurs dimensions sont compatibles avec la plupart des lave-vaisselle. Essuyez les filtres pour retirer l'excès de graisse avant de les mettre au lave-vaisselle.

Dépistage des pannes

FONCTIONNEMENT

La hotte aspirante ne fonctionne pas.

- Vérifiez que l'appareil est sous tension.
- Vérifiez si la hotte aspirante est sous tension et si le disjoncteur de la maison est activé.

Le moteur marche mais pas l'éclairage.

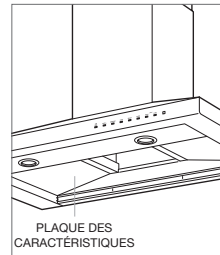
- Vérifiez que les ampoules ne sont pas grillées.

L'ampoule est grillée.

- L'éclairage DEL doit être remplacé par un prestataire agréé par l'usine Wolf.

SERVICE

- Maintenez la qualité qui fait partie intégrante de votre appareil en contactant un prestataire agréé par l'usine Wolf.
- Si vous nous contactez pour un service après-vente, vous devrez fournir la référence modèle et le numéro de série de votre appareil. Ces deux numéros figurent sur la plaque des caractéristiques du produit. Pour identifier l'emplacement de la plaque des caractéristiques, reportez-vous à l'illustration ci-après.
- Pour les besoins de la garantie, vous devrez aussi fournir la date d'installation et le nom de votre revendeur agréé Wolf. Ces renseignements doivent être consignés à la page 2 de ce guide.



Emplacement de la plaque des caractéristiques.

Garantie internationale limitée Wolf Appliance

À USAGE MÉNAGER

GARANTIE TOTALE DE DEUX ANS*

La garantie des appareils Wolf Appliance couvre, pendant deux ans à compter de la date de l'installation initiale, tous les frais de pièces et de main d'œuvre pour réparer ou remplacer, dans des conditions d'utilisation ménagère normales, toute pièce du produit qui présenterait des défauts causés par des vices de matériau ou de fabrication. Tous les services offerts par Wolf Appliance dans le cadre de la garantie définie ci-dessus doivent être exécutés par un prestataire agréé par l'usine Wolf, sauf en cas d'exception particulière spécifiée par Wolf Appliance, Inc. Les services seront exécutés pendant les heures normales ouvrées.

GARANTIE LIMITÉE DE CINQ ANS

Wolf Appliance s'engage à réparer ou remplacer, pendant cinq ans à compter de la date de l'installation initiale, les pièces suivantes qui présenteraient des défauts causés par des vices de matériau ou de fabrication : plateau à briquettes en acier inoxydable, robinets de gaz, cuvettes des brûleurs, les panneaux de commande électroniques et les résistances chauffantes. Si le propriétaire de l'appareil a recours à un prestataire agréé par l'usine Wolf, celui-ci va réparer ou remplacer ces pièces et le propriétaire couvrira tous les autres frais, y compris les frais de main-d'œuvre. Si le propriétaire a recours à un prestataire non agréé, il doit contacter Wolf Appliance, Inc. (vois les coordonnées ci-après) pour recevoir les pièces de rechange ou les pièces réparées. Wolf Appliance ne remboursera pas le propriétaire pour les pièces achetées auprès de prestataires ou de tout autre fournisseur non agréés.

Pour plus de détails concernant la garantie des produits Wolf, veuillez contacter votre concessionnaire agréé Wolf. Les garanties doivent respecter la législation en vigueur au niveau national, régional ou local.

*Les pièces en acier inoxydable (portes, panneaux, poignées, parties du cadre et surfaces intérieures) sont couvertes par une garantie limitée de 60 jours pour pièces et main d'œuvre pour tout vice cosmétique.



Indice

- 2 Precauzioni di sicurezza
- 5 Caratteristiche della cappa
- 6 Funzionamento della cappa
- 6 Consigli per la manutenzione
- 7 Risoluzione dei problemi
- 7 Garanzia Wolf

Assistenza clienti

Il modello e il numero di serie sono indicati sull'etichetta identificativa del prodotto. Consultare pagina 5 per la posizione dell'etichetta identificativa. Ai fini della garanzia sono inoltre necessari la data di installazione e il nome del rivenditore Wolf autorizzato presso il quale è stato effettuato l'acquisto. Conservare le seguenti informazioni a titolo di riferimento futuro.

Se il prodotto richiede assistenza, rivolgersi a un servizio di assistenza certificato Wolf.

INFORMAZIONI SUL SERVIZIO DI ASSISTENZA

Numero del modello
Numero di serie
Data di installazione
Nome del centro di assistenza autorizzato
Numero di assistenza certificato
Rivenditore autorizzato
Numero del rivenditore

Nota importante

Per garantire un'installazione e un funzionamento sicuri ed efficaci di questo prodotto, prestare attenzione alle seguenti informazioni evidenziate all'interno della guida:

NOTA IMPORTANTE evidenzia informazioni di particolare rilievo.

ATTENZIONE indica una situazione in cui possono verificarsi lesioni alle persone o danni di lieve entità al prodotto in caso di mancata osservanza delle istruzioni.

AVVERTENZA indica un rischio che potrebbe causare gravi lesioni o morte in caso di mancata osservanza delle precauzioni.

ISTRUZIONI IMPORTANTI

LEGGERE E CONSERVARE QUESTE ISTRUZIONI

- Leggere attentamente la presente guida all'uso e alla manutenzione prima di utilizzare la nuova cappa di ventilazione per ridurre il rischio di incendi, scosse elettriche o lesioni alle persone.
- Verificare la correttezza di installazione e manutenzione. Rivolgersi a un tecnico specializzato per la corretta installazione e messa a terra dell'elettrodomestico.
- Il servizio di garanzia deve essere eseguito da un centro di assistenza certificato di Wolf.
- I lavori di installazione e di cablaggio elettrico devono essere eseguiti da persone qualificate, nel rispetto di tutte le normative e gli standard applicabili, inclusi quelli antincendio.
- Questo elettrodomestico non è destinato all'uso da parte di bambini o persone con ridotte capacità fisiche, sensoriali o mentali oppure prive di esperienza e conoscenza, a meno che non siano sorvegliati o non siano stati istruiti sull'uso.

ISTRUZIONI IMPORTANTI

⚠ AVVERTENZA

PER RIDURRE IL RISCHIO DI INCENDIO, SCOSSA ELETTRICA O LESIONI ALLA PERSONA, OSSERVARE QUANTO SEGUE:

- a) Utilizzare l'apparecchio solo come previsto dal produttore. Per ulteriori informazioni, consultare il produttore stesso.
- b) Prima di interventi di manutenzione o pulizia, disconnettere o spegnere l'apparecchiatura dal pannello di assistenza e bloccare i dispositivi per la disconnessione per evitare accensioni accidentali. Quando non è possibile bloccare i dispositivi per la disconnessione di servizio affiggere un'avvertenza ben visibile come un'etichetta, al pannello di servizio.

⚠ AVVERTENZA

Questo elettrodomestico può essere utilizzato da bambini di età superiore a 8 anni e da persone con ridotte capacità fisiche, sensoriali o mentali o prive dell'esperienza e competenza necessaria, a condizione che abbiano ricevuto supervisione o istruzioni adeguate per un utilizzo sicuro dell'apparecchio e che ne abbiano compreso i potenziali pericoli. I bambini non devono giocare con l'apparecchio. La pulizia e la manutenzione non devono essere eseguite da bambini senza supervisione.

PRECAUZIONI GENERALI DI SICUREZZA

- Provvedere a un'adeguata ventilazione della sala quando si utilizza la cappa con altri elettrodomestici a combustione di gas o altri carburanti.
- Non azionare ventole con cordone o spina danneggiati. Eliminare la ventola o consegnare la stessa a un centro di assistenza autorizzato per l'esame e/o riparazione.
- Questo elettrodomestico deve essere dotato di messa a terra.

⚠ ATTENZIONE

Solo per utilizzi di aerazione generali. Non utilizzare come scarico di materiali e vapori pericolosi o esplosivi.

- Le ventole con condotto devono sempre scaricare all'esterno.
- Per ridurre il rischio di incendi, utilizzare solo condotti di acciaio.
- Utilizzando questo elettrodomestico, non indossare indumenti ampi o svolazzanti. Possono essere bruciati dai fornelli del piano cottura.

ISTRUZIONI IMPORTANTI

PRECAUZIONI GENERALI DI SICUREZZA

- Non riparare o sostituire alcuna parte del dispositivo se non specificamente consigliato nella presente guida. Tutti gli interventi di riparazione devono essere eseguiti da un tecnico qualificato.
- Per evitare danni ai cuscinetti e sbilanciamenti o rumorosità delle ventole, proteggere l'unità da rivestimenti spray per pareti, polvere ecc.
- Quando si eseguono tagli o fori sulla parete o il soffitto, non danneggiare il cablaggio elettrico o attrezzature di servizio nascoste.
- Per ulteriori informazioni e normative, leggere l'etichetta delle specifiche presente sulla cappa di ventilazione.

⚠ ATTENZIONE

Per ridurre il rischio di incendio e scaricare l'aria in maniera adeguata, convogliare l'aria all'esterno nel modo appropriato. Non dirigere l'aria di scarico in spazi chiusi, soffitte o attici, passi d'uomo o garage.

⚠ ATTENZIONE

Le parti accessibili possono diventare bollenti durante l'utilizzo con gli elettrodomestici.

⚠ AVVERTENZA

PER RIDURRE IL RISCHIO DI INCENDIO DA GRASSO DELLA CUCINA:

- a) Non lasciare mai le superfici incustodite a temperature molto elevate. Fuoriuscite o schizzi di olio potrebbero provocare fumo o fiamme. Riscaldare lentamente l'olio a temperature basse o medie.
- b) **ACCENDERE** sempre la cappa quando si cucina ad alte temperature.
- c) Pulire le ventole regolarmente. Evitare l'accumulo di grasso nella ventola o nel filtro.
- d) Utilizzare pentole di dimensioni adeguate. Utilizzare sempre pentole adeguate alle dimensioni dell'elemento della superficie.
- e) Non preparare piatti flambé al di sotto della cappa.

ISTRUZIONI IMPORTANTI

PRECAUZIONI GENERALI DI SICUREZZA

⚠ AVVERTENZA

AL FINE DI RIDURRE IL RISCHIO DI LESIONI A PERSONE IN CASO DI INCENDIO DA GRASSO DELLA CUCINA PROFESSIONALE, ATTENERSI ALLE SEGUENTI PRECAUZIONI:

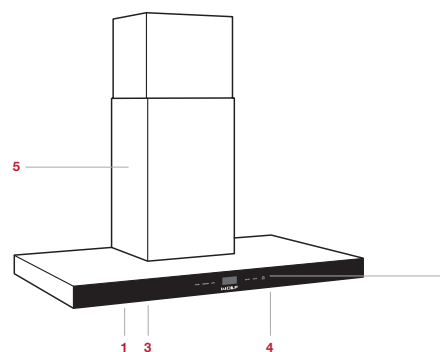
- a) **SOFFOCARE LE FIAMME** con un coperchio ben aderente, una teglia o altro vassoio metallico, quindi spegnere il fornello. **ATTENZIONE A EVITARE USTIONI.**
Se la fiamma non si spegne subito, **EVACUARE LA ZONA E CHIAMARE I VIGILI DEL FUOCO.**
- b) **NON AFFERRARE MAI UNA PENTOLA IN FIAMME** onde evitare ustioni.
- c) **NON UTILIZZARE ACQUA**, panni o spugnette bagnate: il vapore può causare violente esplosioni.
- d) Utilizzare un estintore **SOLO** se:
 - 1) Si dispone di un estintore di classe ABC che si sa utilizzare.
 - 2) L'incendio è piccolo e circoscritto all'area di origine.
 - 3) Sono stati chiamati i vigili del fuoco.
 - 4) Si può contrastare l'incendio con la schiena rivolta verso un'uscita.

*Secondo il documento "Kitchen Fire Safety Tips" pubblicato dalla NFPA.

CARATTERISTICHE CAPPA DI VENTILAZIONE

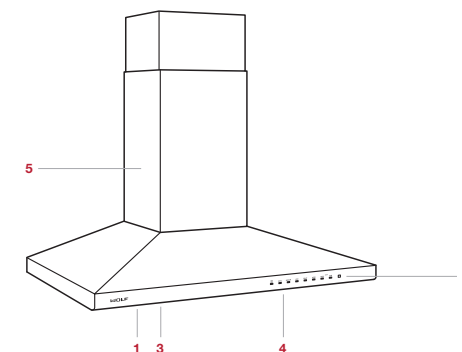
CARATTERISTICA	
1	Etichetta identificativa del prodotto (sopra i filtri)
2	Pannello di controllo
3	Filtri
4	Illuminazione a LED
5	Canna fumaria telescopica.

NERO



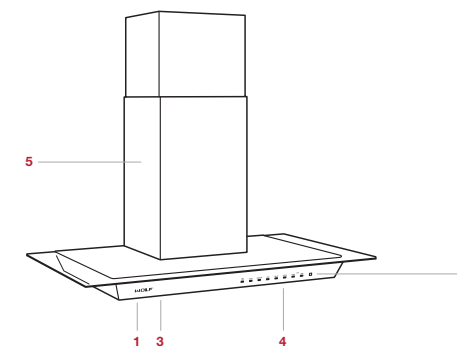
Cappa da parete da 914 mm

INOSSIDABILE



Cappa da parete da 914 mm

VETRO



Cappa da parete da 914 mm

Pannello di controllo

NERO

Per attivare la cappa di ventilazione, utilizzare il pannello a controllo tattile situato nella parte anteriore della cappa. Le spie saranno visibili sul display del pannello di controllo. Consultare la tabella e la figura riportate di seguito.

INDICATORE	FUNZIONE
1	Velocità soffiante bassa.
2	Velocità soffiante media.
3	Velocità soffiante alta.
HI	Boost attivo.
FC	Sostituire il filtro del carbone (solo per il ricircolo).
FG	Pulire i filtri del grasso.
FF	Spia filtro ripristinata.
IR	Controllo remoto attivo/disattivo.

PANNELLO DI CONTROLLO	FUNZIONE
	Alta/Boost
	Media
	Bassa
	Ritardo
	Luce
	On/Off



Pannello di controllo e display nero.

ACCIAIO/VETRO

Per azionare la cappa di ventilazione, utilizzare il pannello di controllo situato nella parte anteriore della cappa. Posizionare un dito sulla spia LED per consentire all'unità di eseguire il rilevamento ottico e l'attivazione dell'azione selezionata. Le spie LED dei comandi attivati si illuminano. Fare riferimento alla figura di seguito.

PANNELLO DI CONTROLLO	FUNZIONE
	On/Off
	Alta/Boost
	Media
	Bassa
	Ritardo
	Filtro
	Luce - Alta
	Luce - Bassa

Pannello di controllo acciaio/vetro.

Pannello di controllo

SOFFIANTE

Per regolare la velocità della soffiante, toccare o o . Toccare nuovamente per spegnere la soffiante.

Per avviare la modalità Boost, toccare e tenere premuto per 3 secondi. La modalità Boost aumenta la portata d'aria di circa il 20% in più rispetto alla massima, ma funziona per un massimo di 10 minuti. Dopo 10 minuti, la soffiante torna automaticamente alla velocità selezionata in precedenza.

RITARDO

La funzione di ritardo si spegne automaticamente le luci e la soffiante dopo 10 minuti di funzionamento.

FILTRO

Dopo circa 100 ore di funzionamento, la spia del filtro segnala la necessità di pulizia dello stesso. Consultare la sezione dedicata a rimozione e manutenzione del filtro a pagina 6-7.

Sulle cappe nere, le spie "FG" o "FC" (applicazione del ricircolo) si illuminano sul display del pannello di controllo. Per azzerare la spia del filtro, toccare e tenere premuto per 5 secondi fino a visualizzare "FF" sul display.

Sulle cappe in acciaio/vetro, il LED si illumina sul pannello di controllo. Per azzerare la spia del filtro, toccare per 5 secondi.

LUCE

Sulle cappe nere, toccare per l'impostazione "alta" o toccare e tenere premuto il pulsante per 2 secondi per l'impostazione "bassa". Toccare nuovamente il pulsante per spegnere la luce.

Sulle cappe in acciaio/vetro, toccare o . Toccare nuovamente il pulsante per spegnere la luce.

ON/OFF

Toccare per impostare la soffiante su "bassa". Toccare nuovamente per spegnere la soffiante.

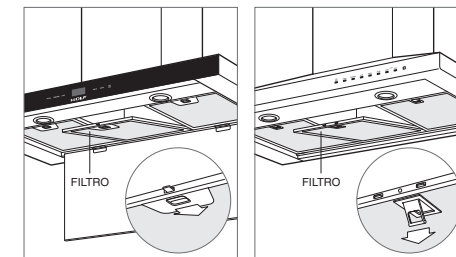
Rimozione dei filtri

I filtri del grasso devono essere puliti quando la spia del filtro si illumina sul pannello di controllo o dopo circa 100 ore di funzionamento. I filtri possono essere lavati in lavastoviglie. Consultare la sezione relativa ai consigli per la manutenzione.

Per accedere ai filtri sulle cappe nere, rilasciare il fermo e spingere delicatamente verso il basso il bordo anteriore del pannello inferiore della cappa, consentendogli di ruotare verso il basso. Sulle cappe in acciaio/vetro, il pannello inferiore non è presente.

Fare riferimento alle figure riportate di seguito per la rimozione dei filtri.

NOTA IMPORTANTE: Non azionare la cappa di ventilazione senza i filtri del grasso.



Rimozione dei filtri - nero.

Rimozione dei filtri - acciaio/vetro.

Consigli per la manutenzione

PULIZIA	
Acciaio inossidabile	Applicare un detergente per acciaio inossidabile non abrasivo utilizzando un panno morbido privo di lanugine. Per far risaltare la lucentezza naturale, pulire delicatamente la superficie con un panno in microfibra umido e poi con un panno di camoscio asciutto. Seguire sempre la trama dell'acciaio inossidabile.
Pannello di controllo	Usare uno sgrassatore spray per rimuovere impronte digitali e macchie di alimenti. Prima di pulire il pannello, spruzzare il detergente su un panno. Per la pulizia del vetro nero, spruzzare del detergente per vetri su un panno. NOTA IMPORTANTE: non spruzzare detergenti spray direttamente sul pannello di controllo.
Filtri	I filtri sono lavabili in lavastoviglie e adatti alla maggior parte dei modelli. Pulire i filtri per rimuovere il grasso in eccesso prima di inserirli in lavastoviglie.

Risoluzione dei problemi

FUNZIONAMENTO

La cappa di ventilazione non funziona.

- Verificare che l'elettrodomestico sia alimentato.
- Verificare che interruttore della cappa e l'interruttore generale dell'abitazione siano accesi.

La soffiante funziona ma le luci non funzionano.

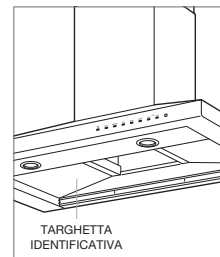
- Verificare che le lampadine non siano fulminate.

La lampadina è fulminata.

- Le lampade LED devono essere sostituite da un centro di assistenza certificato Wolf.

ASSISTENZA

- Per preservare la qualità del prodotto, contattare un centro autorizzato Wolf.
- Prima di contattare un centro di assistenza autorizzato, accertarsi di avere a portata di mano il numero di modello e di serie dell'unità. Entrambi i numeri sono riportati nella targhetta identificativa del prodotto. Per la posizione dell'etichetta identificativa, fare riferimento all'illustrazione seguente.
- Ai fini della garanzia è inoltre necessario avere a portata di mano la data di installazione e il nome del rivenditore Wolf autorizzato presso cui è stato effettuato l'acquisto. Tale informazione dovrebbe essere disponibile a pagina 2 della presente guida.



Posizione della targhetta identificativa.

Garanzia limitata internazionale dei prodotti Wolf Appliance

PER USO DOMESTICO

GARANZIA COMPLETA DI DUE ANNI*

Questa garanzia sui prodotti Wolf Appliance copre, fino a due anni dopo la data di installazione, tutte le parti e tutti i lavori di riparazione o sostituzione, in condizione di normale uso residenziale, di ogni parte del prodotto che si dimostri difettosa nei materiali o nella fabbricazione. Tutti i servizi di riparazione/manutenzione resi da Wolf, coperti dalla suddetta garanzia, devono essere eseguiti da centri autorizzati Wolf, se non diversamente specificato da Wolf Appliance, Inc. Il servizio di riparazione/manutenzione sarà fornito durante i regolari orari di lavoro.

GARANZIA LIMITATA DI 5 ANNI

Per cinque anni dalla data di installazione originale, Wolf Appliance ripara o sostituisce le seguenti parti che rivelino difetti di materiale o manodopera: vassoi con griglia in acciaio, valvole del gas, vaschette, schede elettroniche di controllo e elementi riscaldanti elettrici. Se il proprietario utilizza un centro di assistenza certificato Wolf, il centro assistenza riparerà o sostituirà le summenzionate parti ed al proprietario spetteranno tutti gli altri costi, inclusa la manodopera. Se il proprietario si rivolge ad un centro assistenza non certificato, il proprietario dovrà contattare Wolf Appliance, Inc. (utilizzando le informazioni che trova in basso) per ricevere le parti riparate o sostituite. Wolf Appliance non rimborserà il proprietario per parti ordinate presso un centro assistenza non certificato o altri.

Per maggiori informazioni sulla garanzia dei prodotti Wolf, contattate il vostro rivenditore autorizzato Wolf. Le garanzie devono osservare le leggi di tutti i paesi, stati, città, località.

*L'acciaio inossidabile (porte, pannelli, maniglie, telaio del prodotto e le superfici interne) è coperto da una garanzia limitata di 60 giorni su parti e manodopera per difetti cosmetici.



Inhaltsverzeichnis

- 2 Sicherheitshinweise
- 5 Leistungsmerkmale der Abzugshaube
- 6 Bedienung der Abzugshaube
- 6 Empfehlungen zur Pflege
- 7 Fehlersuche
- 7 Wolf-Garantie

Kundendienst

Die Modell- und Seriennummern sind auf dem Produkttypenschild aufgeführt. Die Typenschildposition ist auf Seite 5 angegeben. Für Garantiezwecke benötigen Sie außerdem das Datum der Installation und den Namen Ihres Wolf-Vertragshändlers. Zeichnen Sie die nachstehenden Informationen für zukünftige Nachschlagezwecke auf.

Wenn irgendwelche Arbeiten an Ihrem Produkt notwendig sind, ziehen Sie auf jeden Fall einen vom Wolf-Werk zugelassenen Serviceanbieter hinzu.

SERVICEINFORMATIONEN

Modellnummer
Seriennummer
Datum der Installation
Name des zertifizierten Service
Nummer des zertifizierten Service
Vertragshändler
Händlernummer

Wichtiger Hinweis

Um eine möglichst sichere und effiziente Installation dieses Produkts zu gewährleisten, beachten Sie bitte die folgenden Arten hervorgehobener Informationen in der gesamten Anleitung:

WICHTIGER HINWEIS hebt Informationen hervor, die besonders wichtig sind.

VORSICHT ist ein Hinweis auf eine Situation, die bei Nichtbeachtung der Anweisungen zu geringfügigen Personen- oder Sachschäden führen kann.

ACHTUNG weist auf eine Gefahr hin, die bei Nichtbeachtung der Anweisungen zu schweren Verletzungen oder zum Tod führen kann.

WICHTIGE ANWEISUNGEN

DIESE ANWEISUNGEN LESEN UND AUFBEWAHREN

- Lesen Sie diese Bedienungs- und Pflegeanleitung sorgfältig durch, bevor Sie Ihre neue Dunstabzugshaube benutzen, um der Gefahr von Brand, Stromschlag oder Personenschäden vorzubeugen.
- Achten Sie auf eine ordnungsgemäße Installation und Wartung. Dieses Gerät muss von einem qualifizierten Fachmann ordnungsgemäß angeschlossen und geerdet werden.
- Der Service während der Garantiezeit ist von einem zugelassenen Wolf-Kundendienstzentrum durchzuführen.
- Die Installationsarbeiten und elektrische Verdrahtung müssen von qualifizierten Personen und in Übereinstimmung mit allen geltenden Vorschriften und Standards, einschließlich der Brandschutzvorschriften und -standards bei Bauarbeiten, durchgeführt werden.
- Das Gerät ist nicht von Kindern oder Personen mit eingeschränkten physischen, sensorischen oder mentalen Fähigkeiten oder fehlenden Erfahrungen/Kenntnissen zu verwenden, es sei denn, sie stehen unter Aufsicht oder erhalten Anweisungen für die Verwendung.

WICHTIGE ANWEISUNGEN

⚠ ACHTUNG

UM DER GEFAHR VON BRAND, STROMSCHLAG ODER PERSONENSCHÄDEN VORZUBEUGEN, MUSS FOLGENDES BEACHTET WERDEN:

- a) Verwenden Sie dieses Gerät nur in der vom Hersteller beabsichtigten Weise. Bei Fragen wenden Sie sich an den Hersteller.
- b) Vor der Durchführung von Instandhaltungs- oder Reinigungsarbeiten am Gerät muss die Stromzufuhr am Schaltkasten ausgeschaltet und die Stromzufuhr abgesperrt werden, damit der Strom nicht versehentlich eingeschaltet werden kann. Wenn die Stromzufuhr nicht abgesperrt werden kann, muss ein auffälliges Warnschild am Schaltkasten angebracht werden.

⚠ ACHTUNG

Dieses Gerät kann von Kindern ab 8 Jahren und von Personen mit eingeschränkten physischen, sensorischen oder mentalen Fähigkeiten oder fehlenden Erfahrungen/Kenntnissen benutzt werden, wenn diese beaufsichtigt werden oder Anweisungen für die sichere Verwendung des Geräts erhalten haben und die damit zusammenhängenden Gefahren verstehen. Kinder dürfen mit dem Gerät nicht spielen. Reinigungs- und Wartungsarbeiten dürfen von Kindern nicht ohne Aufsicht durchgeführt werden.

ALLGEMEINE SICHERHEITSHINWEISE

- Es muss für eine ausreichende Entlüftung des Raums gesorgt werden, wenn die Dunstabzugshaube zur gleichen Zeit wie mit Gas oder anderen Brennstoffen betriebene Geräte verwendet wird.
- Einen Ventilator nicht betreiben, wenn das Kabel oder der Stecker beschädigt ist. Entsorgen Sie den Ventilator oder schicken Sie ihn an ein autorisiertes Kundendienstzentrum zwecks Prüfung und/oder Reparatur.
- Dieses Gerät muss geerdet werden.

⚠ VORSICHT

Nur für den allgemeinen Entlüftungsgebrauch. Nicht zum Absaugen von gefährlichen oder explosiven Stoffen oder Dämpfen verwenden.

- Abzugsschachtventilatoren müssen stets nach außen hin entlüften.
- Um das Brandrisiko zu verringern, nur Stahlrohre verwenden.
- Während der Verwendung dieses Geräts keine lose oder herabhängende Kleidung tragen. Sie kann sich an Brennern oder Elementen auf der Kochmulde entzünden.

WICHTIGE ANWEISUNGEN

ALLGEMEINE SICHERHEITSHINWEISE

- Keine Teile dieses Geräts reparieren oder ersetzen, wenn dies nicht ausdrücklich in dieser Anleitung empfohlen wird. Alle anderen Instandhaltungsarbeiten sollten von einem qualifizierten Techniker ausgeführt werden.
- Um Schäden an Motorlagern und Geräusche oder unsymmetrische Laufräder zu vermeiden, Spray für Trockenbauwand, Baustaub usw. vom Elektrokasten des Geräts fern halten.
- Beim Schneiden oder Bohren in Wand oder Decke darauf achten, dass keine Elektrokabel oder sonstige verdeckte Versorgungsleitungen beschädigt werden.
- Bitte das Etikett mit den technischen Daten auf der Abzugshaube lesen, das weitere Informationen und Anforderungen enthält.

⚠ VORSICHT

Um das Brandrisiko zu reduzieren und die Luft ordnungsgemäß abzusaugen, muss sichergestellt werden, dass die Luft nach außen geleitet wird. Abgesaugte Luft darf auf keinen Fall in Räume innerhalb von Wänden oder Decken oder in Speicher, Kriechkeller oder Garagen geleitet werden.

⚠ VORSICHT

Zugängliche Teile können während der Verwendung mit Kochgeräten heiß werden.

⚠ ACHTUNG

ZUR REDUZIERUNG DES RISIKOS VON BRENNENDEM FETT AUF DER KOCHMULDE BEACHTEN SIE FOLGENDES:

- a) Kochfelder auf keinen Fall unbeaufsichtigt auf hohen Einstellungen stehen lassen. Überlaufende Flüssigkeiten erzeugen Rauch und verschüttete Fette, die sich entzünden können. Öl langsam auf niedriger oder mittlerer Einstellung erhitzen.
- b) Beim Kochen mit starker Hitze immer die Dunstabzugshaube auf EIN schalten.
- c) Entlüftungsventilatoren häufig reinigen. An Ventilator oder Filter sollte sich kein Fett ansammeln.
- d) Einen Topf der richtigen Größe verwenden. Stets darauf achten, dass das Kochgeschirr für die Größe des Oberflächenelements geeignet ist.
- e) Auf keinen Fall unter der Dunstabzugshaube flambieren.

WICHTIGE ANWEISUNGEN

ALLGEMEINE SICHERHEITSHINWEISE

⚠ ACHTUNG

ZUR VERMEIDUNG VON VERLETZUNGEN DURCH BRENNENDES FETT AUF DEM HERD BEACHTEN SIE FOLGENDES*:

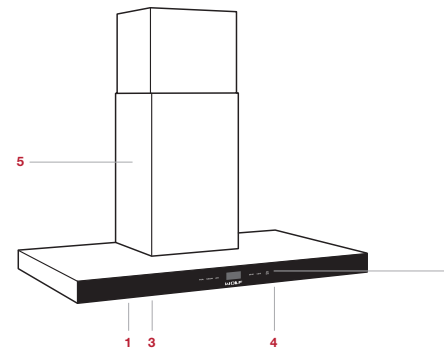
- a) **FLAMMEN** mit einem passenden Deckel, Backblech oder anderem Blech aus Metall **ERSTICKEN**, dann Brenner ausschalten. **ACHTEN SIE DARAUF, DASS SIE SICH NICHT VERBRENNEN.**
Wenn die Flammen nicht sofort erlöschen, **VERLASSEN SIE DEN RAUM UND RUFEN SIE DIE FEUERWEHR.**
- b) **NIEMALS EINEN BRENNENDEN TOPF ANFASSEN** – es besteht Verbrennungsgefahr.
- c) **KEIN WASSER VERWENDEN** – auch keine nassen Lappen oder Handtücher – da ansonsten eine heftige Dampfexplosion entsteht.
- d) Benutzen Sie einen Feuerlöscher **NUR:**
 - 1) wenn Sie einen Feuerlöscher der Klasse ABC haben und wissen, wie er zu bedienen ist.
 - 2) wenn das Feuer klein und auf den Bereich begrenzt ist, in dem es ausgebrochen ist.
 - 3) wenn die Feuerwehr gerufen wird.
 - 4) wenn Sie das Feuer mit dem Rücken zum Ausgang bekämpfen können.

*Basierend auf den von der NFPA veröffentlichten „Tipps zur Brandsicherheit in der Küche“.

Leistungsmerkmale der Abzugshaube

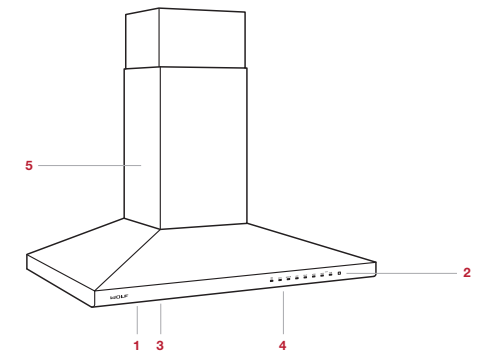
MERKMAL	
1	Produkttypenschild (über Filtern)
2	Bedienfeld
3	Filter
4	LED-Beleuchtung
5	Teleskop-Abzugsschacht

SCHWARZ



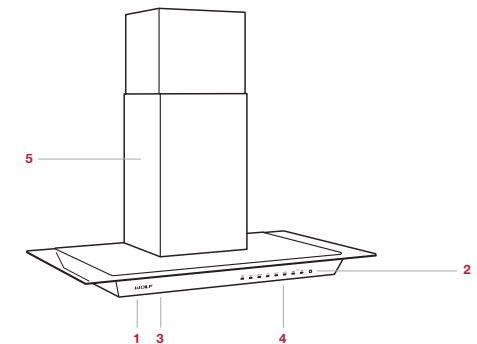
914-mm-Wandabzugshaube dargestellt

EDELSTAHL



914-mm-Wandabzugshaube dargestellt

GLAS



914-mm-Wandabzugshaube dargestellt

Bedienfeld

SCHWARZ

Zum Bedienen der Dunstabzugshaube das Berührungsbetätigungsfeld auf der Vorderseite der Haube verwenden. Die Anzeigen sind im Display des Bedienfeldes sichtbar. Siehe die Tabelle und Abbildung weiter unten.

ANZEIGE	FUNKTION
1	Niedrige Gebläsegeschwindigkeit
2	Mittlere Gebläsegeschwindigkeit
3	Hohe Gebläsegeschwindigkeit
HI	Verstärkung wurde aktiviert.
FC	Aktivkohlefilter ersetzen (nur Umwälzanwendung).
FG	Fettfilter reinigen.
FF	Filteranzeige wurde zurückgesetzt.
IR	Fernsteuerung wurde aktiviert/deaktiviert.

BEDIENFELD	FUNKTION
	Hoch/Verstärkung
	Mittel
	Niedrig
	Verzögerung
	Lampe
	Ein/Aus



Schwarzes Bedienfeld und Display

EDELSTAHL/GLAS

Zum Bedienen der Dunstabzugshaube das Bedienfeld auf der Vorderseite der Haube verwenden. Einen Finger auf die LED Anzeige setzen; das Gerät erkennt die gewählte Option optisch und aktiviert sie. Die LED-Anzeigen für die aktivierten Bedienelemente leuchten. Siehe Abbildung unten.

BEDIENFELD	FUNKTION
	Ein/Aus
	Hoch/Verstärkung
	Mittel
	Niedrig
	Verzögerung
	Filter
	Beleuchtung – Hoch
	Beleuchtung – Niedrig



Edelstahl-/Glas-Bedienfeld

Bedienfeld

GEBLÄSE

Zum Einstellen der Gebläsegeschwindigkeit oder berühren. Erneut berühren, um das Gebläse auszuschalten.

Zum Einleiten des Verstärkungsmodus berühren und 3 Sekunden lang gedrückt halten. Der Verstärkungsmodus erhöht den Luftstrom um ca. 20 % über die hohe Einstellung, ist allerdings auf 10 Minuten begrenzt. Nach 10 Minuten wechselt das Gebläse automatisch auf die vorher gewählte Geschwindigkeit.

VERZÖGERUNG

Mit der Verzögerungsfunktion werden die Lampen und das Gebläse nach 10 Minuten Betrieb automatisch abgeschaltet.

FILTER

Nach einer Betriebszeit von ca. 100 Stunden signalisiert die Filteranzeige, dass die Filter gereinigt werden müssen. Siehe die Anweisungen zum Ausbauen der Filter und die Empfehlungen für die Reinigung auf Seite 6-7.

Bei schwarzen Abzugshauben leuchtet „FG“ oder „FC“ (Umwälzanwendung) auf dem Display des Bedienfeldes. Um die Filteranzeige zurückzusetzen, berühren und 5 Sekunden lang gedrückt halten, bis auf dem Display „FF“ eingeblendet wird.

Bei Edelstahl-/Glasabzugshauben leuchtet die LED auf dem Bedienfeld. Um die Filteranzeige zurückzusetzen, 5 Sekunden lang berühren.

LAMPE

Bei schwarzen Abzugshauben für „Hoch“ berühren oder das Symbol 2 Sekunden lang gedrückt halten, um auf „Niedrig“ zu wechseln. Erneut berühren, um die Lampen auszuschalten.

Bei Edelstahl-/Glasabzugshauben oder berühren. Erneut berühren, um die Lampen auszuschalten.

EIN/AUS

berühren, um das Gebläse auf „Niedrig“ zu schalten. Erneut berühren, um das Gebläse auszuschalten.

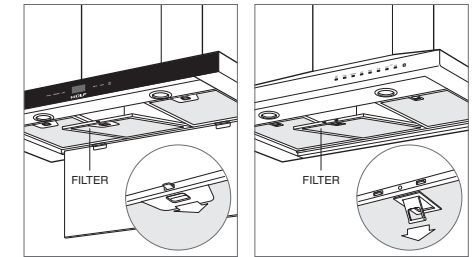
Ausbauen der Filter

Die Fettfilter sollten gereinigt werden, wenn die Filteranzeige auf dem Bedienfeld leuchtet oder nach ca. 100 Betriebsstunden. Die Filter sind spülmaschinenfest. Siehe Empfehlungen für die Pflege.

Bei schwarzen Abzugshauben wird für den Zugriff auf die Filter die Arretierung gelöst und die Vorderkante der unteren Platte der Abzugshaube vorsichtig nach unten gezogen, damit sie nach unten gedreht werden kann. Bei Edelstahl-/Glasabzugshauben gibt es keine untere Platte.

Beziehen Sie sich zum Ausbauen der Filter auf die nachstehenden Abbildungen.

WICHTIGER HINWEIS: Die Dunstabzugshaube darf nicht ohne Fettfilter betrieben werden,



Ausbauen des Filters – schwarz Ausbauen des Filters – Edelstahl/ Glas

Empfehlungen zur Pflege

REINIGUNG

Edelstahl Einen nicht scheuernden Edelstahlreiniger verwenden und mit einem weichen, fusselfreien Tuch auftragen. Einen natürlichen Glanz erzielen Sie, indem Sie die Oberfläche mit einem feuchten Mikrofasertuch, dann mit einem trockenen Polierleder leicht abwischen. Stets in Richtung der Maserung des Edelstahls arbeiten.

Bedienfeld Fingerabdrücke und Verschmutzungen durch Essensreste mit einem Entfettungsspray entfernen. Zuerst auf ein Tuch sprühen, bevor Sie das Bedienfeld abwischen. Glasreiniger auf ein Tuch sprühen und schwarzes Glas reinigen.

WICHTIGER HINWEIS: Reinigungsmittel nicht direkt auf das Bedienfeld sprühen.

Filter Die Filter sind spülmaschinenfest und so konzipiert, dass sie in die meisten Geschirrspülmaschinen passen. Filter abwischen, um überschüssiges Fett zu entfernen, bevor die Gegenstände in der Spülmaschine gespült werden.

Fehlersuche

BEDIENUNG

Die Dunstabzugshaube funktioniert nicht.

- Sicherstellen, dass der Strom eingeschaltet ist.
- Sicherstellen, dass die Stromzufuhr zur Abzugshaube und der Schutzschalter im Haus eingeschaltet sind.

Gebläse läuft, aber die Lampen funktionieren nicht.

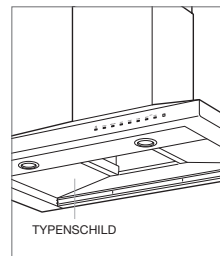
- Sicherstellen, dass die Glühlampen nicht ausgebrannt sind.

Die Glühbirne ist ausgebrannt.

- Die LED-Beleuchtung ist von einem zugelassenen Wolf-Kundendienstzentrum auszutauschen.

SERVICE

- Halten Sie die in Ihr Produkt integrierte Qualität aufrecht, indem Sie sich an ein zugelassenes Wolf-Kundendienstzentrum wenden.
- Wenn Sie sich mit dem Kundendienst in Verbindung setzen, benötigen Sie die Modell- und Seriennummern Ihres Produkts. Beide Nummern sind auf dem Produkttypenschild aufgeführt. Die Position des Typenschildes entnehmen Sie der Abbildung unten.
- Für Garantiezwecke benötigen Sie außerdem das Datum der Installation und den Namen Ihres Wolf-Vertragshändlers. Diese Informationen sollten auf Seite 2 dieser Anleitung aufgezeichnet werden.



Typenschildposition

Wolf Appliance International – Eingeschränkte Garantie

NICHT ZUM GEWERBLICHEN GEBRAUCH

VOLLSTÄNDIGE ZWEIJAHRESGARANTIE*

Ab dem Datum der ersten Installation deckt diese Produktgarantie von Wolf Appliance für die Dauer von zwei Jahren alle Teile und Lohnkosten für die Reparatur oder den Austausch von Teilen des Produktes ab, an dem bei normalem, nicht-gewerblichem Gebrauch Material- oder Verarbeitungsmängel festgestellt wurden. Alle von Wolf Appliance im Rahmen der vorstehenden Garantie erbrachten Leistungen müssen, wenn von Wolf Appliance, Inc. nicht anderweitig festgelegt, von einem zugelassenen Wolf-Kundendienstzentrum erbracht werden. Die Leistungen werden zu den normalen Geschäftszeiten erbracht.

EINGESCHRÄNKTE FÜNF-JAHRES-GARANTIE

Ab dem Datum der ersten Installation repariert oder ersetzt Wolf Appliance fünf Jahre lang die folgenden Teile, bei welchen Material- oder Verarbeitungsmängel festgestellt wurden: Brikketschalen aus Edelstahl, Gasventile, Auffangwannen, elektronische Steuerplatinen und elektrische Heizelemente. Wenn der Eigentümer ein zugelassenes Wolf-Kundendienstzentrum verwendet, führt der Serviceanbieter die Reparaturarbeiten oder den Ersatz dieser Teile aus, wobei der Eigentümer für alle anderen Kosten aufkommt, einschließlich Arbeitskosten. Wenn der Eigentümer einen nicht zugelassenen Serviceanbieter verwendet, muss sich der Eigentümer mit Wolf Appliance, Inc. (anhand der nachstehenden Informationen) in Verbindung setzen, um reparierte oder Ersatzteile zu erhalten. Wolf Appliance erstattet dem Eigentümer keine Kosten für Teile, die von einem nicht zugelassenen Servicezentrum oder anderen Quellen erworben wurden.

Weitere Informationen zur Produktgarantie von Wolf erhalten Sie von Ihrem Wolf-Vertragshändler. Die Garantien müssen allen Landes-, Bundes-, Orts- und lokalen Vorschriften entsprechen.

*Für Edelstahl (Türen, Bleche, Griffe, Produktrahmen und Innenflächen) gilt eine eingeschränkte Garantie von 60 Tagen für Teile und Lohnkosten zur Behebung von Schönheitsfehlern.



Inhoud

- 2 Veiligheidsmaatregelen
- 5 Functies afzuigkap
- 6 Bediening afzuigkap
- 6 Aanbevelingen voor onderhoud
- 7 Probleemoplossing
- 7 Wolf-garantie

Klantenservice

Het model en serienummer staan op het producttypeplaatje. Zie pagina 5 voor locatie typeplaatje. Voor de garantie moet ook de installatiedatum en de naam van uw erkende Wolf-dealer bekend zijn. Noteer die gegevens hieronder.

Als er ooit naar uw product moet worden gekeken, maak dan gebruik van een door Wolf erkende serviceprovider.

SERVICE-INFORMATIE

Modelnummer

Serienummer

Installatiedatum

Naam gecertificeerde service

Nummer gecertificeerde service

Erkende dealer

Dealernummer

Belangrijke opmerking

Let voor een veilige en efficiënte installatie en bediening van dit product op de volgende soorten aanduidingen in deze handleiding:

BELANGRIJK duidt op informatie van bijzonder belang.

VOORZICHTIG duidt op een situatie waar licht letsel of schade kan optreden als instructies niet worden gevolgd.

WAARSCHUWING duidt op gevaar voor ernstig letsel of overlijden als de voorzorgsmaatregelen niet worden nageleefd.

BELANGRIJKE INSTRUCTIES

LEES EN BEWAAR DEZE INSTRUCTIES

- Lees deze handleiding voor gebruik en onderhoud zorgvuldig voordat u uw nieuwe afzuigkap gebruikt om risico op brand, elektrische schokken of letsel te verminderen.
- Zorg voor een goede installatie en onderhoudsvoorziening. Dit toestel moet naar behoren worden geïnstalleerd en geaard door een gekwalificeerde technicus.
- Garantie-onderhoud moet worden uitgevoerd door een door Wolf-fabriek erkende service.
- De installatie en de elektrische bedrading moeten worden uitgevoerd door gekwalificeerd personeel en volgens alle geldende voorschriften en normen, met inbegrip van brandwerende constructiecodes en -normen.
- Het apparaat is niet bedoeld voor gebruik door kinderen of personen met verminderde lichamelijke, zintuiglijke of geestelijke vermogens of gebrek aan ervaring en kennis, tenzij zij onder begeleiding of na onderricht.

BELANGRIJKE INSTRUCTIES

⚠ WAARSCHUWING

OM HET RISICO OP BRAND, ELEKTRISCHE SCHOK OF PERSOONLIJK LETSEL TE VERMINDEREN, LET OP HET VOLGENDE:

- A)** Gebruik dit apparaat alleen op de door de fabrikant bedoelde manier. Neem bij vragen contact op met de fabrikant.
- B)** Haal voordat u het apparaat onderhoudt of reinigt de stekker uit het stopcontact of schakel de stroom uit op het servicepaneel en vergrendel de voedingsschakelaar om te voorkomen dat de stroom per ongeluk wordt ingeschakeld. Als de voedingsschakelaar niet kan worden vergrendeld, bevestig dan een duidelijke waarschuwingsvoorziening zoals een label aan het servicepaneel.

⚠ WAARSCHUWING

Dit apparaat mag door kinderen van 8 jaar of ouder gebruikt worden en door personen met lichamelijke, zintuiglijke of verstandelijke beperkingen of met onvoldoende ervaring of kennis, mits onder toezicht of voorzien van instructies over het veilig gebruik van het apparaat en zij de hieraan verbonden risico's hebben begrepen. Zorg ervoor dat kinderen niet spelen met het apparaat. Reiniging en gebruiksonderhoud mag niet zonder toezicht door kinderen uitgevoerd worden.

ALGEMENE VEILIGHEIDSMATREGELEN

- De kamer moet afdoende worden geventileerd als de afzuigkap op hetzelfde moment wordt gebruikt als toestellen gas of andere brandstoffen verbranden.
- Gebruik geen ventilator met een beschadigd snoer of stekker. Gooi de ventilator weg of breng naar een erkende onderhoudsdienst voor onderzoek en/of reparatie.
- Dit apparaat moet worden geaard.

⚠ VOORZICHTIG

Alleen voor algemene ventilatie. Niet gebruiken om gevaarlijke of explosieve stoffen en dampen af te voeren.

- Geleide ventilators moeten altijd naar de buitenlucht worden afgevoerd.
- Gebruik alleen metalen leidingen om het risico op brand te verkleinen.
- Draag geen wijde of loshangende kleding tijdens het bedienen van dit toestel. Deze kan vlam vatten door branders of elementen op de kookplaat.

BELANGRIJKE INSTRUCTIES

ALGEMENE VEILIGHEIDSMATREGELEN

- Repareer of vervang geen onderdelen van dit apparaat, tenzij dat in deze gids expliciet wordt aanbevolen. Al het andere onderhoud moet door een gekwalificeerde technicien worden uitgevoerd.
- Zorg om schade aan de motorlagers en luidruchtige of instabiele waaiers te voorkomen, dat gipsplaatspray, bouwstof, enz niet op het apparaat terechtkomen.
- Zorg dat bij het zagen of boren in de muur of het plafond, geen elektrische bedrading of andere verborgen voorzieningen worden beschadigd.
- Zie het label met specificaties op de afzuigkap voor meer informatie en vereisten.

⚠ VOORZICHTIG

Zorg om het risico op brand te verminderen en om de lucht goed af te voeren, dat de lucht naar buiten wordt geleid. Voer de lucht niet af naar ruimten binnen muren of naar de zolder, kruipruimtes of garages.

⚠ VOORZICHTIG

Toegankelijke onderdelen kunnen heet worden bij gebruik met kookapparatuur.

⚠ WAARSCHUWING

OM HET RISICO VAN EEN FORNUISBRAND TE VOORKOMEN:

- A) Laat fornuizen nooit zonder toezicht ingeschakeld staan op een hoge instelling. Overkokende olie en vet kan gaan roken en vlam vatten. Verhit olie langzaam op een lage of matige stand.
- b) Zet de kap altijd aan tijdens het koken op hoog vuur.
- c) Reinig de waaiers van de ventilator regelmatig. Er mag zich geen vet ophopen op de ventilator of filter.
- D) Gebruik pannen met de juiste omvang. Gebruik altijd pannen die geschikt zijn voor de grootte van oppervlakte-element.
- e) Geen voedsel flamberen onder de afzuigkap.

BELANGRIJKE INSTRUCTIES

ALGEMENE VEILIGHEIDSMATREGELEN

⚠ WAARSCHUWING**OM HET RISICO VAN LETSEL BIJ EEN FORNUISBRAND TE VOORKOMEN:**

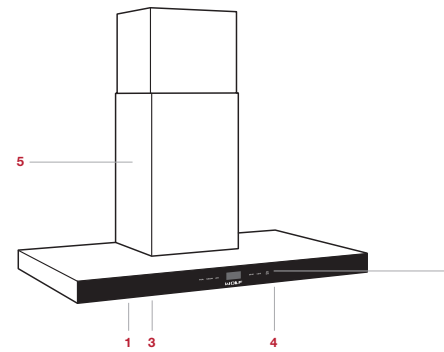
- A) DOOF VLAMMEN** met een goed afsluitend deksel, bakplaat of metalen plaat, schakel dan de brander uit. **ZORG DAT U GEEN BRANDWONDEN OPLOOPT.** Als de vlammen niet onmiddellijk uitgaan, **VERLAAT DAN HET GEBIED EN BEL DE BRANDWEER.**
- b) PAK NOOIT EEN BRANDENDE PAN OP:** u kunt zich branden.
- c) GEBRUIK GÉÉN WATER,** ook geen natte thee- of handdoeken - dit leidt tot een gevaarlijke stoomexplosie.
- d) Gebruik ALLEEN een brandblusser als:**
- 1) U weet dat u een ABC-klasse blusser hebt, en u al weet hoe die moet worden bediend.**
 - 2) De brand klein is en beperkt blijft tot het gebied waar die is begonnen.**
 - 3) De brandweer is gebeld.**
 - 4) U de brand kunt blussen met uw rug naar een uitgang.**

*Ontleend aan "Keukenbrand veiligheidstips" gepubliceerd door NFPA.

Functies afzuigkap

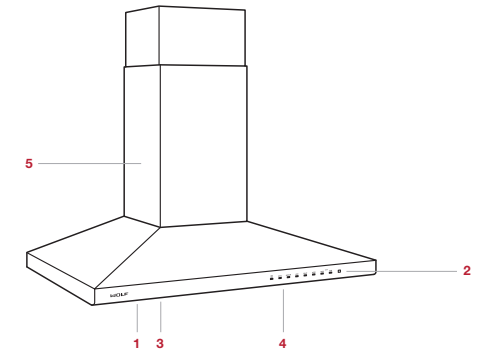
FUNCTIE	
1	Producttypeplaat (boven filters)
2	Bedieningspaneel
3	Filters
4	Led-verlichting
5	Rookgassen telescopische schoorsteen

ZWART



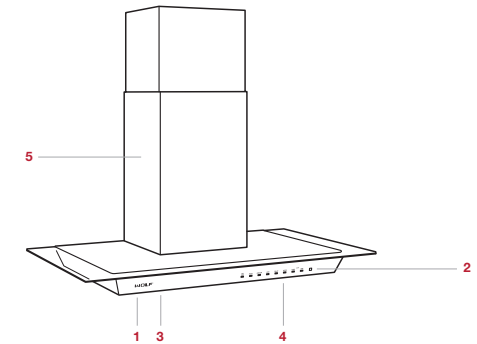
914 mm wandafzuigkap weergegeven.

ROESTVRIJ



914 mm wandafzuigkap weergegeven.

GLAS



914 mm wandafzuigkap weergegeven.

Bedieningspaneel

ZWART

Maak voor de bediening van de afzuigkap gebruik van het aanraakpaneel aan de voorkant van de kap. Op het interne display zijn indicatoren zichtbaar. Zie de tabel en illustratie hieronder.

INDICATOR	FUNCTIE
1	Lage ventilatorsnelheid.
2	Medium ventilatorsnelheid.
3	Hoge ventilatorsnelheid.
HI	Boost is geactiveerd.
FC	Vervang koolstoffilter. (alleen in hercirculatie-toepassing).
FG	Reinig vetfilters.
FF	Filterindicator is opnieuw ingesteld.
IR	Afstandsbediening is ingeschakeld/uitgeschakeld.

BEDIENINGSPANEEL	FUNCTIE
	Hoog /Boost
	Medium
	Laag
	Vertraging
	Licht
	Aan/Uit



Zwart bedieningspaneel en display.

ROESTVRIJ/GLAS

Maak voor de bediening van de afzuigkap gebruik van het bedieningspaneel aan de voorkant van de kap. Plaats een vinger op de LED-indicator en het apparaat detecteert optisch de geselecteerde optie en activeert deze. LED-indicatoren voor geactiveerde controles gaan branden. Zie de afbeelding hieronder.

BEDIENINGSPANEEL	FUNCTIE
	Aan/Uit
	Hoog /Boost
	Medium
	Laag
	Vertraging
	Filter
	Licht: hoog
	Licht: laag



Roestvrij of glazen bedieningspaneel.

Bedieningspaneel

VENTILATOR

Om de ventilatorsnelheid aan te passen: tik op of op . Tik opnieuw om het apparaat uit te schakelen.

Voor boost: houd 3 seconden ingedrukt. Met boost wordt de luchtstroom met ongeveer 20% verhoogd, maar dit is beperkt tot 10 minuten. Na 10 minuten gaat de ventilator automatisch terug naar de vorige geselecteerde snelheid.

VERTRAGING

Met de vertragingfunctie worden de verlichting en de ventilator na 10 minuten werking automatisch uitgeschakeld.

FILTER

Na ongeveer 100 bedrijfsuren geeft de filterindicator aan dat de filters moeten worden schoongemaakt. Raadpleeg de onderhoudstips en aanwijzingen voor filterverwijderen op pagina 6-7.

Op zwarte kappen gaan 'FG' of 'FC' (hercirculatie toepassing) branden op het display van het bedieningspaneel. Om de filterindicator te resetten: houd 5 seconden ingedrukt tot 'FF' op het display verschijnt.

Op roestvrije of glazen kappen brandt de led op het bedieningspaneel. Om defilter indicator te resetten: houd 5 seconden ingedrukt.

LICHT

Op zwarte afzuigkappen: tik op voor hoog of houd 2 seconden ingedrukt voor laag. Tik opnieuw om verlichting uit te schakelen.

Voor roestvrije of glazen kappen, tik op of op . Tik opnieuw om verlichting uit te schakelen.

AAN /UIT

Tik op om de ventilator laag te zetten. Tik opnieuw om de ventilator uit te schakelen.

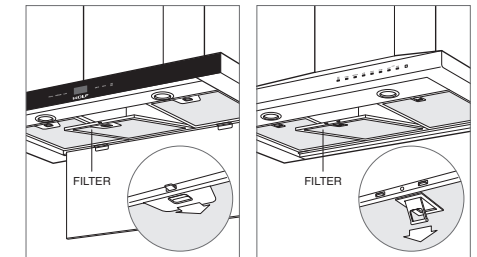
Filter verwijderen

De vetfilters moeten worden schoongemaakt als de filterindicator op het bedieningspaneel brandt, of na ongeveer 100 uur gebruik. De filters zijn vaatwasmachinebestendig. Raadpleeg de onderhoudstips.

Om bij zwarte afzuigkappen de filters te bereiken: laat de pal los en trek voorzichtig de voorste rand van het onderste paneel van de kap naar beneden en laat deze naar beneden draaien. Op roestvrije of glazen kappen is er geen onderste paneel.

Zie onderstaande illustraties om filters te verwijderen.

BELANGRIJK: Schakel de afzuigkap niet in zonder vetfilters.



Filter verwijderen: zwart.

Filter verwijderen: roestvrij/glas.

Aanbevelingen voor onderhoud

REINIGEN

Roestvrij staal Gebruik een niet-schurend roestvrijstalen reinigingsmiddel en breng dit aan met een zachte, pluisvrije doek. Om de natuurlijke glans tevoorschijn te brengen, wrijft u het oppervlak licht in met een vochtige microvezeldoek gevolgd door een droge zeemleren lap. Wrijf altijd mee in de richting van de korrel van het roestvrij staal.

Bedieningspaneel Sproei met ontvettingsmiddel om vingerafdrukken en voedselresten te verwijderen. Sproei op een doek voordat u het paneel reinigt. Sproei glasreiniger op een doek om zwart glas schoon te maken.

BELANGRIJK: Sproei reinigingsmiddelen niet rechtstreeks op het bedieningspaneel.

Filters Filters zijn vaatwasmachinebestendig en passen in de meeste vaatwassers. Veeg overtollige vet van filters voordat u deze in de vaatwasser plaatst.

Probleemoplossing

BEDIENING

Afzuigkap werkt niet.

- Controleer of de stroom is ingeschakeld.
- Controleer of de elektrische stroom naar de afzuigkap en de stroomonderbreker zijn ingeschakeld.

Ventilator werkt maar lampen niet.

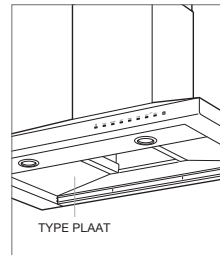
- Controleer of de lampen niet zijn doorgebrand.

Lamp is doorgebrand.

- Led-verlichting moet worden vervangen door een door Wolf-fabriek erkende service.

ONDERHOUD

- Handhaaf de kwaliteit die in uw product is ingebouwd door contact op te nemen met de erkende onderhoudsdienst van de Wolf-fabriek.
- Houd het model- en serienummer van uw product bij de hand bij het opnemen van contact. Beide nummers staan op het producttypeplaatje. Zie onderstaande illustratie voor locatie typeplaatje.
- Voor de garantie moet ook de installatiedatum en de naam van uw erkende Wolf-dealer bekend zijn. Deze informatie moet op bladzijde 2 van deze handleiding worden genoteerd.



Locatie typeplaat.

Beperkte internationale garantie op Wolf Appliance

VOOR HUISHOUDELIJK GEBRUIK

VOLLEDIGE GARANTIE VAN TWEE JAAR*

Gedurende twee jaar vanaf de datum van de oorspronkelijke installatie dekt deze productgarantie van Wolf Appliance alle onderdelen en arbeid die bij normaal huishoudelijk gebruik nodig zijn voor reparatie of vervanging van een deel van het product dat defect blijkt te zijn qua materiaal of vervaardiging. Alle onderhoud door Wolf Appliance onder de bovenstaande garantie moet door een door Wolf-fabriek erkende dienst worden uitgevoerd, tenzij anders aangegeven door Wolf Appliance, Inc. Het onderhoud wordt tijdens normale kantooruren uitgevoerd.

BEPERKTE GARANTIE VAN VIJF JAAR

Gedurende vijf jaar vanaf de datum van de oorspronkelijke installatie zal Wolf Appliance de volgende onderdelen repareren of vervangen die defect blijken te zijn qua materiaal of vervaardiging: gasbranders (behalve uiterlijk), elektrische verwarmingselementen, ventilatormotoren (ventilatiekappen), elektronische controleborden, magnetronbuizen en inductiegeneratoren. De onderdelen worden gratis gerepareerd of vervangen, waarbij de eigenaar betaalt voor alle andere kosten, inclusief arbeid. Alle onderhoud door Wolf Appliance onder de bovenstaande garantie moet door een door Wolf-fabriek erkende dienst worden uitgevoerd, tenzij anders aangegeven door Wolf Appliance, Inc. Het onderhoud wordt tijdens normale kantooruren uitgevoerd.

Voor meer informatie over de productgarantie van Wolf kunt u contact opnemen met uw dealer. Garanties moeten voldoen aan alle verordeningen op landelijk, provinciaal en gemeentelijk niveau.

*Roestvrij staal (deuren, panelen, handgrepen, productframes en inwendige oppervlakken) worden gedekt door een beperkte garantie voor cosmetische defecten op onderdelen en arbeid van 60 dagen.



目录

- 2 安全注意事项
- 5 通风罩特点
- 6 通风罩操作
- 6 保养建议
- 7 故障排除
- 7 Wolf质保

客户服务

型号和序列号列于产品铭牌上。铭牌位置参见第5页。出于质保目的,您还需要知悉安装日期和授权的Wolf经销商名称。记录以下信息,以供日后参考。

如果您的产品需要护理,请务必采用Wolf工厂认证的服务提供商的服务。

服务信息
型号
序列号
安装日期
经认证的服务部门名称
经认证的服务部门号码
授权经销商
经销商号码

重要提示

为确保尽可能安全高效地安装和操作本产品,请注意本指南中以下突出显示的信息类型:

重要提示突出显示尤为重要的信息。

注意表示如果不遵守说明,可能会导致轻微的人身伤害或产品损坏的情况。

警告表示如果不遵守注意事项,可能会导致严重伤害或死亡的危险。

重要说明

请阅读并保存此类指南

- 在使用新的通风罩之前,请仔细阅读本使用与保养指南,以降低火灾、触电或人身伤害的危险。
- 确保正确安装和维修。本产品必须由合格的技术人员正确安装和接地(接地线)。
- 必须由Wolf工厂认证的服务部门执行质保服务。
- 必须由专业人员根据所有适用的规范和标准完成安装工程和电气接线作业,包括建筑防火等级规范和标准。
- 除非已接受监督或指导,否则,儿童或身体、感觉或心理能力降低或缺乏经验和知识的人员不得使用本产品。

重要说明

⚠ 警告

为了减少火灾、触电或人身伤害的危险，请遵守以下原则：

- a) 仅应按照制造商规定的方式使用本单元。如果您有任何疑问，请与制造商联系。
- b) 在维修或清洁设备之前，请拔下设备插头或在维修面板上关闭电源，同时锁定服务断开装置，以防止意外接通电源。如果无法锁定维修断开装置，请将醒目的警告装置（如标志）牢固地固定在维修面板上。

⚠ 警告

如果已获得有关安全地使用本电器的监督或指导并了解相关危险，则本设备可供8岁及以上的儿童以及身体、感觉或心理能力降低或缺乏经验和知识的人员使用。儿童不得玩耍本电器。儿童不得在没有监督的情况下进行清洁和用户维护。

一般安全注意事项

- 当抽油烟机同时用于燃烧气体或其他燃料的设备时，房间内应充分通风。
- 请勿操作电源线或插头已损坏的任何风扇。丢弃风扇，或将其返回授权的维修机构进行检查和/或维修。
- 本产品必须接地（接地线）。

⚠ 注意

仅供一般通风使用。请勿用于排放危险或易爆物质和蒸气。

- 通道风扇应始终向室外排气。
- 为了降低发生火灾的危险，仅可使用不锈钢通风管道。
- 操作本设备时，请勿穿戴宽松的衣服或挂装。此类服装可能被燃烧器或灶具上的元件点燃。

重要说明

一般安全注意事项

- 请勿修理或更换本设备的任何部件，除非本指南特别推荐。应由专业技术人员执行所有其他服务。
- 为避免电机轴承损坏和噪音或叶轮失衡，干式墙面喷剂、施工扬尘等应远离动力装置。
- 当切割或钻入墙壁或天花板时，不要损坏电线或其他隐藏的实用设施。
- 如需获得更多信息和要求，请阅读通风罩上的规格标签。

⚠ 注意

为了降低发生火灾的危险并正常排气，一定要通过管道将废气排放到室外。切勿将废气排入墙壁或天花板内的空间，或排入阁楼、狭窄空间或车库中。

⚠ 注意

与烹饪器具一起使用时，易触及部件可能变热。

⚠ 警告

为降低灶台滑脂发生火灾的危险：

- a) 在高设置下，应有专人看管表面单元。沸溢会导致可能点燃的烟气和油脂沸液。在低或中等设置下慢慢加热油。
- b) 高温烹饪时，应始终打开通风罩。
- c) 应经常清洁通风扇。严禁油脂积聚在风扇或过滤器上。
- d) 使用合适大小的平底锅。始终使用适合表面装置大小的炊具。
- e) 切勿在抽油烟机下烹制食物。

重要说明

一般安全注意事项

⚠ 警告

为降低灶台顶部火焰对人员造成伤害的危险, 请遵守以下原则*:

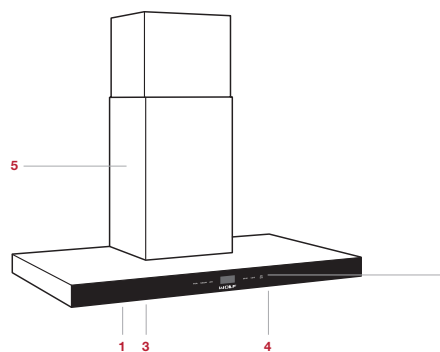
- a) 使用紧密贴合的盖子、烘烤板或金属托盘闷熄火焰, 然后关闭燃烧器。应注意防止烫伤。
如果火焰未立即熄灭, 应撤离并呼叫消防部门。
- b) 切勿端起冒火的锅 - 您可能被烧伤。
- c) 切勿使用水 (包括湿的抹布或毛巾) 灭火 - 将导致剧烈的蒸汽爆炸。
- d) 仅可在以下情况下使用灭火器:
 - 1) 您知道您有ABC类灭火器, 并且了解如何操作。
 - 2) 火势很小并局限于最初起火的区域。
 - 3) 正在呼叫消防部门。
 - 4) 您可以背对出口灭火。

*基于NFPA发布的“厨房火灾安全提示”。

通风罩特点

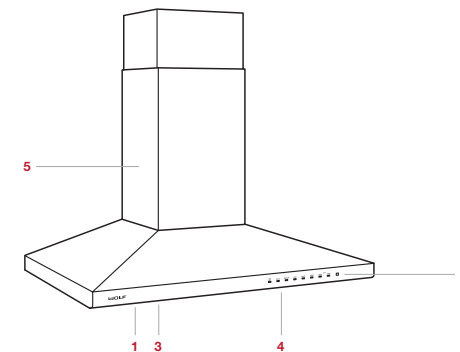
特点	
1	产品铭牌 (过滤器上方)
2	控制面板
3	过滤器
4	LED照明
5	伸缩式烟道

黑色



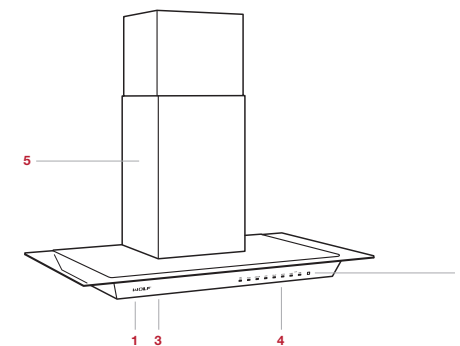
以914 mm罩为例。

不锈钢



以914 mm罩为例。

玻璃



以914 mm罩为例。

控制面板

黑色

要操作通风罩，请使用该罩前部的触摸控制面板。指示灯将在控制面板显示屏上显示。请参见以下图示和图表。

指示灯	功能
1	低鼓风机转速。
2	中鼓风机转速。
3	高鼓风机转速。
HI	升压已激活。
FC	更换炭过滤器。 (仅限再循环应用)。
FG	清洁油脂过滤器。
FF	过滤器指示灯已复位。
IR	远程控制已启用/禁用。

控制面板	功能
	高/升压
	中
	低
	延迟
	照明
	开/关



黑色控制面板和显示屏。

不锈钢/玻璃

要操作通风罩，请使用该罩前部的控制面板。将手指放在LED指示灯上，本单元将光学检测并激活所选的选项。激活控制的LED指示灯将亮起。请参见下图。

控制面板	功能
	开/关
	高/升压
	中
	低
	延迟
	过滤器
	照明 - 高
	照明 - 低

不锈钢/玻璃控制面板。

控制面板

鼓风机

要调节鼓风机速度，请触摸、或。再次触摸以关闭鼓风机。

要启动升压模式，请触摸并按住3秒钟。升压使气流增加约20%，但限制为10分钟。10分钟后，鼓风机将自动转换到上一选定的速度。

延迟

延迟功能在运行10分钟后自动关闭灯和鼓风机。

过滤器

运行约100小时后，过滤器指示灯将发出指示需清洁过滤器的信号。请参阅第6-7页中的过滤器拆卸和保养建议。

对于黑色罩，“FG”或“FC”（再循环应用）将在控制面板显示屏上亮起。要重置过滤器指示灯，请触摸并按住5秒钟，直至显示屏上出现“FF”。

对于不锈钢/玻璃罩，LED将在控制面板上亮起。要重置过滤器指示灯，请触摸5秒钟。

照明

对于黑色罩，请触摸-设为高，或触摸并按住2秒钟设为低。再次触摸关灯。

对于不锈钢/玻璃罩，请触摸-或-。再次触摸关灯。

开/关

触摸，将鼓风机开为低。再次触摸以关闭鼓风机。

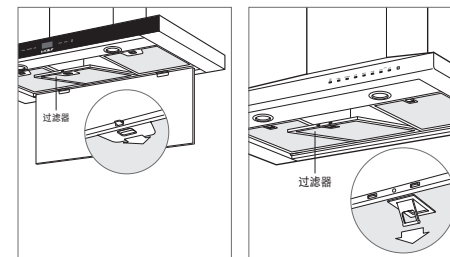
过滤器拆卸

当过滤器指示灯在控制面板上亮起时，或运行约100小时后，应清洁油脂过滤器。过滤器可放入洗碗机清洗。请参见保养建议。

对于黑色罩，要接近过滤器，请松开卡扣，轻轻向下拉动罩底部面板的前缘并允许其向下旋转。对于不锈钢/玻璃罩，则无底部面板。

要拆下过滤器，请参见下图。

重要提示：切勿在未安装油脂过滤器的情况下操作通风罩。



过滤器拆卸—黑色。

过滤器拆卸—不锈钢/玻璃。

保养建议

清洁

不锈钢 使用非磨蚀性的不锈钢清洁剂和无绒软布清洁。为了产生自然光泽，先用蘸水的超细纤维布轻轻擦拭煎盘，然后用打光鹿皮擦干。始终沿着不锈钢的纹理方向擦拭。

控制面板 使用喷雾脱脂剂清除指纹和食物污垢。在擦拭面板之前喷洒在抹布上。在抹布上喷洒玻璃清洁剂以清洁黑色玻璃。

重要提示：切勿将清洁剂直接喷洒在控制面板上。

过滤器 过滤器可放入洗碗机清洗，其设计适合大多数洗碗机。擦拭过滤器，以便在放入洗碗机之前清除多余的油脂。

故障排除

操作

通风罩不工作。

- 确认电源已打开。
- 确认通风罩和家中断路器的电源已打开。

鼓风机运行，但灯不工作。

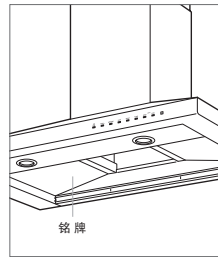
- 确认灯泡未烧坏。

灯泡已烧坏。

- 必须由Wolf工厂认证的服务部门更换LED照明灯具。

服务

- 与Wolf工厂认证的服务部门联系，以保证产品的内在质量。
- 在联系服务部门时，您需要提供产品的型号和序列号。这两个编号都列在产品铭牌上。有关铭牌位置，请参见下图。
- 出于质保目的，您还需提供安装日期和经授权的Wolf经销商名称。此信息应记录在本指南的第2页中。



铭牌位置。

Wolf Appliance国际有限质保

供住宅使用

两年质保*

自最初安装之日起两年，在正常住宅使用的情况下，证明在材料或工艺方面存在缺陷的产品的任何部分的维修或更换的所有零部件和人工均包含在Wolf Appliance产品质保范围内。除非Wolf Appliance, Inc.另有规定，Wolf Appliance根据上述质保条款提供的所有服务必须由Wolf工厂认证的服务部门执行，我们将在正常营业时间内提供服务。

五年有限质保

从最初安装之日起五年内，Wolf Appliance将维修或更换以下在材料或工艺方面存在缺陷的部件：不锈钢压块托盘、气阀、集油盘、电子控制板和电加热元件。如果物主使用Wolf工厂认证的服务，该服务提供者将修理或更换这些部件，但物主需支付包括人工费在内的所有其他费用。如果物主使用非认证服务，则物主必须联络Wolf Appliance, Inc.（使用以下信息），以获得修理或更换用部件。Wolf Appliance不报销物主从非认证服务机构或其他来源购买的部件所产生的费用。

有关Wolf产品质保的更多信息，请与授权的Wolf经销商联系。质保必须遵守所有国家、州、城市、地方法规和/或法令。

*有限的60天零件和人工质保涵盖不锈钢（门、面板、把手、产品框架和内表面）的外观缺陷。





WOLF APPLIANCE, INC. P.O. BOX 44848 MADISON, WI 53744 WOLFAPPLIANCE.COM 800.222.7820

9012969 REV-A

3/2017

