

Nikon



TACTICAL

300 BLK Rifle scope

2-7×32

Instruction manual/Mode d'emploi

En

Fr

Congratulations on your choice of a Nikon riflescope. Your new scope is the finest example of Nikon's rugged and durable construction and precision bright optics; important qualities for a serious shooter's riflescope. Whether you use your scope for target shooting or for hunting, the procedure for mounting is identical. A set of high-quality steel mounting rings which have a standard diameter of 1 in. (25.4 mm) are required to mount the scope. Follow the ring manufacturer's instructions for mounting procedures. After mounting the scope on your rifle, follow the procedures for reticle alignment.

WARNING:

IMPROPER MOUNTING OF YOUR NIKON SCOPE CAN CAUSE SERIOUS INJURY.

THUS IT IS IMPORTANT THAT YOUR NIKON SCOPE IS MOUNTED PROPERLY BEFORE USING. TO ENSURE PROPER MOUNTING OF YOUR NIKON SCOPE, PLEASE HAVE IT MOUNTED AND/OR CHECKED BY AN EXPERIENCED GUNSMITH BEFORE USING.

THE USER ASSUMES ALL RESPONSIBILITY AND LIABILITY FOR HAVING THE SCOPE PROPERLY MOUNTED TO A FIREARM AND FOR USING THE SCOPE PROPERLY.

ALWAYS CHECK THE CONDITION OF YOUR SCOPE AND YOUR MOUNTING SYSTEM BEFORE USING YOUR FIREARM.

SUPPLIED ITEM(S)

Body 1 piece

Eyepiece cap..... 1 pair*

Objective cap.....

*Rubber band linked (This type connects the objective and eyepiece caps using a rubber band.)

Caution

- (1) Do NOT look at the sun through the riflescope. It will permanently damage your eye. This precaution applies to all optical devices, such as cameras and binoculars.
- (2) The riflescope is effectively sealed against moisture and dust. You may use your scope safely either in the rain or in dusty climates. To preserve the appearance of the scope, we recommend that it be dried and cleaned prior to storage. Use a soft cloth for cleaning metal surfaces and use photographic lens tissue to clean the scope's lenses.

Notice for customers in the State of California

WARNING: This product contains chemicals including Lead which is known to the State of California to cause cancer and birth defects or other reproductive harm. For more information go to www.P65Warnings.ca.gov.



When setting the reticle for shooting or hunting, you should determine your standard range and then adjust the reticle based upon that target distance. For targets which vary from that standard distance, according to personal preference, you may simply adjust the position of the reticle in relation to your target, or you may wish to use the procedure for trajectory compensation.

We hope that you will enjoy your new Nikon Riflescope for many years to come. Enjoy using it, and above all, always follow safe shooting procedures.

N.B. Export of the products* in this manual may be controlled under the laws and relatives of the exporting country. Appropriate export procedure, such as obtaining of export license, shall be required in case of export.

*Products: Hardware and its technical information (including software)

1. Nomenclature

En

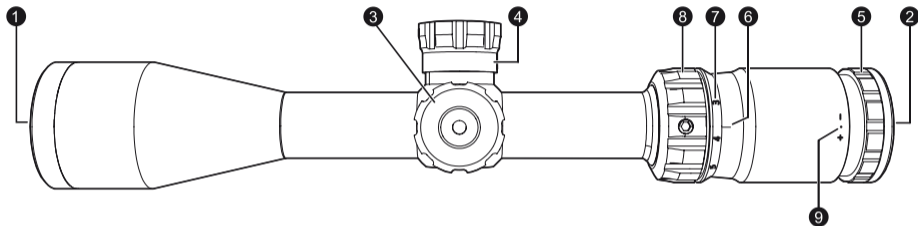


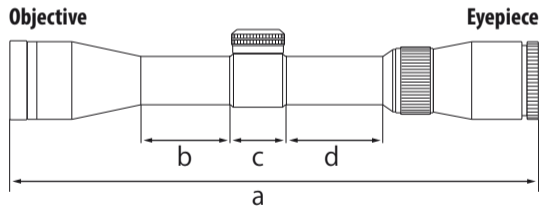
Fig. 1

- ① *Objective lens*
- ② *Eyepiece lens*
- ③ *Elevation adjustment turret*
- ④ *Windage adjustment turret*
- ⑤ *Eyepiece adjustment*
- ⑥ *Power index*
- ⑦ *Power scale*
- ⑧ *Power selector ring*
- ⑨ *Diopter index dot*

2. Specifications

| Model | 2-7×32 | |
|--|--|---|
| Actual magnification | (×) | 2-7 |
| Effective objective diameter | (mm) | 32 |
| Exit pupil ^{*1} | (mm) | 16.0-4.6 |
| Eye relief ^{*1} | (in.)/(mm) | 3.8-3.8/96.5-96.5 |
| Tube diameter | (in.)/(mm) | 1/25.4 |
| Objective outside diameter | (in.)/(mm) | 1.6/40.8 |
| Eyepiece outside diameter | (in.)/(mm) | 1.7/44 |
| Adjustment graduation | | 1 click: 1/4 MOA ^{**2} 1 revolution: 20 MOA ^{**2} 1 revolution: 80 clicks |
| Max. internal adjustment | (MOA) ^{**2} | 90 |
| Parallax setting | (yd.)/(m) | 100/91.4 |
| Field of view at 100 yd. ^{*1} | (ft) | 44.6-12.6 |
| Field of view at 100 m ^{*1} | (m) | 14.9-4.2 |
| Length (a) | (in.)/(mm) | 11.5/292 |
| Mount length (b) | (in.)/(mm) | 2.0/50.2 |
| Mount length (c) | (in.)/(mm) | 1.3/33.0 |
| Mount length (d) | (in.)/(mm) | 2.1/53.0 |
| Weight | (oz)/(g) | 16.2/460 |
| Structure | Waterproof (up to 3 ft 3 in. (1 m) for 10 minutes) and nitrogen gas purged | |

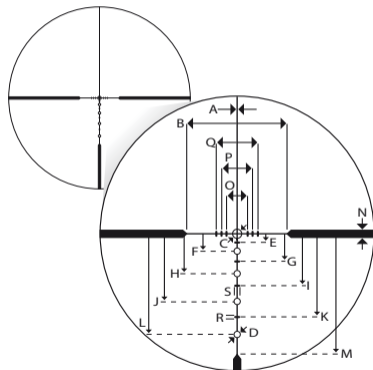
^{*1} (at minimum magnification)-(at maximum magnification) ^{**2} MOA = Minute of Angle



Letters a to d in the diagram above refer to lengths (a) to (d) shown in the Specifications table.

Reticle subtension chart

BDC SuperSub reticle



Letters A to S in the diagram above refer to the reticle subtensions of units A to S shown on the table to the right.

| Model | | 2-7×32 | | | |
|--|-------|--------------|--------|-------|-------|
| Reticle | | BDC SuperSub | | | |
| Magnification (×) | | 2 | | 7 | |
| Reticle subtensions (cm at 100 metres/inches at 100 yards) | Unit | (in.) | (cm) | (in.) | (cm) |
| | A | 1.75 | 4.87 | 0.5 | 1.39 |
| | B | 105.00 | 291.90 | 30.0 | 83.40 |
| | C | 10.50 | 29.19 | 3.0 | 8.34 |
| | D | 7.00 | 19.46 | 2.0 | 5.56 |
| | E | 8.75 | 24.33 | 2.5 | 6.95 |
| | F | 17.50 | 48.65 | 5.0 | 13.90 |
| | G | 28.00 | 77.84 | 8.0 | 22.24 |
| | H | 40.25 | 111.90 | 11.5 | 31.97 |
| | I | 52.50 | 145.95 | 15.0 | 41.70 |
| | J | 68.25 | 189.74 | 19.5 | 54.21 |
| | K | 84.00 | 233.52 | 24.0 | 66.72 |
| | L | 101.50 | 282.17 | 29.0 | 80.62 |
| | M | 122.50 | 340.55 | 35.0 | 97.30 |
| | N | 7.00 | 19.46 | 2.0 | 5.56 |
| O | 21.00 | 58.38 | 6.0 | 16.68 | |
| P | 31.50 | 87.57 | 9.0 | 25.02 | |
| Q | 42.00 | 116.76 | 12.0 | 33.36 | |
| R | 1.75 | 4.87 | 0.5 | 1.39 | |
| S | 5.25 | 14.60 | 1.5 | 4.17 | |

3. Instructions

(1) Focusing

- 1 Look through the eyepiece with your eye positioned about 4 in. (10 cm) away from the eyepiece to see the BDC SuperSub reticle (Fig. 3).
Be sure your eye is positioned with proper alignment and with proper eye relief, otherwise the view will “black out.”
- 2 Point the objective end of the scope at the sky (do NOT point it at the sun) or at a plain unpatterned wall.
- 3 Turn the eyepiece adjustment counter-clockwise and then turn it clockwise until the reticle appears sharp.

Notice: Reticle images shown in this manual are representation only. Actual images may vary.

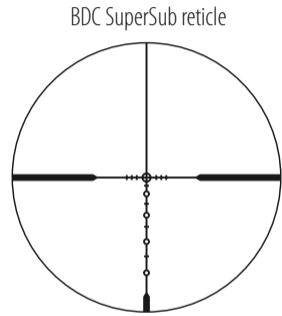


Fig. 3

(2) Magnification

- Nikon riflescopes have variable magnification. For details, see “2. Specifications”.
To change powers, rotate the power selector ring until the desired magnification appears adjacent to the power index.

(3) Adjustment of the riflescope

Sighting through the riflescope, align the rifle with your aiming point on the target and shoot a trial round. If the bullet does not hit the aiming point, adjust the elevation and windage adjustment turrets as follows:

- If the bullet hits under the aiming point, turn the elevation adjustment turret (counter-clockwise) in the direction of the arrow marked “U” for up. If the bullet hits high, turn the elevation adjustment turret (clockwise) in the direction of the arrow marked “D” for down.
- If the bullet hits to the right of the aiming point, turn the windage adjustment turret (clockwise) in the direction of the arrow marked “L” for left. If the bullet hits to the left of the aiming point, turn the windage adjustment turret (counter-clockwise) in the direction of the arrow marked “R” for right.

Note:

- The windage and elevation scales of P-TACTICAL 300BLK riflescopes are calibrated in divisions of 1/4 minute of angle (MOA) with a click at intervals of 1/4 minute of angle.
- When adjusting the reticle to the point of aim, remember that 1 minute of angle equals approximately 1 in. (2.54 cm) at 100 yd. (91.44 m).
Therefore, if the impact point is 2 in. (5.08 cm) low and 1 in. (2.54 cm) right at 100 yd. (91.44 m) parallax setting, you should adjust 2 minutes of angle up and 1 minute of angle left.
In the case of 50 yd. (45.72 m) parallax setting, the adjusting value is 2×. In the case of 75 yd. (68.58 m) parallax setting, the adjusting value is 1.5×.

(4) Zero resetting of adjustment turret

The elevation adjustment and windage adjustment turrets have a retracting system. After the reticle has been adjusted to match the point of impact, pull up the elevation adjustment or windage adjustment turret to disengage. The turret can now be turned freely. Align the zero number to the index line to set the zero setting, and then release the turret. The turret automatically retracts to the original position.

Utilizing the BDC reticle

Thank you for choosing the Nikon BDC reticle riflescope. The BDC reticle is designed to compensate for the trajectory of your firearm. Regardless of the particular style of BDC reticle you have, the position of the circles are based upon an average trajectory for some of the more popular projectiles and cartridges on the market based upon the intended use of the scope itself.

Please note that the reticle is based upon ballistic information and may or may not meet the same results for you as there are many variables that come into play such as:

- Actual Velocity (Ammunition manufactures' information in regards to muzzle velocity may or may not match the velocity your firearm produces. The best way to determine the actual muzzle velocity for your firearm is to use a chronograph).
- Temperature
- Humidity
- Altitude
- Barometric Pressure
- Condition and inherent accuracy of the firearm
- The mounting system and how true it positions the scope to the centerline of the bore

BDC SuperSub reticle

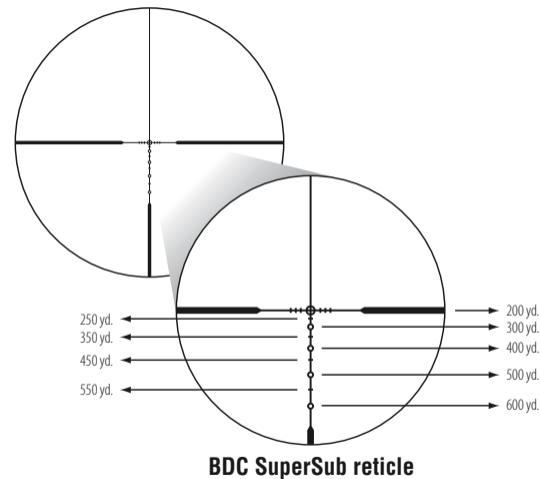
The BDC SuperSub reticle was designed to match the trajectory of the highly popular 300 AAC BLACKOUT cartridge using a 115 grain FMJ bullet at a muzzle velocity of approximately 2280 fps.

The SuperSub reticle was designed for a 200 yard zero with circles representing 200, 300, 400, 500 and 600 yards, with hash marks between each circle representing hold points for 250, 350, 450 and 550 yards when the riflescope is set on the highest magnification.

The center crosshair is encompassed by a circle (3-inch outer diameter at 100 yards on the highest magnification) that allows for fast target acquisition, especially helpful with moving targets.

Please note that your firearm may or may not match the information listed for bullet drop based upon the variables listed in this section.

What if you choose various other 300 AAC Blackout ammunition (or virtually any round of ammunition) including Subsonic and Supersonic ammunition? NO PROBLEM, just go to the Nikon Spot On website (nikonportoptics.com/Spoton) and you can match your exact cartridge to the reticle. In fact, we highly recommend that you check out the Spot On website as it will provide exact yardages that each circle represents, providing unparalleled ballistic data for long range shooting.





nikonsportoptics.com/Spoton

The Spot On website has been designed to provide accurate information that matches the ballistics of whatever projectile you are shooting directly to the reticle.

Please note that you should verify that your set up matches the information provided in this manual or the Spot On program before venturing into the field. The only way to truly verify the information is by actual shooting. Again, the variables listed above may or may not affect the results.

Note: It is imperative that the reticle be level in relation to the firearm. If the reticle is canted, even just a few degrees, it can cause the shot to drift off the centerline of the point of aim. There are many commercial leveling devices on the market, but the one that we find to be the most accurate in leveling the reticle is a plum bob. Use a bubble level to make sure the firearm is level, then look through scope at an appropriately placed plumb bob and align the reticle accordingly.

Please also note that all Nikon BDC reticles were originally designed to be used on the **highest magnification**. Since changing the magnification changes the position of the circles in relation to the target, the distances listed along with each of the illustrations are at the highest magnification. The center crosshair does not change with magnification as it is placed in the optical center of the scope.

The benefit of the Spot On program is that it calculates the distance that each circle represents at every magnification.

If you have further questions regarding the Spot On Technology please visit the website: <http://spoton.nikonsportoptics.com/spoton/questions.html>

Note:

Spot On is available only in the US and Canada.

Maintenance

(1) Lens cleaning

To remove dirt or fingerprints, soak gauze or lens cleaning paper (silicone-free paper sold at camera retailers) with a small quantity of absolute alcohol (available from drugstores) and lightly wipe off the affected areas. Wiping with a handkerchief or leather may damage the lens surface and is not recommended.

Dust may scratch the lens surface or corrode the lens.

Brush dust off using a soft oil-free brush.

(2) Scope exterior

Use a soft dry cloth to wipe off any dirt or fingerprints that might accumulate.

It is not necessary to oil the scope's surface.

(3) Windage/elevation adjustment turrets

These adjustment turrets are permanently lubricated. Do not attempt to lubricate them.

(4) Eyepiece adjustment

This adjustment is permanently lubricated. Do not attempt to lubricate it.

(5) Power selector ring

No lubrication is required for the power selector ring.

Waterproof models:

The riflescope is waterproof, and will suffer no damage to the optical system if submerged or dropped in water to a maximum depth of 3 ft 3 in. (1 m) for up to 10 minutes.

The riflescope offers the following advantages:

- Can be used in conditions of high humidity, dust and rain without risk of damage.
- Nitrogen-filled design makes it resistant to condensation and mold.

Observe the following precautions when using the riflescope:

- The riflescope should not be operated nor held in running water.
- Any moisture should be wiped off before adjusting movable parts (adjustment turret, eyepiece, etc.) of the riflescope to prevent damage and for safety reasons.

To keep your riflescope in optimal condition, Nikon Vision recommends regular servicing by an authorized dealer.

Specifications and equipment are subject to change without any notice or obligation on the part of the manufacturer.

Bravo pour votre choix : votre nouvelle lunette de visée Nikon est un parfait exemple de la robustesse, de la longévité et de la précision des instruments d'optique Nikon – des qualités importantes pour tout tireur sérieux. Que vous utilisiez votre lunette pour le tir à la cible ou pour la chasse, la procédure de montage est la même. Un jeu de bagues de montage en acier de haute qualité d'un diamètre standard de 1 pouce (25,4 mm) est nécessaire au montage de la lunette. Pour le montage, suivez les instructions du fabricant des bagues. Après avoir monté la lunette de visée sur votre fusil, réglez l'alignement du réticule (croisée de fils) comme suit.

AVERTISSEMENT :

UN MONTAGE INCORRECT DE VOTRE LUNETTE DE VISÉE NIKON PEUT CAUSER DE GRAVES BLESSURES.

IL EST DONC IMPORTANT DE LA MONTER CORRECTEMENT AVANT L'UTILISATION. POUR VOUS ASSURER DU BON MONTAGE DE VOTRE LUNETTE DE VISÉE NIKON, VEUILLEZ LE FAIRE RÉALISER ET/OU VÉRIFIER PAR UN ARMURIER EXPÉRIMENTÉ AVANT L'UTILISATION.

L'UTILISATEUR ACCEPTE TOUTE RESPONSABILITÉ CONCERNANT LE MONTAGE DE LA LUNETTE DE VISÉE SUR UNE ARME À FEU ET LA BONNE UTILISATION DE CETTE LUNETTE.

VÉRIFIEZ TOUJOURS L'ÉTAT DE VOTRE LUNETTE DE VISÉE ET DE VOTRE SYSTÈME DE MONTAGE AVANT D'UTILISER VOTRE ARME.

ÉLÉMENTS FOURNIS

| | |
|----------------------------|----------|
| Boîtier..... | 1 |
| Protecteur d'oculaire..... | 1 paire* |
| Capuchon d'objectif..... | |

* Reliés par une bande de caoutchouc (sur le modèle, le protecteur d'oculaire et le capuchon d'objectif sont reliés entre eux par une bande de caoutchouc.)

Précautions

- (1) Ne regardez PAS le soleil par la lunette de visée. Vous vous abîmeriez la vue de façon irrémédiable. Cette précaution s'applique à tous les instruments d'optique, comme les appareils photo et les jumelles.
- (2) La lunette de visée est étanche à l'humidité et la poussière. Vous pouvez l'utiliser en toute sécurité sous la pluie et dans les environnements poussiéreux. Pour conserver l'extérieur de la lunette en bon état, nous vous recommandons de sécher et de nettoyer la lunette avant de la ranger. Utilisez un chiffon doux pour nettoyer les parties métalliques et utilisez des papiers pour objectif photo pour nettoyer les objectifs de la lunette.

Pour régler le réticule pour le tir à la cible ou la chasse, vous devrez tout d'abord déterminer la portée standard ; réglez ensuite le réticule sur la base de cette distance de cible. Pour des cibles qui débordent de cette distance standard, selon vos préférences, vous pouvez régler simplement la position du réticule par rapport à la cible, ou bien effectuer une correction de trajectoire.

Nous espérons que votre nouvelle lunette de visée Nikon vous procurera de longues années de satisfaction. Profitez-en, mais avant tout, respectez toujours les consignes de sécurité en matière de tir.

N.B. : l'exportation des produits* objets de ce manuel risque d'être sujette aux lois en vigueur dans le pays exportateur. La mise en œuvre d'un processus d'exportation adapté, comme l'obtention d'une licence d'exportation, peut s'avérer nécessaire.

*Produits : matériel et informations techniques connexes (y compris le logiciel)



CONSIGNE POUVANT VARIER LOCALEMENT > WWW.CONSIGNESDETRI.FR

1. Nomenclature

Fr

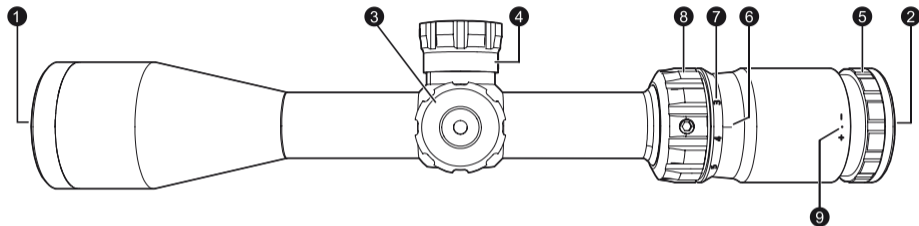


Fig. 1

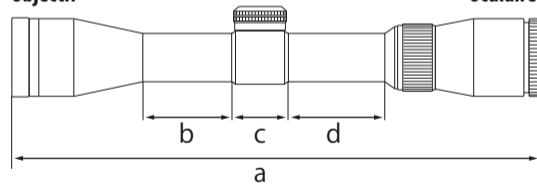
- ① *Objectif*
- ② *Oculaire*
- ③ *Tourelle de réglage de hausse*
- ④ *Tourelle de réglage de dérive*
- ⑤ *Réglage de l'oculaire*
- ⑥ *Index de puissance*
- ⑦ *Échelle de puissance*
- ⑧ *Bague de sélection de puissance*
- ⑨ *Point d'index de dioptrie*

2. Caractéristiques

| Modèle | | 2-7×32 |
|---|--------------------|---|
| Grossissement réel | (×) | 2-7 |
| Diamètre effectif de l'objectif | (mm) | 32 |
| Pupille de sortie ¹ | (mm) | 16,0-4,6 |
| Dégagement oculaire ¹ | (pouces)/(mm) | 3,8-3,8/96,5-96,5 |
| Diamètre de tube | (pouces)/(mm) | 1/25,4 |
| Diamètre de tube d'objectif | (pouces)/(mm) | 1,6/40,8 |
| Diamètre extérieur de l'oculaire | (pouces)/(mm) | 1,7/44 |
| Réglage interne maximal | | 1 clic: 1/4 MOA ² 1 révolution: 20 MOA ² 1 révolution: 80 clics |
| Réglage de parallaxe | (MOA) ² | 90 |
| Réglage de parallaxe | (yards)/(m) | 100/91,4 |
| Champ linéaire perçu à 100 yards ¹ | (pieds) | 44,6-12,6 |
| Champ linéaire perçu à 100 m ¹ | (m) | 14,9-4,2 |
| Longueur (a) | (pouces)/(mm) | 11,5/292 |
| Longueur de la monture (b) | (pouces)/(mm) | 2,0/50,2 |
| Longueur de la monture (c) | (pouces)/(mm) | 1,3/33,0 |
| Longueur de la monture (d) | (pouces)/(mm) | 2,1/53,0 |
| Poids | (oz)/(g) | 16,2/460 |
| Structure | | Étanche (jusqu'à 3 pieds 3 pouces (1 m) et 10 minutes maximum) et purgée à l'azote |

¹ (au grossissement minimum)-(au grossissement maximum) ² MOA = minute d'angle

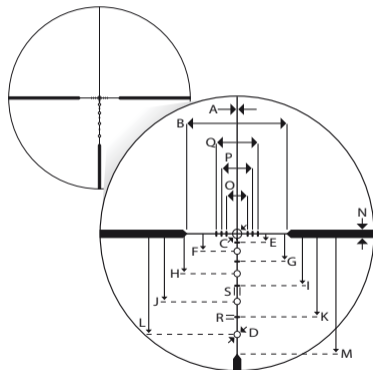
Objectif



Les lettres a à d du schéma ci-dessus désignent les longueurs (a) à (d) indiquées dans le tableau des caractéristiques.

Diagramme de sous-tension du réticule

Réticule BDC SuperSub



Les lettres A à S du diagramme ci-dessus désignent les différentes sous-tensions A à S du réticule indiquées dans le tableau de droite.

| Modèle | | 2-7×32 | | | |
|--|-------|--------------|--------|----------|-------|
| Réticule | | BDC SuperSub | | | |
| Grossissement (×) | | 2 | | 7 | |
| Sous-tensions du réticule (cm à 100 mètres/pouces à 100 yards) | Unité | (pouces) | (cm) | (pouces) | (cm) |
| | A | 1,75 | 4,87 | 0,5 | 1,39 |
| | B | 105,00 | 291,90 | 30,0 | 83,40 |
| | C | 10,50 | 29,19 | 3,0 | 8,34 |
| | D | 7,00 | 19,46 | 2,0 | 5,56 |
| | E | 8,75 | 24,33 | 2,5 | 6,95 |
| | F | 17,50 | 48,65 | 5,0 | 13,90 |
| | G | 28,00 | 77,84 | 8,0 | 22,24 |
| | H | 40,25 | 111,90 | 11,5 | 31,97 |
| | I | 52,50 | 145,95 | 15,0 | 41,70 |
| | J | 68,25 | 189,74 | 19,5 | 54,21 |
| | K | 84,00 | 233,52 | 24,0 | 66,72 |
| | L | 101,50 | 282,17 | 29,0 | 80,62 |
| | M | 122,50 | 340,55 | 35,0 | 97,30 |
| | N | 7,00 | 19,46 | 2,0 | 5,56 |
| O | 21,00 | 58,38 | 6,0 | 16,68 | |
| P | 31,50 | 87,57 | 9,0 | 25,02 | |
| Q | 42,00 | 116,76 | 12,0 | 33,36 | |
| R | 1,75 | 4,87 | 0,5 | 1,39 | |
| S | 5,25 | 14,60 | 1,5 | 4,17 | |

3. Utilisation

(1) Mise au point

- 1 Regardez dans l'oculaire, l'œil placé à environ 4 pouces (10 cm) de l'oculaire, pour voir le réticule BDC SuperSub (Fig. 3). Assurez-vous que votre œil est correctement aligné et positionné à la bonne distance, afin d'éviter que votre vue ne soit « bouchée ».
- 2 Pointez l'objectif de la lunette vers le ciel (mais PAS en direction du soleil) ou vers un mur de couleur unie.
- 3 Tournez la molette de réglage de l'oculaire dans le sens inverse des aiguilles d'une montre, puis dans le sens des aiguilles d'une montre, jusqu'à ce que le réticule apparaisse nettement.

Avis : Les images de réticules utilisées dans ce manuel n'en sont qu'une représentation. Les images réelles peuvent être différentes.

Réticule BDC SuperSub

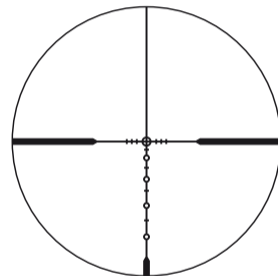


Fig. 3

(2) Grossissement

- Les lunettes de visée Nikon possèdent un grossissement variable. Pour plus de détails, reportez-vous à la section « 2. Caractéristiques ».
Pour changer la puissance, tournez la bague de sélection de puissance jusqu'à ce que le rapport de grossissement voulu arrive à côté de l'index de puissance.

(3) Réglage de la lunette de visée

Regardez dans la lunette de visée, alignez l'arme avec le point visé sur la cible et tirez un coup d'essai. Si la balle ne touche pas le point de visée, ajustez les tourelles de réglage de hausse et de dérive de la manière suivante :

- Si la balle touche en-dessous du point visé, tournez la tourelle de réglage de hausse (dans le sens inverse des aiguilles d'une montre) en suivant le sens de la flèche marquée « U »(pour Up ou Haut). Si la balle est trop haute, tournez la tourelle de réglage de hausse (dans le sens des aiguilles d'une montre) en suivant le sens de la flèche marquée « D »(Pour Down ou Bas).
- Si la balle touche à droite du point visé, tournez la tourelle de réglage de dérive (dans le sens des aiguilles d'une montre) en suivant le sens de la flèche marquée « L »(pour Left ou Gauche). Si la balle est à gauche, tournez la tourelle de réglage de dérive (dans le sens inverse des aiguilles d'une montre) en suivant le sens de la flèche marquée « R »(pour Right ou Droite).

Remarque :

- Les échelles de dérive et de hausse des lunettes de visée P-TACTICAL 300BLK sont graduées en quarts de minute d'angle (MOA) et marquent un cran au passage de chaque quart de minute d'angle.
- Lorsque vous réglez le réticule sur le point de visée, n'oubliez pas qu'une minute d'angle équivaut à peu près à 1 pouce (2,54 cm) à 100 yards (91,44 m).
En conséquence, si le point d'impact se trouve 2 pouces (5,08 cm) trop bas et 1 pouce (2,54 cm) trop à droite, pour une parallaxe réglée à 100 yards (91,44 m), vous devrez corriger les réglages de deux minutes d'angle vers le haut et d'une minute d'angle vers la gauche.
Dans le cas d'un réglage de parallaxe de 50 yards (45,72 m), il faudra doubler ces valeurs de correction. Avec un réglage de parallaxe de 75 yards (68,58 m), il faudra les multiplier par 1,5.

(4) Réglage du zéro d'une tourelle

Les tourelles de réglage de hausse et de dérive sont équipées d'un système rétractable. Une fois que le réticule a été réglé sur le point d'impact, tirez la tourelle vers le haut pour la débloquent. Elle tourne maintenant librement. Alignez le chiffre zéro sur le trait de repère, puis relâchez la tourelle. Elle revient automatiquement à sa position initiale.

Utilisation du réticule BDC

Vous venez d'acheter une lunette de visée à réticule BDC Nikon pour fusil et nous vous en remercions. Les réticules BDC sont conçus pour compenser la trajectoire de votre arme à feu. Quel que soit le type particulier de réticule BDC que vous utilisez, la position des cercles est basée sur la trajectoire moyenne de certains des projectiles et des cartouches disponibles sur le marché les plus couramment utilisés et compte tenu de l'usage prévu pour la lunette elle-même.

Veillez noter que le réticule est basé sur des informations balistiques et que les résultats obtenus risquent de varier en raison des nombreuses variables mises en œuvre, comme :

- La vitesse réelle (les informations fournies par le fabricant des munitions concernant la vitesse initiale risquent de ne pas correspondre à la vitesse produite par votre arme à feu. La meilleure façon de déterminer la vitesse initiale réelle de votre arme à feu est d'utiliser un chronomètre).
- Température
- Humidité
- Altitude
- Pression barométrique
- État et précision inhérente de l'arme à feu
- Système de montage et exactitude du positionnement de la lunette par rapport à l'axe central du canon de l'arme

Réticule BDC SuperSub

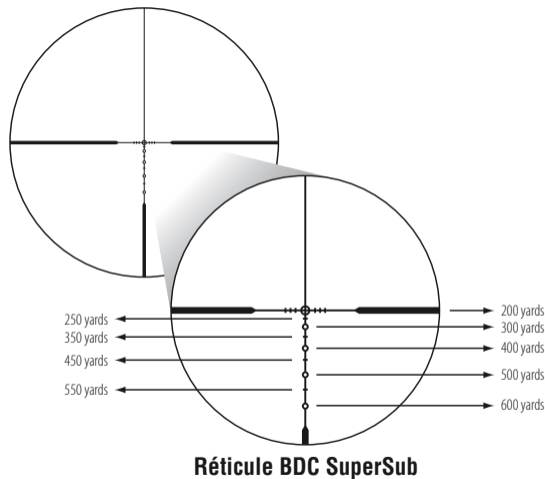
Le réticule BDC SuperSub a été conçu en fonction de la trajectoire de la très célèbre cartouche 300 AAC BLACKOUT utilisant des balles FMJ de 115 grains à une vitesse initiale d'environ 2280 pieds par seconde.

Le réticule SuperSub a été conçu pour un zéro à 200 yards, avec des cercles qui représentent 200, 300, 400, 500 et 600 yards, avec des marques de graduation entre chaque cercle pour symboliser des points d'arrêt à 250, 350, 450 et 550 yards lorsque la lunette de visée est réglée sur l'agrandissement maximum.

Le réticule central est entouré par un cercle (3 pouces de diamètre extérieur à 100 yards pour l'agrandissement maximum) qui permet l'acquisition rapide de l'objectif, ce qui est particulièrement utile avec les cibles mobiles.

Veuillez noter que l'arme à feu que vous possédez peut ne pas correspondre aux informations données pour la balistique, compte tenu des variables indiquées dans cette section.

Si vous préférez d'autres munitions 300 AAC Blackout (ou toute autre munition), dont les munitions Subsonic et Supersonic. . . Pas de problème, une visite sur le site Web Nikon Spot On (nikonsportoptics.com/Spoton) vous permettra d'associer vos cartouches au réticule. En fait, nous vous recommandons vivement de vous rendre sur le site Spot On afin de connaître les distances correspondant à chacun des cercles et de retrouver les données balistiques exactes pour les tirs à longue portée.



Le site Web Spot On a été conçu pour fournir des informations précises qui permettent de mettre directement en correspondance la balistique du projectile utilisé avec le réticule.

Veuillez noter que vous devez vérifier que le réglage effectué correspond aux informations fournies dans le présent mode d'emploi ou dans le programme Spot On avant de passer à l'action. La seule façon de véritablement vérifier ces informations est de tirer. Une fois encore, il est possible que les variables énumérées plus haut affectent les résultats obtenus.

Remarque : le réticule doit impérativement être de niveau par rapport à l'arme à feu. Si le réticule est incliné, ne serait-ce que de quelques degrés, le tir risque de dévier par rapport à l'axe central du point visé. Il existe divers types de dispositifs de mise à niveau disponibles sur le marché, mais celui qui semble le plus précis dans la mise à niveau du réticule est le fil à plomb. Utilisez un niveau à bulle pour vérifier que l'arme à feu est de niveau, puis observez à travers la lunette un fil à plomb installé de manière adaptée et alignez le réticule en conséquence.

Veuillez également noter que les réticules BDC Nikon ont été conçus à l'origine pour être utilisés avec un **agrandissement maximum**. Étant donné que modifier l'agrandissement change la position des cercles par rapport à la cible, les distances données dans chacune des illustrations sont celles qui correspondent à l'agrandissement maximum. Le réticule central ne change pas avec l'agrandissement car il est placé au centre optique de la lunette. L'avantage du programme Spot On est qu'il permet de calculer la distance que chaque cercle représente à chaque agrandissement.

Pour toute question complémentaire sur la technologie Spot On, rendez-vous sur le site internet : <http://spoton.nikonsportoptics.com/spoton/questions.html>

Remarque :

Spot On n'est disponible qu'aux États-Unis et au Canada.

Entretien

(1) Nettoyage de l'objectif

Pour retirer la poussière et les traces de doigts, imbibez une feuille de papier de soie pour objectif (papier sans silicone vendu dans les magasins d'appareils photo) d'une petite quantité d'alcool pur (en vente dans les drogueries) et essuyez légèrement les zones concernées. Il est déconseillé d'utiliser un mouchoir ou une peau de chamois car cela pourrait abîmer la surface de l'objectif.

La poussière peut rayer ou attaquer la surface de l'objectif.

Époussetez-la avec un pinceau non gras à poils souples.

(2) Surface extérieure de la lunette

Utilisez un chiffon doux et sec pour enlever la poussière et les traces de doigts.

Il est inutile de graisser la surface de la lunette.

(3) Tourelles de réglage de dérive et de hausse

Les tourelles de réglage possèdent un système de graissage permanent. N'essayez pas de les graisser.

(4) Réglage de l'oculaire

Ce réglage possède un système de graissage permanent. N'essayez pas de le graisser.

(5) Bague de sélection de puissance

Il n'est pas nécessaire de graisser la bague de sélection de puissance.

Modèles étanches :

Les lunettes de visée étant étanches, leur système optique ne s'abîmera pas si elles sont immergées ou tombent dans l'eau, à une profondeur maximale de 3 pieds 3 pouces (1 m) pendant dix minutes au plus.

Cette lunette de visée présente les avantages suivants :

- Elle est utilisable par forte humidité, poussière et pluie sans risques de dommages.
- Sa conception à injection d'azote la rend résistante à la condensation et aux moisissures.

Respectez les précautions suivantes lorsque vous utilisez la lunette de visée :

- N'utilisez pas et ne placez pas la lunette de visée sous l'eau courante.
- En cas d'humidité, essuyez la lunette avant d'ajuster les parties mobiles (tourelle de réglage, oculaire, etc.) pour éviter tout dégât et pour des raisons de sécurité.

Pour maintenir votre lunette de visée dans un état optimal, Nikon Vision recommande un entretien régulier par un revendeur agréé.

Les caractéristiques techniques et l'équipement peuvent être modifiés sans préavis ni obligation de la part du fabricant.

Memo

Memo

In the event that you should require service for your Nikon RIFLESCOPE,
in case of USA market, please send it directly to:

Nikon Scope Service

6420 Wilshire Blvd Suite 100

Los Angeles, CA 90048-5501

1-800-Nikon SV.

In other market, please bring it to dealer from which you purchased it.

Si vous avez besoin de faire réparer votre lunette de visée Nikon,
apportez-la au magasin où vous l'avez achetée.

Manufacturer: NIKON VISION CO., LTD.

Printed in the Philippines 855C_1_1712
Imprimé en Les Philippines