

Nikon

NIKKOR

NIKKOR Z 50mm f/1.8 S

Reference Guide

- Read this document thoroughly before using the product.
- To ensure proper use of the product, be sure to read “For Your Safety” (page 4).
- After reading this document, keep it readily accessible for future reference.

NIKON CORPORATION

© 2018 Nikon Corporation



CT4J01(11)
7MM04211-01

En

Table of Contents

Introduction	3
Before You Begin.....	3
For Your Safety.....	4
Notices.....	6
Using the Lens	8
Parts of the Lens: Names and Functions.....	8
Attachment and Removal.....	12
Attaching and Removing the Lens Hood.....	13
Precautions for Use.....	14
Lens Care.....	15
Technical Notes	16
Accessories.....	16
Specifications.....	17

Introduction

Before You Begin


Before using this product, please carefully read both these instructions and the camera manual.


Note: This lens is intended exclusively for use with mirrorless cameras featuring a Nikon Z mount.

For Your Safety

To prevent damage to property or injury to yourself or to others, read "For Your Safety" in its entirety before using this product.

Keep these safety instructions where all those who use this product will read them.

 **WARNING:** Failure to observe the precautions marked with this icon could result in death or severe injury.

 **CAUTION:** Failure to observe the precautions marked with this icon could result in injury or property damage.

WARNING

Do not disassemble or modify this product. Do not touch internal parts that become exposed as the result of a fall or other accident.

Failure to observe these precautions could result in electric shock or other injury.

Should you notice any abnormalities such as the product producing smoke, heat, or unusual odors, immediately disconnect the camera power source.

Continued operation could result in fire, burns or other injury.

Keep dry. Do not handle with wet hands.

Failure to observe these precautions could result in fire or electric shock.

Do not use this product in the presence of flammable dust or gas such as propane, gasoline or aerosols.

Failure to observe this precaution could result in explosion or fire.

Do not directly view the sun or other bright light source through the lens.

Failure to observe this precaution could result in visual impairment.

Keep this product out of reach of children.

Failure to observe this precaution could result in injury or product malfunction. In addition, note that small parts constitute a choking hazard. Should a child swallow any part of this product, seek immediate medical attention.

Do not handle with bare hands in locations exposed to extremely high or low temperatures.

Failure to observe this precaution could result in burns or frostbite.

 **CAUTION**

Do not leave the lens pointed at the sun or other strong light sources.

Light focused by the lens could cause fire or damage to product's internal parts. When shooting backlit subjects, keep the sun well out of the frame. Sunlight focused into the camera when the sun is close to the frame could cause fire.

Do not leave the product where it will be exposed to extremely high temperatures, for an extended period such as in an enclosed automobile or in direct sunlight.

Failure to observe this precaution could result in fire or product malfunction.

Do not transport cameras or lenses with tripods or similar accessories attached.

Failure to observe this precaution could result in injury or product malfunction.

Notices

Notices for Customers in the U.S.A.

This device complies with part 15 of the FCC Rules. Operation is subject to the following two conditions: (1) this device may not cause harmful interference, and (2) this device must accept any interference received, including interference that may cause undesired operation.

■ Federal Communications Commission (FCC) Radio Frequency Interference Statement

This equipment has been tested and found to comply with the limits for a Class B digital device, pursuant to Part 15 of the FCC rules. These limits are designed to provide reasonable protection against harmful interference in a residential installation. This equipment generates, uses, and can radiate radio frequency energy and, if not installed and used in accordance with the instructions, may cause harmful interference to radio communications. However, there is no guarantee that interference will not occur in a particular installation. If this equipment does cause harmful interference to radio or television reception, which can be determined by turning the equipment off and on, the user is encouraged to try to correct the interference by one or more of the following measures:

- Reorient or relocate the receiving antenna.
- Increase the separation between the equipment and receiver.
- Connect the equipment into an outlet on a circuit different from that to which the receiver is connected.
- Consult the dealer or an experienced radio/television technician for help.

■ CAUTIONS

• Modifications

The FCC requires the user to be notified that any changes or modifications made to this device that are not expressly approved by Nikon Corporation may void the user's authority to operate the equipment.

Nikon Inc., 1300 Walt Whitman Road, Melville, New York 11747-3064, U.S.A.

Tel.: 631-547-4200

Notice for Customers in Canada

CAN ICES-3 B / NMB-3 B

Notice for Customers in Europe

This symbol indicates that electrical and electronic equipment is to be collected separately.



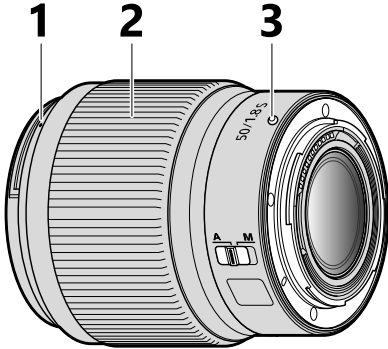
The following apply only to users in European countries:

- This product is designated for separate collection at an appropriate collection point. Do not dispose of as household waste.
- Separate collection and recycling helps conserve natural resources and prevent negative consequences for human health and the environment that might result from incorrect disposal.
- For more information, contact the retailer or the local authorities in charge of waste management.

Using the Lens

Parts of the Lens: Names and Functions

The parts of the lens are listed below.



1 Lens hood mounting mark

Use when attaching the lens hood.

📖 ["Attaching and Removing the Lens Hood" \(p.13\)](#)

2 Control ring

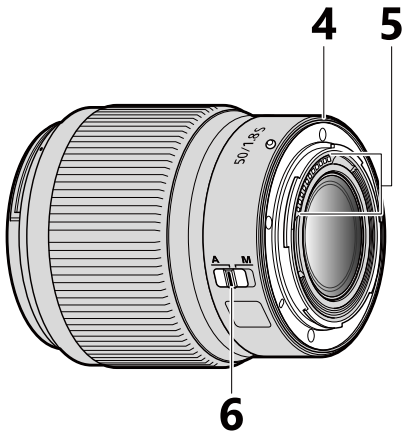
Autofocus mode selected: In autofocus mode, you can rotate this customizable ring to perform a function selected with the camera (see the camera manual for details).

Manual focus mode selected: Rotate to focus.

3 Lens mounting mark

Use when mounting the lens on the camera.

📖 ["Attachment and Removal" \(p.12\)](#)



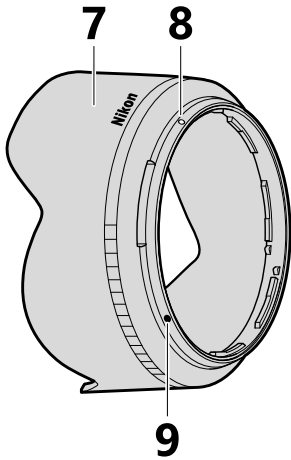
4 Rubber lens-mount gasket

5 CPU contacts

Used to transfer data to and from the camera.

6 Focus-mode switch

Choose **A** for autofocus, **M** for manual focus. Note that regardless of the setting chosen, focus must be adjusted manually when manual focus mode is selected using camera controls.



7 Lens hood

Lens hoods block stray light that would otherwise cause flare or ghosting. They also serve to protect the lens.

📖 [“Attaching and Removing the Lens Hood” \(p.13\)](#)

8 Lens hood lock mark

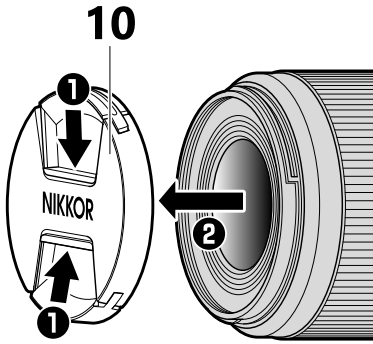
Use when attaching the lens hood.

📖 [“Attaching and Removing the Lens Hood” \(p.13\)](#)

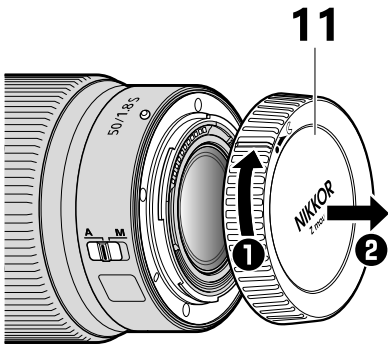
9 Lens hood alignment mark

Use when attaching the lens hood.

📖 [“Attaching and Removing the Lens Hood” \(p.13\)](#)



10 Front lens cap



11 Rear lens cap

Attachment and Removal

Attaching the Lens

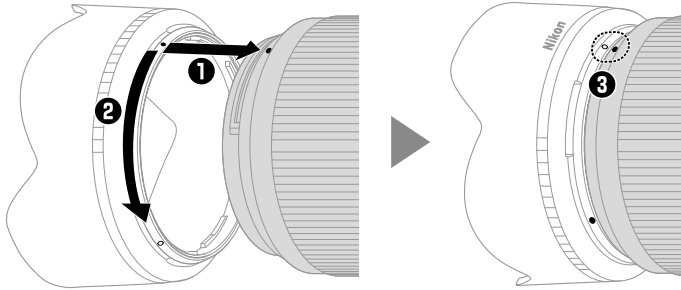
1. Turn the camera off, remove the body cap, and detach the rear lens cap.
2. Position the lens on the camera body, keeping the mounting mark on the lens aligned with the mounting mark on the camera body, and then rotate the lens counterclockwise until it clicks into place.

Removing the Lens

1. Turn the camera off.
2. Press and hold the lens release button while turning the lens clockwise.

Attaching and Removing the Lens Hood

Align the lens hood mounting mark (●) with the lens hood alignment mark (●) and then rotate the hood (2) until the ● mark is aligned with the lens hood lock mark (○). To remove the hood, reverse the above steps.



When attaching or removing the hood, hold it near the ● symbol on its base and avoid gripping it too tightly. The hood can be reversed and mounted on the lens when not in use.

When the Lens Is Attached

The focus position may change if you turn the camera off and then on again after focusing. Refocus before shooting. If you have focused on a pre-selected location while waiting for your subject to appear, we recommend that you do not turn the camera off until the picture is taken.

Precautions for Use

- Do not pick up or hold the lens or camera using only the lens hood.
- Keep the CPU contacts clean.
- Should the rubber lens-mount gasket be damaged, cease use immediately and take the lens to a Nikon-authorized service center for repair.
- Replace the front and rear lens caps when the lens is not in use.
- To protect the interior of the lens, store it out of direct sunlight.
- Keep the lens dry. Rusting of the internal mechanism can cause irreparable damage.
- Leaving the lens in extremely hot locations could damage or warp parts made from reinforced plastic.
- Taking the lens from a warm to a cold environment or vice versa may cause damaging condensation inside and outside the lens. Place the lens in a sealed bag or plastic case before taking it across a temperature boundary. The lens can be taken from the bag or case once it has had time to adjust to the new temperature.
- We recommend that you place the lens in its case to protect it from scratches during transport.

Lens Care

- Removing dust is normally sufficient to clean the glass surfaces of the lens.
- Smudges and fingerprints can be removed from the lens surface using a soft, clean cotton cloth or lens cleaning tissue lightly dampened with a small amount of ethanol or lens cleaner. Wipe gently from the center outwards in a circular motion, taking care not to leave smears or touch the lens with your fingers.
- Never use organic solvents such as paint thinner or benzene to clean the lens.
- Neutral Color (NC) filters (available separately) and the like can be used to protect the front lens element.
- If the lens will not be used for an extended period, store it in a cool, dry location to prevent mold and rust. Do not store in direct sunlight or with naphtha or camphor moth balls.

Technical Notes

Accessories

Supplied Accessories

- LC-62B 62 mm snap-on Front Lens Cap
- LF-N1 Rear Lens Cap
- HB-90 Bayonet Hood
- CL-C1 Lens Case

✔ Using the Lens Case

- The case is intended to protect the lens from scratches, not from falls or other physical shocks.
- The case is not water resistant.
- The material used in the case may fade, bleed, shrink, or change color when rubbed or wet.
- Remove dust with a soft brush.
- Water and stains can be removed from the surface with a soft, dry cloth. Do not use alcohol, benzene, thinner, or other volatile solvents or detergents.
- Do not store in locations exposed to direct sunlight or high temperatures or humidity.
- Do not use the case to clean the monitor or lens elements.
- Be careful that the lens does not fall from the case during transport.

Material: Polyester

Compatible Accessories

62 mm screw-on filters

✔ Filters

Use only one filter at a time. Remove the lens hood before attaching filters or rotating circular polarizing filters.

Specifications

Mount	Nikon Z mount
Focal length	50 mm
Maximum aperture	f/1.8
Lens construction	12 elements in 9 groups (including 2 ED elements, 2 aspherical elements, and elements with Nano Crystal Coat)
Angle of view	FX format: 47° DX format: 31°30'
Focusing system	Internal focusing system
Minimum focus distance	0.4 m (1.32 ft)
Diaphragm blades	9 (rounded diaphragm opening)
Aperture range	f/1.8 – 16
Filter-attachment size	62 mm (P = 0.75 mm)
Dimensions	Approx. 76 mm (3.0 in.) maximum diameter × 86.5 mm (3.5 in.) (distance from camera lens mount flange)
Weight	Approx. 415 g (14.7 oz)

Nikon reserves the right to change the appearance, specifications, and performance of this product at any time and without prior notice.

