

**Nikon**

**NIKKOR**

**NIKKOR Z 28mm f/2.8**

Reference Guide

- Read this document thoroughly before using the product.
- To ensure proper use of the product, be sure to read “For Your Safety” (page 4).
- After reading this document, keep it readily accessible for future reference.

**NIKON CORPORATION**

© 2020 Nikon Corporation



CT4K01(11)  
7MM05011-01

En

# Table of Contents

<b>Introduction .....</b>	<b>3</b>
Before You Begin.....	3
For Your Safety.....	4
Notices.....	6
<b>Using the Lens .....</b>	<b>8</b>
Parts of the Lens: Names and Functions.....	8
Attachment and Removal.....	10
Precautions for Use.....	12
Lens Care.....	13
<b>Technical Notes .....</b>	<b>14</b>
Accessories.....	14
Specifications.....	15

# Introduction

## Before You Begin

Before using this product, please read these instructions carefully. You will also need to consult the camera manual.


- This lens is intended exclusively for use with mirrorless cameras featuring a Nikon Z mount.
- Update the camera firmware to the latest version. With earlier versions, the camera may fail to detect the lens correctly and some features may not be available. The latest version of the camera firmware can be downloaded from the Nikon Download Center at the URL below.


<https://downloadcenter.nikonimglib.com/>

# For Your Safety

To prevent damage to property or injury to yourself or to others, read "For Your Safety" in its entirety before using this product.

Keep these safety instructions where all those who use this product will read them.

 **WARNING:** Failure to observe the precautions marked with this icon could result in death or severe injury.

 **CAUTION:** Failure to observe the precautions marked with this icon could result in injury or property damage.

## WARNING

**Do not disassemble or modify this product. Do not touch internal parts that become exposed as the result of a fall or other accident.**

Failure to observe these precautions could result in electric shock or other injury.

**Should you notice any abnormalities such as the product producing smoke, heat, or unusual odors, immediately disconnect the camera power source.**

Continued operation could result in fire, burns or other injury.

**Keep dry. Do not handle with wet hands.**

Failure to observe these precautions could result in fire or electric shock.

**Do not use this product in the presence of flammable dust or gas such as propane, gasoline or aerosols.**

Failure to observe this precaution could result in explosion or fire.

**Do not directly view the sun or other bright light source through the lens.**

Failure to observe this precaution could result in visual impairment.

**Keep this product out of reach of children.**

Failure to observe this precaution could result in injury or product malfunction. In addition, note that small parts constitute a choking hazard. Should a child swallow any part of this product, seek immediate medical attention.

**Do not handle with bare hands in locations exposed to extremely high or low temperatures.**

Failure to observe this precaution could result in burns or frostbite.

 **CAUTION**

**Do not leave the lens pointed at the sun or other strong light sources.**

Light focused by the lens could cause fire or damage to product's internal parts.

When shooting backlit subjects, keep the sun well out of the frame. Sunlight focused into the camera when the sun is close to the frame could cause fire.

---

**Do not leave the product where it will be exposed to extremely high temperatures, for an extended period such as in an enclosed automobile or in direct sunlight.**

Failure to observe this precaution could result in fire or product malfunction.

---

**Do not transport cameras or lenses with tripods or similar accessories attached.**

Failure to observe this precaution could result in injury or product malfunction.

---

# Notices

## **Notices for Customers in the U.S.A.**

This device complies with part 15 of the FCC Rules. Operation is subject to the following two conditions: (1) this device may not cause harmful interference, and (2) this device must accept any interference received, including interference that may cause undesired operation.

### **■ Federal Communications Commission (FCC) Radio Frequency Interference Statement**

This equipment has been tested and found to comply with the limits for a Class B digital device, pursuant to Part 15 of the FCC rules. These limits are designed to provide reasonable protection against harmful interference in a residential installation. This equipment generates, uses, and can radiate radio frequency energy and, if not installed and used in accordance with the instructions, may cause harmful interference to radio communications. However, there is no guarantee that interference will not occur in a particular installation. If this equipment does cause harmful interference to radio or television reception, which can be determined by turning the equipment off and on, the user is encouraged to try to correct the interference by one or more of the following measures:

- Reorient or relocate the receiving antenna.
- Increase the separation between the equipment and receiver.
- Connect the equipment into an outlet on a circuit different from that to which the receiver is connected.
- Consult the dealer or an experienced radio/television technician for help.

### **■ CAUTIONS**

#### **• Modifications**

The FCC requires the user to be notified that any changes or modifications made to this device that are not expressly approved by Nikon Corporation may void the user's authority to operate the equipment.

Nikon Inc., 1300 Walt Whitman Road, Melville, New York 11747-3064, U.S.A.

Tel.: 631-547-4200

## **Notice for Customers in Canada**

CAN ICES-3 B / NMB-3 B

## **Notice for Customers in Europe**

This symbol indicates that electrical and electronic equipment is to be collected separately.



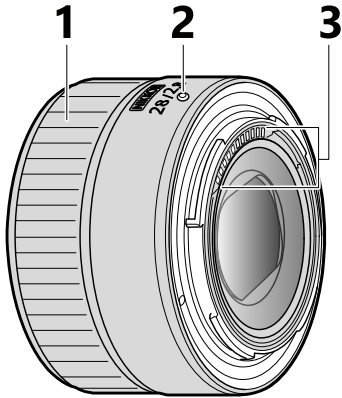
The following apply only to users in European countries:

- This product is designated for separate collection at an appropriate collection point. Do not dispose of as household waste.
- Separate collection and recycling helps conserve natural resources and prevent negative consequences for human health and the environment that might result from incorrect disposal.
- For more information, contact the retailer or the local authorities in charge of waste management.

# Using the Lens

## Parts of the Lens: Names and Functions

The parts of the lens are listed below.



### 1 Control ring

**Autofocus mode selected:** In autofocus mode, rotate the ring to adjust a setting such as **[Focus (M/A)]** or **[Aperture]** assigned using the camera. For more information, see the description of **[Custom control assignment]**, **[Custom controls]**, or **[Custom controls (shooting)]** in the camera manual.  
**Manual focus mode selected:** Rotate the ring to focus.

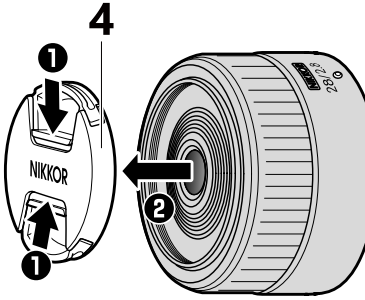
### 2 Lens mounting mark

Use when mounting the lens on the camera.

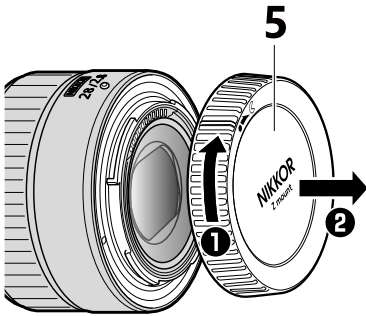
📖 ["Attachment and Removal" \(p.10\)](#)

### 3 CPU contacts

Used to transfer data to and from the camera.



**4 Lens cap (front cap)**



**5 Lens cap (rear cap)**

# Attachment and Removal

## Attaching the Lens

1. Turn the camera off, remove the body cap, and detach the rear lens cap.
2. Position the lens on the camera body, keeping the mounting mark on the lens aligned with the mounting mark on the camera body, and then rotate the lens counterclockwise until it clicks into place.

## Removing the Lens

1. Turn the camera off.
2. Press and hold the lens release button while turning the lens clockwise.

## When Shooting

The focus position may change if you turn the camera off and then on again after focusing. If you have focused on a pre-selected location while waiting for your subject to appear, we recommend that you do not turn the camera off until the picture is taken.

## Using the Lens on Cameras with a Built-in Flash

Shadows may be visible in photos where light from the built-in flash is obscured by the lens.

- For information on focal lengths and subject distances at which shadows will not appear in photos taken with a built-in flash, visit the site below.

<https://downloadcenter.nikonimglib.com/>

## **Cameras with AF-Assist Illuminators**

The lens may block the light from the camera AF-assist illuminator.

- For information on using the lens with cameras that have built-in AF-assist illuminators, visit the site below.

<https://downloadcenter.nikonimglib.com/>

# Precautions for Use

- Do not pick up or hold the lens or camera using only the lens caps.
- Keep the CPU contacts clean.
- Replace the lens caps when the lens is not in use.
- Do not leave the lens in humid locations or in locations in which it may be exposed to moisture. Rusting of the internal mechanism can cause irreparable damage.
- Do not leave the lens next to open flames or in other extremely hot locations. Extreme heat could damage or warp the reinforced plastic exterior.
- Taking the lens from a warm to a cold environment or vice versa may cause damaging condensation inside and outside the lens. Place the lens in a sealed bag or plastic case before taking it across a temperature boundary. The lens can be taken from the bag or case once it has had time to adjust to the new temperature.
- We recommend that you place the lens in a case (available separately) to protect it from scratches during transport.

# Lens Care

- Removing dust is normally sufficient to clean the glass surfaces of the lens.
- Smudges, fingerprints, and other oily stains can be removed from the lens surface using a soft, clean cotton cloth or lens cleaning tissue lightly dampened with a small amount of ethanol or lens cleaner. Wipe gently from the center outwards in a circular motion, taking care not to leave smears or touch the lens with your fingers.
- Never use organic solvents such as paint thinner or benzene to clean the lens.
- Neutral Color (NC) filters (available separately) and the like can be used to protect the front lens element.
- Do not store with naphtha or camphor moth balls or in direct sunlight. If the lens will not be used for an extended period, store it in a cool, dry location to prevent mold and rust.

# Technical Notes

## Accessories

### Supplied Accessories

- LC-52B Lens Cap (front cap)
- LF-N1 Lens Cap (rear cap)

### Compatible Accessories

- CL-C4 Lens Case
- 52 mm filters

**Filters**

Use only one filter at a time.

# Specifications

<b>Mount</b>	Nikon Z mount
<b>Focal length</b>	28 mm
<b>Maximum aperture</b>	f/2.8
<b>Lens construction</b>	9 elements in 8 groups (including 2 aspherical elements)
<b>Angle of view</b>	FX format: 75°
	DX format: 53°
<b>Focusing system</b>	Internal focusing system
<b>Minimum focus distance (measured from focal plane)</b>	0.19 m (0.63 ft)
<b>Maximum reproduction ratio</b>	0.2×
<b>Diaphragm blades</b>	7 (rounded diaphragm opening)
<b>Aperture range</b>	f/2.8 – 16
<b>Filter-attachment size</b>	52 mm (P = 0.75 mm)
<b>Dimensions</b>	Approx. 70 mm (2.8 in.) maximum diameter × 43 mm (1.7 in.) (distance to end of lens from camera lens mount flange)
<b>Weight</b>	Approx. 155 g (5.5 oz)

Nikon reserves the right to change the appearance, specifications, and performance of this product at any time and without prior notice.

