

**Nikon**

En

Es

Fr

Pt



**ACULON**

Instruction manual/Manual de instrucciones/  
Manuel d'utilisation/Manual de instruções



<b>English .....</b>	<b>p. 4-18</b>
<b>Español .....</b>	<b>p. 19-33</b>
<b>Français .....</b>	<b>p. 34-48</b>
<b>Português brasileiro .....</b>	<b>p. 49-63</b>

## English

### CONTENTS

Cautions before use .....	5-8
Key features .....	9
Nomenclature/Composition .....	10
Inserting and Changing battery .....	11
Internal display .....	12
Measurement .....	13
Disance display units/Target priority mode/ Others .....	14
Specifications .....	15-16
Troubleshooting/Repair .....	17-18

Thank you for purchasing the Nikon Laser Rangefinder ACULON.

**Use of controls or adjustments or performance of procedures other than those specified herein may result in hazardous radiation exposure.**

- Before using this product, read thoroughly the “Cautions before use” and instructions on correct usage in this instruction manual (this manual).
- Keep this manual within reach for easy reference.
- Do not disassemble or repair this product by yourself, this may result in a serious problem. A product that has been disassembled or repaired is not guaranteed by the manufacturer.
- Specifications and design are subject to change without notice.
- No reproduction in any form of this manual, in whole or in part (except for brief quotation in critical articles or reviews), may be made without written authorization from NIKON VISION CO., LTD.
- NIKON VISION CO., LTD. reserves the right to change the contents described in these manuals at any time and without prior notice.

## Cautions before use

**En** Please observe the following guidelines strictly so you can use the equipment properly and avoid potentially hazardous problems. Before using this product, read thoroughly the “Cautions before use” and instructions on correct usage accompanying the product. Keep this manual within reach for easy reference.

### WARNING

This indication alerts you to the fact that any improper use ignoring the contents described herein can result in potential death or serious injury.

### CAUTION

This indication alerts you to the fact that any improper use ignoring the contents described herein can result in potential injury or material loss.

## SAFETY PRECAUTIONS (Laser)

The Nikon Laser Rangefinder uses an invisible laser beam. Be sure to observe the following:

### Warning

- Do not depress the POWER ON/ Measurement button while looking into the optics from the objective side. Failure to do this may negatively affect or damage your eyes.
- Do not aim at the eye.
- Do not point the laser at people.
- Do not look at the laser with another optical instrument such as through lenses or binoculars, nor with the naked eye. This may result in damage to the eyes.
- When not measuring, please keep your fingers away from the POWER ON/Measurement button to avoid accidentally emitting the laser beam.
- When not in use for an extended period, please remove the battery from the body.
- Do not disassemble/remodel/repair the Nikon Laser Rangefinder. The emitting laser may be harmful to your health. A product that has been disassembled/remodeled/repared is not guaranteed by the manufacturer.

- Keep the Nikon Laser Rangefinder out of reach of children when stored.
- If the Nikon Laser Rangefinder's body cover is damaged, or if it emits a strange sound due to dropping or some other cause, remove the battery immediately and stop using.

## SAFETY PRECAUTIONS (Monocular)

The Nikon Laser Rangefinder employs a monocular in its optical system in order to aim at the target. Be sure to observe the following:

### **⚠ Warning**

- Never look directly at the sun, an intense light or the laser beam when using the Nikon Laser Rangefinder.

### **⚠ Cautions**

- When not using the Nikon Laser Rangefinder, do not push the POWER ON/Measurement button.
- Do not use this product while walking. Failure to observe this may cause injury or malfunction as a result of walking into something, hitting others, falling or other accidents.
- Do not swing around by the strap. This may result in hitting others and cause injury.
- Do not place this product in an unstable place. Failure to observe this may result in falling or dropping and cause injury or malfunction.
- Keep the plastic bag used to wrap this product or other small parts out of reach of children.

- Prevent children from putting rubber eyecup or small parts, etc. into their mouths. If children swallow such parts, consult a doctor immediately.
- If using the rubber eyecup for a long period of time, some people may suffer skin inflammation. If any symptoms occur, stop using it and consult a doctor immediately.
- When carrying the Nikon Laser Rangefinder, store it in the soft case.
- If your Nikon Laser Rangefinder should fail to operate correctly, discontinue use immediately and consult with your local dealer for instructions on where to send it for repair.

## SAFETY PRECAUTIONS (lithium battery)

If handled incorrectly, the battery may rupture and leak, corroding equipment and staining clothing. Be sure to observe the following:

- Install the battery with the + and – poles positioned correctly.
- The battery should be removed when exhausted or during extended periods of non-use.
- Do not short the end terminal of the battery chamber.
- Do not carry together with keys or coins in a pocket or bag, it may short and cause overheating.
- Do not expose the battery to water, or a flame. Never disassemble the battery.
- Do not charge the lithium battery.
- If liquid from a damaged battery comes into contact with clothing or skin, rinse immediately with plenty of water. If liquid from a damaged battery enters the eyes, rinse immediately with clean water, then consult a doctor.
- When disposing of the battery, follow your local area regulations.

En

Es

Fr

Pt

## Cautions before use

### En SAFETY PRECAUTIONS

#### Es ⚠ Cautions

- The Nikon Laser Rangefinder is not designed for use underwater.
- Rain, water, sand and mud should be removed from the rangefinder body surface as soon as possible, using a soft, clean cloth.
- Do not leave the Nikon Laser Rangefinder in a car on a hot or sunny day, or near heat-generating equipment. This may damage or negatively affect it.
- Do not leave the Nikon Laser Rangefinder in direct sunlight. Ultraviolet rays and excessive heat may negatively affect or even damage the unit.
- If the Nikon Laser Rangefinder is exposed to sudden changes in temperature, water condensation may occur on lens surfaces. Do not use the product until the condensation has evaporated.

### CARE AND MAINTENANCE

#### Lenses

- When removing dust on the lens surface, use a soft oil-free brush.
- When removing stains or smudges like fingerprints from the lens surface, wipe the lenses very gently with a soft clean cotton cloth or quality oil-free lens tissue. Use a small quantity of pure alcohol (not denatured) to wipe stubborn smudges. Do not use velvet cloth or ordinary tissue, as it may scratch the lens surface. Once the cloth has been used for cleaning the body, it should not be used again for the lens surface.


#### Main body

- Clean the body surface with a soft, clean cloth after blowing away dust with a blower\* lightly. Do not use benzene, thinner, or other cleaners containing organic solvents.  
\* A blower is rubber cleaning equipment that blows air from a nozzle.


### Storage

- Water condensation or mold may occur on the lens surface because of high humidity. Therefore, store the Nikon Laser Rangefinder in a cool, dry place.  
After use on a rainy day or at night, thoroughly dry it at room temperature, then store in a cool, dry place.

#### En Symbol for separate collection applicable in European countries

- 
- This symbol indicates that this battery is to be collected separately. The following apply only to users in European countries.
  - This battery is designated for separate collection at an appropriate collection point. Do not dispose of as household waste.
  - For more information, contact the retailer or the local authorities in charge of waste management.

#### En Symbol for separate collection applicable in European countries

- 
- This symbol indicates that this product is to be collected separately. The following apply only to users in European countries.
  - This product is designated for separate collection at an appropriate collection point. Do not dispose of as household waste.
  - For more information, contact the retailer or the local authorities in charge of waste management.

## Key Features

- Measurement range: 5-500 meters/6-550 yards
- High-quality 6x finder with multilayer coating
- Distant Target Priority mode is employed
- Sustained pressing of the POWER ON/Measurement button activates continuous measurement function
- Automatic power shut-off (after approx. 8 sec. unoperated)
- Default to "Last Use" settings
- Rainproof — JIS/IEC protection class 4 (IPX4) equivalent (under our testing conditions)
- Invisible/Eyesafe EN/IEC Class 1M Laser

**The Nikon Laser Rangefinder uses an invisible laser beam for measuring. It measures the time the laser beam takes to travel from the rangefinder to the target and back. Laser reflectivity and measurement results may vary according to climatic and environmental conditions, as well as the color, surface finish, size, shape and other characteristics of the target.**

### **The following conditions makes measuring easier:**

- Cloudy weather
- Bright-colored target
- Target with highly reflective surface
- Large-size target
- When laser incident angle to the target is close to 90 degrees

### **Measurement may result in inaccuracy or failure in the following cases:**

- Target has small or slender reflective surface
- Target has diffusing reflective surface
- Target does not reflect the laser beam to the rangefinder
- Target has totally reflective surface (glass, mirror, etc.)
- Black target
- Target has stepped surface
- In snow, rain or fog
- Target measured through glass
- Reflective surface measured from diagonal direction
- Moving or vibrating target
- Obstacle cutting across in front of the target
- When measuring the surface of water

En

Es

Fr

Pt

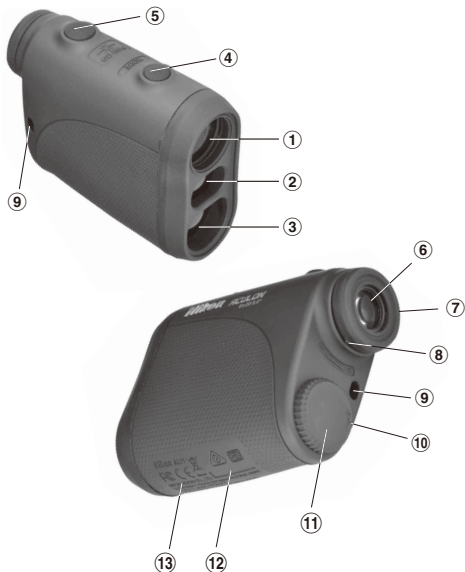
## Nomenclature/Composition

En

Es

Fr

Pt



- ① Monocular objective lens
- ② Laser emission aperture
- ③ Laser detector aperture
- ④ MODE button
- ⑤ POWER ON/Measurement button
- ⑥ 6x monocular eyepiece
- ⑦ Eyecup/diopter adjustment ring
- ⑧ Diopter index
- ⑨ Strap eyelet
- ⑩ Battery chamber cover "Open" indication
- ⑪ Battery chamber cover
- ⑫ Product number label
- ⑬ FDA information indication

**Nikon AL11**



NIKON VISION CO., LTD.   
3-25, Futaba 1-chome, Shinagawa-ku, Tokyo, Japan  
CLASS I LASER PRODUCT  
THIS PRODUCT COMPLIES WITH 21CFR  
1040.10 AND 1040.11      Made in China

### Composition

Body .....	x1	Neckstrap .....	x1
Soft case .....	x1	Lithium battery (CR2) ..	x1

## Inserting and Changing Battery

En

Es

Fr

Pt

• **Type of battery:** 3V CR2 lithium battery

• **Battery remaining amount indicators**

\* Battery condition mark in the internal display warns when the battery needs to be replaced.



: Battery has enough power for use.



: Battery level is getting low. Prepare to replace the battery.



: Battery level is low. Battery should be replaced with a new one.



- flashing : Battery is exhausted. After the indicator flashes three times, the laser rangefinder automatically powers off. Please replace the battery.

### ① **Open the battery chamber cover**

Rotate the battery chamber cover counterclockwise and remove it. It may not open easily due to its rubber packing for water resistance.

### ② **Insert the battery/Replace the old battery with a new one**

Insert a new battery correctly positioned following the indication seal inside the chamber. The [-] pole should be positioned toward the inside of the chamber. If the battery is not inserted correctly, the Nikon Laser Rangefinder will not operate.

When replacing the battery, take the old battery out first. Then insert a new one.

### ③ **Close the battery chamber cover**

Rotate the battery chamber cover clockwise to screw it into the body. It may not close easily due to the rubber packing for water resistance, but continue to turn it all the way until it stops. Confirm that the cover is securely closed.

• **Battery life**

**Continuous operation:** Approx. 8,000 times (at approx. 20°C)

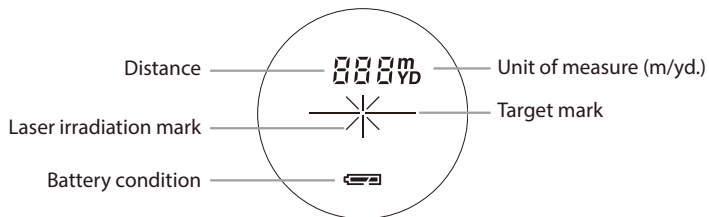
This figure may differ according to condition, temperature, and other factors such as target shape, color, etc.

\* The Nikon Laser Rangefinder comes with a 3V CR2 lithium battery. However, due to natural electric discharge, the life of this battery will likely be shorter than that noted above.

\* Replace the battery if the Nikon Laser Rangefinder is ever submerged in water or if water enters the battery chamber.

## Internal display

En  
Es  
Fr  
Pt



- 【 —+— 】 - Aim at the target you want to measure. Position the target at the center of the target mark.
- 【 × 】 - Appears while the laser is being irradiated for a measurement.  
Remains present during single measurement. Blinks during continuous measurements.  
Do not look into the objective lens while this mark is shown.
- 【 ∴ 】 - Now measuring
- 【 --- 】 - "Failure to measure" or "Unable to measure"

\* Usually, an LCD employs equal or lower magnification. However the LCD of this product is magnified by the high magnification of the eyepiece. Although this LCD was produced using the most advanced technology, it is impossible to eliminate dust completely. As a result, dust may be seen. It will not, however, affect measurement accuracy or safety during use.

## Measurement

**Caution — use of controls or adjustments or performance of procedures other than those specified herein may result in hazardous radiation exposure.**

### 1. Install a battery in the battery chamber. (See "Inserting and Changing Battery")

### 2. Diopter adjustment

Adjust diopter to obtain a clear image in the LCD. First, rotate the diopter adjustment ring counterclockwise until it comes to a complete stop. Next, turn on the power to activate the LCD when you look through the Nikon Laser Rangefinder. Rotate the diopter adjustment ring clockwise until the display comes into focus. If the diopter is not adjusted to correspond to your eyesight, you may not be able to correctly aim at your subject.

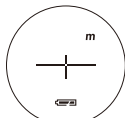
### 3. Measuring

Before measuring, be sure to confirm unit setting.

1. Turn on the power (Confirm the internal display is on). (Automatic power shut-off after approx. 8 sec. unattended.)



Immediately after power-on. (Initializing)



Stand-by.



Target aiming.

3. Press POWER ON/Measurement button once to start measurement. Keeping the button depressed enables continuous measurement up to approx. 20 seconds.



Measuring.

4. During measurement, the internal display shows "distance" and "fail to measure" indicator alternately. (Laser irradiation mark is blinking.)



Failure to measure or unable to measure distance.



Displays the measured figure. (Target 1)



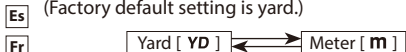
Displays the measured figure. (Target 2)

5. After measurement, the measured results are displayed for approx. 8 seconds, then power turns off. If you press the POWER ON/Measurement button during power-on (while the internal display is active), another measurement starts.



## Distance display units

**En** Measurement results are displayed in yards/meters.  
(Factory default setting is yard.)



- Pt**
1. Turn on the power (Confirm the internal display is on).
  2. Press and hold the MODE button for more than two seconds.  
When the display unit has been switched, release the button.
  3. After the unit is set, results will be converted and displayed in the selected distance display unit.

## Target priority mode

This Laser Rangefinder has a Distant Target Priority System. When measuring overlapping subjects, this equipment displays the distance to the farthest subject.

## Others

This device complies with Part 15 of the FCC Rules. Operation is subject to the following two conditions:

- (1) This device may not cause harmful interference, and
- (2) This device must accept any interference received, including interference that may cause undesired operation.

This equipment has been tested and found to comply with the limits for a Class B digital device, pursuant to Part 15 of the FCC Rules and to EU EMC directive. These limits are designed to provide reasonable protection against harmful interference in a residential installation. This equipment generates, uses and can radiate radio frequency energy and, if not installed and used in accordance with the instructions, may cause harmful interference to radio communications. However, there is no guarantee that interference will not occur in a particular installation. If this equipment does cause harmful interference to radio or television reception, which can be determined by turning the equipment off and on, the user is encouraged to try to correct the interference by one or more of the following measures:

- Reorient or relocate the receiving antenna.
- Increase the separation between the equipment and receiver.
- Consult the dealer or an experienced radio/TV technician for help.

This Class B digital apparatus meets all requirements of the Canadian Interference-Causing Equipment Regulations.

This Nikon Laser Rangefinder is a basic rangefinder. Its results cannot be used as official evidence.

## Specifications

Measurement system	
Measurement range	5-500 m/6-550 yd.
Distance display (increment)	Every 1 m/yd.
Optical system	
Type	Roof-prism monocular
Magnification (x)	6
Effective diameter of objective lens (mm)	20
Angular field of view (real) (°)	6.0
Eye relief (mm)	16.7
Exit pupil (mm)	3.3
Diopter adjustment	$\pm 4\text{m}^{-1}$
Others	
Operating temperature (°C)	-10 — +50
Power source	CR2 lithium battery x 1 (DC 3V)
Dimensions (L x H x W) (mm)	91 x 73 x 37
Weight (g)	Approx. 125 (without battery)
Structure	JIS/IEC protection class 4 (IPX4) equivalent (under our testing conditions)
Safety	Class 1M Laser Product (EN/IEC60825-1:2007) Class I Laser Product (FDA/21 CFR Part 1040.10:1985)
EMC	FCC Part15 SubPartB class B, EU:EMC directive, AS/ NZS, VCCI classB
Environment	RoHS, WEEE

En

Es

Fr

Pt

## Specifications

En  
Es  
Fr  
Pt

Laser	
Class	EN/IEC Class 1M
Wavelength (nm)	905
Pulse duration (ns)	20
Output (W)	10
Beam divergence (mrad)	Vertical: 3.8, Horizontal: 0.17
Operating humidity (%RH)	80 (without dew condensation)

### Water resistance performance

This Nikon Laser Rangefinder is equivalent to JIS/IEC protection class 4 (IPX4) (under our testing conditions). This rating does not guarantee the water resistance performance of the unit or that it will be free from damage or problems under all conditions. Please observe the following when using:

- The unit is not a sealed structure, so it should not be operated nor held in running water.
- If any moisture is found on movable parts of the unit, stop using it and wipe it off.
- Water may enter the unit if it is submerged in water. If water enters, wipe out any moisture and allow time for it to dry.

## Troubleshooting/Repair

If your Nikon Laser Rangefinder should require repair, please contact your local dealer for details regarding where to send it. Before doing so, you are advised to consult the Troubleshooting Table below.

Symptom	Check Points
Unit does not turn on — LCD fails to illuminate	<ul style="list-style-type: none"><li>• Depress POWER ON/Measurement button.</li><li>• Check battery insertion</li><li>• Replace the battery if necessary.</li></ul>
Target range cannot be obtained	<ul style="list-style-type: none"><li>• Be sure that nothing, such as your hand or finger, is blocking the laser emission aperture and laser detector.</li><li>• Be sure that the laser emission aperture and laser detector are clean. Clean them if necessary.</li><li>• Be sure that the target shape and condition are appropriate to reflect the laser beam.</li><li>• Replace battery.</li></ul>
[- - -] ("Cannot measure") appears	<ul style="list-style-type: none"><li>• Be sure to hold the unit steady while measuring.</li><li>• Be sure the target is within measuring range.</li></ul>
Closer target cannot be measured	<ul style="list-style-type: none"><li>• Be sure that nothing, such as leaves or grass, is between the Nikon Laser Rangefinder and the target.</li></ul>
Target beyond a certain distance cannot be measured	<ul style="list-style-type: none"><li>• Be sure that nothing, such as leaves or grass, is between the Nikon Laser Rangefinder and the target.</li></ul>

En

Es

Fr

Pt

## Troubleshooting/Repair

En

Es

Fr

Pt

Symptom	Check Points
Measurement result is unstable	<ul style="list-style-type: none"><li>• Replace the battery.</li><li>• Be sure that the target shape and condition are appropriate to reflect the laser beam.</li><li>• Be sure to hold the unit steady while measuring.</li><li>• Be sure that nothing, such as leaves or grass, is between the Nikon Laser Rangefinder and the target.</li></ul>
Incorrect result is displayed	<ul style="list-style-type: none"><li>• Replace battery.</li><li>• Be sure that the target shape and condition are appropriate to reflect the laser beam.</li><li>• Be sure that nothing, such as leaves or grass, is between the Nikon Laser Rangefinder and the target.</li></ul>

If problems persist after consulting the Troubleshooting Table, please contact your local dealer to check/repair the Nikon Laser Rangefinder. Never let anyone other than the official representative of the product manufacturer check or repair the Nikon Laser Rangefinder. Failure to follow this instruction could result in injury, or damage to the product.

## Español

### CONTENIDO

Precauciones antes del uso .....	20-23
Características clave .....	24
Nomenclatura/Componentes .....	25
Inserción y cambio de la batería .....	26
Pantalla interna .....	27
Medición .....	28
Unidades de indicación de la distancia/Modo de prioridad al sujeto/Otros .....	29
Especificaciones .....	30-31
Solución de problemas/Reparación .....	32-33

## Precauciones antes del uso

En

Muchas gracias por comprar el Nikon Laser Rangefinder ACULON.

Es

Fr

Pt

**La utilización de controles, ajustes o parámetros de procedimiento distintos de los aquí indicados puede provocar una exposición a radiaciones peligrosas.**

- Antes de utilizar el producto lea atentamente las "Precauciones antes del uso" y las instrucciones de uso correcto del manual de instrucciones (este manual).
- Tenga a mano este manual para consultarlo cuando lo precise.
- No desmonte ni repare este producto usted mismo, puede provocar algún problema grave. Un producto que haya sido desmontado o reparado pierde la garantía del fabricante.
  
- Las especificaciones y el diseño pueden cambiar sin aviso previo.
- Queda prohibida la reproducción total o parcial (excepto para citas breves en artículos o revisiones de evaluación) de este manual en cualquier forma sin la autorización previa por escrito de NIKON VISION CO., LTD.
- NIKON VISION CO., LTD. se reserva el derecho a modificar el contenido explicado en estos manuales en cualquier momento y sin aviso previo.

**Respete estrictamente las orientaciones siguientes para utilizar correctamente el equipo y evitar accidentes que podrían ser peligrosos. Antes de utilizar el producto lea atentamente las "Precauciones antes del uso" y las instrucciones de uso correcto que acompañan al producto. Tenga a mano este manual para consultarlo cuando lo precise.**

#### **⚠️ ADVERTENCIA**

Esta indicación le avisa que un uso incorrecto que no tenga en cuenta este punto puede provocar la muerte o heridas graves.

#### **⚠️ PRECAUCIÓN**

Esta indicación le advierte que cualquier utilización inadecuada que ignore el contenido aquí incluido puede provocar lesiones o pérdidas materiales.

## **PRECAUCIONES DE SEGURIDAD (Láser)**

El telémetro láser Nikon utiliza un haz láser invisible. Asegúrese de respetar lo siguiente:

### **⚠️ Advertencia**

- No pulse el botón POWER ON/ Measurement (encendido/medición) mientras mira la óptica desde el lado del objetivo. Si lo hace sus ojos podrían verse afectados negativamente o lesionados.
- No apunte al ojo.
- No apunte a personas con el láser.
- No utilice la unidad junto con otros elementos ópticos adicionales, como lentes o binoculares. La utilización de un elemento óptico junto con el telémetro láser Nikon aumenta el riesgo de dañar los ojos.
- Cuando no esté realizando mediciones, mantenga los dedos apartados del botón POWER ON/ Measurement (encendido/medición) para evitar la emisión accidental de un haz láser.
- Si no va a utilizarlo durante un período prolongado, retire la batería del cuerpo.
- No desmonte/remodele/repare el telémetro láser Nikon. El láser emitido podría ser nocivo para su salud. Un producto que haya sido desmontado/

remodelado/repuesto pierde la garantía del fabricante.

- Mantenga el telémetro láser Nikon fuera del alcance de los niños cuando lo guarde.
- Si la carcasa del telémetro láser Nikon está dañada o si emite un ruido raro después de una caída o por cualquier otra causa, retire la batería inmediatamente y deje de usarlo.

En

Es

Fr

Pt

**En**

### PRECAUCIONES DE SEGURIDAD (Monocular)

**Es**

El telémetro láser Nikon emplea un monocular en su sistema óptico para apuntar al objetivo. Asegúrese de respetar lo siguiente:

**Fr****Pt**

#### **Advertencia**

- Nunca mire directamente al sol, a una luz intensa ni al haz láser cuando utilice el Nikon Laser Rangefinder.

#### **Precauciones**

- Cuando no utilice el Nikon Laser Rangefinder, no pulse el botón POWER ON/Measurement (encendido/medición).
- No utilice este producto mientras camina. Si lo hace podría provocar lesiones o averías como resultado de tropiezos, golpes a otras personas, caídas u otros accidentes.
- No lo balancee con la correa. Podría golpear a alguien y herirlo.
- No coloque este producto en un lugar inestable. No respetar esta indicación puede provocar una caída y causar lesiones o averías.
- Mantenga la bolsa de plástico utilizada para envolver el producto y las piezas pequeñas fuera del alcance de los niños.

- No permita que los niños se pongan las ojeras de goma, piezas pequeñas, etc. en la boca. Si un niño se traga alguna de estas piezas, consulte a un médico inmediatamente.
- Si utilizan las ojeras de goma durante mucho tiempo, algunas personas pueden notar una inflamación de la piel. Si presenta algún síntoma, deje de utilizarlas y consulte inmediatamente a un médico.
- Cuando transporte el telémetro láser Nikon, guárdelo en el estuche flexible.
- Si su telémetro láser Nikon cae o funciona incorrectamente, deje de usarlo de inmediato y consulte a su distribuidor local dónde debe enviarlo para su reparación.

### PRECAUCIONES DE SEGURIDAD (Batería de litio)

Si se maneja incorrectamente, la batería pueden romperse y sufrir fugas, corroyendo los equipos y manchando la ropa

Asegúrese de respetar lo siguiente:

- Monte la batería con los polos + y - orientados correctamente.
- La batería debe retirarse cuando está agotada o en períodos prolongados de no utilización.
- No cortocircuite el terminal del extremo de la cámara de la batería.
- No la lleve junto con llaves o monedas en un bolsillo o bolsa, podría cortocircuitarse y provocar un sobrecalentamiento.
- No exponga la batería al agua ni a llamas. Nunca desmonte la batería.
- No recargue la batería de litio.
- Si el líquido de una batería dañada entra en contacto con la ropa o la piel, enjuáguela inmediatamente con mucha agua. Si el líquido de una batería dañada va a parar a los ojos, enjuáguelos inmediatamente con agua limpia y consulte a un médico.
- Deseche la batería conforme a las regulaciones locales de su zona.

## PRECAUCIONES DE SEGURIDAD

### ⚠️ Precauciones

- El Nikon Laser Rangefinder no está diseñado para utilizarlo bajo el agua.
- Lluvia, agua, arena y barro deben eliminarse de la superficie del telémetro lo antes posible, utilizando un paño suave y limpio.
- No deje el telémetro láser Nikon en un coche estacionado en un día cálido o soleado, o cerca de un equipo que genere calor. Podría dañarlo o afectarle negativamente.
- No deje el telémetro láser Nikon bajo la luz solar directa. Los rayos ultravioleta y el exceso de calor podrían afectar negativamente a la unidad e incluso dañarla.
- Si se expone el telémetro láser Nikon a cambios de temperatura repentinos, puede condensarse agua en las superficies de las lentes. No utilice el producto hasta que la condensación se haya evaporado.

## CUIDADO Y MANTENIMIENTO

### Lentes

- Limpie el polvo de la superficie de la lente con un cepillo sin aceite.
- Al eliminar manchas o residuos como marcas de dedos de la superficie de las lentes, límpielas muy suavemente con un paño de algodón suave y limpio o con un paño de limpieza de lentes de calidad sin aceite. Utilice una pequeña cantidad de alcohol puro (no desnaturalizado) para limpiar las manchas resistentes. No utilice trapos de terciopelo ni papel tisú común dado que pueden rayar las lentes. Si se ha utilizado un paño para limpiar el cuerpo no debe usarse para la superficie de la lente.

### Cuerpo principal

- Limpie la superficie del cuerpo con un paño suave y limpio después de eliminar suavemente el pelo con un soplador\*. No utilice benceno, disolvente ni otros limpiadores con disolventes orgánicos.

\* Un soplador es un equipo de para limpieza de goma que sopla aire por una boquilla.

## Almacenamiento

- En caso de humedad elevada puede aparecer condensación de agua o moho sobre la superficie de las lentes. Por tanto, guarde el telémetro láser Nikon en un lugar fresco y seco. Después de usarlo en un día lluvioso o por la noche, séquelo a temperatura ambiente y guárdelo en un lugar fresco y seco.

### Es Símbolo para recogida separada aplicable en países Europeos



Este símbolo indica que esta batería se recogerá por separado. Lo siguiente sólo se aplicará a usuarios en países europeos.

- Esta batería ha sido designada para su recogida en un punto de recogida apropiado. No la tire como desecho doméstico.
- Para más información, contacte con el vendedor o autoridades locales a cargo de la gestión de residuos.

### Es Símbolo para recogida separada aplicable en países Europeos



Este símbolo indica que este producto se recogerá por separado. Lo siguiente sólo se aplicará a usuarios en países europeos.

- Este producto ha sido designada para su recogida en un punto de recogida apropiado. No la tire como desecho doméstico.
- Para más información, contacte con el vendedor o autoridades locales a cargo de la gestión de residuos.

En

Es

Fr

Pt

## Características clave

- En** • Gama de medición: 5-500 metros/6-550 yardas
- Es** • Visor de alta calidad de 6x con recubrimiento multicapa
- Fr** • Se utiliza el modo de prioridad al sujeto más lejano
- Pt** • La pulsación mantenida del botón POWER ON/ Measurement (encendido/medición) habilita la función de medición continua
- Apagado automático (después de aprox. 8 s sin utilizar)
- Predeterminación a los ajustes "Usados en último lugar"
- A prueba de lluvia — Grado de protección equivalente a JIS/IEC de clase 4 (IPX4)
- Láser invisible/Seguro para la vista de clase 1M según EN/IEC

**El telémetro láser Nikon utiliza un haz láser invisible para realizar la medición. Mide el tiempo que tarda el haz láser en ir desde el telémetro al objetivo y volver. La reflectividad láser y los resultados de medición pueden variar en función de las condiciones climáticas y ambientales, así como del color, acabado superficial, tamaño, forma y otras características del sujeto.**

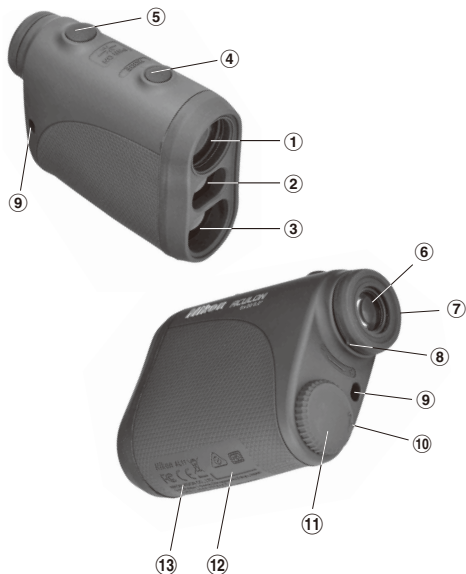
### Las condiciones siguientes facilitan la medición:

- Tiempo nublado
- Sujeto de colores brillantes
- Sujeto con superficie muy reflectantes
- Sujeto de gran tamaño
- Cuando el ángulo de incidencia del láser es cercano a 90 grados

### La medición puede resultar imprecisa o fallar en los casos siguientes:

- Sujeto con una superficie reflectante pequeña o delgada
- Sujeto con una superficie reflectante difusora
- Sujeto que no refleja el haz láser hacia el Rangefinder
- Sujeto con una superficie totalmente reflectante (vidrio, espejo, etc.)
- Sujeto negro
- Sujeto con una superficie escalonada
- Nieve, lluvia o niebla
- Sujeto medido a través de vidrio
- Superficie reflectante medida en dirección diagonal
- Sujeto en movimiento o vibrante
- Obstáculo interpuesto delante del sujeto
- Al medir la superficie del agua

## Nomenclatura/Componentes



- ① Objetivo monocular
- ② Abertura para emisión láser
- ③ Abertura del detector láser
- ④ Botón MODE
- ⑤ Botón POWER ON/Measurement (encendido/medición)
- ⑥ Ocular monocular de 6x
- ⑦ Ojera/Aro de ajuste de dioptrías
- ⑧ Índice de dioptrías
- ⑨ Argolla para correa
- ⑩ Indicación "Abierta" de la tapa del compartimento de la batería
- ⑪ Tapa del compartimento de la batería
- ⑫ Etiqueta de número de producto
- ⑬ Indicación informativa de la FDA

**Nikon** AL11



NIKON VISION CO., LTD.

3-25, Futaba 1-chome, Shinagawa-ku, Tokyo, Japan

CLASS I LASER PRODUCT

THIS PRODUCT COMPLIES WITH 21CFR

1040.10 AND 1040.11

Made in China

### Componentes

Cuerpo ..... x1	Cinta de cuello ..... x1
Caja flexible ..... x1	Batería de litio (CR2) .... x1

En

Es

Fr

Pt

## Inserción y cambio de la batería

**En** • **Tipo de batería:** Batería de litio CR2 de 3 V

**Es** • **Indicadores de la carga restante de la batería**

**Fr** \* La marca del estado de la batería en la pantalla interna le avisa cuando esta necesita ser sustituida.

**Pt**  : La batería tiene carga suficiente para usarla.

 : El nivel de la batería se está quedando bajo. Prepárese para sustituir la batería.

 : El nivel de la batería es bajo. Debe sustituirse la batería por una nueva.

 - destellante : La batería se ha agotado. El indicador destellará tres veces y el rangefinder láser se apagará automáticamente. Sustituya la batería.

### ① **Abra la tapa del compartimento de la batería**

Gire la tapa del compartimento de la batería en el sentido contrario al de las agujas del reloj y retírela. No es fácil de abrir debido a su empaquetadura de goma de impermeabilidad.

### ② **Sustituya la batería vieja por otra nueva**

Introduzca una batería nueva colocada correctamente conforme a la indicación del interior del compartimento. El polo [-] debe colocarse hacia el interior del compartimento. Si no se inserta la batería correctamente, el Nikon Laser Rangefinder no funcionará. Al sustituir la batería, retire en primer lugar la batería usada. A continuación inserte una nueva.

### ③ **Cierre la tapa del compartimento de la batería**

Gire la tapa del compartimento de la batería en el sentido de las agujas del reloj para enroscarla en el cuerpo. Puede que cueste de cerrar debido a la goma de la impermeabilización, pero siga girándola del todo hasta que haga tope. Compruebe que la tapa esté cerrada firmemente.

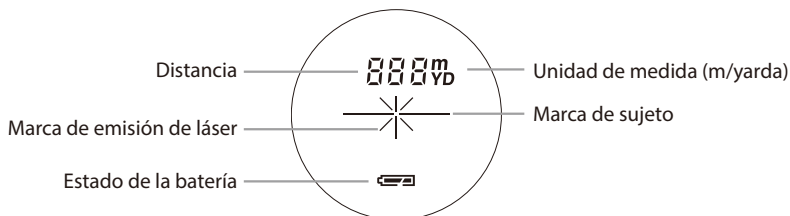
## • **Duración de la batería**

**Funcionamiento continuo:** Aprox. 8.000 ciclos (a aprox. 20°C)

Esta cifra puede variar en función de las condiciones, la temperatura y otros factores como forma del sujeto, color, etc.

\* El telémetro Nikon se entrega con una batería de litio CR2 de 3 V. No obstante, debido a la descarga eléctrica natural, su duración será probablemente menor que la antes indicada.

\* Sustituya la batería si el telémetro láser Nikon se sumerge en agua o si entra agua en el compartimento de la batería.



- ⌈ — | — ⌋ - Apunte al sujeto que desea medir. Coloque el sujeto en el centro de la marca de sujeto.
- ⌈ × ⌋ - Aparece mientras se está emitiendo el láser para una medición.  
Se mantiene presente al realizar una medición simple. Destella mientras se realizan mediciones continuas.  
No mire a las lentes del objetivo mientras aparezca esta marca.
- ⌈ : ⌋ - Se está midiendo
- ⌈ - - - ⌋ - "Medición fallida" o "No se pudo medir"

\* Normalmente, un LCD aplica una ampliación igual o menor. No obstante, el LCD de este producto se amplía con la gran ampliación del ocular. Aunque este LCD se fabricó empleando la tecnología más avanzada, es imposible eliminar totalmente el polvo. Como resultado, puede verse polvo. No obstante, no afectará a la precisión de la medición ni a la seguridad de utilización.

**En** **Es** **Fr** **Pt** **Precaución: La utilización de controles, ajustes o parámetros de procedimiento distintos de los aquí indicados puede provocar una exposición a radiaciones peligrosas.**

**1. Coloque una batería en el compartimento de la batería (consulte "Inserción y cambio de la batería")**

**2. Ajuste de dioptrías**

Ajuste las dioptrías para conseguir una imagen clara en el LCD.

En primer lugar gire el aro de ajuste de dioptrías en sentido contrario al de las agujas del reloj hasta que llegue a su tope. Después encienda el aparato para activar el LCD cuando mire a través del telémetro láser Nikon. Gire el aro de ajuste de dioptrías en el sentido de las agujas del reloj hasta que la pantalla quede enfocada.

Si no ajusta las dioptrías a su graduación, quizás no pueda enfocar correctamente su sujeto.

**3. Medición**

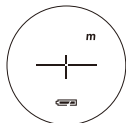
Antes de medir asegúrese de confirmar el ajuste de la unidad.

1. Encienda el aparato (confirme que la pantalla interna está encendida (Apagado automático después de aprox. 8 s sin utilizar)



Inmediatamente después del encendido. (inicializando)

2. Apunte al sujeto. Coloque el sujeto en el centro de la retícula.



Modo de espera.



Apuntar al sujeto.

3. Presione el botón POWER ON/Masurement una vez para iniciar una medición única. Si mantiene el botón pulsado será posible una medición continua durante un máximo de unos 20 s.



Medición

4. Durante la medición, segundos la pantalla interna muestra alternativamente los indicadores "distancia" y "no se pudo medir" (destella la marca de radiación láser).



Medición fallida o no se pudo medir la distancia.



Muestra la cifra medida (Sujeto 1)



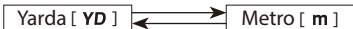
Muestra la cifra medida (Sujeto 2)

5. Después de la medición se visualizan los resultados medidos durante aprox. 8 s y después se apaga la corriente. Si presiona el botón POWER ON/Masurement con el aparato encendido (con la pantalla interna encendida), se inicia otra medición.



## Unidades de indicación de la distancia

Los resultados de medición se indican en yardas/metros (el ajuste predeterminado de fábrica son las yardas).



1. Encienda el aparato (confirme que la pantalla interna está encendida).
2. Mantenga pulsado el botón MODE durante más de dos segundos. Cuando la unidad de visualización haya cambiado, suelte el botón.
3. Una vez fijada la unidad, los resultados se convertirán y visualizarán en la unidad de indicación de la distancia seleccionada.

## Otros

Este dispositivo cumple con la Parte 15 de las Reglas de la FCC. El funcionamiento está sujeto a las dos condiciones siguientes:

- (1) Este dispositivo no puede provocar interferencias peligrosas, y
- (2) Este dispositivo debe aceptar cualquier interferencia recibida, incluidas las interferencias que pueden provocar un funcionamiento no deseado.

Este telémetro láser Nikon es un telémetro básico. Sus resultados no se pueden utilizar como prueba oficial.

Este equipo ha sido evaluado y cumple con los límites para un dispositivo digital de clase B, de conformidad con la Parte 15 de las reglas de la FCC y con la directiva sobre CEM de la UE. Estos límites están diseñados para proporcionar una protección razonable contra la interferencia perjudicial en una instalación residencial. Este equipo genera, usa y puede irradiar energía de frecuencia de radio y, si no se instala y usa de conformidad con las instrucciones, podría causar una interferencia perjudicial a las comunicaciones de radio. Sin embargo, no hay garantía de que la interferencia no ocurra en una instalación particular. Si el equipo provoca perturbaciones en la recepción de radio o televisión, lo que se puede comprobar apagando y volviendo a encender el equipo, el usuario debería intentar corregir la interferencia mediante una o más de las medidas siguientes:

- Reoriente o reubique la antena receptora.
- Aumente la separación entre el equipo y el receptor.
- Consulte al distribuidor o a un técnico de televisión/radio experimentado.

Este aparato digital de Clase B cumple todos los requisitos de las Regulaciones Canadienses sobre Equipos que Provocan Interferencias.

## Modo de prioridad al sujeto

Este telémetro láser incorpora un Sistema de Prioridad al sujeto más lejano. Cuando mide sujetos que se superponen, este equipo muestra la distancia hasta el sujeto que está más lejos.

En

Es

Fr

Pt

## Especificaciones

<b>En</b>	Sistema de medición	
<b>Es</b>	Gama de medición	5-500 metros/6-550 yardas
<b>Fr</b>	Visualización de distancias (incremento)	Cada 1 metro/yarda
<b>Pt</b>	Sistema óptico	
	Tipo	Monocular de pared prismática
	Aumento (x)	6
	Diámetro efectivo del objetivo (mm)	20
	Campo de visión angular (real) (°)	6,0
	Distancia aprox. de la pupila de salida al ocular (mm)	16,7
	Pupila de salida (mm)	3,3
	Ajuste de dioptrías	$\pm 4 \text{ m}^{-1}$
	Otros	
	Temperatura de funcionamiento (°C)	-10 — +50
	Fuente de alimentación	Batería de litio CR2 x 1 (3 Vcc)
	Dimensiones (L x Al x An) (mm)	91 x 73 x 37
	Peso (g)	Aprox. 125 (sin batería)
	Estructura	Grado de protección equivalente a JIS/IEC de clase 4 (IPX4) (bajo nuestras condiciones de ensayo)
	Seguridad	Producto láser de clase 1M (EN/IEC60825-1:2007) Producto láser de clase I (FDA/21 CFR Part 1040.10:1985)
	CEM	FCC Parte 15 Sub-parte B clase B, UE: directiva CEM, AS/NZS, VCCI clase B
	Medio ambiente	RoHS, WEEE

Láser	
Clase	EN/IEC Clase 1M
Longitud de onda (nm)	905
Duración del impulso (ns)	20
Potencia (W)	10
Divergencia del haz (mrad)	Vertical: 3,8, Horizontal: 0,17
Humedad de funcionamiento (%HR)	80 (sin condensación)

### Prestaciones de resistencia al agua:

Este telémetro láser presenta un grado de protección equivalente a JIS/IEC de clase 4 (IPX4) (bajo nuestras condiciones de ensayo). Esta clasificación no garantiza que la unidad no sufra ningún daño o problema bajo cualquier situación. Al utilizarla, respete lo siguiente:

- La unidad no es una estructura sellada, por lo que no debe utilizarse ni mantenerse bajo agua en circulación.
- Si aparece humedad en las piezas móviles de la unidad, deje de usarla y séquela.
- Si se sumerge la unidad en agua, puede entrar agua en el dispositivo. Si entra agua, elimine toda la humedad y deje pasar un tiempo suficiente para que se seque.

## Solución de problemas/Reparación

En

Es

Fr

Pt

Si su telémetro láser Nikon precisara alguna reparación, póngase en contacto con su distribuidor local para saber a dónde debe enviarlo. Antes de hacerlo, le aconsejamos que consulte la Tabla de solución de problemas siguiente.

Síntoma	Puntos que debe comprobar
La unidad no se enciende - El LCD no se ilumina	<ul style="list-style-type: none"><li>• Presione el botón POWER.</li><li>• Compruebe la inserción de la batería</li><li>• Sustituya la batería si es necesario.</li></ul>
No se puede obtener el rango de medición	<ul style="list-style-type: none"><li>• Compruebe que no hay nada, como su mano o dedo, que bloquee la abertura de emisión del láser ni el detector del láser.</li><li>• Compruebe que la abertura de emisión del láser y el detector del láser estén limpios. Límpielas si es necesario.</li><li>• Compruebe que la forma y el estado del sujeto son adecuados para reflejar el haz láser.</li><li>• Sustituya la batería.</li></ul>
Aparece [- -] ("No se puede medir")	<ul style="list-style-type: none"><li>• Asegúrese de mantener la unidad fija mientras está midiendo.</li><li>• Compruebe que el sujeto está dentro del rango de medición.</li></ul>
No se puede medir un sujeto más cercano	<ul style="list-style-type: none"><li>• Compruebe que no hay nada, como hojas o hierba, entre el telémetro láser Nikon y el sujeto.</li></ul>
No puede medirse un objeto más allá de determinada distancia	<ul style="list-style-type: none"><li>• Compruebe que no hay nada, como hojas o hierba, entre el telémetro láser Nikon y el sujeto.</li></ul>

<b>Síntoma</b>	<b>Puntos que debe comprobar</b>
El resultado de la medición es inestable	<ul style="list-style-type: none"> <li>• Sustituya la batería.</li> <li>• Compruebe que la forma y el estado del sujeto son adecuados para reflejar el haz láser.</li> <li>• Asegúrese de mantener la unidad fija mientras está midiendo.</li> <li>• Compruebe que no hay nada, como hojas o hierba, entre el telémetro láser Nikon y el sujeto.</li> </ul>
Se visualiza un resultado incorrecto	<ul style="list-style-type: none"> <li>• Sustituya la batería.</li> <li>• Compruebe que la forma y el estado del sujeto son adecuados para reflejar el haz láser.</li> <li>• Compruebe que no hay nada, como hojas o hierba, entre el telémetro láser Nikon y el sujeto.</li> </ul>

Si persisten los problemas después de consultar la Tabla de solución de problemas, póngase en contacto con su distribuidor local para que revise/repare el telémetro láser Nikon. No deje que nadie distinto del representante oficial del fabricante del producto revise ni repare el telémetro láser Nikon. No respetar esta indicación podría provocar lesiones o dañar el producto.

## Français

### SOMMAIRE

Précautions avant utilisation .....	35-38
Caractéristiques principales .....	39
Nomenclature/Composition .....	40
Insérer et remplacer la pile .....	41
Écran interne .....	42
Mesure .....	43
Unités d'affichage de distance/Mode priorité à la cible/Autres .....	44
Spécifications .....	45-46
Guide de dépiage des pannes/ Réparations .....	47-48

## Précautions avant utilisation

Merci d'avoir choisi le télémètre laser Nikon ACULON.

En

Es

Fr

Pt

**L'emploi de commandes, réglages ou procédures autres que ceux spécifiés dans ce manuel peut entraîner une exposition à des rayonnements dangereux.**

- Avant d'utiliser l'appareil, lisez attentivement les « Précautions avant utilisation » et les manuel d'utilisation (ce manuel).
- Conservez ces manuel à portée de main pour référence.
- Ne démontez pas et ne réparez pas cet appareil vous-même, car ceci pourrait engendrer un problème sérieux.

La garantie constructeur ne s'applique pas aux produits qui ont été démontés ou réparés.

- Les spécifications et la conception sont sujettes à modification sans préavis.
- Aucune reproduction totale ou partielle de ce manuel, sous quelque forme que ce soit, (à l'exception de brèves citations dans des revues ou magazines) ne peut être faite sans autorisation écrite de NIKON VISION CO., LTD.
- NIKON VISION CO., LTD. se réserve le droit de modifier le contenu de ces manuels à tout moment sans préavis.

**En** Respectez à la lettre les instructions suivantes pour une utilisation adéquate de votre matériel et pour éviter tout risque d'accident. Avant d'utiliser l'appareil, lisez attentivement les « Précautions avant utilisation » et le mode d'emploi qui accompagnent l'appareil. Conservez ces instructions à portée de main pour référence.

### **⚠ ATTENTION**

Avertit du fait qu'un emploi incorrect en ignorant les points ci-dessous peut se traduire par la mort ou de sérieuses blessures.

### **⚠ PRÉCAUTION**

Avertit du fait qu'un emploi incorrect en ignorant les points ci-dessous peut se traduire par de sérieuses blessures ou des dégâts matériels.

## **PRÉCAUTIONS DE SÉCURITÉ (Laser)**

Le télémètre laser Nikon comporte un faisceau laser invisible. Veuillez à respecter ce qui suit :

### **⚠ Attention**

- N'appuyez pas sur le bouton POWER ON/Mesure pendant que vous regardez l'optique à partir du côté objectif. Sinon, vos yeux pourraient être affectés ou endommagés.
- Ne visez pas les yeux.
- Ne pointez pas le faisceau laser vers d'autres personnes.
- N'utilisez pas l'appareil en même temps que d'autres instruments d'optique tels que des lentilles ou des jumelles. L'utilisation d'un instrument d'optique en même temps que le Télémètre Laser Nikon augmente les risques de blessures oculaires.
- Si vous n'effectuez pas de mesures, ne placez pas vos doigts à proximité du bouton POWER ON/Mesure pour éviter d'allumer le faisceau laser par accident.
- Si vous ne l'utilisez pas pendant une longue période de temps, veuillez retirer la pile.

- Ne pas démonter/modifier/réparer le télémètre laser Nikon. Le laser émetteur pourrait être nocif pour votre santé. La garantie constructeur ne s'applique pas aux produits qui ont été démontés/modifiés/réparés.
- Ne laissez pas le télémètre laser Nikon à la portée des enfants.
- Si le couvercle du boîtier du télémètre laser est endommagé, ou s'il émet un bruit étrange en raison d'une chute ou d'une autre cause, retirez immédiatement la pile et cessez d'utiliser l'appareil.

## PRÉCAUTIONS DE SÉCURITÉ (Objectif monoculaire)

Le système optique du Télémètre Laser Nikon comporte un objectif monoculaire pour viser la cible.

Veillez à respecter ce qui suit :

### ⚠ Attention

- Ne regardez jamais directement le soleil, une lumière intense ou le faisceau laser, avec le télémètre laser Nikon.

### ⚠ Précautions

- Si vous n'utilisez pas le télémètre laser Nikon, n'appuyez pas sur le bouton POWER ON/Mesure.
- N'utilisez pas l'appareil en marchant. Vous pourriez causer des blessures ou une panne en rencontrant un obstacle, en touchant d'autres personnes, en tombant ou par le biais d'autres types d'accidents.
- Ne le balancez pas par la bandoulière. Vous pourriez toucher et blesser d'autres personnes.
- Ne posez pas l'appareil dans des endroits instables. Ceci pourrait causer des chutes et créer des blessures ou des pannes.

- Ne laissez pas le sac en plastique qui a servi à emballer ce produit ou d'autres petites pièces à la portée des enfants.
- Empêchez les enfants de porter à la bouche les œillets en caoutchouc ou d'autre petites pièces, etc. Si des enfants avaient ce type de pièces, consultez immédiatement un médecin.
- Si vous utilisez l'œillet en caoutchouc pendant longtemps, ils peuvent provoquer une irritation cutanée. Arrêtez d'utiliser l'appareil et consultez immédiatement un médecin si cela se produisait.
- Lorsque vous transportez le Télémètre Laser Nikon, veillez à le ranger dans sa housse.
- Si votre Télémètre Laser Nikon ne fonctionne pas correctement, cessez immédiatement de l'utiliser et consultez votre revendeur local pour déterminer la destination de réparation.

## PRECAUTIONS DE SECURITE (Pile au lithium)

Si elle n'est pas convenablement manipulée, la pile peut se rompre et fuir, provoquant la corrosion de l'appareil et des taches sur les vêtements.

Veillez à respecter ce qui suit :

- Installez la pile manière à ce que les pôles + et - soient correctement positionnés.
- La pile doit être retirée quand elle est déchargée et suite à toute longue période de non-utilisation.
- Ne court-circuitiez pas les contacts du compartiment à pile.
- Ne la transportez pas à proximité de clefs ou de pièces dans une poche ou un sac, il pourrait y avoir un court-circuit et une surchauffe.
- N'exposez pas la pile à l'eau ou aux flammes. Ne démontez jamais la pile.
- Ne rechargez jamais le pile au lithium
- Si du liquide provenant d'une pile endommagées venait à entrer en contact avec un vêtement ou de la peau, rincez immédiatement à l'eau claire. Si du liquide provenant d'une pile endommagées entrait en contact avec les yeux, rincez immédiatement à l'eau claire et consultez un médecin.
- Lorsque vous jetez la pile, conformez-vous aux lois de recyclage locales.

En

Es

Fr

Pt

### PRECAUTIONS DE SECURITE

#### ⚠ Précautions

- Le télémètre laser Nikon n'est pas destiné à une utilisation sous-marine.
- La pluie, l'eau, le sable et la boue doivent être retirés de la surface du boîtier du télémètre dès que possible au moyen d'un chiffon doux et propre.
- Ne laissez pas le Le télémètre laser dans une voiture par temps chaud ou ensoleillé, ou près d'un appareil produisant de la chaleur. Cela pourrait l'endommager ou affecter son fonctionnement.
- Ne laissez pas le télémètre Laser Nikon à la lumière directe du soleil. Les rayons UV et la chaleur excessive peuvent affecter son fonctionnement, voire l'endommager.
- En cas de changement de température brutal, de l'eau peut se condenser sur la surface des lentilles du Télémètre Laser Nikon. N'utilisez pas l'appareil tant que la condensation n'a pas disparu.

### SOINS ET ENTRETIEN

#### Lentilles

- Servez-vous d'un pinceau doux non gras pour dépeussier la surface des lentilles.
- Pour l'élimination de taches ou saletés comme les traces de doigts de la surface des lentilles, essuyez doucement avec un chiffon doux et propre ou du papier pour lentilles non gras de bonne qualité. Un peu d'alcool pur (non dénaturé) peut être utilisé pour éliminer les taches tenaces. L'emploi de velours ou d'un mouchoir en papier n'est pas recommandé, parce qu'ils pourraient rayer la surface des lentilles. Un chiffon utilisé pour nettoyer le boîtier ne doit pas être réutilisé sur la surface des lentilles.

#### Boîtier principal

- Nettoyez le corps avec un chiffon doux et propre après avoir retiré soigneusement les poussières avec un soufflet\*. N'utilisez ni benzène, ni diluant, ni d'autres produits nettoyants contenant des agents organiques.
- \* Un soufflet est un élément de nettoyage en caoutchouc qui souffle de l'air par une petite buse.

### Stockage

- De la condensation ou des moisissures peuvent se former sur la surface des lentilles en cas de forte humidité. Pour cette raison, rangez le télémètre laser Nikon dans un endroit frais et sec. Après utilisation un jour de pluie ou pendant la nuit, laissez le sécher entièrement à température ambiante avant de le ranger dans un endroit frais et sec.

#### Fr Symbole pour la collecte sélective applicable aux pays européens



Ce symbole indique que cette batterie doit être collectée séparément. Les mesures suivantes concernent uniquement les utilisateurs européens.

- Cette batterie doit être jetée séparément dans un point de collecte approprié. Ne la jetez pas dans une poubelle réservée aux ordures ménagères.
- Pour plus d'informations, contactez le détaillant ou les autorités locales responsables de la gestion des ordures.

#### Fr Symbole pour la collecte sélective applicable aux pays européens



Ce symbole indique que ce produit doit être collecté séparément. Les mesures suivantes concernent uniquement les utilisateurs européens.

- Ce produit doit être jeté séparément dans un point de collecte approprié. Ne la jetez pas dans une poubelle réservée aux ordures ménagères.
- Pour plus d'informations, contactez le détaillant ou les autorités locales responsables de la gestion des ordures.

## Caractéristiques principales

- Plage de mesure: 5-500 mètres/6-550 yards
- Télémètre 6x de qualité supérieure avec traitements multicouches
- Le mode de priorité à la cible distance est employé.
- Une pression continue sur le bouton POWER ON/ Mesure active la fonction de mesure en continu
- Arrêt automatique (après environ 8 secondes de nonutilisation)
- Réglage par défaut sur « Dernière utilisation »
- Imperméable — Équivalent à une protection de classe 4 JIS/IEC (IPX4)
- Laser EN/IEC de Classe 1M, invisible et sans danger pour les yeux

**Le télémètre laser Nikon comporte un faisceau laser invisible. Il mesure la durée d'un aller-retour du faisceau laser de l'appareil à la cible. La portée maximale de l'appareil dépend des conditions environnementales et climatiques, de la couleur, de la finition de surface, de la taille, de la forme et d'autres caractéristiques propres à la cible.**

### Les conditions suivantes facilitent les mesures :

- Temps couvert
- Cible de couleur vive
- Cible à surface très réfléchissante
- Cible de grande taille
- Angle d'incidence du laser sur la cible proche de 90 degrés

### Les mesures prises dans les cas suivants peuvent s'avérer imprécises ou erronées :

- La cible a une surface réfléchissante étroite ou de petite taille
- La cible a une surface réfléchissante diffuse
- La cible ne réfléchit pas le rayon laser au télémètre
- La cible a une surface totalement réfléchissante (verre, miroir, etc...)
- Cible noire
- La cible a une surface étagée
- Temps de neige, pluie ou brouillard
- La cible est visée à travers un verre
- La surface réfléchissante est visée de biais
- La cible bouge ou vibre
- Un obstacle se déplace devant la cible
- La cible est un plan d'eau

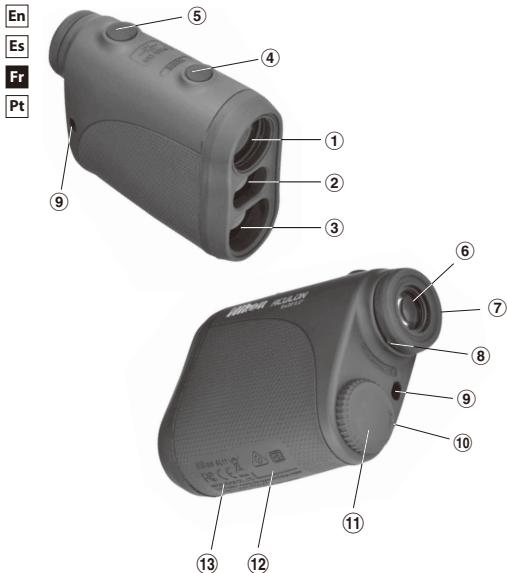
En

Es

Fr

Pt

## Nomenclature/Composition



- ① Objectif monoculaire
- ② Ouverture de l'émetteur laser
- ③ Ouverture du détecteur laser
- ④ Bouton MODE
- ⑤ Bouton POWER ON/Mesure
- ⑥ Oculaire monoculaire 6x
- ⑦ Œillette/bague de réglage dioptrique
- ⑧ Index dioptrique
- ⑨ Œillet pour lanière
- ⑩ Indication « Ouvert » pour le couvercle du logement des piles
- ⑪ Couvercle du logement des piles
- ⑫ Etiquette de numéro de produit
- ⑬ Indications pour la FDA

**Nikon AL11**



NIKON VISION CO., LTD.

3-25, Futaba 1-chome, Shinagawa-ku, Tokyo, Japan

CLASS I LASER PRODUCT

THIS PRODUCT COMPLIES WITH 21CFR

1040.10 AND 1040.11

Made in China

### Composition

Boîtier .....	x1	Lanière .....	x1
Housse .....	x1	Pile au lithium (CR2) ....	x1

• **Type de pile** : Pile 3V CR2 au lithium

• **Indicateurs de charge de pile**

\* La marque d'état de la pile indique la nécessité de remplacer la pile sur l'écran interne.



: Charge suffisante pour le fonctionnement.



: Le niveau de charge de la pile devient faible. Préparez-vous à remplacer la pile.



: Le niveau de charge de la pile est faible. La pile doit être remplacée.



- clignotant : La pile est usée. L'indicateur clignote trois fois puis le télémètre laser s'éteint automatiquement. Veuillez remplacer la pile.

### ① **Ouvrez le couvercle du logement de la pile**

Tournez le couvercle du compartiment de la pile dans le sens inverse des aiguilles d'une montre et retirez-le. Il peut être difficile à ouvrir à cause du joint d'étanchéité.

### ② **Remplacez la pile usagée par une pile neuve**

Insérez une nouvelle pile et orientez-la selon le sens indiqué dans le compartiment. Le pôle [-] doit être positionné vers l'intérieur du compartiment. Si la pile n'est pas positionnée correctement, le télémètre laser Nikon ne fonctionnera pas. Pour remplacer la pile, sortez d'abord la pile usagée. Puis, insérez la nouvelle.

### ③ **Fermez le couvercle du logement de la pile**

Tournez le couvercle du compartiment de la pile dans le sens des aiguilles d'une montre pour la visser dans le boîtier. Il peut être difficile à fermer à cause du joint d'étanchéité, mais continuez à le tourner jusqu'au bout. Vérifiez que le compartiment est bien fermé.

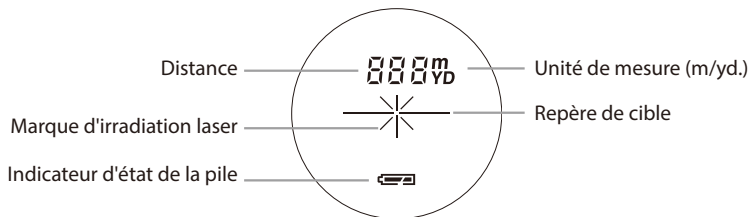
• **Durée de vie de la pile**

**Fonctionnement continu** : environ 8.000 fois (à environ 20 °C)

Cette valeur peut varier selon la température et d'autres facteurs tels que forme, couleur, etc. de la cible.

\* Le Télémètre Laser Nikon est livré avec une pile 3V CR2 au lithium. Toutefois, à cause de la décharge électrique naturelle, la durée de vie de la pile sera probablement plus courte que la valeur ci-dessus.

\* Remplacez la pile si le Télémètre Laser Nikon était immergé ou si de l'eau pénétrait dans le logement de la pile.



- 【+】 - Visez la cible que vous souhaitez mesurer. Positionnez la cible au centre de la marque cible.
- 【×】 - S'affiche lorsque le laser est utilisé pour une mesure.  
Reste affiché pendant une mesure unique. Clignote lors de mesures en continu.  
Ne regardez pas dans l'objectif lorsque ce symbole est affiché.
- 【∴】 - Mesure en cours
- 【---】 - « Échec de la mesure » ou « mesure de distance impossible »

\* Un ACL emploie généralement un grossissement égal ou inférieur. Cependant, le ACL de ce produit est grossit par le grossissement de l'oculaire. Bien que l'écran ACL ait été fabriqué grâce à la technologie la plus avancée, il est impossible d'éliminer toutes les poussières. Et il est donc possible d'observer de la poussière. Cependant, elle n'affectera pas la précision de la mesure ou la sécurité pendant la mesure.

**Attention — L'emploi de commandes, réglages ou performances de procédure autres que ceux spécifiés dans ce manuel peut entraîner une exposition à des rayonnements dangereux.**

**1. Installez une pile dans le logement prévu à cet effet. (Reportez-vous à la section « Insérer et remplacer la pile »).**

## 2. Correction dioptrique

Réglez la correction dioptrique pour obtenir une image nette sur l'écran ACL.

Tournez d'abord la bague de réglage dioptrique dans le sens antihoraire jusqu'à ce qu'elle soit totalement en butée. Ensuite, mettez l'appareil sous tension pour activer l'écran ACL quand vous regardez dans le Télémètre Laser Nikon. Tournez la bague de réglage dioptrique dans le sens horaire jusqu'à ce que l'affichage soit net.

Si la correction dioptrique ne correspond pas à votre vue, vous aurez des difficultés à effectuer la mise au point sur le sujet.

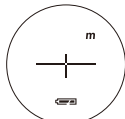
## 3. Mesure

Avant de prendre les mesures, veillez à confirmer les paramètres du dispositif.

1. Mettez l'appareil sous tension (Vérifiez que l'écran interne est allumé.) (Arrêt automatique après environ 8 secondes de non-utilisation.)



Immédiatement après la mise sous tension. (initialisation)



En veille.



Cible visée.

3. Appuyez une fois sur le bouton POWER ON/Mesure pour prendre une mesure unique. En maintenant le bouton enfoncé, vous pourrez prendre une mesure continue jusqu'à environ 20 secondes.



Mesure en cours.

4. Pendant la mesure, l'affichage interne affiche les témoins clignotants « distance » ou « échec de la mesure ». (Le signe de rayonnement laser clignote lors de la prise de mesure).



Échec de la mesure ou mesure de distance impossible.



Affiche les résultats mesurés. (Cible 1)



Affiche les résultats mesurés. (Cible 2)

5. Une fois la mesure terminée, les résultats mesurés s'affichent pendant environ 8 secondes environ, puis l'appareil se met hors tension. Si vous appuyez sur le bouton POWER ON/Mesure lors du démarrage (pendant que l'écran interne est éclairé), une autre mesure unique s'initie.



## Unités d'affichage de distance

**En** Les résultats de mesure sont affichés en yards/mètres.  
(Le réglage par défaut est le yard.)

**Es**

**Fr**

**Pt**

Yard [ YD ]



Mètre [ m ]

1. Mettez l'appareil sous tension (vérifiez que l'écran interne est allumé).
2. Maintenez la pression d'un doigt sur le bouton MODE pendant plus de 2 secondes. Lorsque la nouvelle unité d'affichage est adoptée, relâchez la pression sur le bouton.
3. Après adoption d'une unité d'affichage, les résultats sont convertis et affichés dans l'unité choisie.

## Autres

Cet appareil est conforme à la Partie 15 des Règles FCC. L'utilisation de cet appareil est soumise aux conditions suivantes :

- (1) Cet appareil ne doit pas provoquer des brouillages nuisibles et
- (2) Cet appareil doit s'accommoder des brouillages auxquels il est soumis, y compris les brouillages qui peuvent provoquer des anomalies de fonctionnement.

Après essais, les caractéristiques de cet appareil ont été jugées comme entrant dans les limites des dispositifs numériques de la classe B, telles que décrites à la Partie 15 des Règles FCC et de la directive EMC de l'UE. Ces limites ont été fixées dans le but d'apporter une protection raisonnable contre les brouillages des appareils domestiques. Cet appareil produit, utilise et peut émettre des fréquences radioélectriques ; s'il n'est pas installé conformément aux instructions, ces ondes peuvent perturber les radiocommunications. Toutefois, même en cas d'installation conforme aux instructions, il peut arriver qu'un brouillage se produise en raison des conditions particulières d'installation. Si cet appareil perturbe la réception des émissions de radio ou de télévision, ce dont on peut s'assurer en le mettant sous tension puis hors tension, l'utilisateur est invité à prendre les mesures correctives suivantes :

- Modifier l'orientation de l'antenne de réception ou changer son emplacement.
- Augmenter la distance séparant l'appareil du récepteur de radio ou de télévision.
- Consulter le distributeur ou un technicien de radio/télévision expérimenté.

Cet appareil numérique de la classe B est conforme à la norme canadienne relative aux équipements susceptibles de provoquer des brouillages.

## Mode priorité à la cible

Ce télémètre Laser comporte un système de Priorité à la cible distante. Lorsque vous mesurez des sujets superposés, cet appareil indique la distance au sujet le plus éloigné.

Ce Télémètre Laser Nikon est un télémètre de base. Ses résultats ne peuvent pas être utilisés comme preuve officielle.

## Spécifications

Système de mesure	
Plage de mesure	5-500 mètres/6-550 yards
Affichage de distance (incrément)	Chaque 1 mètre/yard
Système optique	
Type	Monoculaire à prisme en toit
Grossissement (x)	6
Diamètre effectif de la lentille de l'objectif (mm)	20
Champ angulaire (réel) (°)	6,0
Dégagement oculaire (mm)	16,7
Pupille de sortie (mm)	3,3
Correction dioptrique	$\pm 4 \text{ m}^{-1}$
Autres	
Température de fonctionnement (°C)	-10 — +50
Alimentation	1 pile CR2 au lithium, 3V CC,
Dimensions (L x H x l) (mm)	91 x 73 x 37
Poids (g)	Environ 125 (sans la pile)
Structure	Équivalent à une protection de classe 4 JIS/IEC (IPX4)(dans nos conditions de test)
Sécurité	Produit laser de classe 1M (EN/IEC60825-1:2007) Produit laser de classe I (FDA/21 CFR Part 1040.10:1985)
EMC	FCC Chapitre 15 Sous-partie B classe B, directive EU:EMC, AS/NZS, VCCI classe B
Environnement	RoHS, WEEE

En

Es

Fr

Pt

## Spécifications

En  
Es  
Fr  
Pt

Laser	
Classe	Classe 1 M EN/IEC
Longueur d'onde (nm)	905
Durée d'une impulsion (ns)	20
Puissance de sortie (W)	10
Divergence du faisceau (mrad)	Verticale: 3,8, Horizontale: 0,17
Humidité ambiante de fonctionnement (%HR)	80 (sans condensation)

### Performances de résistance à l'humidité:

Ce télémètre laser Nikon correspond à une classe 4 de protection JIS/IEC (IPX4) (selon nos conditions de test). Ce classement ne garantit pas que le produit ne connaîtra pas de dommages ou de problèmes, quelles que soient les conditions. Veuillez suivre les indications suivantes lors de son utilisation:

- L'appareil n'est pas une structure étanche. Il ne doit pas être placé ou utilisé dans l'eau.
- En cas d'humidité sur les pièces mobiles de l'appareil, arrêtez son utilisation et essuyez-le.
- L'eau peut pénétrer dans l'appareil si il est immergé. Si de l'eau retraits, essuyez toute trace d'humidité et laissez sécher l'appareil.

## Guide de dépistage des pannes/Réparations

Si le Télémètre Laser Nikon doit être réparé, consultez le revendeur local qui vous indiquera où l'envoyer pour réparation. Toutefois, avant toute chose, prenez connaissance du tableau qui suit.



Symptômes	Points à vérifier
L'appareil ne se met pas sous tension — l'écran ACL ne s'éclaire pas	<ul style="list-style-type: none"><li>• Appuyez sur le bouton POWER.</li><li>• Vérifiez l'installation de la pile</li><li>• Remplacez la pile si nécessaire.</li></ul>
La distance à la cible ne peut pas être obtenue	<ul style="list-style-type: none"><li>• Veillez à ce qu'aucun obstacle (votre main ou un doigt) n'empêche la propagation du faisceau laser ni la réception par le détecteur.</li><li>• Assurez-vous que la fenêtre d'émission laser et le détecteur soient propres. Le cas échéant, nettoyez-les.</li><li>• Assurez-vous que la forme et l'état de la cible permettent la réflexion du laser.</li><li>• Remplacez la pile.</li></ul>
L'indication [- -] ("Mesure impossible") apparaît	<ul style="list-style-type: none"><li>• Veillez à ce que l'appareil soit stable pendant la mesure.</li><li>• Assurez-vous que la cible est dans les limites de portée de l'appareil.</li></ul>
Les distances les plus proches ne peuvent pas être mesurées.	<ul style="list-style-type: none"><li>• Veillez à ce qu'aucun obstacle (feuilles, herbes, etc.) ne soit placé entre Télémètre Laser Nikon et la cible.</li></ul>
Les cibles placées au-delà d'une certaine distance ne peuvent pas être mesurées.	<ul style="list-style-type: none"><li>• Veillez à ce qu'aucun obstacle (feuilles, herbes, etc.) ne soit placé entre Télémètre Laser Nikon et la cible.</li></ul>

## Guide de dépiage des pannes/Réparations

En

Es

Fr

Pt

Symptômes	Points à vérifier
Les résultats des mesures sont variables	<ul style="list-style-type: none"><li>• Remplacez la pile.</li><li>• Assurez-vous que la forme et l'état de la cible permettent la réflexion du laser.</li><li>• Veillez à ce que l'appareil soit stable pendant la mesure.</li><li>• Veillez à ce qu'aucun obstacle (feuilles, herbes, etc.) ne soit placé entre Télémètre Laser Nikon et la cible.</li></ul>
Le résultat affiché est incorrect	<ul style="list-style-type: none"><li>• Remplacez la pile.</li><li>• Assurez-vous que la forme et l'état de la cible permettent la réflexion du laser.</li><li>• Veillez à ce qu'aucun obstacle (feuilles, herbes, etc.) ne soit placé entre Télémètre Laser Nikon et la cible.</li></ul>

Si le problème persiste après avoir consulté le tableau de dépiage des pannes, prenez contact avec le revendeur pour qu'il vérifie ou répare le Télémètre Laser Nikon. Ne confiez à personne d'autre qu'un représentant agréé du fabricant, le soin de vérifier ou de réparer le Télémètre Laser Nikon. Faute de respecter cette consigne, vous vous exposez à des blessures ou à une défaillance de l'appareil.

## Português brasileiro

### CONTEÚDO

Cuidados antes do uso .....	50-53
Principais características .....	54
Nomenclatura/Composição .....	55
Inserção e troca de pilhas .....	56
Visor interno .....	57
Medição .....	58
Unidades de visualização de distância/Modo de prioridade de alvo/Outros.....	59
Especificações .....	60-61
Problemas e Soluções/Reparo .....	62-63

## Cuidados antes do uso

**En** Obrigado por comprar o Telêmetro a Laser ACULON da Nikon.

**Es**

**Fr**

**Pt**

**O uso de controles e ajustes ou a execução de procedimentos que não aqueles especificados nestas instruções podem resultar em exposição a radiações perigosas.**

- Antes de usar este produto, leia cuidadosamente os "Cuidados antes do uso" e as instruções sobre o uso correto no presente manual de instruções (esse manual).
- Mantenha este manual à mão para fácil consulta.
- Não desmonte ou repare este produto sem ajuda por um profissional, pois isto pode resultar em um problema sério.  
Um produto que foi desmontado ou reparado não está coberto pela garantia do fabricante.
- As especificações e o projeto estão sujeitos a mudanças sem aviso prévio.
- Não pode ser feita nenhuma reprodução deste manual, no todo ou em parte (exceto para breve citação em artigos ou análises críticas), sem autorização por escrito da NIKON VISION CO., LTD.
- A NIKON VISION CO., LTD. se reserve o direito de alterar o conteúdo descrito nesses manuais em qualquer altura e sem aviso prévio.

**Por favor, siga rigorosamente as orientações a seguir, para que possa usar o equipamento de forma adequada e evitar problemas potencialmente perigosos. Antes de usar este produto, leia atentamente os "Cuidados antes do uso" e as instruções sobre o uso correto, que acompanham o produto. Mantenha este manual à mão para fácil consulta.**

#### **⚠️ ADVERTÊNCIA**

Esta indicação alerta você para o fato de que qualquer uso inadequado, ignorando o conteúdo descrito neste documento, pode potencialmente resultar em morte ou lesões sérias.

#### **⚠️ CUIDADO**

Esta indicação alerta você para o fato de que qualquer uso inadequado, ignorando o conteúdo descrito neste documento, pode potencialmente resultar em lesões ou perdas materiais.

## **PRECAUÇÕES DE SEGURANÇA (Laser)**

O Telêmetro a Laser Nikon emite um raio laser invisível. Certifique-se de que observa o que segue:

### **⚠️ Advertência**

- Não pressione o botão POWER ON/ Medição enquanto estiver olhando para dentro da óptica do lado da objetiva. A falha em fazer isto é poder afetar negativamente ou danificar os olhos.
- Não dirija o raio laser para os olhos.
- Não aponte o raio às pessoas.
- Não opere a unidade com outros elementos ópticos adicionais, como lentes ou binóculos. O uso de um instrumento óptico junto com o Telêmetro a Laser Nikon aumenta o risco de danos aos olhos.
- Se não estiver a medir, mantenha os seus dedos longe do botão POWER ON/Medição para evitar a emissão acidental do raio laser.
- Quando não estiver em uso por um período prolongado, retire a pilha do corpo.
- Não desmonte/reconstrua/repare o Telêmetro a Laser Nikon. O laser emitido pode ser prejudicial à sua saúde. Um produto que foi desmontado/reconstruído/reparado não está coberto pela garantia do

fabricante.

- Mantenha o Telêmetro a Laser Nikon guardado fora do alcance de crianças.
- Se o corpo do Telêmetro a Laser Nikon for danificado ou se este emitir um som estranho devido à queda ou por outra causa, retire imediatamente a pilha e pare de usá-lo.

En

Es

Fr

Pt

### **En** PRECAUÇÕES DE SEGURANÇA **Es** (Monóculo)

**Fr** O Telêmetro a Laser Nikon usa um  
**Pt** monóculo no seu sistema óptico de modo a mirar o alvo. Certifique-se de que observa o que segue:

#### **⚠** Advertência

- Nunca olhe diretamente diretamente para o sol ou para o raio laser, ao usar o telêmetro a Laser Nikon.

#### **⚠** Cuidados

- Quando não usar o Telêmetro a Laser Nikon, não pressione o botão POWER ON/Medição.
- Não use este produto ao caminhar. A falha em observar isto é poder causar lesão ou mau funcionamento como resultado de bater em algo, acertar outras pessoas, cair ou outros acidentes.
- Não balance pela alça. Isto pode fazer com que acerte outras pessoas e cause lesões.
- Não coloque este produto em local instável. A falha em observar isto pode resultar em que ele caia ou o deixe cair, provocando lesões ou mau funcionamento.
- Mantenha a bolsa plástica utilizada para embalar este produto ou outras peças

pequenas fora do alcance de crianças.

- Evite que as crianças coloquem a viseira de borracha ou peças pequenas, etc. na boca. Se uma criança engolir estas peças, consulte imediatamente um médico.
- Se as viseiras de borracha forem usadas por um longo período de tempo, algumas pessoas podem sofrer inflamação da pele. Se ocorrer qualquer sintoma, consulte imediatamente um médico.
- Para transportar o Telêmetro a Laser Nikon, guarde-o no estojo macio.
- Se o seu Telêmetro a Laser Nikon não funcionar corretamente, interrompa imediatamente o seu uso e consulte o seu distribuidor local para instruções sobre para onde enviá-lo para reparação.

### **PRECAUÇÕES DE SEGURANÇA (Pilha de lítio)**

Se manuseada incorretamente, a pilha pode romper-se e vaziar, correndo o equipamento e manchando roupas.

Certifique-se de que observa o que segue:

- Instale a pilha com os pólos + e - na posição correta.
- A pilha deve ser removida quando vazia ou durante longos períodos de não uso.
- Não provoque curto-circuito no terminal do compartimento da pilha.
- Não transporte junto com chaves ou moedas em um bolso ou bolsa, pois pode curto-circuitar ou provocar superaquecimento.
- Não exponha a pilha à água ou a chamas. Nunca desmonte a pilha.
- Não recarregue a pilha de lítio.
- Se o líquido de uma pilha danificada entrar em contato com o vestuário ou a pele, enxágue imediatamente com muita água. Se o líquido de pilhas danificadas entrar nos olhos, enxágue imediatamente com água limpa e, em seguida, consulte um médico.
- No descarte da pilha, siga os regulamentos da sua área local.

## PRECAUÇÕES DE SEGURANÇA

### ⚠ Cuidados

- O Telêmetro a Laser Nikon não foi projetado para o uso submerso.
- Chuva, água, areia e lama devem ser removidas da superfície do corpo do telêmetro assim que possível, usando-se um pano macio, limpo.
- Não deixe o Telêmetro a Laser Nikon no carro em um dia quente ou ensolarado, ou perto de equipamento gerador de calor. Isto pode danificá-lo ou afetá-lo de forma negativa.
- Não deixe o Telêmetro a Laser Nikon exposto à luz solar direta. Os raios ultravioleta e o calor excessivo podem afetá-lo negativamente ou até mesmo danificar a unidade.
- Se o Telêmetro a Laser Nikon for exposto a mudanças bruscas de temperatura, pode ocorrer condensação de água nas superfícies das lentes. Não use o produto enquanto a condensação não tiver evaporado.

## CUIDADOS E MANUTENÇÃO

### Lentes

- Ao remover a poeira da superfície da lente, use uma escova macia isenta de óleo.
- Ao remover manchas ou borrões como impressões digitais da superfície das lentes, limpe as lentes suavemente com um pano de algodão macio e limpo ou um papel de boa qualidade e isento de óleo para limpar lentes. Use uma pequena quantidade de álcool puro (não desnaturado) para limpar borrões resistentes. Não use panos de veludo ou de tecido comum, pois podem arranhar a superfície das lentes. Se o pano tiver sido usado para limpar o corpo, ele não deve ser usado novamente para a superfície da lente.

### Corpo principal

- Limpe a superfícies do corpo com um pano macio e limpo, depois de soprar ligeiramente a poeira com um soprador\*. Não use benzeno, solvente ou outros agentes de limpeza que contenham solventes orgânicos.
- \* Um soprador é um equipamento de limpeza de borracha que sopra ar por um bocal.

## Armazenagem

- Pode ocorrer condensação da água ou bolor na superfície da lente devido à elevada umidade. Por isto, guarde o Telêmetro a Laser Nikon em local fresco e seco. Após o uso em um dia chuvoso ou à noite, limpe-o cuidadosamente à temperatura ambiente e guarde-o em local fresco e seco.

**Pt** Símbolo para recolha de resíduos em separado utilizado nos países Europeus



Este símbolo indica que esta pilha é para ser recolhida separadamente. Esta norma aplica-se somente aos utilizadores nos países Europeus.

- Esta pilha foi designada para recolha em separado num recipiente apropriado. Não coloque no caixote do lixo doméstico.
- Para mais informações, entre em contacto com o revendedor ou com as autoridades locais responsáveis pela gestão de lixo.

**Pt** Símbolo para recolha de resíduos em separado utilizado nos países Europeus



Este símbolo indica que esta pilha é para ser recolhida separadamente. Esta norma aplica-se só para os utilizadores nos países Europeus.

- Esta produto está designado para recolha em separado num recipiente apropriado. Não coloque no caixote do lixo doméstico.
- Para mais informações, entre em contacto com o revendedor ou com as autoridades locais responsáveis pela gestão de lixo.

En

Es

Fr

Pt

## Principais características

- En** • Faixa de medição: 5-500 metros/6-550 jardas
- Es** • Sistema óptico 6x de alta qualidade com lentes com revestimento multi-camada
- Fr** • Sistema de Prioridade de Alvo Distante ativado
- Pt** • Pressionando continuamente o botão POWER ON/ Medição ativa a função de medição contínua
- Desligamento automático da energia (após aproximadamente 8 seg. sem uso)
- Default para ajustes "Último Uso"
- À prova de chuva — Equivalente à proteção JIS/IEC, classe 4 (IPX4)
- Laser da classe 1M Invisível/Seguro para os olhos EN/IEC

**O Telêmetro a Laser Nikon emite um raio laser invisível para medição. Mede o tempo que o raio laser demora a percorrer a distância do telêmetro ao alvo e o inverso. Os resultados da refletividade e da medição podem variar de acordo com as condições climáticas e ambientais, bem como a cor, o acabamento da superfície, o tamanho, forma e outras características do alvo.**

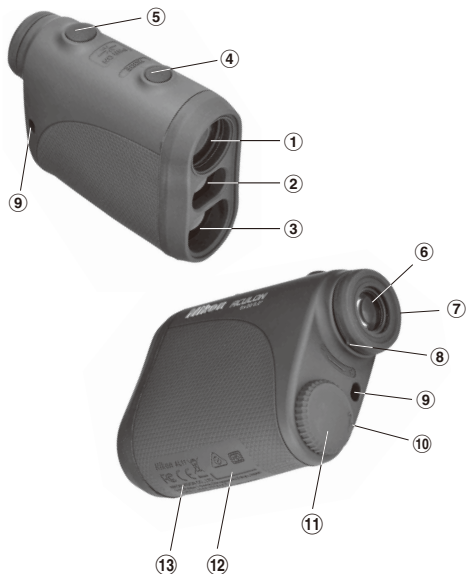
### **As seguintes condições facilitam a medição:**

- Tempo nublado
- Alvos de cores brilhantes
- Alvos com superfícies altamente refletivas
- Alvos de tamanho grande
- Com o ângulo de incidência do laser em relação ao alvo é aprox. 90 graus

### **A medição pode resultar em inexatidão ou falha nos seguintes casos:**

- O alvo têm superfícies refletivas pequenas ou estreitas
- O alvo têm superfícies refletivas difusas
- O alvo não reflete o raio laser para o telêmetro
- O alvo tem uma superfície totalmente refletiva (vidro, espelho, etc.)
- O alvo é preto
- O alvo têm superfícies em degraus
- Com neve, chuva ou neblina
- O alvo medido através de vidro
- Superfície refletiva medida da direção diagonal
- Alvo em movimento ou em vibração
- Obstáculo em movimento na frente do alvo
- Ao medir uma superfície de água

## Nomenclatura/Composição



- ① Objetiva monocular
- ② Abertura de emissão do laser
- ③ Abertura de detecção do laser
- ④ Botão MODE
- ⑤ Botão POWER ON/Medição
- ⑥ Óculo monocular 6x
- ⑦ Viseira/anel de ajuste de dioptria
- ⑧ Índice de dioptria
- ⑨ Olhal da alça
- ⑩ Indicação "Open" ("Abrir") do compartimento da pilha
- ⑪ Tampa do compartimento da pilha
- ⑫ Etiqueta de número de produto
- ⑬ Indicação de informações de FDA



**Nikon AL11**  
NIKON VISION CO., LTD.  
3-25, Futaba 1-chome, Shinagawa-ku, Tokyo, Japan  
CLASS I LASER PRODUCT  
THIS PRODUCT COMPLIES WITH 21CFR  
1040.10 AND 1040.11      Made in China

### Composição

Corpo .....x1	Alça de pescoço .....x1
Estojo macio .....x1	Pilha de lítio (CR2) .....x1

## Inserção e troca de pilhas

En

• **Tipo de pilha:** Pilha de lítio 3V CR2

Es

• **Indicadores de carga remanescente da pilha**

Fr

\* A marca de estado da pilha no visor interno avisa quando a pilha tem de ser trocada.

Pt



: Pilha tem carga suficiente para uso.



: Carga da pilha está ficando baixa. Esteja preparado para trocar a pilha.



: Carga da pilha está baixa. A pilha deve ser substituída por uma nova.



- piscando : Pilha está gasta. Se o indicador pisca três vezes, o telêmetro a laser desligar-se-á automaticamente. Por favor, troque a pilha.

### ① **Abra a tampa do compartimento da pilha**

Rode a tampa do compartimento da pilha no sentido anti-horário e retire-a. Ela pode não abrir facilmente devido à vedação em borracha para resistência à água.

### ② **Substitua a pilha velha por uma nova**

Insira uma pilha nova corretamente posicionada, seguindo a etiqueta de indicação dentro do compartimento. O polo [-] deve ser posicionado na direção do interior do compartimento. Se a pilha não for colocada corretamente, o Telêmetro a laser Nikon não funcionará. Se quer trocar a pilha, retire primeiro a antiga pilha. Depois coloque a nova pilha.

### ③ **Feche a tampa do compartimento da pilha**

Rode a tampa do compartimento da pilha no sentido horário e enrosque-a no corpo. Ela pode não fechar facilmente devido à vedação de borracha para resistência à água, mas continue a girá-la até que pare. Confirme se a tampa está firmemente fechada.

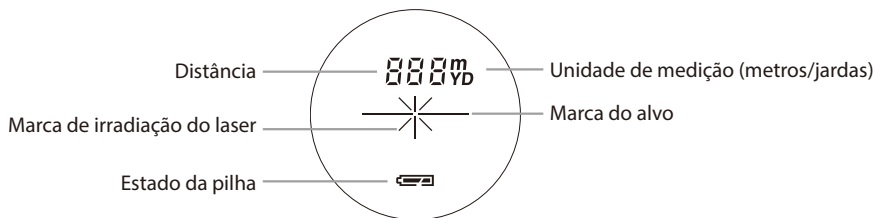
## • Vida da pilha

**Operação contínua:** aprox. 8.000 vezes (a aprox. 20°C)

Este número pode ser diferente, de acordo com as condições, temperatura e outros fatores como formato, cor, etc. do alvo.

\* O Telêmetro a Laser Nikon vem com uma pilha de lítio de 3V CR2. No entanto, devido à descarga elétrica natural, a vida desta pilha provavelmente será mais curta do que a apontada acima.

\* Substitua a pilha se, por acaso, o Telêmetro a Laser Nikon for submerso em água ou se entrar água no compartimento da pilha.



- 【+】 - Mire o alvo que quer medir. Posicione o alvo no centro da marca do alvo.
- 【×】 - Aparece enquanto o laser está sendo ativado para uma medição. Permanece presente durante uma medição simples. Pisca durante medições contínuas. Não olhe para dentro das objetivas quando esta marca é exibida.
- 【:】 - Medindo agora
- 【-.-】 - "Falha na medição" ou "Incapaz de medir"

\* Geralmente, um LCD exibe na mesma magnificação ou inferior. No entanto, o LCD deste produto é altamente magnificado pela lente ocular. Embora o LCD tenha sido produzido com o uso da mais avançada tecnologia, é impossível eliminar completamente o pó. Como resultado, pode ser visível pó. No entanto, o pó não prejudicará a precisão da medição ou a segurança durante o uso.

## Medição

**En** **Cuidado** — O uso de controles e ajustes ou a execução de procedimentos que não aqueles especificados nestas instruções podem resultar em exposição a radiações perigosas.

**Es**

**Fr**

**Pt** 1. Instale uma pilha no compartimento da pilha. (Ver "Inserção e troca de pilhas")

### 2. Ajuste da dioptria

Ajuste a dioptria para obter uma imagem nítida no LCD.

Em primeiro lugar, gire o anel de ajuste da dioptria no sentido anti-horário até que este pare completamente. Em seguida, ligue a energia para ativar o LCD quando você olha através do Telêmetro a Laser Nikon. Gire o anel de ajuste da dioptria no sentido horário até que o visor entre em foco. Se a dioptria não for ajustada para corresponder à sua visão, você pode não conseguir mirar corretamente no seu objeto.

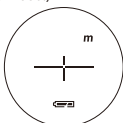
### 3. Medição

Antes de medir, certifique-se de confirmar o ajuste da unidade.

1. Ligue a energia (confirme se o visor interno está ligado).  
(Desligamento automático após aproximadamente 8 seg. sem uso.)



Imediatamente após ligar a energia. (Inicialização)



Em espera.



Mira do alvo.

2. Mire no alvo.  
Posicione o alvo no centro do retículo.

3. Pressione o botão POWER ON/Medição uma vez para iniciar a medição simples.  
Manter o botão POWER pressionado permite realizar medições contínuas por até cerca de 20 segundos.



Medição.

4. Durante a medição, o visor interno mostra alternadamente o indicador "distance" (distância) e "fail to measure" (falha na medição). (A marca de irradiação do laser está piscando).



Falha na medição ou incapaz de medir a distância.



Exibe o número medido (Alvo 1).



Exibe o número medido (Alvo 2).

5. Após a medição, os resultados medidos são exibidos por aprox. 8 segundos e, depois, a energia é desligada. Se você pressionar o botão POWER ON/Medição quando a energia estiver ligada (enquanto o visor interno estiver iluminado), tem início uma outra medição.



## Unidades de visualização de distância

Os resultados das medições são visualizados em metros/jardas.  
(O ajuste default de fábrica é jardas.)



1. Ligue a energia (confirme se o visor interno está ligado).
2. Pressione o botão MODE sem soltar por mais de dois segundos.  
Quando a unidade de exibição tiver sido comutada, solte o botão.
3. Após a unidade estar ajustada, os resultados serão convertidos e exibidos na unidade de medida que você selecionou.

## Outros

Este dispositivo está conforme a Parte 15 das Regras da FCC. A operação está sujeita às duas condições a seguir:

- (1) Este dispositivo não pode causar interferência prejudicial e
- (2) Este dispositivo deve aceitar qualquer interferência recebida, inclusive interferência que pode causar operação indesejada.

Este equipamento foi testado e concluiu-se que atende os limites para um dispositivo digital Classe B, de acordo com a Parte 15 das Regras da FCC e da diretiva EU EMC. Estes limites foram projetados para oferecer proteção razoável contra interferências prejudiciais em uma instalação residencial. Este equipamento gera, usa e pode irradiar energia de frequência de rádio e, se não for instalado e usado de acordo com as instruções, pode ocasionar interferências prejudiciais a comunicações por rádio. No entanto, não há garantia de que não ocorram interferências em uma instalação específica. Se este equipamento causar interferências prejudiciais à recepção de rádio ou televisão, que podem ser comprovadas ao desligar e ligar o equipamento, recomenda-se que o usuário tente corrigir a interferência por meio de uma ou mais das medidas a seguir:

- Reorientar ou reposicionar a antena receptora.
- Aumentar a separação entre o equipamento e o receptor.
- Consultar o distribuidor ou um técnico de rádio/TV experiente para solicitar ajuda.

Este aparelho digital Classe B atende todos os requisitos da Canadian Interference-Causing Equipment Regulations.

Este Telêmetro a Laser Nikon é um telêmetro básico. Seus resultados não podem ser usados como provas oficiais.

## Modo de prioridade de alvo

Este telêmetro a laser tem um Sistema de Prioridade de Alvo Distante. Ao medir objetos em sobreposição, este equipamento exibe a distância para o objeto mais afastado.

En

Es

Fr

Pt

## Especificações

En  
Es  
Fr  
Pt

Sistema de medição	
Faixa de medição	5-500 metros/6-550 jardas
Exibição da distância (aumento)	Cada 1 metro/jarda
Sistema óptico	
Tipo	Monóculo prisma de topo
Magnificação (x)	6
Diâmetro efetivo da objetiva (mm)	20
Campo de visão angular (real) (°)	6,0
Alívio dos olhos (mm)	16,7
Pupila de saída (mm)	3,3
Ajuste da dioptria	$\pm 4 \text{ m}^{-1}$
Outros	
Temperatura de operação (°C)	-10 — +50
Fonte de energia	Pilha de lítio CR2 x 1 (CC 3V)
Dimensões (C x H x L) (mm)	91 x 73 x 37
Peso (g)	Aprox. 125 (sem pilha)
Estrutura	Equivalente à proteção JIS/IEC, classe 4 (IPX4) (de acordo com as nossas condições de teste)
Segurança	Classe 1M Produto laser (EN/IEC60825-1:2007) Classe I Produto laser (FDA/21 CFR Parte 1040.10:1985)
EMC	FCC Parte 15 Subparte B classe B, diretiva EU:EMC, AS/NZS, classe B VCCI
Ambiente	RoHS, WEEE

Laser	
Classe	EN/IEC Classe 1M
Comprimento de onda (nm)	905
Duração do pulso (ns)	20
Saída (W)	10
Divergência de feixe (mrad)	Vertical: 3,8, Horizontal: 0,17
Umidade de operação (%RH)	80 (sem condensação de orvalho)

En

Es

Fr

Pt

### **Desempenho resistente a água:**

Este telêmetro a laser Nikon é equivalente à classe de proteção 4 JIS/IEC (IPX4) (sob nossas condições de teste). Esta classificação não garante que a unidade seja imune a danos ou problemas em quaisquer circunstâncias. Por favor, observe o seguinte durante a utilização:

- Como a unidade não tem uma estrutura perfeitamente vedada, ela não deve ser operada nem exposta a água corrente.
- Se se detectar umidade nas peças móveis da unidade, pare de usá-la e limpe-a.
- Pode entrar água na unidade se esta for submersa em água. Se entrar água, seque toda a umidade e aguarde até que seque.

## Problemas e Soluções/Reparo

En

Es

Fr

Pt

Se o seu Telêmetro a Laser Nikon precisar de ser reparado, por favor contate o seu distribuidor local quanto a detalhes sobre para onde enviar o produto. Antes de fazer isto, recomendamos que você consulte a Tabela de Problemas e Soluções abaixo.

Sintoma	Pontos a Verificar
Unidade não liga — LCD não ilumina	<ul style="list-style-type: none"><li>• Pressione o botão POWER.</li><li>• Verifique a colocação da pilha</li><li>• Troque a pilha, se necessário.</li></ul>
Não é possível obter o alcance do alvo	<ul style="list-style-type: none"><li>• Certifique-se de que nada, como, por exemplo a sua mão ou o seu dedo, está bloqueando a abertura de emissão de laser e o detector de laser.</li><li>• Certifique-se de que a abertura de emissão de laser e o detector de laser estão limpos. Limpe-os, se necessário.</li><li>• Certifique-se de que a forma e as condições do alvo são apropriadas para refletir o raio laser.</li><li>• Troque a pilha.</li></ul>
[- -] aparece ("Cannot measure") (Incapaz de medir)	<ul style="list-style-type: none"><li>• Certifique-se de segurar a unidade enquanto mede.</li><li>• Certifique-se de que o alvo está dentro da faixa de medição.</li></ul>
Um alvo mais próximo não pode ser medido	<ul style="list-style-type: none"><li>• Certifique-se de que nada, como por exemplo, folhas ou grama, está entre o Telêmetro a Laser Nikon e o alvo.</li></ul>
Um alvo além de uma determinada distância não pode ser medido	<ul style="list-style-type: none"><li>• Certifique-se de que nada, como por exemplo, folhas ou grama, está entre o Telêmetro a Laser Nikon e o alvo.</li></ul>

<b>Sintoma</b>	<b>Pontos a Verificar</b>
Resultado da medição é instável	<ul style="list-style-type: none"> <li>• Troque a pilha.</li> <li>• Certifique-se de que a forma e as condições do alvo são apropriadas para refletir o raio laser.</li> <li>• Certifique-se de segurar a unidade enquanto mede.</li> <li>• Certifique-se de que nada, como por exemplo, folhas ou grama, está entre o Telêmetro a Laser Nikon e o alvo.</li> </ul>
O resultado incorreto é exibido	<ul style="list-style-type: none"> <li>• Troque a pilha.</li> <li>• Certifique-se de que a forma e as condições do alvo são apropriadas para refletir o raio laser.</li> <li>• Certifique-se de que nada, como por exemplo, folhas ou grama, está entre o Telêmetro a Laser Nikon e o alvo.</li> </ul>

Se os problemas persistirem após consultar a Tabela de Problemas e Soluções, por favor contate o seu distribuidor local para inspecionar/reparar o Telêmetro a Laser Nikon. Nunca deixe qualquer pessoa que não o representante oficial do fabricante do produto inspecionar ou reparar o Telêmetro a Laser Nikon. A falha em seguir esta instrução pode resultar em lesões ou danos ao produto.

**NIKON VISION CO., LTD.**

3-25, Futaba 1-chome, Shinagawa-ku, Tokyo 142-0043, Japan

Printed in China (262K)2E/1403