



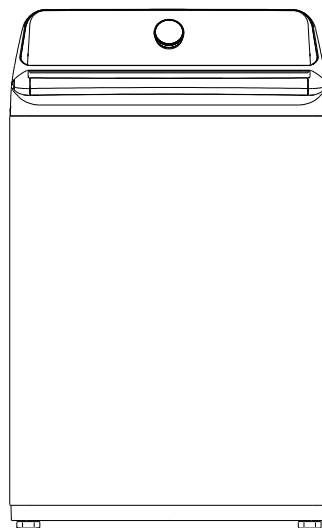
Top-Load Washer

Power supply: 120V-
Frequency: 60Hz

Warning:
Before using this product, please read this manual carefully and keep it for future reference. The design and specifications are subject to change without prior notice for product improvement. Consult with your dealer or manufacturer for details.

version A

USER MANUAL & INSTALLATION INSTRUCTIONS



Free 3 months extension* of the original limited warranty period! Simply text a picture of your proof of purchase to:

1-844-224-1614

*The warranty extension is for the three months immediately following the completion of the products original warranty period.

MODEL NUMBERS
MLTW44A4BWW
MLTW45M4BWW
www.midea.com

Dear user

THANK YOU for letting Midea help you “make yourself at home.” This manual is part of our commitment to your total satisfaction. Please read this manual carefully before use and keep it in a convenient place for future reference.

To help us serve you better, please consider registering your product using our convenient Midea app Msmartlife, by visiting www.midea.com or by texting a picture of your proof of purchase to 1-844-224-1614.

SAFETY INSTRUCTIONS.....	4
FEATURES	11
Package contents.....	11
Main components.....	12
OPERATION REQUIREMENTS.....	13
Electrical requirements.....	13
Water requirements.....	14
Drainage requirements.....	14
INSTALLATION INSTRUCTIONS	15
Unpacking your washer	15
Choosing a location.....	16
Tools you will need	18
Connect the water hoses	19
Connect the drain hose.....	22
Level your washer	23
Power on.....	24
Run a test cycle.....	25
WASHER USE	26
Control panel.....	26
Washing a load of laundry	29
Setting the control lock.....	33
Washer options and settings.....	34
Smart control	35

WASHER CARE	38
Cleaning and Maintenance	38
BEFORE YOU CALL FOR SERVICE	40
Troubleshooting tips	40
Error codes	42
WARRANTY	44
PRODUCT REGISTRATION	46

READ AND KEEP THESE INSTRUCTIONS FOR FUTURE REFERENCE

This manual contains important information on the installation, use, and care of your appliance. Please read this manual carefully before installation and operation of this machine to prevent injury and property damage.

Warnings and Important Safety Instructions in this manual DO NOT cover all possible conditions and situations that may occur. It is your responsibility to use common sense, caution and care when installing, maintaining and operating your washer.



CAUTION
RISK OF ELECTRIC SHOCK
DO NOT OPEN



SAFETY INSTRUCTIONS

YOUR SAFETY AND THE SAFETY OF OTHERS ARE VERY IMPORTANT

To prevent injury to the user or other people and property damage, the instructions shown here must be followed. Incorrect operation due to ignoring of instructions may cause harm or damage, including death.

The level of risk is shown by the following indications.



This indicates that hazards or unsafe practices may cause serious personal injury or death. To reduce the risk of fire, explosion, electric shock or personal injury when using your washing machine, you SHOULD follow these basic safety precautions.



This indicates that hazards or unsafe practices may cause minor personal injury or property damage.



This symbol indicates that there are important operating and maintenance instructions in the literature accompanying your washing machine.

WARNING

State of California Proposition 65 Warnings.

The California Safe Drinking Water and Toxic Enforcement Act requires the Governor of California to publish a list of substances known to the State of California to cause cancer, birth defects or other reproductive harm and requires businesses to warn of potential exposure to such substances. This product contains a chemical known to the State of California to cause cancer, birth defects or other reproductive harm. This appliance can cause low-level exposure to some of the substances listed, including benzene, formaldehyde and carbon monoxide. Cancer and Reproductive Harm - www.P65Warnings.ca.gov.

WARNING

Do not store or use gasoline or other flammable vapors and liquids in the vicinity of this or any other appliance.

IMPORTANT SAFETY INSTRUCTIONS

WARNING

- Read all instructions before using the appliance.
- Use this appliance only for its intended purpose as described in this Owner's Manual.
- Before use, the appliance must be properly installed as described in this manual.
- ALWAYS follow the fabric care instructions supplied by the garment manufacturer.
- Do not wash articles that have been previously cleaned in, washed in, soaked in, or spotted with gasoline, dry-cleaning solvents, other flammable or explosive substances as they give off vapors that could ignite or explode.
- Do not allow children to play on or in the appliance. Close supervision of children is necessary when the appliance is used near children.
- Before the appliance is removed from service or discarded, remove the lid of the washing compartment.
- Do not reach into the appliance if the tub is moving.
- Do not install or store this appliance where it will be exposed to the weather or freezing temperatures.
- Do not tamper with the controls.
- Do not repair or replace any part of the appliance or attempt any servicing unless it is specifically recommended in the user maintenance instructions or in published user repair instructions that you understand.
- Hydrogen gas is explosive. If the hot water system has not been used for two weeks or more, before using a washer, turn on all hot water faucets and let the water flow from each for several minutes. This will release any accumulated hydrogen gas. The gas is flammable, so do not smoke or use an open flame during this time.
- Keep the area underneath and around your appliance free of combustible materials (lint, paper, rags and so on), gasoline chemicals, and other flammable vapors and liquids.
- Do not place items exposed to cooking oil in your washer. Items contaminated with cooking oil may contribute to a chemical reaction that could cause a load to catch fire.
- This washer is not designed for maritime use or for mobile installations such as in RVs aircraft and other mobile platforms.
- Turn off the water faucets and unplug the washer if the machine is to be left for an extended period of time, such as during vacations.
- Packaging material can be dangerous for children. There is a risk of suffocation! Keep all packaging away from children.
- Always check the inside of the washer for foreign objects before loading laundry. Keep the lid closed when not in use.



WARNING

- Plug the power cord into an AC 120V~/60Hz wall socket rated at 15 amps or higher. Use the socket for this washer only. Do not use an extension cord.
 - Sharing a wall socket with another appliance, using a power strip, or extending the power cord may result in electric shock or fire.
 - Do not use an electric transformer. It may result in electric shock or fire.
 - Make sure that the power voltage, frequency and current match the product's specifications. Failing to do so may result in electric shock or fire.
- Remove all foreign substances such as dust or water from the power plug terminals and contact points using a dry cloth on a regular basis.
 - Unplug the power plug and clean it with a dry cloth.
 - Failing to do so may result in electric shock or fire.
- Plug the power plug into the wall socket in the right direction so that the cord runs towards the floor.
 - If you plug the power plug into the socket in the opposite direction, the electric wires within the cable may be damaged and this may result in electric shock or fire.
- Plug the power plug into the wall socket firmly. Do not use a damaged power plug or loose wall socket, because this may result in electric shock fire.
- Do not pull or excessively bend the power cord. Do not twist or tie the power cord.
- Do not hook the power cord over a metal object. Place a heavy object on the power cord, insert power cord between objects, or push the power cord into the space behind the appliance, because this may result in electric shock or fire.
- Do not pull the power cord when unplugging the power plug.
 - Unplug the power plug by holding the plug.
 - Failing to do so may result in electric shock or fire.
- If the power plug or power cord is damaged, contact your nearest service center.
- Do not install on carpet. Install the washer on a level and solid floor that can support its weight. Failure to do so may result in abnormal vibration, noise or problems with the product.
- The washer is heavy. Two or more people may be needed to install and move the appliance. Failure to do so may result in bodily or other injuries.
- Store and install the washer where it will not be exposed to temperatures below freezing or exposed to outdoor weather conditions. Failure to do so may result in serious leak damage.
- Position the appliance so that the power plug is easily accessible. Failure to do so may result in electric shock or fire due to an electrical short circuit.
- Failure to follow all of the safety warnings in this guide may result in property damage or injury to persons.



WARNING

Use and Maintenance warnings and Precaution

- If the appliance is flooded, cut the power immediately and contact your nearest service center.
- If the appliance emits a strange noise, a burning smell or smoke, unplug the power plug immediately and contact your nearest service center. Failure to do so may result in electric shock or fire.
- In the event of a gas leak (such as propane or LP gas) ventilate the area immediately. Do not turn any appliance or light on or off.
- Do not use a ventilating fan.
- A spark may result in an explosion or fire.
- Do not force the washer lid open while the washer is operating (hightemperature washing, drying or spinning).
 - Water flowing out of the washer may cause burns or cause the floor to be slippery. This may result in injury.
 - Forcing the lid open can damage the product or cause injury.
- Make sure to remove the packaging (sponge, styrofoam) attached to the bottom of the washer before using it.
- Do not insert your hand or a metal object under the washer. This may result in injury.
- Do not attempt to operate this appliance if it is damaged, malfunctioning, partially disassembled or has missing or broken parts, including a damaged cord or plug. This may result in electric shock, fire or death.
- Do not touch the power plug with wet hands. This may result in electric shock.
- Do not turn the appliance off by unplugging the power plug while the washer is in operation. Plugging the power plug into the wall socket again may cause a spark and result in electric shock or fire.
- Keep all packaging material well out of the reach of children, as packaging materials can be dangerous to children. If a child places a bag over his or her head, he or she may suffocate.
- Do not let children or infirm persons use this washer unsupervised. Failure to do so may result in electric shock, burns or injury.
- Do not attempt to repair, disassemble or modify the appliance yourself.
 - Do not use any fuse (such as copper, steel wire etc.) other than the standard fuse.
 - If you need to repair or reinstall the appliance, contact your nearest service center.
 - Failure to do so may result in electric shock, fire, problems with the product or injury.
- If any foreign substance such as water enters the appliance in any area other than the tub, unplug the power plug and contact your nearest service center. Failure to do so may result in electric shock or fire.
- If the water supply hose comes loose from the faucet and floods the appliance, unplug the power plug. Failure to do so may result in electric shock or fire.

- Do not mix chlorine bleach with ammonia or acids such as vinegar. Incorrect usage can produce poisonous gas, resulting in serious injury.
- Do not reach into the washer while parts are moving. Before loading, unloading or adding items, press the Start/Pause button and allow the tub to come to a complete stop before reaching inside. Failure to do so may result in electric shock injury or fire.
- Do not allow children to play on or in the washer. Close supervision of children is necessary when the washer is used near children. As children grow, teach them the proper, safe use of all appliances. Failure to do so may result in serious injury.
- Keep laundry products out of reach of children. Observe all warnings on product labels and follow them. Failure to do so may result in serious injury.
- Disconnect this appliance from the power supply before attempting any user maintenance. Pressing the Power button does not disconnect this appliance from the power supply. Failure to do so may result in electric shock, injury or fire.
- Do not clean the appliance by spraying water directly onto it.
- Do not use benzene, thinner or alcohol to clean the appliance. This may result in discoloration, deformation, damage, electric shock or fire.
- Unplug the power plug when the appliance is not being used for long periods of time or during a thunder/lightning storm. Failure to do so may result in electric shock or fire.
- Keep hands and foreign objects clear of the lid and latch area when closing the lid. Failure to do so may result in personal injury.
- If the washer is contaminated by a foreign substance such as detergent, dirt, or food waste, unplug the power plug and clean the washer with a damp, soft cloth. Failure to do so may result in discoloration, deformation, damage or rust.
- The clear portion of the lid can be broken by a strong impact. Take care when using the washer. If the clear portion is cracked or broken, it may result in injury.
- After a water supply failure or when reconnecting the water supply hose, open the faucet slowly.
- Open the faucet slowly after a long period of non-use. The air pressure in the water supply hose or the water pipe may result in damage to a part or in water leakage.
- If a drain error occurs during an operation, check if there is a draining problem. If the washer is used when it is flooded because of a draining problem, it may result in electric shock or fire due to an electrical short circuit. Do not insert your hand or a metal object under the washer. This may result in injury.
- Insert laundry into the washer completely so that the laundry does not get caught in the lid. If laundry gets caught in the lid, it may result in damage to the laundry or the washer, or result in water leakage.
- Make sure that the faucet is turned off when the washer is not being used.
- Make sure that the water supply hose connectors are properly tightened. Failure to do so may result in property damage or injury.
- Open the faucet and check if the water supply hose connector is firmly tightened and that there is no water leaking before using the product. If the water supply hose connectors are loose, it may result in water leakage.

- Do not stand on top of the appliance or place objects (such as laundry, lighted candles, lighted cigarettes, dishes, chemicals, metal objects, etc.) on the appliance. This may result in electric shock, fire, problems with the product, or injury.
 - Do not operate the appliance with wet hands. This may result in electric shock.
 - Do not spray volatile material such as insecticide onto the surface of the appliance. As well as being harmful to humans, it may also result in electric shock, fire or problems with the product.
 - Do not place an object that generates an electromagnetic field near the washer. This may result in injury due to a malfunction.
 - Since the water drained during a high temperature wash or drying cycle is hot, do not touch the water. This may result in burns or injury.
 - Do not wash, spin or dry water-proof seats, mats or clothing.
 - Do not wash thick, hard mats even if the washer mark is on the care label. This may result in injury or damage to the washer, walls, floor or clothing due to abnormal vibrations.
 - Do not operate the washer when the detergent dispenser is removed. This may result in electric shock or injury due to water leakage.
 - Do not insert your hand into the detergent dispenser after opening it. This may result in injury because your hand may be caught.
 - Do not place any non-laundry objects, such as shoes, food waste or animals into the washer. This can cause abnormal vibrations that can damage the washer, and in the case of pets, cause severe injury or death.
 - Do not press the buttons using sharp objects such as pins, knives, or fingernails. This may result in electric shock or injury.
 - Do not wash laundry contaminated by oils, creams or lotions usually found in skin-care shops or massage clinics. This may result in the rubber seal becoming deformed and water leakage.
 - Make sure that the water inlet pipe is connected and the tap is opened before washing clothes.
 - Do not leave metal objects (safety pins, hair pins, and so on) or bleach in the tub for long periods of time. This may cause the tub to rust.
 - If rust appears on the surface of the tub, apply a neutral cleansing agent to the surface and use a sponge to clean it. Never use a metal brush.
 - Do not use hot water from water cooling/heating devices. This may result in problems with the washer.
 - Do not use natural hand-washing soap in the washer. If it hardens and accumulates inside the washer, it may cause problems with the product, discoloration, rust or bad odors.
 - If using a washing net with this machine (not provided), do not wash laundry items such as bedding in the washing net. Doing so may result in injury due to abnormal vibrations. Place only smaller items such as lace socks and lingerie in the washing net.
 - Do not use hardened powdered detergent. If it accumulates inside the washer, it may result in water leakage.
 - Do not wash throw rugs or doormats. Doing so may cause sand to accumulate inside the washer, resulting in mechanical problems.
- SAVE THESE INSTRUCTIONS.**

WARNING

Grounding/Earthing

- This appliance must be properly grounded.
- Do not ground the appliance to a gas pipe, plastic water pipe or telephone line.
 - Improper grounding may result in electric shock, fire, explosion or problems with the product.
 - Never plug the power cord into a socket that is not grounded correctly. Make sure that the socket you use is grounded in correctly. Make sure that the socket you use is grounded in accordance with local and national codes.

WARNING

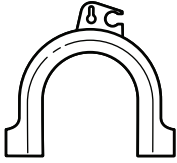
Grounding/Earthing

- Do not install this appliance near a heater or inflammable material.
- Do not install this appliance in a humid, oily or dusty location, or in a location exposed to direct sunlight or water (rain drops).
- Do not install this appliance in a location where gas may leak. Failure to do so may result in electric shock or fire.
- If the washer is moved to a new location, have it checked and reinstalled by a qualified service technician. Failure to follow this warning may result in electric shock or fire.
- Do not pull power cord or drain outlet hose to move appliance to desired location place.

FEATURES

Package Contents

Make sure that the following items came with your washer



Drain Hose Guide



Manual



Tie (x1)



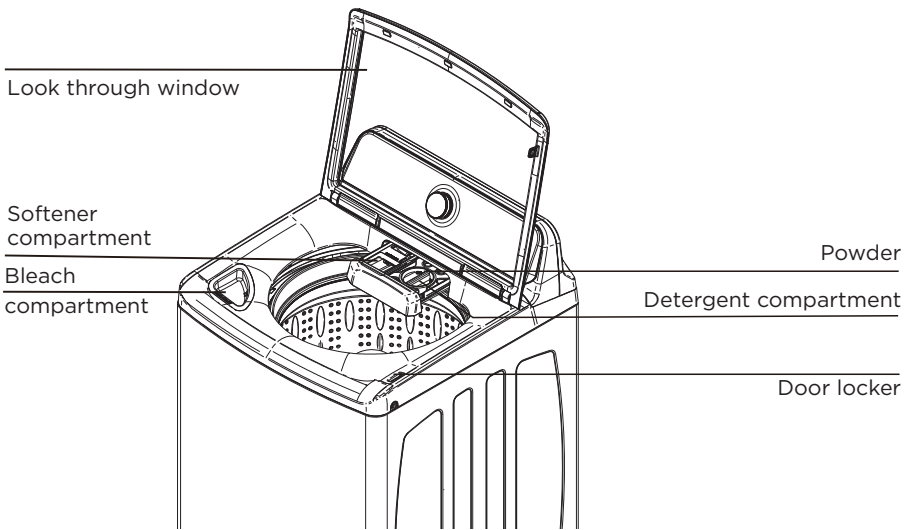
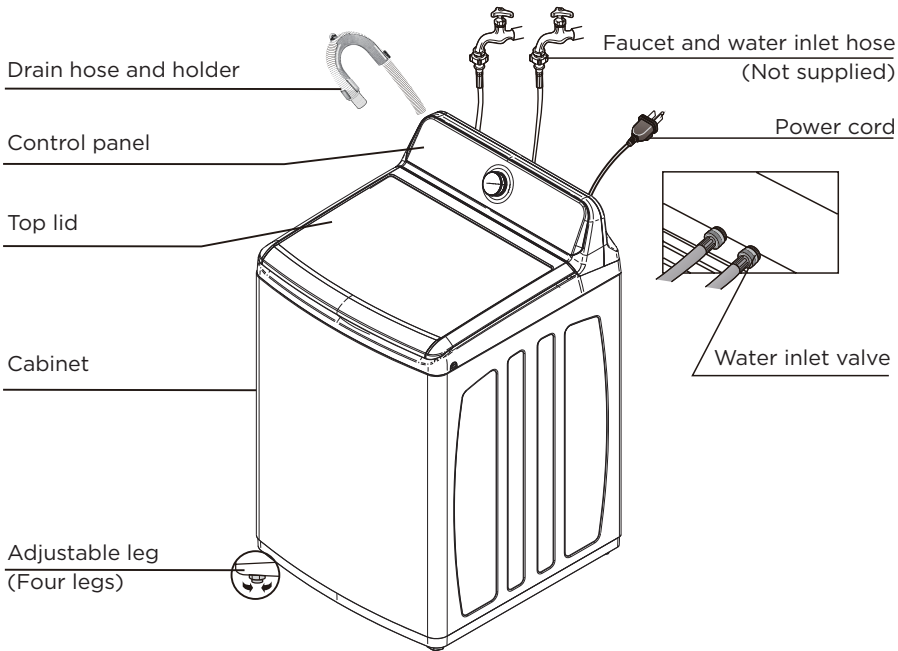
Filter (x2)

NOTE:

- Use the filters to replace the rubber washers in the water hoses (faucet sides).

Main Components

Safety Instructions
Features
Operation Requirements
Installation Instructions
Washer Use
Washer Care
Troubleshooting



OPERATION REQUIREMENTS

Electrical requirements

WARNING

To reduce the risk of fire, electric shock, or injury to persons, read the SAFETY INSTRUCTIONS before operating this appliance.

Use a 120 Volt, 60Hz, 15 amp fuse or circuit breaker. We recommend an individual branch circuit that serves only your washer.

WARNING

Never use an extension cord.

Electrical grounding is required for your washer.

You must ground your washer. IN the event of a malfunction or breakdown, grounding reduces the risk of electric shock by providing a path of least resistance for the electric current.

Your washer is equipped with a power cord with a three-pronged grounding plug for use in a correctly installed and grounded outlet.

The outlet must be correctly installed and grounded in accordance with all local codes and ordinances.

WARNING

- You are responsible for providing adequate electrical services for your washer.
- An incorrectly connected equipment-grounding conductor can increase the risk of electrical shock. Check with a qualified electrician or serviceperson if you are not sure whether your washer is grounded correctly.
- Do not modify the power cord plug that came with your washer. If the plug does not fit the outlet, have the correct type outlet installed by a qualified electrician.
- To prevent unnecessary risk of fire, electrical shock or personal injury, all wiring and grounding must be done in accordance with the National Electrical Code ANSI/FNPA, No.70 Latest Revision and local codes and ordinances.
- Never connect the ground wire to plastic plumbing lines, gas lines or hot water pipes.
- Failure to closely follow these instructions may result in an abnormal vibrating and out-of-balance condition that could result in physical injury, property damage, and/or appliance damage.

Water requirements

To fill your washer in the correct amount of time, the water pressure needs to be between 14 and 116 psi (100 to 800 kPa).

If the water pressure is less than 14 psi (100 kPa):

- The water valve may fail or may not shut off completely.
- The time it takes to fill your washer may be longer than the time your washer controls allow. Your washer will turn off and report an error. A time-limit is built into the controls to prevent flooding in your home if a hose becomes loose.
- Water inlet hoses must be purchased separately. You can buy inlet hoses in various lengths up to 8 ft. (240 cm).

To avoid the possibility of water damage:

- Make sure that the water faucets are easily accessible.
- Turn off the faucets when you are not using your washer.
- Periodically check to make sure that water is not leaking from the water hose fittings.

Drainage requirements

The recommended height for the drain standpipe is 48 in. (122 cm).

The drain hose must be routed through the drain hose clip to the standpipe.

The standpipe must be large enough to accept the outside diameter of the drain hose.

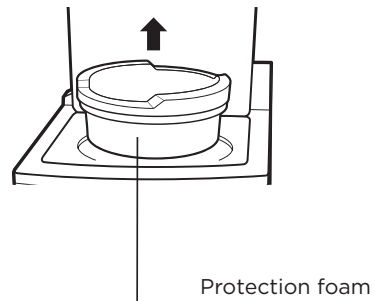
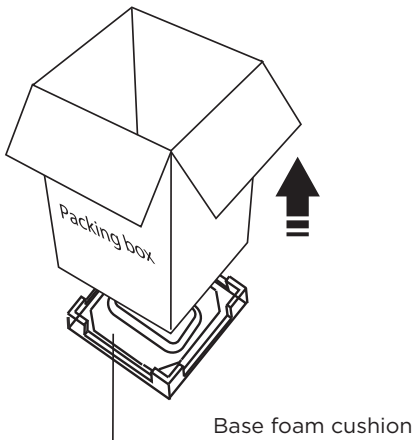
INSTALLATION INSTRUCTIONS

Unpacking your washer

WARNING

- Packing materials can be dangerous to children. Keep all packing materials (plastic bags, polystyrene, and so on) well out of the reach of children.
- Do not operate your washer on the foam base cushion. Doing so will result in serious vibration, which could cause equipment damage or result in physical injury.
- Certain internal parts are intentionally not grounded and may present a risk of electric shock only during servicing. Service Personnel - Do not contact the following parts while the appliance is energized: Electrical Valve, Drain Pump and Main Motor and Retractor.

Remove the packing box and lift the washer up and away from the foam base cushion. Open the lid of the washer to take out all accessories including the protective foam.



Choosing a location

WARNING

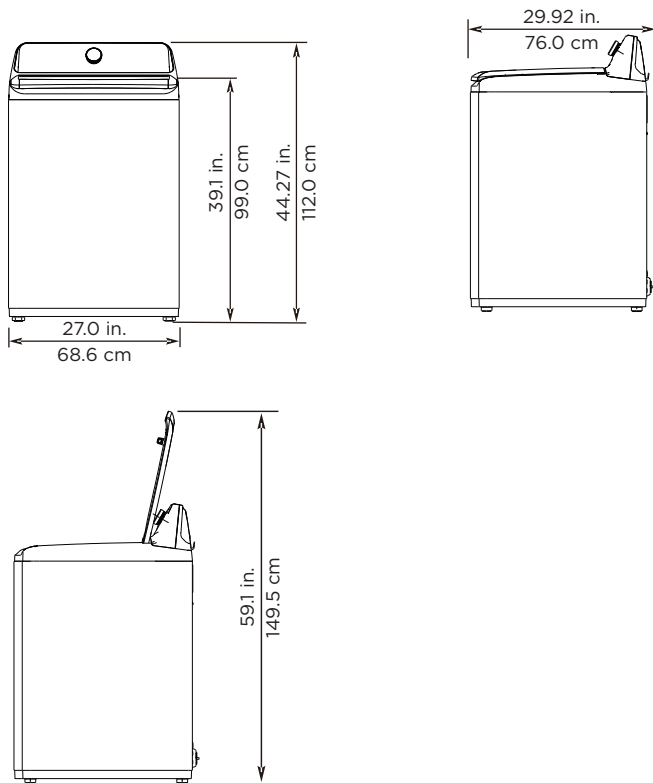
- Do not install your washer in areas where water may freeze, because your washer always retains some water in its water valve, pump and hose areas. Frozen water can damage the valve, pump, hoses and other components.
- Never install on a platform or weakly supported structure.

For best performance, you must install your washer on a solid, level floor.

Wooden floors may need to be reinforced to minimize vibration or unbalanced load situations.

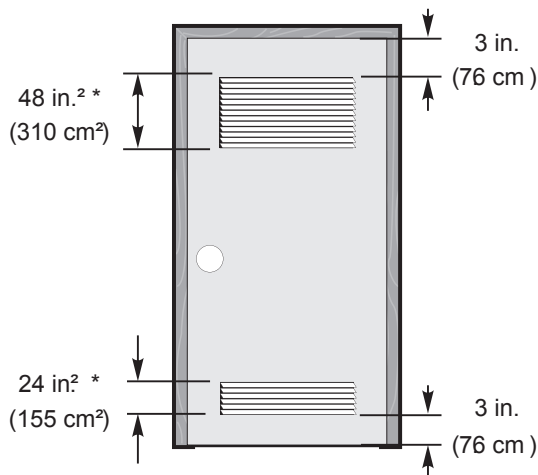
Carpeting and soft tile surfaces can contribute to excessive vibration, which can cause your washer to move slightly during the spin cycle.

Washer dimensions and installation measurements



* Required spacing

If you install your washer in an alcove or closet, the front of the closet must have two unobstructed air openings for a combined minimum total area of 72 sq.in. (465 sq.cm) with a minimum clearance of 3 in. (7.6 mm) at the top and bottom. A slatted door with equivalent space clearance is acceptable.

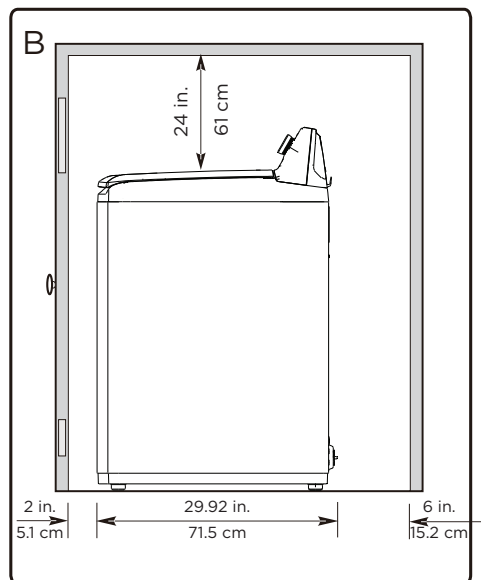
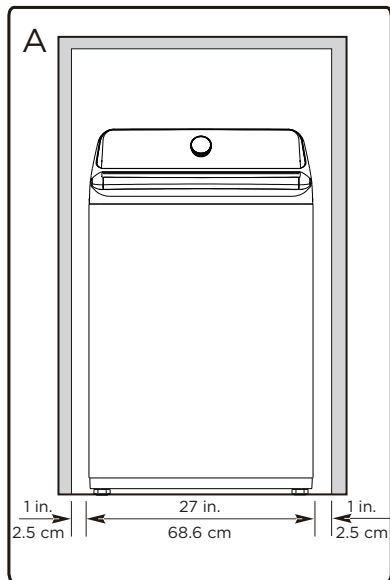


Installing in an alcove or closet

Minimum clearances between your washer and adjacent walls or other surfaces are:

- **Either side:** 1 in. (2.5 cm)
- **Rear:** 6 in. (15.2 cm)
- **Closet Front:** 2 in. (5.1 cm)
- **Top:** 24 in. (61 cm)
- **Gap between the end of water valve and the wall:** 6 in. (15.2 cm)

If you install your washer and dryer side-by-side in a closet, the closet front must have an unobstructed air opening of at least 72 square inches (465 square cm).



A. Recessed area

B. Side view - closet or confined area

WARNING

- Appliance is located on a hard, level surface without carpeting or soft flooring that can obstruct ventilation.
- Is away from direct sunlight.
- Has adequate ventilation.
- Is not exposed to freezing temperatures (32 F or 0 °C).
- Is away from heat sources such as oil or gas.
- Has enough space so that the washer does not rest on its power cord.

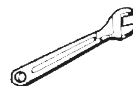
Tools you will need



Pliers



Level



Adjustable
wrench that
opens to 1"
(25 mm)

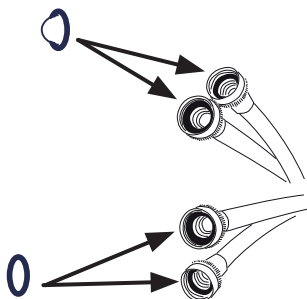
Connecting the water hoses

NOTE: The water supply hoses are not supplied with your washer and must be purchased separately.

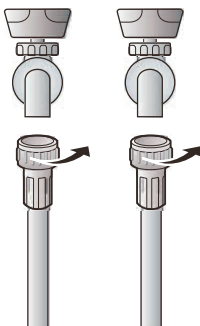
Caution

- Use new water supply hoses. Using old hoses can result in leakage or overflow that can damage your property.
- Do not connect multiple water supply hoses together to increase the length of the hose. Hoses connected this way can leak and cause electrical shock. If a hose is too short, replace the hose with a longer, high-pressure hose.

1. Make sure that there are rubber washers inside the fittings at both ends of each new water hose. Remove the rubber washers in faucet side and replace with filters. Installing the water supply hoses without rubber washers can cause water leakage.



2. Tighten the hose and faucet fittings by hand until they are snug, then tighten them an additional two-thirds of a turn with pliers or a wrench. Pull the water supply hoses downwards to make sure that they are connected securely.



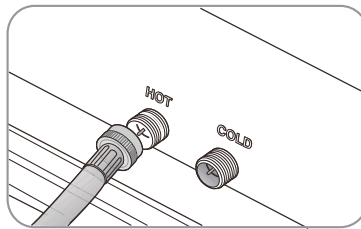
Caution

Do not overtighten the fittings or apply tape or sealant to the faucets or water supply intake. This can damage the fittings.

3. Place the unconnected ends of the hoses into a bucket and turn on the faucets connected to the water supply hoses for 10 or 15 seconds to remove any foreign substances. Turn off the faucets.



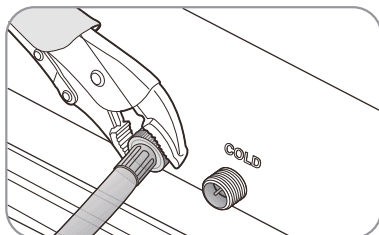
4. Connect the ends of the water supply hoses to the water supply intake connections at the top of the washer. Make sure that the rubber washers are in place. The water supply hose connected to the hot faucet must be connected to the hot water supply intake and the water hose connected to the cold faucet must be connected to the cold water supply intake.



NOTE: If you do not want to use the hot water supply hose, insert a water intake cap into the hot water supply intake hole. In this case you must select the Tap Cold option for the water temperature.

NOTE: No intake cap is provided with your washer. It must be purchased separately.

5. Tighten the fittings by hand until they are snug, and then tighten them an additional two-thirds of a turn with a pliers.



 **Caution**

- Do not overtighten the fittings or apply tape or sealant to the faucets or water supply intakes. This can damage the fittings.
- Make sure that the water supply hoses are not twisted or bent. A bent or twisted hose can leak and cause an electric shock due to the water leakage. To ensure the correct water usage, connect both hot and cold water faucets. If either or both are not connected, an error code could occur.

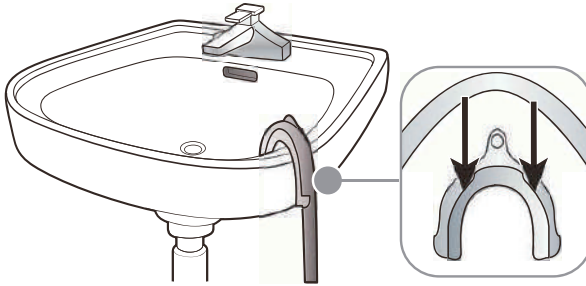
6. Turn on the hot and cold water supplies and check all the water supply intake connections and the faucets for water leaks.

Connecting the drain hoses

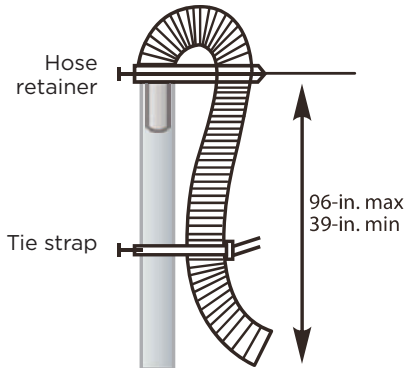
Caution

Make sure that the connection between the drain hose and the wash basin, standpipe or laundry tub is not airtight.

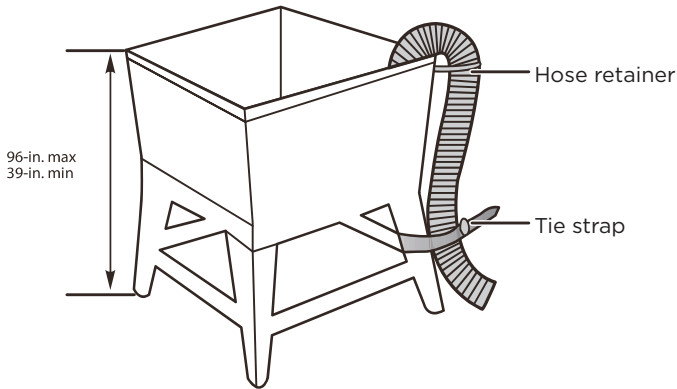
- **Over the edge of wash basin** - Secure the guide to the side of the basin wall with a hook, tape it or tie it with a piece of cord to prevent the drain hose from moving.



- **In a standpipe** - The standpipe must be no shorter than 39 in. (99 cm) and no longer than 96 in. (244 cm).



- **In a laundry tub** - The laundry tub must be no shorter than 39-in. (99 cm) and no higher than 96-in. (244 cm) maximum.



Level your washer

Caution

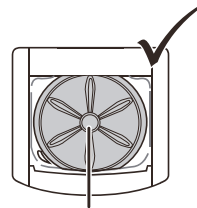
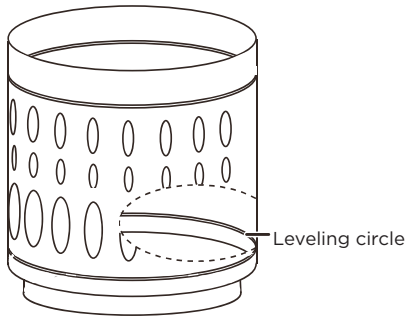
Do not use your washing machine without leveling. If your washer is not level, it may:

- Vibrate excessively which can cause your washer to malfunction.
- Make excessive noise.
- Indicate error codes when the washer is running.

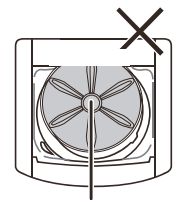
Extend the leveling feet only as much as is necessary. If the feet are extended too much, your washer may vibrate.

Determine if the washer is level by checking the position of the tub or by using a level.

1. Slide the washer into position.
2. Open the lid of the washer, then pour water into the tub to the leveling circle. If the washer is level, the water will touch the leveling circle all the way around. If the washer is not level, the water will only touch part of the leveling circle.

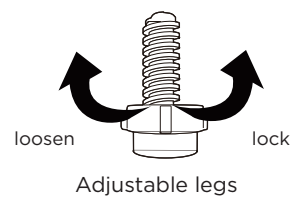
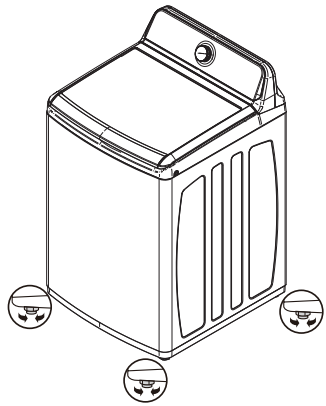


Washer is level - the water touches the leveling circle all the way around.



Washer not level - the water does not touch the leveling circle all the way around.

3. If your washer is not level, carefully tilt your washer just enough to adjust the leveling feet on the bottom of your washer. Extend the feet only as much as is necessary. If the feet are extended too much, your washer may vibrate.



Power on

Plug the power cord into a well-grounded, 3-prong, 120 Volt 60 Hz approved electrical outlet, protected by a 15-amp fuse or comparable circuit breaker. Your washer is grounded through the third prong of the power cord.

Run a test cycle

Run a test cycle to make sure that your washer is properly installed.

1. Load about 6 pounds (2.7 kg) of laundry into the tub.
2. Select the **Cycles** knob to turn on your washer.
3. Turn the cycle selector to select the **Rinse & Spin** cycle.
4. Press the **Start Pause** button to start the test cycle. Your washer should not rock or vibrate excessively when water fills the tub or when washing or spinning. The washer should drain well during the spin cycle.

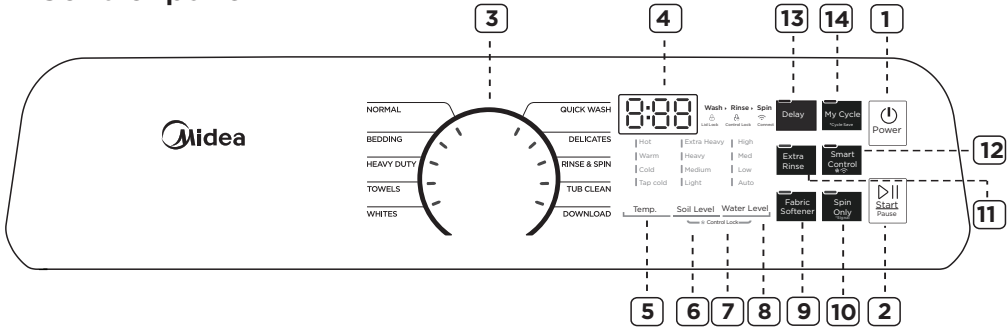


Caution

- If you detect any water leaks while the washer is filling or draining, check the water connections. See **Connect the water hoses** on page 19 or **Connect the drain hose** on page 22.
- If the washer rocks and/or vibrates excessively, level it again. See **Level your washer** on page 23.

WASHER USE

Control panel



1 POWER

Press to turn on your washer. Press again to turn off your washer. If you leave your washer on and do not press the **START PAUSE** button within 10 minutes, your washer will automatically turns off.

2 START PAUSE

Press once to start the wash cycle. Press again to pause the cycle. If you pause the cycle, you can add or remove items, but you cannot change any settings. Press again to restart the cycle.

3 Cycle selector

Turn to select a wash cycle. The cycle you select determines the wash pattern for the cycle. For more information, see **Washer options and settings** on page 34.

4 Digital display

The initial display is the total time for the cycle you select.

While your washer is running, the display shows the cycle process and time remaining in the cycle.

NOTE: the time shown is an estimate based on normal operating conditions. External factors (such as the load size, room temperature, incoming water temperature, and water pressure) can affect actual time.

If you set a delay time for the start of the cycle, the display shows the time when the cycle will start.

5 Temp.

Press to select the washing water temperature. The rinse water temperature is always cold.

6 Soil Level

Press to select the soil level. Different soil levels result in different washing times and wash cycle settings. For more information, see **Washer options and settings** on page 34.

7 Control Lock

Press and hold the **Soil Level** and **Water Level** buttons at the same time for 3 seconds to turn on the child lock function. Press and hold these buttons again for 3 seconds to turn off the function. When the child lock function is turned on, the only button that works is the **POWER** button and the **Soil Level** and **Water Level** buttons you use to turn off.

8 Water Level

Press to select the water level, washing times and wash cycle setting. For more information, see **Program function** on Page 34.

9 Fabric Softener

Add liquid fabric softener to the fabric softener compartment, and then press this button. The fabric softener will be added to the cycle at the correct time.

10 Spin Only/Signal


Press to select the Spin Only. This function will drain water and spin. Press again to cancel.

Hold button for 3 seconds to turn on end of cycle signal. Press again for 3 seconds to cancel.

11 Extra Rinse


Press to add an extra rinse to the wash cycle. Press again to cancel.

12 Smart Control

Press [] 3 seconds to connect your washer to the SmartHome APP on your phone.

See Page 35 for instructions on downloading the SmartHome APP.

This is the wireless network switch, if you want to make your appliance connect to the internet, you need turn on this button.

After connecting your device to wireless network, press [] once , indicating that it has entered the remote control state.

Smart phone smart control should meet the following conditions:

1. The appliance should connect to the internet;
2. The door of drum should be closed.

Remark:

- If the door is open in anytime, the smart control function will be failure.
- The smart control function is turned off at the end of each cycle automatically, if you want to use smart control function again, you need turn on it again.

13 Delay

Press to select a time when you want the cycle to begin. You can set the time up to 24 hours in advance in one-hour increments. The display shows the time when the cycle will start. For more information, see **Set a delayed start time** on page 31.

14 My Cycle

Press and hold for 3 seconds to remember your favorite washing cycle. Press once to load your favorite cycle settings.

Washing a load of laundry

WARNING

To reduce the risk of fire, electric shock, or injury to persons, read the **SAFETY INSTRUCTIONS** before operating this appliance.

Selecting a detergent

Your washer is designed to use high efficiency (HE) detergents.

- For the best cleaning results, use an HE detergent. We recommend that you do not use a regular detergent. HE detergents contain suppressors that reduce or eliminate suds. When fewer suds are produced, the load tumbles more efficiently and cleaning is maximized.
- Reducing the amount of detergent may reduce the quality of cleaning. Make sure that you:
 - Pre-treat stains.
 - Sort carefully by colour and soil level.
 - Avoid overloading.

1. Turn on your washer

Press the **Power** button to turn on your washer. Your washer's initial settings are:

- **Normal** on cycle selector with -- displayed on the digital display.
- **Medium** for the Soil Level.
- **Warm** for the **Temp.**
- **Water Level** for the **Auto.**

2. Load your washer

Caution

Before loading your laundry, make sure that you remove coins, keys, and other hard objects and close zippers. These items may damage clothes.

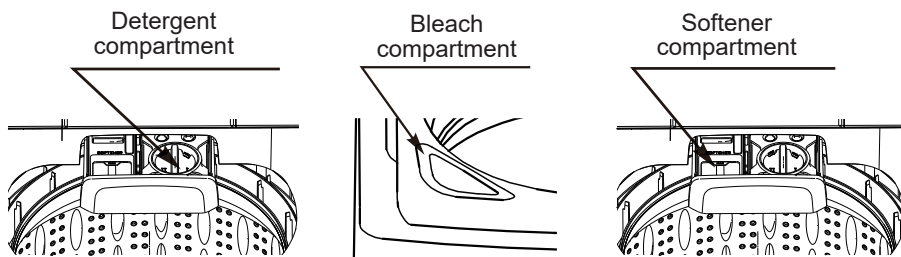
- Sort laundry by fabric type, soil level, color, and load size.
- Fill the tub with dry, unfolded clothes. Load the tub no more than 3/4 full.

NOTE:

- Overloading may reduce washing efficiency, cause excess wear, and possibly cause creasing or wrinkling of the load.
- Wash delicate items such as bras, hosiery and other lingerie on the **Delicates** cycle with similar lightweight items.

- When washing big, bulky items (such as rugs or pillows) or a few smaller items (such as stuffed toys or one or two sweaters) that do not fill the tub completely, add a few towels to improve spin performance.
- Always use the **Bedding** cycle for bedding items.
- When washing heavily soiled loads, do not overload your washer to ensure good cleaning results.

2. Add detergent and additives to the compartment



Loading the liquid or powder detergent compartment

- Pour the recommended amount of laundry detergent directly into the compartment before starting your washer.
- If you are using color-safe bleach, add it with the detergent to the detergent compartment.

NOTE:

- When adding color-safe bleach with detergent, both laundry products should be in the same form (liquid).
- If the washer doesn't have a detergent compartment, add the detergent to the tub.

Loading the bleach compartment (liquid bleach only)

- Add chlorine bleach to the bleach compartment. Do not over-fill the compartment.
- There is no water inlet to the bleach dispenser, so the bleach will directly enter the tub when you pour it in.



Caution

- Avoid splashing or over-filling the compartment.
- Never pour undiluted liquid chlorine bleach directly onto the load or into the tub. Doing so can damage fabrics, by weakening of the fibers or stripping the color.

NOTE: Do not pour color-safe bleach into the bleach compartment. Instead, add it to the detergent compartment.

Loading the fabric softener compartment

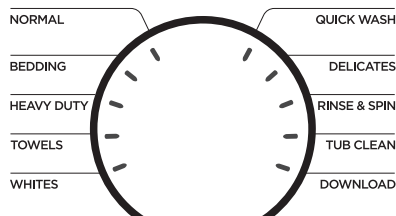
- Pour the recommended amount of liquid fabric softener into the softener compartment. The dispenser automatically releases liquid fabric softener at the correct time during the rinse cycle.

Caution

- Use the softener compartment **ONLY** for liquid fabric softeners.
- Do not use the **Downy Ball**® in the fabric softener compartment.
- Do not use liquid fabric softener that is too sticky as it may not mix with the water sufficiently.
- Be sure to select the Fabric Softener option when using fabric softener so that it is released in the rinse portion of the cycle.

3. Select the appropriate cycle and options for the load

- Turn the cycle selector to select a washing cycle. For information on wash cycles, see **Washer options and settings** on page 34.



- **Optional:** Use the control panel buttons (like Fabric Softener) to customize the washing cycle. For descriptions of buttons, see **Control panel** on page 27. For information about which buttons are available for each cycle type, see **Washer options and settings** on page 34.

4. (Optional) Set a delayed start time

You can program a wash cycle, then set a time when you want a wash cycle to begin.

- Press the **Delay** button to turn on the delay start time function.



- Press the **Delay** button repeatedly to select the delay time you want. The delay start time, in hours, will be shown on the display, in sequence, from **0** to **24**, then back to **0**. You can also press and hold the **Delay** button to quickly adjust the time until the desired time appears on the display.
- If you want to change the wash cycle settings while you are setting the delay start time, turn the cycle selector. To return to setting the delay start time function, repeat Steps 1 and 2.

NOTE:

- Once the number of delay hours is reached by pushing the **Delay** button, release the button for three seconds and it will be set. The delay light will remain on.
- After the delay time is set, if you wish to change the delay setting, press the **Delay** button again until the desired hour is reached. Release the button for three seconds and it will be set.
- If you decide to cancel the delay setting, you can either turn the cycle selector or push the **Delay** button until **0** is reached.
- Ideally, you should set your cycle before setting the Delay, because turning the cycle selector after the delay is set cancels the delay.
- **The Delay Start Time cannot be changed after the program has started.**

- To cancel the delay start time function before you save the setting, press the **Delay** button until **0** appears on the display, or turn the cycle selector knob.

IMPORTANT:

- You can change settings or cancel the delay start time function anytime before you press the **Start Pause** button by turning the cycle selector. The delay start time cannot be changed after you press the **Start Pause** button.
- If you pressed the **Start Pause** button, you can cancel the delay start time function by pressing the **Power** button to turn off your washer, then pressing the **Power** button again to turn it back on.

5. Start your washer

- Press the **Start Pause** button.

NOTE:

- If you have not set a delayed start time or if the delay time has expired, your washer starts the cycle and the **Wash** light turns on.
- As your washer moves from stage to stage in the wash cycle, the related light turns on (such as **Rinse** or **Spin**).
- If you set a delayed start time, the **Delay** light turns on and your washer starts counting down the start time.



- If you need to pause the cycle (for example to add or remove items or adjust the load), press the **Start Pause** button, then open the lid. Your washer stops. When you are ready to resume washing, close the lid, then press the **Start Pause** button.

6. Unload your laundry

When the wash cycle is complete:

- The Screen shows End.
- Your washer beeps six times after the cycle is done.
- Your washer unlocks the lid.



- Open the lid and remove the laundry.

Setting the Control Lock

Your washer has a Control Lock function to prevent children from playing with your washer. When you turn on the Control Lock, the only buttons that work are the **Power** button and the **Soil Level** and **Water Level** buttons you use to turn off the Control Lock.

- Press and hold both the **Soil Level** and **Water Level** buttons for three seconds. The Control Lock light turns on.



- To turn off the Control Lock, press and hold both the **Soil Level** and **Water Level** buttons for three seconds.

NOTE:

- If your washer is not turned on, the Control Lock can still remain set. Press the **Power** button, turn on the Control Lock function, then press the **Power** button to turn off your washer. When you want to use your washer, you need to turn off the lock function.

- If you turn on the Control Lock function while the washer lid is open, E3 appears on the display. If you do not close the lid within 20 seconds, your washer sounds an alarm, displays CL, and drains all the water in the tub. To clear the alarm, press the **Power** button to turn off your washer.

Washer options and settings

- Maximum load weight^ 18.65 lbs (8.46 kg) (Dry clothes)
- **Bolded options are initial settings.** • (dots) indicate options functions you can select.

Cycle	Fabric type	Soil level	Temp.	Water level	Delay	My Cycle	Extra rinse	Fabric softener	Smart Control	Signal
Normal	Cotton, linen Towels, Shirts Sheets, Jeans Mixed loads	Extra Heavy Heavy Medium Light	Hot Warm Cold Tap Cold	High Med Low Auto	•	•	•	•	•	•
Bedding	Large items like blankets and comforters	Extra Heavy Heavy Medium Light	Hot Warm Cold Tap Cold	High Med Low Auto	•	•	•	•	•	•
Heavy Duty	Heavily soiled cotton fabrics	Extra Heavy Heavy Medium Light	Hot Warm Cold Tap Cold	High Med Low Auto	•	•	•	•	•	•
Towels	Towels	Heavy Medium Light	Hot Warm Cold Tap Cold	High Med Low Auto	•	•	•	•	•	•
Whites	White Fabric	Extra Heavy Heavy Medium Light	Hot Warm Cold Tap Cold	High Med Low Auto	•	•	•	•	•	•
Quick Wash	Lightly soiled and small loads	Medium Light	Hot Warm Cold Tap Cold	Med Low	•	•	•	•	•	•
Delicates	Dress shirts Blouses Nylons Sheer/lacy	Heavy Medium Light	Hot Warm Cold Tap Cold	Med Low	•	•	•	•	•	•
Rinse & Spin			Tap Cold	High Med Low Auto	•	•	•	•	•	•
Tub Clean	See page 36	Extra Heavy	Hot	High	•	•			•	•
Spin Only					•	•			•	•
Download - Active Wear	Sportswear	Extra Heavy Heavy Medium Light	Hot Warm Cold Tap Cold	High Med Low Auto	•	•	•	•	•	•
Download - Baby Care	Infants' wear	Heavy Medium Light	Hot Warm Cold Tap Cold	High Med Low	•	•	•	•	•	•
Download - Prem Press	Chemical fiber cloth	Heavy Medium Light	Warm Cold Tap Cold	High Med Low Auto	•	•	•	•	•	•
Download - Sanitize	Sterilization sustained 60 C	Extra Heavy Heavy Medium Light	Hot Warm Cold Tap Cold	High Med Low Auto	•	•	•	•	•	•

Download

You can click to select a cycle and set it as a panel cycle. This cycle will be synchronized to the "download" cycle labeled on your wash panel, making it convenient for you to use quickly.

Smart Control

Use Your Appliance with the SmartHome App

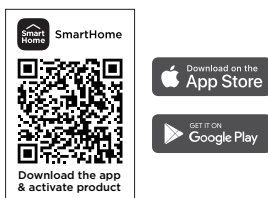
Before you start, make sure that:

1. Your smartphone is connected to home wireless network, and you know the network password.
2. Make sure you are near the home appliance.
3. The 2.4GHz band wireless signal is enabled on your wireless router.

Follow the below steps to enter the remote control state

Download the SmartHome app

On an app market (Google Play Store, Apple App Store), search for "SmartHome" and find the SmartHome app. Download and install it on your phone. You can also download the app by scanning the QR code below.



Register and log in

Open the SmartHome app, and create a new account to start (you can also register through a third-party account). If you already had an existing account, use the account to log in.

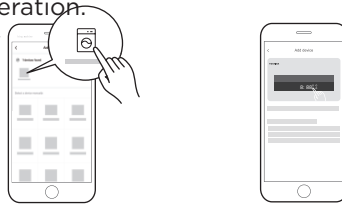


Connect your devices to SmartHome

1. Please make sure your mobile phone is connected to wireless network. If not, go to Settings and turn on the wireless connection, select and connect to a wireless network. Also please turn on the Bluetooth on your phone. If not, go to Settings and turn it on.
2. Please power on your devices.
3. Open SmartHome app on your phone.
4. If a message of "Smart devices discovered nearby" appears, click to add.
5. If no message appears, select "+" on the page and select your device in the list of nearby devices available. If your device is not listed, please add your device manually by the device category and device model.




6. Connect your device to wireless network according to the instructions on app, if the connection fails, please follow the instructions provided by the app to continue with the operation.



7. Start the remote control
Press smart control button once on the washer, then the machine will enter the remote control state and you can start the machine remotely, which means it has entered the remote control state and you can start to control remotely.


WiFi Status Light

	Slowly flashing	Waiting for connection
	Quickly flashing	Connecting
	Light is on	Connected to your wireless router

Note!

- Make sure your devices are powered on.
- Keep your mobile phone close enough to your device when you are connecting network to your device.
- Connect your mobile phone to the wireless network at home, and make sure you know the password of the wireless network.
- Check if your router supports 2.4 GHz wireless network band and turn it on. If you are not sure whether the router supports 2.4 GHz band, please contact the router manufacturer.
- The device cannot connect to the wireless network that requires authentication, and it usually appears in public area such as hotels, restaurants, etc. Please connect to a wireless network that does not require authentication.
- It is recommended to use a wireless network name that only contains letters and numbers.
- If your wireless network name contains special characters, please modify it in the router.
- Turn off the WLAN+ (Android) or WLAN Assistant (iOS) function of your mobile phone when connecting network to your devices.
- In the case that your device connected to wireless network before but it needs to reconnect, please click "+" on app Home page, and add your device again by the category and model according to the instructions on app.
- Operating Temperature: -20 C ~85 C
- The Max RF Output Power: wireless network : E.I.R.P.: 18dBm, Bluetooth LE: 10dBm. Frequency band of operation:2400-2483.5MHz

Procedures to reset the WiFi configuration.

1. Press [] 3 seconds to turn on the WiFi function and re-enter the network configuration process.
- 2 “AP” will be displayed on the digital display.
3. Reconnect to the network based on the content of previous page.

WASHER CARE

Caution

Turn off the water faucets after final use. This shuts off the water supply to your washer and prevents the possibility of damage from escaping water. Leave the lid open to let the inside of your washer dry out.

WARNING

Certain internal parts are intentionally not grounded and may present a risk of electric shock only during servicing. Service Personnel – Do not contact the following parts while the appliance is energized: Electrical Valve, Drain Pump and Main Motor and Retractor.

CLEANING AND MAINTENANCE

Cleaning the exterior

Use a soft cloth to wipe up all detergent, bleach, or other spills as they occur.

Cleaning the interior

- Clean the interior of your washer periodically to remove any dirt, soil, odor, mold, mildew, or bacterial residue that may remain in your washer as a result of washing clothes.
- Failure to follow these instructions may result in unpleasant conditions, including odors or permanent stains in your washer or on your laundry.
- To remove hard water deposits, use a cleaner labeled "Washer safe".

Cleaning the control panel

- Clean with a soft, damp cloth. Do not use abrasive powders or cleaning pads.
- Do not spray cleaners directly on the panel. The control panel finish may be damaged by some laundry pre-treatment soil and stain remover products. Apply such products away from your washer and wipe up any spills or over-spray immediately.

Cleaning the detergent, bleach, or softener compartment

- Clean with a soft, damp cloth. Do not use abrasive powders or cleaning pads.
- Do not spray cleaners directly on the panel. The control panel finish may be damaged by some laundry pre-treatment soil and stain remover products. Apply such products away from your washer and wipe up any spills or over-spray immediately.

Cleaning the tub

The **Tub Clean** cycle is a self-cleaning cycle that removes the causes of odors that may occur inside your washer without using a cleaning agent. We suggest cleaning the tub about once a month.

 **Caution**

Never use the tub clean cycle when laundry is in your washer. This may damage the laundry or your washer.

- With the tub empty, add one cup of chlorine bleach to the bleach dispenser.
- Turn the control knob to power on.
- Turn the cycle selector to **Tub Clean**. With the tub empty, add one cup of chlorine bleach to the bleach dispenser.
- Press the **Start Pause** button.

Storing your washer

You can damage your washer if you do not remove water from hoses and internal components before storage.

To prepare your washer for storage:

- Select the **Quick Wash** cycle and add bleach to the washer. Run your washer through the cycle without a load.
- Turn the water faucets off and disconnect the inlet hoses.
- Unplug your washer from the electrical outlet and leave your washer lid open to let air circulate inside the tub.

 **Caution**

If your washer has been stored in below-freezing temperatures, allow time for any leftover water in your washer to dry out before use.

BEFORE YOU CALL FOR SERVICE...

Troubleshooting Tips

Save time and money! Review the charts on the following pages first and you may not need to call for service.

Problem	Solutions
Washer does not start	<ul style="list-style-type: none"> • Make sure that your washer is plugged in. • Make sure that the lid is closed. • Make sure that the water source faucets are open. • Make sure that you press the Start Pause button to start your washer. • Before your washer starts to fill, it makes a series of clicking noises to make sure that the lid is locked and to do a quick drain. • Make sure that the Child Lock is not activated. See Setting the Control Lock on page 33. • Make sure that the Delay option is not turned on. See (Optional) Set a delayed start time on page 31. • Check the fuse or reset the circuit breaker.
No water or not enough water	<ul style="list-style-type: none"> • Make sure that both faucets are fully turned on. • Make sure that the water pressure is in the range listed in Water requirements on page 14. • Make sure that the water inlet hoses are not kinked. Straighten if necessary. • Disconnect the hoses and clean the screens. The hose filter screens may be clogged.
When washer has excessive vibration or noise	<ul style="list-style-type: none"> • Make sure that your washer is set on a level surface. If the surface is not level, adjust your washer's feet to level your washer. • Make sure that your washer is not touching any other object. • Make sure that the laundry load is balanced. • During the spin process, if clothes are piled to one side of the tub, your washer may stop because of the imbalance. Your washer tries up to three times to solve the problem automatically. If the washer cannot solve the problem, try to manually redistribute clothes inside the tub.

Problem	Solutions
Washer stops	<ul style="list-style-type: none"> • Make sure that the power outlet is a working outlet. • Check the fuse or reset the circuit breaker. • Close the lid, then press the Start Pause button to start your washer. For your safety, your washer does not spin unless the lid is closed. • Before your washer starts to fill, it makes a series of clicking noises to make sure that the lid is locked and to do a quick drain. • Sometimes your washer may pause between stages in the cycle. Wait to see if your washer starts again. • Disconnect the inlet hoses and clean the screens periodically. The hose filter screens may be clogged.
Lid is locked or will not open	<ul style="list-style-type: none"> • Press the Start Pause button to pause the washer. You cannot open the lid if the washer is running. • After you pause the washer, it may take a few seconds for the lid lock to release. • If the lid is locked when your washer is not running, press the Power button to turn on your washer. • If power fails while your washer is running, when power is restored, the lid unlocks. Your washer waits three minutes then runs the rest of the cycle.
Washer does not drain or spin	<ul style="list-style-type: none"> • Check the fuse or reset the circuit breaker. • Close the lid, then press the Start Pause button to start your washer. For your safety, your washer does not spin unless the lid is closed. • Make sure that the drain hose is not kinked. Straighten as necessary. • Make sure that the height of the drain hose is within specified limits. See Drainage requirements on page 14. • The pipes to your sewer system may be clogged. Contact a plumber or qualified repair professional.
The water temperature is not correct	<ul style="list-style-type: none"> • Make sure that you have selected the correct temp. • Make sure that the water source faucets are fully opened. • Make sure that the hoses are connected to the correct faucet and water intake connections on your washer, then flush the lines. See Connect the water hoses on page 19. • Disconnect the hoses and clean the screens. The hose filter screens may be clogged.

- Safety Instructions
- Features
- Operation Requirements
- Installation Instructions
- Washer Use
- Washer Care
- Troubleshooting

Problem	Solutions
Load is too wet at the end of the cycle	<ul style="list-style-type: none"> • Use a high-efficiency detergent to reduce over-sudsing. See Selecting a detergent on page 29. • The load may be too small. Very small loads (one or two items) may become unbalanced and not spin out completely.
Water leaks	<ul style="list-style-type: none"> • Make sure that all hose connections are tight. See Connect the water hoses on page 19 and Connect the drain hose on page 22. • Make sure that the end of the drain hose is correctly inserted and secured to the drainage system. See Connect the drain hose on page 21. • Avoid overloading. • Use a high-efficiency detergent to reduce over-sudsing. See Selecting a detergent on page 29.
Oversuds condition	<ul style="list-style-type: none"> • Use a high-efficiency detergent to reduce over-sudsing. See Selecting a detergent on page 29. • If you have "soft" water, reduce the amount of detergent. • For small or lightly soiled loads, reduce the amount of detergent.
Prevent odor	<ul style="list-style-type: none"> • Periodically run a Tub Clean cycle to clean the tub. See Cleaning the tub on page 38. • Use a high-efficiency detergent to reduce over-sudsing. Excessive suds collect in nooks and crannies and cause odor. See Selecting a detergent on page 29. • Dry the interior of your washer after the total cycle has finished.

ERROR CODES

Description	Reason	Solutions
E1	Your washer takes more than 30 minutes to fill With water at the low water level, 45 mins at medium water level, or 60mins at the high water level.	<ul style="list-style-type: none"> • Make sure that the lid is not open. • Make sure that water is not leaking. See No water or not enough water on page 40. • Contact Midea service center.

Description	Reason	Solutions
E1	After water finishes enter your washer, the water level has not changed in 10 mins.	<ul style="list-style-type: none"> • Make sure that the lid is not open. • Make sure that water is not leaking. See No water or not enough water on page 40.
E2	The unit takes more than 10 minutes to drain.	<ul style="list-style-type: none"> • See Washer does not drain or spin on page 41.
E3	The lid is open. The washer is not level.	<ul style="list-style-type: none"> • Close the lid. • Level the washer see Level your washer on page 23.
E4	Your washer is out of balance more than three times in spin operation.	<ul style="list-style-type: none"> • Relevel the load, if can not solve, Contact Midea service center.
E5	Your washer is not level. Impact switch failed.	<ul style="list-style-type: none"> • Adjust the washer level refer to installation. • If the situation continues call Midea service center.
F2	The EEPROM failed	<ul style="list-style-type: none"> • Contact Midea service center.
F5	Load sensing failed.	<ul style="list-style-type: none"> • Contact Midea service center.
F8	Water level sensor failed.	<ul style="list-style-type: none"> • Contact Midea service center.
Fd	Lid lock failed.	<ul style="list-style-type: none"> • Contact Midea service center.
C9	The PCB failed.	<ul style="list-style-type: none"> • Contact Midea service center.
CL	The lid has been open for over 20 seconds with the Control Lock function activated.	<ul style="list-style-type: none"> • Press the Power button to turn off your washer. • Turn off the Child Lock function see Setting the Control Lock on page 33. • Contact Midea service center.

MIDEA LAUNDRY WASHER LIMITED WARRANTY

ATTACH YOUR RECEIPT HERE. PROOF OF PURCHASE IS REQUIRED TO OBTAIN WARRANTY SERVICE.

Please have the following information available when you call the Customer Service Center:

- Name, address and telephone number
- Model number and serial number
- A clear, detailed description of the problem
- Proof of purchase including dealer or retailer name and address

IF YOU NEED SERVICE:

1. Before contacting us to arrange service, please determine whether your product requires repair. Some questions can be addressed without service. Please take a few minutes to review the Troubleshooting section of the User Manual, or visit <http://us.Midea.com/support>
2. All warranty service is provided exclusively by our authorized Midea Service Providers, in the U.S. and Canada.

Midea Customer Service

In the U.S.A. or Canada, call 1-866-646-4332 or email customerserviceusa@midea.com.

If outside the 50 States of the United States or Canada, contact your authorized Midea dealer to determine whether another warranty applies.

LIMITED WARRANTY

WHAT IS COVERED

FIRST YEAR LIMITED WARRANTY (PARTS AND LABOR)

For one year from the date of purchase, if this major appliance is installed, operated and maintained according to instructions attached to or furnished with the product, Midea America Corporation (hereafter "Midea") will pay for factory specified replacement parts and repair labor to correct defects in materials or workmanship that existed when this major appliance was purchased, or at its sole discretion replace the product. In the event of product replacement, your appliance will be warranted for the remaining term of the original unit's warranty period.

LIFETIME LIMITED WARRANTY (STAINLESS STEEL TUB)

For the lifetime of the product from the date of original purchase, when this major appliance is installed, operated and maintained according to instructions attached to or furnished with the product, Midea will pay for factory specified parts and repair labor for the following components to correct non-cosmetic defects in materials or workmanship that existed when this major appliance was purchased:

- Stainless steel tub

YOUR SOLE AND EXCLUSIVE REMEDY UNDER THIS LIMITED WARRANTY SHALL BE PRODUCT REPAIR OR REPLACEMENT AS PROVIDED HEREIN. Service must be provided by a Midea designated service company. This limited warranty is valid only in the 50 States of the United States or Canada and applies only when the major appliance is used in the country in which it was purchased. This limited warranty is effective from the date of original consumer purchase. Proof of original purchase date is required to obtain service under this limited warranty.

LIMITED WARRANTY

WHAT IS NOT COVERED

1. Commercial, non-residential or multiple-family use, or use inconsistent with published user, operator or installation instructions.
2. In-home Instruction on how to use your product.
3. Service to correct improper product maintenance or installation, installation not in accordance with electrical codes or correction of household electrical system (i.e. house wiring, fuses, etc.).
4. Consumable parts (i.e. light bulbs, batteries, air or water filters, etc.).
5. Defects or damage caused by the use of non-genuine Midea parts or accessories.
6. Damage from accident, misuse, abuse, fire, floods, electrical issues, acts of God or use with products not approved by Midea.
7. Repairs to parts or systems to correct product damage or defects caused by unauthorized service, alteration or modification of the appliance.
8. Cosmetic damage including scratches, dents, chips, and other damage to appliance finishes unless such damage results from defects in materials and workmanship and is reported to Midea within 30 days.
9. Routine maintenance of the product.
10. Products that were purchased "as is" or as refurbished products.
11. Products that have been transferred from its original owner.
12. Discoloration, rust or oxidation of surfaces resulting from caustic or corrosive environments including but not limited to high salt concentrations, high moisture or humidity or exposure to chemicals.
13. Pick-up or delivery. This product is intended for in-home repair.
14. Travel or transportation expenses for service in remote locations where an authorized Midea servicer is not available.
15. Removal or reinstallation of inaccessible appliances or built-in fixtures (i.e. trim, decorative panels, flooring, cabinetry, islands, countertops, drywall, etc.) that interfere with servicing, removal or replacement of the product.
16. Service or parts for appliances with original model/serial numbers removed, altered or not easily identified.

The cost of repair or replacement under these excluded circumstances shall be borne by the customer.

DISCLAIMER OF IMPLIED WARRANTIES

IMPLIED WARRANTIES, INCLUDING ANY IMPLIED WARRANTY OF MERCHANTABILITY OR IMPLIED WARRANTY OF FITNESS FOR A PARTICULAR PURPOSE, ARE LIMITED TO ONE YEAR OR THE SHORTEST PERIOD ALLOWED BY LAW. Some states and provinces do not allow limitations on the duration of implied warranties of merchantability or fitness, so this limitation may not apply to you. This warranty gives you specific legal rights, and you also may have other rights that vary from state to state or province to province.

DISCLAIMER OF REPRESENTATIONS OUTSIDE OF WARRANTY

Midea makes no representations about the quality, durability, or need for service or repair of this major appliance other than the representations contained in this warranty. If you want a longer or more comprehensive warranty than the limited warranty that comes with this major appliance, you should ask Midea or your retailer about buying an extended warranty.

LIMITATION OF REMEDIES; EXCLUSION OF INCIDENTAL AND CONSEQUENTIAL DAMAGES

YOUR SOLE AND EXCLUSIVE REMEDY UNDER THIS LIMITED WARRANTY SHALL BE PRODUCT REPAIR AS PROVIDED HEREIN. MIDEA SHALL NOT BE LIABLE FOR INCIDENTAL OR CONSEQUENTIAL DAMAGES. Some states and provinces do not allow the exclusion or limitation of incidental or consequential damages, so these limitations and exclusions may not apply to you. This warranty gives you specific legal rights, and you also may have other rights that vary from state to state or province to province.

Midea REGISTRATION INFORMATION

PROTECT YOUR PRODUCT:

We will keep the model number and date of purchase of your new Midea product on file to help you refer to this information in the event of an insurance claim such as fire or theft.

Product registration is not mandatory. Failure to complete and return the card or form does not diminish the consumer's warranty rights.

Register online at **<https://us.midea.com/product-registration>**

*Please consider leaving a customer review at **www.midea.com**.*

Midea America Corp.
5 Sylvan Way
Parsippany, NJ 07054
Customer Service 1-866-646-4332

Made in China

**Free 3 months
extension*** of the
original limited warranty
period! Simply text a
picture of your proof of
purchase to:

1-844-224-1614

*The warranty extension is for the
three months immediately following
the completion of the products
original warranty period.



make yourself at home



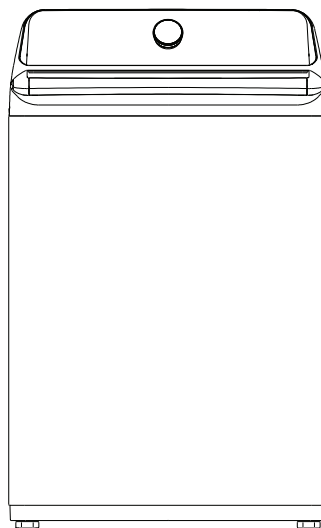
Lavadora de carga superior

Fuente de alimentación:
120 V-
Frecuencia: 60 Hz

Advertencia:
Antes de utilizar este producto, lea atentamente este manual y guárdelo para consultarlo posteriormente. El diseño y las especificaciones están sujetos a cambios sin previo aviso para mejoras de los productos. Consulte con su distribuidor o fabricante para obtener más información.

versión A

MANUAL DEL USUARIO E INSTRUCCIONES DE INSTALACIÓN



Extensión gratuita de 3 meses* del período de la garantía limitada original. Simplemente envíe una foto de su comprobante de compra por mensaje de texto al:

1-844-224-1614

*La extensión de la garantía es por los tres meses inmediatamente después de la finalización del período de la garantía original del producto.

NÚMEROS DE MODELO
MLTW44A4BWW
MLTW45M4BWW
www.midea.com

Estimado usuario

GRACIAS por permitir que Midea le ayude a “hacerlo sentir en casa”. Este manual es parte de nuestro compromiso con su satisfacción total. Lea detenidamente este manual antes de utilizar este producto, y guárdelo en un lugar conveniente para su consulta futura.

Para ayudarnos a brindarle un mejor servicio, considere registrar su producto con nuestra práctica aplicación Midea MSmartlife, visitando **www.midea.com** o enviando por mensaje de texto una foto de su comprobante de compra al 1-844-224-1614.

INSTRUCCIONES DE SEGURIDAD	4
CARACTERÍSTICAS	11
Contenido del paquete	11
Componentes principales	12
REQUISITOS DE OPERACIÓN.....	13
Requisitos eléctricos.....	13
Requisitos de agua	14
Requisitos de desagüe	14
INSTRUCCIONES DE INSTALACIÓN	15
Desembalaje de la lavadora	15
Elegir una ubicación.....	16
Herramientas que necesitará.....	18
Conecte las mangueras de agua.....	19
Conecte las mangueras de desagüe.....	22
Nivele la lavadora	23
Encendido	24
Ejecute un ciclo de prueba.....	25
USO DE LA LAVADORA.....	26
Panel de control.....	26
Lavado de una carga de ropa.....	29
Seleccionar un detergente.....	29
Configuración del bloqueo de control.....	33
Opciones y ajustes de la lavadora	34

CUIDADO DE LA LAVADORA	38
Limpieza y mantenimiento	38
ANTES DE LLAMAR AL SERVICIO TÉCNICO	40
Consejos para la resolución de problemas	40
Códigos de error.....	42
GARANTÍA.....	44
REGISTRO DEL PRODUCTO.....	46

LEA Y GUARDE ESTAS INSTRUCCIONES PARA CONSULTA FUTURA

Este manual contiene información importante sobre la instalación, el uso y el cuidado de su electrodoméstico. Lea este manual cuidadosamente antes de instalar y usar esta secadora para evitar lesiones y daños materiales.

Las advertencias e instrucciones de seguridad importantes de este manual NO abarcan todas las condiciones y situaciones posibles que puedan ocurrir. Es su responsabilidad usar el sentido común, la precaución y el cuidado al instalar, mantener y operar la lavadora.



PRECAUCIÓN
RIESGO DE DESCARGA ELÉCTRICA
NO ABRIR



INSTRUCCIONES DE SEGURIDAD

SU SEGURIDAD Y LA SEGURIDAD DE LOS DEMÁS ES MUY IMPORTANTE

Para prevenir lesiones del usuario y otras personas y daños materiales, se deben seguir las instrucciones que se muestran debajo. El funcionamiento incorrecto por ignorar las instrucciones puede causar daños o heridas, e incluso la muerte.

El nivel de riesgo se muestra mediante las siguientes indicaciones.



ADVERTENCIA

Esto indica que los peligros o las prácticas inseguras pueden provocar lesiones personales graves o la muerte. Para reducir el riesgo de incendio, explosión, descarga eléctrica, o lesiones personales al usar la lavadora, DEBE seguir estas precauciones de seguridad básicas.



PRECAUCIÓN

Esto indica que los peligros o las prácticas inseguras pueden provocar lesiones personales menores o daños a la propiedad.



ADVERTENCIA

Este símbolo indica que hay instrucciones importantes de funcionamiento y mantenimiento en la documentación que acompaña la lavadora.



ADVERTENCIA

Advertencias de la Propuesta 65 del Estado de California.

La Ley de Cumplimiento sobre Agua Potable y Tóxicos de California requiere que el Gobernador de California publique una lista de sustancias conocidas por el Estado de California como causantes de cáncer, defectos congénitos u otros daños reproductivos, y requiere que las empresas adviertan sobre la posible exposición a tales sustancias. Este producto contiene un producto químico conocido por el Estado de California como causante de cáncer, defectos congénitos u otros daños reproductivos. Este aparato puede causar una exposición de bajo nivel a algunas de las sustancias enumeradas, como el benceno, el formaldehído y el monóxido de carbono. Cáncer y daños reproductivos - www.P65Warnings.ca.gov.



ADVERTENCIA

No almacene ni use gasolina u otros vapores y líquidos inflamables cerca de este o de cualquier otro aparato.

INSTRUCCIONES DE SEGURIDAD IMPORTANTES

ADVERTENCIA

- Lea todas las instrucciones antes de utilizar el aparato.
- Utilice este dispositivo únicamente para el propósito previsto como se describe en este Manual del propietario.
- Antes del uso, el aparato debe instalarse correctamente como se describe en este manual.
- Siga SIEMPRE las instrucciones de cuidado de tela proporcionadas por el fabricante de la prenda.
- No lave los artículos que hayan sido previamente limpiados, lavados, empapados o manchados con gasolina, disolventes de tintorería u otras sustancias inflamables o explosivas, ya que desprenden vapores que podrían encenderse o explotar.
- No permita que los niños jueguen sobre el aparato ni dentro del mismo. Es necesaria una atenta supervisión de los niños cuando se utiliza el aparato cerca de ellos.
- Antes de retirar el aparato del servicio o desecharlo, retire la tapa del compartimento de lavado.
- No meta las manos en el aparato si la tina está en movimiento.
- No instale ni almacene este aparato en lugares donde esté expuesto a las condiciones climáticas o temperaturas de congelación.
- No altere los controles.
- No repare ni reemplace ninguna pieza del aparato ni intente realizar ningún mantenimiento a menos que se recomiende específicamente en las instrucciones de mantenimiento del usuario o en las instrucciones de reparación del usuario publicadas que comprenda.
- El gas hidrógeno es explosivo. Si el sistema de agua caliente no se ha utilizado durante dos semanas o más, antes de usar una lavadora, encienda todos los grifos de agua caliente y deje que el agua fluya de cada uno durante varios minutos. Esto liberará cualquier gas hidrógeno acumulado. El gas es inflamable, así que no fume ni use una llama abierta durante este tiempo.
- Mantenga el área debajo y alrededor de su aparato libre de materiales combustibles (pelusa, papel, trapos, etc.), gasolina, productos químicos y otros vapores y líquidos inflamables.
- No coloque artículos expuestos al aceite de cocina en la lavadora. Los artículos contaminados con aceite de cocina pueden contribuir a una reacción química que podría hacer que una carga se incendie.
- Esta lavadora no está diseñada para el uso marítimo ni para instalaciones móviles como en autocaravanas, aeronaves y otras plataformas móviles.
- Cierre los grifos de agua y desenchufe la lavadora si la máquina se dejará desatendida durante un período de tiempo prolongado, tal como durante las vacaciones.
- El material de embalaje puede ser peligroso para los niños. ¡Existe un riesgo de asfixia! Mantenga todo el embalaje lejos del alcance de los niños.
- Revise siempre el interior de la lavadora en busca de objetos extraños antes de cargar la ropa. Mantenga la tapa cerrada cuando no esté en uso.



ADVERTENCIA

- Conecte el cable de alimentación a un tomacorriente de 120 V/60 Hz de CA con una potencia nominal de 15 amperios o superior. Utilice el enchufe solo para esta lavadora. No utilice un cable de extensión.
 - Compartir un tomacorriente con otro aparato, usando una regleta, o extender el cable de alimentación, puede provocar una descarga eléctrica o un incendio.
 - No utilice un transformador eléctrico. Puede provocar una descarga eléctrica o un incendio.
 - Asegúrese de que el voltaje, la frecuencia y la corriente de alimentación coincidan con las especificaciones del producto. Si no lo hace, puede producirse una descarga eléctrica o un incendio.
- Retire todas las sustancias extrañas, como el polvo o el agua, de los terminales del enchufe y los puntos de contacto utilizando un paño seco de forma regular.
 - Desconecte el enchufe y límpielo con un paño seco.
 - Si no lo hace, puede producirse una descarga eléctrica o un incendio.
- Conecte el enchufe al tomacorriente en la dirección correcta para que el cable vaya hacia el piso.
 - Si conecta el enchufe al tomacorriente en la dirección opuesta, pueden dañarse los cables eléctricos dentro del cable y esto puede provocar una descarga eléctrica o un incendio.
- Conecte firmemente el enchufe al tomacorriente. No utilice un enchufe dañado, o un tomacorriente suelto, ya que esto puede provocar una descarga eléctrica o un incendio.
- No jale ni doble excesivamente el cable de alimentación. No tuerza ni ate el cable de alimentación.
- No conecte el cable de alimentación sobre un objeto metálico. No coloque un objeto pesado sobre el cable de alimentación, inserte el cable de alimentación entre objetos ni empuje el cable de alimentación en el espacio detrás del aparato, ya que esto puede provocar una descarga eléctrica o un incendio.
- No tire del cable de alimentación al desconectar el enchufe.
 - Desconecte el enchufe sosteniendo el enchufe.
 - Si no lo hace, puede producirse una descarga eléctrica o un incendio.
- Si el enchufe o cable de alimentación están dañados, comuníquese con el centro de servicio más cercano.
- No la instale sobre una alfombra. Instale la lavadora sobre un piso nivelado y sólido que pueda soportar su peso. Si no lo hace, pueden producirse vibraciones, ruido o problemas anormales con el producto.
- La lavadora es pesada. Es posible que se necesiten dos o más personas para instalar y mover el aparato. Si no lo hace, pueden producirse lesiones corporales o de otro tipo.
- Almacene e instale la lavadora en un lugar donde no estará expuesta a temperaturas inferiores al punto de congelación o expuesta a condiciones climáticas al aire libre. Si no lo hace, pueden producirse daños graves por fuga.
- Coloque el aparato de modo que el enchufe sea fácilmente accesible. Si no lo hace, puede producirse una descarga eléctrica o un incendio debido a un cortocircuito eléctrico.
- El incumplimiento de todas las advertencias de seguridad en esta guía puede provocar daños a la propiedad o lesiones a las personas.



ADVERTENCIA

Advertencias y precauciones de uso y mantenimiento

- Si el aparato está inundado, corte la alimentación inmediatamente y comuníquese con el centro de servicio más cercano.
- Si el aparato emite un ruido extraño, un olor a quemado o humo, desconecte el enchufe inmediatamente y comuníquese con el centro de servicio más cercano. Si no lo hace, puede producirse una descarga eléctrica o un incendio.
- En caso de una fuga de gas (como gas propano líquido [liquid propane, LP]), ventile el área inmediatamente. No encienda ni apague ningún aparato ni luz.
 - No utilice un ventilador.
 - Una chispa puede provocar una explosión o un incendio.
- No abra la tapa de la lavadora por la fuerza mientras está en funcionamiento (lavado a alta temperatura, secado o centrifugado).
 - El agua que sale de la lavadora puede causar quemaduras o causar que el piso sea resbaladizo. Esto puede provocar lesiones.
 - Abrir la tapa por la fuerza puede dañar el producto o causar lesiones.
- Asegúrese de retirar el embalaje (esponja, poliestireno extruido) que se encuentra en la parte inferior de la lavadora antes de utilizarla.
- No inserte las manos ni un objeto metálico debajo de la lavadora. Esto puede provocar lesiones.
- No intente utilizar este aparato si está dañado, no funciona correctamente, se ha desmontado parcialmente o tiene piezas faltantes o rotas, incluido un cable o enchufe dañado. Esto puede provocar una descarga eléctrica, un incendio o la muerte.
- No toque el enchufe con las manos mojadas. Esto puede provocar una descarga eléctrica.
- No apague el aparato desconectando el enchufe mientras la lavadora está en funcionamiento. Conectar el enchufe al tomacorriente de nuevo puede ocasionar una chispa y provocar una descarga eléctrica o un incendio.
- Mantenga todo el material de embalaje fuera del alcance de los niños, ya que los materiales de embalaje pueden ser peligrosos para los niños. Si un niño coloca una bolsa sobre la cabeza, puede asfixiarse.
- No permita que los niños ni las personas enfermas utilicen esta lavadora sin supervisión. Si lo hace, pueden producirse descargas eléctricas, quemaduras o lesiones.
- No intente reparar, desmontar ni modificar el aparato por su cuenta.
 - No utilice ningún fusible (como cobre, alambre de acero, etc.) que no sea el fusible estándar.
 - Si necesita reparar o reinstalar el aparato, comuníquese con el centro de servicio más cercano.
 - Si no lo hace, puede producirse una descarga eléctrica, un incendio, problemas con el producto o lesiones.
- Si alguna sustancia extraña, como el agua, entra en el aparato en cualquier área que no sea la tina, desconecte el enchufe y comuníquese con el centro de servicio más cercano. Si no lo hace, puede producirse una descarga eléctrica o un incendio.
- Si la manguera de suministro de agua se suelta del grifo e inunda el aparato, desconecte el enchufe. Si no lo hace, puede producirse una descarga eléctrica o un incendio.

- No mezcle el blanqueador de cloro con amoníaco ni ácidos como el vinagre. El uso incorrecto puede producir gas venenoso, lo que resulta en lesiones graves.
- No meta las manos en la lavadora mientras las piezas están en movimiento. Antes de cargar, descargar o agregar artículos, presione el botón Start Pause (Inicio/Pausa) y deje que la tina se detenga por completo antes de meter las manos. Si no lo hace, puede producirse una descarga eléctrica, lesiones o un incendio.
- No permita que los niños jueguen sobre la lavadora ni dentro de la misma. Es necesaria una atenta supervisión de los niños cuando se utiliza la lavadora cerca de los niños. A medida que crecen los niños, enséñeles el uso adecuado y seguro de todos los aparatos. Si no lo hace, pueden producirse lesiones graves.
- Mantenga los productos de lavado fuera del alcance de los niños. Observe todas las advertencias en las etiquetas del producto y sígalas. Si no lo hace, pueden producirse lesiones graves.
- Desconecte este aparato de la fuente de alimentación antes de intentar cualquier mantenimiento del usuario. Al presionar el botón de encendido, no se desconecta este aparato de la fuente de alimentación. Si no lo hace, puede producirse una descarga eléctrica, lesiones o un incendio.
- No limpie el aparato rociando agua directamente sobre él.
- No utilice benceno, diluyente ni alcohol para limpiar el aparato. Esto puede provocar decoloración, deformación, daños, descarga eléctrica o incendio.
- Desconecte el enchufe cuando no se esté utilizando el aparato durante largos períodos de tiempo o durante una tormenta eléctrica. Si no lo hace, puede producirse una descarga eléctrica o un incendio.
- Mantenga las manos y los objetos extraños alejados de la tapa y del área del pestillo al cerrar la tapa. Si no lo hace, pueden producirse lesiones personales.
- Si la lavadora está contaminada por una sustancia extraña como detergente, suciedad o desperdicios de alimentos, desconecte el enchufe y limpie la lavadora con un paño suave y húmedo. Si no lo hace, puede producirse decoloración, deformación, daño u óxido.
- La parte transparente de la tapa puede romperse por un fuerte impacto. Tenga cuidado cuando use la lavadora. Si la parte transparente está agrietada o rota, esto puede provocar lesiones.
- Después de una falla del suministro de agua o al volver a conectar la manguera de suministro de agua, abra el grifo lentamente.
- Abra el grifo lentamente después de un largo período de inactividad. La presión de aire en la manguera de suministro de agua o la tubería de agua puede ocasionar daños a una pieza o fugas de agua.
- Si se produce un error de desagüe durante una operación, revise si hay un problema de desagüe. Si se utiliza la lavadora cuando está inundada debido a un problema de desagüe, puede producirse una descarga eléctrica o un incendio debido a un cortocircuito eléctrico. No inserte las manos ni un objeto metálico debajo de la lavadora. Esto puede provocar lesiones.
- Inserte la ropa en la lavadora completamente para que la ropa no quede atrapada en la tapa. Si la ropa queda atrapada en la tapa, esto puede ocasionar daños a la ropa o lavadora, o producir fugas de agua.
- Asegúrese de que el grifo esté apagado cuando no se esté utilizando la lavadora.
- Asegúrese de que los conectores de la manguera de suministro de agua estén correctamente apretados. Si no lo hace, pueden producirse daños a la propiedad o lesiones.
- Abra el grifo y revise si el conector de la manguera de suministro de agua está firmemente apretado y si no hay fugas de agua antes de usar el producto. Si los conectores de la manguera de suministro de agua están sueltos, esto puede provocar fugas de agua.

- No se ponga de pie encima del aparato ni coloque objetos (como ropa, velas encendidas, cigarrillos encendidos, platos, productos químicos, objetos metálicos, etc.) en el aparato. Esto puede producir una descarga eléctrica, un incendio, problemas con el producto o lesiones.
- No opere el aparato con las manos mojadas. Esto puede provocar una descarga eléctrica.
- No rocíe material volátil como un insecticida en la superficie del aparato. Además de ser perjudicial para los seres humanos, también puede provocar una descarga eléctrica, un incendio o problemas con el producto.
- No coloque un objeto que genere un campo electromagnético cerca de la lavadora. Esto puede provocar lesiones debido a un mal funcionamiento.
- Dado que el agua escurrida durante un ciclo de lavado o secado a alta temperatura está caliente, no toque el agua. Esto puede provocar quemaduras o lesiones.
- No lave, centrifugue ni seque asientos, esteras o ropa a prueba de agua.
- No lave esteras gruesas y duras aunque la marca de la lavadora esté en la etiqueta de cuidado. Esto puede provocar lesiones o daños en la lavadora, las paredes, el piso o la ropa debido a vibraciones anormales.
- No utilice la lavadora cuando se haya retirado el dispensador de detergente. Esto puede provocar una descarga eléctrica o lesiones debido a fugas de agua.
- No inserte la mano en el dispensador de detergente después de abrirlo. Esto puede provocar lesiones porque la mano puede quedar atrapada.
- No coloque objetos que no sean de ropa, como zapatos, desperdicios de alimentos o animales en la lavadora. Esto puede causar vibraciones anormales que pueden dañar la lavadora y, en el caso de mascotas, causar lesiones graves o la muerte.
- No presione los botones con objetos afilados como alfileres, cuchillos o uñas. Esto puede provocar una descarga eléctrica o lesiones.
- No lave la ropa contaminada con aceites, cremas o lociones que se encuentran generalmente en tiendas de cuidado de la piel o clínicas de masaje. Esto puede provocar que el sello de goma se deforme y que se produzcan fugas de agua.
- Asegúrese de que la tubería de entrada de agua esté conectada y de que el grifo esté abierto antes de lavar la ropa.
- No deje objetos metálicos (alfileres de seguridad, ganchos para cabello y demás) ni blanqueador en la tina durante largos períodos de tiempo. Esto puede causar que se oxide la tina.
 - Si aparece óxido en la superficie de la tina, aplique un agente limpiador neutro en la superficie y utilice una esponja para limpiarla. Nunca utilice un cepillo metálico.
- No utilice agua caliente de dispositivos de refrigeración/calefacción de agua. Esto puede ocasionar problemas con la lavadora.
- No utilice jabón de manos natural en la lavadora. Si se endurece y acumula dentro de la lavadora, puede causar problemas con el producto, decoloración, óxido o malos olores.
- Si utiliza una malla de lavado con esta máquina (no incluida), no lave los artículos de ropa, como la ropa de cama en la malla de lavado. Si lo hace, puede provocar lesiones debido a vibraciones anormales. Coloque solo artículos más pequeños, como calcetines de encaje y lencería, en la malla de lavado.
- No utilice detergente en polvo endurecido. Si se acumula dentro de la lavadora, puede provocar fugas de agua.
- No lave tapetes ni alfombrillas. Si lo hace, puede acumularse arena dentro de la lavadora, lo que podría provocar problemas mecánicos.

GUARDE ESTAS INSTRUCCIONES



ADVERTENCIA

Conexión a tierra

- Este aparato debe conectarse a tierra adecuadamente.
- No conecte el aparato a tierra con una tubería de gas, tubería de agua de plástico o línea telefónica.
 - Una conexión a tierra incorrecta puede provocar descargas eléctricas, incendios, explosiones o problemas con el producto.
 - Nunca conecte el cable de alimentación a un tomacorriente que no esté conectado a tierra correctamente. Asegúrese de que el tomacorriente que utilice esté conectado a tierra correctamente. Asegúrese de que el tomacorriente que utilice esté conectado a tierra de acuerdo con los códigos locales y nacionales.



ADVERTENCIA

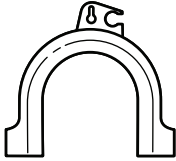
Conexión a tierra

- No instale este aparato cerca de un calentador o material inflamable.
- No instale este aparato en un lugar húmedo, aceitoso o polvoriento, ni en un lugar expuesto a la luz solar directa o al agua (gotas de lluvia).
- No instale este aparato en un lugar donde pueda haber una fuga de gas. Si no lo hace, puede producirse una descarga eléctrica o un incendio.
- Si la lavadora se traslada a una nueva ubicación, solicite que un técnico de servicio calificado la revise y la vuelva a instalar. El incumplimiento de esta advertencia puede provocar una descarga eléctrica o un incendio.
- No tire del cable de alimentación ni de la manguera de salida de desagüe para trasladar el aparato al lugar deseado.

CARACTERÍSTICAS

Contenido del paquete

Asegúrese de que los siguientes artículos se suministraron con la lavadora



Guía de la manguera de desagüe



Válvula



Correa (x1)



Filtro (x2)

NOTA:

- Use los filtros para reemplazar las arandelas de goma en las mangueras de agua (lados del grifo).

Componentes principales

Instrucciones de seguridad

Características

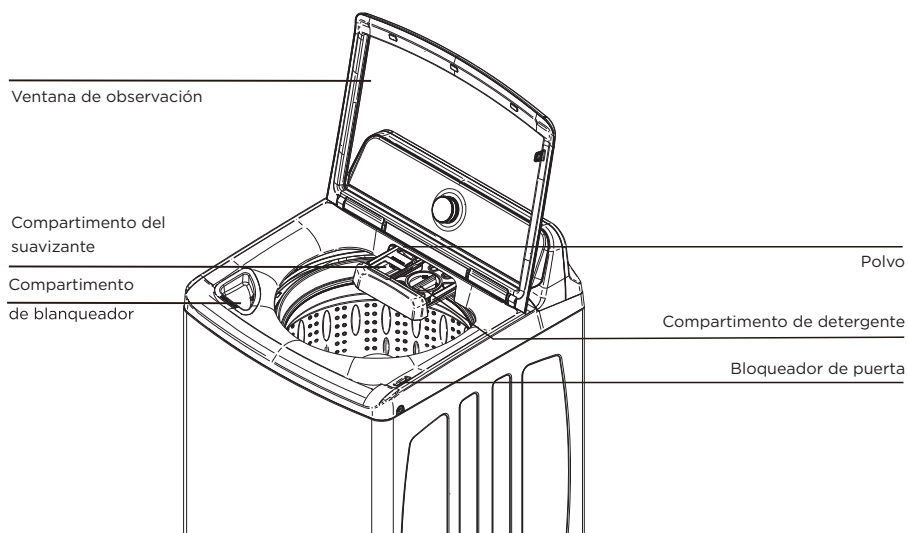
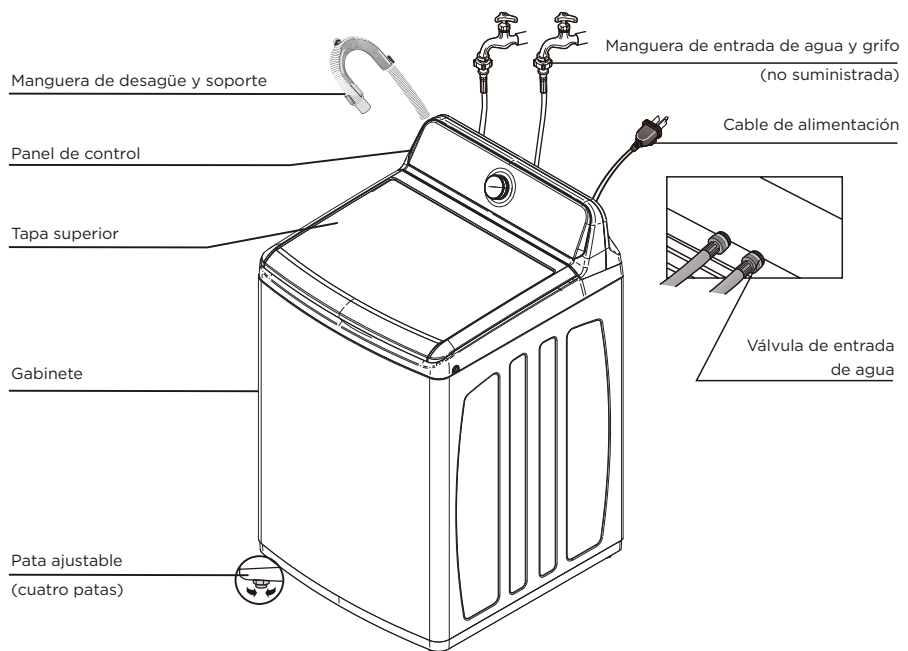
Requisitos de operación

Instrucciones de instalación

Uso de la lavadora

Cuidado de la lavadora

Resolución de problemas



REQUISITOS DE OPERACIÓN

Requisitos eléctricos

ADVERTENCIA

Para reducir el riesgo de incendio, descarga eléctrica o lesiones a las personas, lea las INSTRUCCIONES DE SEGURIDAD antes de utilizar este aparato.

Utilice un fusible o disyuntor de 120 voltios, 60 Hz y 15 amperios. Recomendamos un circuito de derivación individual que atienda solo a su lavadora.

ADVERTENCIA

Nunca utilice un cable de extensión.

Se requiere la conexión a tierra eléctrica para su lavadora.

Debe conectar a tierra su lavadora. En caso de mal funcionamiento o avería, la conexión a tierra reduce el riesgo de descarga eléctrica al proporcionar una ruta de menor resistencia para la corriente eléctrica.

La lavadora está equipada con un cable de alimentación con un enchufe de conexión a tierra de tres clavijas para el uso en un tomacorriente correctamente instalado y conectado a tierra.

El tomacorriente debe instalarse correctamente y conectarse a tierra de acuerdo con todos los códigos y ordenanzas locales.

ADVERTENCIA

- Usted es responsable de proporcionar servicios eléctricos adecuados para la lavadora.
- Un conductor de conexión a tierra de equipos conectado incorrectamente puede aumentar el riesgo de descarga eléctrica. Consulte con un electricista o técnico calificado si no está seguro de si su lavadora está conectada a tierra de forma correcta.
- No modifique el enchufe del cable de alimentación que se suministra con la lavadora. Si el enchufe no se ajusta al tomacorriente, solicite que un electricista calificado instale el tomacorriente correcto.
- Para evitar riesgos innecesarios de incendio, descarga eléctrica o lesiones personales, todo cableado y conexión a tierra debe hacerse de acuerdo con el Código Eléctrico Nacional del Instituto Nacional Estadounidense de Estándares (American National Standards Institute, ANSI)/Asociación Nacional de Protección contra el Fuego (National Fire Protection Association, NFPA), la última revisión N.º 70, y los códigos y ordenanzas locales.
- Nunca conecte el cable de tierra a cañerías de plástico, tuberías de gas o tuberías de agua caliente.
- No seguir de cerca estas instrucciones puede resultar en una vibración anormal y condición de desequilibrio que podría resultar en lesiones físicas. Daños a la propiedad y/o daños a los electrodomésticos.

Requisitos de agua

Para llenar la lavadora en la cantidad de tiempo correcta, la presión del agua debe estar entre 14 y 116 psi (100 a 800 kPa).

Si la presión del agua es menos de 14 psi (100 kPa):

- La válvula de agua puede fallar o no apagarse por completo.
- El tiempo que se tarda en llenar la lavadora puede ser más largo que el tiempo que permiten los controles de la lavadora. Se apagará la lavadora e informará un error. Se incorpora un límite de tiempo en los controles para evitar inundaciones en su hogar si se suelta una manguera.
- Las mangueras de entrada de agua deben adquirirse por separado. Puede comprar mangueras de entrada en varias longitudes de hasta 8 ft (240 cm).

Para evitar la posibilidad de daños por agua:

- Asegúrese de que los grifos de agua sean fácilmente accesibles.
- Apague los grifos cuando no esté utilizando la lavadora.
- Revise periódicamente que el agua no se filtre por los accesorios de las mangueras de agua.

Requisitos de desagüe

La altura recomendada para la tubería vertical de desagüe es de 48 in (122 cm).

La manguera de desagüe debe pasarse a través del clip de la manguera de desagüe hasta la tubería vertical.

La tubería vertical debe ser lo suficientemente grande como para aceptar el diámetro exterior de la manguera de desagüe.

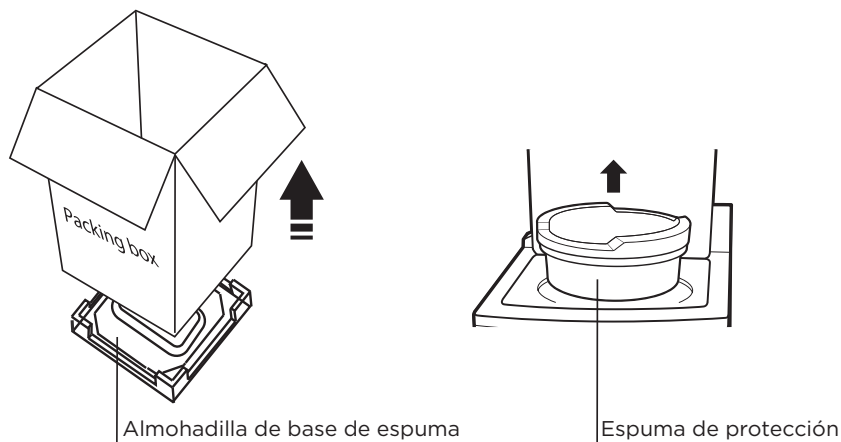
INSTRUCCIONES DE INSTALACIÓN

Desembalaje de la lavadora

ADVERTENCIA

- Los materiales de embalaje pueden ser peligrosos para los niños. Mantenga todos los materiales de embalaje (bolsas de plástico, poliestireno, etc.) fuera del alcance de los niños.
- No utilice la lavadora sobre la almohadilla de base de espuma. Si lo hace, se producirán vibraciones graves, que podrían causar daños en el equipo o lesiones físicas.
- Ciertas partes internas no están conectados a tierra intencionalmente puede presentar un riesgo de descarga eléctrica solo durante el mantenimiento. Personal de servicio - no se ponga en contacto con las siguientes partes mientras el aparato está energizado : Bomba de drenaje de válvula eléctrica y motor principal y retractor.

Retire la caja de embalaje y levante la lavadora hacia arriba y lejos de la almohadilla de base de espuma. Abra la tapa de la lavadora para sacar todos los accesorios, incluida la espuma protectora.



Elegir una ubicación

⚠ ADVERTENCIA

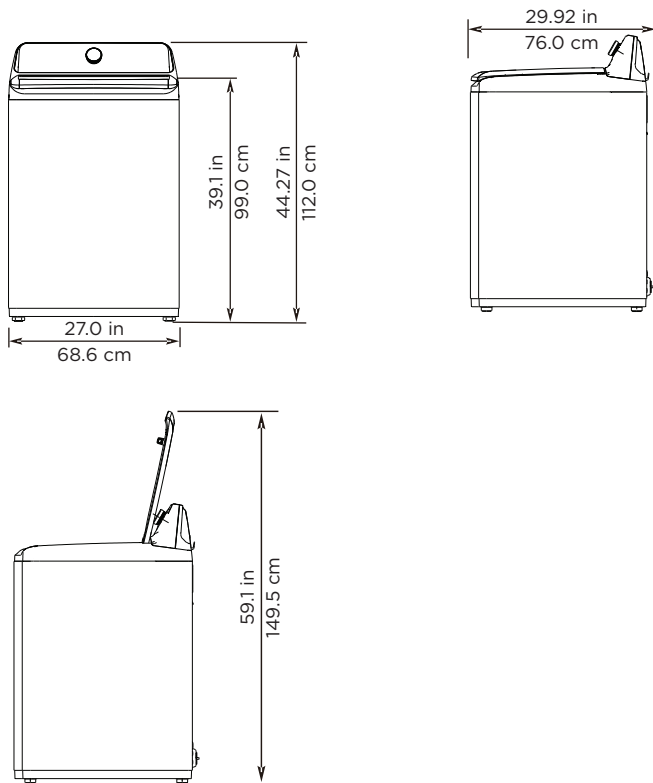
- No instale la lavadora en áreas donde el agua pueda congelarse, ya que su lavadora siempre retiene algo de agua en sus áreas de válvula de agua, bomba y manguera. El agua congelada puede dañar la válvula, la bomba, las mangueras y otros componentes.
- Nunca la instale sobre una plataforma o estructura con soporte débil.

Para obtener el mejor rendimiento, debe instalar la lavadora en un piso sólido y nivelado.

Es posible que sea necesario reforzar los pisos de madera para minimizar las vibraciones o las situaciones de carga desequilibrada.

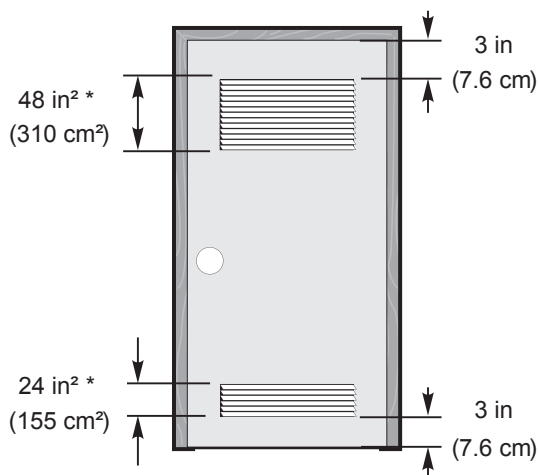
Las alfombras y las superficies de baldosas blandas pueden contribuir a una vibración excesiva, lo que puede hacer que la lavadora se mueva ligeramente durante el ciclo de centrifugado.

Dimensiones de la lavadora y medidas de instalación



* Separación requerida

Si instala la lavadora en una alcoba o un armario, la parte delantera del armario debe tener dos aberturas de aire sin obstáculos para un área total mínima combinada de 72 sq in (465 cm²) con un espacio libre mínimo de 3 in (76 mm) en la parte superior e inferior. Una puerta de tablillas con espacio libre equivalente es aceptable.

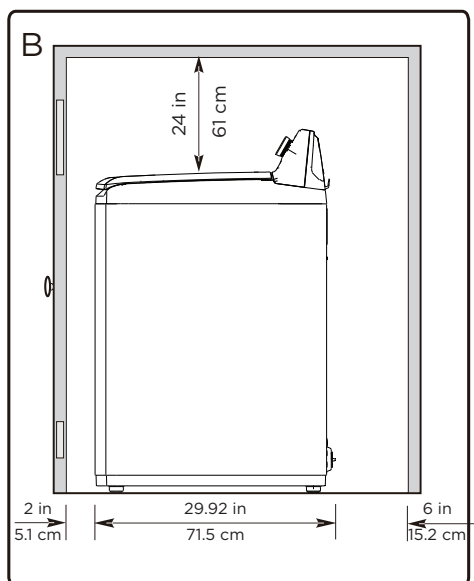
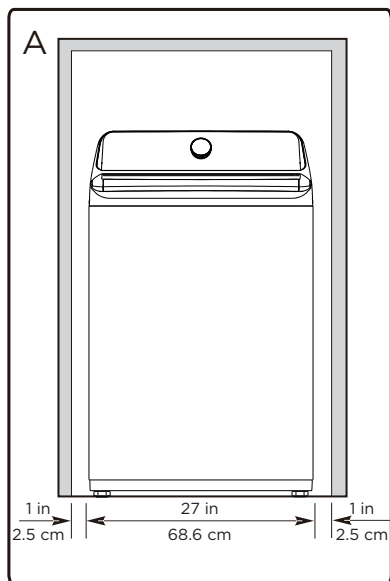


Instalación en una alcoba o un armario

Los espacios libres mínimos entre la lavadora y las paredes adyacentes u otras superficies son:

- **Cualquier lado:** 1 in (2.5 cm)
- **Parte posterior:** 6 in (15.2 cm)
- **Parte delantera del armario:** 2 in (5.1 cm)
- **Parte superior:** 24 in (61 cm)
- **Espacio entre el extremo de la válvula de agua y la pared:** 6 in (15.2 cm)

Si instala la lavadora y secadora una al lado de la otra en un armario, el frente del armario debe tener una abertura de aire sin obstrucciones de al menos 72 pulgadas cuadradas (465 centímetros cuadrados).



A. Área empotrada

B. Vista lateral: armario o área confinada



ADVERTENCIA

- El aparato debe ubicarse en una superficie dura y nivelada sin alfombras ni pisos blandos que puedan obstruir la ventilación.
- Esté lejos de la luz solar directa.
- Tenga una ventilación adecuada.
- No esté expuesto a temperaturas de congelación (32 °F o 0 °C).
- Esté lejos de fuentes de calor como el petróleo o el gas.
- Tenga suficiente espacio para que la lavadora no se apoye sobre el cable de alimentación.

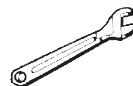
Herramientas que necesitará



Alicate



Nivel



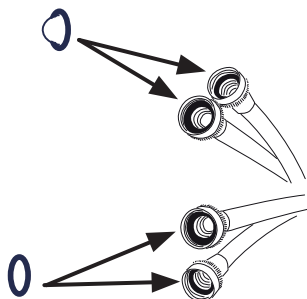
Llave inglesa ajustable que se abre a 1" (25 mm)

Conecte las mangueras de agua

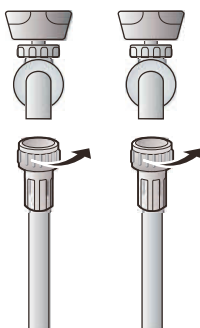
NOTA: Las mangueras de suministro de agua no se suministran con la lavadora y deben adquirirse por separado.

Precaución

- Utilice mangueras de suministro de agua nuevas. El uso de mangueras viejas puede provocar fugas o desbordamientos que pueden dañar su propiedad.
 - No conecte varias mangueras de suministro de agua para aumentar la longitud de la manguera. Las mangueras conectadas de esta manera pueden tener fugas y causar descargas eléctricas. Si una manguera es demasiado corta, reemplace la manguera con una manguera de alta presión más larga.
1. Asegúrese de que haya arandelas de goma dentro de los accesorios en ambos extremos de cada manguera de agua nueva. Retire las arandelas de goma del lado del grifo y reemplácelas con filtros. La instalación de las mangueras de suministro de agua sin arandelas de goma puede causar fugas de agua.



2. Apriete los accesorios de la manguera y el grifo a mano hasta que estén ajustados, luego apriételos dos tercios de un giro adicional con alicates o una llave inglesa. Tire de las mangueras de suministro de agua hacia abajo para asegurar que estén conectadas de forma segura.



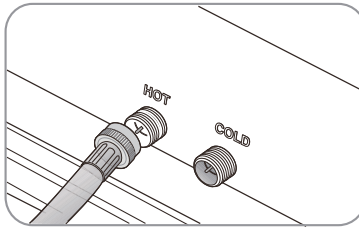
Precaución

No apriete demasiado los accesorios ni aplique cinta adhesiva o sellador a los grifos ni a la admisión de suministro de agua. Esto puede dañar los accesorios.

3. Coloque los extremos desconectados de las mangueras en un cubo y encienda los grifos conectados a las mangueras de suministro de agua durante 10 o 15 segundos para eliminar cualquier sustancia extraña. Apague los grifos.



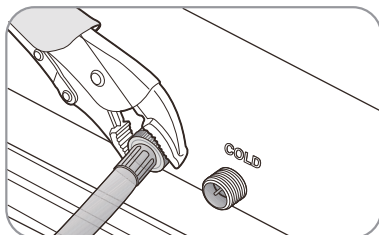
4. Conecte los extremos de las mangueras de suministro de agua a las conexiones de admisión del suministro de agua en la parte superior de la lavadora. Asegúrese de que las arandelas de goma estén en su lugar. La manguera de suministro de agua conectada al grifo de agua caliente debe estar conectada a la admisión del suministro de agua caliente y la manguera de agua conectada al grifo de agua fría debe estar conectada a la admisión del suministro de agua fría.



NOTA: Si no desea utilizar la manguera de suministro de agua caliente, inserte una tapa de admisión de agua en el orificio de admisión de agua caliente. En este caso, debe seleccionar la opción Tap Cold (Fría del grifo) para la temperatura del agua.

NOTA: No se proporciona una tapa de admisión con la lavadora. Debe adquirirse por separado.

5. Apriete los accesorios a mano hasta que estén ajustados, luego apriételos dos tercios de un giro adicional con alicates.



Precaución

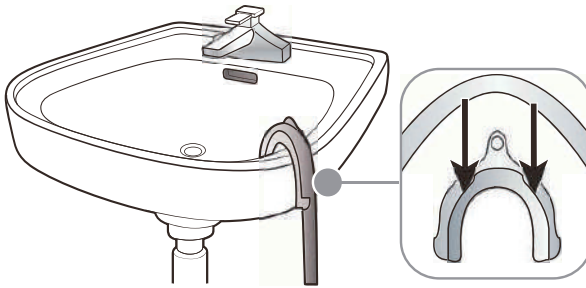
- No apriete demasiado los accesorios ni aplique cinta adhesiva o sellador a los grifos ni a las admisiones de suministro de agua. Esto puede dañar los accesorios.
 - Asegúrese de que las mangueras de suministro no estén torcidas ni dobladas. Una manguera doblada o torcida puede tener fugas y causar una descarga eléctrica debido a la fuga de agua. Para asegurar el uso correcto del agua, conecte los grifos de agua fría y caliente. Si uno o ambos no están conectados, podría producirse un código de error.
6. Encienda los suministros de agua caliente y fría y revise todas las conexiones de admisión del suministro de agua y los grifos para detectar fugas de agua.

Conecte las mangueras de desagüe

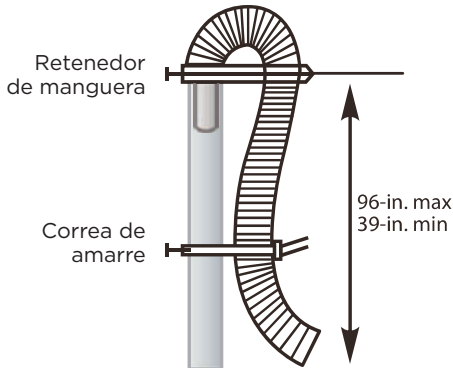
Precaución

Asegúrese de que la conexión entre la manguera de desagüe y el lavabo, la tubería vertical o la tina de ropa no sea hermética.

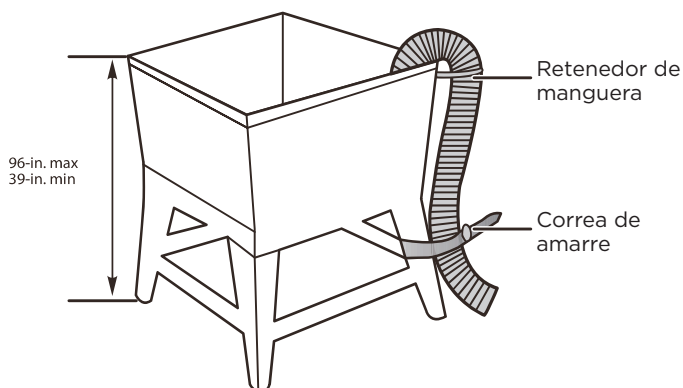
- **Sobre el borde de un lavabo** - Fije la guía al lado de la pared del lavabo con un gancho, péguela con cinta adhesiva o átela con un trozo de cable para evitar que la manguera de desagüe se mueva.



- **En una tubería vertical** - La tubería vertical no debe ser más corta de 39 in (99 cm) y no más larga de 96 in (244 cm).



- **En una tina de ropa** - La tina de ropa no debe ser más corta de 39 in (99 cm) y no más alta de 96 in (244 cm).



Nivele la lavadora

Precaución

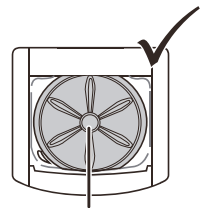
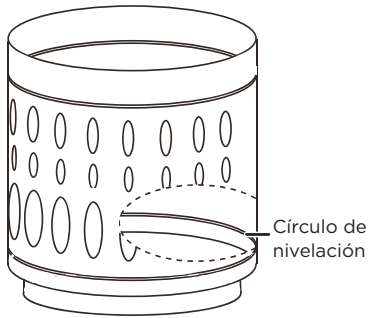
No use la lavadora sin nivelarla. Si la lavadora no está nivelada, puede:

- Vibrar excesivamente, lo que puede causar un mal funcionamiento de la lavadora.
- Hacer ruido excesivo.
- Indicar códigos de error cuando la lavadora está en funcionamiento.

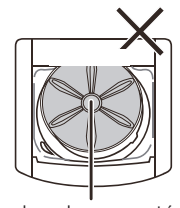
Extienda las patas de nivelación solo en la medida que sea necesario. Si se extienden demasiado las patas, la lavadora puede vibrar.

Determine si la lavadora está nivelada revisando la posición de la tina o utilizando un nivel.

1. Deslice la lavadora hasta su posición.
2. Abra la tapa de la lavadora y, a continuación, vierta agua en la tina hasta el círculo de nivelación. Si la lavadora está nivelada, el agua tocará el círculo de nivelación por completo. Si la lavadora no está nivelada, el agua solo tocará parte del círculo de nivelación.

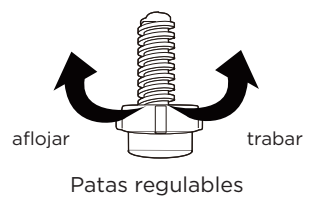
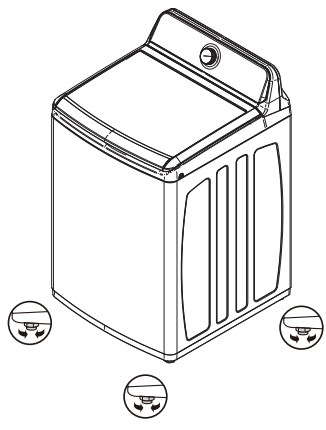


La lavadora está nivelada; el agua toca el círculo de nivelación por completo.



La lavadora no está nivelada; el agua no toca el círculo de nivelación por completo.

- Si la lavadora no está nivelada, incline con cuidado la lavadora solo lo suficiente para ajustar las patas niveladoras en la parte inferior de la lavadora. Extienda las patas solo en la medida que sea necesario. Si se extienden demasiado las patas, la lavadora puede vibrar.



Encendido

Conecte el cable de alimentación a un tomacorriente conectado a tierra firmemente, de 3 clavijas, 120 voltios y 60 Hz, protegido por un fusible de 15 amperios o un disyuntor comparable. Su lavadora está conectada a tierra a través de la tercera clavija del cable de alimentación.

Ejecute un ciclo de prueba

Ejecute un ciclo de prueba para asegurarse de que la lavadora esté instalada correctamente.

1. Cargue alrededor de 6 libras (2.7 kg) de ropa en la tina.
2. Seleccione la perilla **Cycles** (Ciclos) para encender la lavadora.
3. Gire el selector de ciclo para seleccionar el ciclo de **Rinse & Spin** (Enjuagar y centrifugar).
4. Presione el botón **Start Pause** (Inicio/Pausa) para iniciar el ciclo de prueba. La lavadora no debe balancear ni vibrar excesivamente cuando el agua llene la tina, o al lavar o centrifugar. La lavadora debe escurrir bien durante el ciclo de centrifugado.

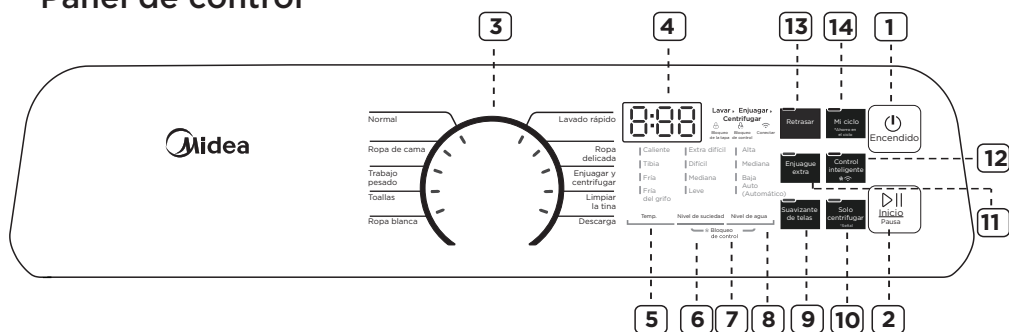


Precaución

- Si detecta fugas de agua mientras la lavadora se está llenando o escurriendo, revise las conexiones de agua. Consulte **Conecte las mangueras de agua** en la página 19 o **Conecte las mangueras de desagüe** en la página 23.
- Si la lavadora se balancea y/o vibra excesivamente, nivélela de nuevo. Consulte **Nivela la lavadora** en la página 23 .

USO DE LA LAVADORA

Panel de control



1 Encendido

Presiónelo para encender la lavadora. Presiónelo de nuevo para apagar la lavadora. Si abandona la lavadora y no presiona el botón **INICIO/PAUSA** en un plazo de 10 minutos, la lavadora se apaga de forma automática.

2 Inicio/Pausa

Presiónelo una vez para comenzar el ciclo de lavado. Presiónelo nuevamente para detener el ciclo. Si pausa el ciclo, puede agregar o retirar artículos, pero no puede cambiar ningún ajuste. Presiónelo nuevamente para reiniciar el ciclo.

3 Selector de ciclo

Gírelo para seleccionar un ciclo de lavado. El ciclo que seleccione determina el patrón de lavado para el ciclo. Para obtener más información, consulte **Opciones y ajustes de la lavadora** en la página 34.

4 Pantalla digital

La pantalla inicial es el tiempo total del ciclo que seleccione.

Mientras la lavadora está en funcionamiento, la pantalla muestra el proceso del ciclo y el tiempo restante en el ciclo.

NOTA: El tiempo mostrado es una estimación basada en condiciones normales de funcionamiento. Los factores externos (como el tamaño de la carga, la temperatura ambiente, la temperatura del agua entrante y la presión del agua) pueden afectar el tiempo real.

Si establece un tiempo de retraso para el inicio del ciclo, la pantalla muestra la hora en la que se iniciará el ciclo.

5 Temp.

Presiónelo para seleccionar la temperatura del agua de lavado. La temperatura del agua de enjuague siempre está fría.

6 Nivel de suciedad

Presiónelo para seleccionar el nivel de suciedad. Diferentes niveles de suciedad dan como resultado diferentes tiempos de lavado y ajustes del ciclo de lavado. Para obtener más información, consulte **Opciones y ajustes de la lavadora** en la página 34.

7 Bloqueo de control

Mantenga presionados los botones de **Nivel de suciedad** y **Nivel de agua** al mismo tiempo durante 3 segundos para encender la función de bloqueo para niños. Mantenga presionados estos botones de nuevo durante 3 segundos para desactivar la función. Cuando la función de bloqueo para niños esté encendida, el único botón que funciona es el botón de **Encendido** y los botones de **Nivel de suciedad** y **Nivel de agua** que usa para apagarla.

8 Nivel de agua

Pulse para seleccionar el nivel de agua, los tiempos de lavado y el ajuste del ciclo de lavado. Para obtener más información, consulte **Función de programa**, en la página 34.

9 Suavizante de telas

Agregue un suavizante de telas líquido al compartimento destinado para tal fin y, a continuación, presione este botón. El suavizante de telas se agregará al ciclo en el momento correcto.

10 Solo centrifugar/Señal

Pulse para seleccionar Solo centrifugar. Esta función drenará el agua y centrifugará. Presiónelo nuevamente para cancelarlo.

Mantenga pulsado el botón durante 3 segundos para activar la señal de final de ciclo. Pulse de nuevo durante 3 segundos para cancelarla.

11 Enjuague extra

Presiónelo para agregar un enjuague extra al ciclo de lavado. Presiónelo nuevamente para cancelarlo.

12 Control inteligente

Pulse [^{Control}inteligente] durante 3 segundos para conectar la lavadora a la aplicación SmartHome de su teléfono.

Consulte la página 35 para obtener instrucciones sobre cómo descargar la aplicación SmartHome.

Este es el interruptor de wifi; si desea conectar su aparato a Internet, debe encender este botón.

Después de conectar su dispositivo al wifi, pulse [^{Control}inteligente] una vez, lo que indicará que ha entrado en el estado de control remoto.

El control inteligente del teléfono debe cumplir las siguientes condiciones:

1. El aparato debe conectarse a Internet;
2. La puerta del tambor debe estar cerrada.

Observación:

- Si la puerta se abre en cualquier momento, la función de control inteligente fallará.
- La función de control inteligente se desactiva de forma automática al final de cada ciclo; si desea volver a utilizar la función de control inteligente, debe volver a activarla.

13 Retrasar

Presiónelo para seleccionar una hora a la que desea que comience el ciclo. Puede configurar la hora con hasta 24 horas de antelación en incrementos de una hora. La pantalla muestra la hora en la que se iniciará el ciclo. Para obtener más información, consulte **Establezca una hora de inicio retrasado** en la página 31.

14 Mi ciclo

Manténgalo presionado durante 3 segundos para recordar su ciclo de lavado favorito. Presiónelo una vez para cargar sus ajustes del ciclo favorito.

Lavado de una carga de ropa



ADVERTENCIA

Para reducir el riesgo de incendio, descarga eléctrica o lesiones a las personas, lea las INSTRUCCIONES DE SEGURIDAD antes de utilizar este aparato.

Seleccionar un detergente

La lavadora está diseñada para utilizar detergentes de alta eficiencia (high efficiency, HE).

- Para obtener los mejores resultados de limpieza, utilice un detergente de HE. Le recomendamos que no use un detergente normal. Los detergentes de HE contienen supresores que reducen o eliminan la espuma. Cuando se produce menos espuma, la carga aumenta la eficiencia y se maximiza la limpieza.
- Reducir la cantidad de detergente puede reducir la calidad de limpieza. Asegúrese de:
 - Tratar previamente las manchas.
 - Ordenar cuidadosamente por color y nivel de suciedad.
 - Evitar la sobrecarga.

1. Encienda la lavadora

Presione el botón **Power** (Encendido) para encender la lavadora. Los ajustes iniciales de la lavadora son los siguientes:

Normal en el selector de ciclo que muestra -- en la pantalla digital.

Medium (Mediano) para el nivel de suciedad.

Warm (Tibia) para la **temperatura de lavado**.

Nivel de agua para el auto

2. Carga tu lavadora



Precaución

Antes de cargar la ropa, asegúrese de retirar monedas, llaves, y otros objetos duros, y cerrar cremalleras. Estos artículos pueden dañar la ropa.

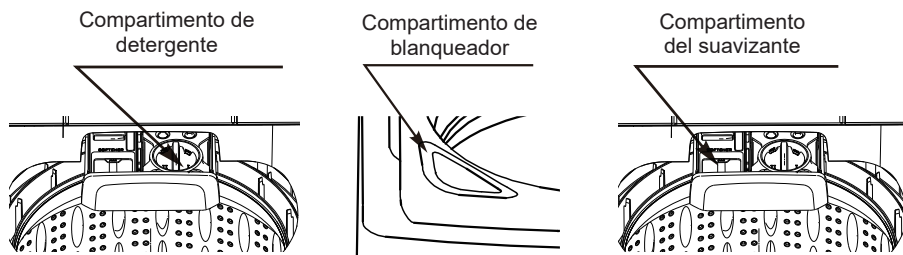
- Ordene la ropa por tipo de tela, nivel de suciedad, color y tamaño de carga.
- Llene la tina con ropa seca y desdoblada. Cargue la tina a no más de 3/4 de su capacidad.

NOTA:

- La sobrecarga puede reducir la eficiencia del lavado, causar un desgaste excesivo y posiblemente causar pliegues o arrugas en la carga.
- Lave artículos delicados como sostenes, medias y otra ropa interior usando el ciclo de **Ropa delicada** con artículos livianos similares.

- Cuando lave artículos grandes y voluminosos (como alfombras o almohadas) o algunos artículos más pequeños (como juguetes de peluche o uno o dos suéteres) que no llenen completamente la tina, agregue algunas toallas para mejorar el rendimiento de centrifugado.
- Utilice siempre el ciclo **Bedding** (Grande) para artículos voluminosos.
- Cuando lave cargas muy sucias, no sobrecargue la lavadora para garantizar buenos resultados de limpieza.

2. Agregue detergente y aditivos al compartimento



Carga del compartimento de detergente líquido o en polvo

- Vierta la cantidad recomendada de detergente para ropa directamente en el compartimento antes de encender la lavadora.
- Si utiliza blanqueador para ropa de color, agréguelo con el detergente al compartimento de detergente.

NOTA:

- Al agregar blanqueador para ropa de color con detergente, ambos productos de ropa deben estar en la misma forma (líquido).
- Si la lavadora no tiene un compartimento de detergente, añada el detergente a la tina.

Carga del compartimento de blanqueador (solo blanqueador líquido)

- Agregue blanqueador de cloro al compartimento de blanqueador. No llene en exceso el compartimento.
- No hay entrada de agua en el dispensador de blanqueador, por lo que el blanqueador ingresará directamente en la tina cuando lo vierta.



Precaución

- Evite salpicar o sobrellenar el compartimento.
- Nunca vierta blanqueador de cloro líquido sin diluir directamente sobre la carga o en la tina. Hacerlo puede dañar las telas debilitando las fibras o quitando el color.

NOTA: No vierta blanqueador para ropa de color en el compartimento de blanqueador. Agréguelo al compartimento de detergente.

Carga del compartimento de suavizante de telas

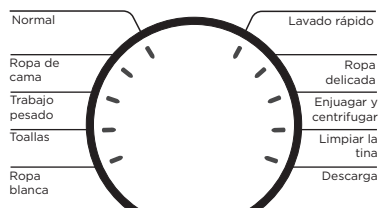
- Vierta la cantidad recomendada de suavizante de telas líquido en el compartimento de suavizante. El dispensador libera automáticamente el suavizante de telas líquido en el momento correcto durante el ciclo de enjuague.

Precaución

- Utilice el compartimento de suavizante SOLAMENTE para suavizantes de telas líquidos.
- No utilice **Downy Ball®** en el compartimento de suavizante de telas.
- No utilice un suavizante de telas líquido demasiado pegajoso, ya que podría no mezclarse con el agua lo suficiente.
- Asegúrese de seleccionar la opción Fabric Softener (Suavizante de telas) cuando utilice suavizante de telas para que se libere en la parte de enjuague del ciclo.

3. Seleccione el ciclo apropiado y las opciones para la carga

- Gire el selector de ciclo para seleccionar un ciclo de lavado. Para obtener más información sobre los ciclos de lavado, consulte **Opciones y ajustes de la lavadora** en la página 34.



- **Opcional:** Utilice los botones del panel de control (como Suavizante de telas) para personalizar el ciclo de lavado. Para ver las descripciones de los botones, consulte el **Panel de control** en la página 26. Para obtener información sobre qué botones están disponibles para cada tipo de ciclo, consulte **Opciones y ajustes de la lavadora** en la página 34.

4. (Opcional) Establezca una hora de inicio retrasado

Puede programar un ciclo de lavado y, a continuación, establecer una hora en la que desee que comience un ciclo de lavado.

- Presione el botón **Retrasar** para activar la función de hora de inicio de retrasado.



- Presione el botón **Retrasar** repetidamente para seleccionar el tiempo de retraso que desea. La hora de inicio retrasado, en horas, se mostrará en la pantalla, en secuencia, de **0** a **24**, y luego de nuevo a **0**. También puede mantener presionado el botón **Delay** (Retrasar) para ajustar rápidamente la hora hasta que aparezca la hora deseada en la pantalla.
- Si desea cambiar los ajustes del ciclo de lavado mientras configura la hora de inicio retrasado, gire el selector de ciclo. Para volver a ajustar la función de hora de inicio retrasado, repita los pasos 1 y 2.

NOTA:

- Una vez que alcance el número de horas de retraso presionando el botón **Retrasar**, suelte el botón durante tres segundos y se establecerá. La luz de retrasar permanecerá encendida.
- Una vez ajustada la hora de retraso, si desea cambiar el ajuste de retraso, presione el botón **Retrasar** de nuevo hasta que se alcance la hora deseada. Suelte el botón durante tres segundos y se ajustará.
- Si decide cancelar el ajuste de retraso, puede girar el selector de ciclo o presionar el botón **Retrasar** hasta que alcance **0**.
- Idealmente, debería ajustar el ciclo antes de programar el retraso, ya que al girar el selector de ciclo después de ajustar el retraso, se cancela el retraso.
- **La función hora de inicio retrasado no puede cambiarse después de haberse iniciado el programa.**

- Para cancelar la función de hora de inicio retrasado antes de guardar el ajuste, presione el botón **Retrasar** hasta que aparezca **0** en la pantalla, o gire la perilla del selector de ciclo.

IMPORTANTE:

- Puede cambiar el ajuste o cancelar la función de hora de inicio retrasado en cualquier momento antes de presionar el botón de **Inicio/Pausa** girando el selector de ciclo. La hora de inicio retrasado no puede cambiarse después de que haya presionado el botón **Inicio/Pausa**.
- Si ha presionado el botón **Inicio/Pausa**, puede cancelar la función de hora de inicio retrasado presionando el botón de **Encendido** para apagar la lavadora, y luego el botón de **Encendido** de nuevo para volver a encenderla.

5. Inicie la lavadora

- Presione el botón **Inicio/Pausa**.

NOTA:

- Si no ha ajustado una hora de inicio retrasado o si la hora de retraso ha vencido, la lavadora inicia el ciclo y se enciende la luz de **Wash** (Lavado).
- A medida que la lavadora se mueve de una etapa a otra en el ciclo de lavado, la luz relacionada se enciende (como **Rinse** [Enjuagar] o **Spin** [Centrifugar]).
- Si ajusta una hora de inicio retrasado, se enciende la luz de **Delay** (Retrasar) y la lavadora comienza la cuenta regresiva de la hora de inicio.

—Lavar— ▶ Enjuagar ▶ Configurar

- Si necesita pausar el ciclo (por ejemplo, para agregar o eliminar artículos o ajustar la carga), presione el botón **Start Pause** (Inicio/Pausa) y, a continuación, abra la tapa. Se detiene la lavadora. Cuando esté listo para reanudar el lavado, cierre la tapa y, a continuación, presione el botón **Inicio/Pausa**.

6. Descargue la ropa

Cuando se complete el ciclo de lavado:

- La pantalla muestra Fin.
- La lavadora emite seis pitidos una vez finalizado el ciclo.
- La lavadora desbloquea la tapa.



- Abra la tapa y retire la ropa.

Configuración del bloqueo de control

La lavadora tiene una función de bloqueo de control para evitar que los niños jueguen con la lavadora. Cuando activa el bloqueo de control, los únicos botones que funcionan son el botón de **Encendido** y los botones de **Nivel de suciedad** y **Nivel de agua** que usa para apagar el bloqueo de control.

- Mantenga presionados los botones de **Nivel de suciedad** y **Nivel de agua** durante tres segundos. Se enciende la luz de bloqueo de control.

Nivel de suciedad Nivel de agua



- Para desactivar el bloqueo de control, mantenga presionados los botones de **Nivel de suciedad** y **Nivel de agua** durante tres segundos.

NOTA:

- Si la lavadora no está encendida, el bloqueo de control puede permanecer ajustado. Presione el botón de **Encendido**, active la función de bloqueo de control y, a continuación, presione el botón de **Encendido** para apagar la lavadora. Cuando desee utilizar la lavadora, deberá desactivar la función de bloqueo.

- Si activa la función de bloqueo de control mientras está abierta la tapa de la lavadora, aparece E3 en la pantalla. Si no cierra la tapa en 20 segundos, la lavadora emite una alarma, muestra CL y escurre toda el agua de la tina. Para desactivar la alarma y apagar la lavadora, presione el botón de **Encendido**.

Opciones y ajustes de la lavadora

- Peso máximo de carga^ 18.65 lb (8.46 kg) (Ropa seca)
- **Las opciones en negrita son los ajustes iniciales.** Los • (puntos) indican funciones de opciones que puede seleccionar.

Ciclo	Tipo de tela	Opciones de nivel de suciedad	Opciones de temperatura	Opciones de nivel de agua	Retrasar	Mi ciclo	Enjuague extra	Suavizante de telas	Control inteligente	Señal
Normal	Algodón, ropa blanca, toallas, camisas, sábanas, jeans, cargas mixtas	Extra difícil Difícil Mediana Leve	Caliente Tibia Fría Fría del grifo	Alto Medio Bajo Automático	•	•	•	•	•	•
Ropa de cama	Artículos grandes como mantas y edredones	Extra difícil Difícil Mediana Leve	Caliente Tibia Fría Fría del grifo	Alto Medio Bajo Automático	•	•	•	•	•	•
Trabajo pesado	Telas de algodón muy sucias	Extra difícil Difícil Mediana Leve	Caliente Tibia Fría Fría del grifo	Alto Medio Bajo Automático	•	•	•	•	•	•
Toallas	Toallas	Difícil Mediana Leve	Caliente Tibia Fría Fría del grifo	Alto Medio Bajo Automático	•	•	•	•	•	•
Ropa blanca	Telas blancas	Extra difícil Difícil Mediana Leve	Caliente Tibia Fría Fría del grifo	Alto Medio Bajo Automático	•	•	•	•	•	•
Lavado rápido	Ligeramente sucias y pequeñas	Mediana Leve	Caliente Tibia Fría Fría del grifo	Medio Bajo	•	•	•	•	•	•
Ropa delicada	Camisas de vestir, blusas, medias de nylon, telas muy finas/de encaje	Difícil Mediana Leve	Caliente Tibia Fría Fría del grifo	Medio Bajo	•	•	•	•	•	•
Enjuagar y centrifugar			Fría del grifo	Alto Medio Bajo Automático	•	•	•	•	•	•
Limpiar la tina	Consulte la página 36	Extra difícil	Caliente	Alto	•	•			•	•
Solo centrifugar					•	•			•	•
Descarga ropa de deporte	Ropa deportiva	Extra difícil Difícil Mediana Leve	Caliente Tibia Fría Fría del grifo	Alto Medio Bajo Automático	•	•	•	•	•	•
Descarga - Cuidado del bebé	Los bebés usan	Difícil Mediana Leve	Caliente Tibia Fría Fría del grifo	Alto Medio Bajo	•	•	•	•	•	•
Descarga - Planchado permanente	Tela de fibra química	Difícil Mediana Leve	Tibia Fría Fría del grifo	Alto Medio Bajo Automático	•	•	•	•	•	•
Descarga - Sanitizar	Esterilización sostenida 60 C	Extra difícil Difícil Mediana Leve	Caliente Tibia Fría Fría del grifo	Alto Medio Bajo Automático	•	•	•	•	•	•

Descarga

Puede hacer clic para seleccionar un ciclo y programarlo como un ciclo del panel. Este ciclo se sincronizará con el ciclo de “descarga” marcado en el panel de lavado, lo que facilita su uso rápido.

Control inteligente

Utilice el aparato con la aplicación SmartHome

Antes de comenzar, asegúrese de que:

1. Su teléfono inteligente esté conectado a la red wifi doméstica y usted conozca la contraseña de la red.
2. Está cerca del electrodoméstico.
3. La señal inalámbrica de la banda de 2.4 GHz esté habilitada en su router inalámbrico.

Siga los pasos a continuación para entrar en el estado de control remoto

Descargue la aplicación SmartHome

En una tienda de aplicaciones (Google Play Store, Apple App Store), busque la aplicación SmartHome. Descárguela e instálela en su teléfono. También puede descargar la aplicación escaneando el siguiente código QR.



Regístrese e inicie sesión

Abra la aplicación SmartHome y cree una nueva cuenta para comenzar (también puede registrarse a través de una cuenta de terceros). Si ya tenía una cuenta, utilícela para iniciar sesión.

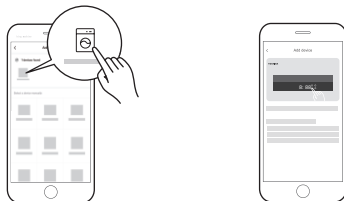


Conecte sus dispositivos a SmartHome

1. Asegúrese de que su teléfono móvil esté conectado al WiFi. Si no es así, vaya a Ajustes y active la conexión inalámbrica, seleccione una red wifi y conéctese. Encienda también el Bluetooth de su teléfono. Si no está encendido, vaya a Ajustes y enciéndalo.
2. Encienda sus dispositivos.
3. Abra la aplicación SmartHome en su teléfono.
4. Si aparece un mensaje con la leyenda "Se descubrieron dispositivos inteligentes cerca", haga clic para agregar.
5. Si no aparece ningún mensaje, seleccione "+" en la página y seleccione su dispositivo en la lista de dispositivos cercanos disponibles. Si su dispositivo no aparece en la lista, añada su dispositivo de forma manual por categoría y modelo de dispositivo.




6. Conecte su dispositivo al WiFi de acuerdo con las instrucciones de la aplicación. Si la conexión falla, siga las instrucciones proporcionadas por la aplicación para continuar con la operación.



7. Encienda el control remoto

Presione el botón de control inteligente una vez en la lavadora, la máquina entrará en el estado de control remoto y podrá arrancar la máquina de forma remota, lo que significa que ha entrado en el estado de control remoto y puede empezar a controlarla a distancia.


Luz de estado del WiFi

	Parpadeo lento	Esperando conexión
	Parpadeo rápido	Conectando
	La luz está encendida	Conectado a su router inalámbrico

Nota:

- Asegúrese de que sus dispositivos estén encendidos.
- Mantenga su teléfono móvil lo suficientemente cerca del dispositivo cuando conecte la red a su dispositivo.
- Conecte su teléfono móvil a la red inalámbrica doméstica y asegúrese de conocer la contraseña de la red wifi.
- Verifique que el router admita una banda WiFi de 2.4 GHz y enciéndalo. Si no está seguro de si el router admite una banda de 2.4 GHz, póngase en contacto con el fabricante del router.
- El dispositivo no puede conectarse a una red wifi que requiere autenticación, y normalmente aparece en áreas públicas como hoteles, restaurantes, etc. Conéctelo a una red wifi que no requiera autenticación.
- Se recomienda utilizar un nombre de wifi que solo contenga letras y números.
- Si el nombre de su wifi contiene caracteres especiales, modifíquelo en el router.
- Desactive la función WLAN+ (Android) o WLAN Assistant (iOS) de su teléfono móvil cuando conecte la red a sus dispositivos.
- En caso de que su dispositivo se haya conectado a una red wifi antes pero necesite volver a conectarse, haga clic en “+” en la página de inicio de la aplicación y añada su dispositivo de nuevo por categoría de dispositivo y modelo de acuerdo con las instrucciones de la aplicación.
- Temperatura de funcionamiento: -20 °C ~85 °C
- La potencia máxima de salida de RF wifi: E.I.R.P.: 18dBm, Bluetooth LE: 10dBm. Banda de frecuencia de funcionamiento: 2400-2483.5 MHz

Procedimientos para restablecer la configuración de wifi.

1. Presione [] durante 3 segundos para activar la función de wifi y vuelva a ingresar en el proceso de configuración de red.
2. Se mostrará “AP” en la pantalla digital.
3. Vuelva a conectarse a la red en función del contenido de la página anterior.

Instrucciones
de seguridad

Características

Requisitos de
operación

Instrucciones
de instalación

Uso de la
lavadora

Cuidado de
la lavadora

Resolución
de problemas

CUIDADO DE LA LAVADORA

Precaución

Apague los grifos de agua después del uso final. Esto interrumpe el suministro de agua a la lavadora y evita la posibilidad de daños por el agua que escapa. Deje la tapa abierta para dejar que el interior de la lavadora se seque.

LIMPIEZA Y MANTENIMIENTO

Limpeza del exterior

Utilice un paño suave para limpiar todo el detergente, blanqueador u otros derrames a medida que se producen.

Limpeza del interior

- Limpie el interior de la lavadora periódicamente para eliminar cualquier suciedad, tierra, olor, moho, humedad o residuo bacteriano que pueda permanecer en la lavadora debido al lavado de ropa.
- El incumplimiento de estas instrucciones puede resultar en condiciones desagradables, incluyendo olores o manchas permanentes en la lavadora o la ropa.
- Para eliminar los depósitos de agua dura, utilice un limpiador etiquetado "Seguro para lavadoras".

Limpeza del panel de control

- Limpie con un paño suave y húmedo. No utilice polvos abrasivos ni almohadillas de limpieza.
- No rocíe limpiadores directamente sobre el panel. El acabado del panel de control puede dañarse con algunos productos de pretratamiento de ropa y removedores de manchas. Aplique estos productos lejos de la lavadora y limpie cualquier derrame o rocío excesivo inmediatamente.

Limpeza del compartimento de detergente, blanqueador o suavizante

- Limpie con un paño suave y húmedo. No utilice polvos abrasivos ni almohadillas de limpieza.
- No rocíe limpiadores directamente sobre el panel. El acabado del panel de control puede dañarse con algunos productos de pretratamiento de ropa y removedores de manchas. Aplique estos productos lejos de la lavadora y limpie cualquier derrame o rocío excesivo inmediatamente.

Limpeza de la tina

El ciclo de **Tub Clean** (Limpiar la tina) es un ciclo de autolimpieza que elimina las causas de los olores que pueden ocurrir dentro de la lavadora sin usar un agente limpiador. Sugerimos limpiar la tina una vez al mes.



Precaución

Nunca utilice el ciclo de Tub Clean (Limpiar la tina) cuando la ropa esté en la lavadora. Esto puede dañar la ropa o la lavadora.

- Con la tina vacía, agregue una taza de blanqueador de cloro al dispensador de cloro.
- Gire la perilla de control para encenderla.
- Gire el selector de ciclo a **Tub Clean** (Limpiar la tina). Con la tina vacía, agregue una taza de blanqueador de cloro al dispensador de cloro.
- Presione el botón **Start Pause** (Inicio/Pausa).

Almacenamiento de la lavadora

Puede dañar la lavadora si no retira el agua de las mangueras y los componentes internos antes de almacenarla.

A fin de preparar la lavadora para el almacenamiento:

- Seleccione el ciclo **Quick Wash** (Lavado rápido) y agregue blanqueador a la lavadora. Haga funcionar la lavadora a través del ciclo sin carga.
- Apague los grifos de agua y desconecte las mangueras de entrada.
- Desconecte la lavadora del tomacorriente y deje la tapa de la lavadora abierta para dejar que el aire circule dentro de la tina.



Precaución

Si la lavadora se ha almacenado a temperaturas inferiores al punto de congelación, deje que pase un tiempo para que se seque cualquier agua sobrante en la lavadora antes de usarla.

ANTES DE LLAMAR AL SERVICIO TÉCNICO...

Consejos para la resolución de problemas

¡Ahorre tiempo y dinero! Revise primero los gráficos de las páginas siguientes y es posible que no necesite llamar al servicio técnico.

Problema	Soluciones
No enciende la lavadora	<ul style="list-style-type: none">• Asegúrese de que la lavadora esté enchufada.• Asegúrese de que la tapa esté cerrada.• Asegúrese de que los grifos de la fuente de agua estén abiertos.• Asegúrese de presionar el botón Inicio/Pausa para encender la lavadora.• Antes de que comience a llenarse la lavadora, hace una serie de ruidos de clic para asegurarse de que la tapa está cerrada y para hacer un desagüe rápido.• Asegúrese de que el bloqueo para niños no esté activado. Consulte Configuración del bloqueo de control en la página 33.• Asegúrese que la opción Retrasar no esté activada. Consulte (Opcional) Establezca una hora de inicio retrasado en la página 31.• Revise el fusible o reinicie el disyuntor.
No hay agua o no hay suficiente agua	<ul style="list-style-type: none">• Asegúrese de que ambos grifos estén completamente encendidos.• Asegúrese de que la presión del agua esté en el rango señalado en Requisitos de agua en la página 14.• Asegúrese de que las mangueras de entrada de agua no estén torcidas. Enderécelas si es necesario.• Desconecte las mangueras y limpie las mallas. Las mallas del filtro de la manguera pueden estar obstruidas.
Cuando la lavadora tiene vibración o ruido excesivos	<ul style="list-style-type: none">• Asegúrese de que la lavadora esté situada en una superficie nivelada. Si la superficie no está nivelada, ajuste las patas de la lavadora para nivelar la lavadora.• Asegúrese de que la lavadora no esté tocando ningún otro objeto.• Asegúrese de que la carga de ropa esté equilibrada.• Durante el proceso de centrifugado, si la ropa se apila a un lado de la tina, la lavadora puede detenerse debido al desequilibrio. La lavadora intenta hasta tres veces resolver el problema automáticamente. Si la lavadora no puede resolver el problema, intente redistribuir manualmente la ropa dentro de la tina.

Instrucciones de seguridad

Características

Requisitos de operación

Instrucciones de instalación

Uso de la lavadora

Cuidado de la lavadora

Resolución de problemas

Problema	Soluciones
Se detiene la lavadora	<ul style="list-style-type: none"> • Asegúrese de que el tomacorriente esté funcionando. • Revise el fusible o reinicie el disyuntor. • Cierre la tapa y, a continuación, presione el botón Start Pause (Inicio/Pausa) para encender la lavadora. Por su seguridad, la lavadora no centrifuga a menos que la tapa esté cerrada. • Antes de que comience a llenarse la lavadora, hace una serie de ruidos de clic para asegurarse de que la tapa está cerrada y para hacer un desagüe rápido. • A veces, la lavadora puede hacer una pausa entre etapas del ciclo. Espere a ver si la lavadora se enciende de nuevo. • Desconecte las mangueras de entrada y limpie las mallas periódicamente. Las mallas del filtro de manguera pueden estar obstruidas.
La tapa está bloqueada o no abre	<ul style="list-style-type: none"> • Presione el botón Start/Pause (Inicio/Pausa) para pausar la lavadora. No puede abrir la tapa si la lavadora está funcionando. • Después de pausar la lavadora, podría tardar unos segundos en liberarse el seguro de la tapa. • Si la tapa está cerrada cuando la lavadora no está funcionando, presione el botón Power (Encendido) para encender la lavadora. • Si la alimentación falla mientras la lavadora está en funcionamiento, al restablecerse la alimentación, se desbloquea la tapa. La lavadora espera tres minutos y luego ejecuta el resto del ciclo.
La lavadora no escurre ni centrifuga	<ul style="list-style-type: none"> • Revise el fusible o reinicie el disyuntor. • Cierre la tapa y, a continuación, presione el botón Start Pause (Inicio/Pausa) para encender la lavadora. Por su seguridad, la lavadora no centrifuga a menos que la tapa esté cerrada. • Asegúrese de que la manguera de desagüe no esté torcida. Enderécela conforme sea necesario. • Asegúrese de que la altura de la manguera de desagüe esté dentro de los límites especificados. Consulte Requisitos de desagüe en la página 14. • Las tuberías del sistema de alcantarillado pueden estar obstruidas. Comuníquese con un plomero o profesional de reparación calificado.
La temperatura del agua no es correcta	<ul style="list-style-type: none"> • Asegúrese de haber seleccionado la temperatura correcta. • Asegúrese de que los grifos de la fuente de agua estén totalmente abiertos. • Asegúrese de que las mangueras estén conectadas a las conexiones correctas de entrada de agua y grifo en la lavadora y, a continuación, purgue las tuberías. Consulte Conecte las mangueras de agua en la página 19. • Desconecte las mangueras y limpie las mallas. Las mallas del filtro de manguera pueden estar obstruidas.

Problema	Soluciones
La carga está demasiado húmeda al final del ciclo	<ul style="list-style-type: none"> • Utilice un detergente de alta eficiencia para reducir el exceso de espuma. Consulte Seleccionar un detergente en la página 29. • La carga puede ser demasiado pequeña. Las cargas muy pequeñas (uno o dos artículos) pueden desequilibrarse y no centrifugar por completo.
Fugas de agua	<ul style="list-style-type: none"> • Asegúrese de que todas las conexiones de manguera estén ajustadas. Consulte Conecte las mangueras de agua en la página 19 y Conecte las mangueras de desagüe en la página 22. • Asegúrese de que el extremo de la manguera de drenaje esté correctamente insertado y fijado al sistema de desagüe. Consulte Conecte las mangueras de desagüe en la página 22. • Evite la sobrecarga. • Utilice un detergente de alta eficiencia para reducir el exceso de espuma. Consulte Seleccionar un detergente en la página 29.
Exceso de espuma	<ul style="list-style-type: none"> • Utilice un detergente de alta eficiencia para reducir el exceso de espuma. Consulte Seleccionar un detergente en la página 29. • Si tiene agua “blanda”, reduzca la cantidad de detergente. • Para cargas pequeñas o ligeramente sucias, reduzca la cantidad de detergente.
Prevenir el olor	<ul style="list-style-type: none"> • Ejecute periódicamente un ciclo de Tub Clean (Limpiar la tina) para limpiar la tina. Consulte Limpeza de la tina en la página 38. • Utilice un detergente de alta eficiencia para reducir el exceso de espuma. El exceso de espuma se acumula en los recovecos y causa olor. Consulte Seleccionar un detergente en la página 29. • Seque el interior de la lavadora una vez finalizado el ciclo total.

CÓDIGOS DE ERROR

Descripción	Motivo	Soluciones
E1	La lavadora tarda más de 30 minutos en llenarse con agua a un nivel de agua bajo, 45 minutos a un nivel de agua medio o 60 minutos a un nivel de agua alto.	<ul style="list-style-type: none"> • Asegúrese que la tapa no esté abierta. • Asegúrese que el agua no se esté fugando. Consulte No hay agua o no hay suficiente agua en la página 40. • Comuníquese con el centro de servicio de Midea.

Descripción	Motivo	Soluciones
E1	Después de que el agua termina de entrar en la lavadora, el nivel de agua no ha cambiado en 10 minutos.	<ul style="list-style-type: none"> • Asegúrese que la tapa no esté abierta. • Asegúrese que el agua no se esté fugando. Consulte No hay agua o no hay suficiente agua en la página 40.
E2	La unidad tarda más de 10 minutos para escurrir.	<ul style="list-style-type: none"> • Consulte La lavadora no escurre ni centrifuga en la página 41.
E3	La tapa está abierta. La lavadora no está nivelada.	<ul style="list-style-type: none"> • Cierre la tapa. • Nivele la lavadora; consulte Nivele la lavadora en la página 23.
E4	La lavadora está desequilibrada más de tres veces en la operación de centrifugado.	<ul style="list-style-type: none"> • vuelva a nivelar la carga si no se puede resolver, póngase en contacto con el Centro de Servicio de Midea.
E5	La lavadora no está nivelada. Ha fallado el interruptor de impacto.	<ul style="list-style-type: none"> • Ajuste el nivel de la lavadora; consulte la guía de instalación. • Si la situación continúa, llame al centro de servicio de Midea.
F2	Ha fallado el EEPROM	<ul style="list-style-type: none"> • Comuníquese con el centro de servicio de Midea.
F5	Ha fallado la detección de carga.	<ul style="list-style-type: none"> • Comuníquese con el centro de servicio de Midea.
F8	Ha fallado el sensor del nivel de agua.	<ul style="list-style-type: none"> • Comuníquese con el centro de servicio de Midea.
Fd	Ha fallado el seguro de la tapa.	<ul style="list-style-type: none"> • Comuníquese con el centro de servicio de Midea.
C9	Ha fallado el PCB.	<ul style="list-style-type: none"> • Comuníquese con el centro de servicio de Midea.
CL	La tapa ha estado abierta durante más de 20 segundos con la función de bloqueo de control activada.	<ul style="list-style-type: none"> • Presione el botón de Encendido para apagar la lavadora. • Desactive la función de bloqueo para niños; consulte Configuración del bloqueo de control en la página 33. • Comuníquese con el centro de servicio de Midea.

GARANTÍA LIMITADA PARA LAVADORA DE ROPA MIDEA

COLOQUE SU RECIBO AQUÍ. SE REQUIERE UN COMPROBANTE DE COMPRA PARA OBTENER EL SERVICIO DE GARANTÍA.

Tenga a disposición la siguiente información cuando llame al Centro de servicio al cliente:

- Nombre, dirección y número de teléfono
- Número de modelo y número de serie
- Una descripción clara y detallada del problema
- Un comprobante de compra que incluya el nombre y la dirección del distribuidor o minorista

SI REQUIERE SERVICIO:

1. Antes de comunicarse con nosotros para organizar el servicio, determine si el producto requiere reparación. Algunas preguntas pueden resolverse sin el servicio técnico. Tome unos minutos para revisar la sección Resolución de problemas en el Manual del usuario, o visite <http://us.Midea.com/support>
2. Todo el servicio de garantía es proporcionado exclusivamente por nuestros proveedores de servicios de Midea autorizados, en los EE. UU. y Canadá.

Servicio al Cliente de Midea

En los EE. UU. o Canadá, llame al 1-866-646-4332 o envíe un correo electrónico a customerserviceusa@midea.com.

Si se encuentra fuera de los 50 estados de los Estados Unidos o Canadá, comuníquese con su distribuidor autorizado de Midea para determinar si aplica otra garantía.

GARANTÍA LIMITADA

LO QUE ESTÁ CUBIERTO

GARANTÍA LIMITADA DEL PRIMER AÑO (PIEZAS Y MANO DE OBRA)

Durante un año a partir de la fecha de compra, si este aparato principal se instala, opera y mantiene de acuerdo con las instrucciones adjuntas o suministradas con el producto, Midea America Corporation (en adelante "Midea") pagará por las piezas de repuesto especificadas en la fábrica y la mano de obra de reparación para corregir defectos en los materiales o en la mano de obra que existían cuando se compró este aparato principal, o a su entera discreción reemplazará el producto. En caso de reemplazo del producto, su aparato estará garantizado por el período restante del período de garantía de la unidad original.

GARANTÍA LIMITADA DE POR VIDA (TINA DE ACERO INOXIDABLE)

Durante la vida útil del producto, a partir de la fecha de compra original, siempre que este aparato principal se instale, opere y mantenga de acuerdo con las instrucciones adjuntas o suministradas con el producto, Midea pagará por las piezas de fábrica especificadas y la mano de obra de reparación para los siguientes componentes para corregir defectos no estéticos en los materiales o en la mano de obra que existían cuando se compró este aparato principal:

- Tina de acero inoxidable

SU ÚNICO Y EXCLUSIVO RECURSO BAJO ESTA GARANTÍA LIMITADA SERÁ LA REPARACIÓN O EL REEMPLAZO DEL PRODUCTO CONFORME SE ESTABLECE EN EL PRESENTE. El servicio técnico debe ser provisto por una empresa de servicio técnico designada por Midea. Esta garantía limitada es válida solamente en los 50 estados de los Estados Unidos o en Canadá y se aplica únicamente cuando el electrodoméstico se utiliza en el país en el que se adquirió. Esta garantía limitada entra en vigencia a partir de la fecha de compra original del consumidor. Se requiere un comprobante de la fecha de compra original para obtener el servicio bajo esta garantía limitada.

GARANTÍA LIMITADA

LO QUE NO CUBRE

1. El uso comercial, no residencial o de múltiples familias, o uso incompatible con las instrucciones del usuario, del operador o de instalación publicadas.
2. Instrucciones en el hogar sobre cómo usar el producto.
3. El servicio para corregir el mantenimiento o la instalación incorrectos del producto, la instalación no conforme a los códigos eléctricos o la reparación del sistema eléctrico doméstico (es decir, cableado de la casa, fusibles, etc.).
4. Piezas consumibles (es decir, bombillas, baterías, filtros de aire o agua, etc.).
5. Defectos o daños causados por el uso de piezas o accesorios no originales de Midea.
6. Daños por accidente, mal uso, abuso, incendio, inundaciones, problemas eléctricos, casos fortuitos o el uso con productos no aprobados por Midea.
7. Reparaciones de piezas o sistemas para corregir daños o defectos del producto causados por el servicio, la alteración o la modificación no autorizados del aparato.
8. Daños cosméticos, incluyendo rayones, abolladuras, astillas y otros daños en los acabados del aparato, a menos que tal daño resulte de defectos en los materiales y la mano de obra, y se informen a Midea en un plazo de 30 días.
9. El mantenimiento de rutina del producto.
10. Productos comprados “en el estado en que se encuentran” o reacondicionados.
11. Productos que han sido trasladados desde su propietario original.
12. Decoloración, óxido u oxidación de superficies resultantes de ambientes cáusticos o corrosivos incluyendo, a título enunciativo pero no limitativo, altas concentraciones de sal, alta humedad o exposición a productos químicos.
13. Recogida o entrega. Este producto está diseñado para reparaciones en el hogar.
14. Gastos de viaje o transporte por el servicio en lugares remotos donde un centro de servicio autorizado de Midea no está disponible.
15. La eliminación o reinstalación de aparatos inaccesibles o accesorios incorporados (es decir, moldura, paneles decorativos, suelos, gabinetes, islas, encimeras, paneles de yeso, etc.) que interfieren con el mantenimiento, la extracción o el reemplazo del producto.
16. El servicio o piezas para aparatos con números de serie/modelo originales eliminados, alterados o no fácilmente identificados.

El costo de reparación o reemplazo conforme a estas circunstancias excluidas correrá a cargo del cliente.

EXENCIÓN DE RESPONSABILIDAD DE LAS GARANTÍAS IMPLÍCITAS

LAS GARANTÍAS IMPLÍCITAS, INCLUIDA CUALQUIER GARANTÍA IMPLÍCITA DE COMERCIABILIDAD O GARANTÍA IMPLÍCITA DE IDONEIDAD PARA UN FIN PARTICULAR, SE LIMITAN A UN AÑO O AL PERÍODO MÁS CORTO PERMITIDO POR LA LEY. Algunos estados y provincias no permiten limitaciones a la duración de las garantías implícitas de comerciabilidad o idoneidad, de manera que esta limitación podría no aplicar para usted. Esta garantía le otorga determinados derechos legales, y usted cuenta además con otros derechos que varían según el estado o la provincia.

EXENCIÓN DE RESPONSABILIDAD DE LAS DECLARACIONES AJENAS A LA GARANTÍA

Midea no hace ninguna declaración respecto de la calidad, durabilidad o necesidad de servicio técnico o reparaciones para este electrodoméstico, salvo las declaraciones incluidas en esta garantía. Si desea obtener una garantía más extensa o integral que la garantía limitada que se ofrece con este electrodoméstico, consulte con Midea o su minorista sobre la posibilidad de adquirir una garantía extendida.

LIMITACIÓN DE RECURSOS; EXCLUSIÓN DE RESPONSABILIDAD POR DAÑOS OCASIONALES E INDIRECTOS

SU ÚNICO RECURSO EXCLUSIVO EN VIRTUD DE ESTA GARANTÍA LIMITADA SERÁ LA REPARACIÓN DEL PRODUCTO SEGÚN SE INDICA. MIDEA NO SERÁ RESPONSABLE POR DAÑOS OCASIONALES O INDIRECTOS. Algunos estados y provincias no permiten la exclusión o limitación de responsabilidad respecto de los daños ocasionales o indirectos, de manera que esta limitación podría no aplicar para usted. Esta garantía le otorga determinados derechos legales, y usted cuenta además con otros derechos que varían según el estado o la provincia.

Midea INFORMACIÓN DE REGISTRO

PROTEJA SU PRODUCTO:

Mantendremos archivados el número de modelo y la fecha de compra de su nuevo producto Midea para ayudarlo a consultar esta información en caso de una reclamación de seguro, como el incendio o robo.

El registro del producto no es obligatorio. El no completar y devolver la tarjeta o el formulario no disminuye los derechos de garantía del consumidor.

Regístrese en línea a través de **<https://us.midea.com/product-registration>**

*Considere dejar una reseña del cliente en **www.midea.com**.*

Midea America Corp.
5 Sylvan Way
Parsippany, NJ 07054
Servicio al Cliente 1-866-646-4332

Hecho en China

**Extensión gratuita
de 3 meses* del período
de la garantía limitada original.
Simplemente envíe una foto de su
comprobante de compra por
mensaje de texto al:**

1-844-224-1614

***La extensión de la garantía es por
los tres meses inmediatamente
después de la finalización del
período de la garantía
original del producto.**

The Midea logo consists of a stylized 'M' inside a circle, followed by the word 'Midea' in a bold, sans-serif font.

make yourself at home