



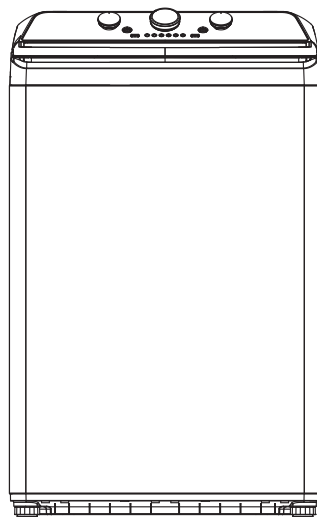
Top-Load Washer

Power supply: 120V-
Frequency: 60Hz
Capacity: 4.1 cu.ft.

Warning:
Before using this product,
please read this manual carefully
and keep it for future reference.
The design and specifications
are subject to change without
prior notice for product
improvement. Consult with
your dealer or manufacturer for
details.

version A

USER MANUAL & INSTALLATION INSTRUCTIONS



**Free 3 months
extension*** of the
original limited warranty
period! Simply text a
picture of your proof of
purchase to:

1-844-224-1614

*The warranty extension is for the
three months immediately following
the completion of the products
original warranty period.

**MODEL NUMBERS
MLTW41A1BWW
www.midea.com**

Dear user

THANK YOU for letting Midea help you “make yourself at home.” This manual is part of our commitment to your total satisfaction. Please read this manual carefully before use and keep it in a convenient place for future reference.

To help us serve you better, please consider registering your product using our convenient Midea app Msmartlife, by visiting **www.midea.com** or by texting a picture of your proof of purchase to 1-844-224-1614.

By using the text option you will earn an additional 3 month warranty extension immediately following the completion of the following the completion of the product's original warranty.

SAFETY INSTRUCTIONS	4
FEATURES	11
Package contents.....	11
Main components.....	12
OPERATION REQUIREMENTS	13
Electrical requirements	13
Water requirements.....	14
Drainage requirements.....	14
INSTALLATION INSTRUCTIONS	15
Unpacking your washer	15
Choosing a location.....	16
Tools you will need	18
Connect the water hoses	19
Connect the drain hose.....	21
Level your washer	23
Power on.....	24
Run a test cycle.....	25
WASHER USE	26
Control panel.....	26
Washing a load of laundry	27
Selecting a detergent	27
Loading the fabric softener compartment.....	30

WASHER CARE	32
Cleaning and Maintenance	32
BEFORE YOU CALL FOR SERVICE	34
Troubleshooting tips	34
Error codes	37
WARRANTY	38
PRODUCT REGISTRATION	40

READ AND KEEP THESE INSTRUCTIONS FOR FUTURE REFERENCE

This manual contains important information on the installation, use, and care of your appliance. Please read this manual carefully before installation and operation of this machine to prevent injury and property damage.

Warnings and Important Safety Instructions in this manual DO NOT cover all possible conditions and situations that may occur. It is your responsibility to use common sense, caution and care when installing, maintaining and operating your washer.



CAUTION
RISK OF ELECTRIC SHOCK
DO NOT OPEN



SAFETY INSTRUCTIONS

YOUR SAFETY AND THE SAFETY OF OTHERS ARE VERY IMPORTANT

To prevent injury to the user or other people and property damage, the instructions shown here must be followed. Incorrect operation due to ignoring of instructions may cause harm or damage, including death.

The level of risk is shown by the following indications.



This indicates that hazards or unsafe practices may cause serious personal injury or death. To reduce the risk of fire, explosion, electric shock or personal injury when using your washing machine, you SHOULD follow these basic safety precautions.



This indicates that hazards or unsafe practices may cause minor personal injury or property damage.



This symbol indicates that there are important operating and maintenance instructions in the literature accompanying your washing machine.

WARNING

State of California Proposition 65 Warnings.

The California Safe Drinking Water and Toxic Enforcement Act requires the Governor of California to publish a list of substances known to the State of California to cause cancer, birth defects or other reproductive harm and requires businesses to warn of potential exposure to such substances. This product contains a chemical known to the State of California to cause cancer, birth defects or other reproductive harm. This appliance can cause low-level exposure to some of the substances listed, including benzene, formaldehyde and carbon monoxide. Cancer and Reproductive Harm - www.P65Warnings.ca.gov.

WARNING

Do not store or use gasoline or other flammable vapors and liquids in the vicinity of this or any other appliance.

IMPORTANT SAFETY INSTRUCTIONS

Save These INSTRUCTIONS

WARNING

- Read all instructions before using the appliance.
- Use this appliance only for its intended purpose as described in this Owner's Manual.
- Before use, the washer must be properly installed as described in this manual.
- ALWAYS follow the fabric care instructions supplied by the garment manufacturer.
- Do not wash articles that have been previously cleaned in, washed in, soaked in, or spotted with gasoline, dry-cleaning solvents, other flammable or explosive substances as they give off vapors that could ignite or explode.
- Do not allow children to play on or in the appliance. Close supervision of children is necessary when the appliance is used near children.
- Before the appliance is removed from service or discarded, remove the lid of the washing compartment.
- Do not reach into the appliance if the tub is moving.
- Do not install or store this appliance where it will be exposed to the weather or freezing temperatures.
- Do not tamper with the controls.
- Do not repair or replace any part of the appliance or attempt any servicing unless it is specifically recommended in the user maintenance instructions or in published user repair instructions that you understand.
- Hydrogen gas is explosive. If the hot water system has not been used for two weeks or more, before using a washer, turn on all hot water faucets and let the water flow from each for several minutes. This will release any accumulated hydrogen gas. The gas is flammable, so do not smoke or use an open flame during this time.
- Keep the area underneath and around your appliance free of combustible materials (lint, paper, rags and so on), gasoline chemicals, and other flammable vapors and liquids.
- Do not place items exposed to cooking oil in your washer. Items contaminated with cooking oil may contribute to a chemical reaction that could cause a load to catch fire.
- This washer is not designed for maritime use or for mobile installations such as in RVs aircraft and other mobile platforms.
- Turn off the water faucets and unplug the washer if the machine is to be left for an extended period of time, such as during vacations.
- Packaging material can be dangerous for children. There is a risk of suffocation! Keep all packaging away from children.
- Always check the inside of the washer for foreign objects before loading laundry. Keep the lid closed when not in use.



WARNING

- Plug the power cord into an AC 120V/60Hz wall socket rated at 15 amps or higher. Use the socket for this washer only. Do not use an extension cord.
 - Sharing a wall socket with another appliance, using a power strip, or extending the power cord may result in electric shock or fire.
 - Do not use an electric transformer. It may result in electric shock or fire.
 - Make sure that the power voltage, frequency and current match the product's specifications. Failing to do so may result in electric shock or fire.
- Remove all foreign substances such as dust or water from the power plug terminals and contact points using a dry cloth on a regular basis.
 - Unplug the power plug and clean it with a dry cloth.
 - Failing to do so may result in electric shock or fire.
- Plug the power plug into the wall socket in the right direction so that the cord runs towards the floor.
 - If you plug the power plug into the socket in the opposite direction, the electric wires within the cable may be damaged and this may result in electric shock or fire.
- Plug the power plug into the wall socket firmly. Do not use a damaged power plug or loose wall socket, because this may result in electric shock fire.
- Do not pull or excessively bend the power cord. Do not twist or tie the power cord.
- Do not hook the power cord over a metal object. Place a heavy object on the power cord, insert power cord between objects, or push the power cord into the space behind the appliance, because this may result in electric shock or fire.
- Do not pull the power cord when unplugging the power plug.
 - Unplug the power plug by holding the plug.
 - Failing to do so may result in electric shock or fire.
- If the power plug or power cord is damaged, contact your nearest service center.
- Do not install on carpet. Install the washer on a level and solid floor that can support its weight. Failure to do so may result in abnormal vibration, noise or problems with the product.
- The washer is heavy. Two or more people may be needed to install and move the appliance. Failure to do so may result in bodily or other injuries.
- Store and install the washer where it will not be exposed to temperatures below freezing or exposed to outdoor weather conditions. Failure to do so may result in serious leak damage.
- Position the appliance so that the power plug is easily accessible. Failure to do so may result in electric shock or fire due to an electrical short circuit.
- Failure to follow all of the safety warnings in this guide may result in property damage or injury to persons.
- Do not add gasoline, dry-cleaning solvents, or other flammable or explosive substances to the wash water. These substances give off vapours that ignite or explode.



WARNING

Use and Maintenance warnings and Precaution

- If the appliance is flooded, cut the power immediately and contact your nearest service center.
- If the appliance emits a strange noise, a burning smell or smoke, unplug the power plug immediately and contact your nearest service center. Failure to do so may result in electric shock or fire.
- In the event of a gas leak (such as propane or LP gas) ventilate the area immediately. Do not turn any appliance or light on or off.
 - Do not use a ventilating fan.
 - A spark may result in an explosion or fire.
- Do not force the washer lid open while the washer is operating (hightemperature washing, drying or spinning).
 - Water flowing out of the washer may cause burns or cause the floor to be slippery. This may result in injury.
 - Forcing the lid open can damage the product or cause injury.
- Make sure to remove the packaging (sponge, styrofoam) attached to the bottom of the washer before using it.
- Do not insert your hand or a metal object under the washer. This may result in injury.
- Do not attempt to operate this appliance if it is damaged, malfunctioning, partially disassembled or has missing or broken parts, including a damaged cord or plug. This may result in electric shock, fire or death.
- Do not touch the power plug with wet hands. This may result in electric shock.
- Do not turn the appliance off by unplugging the power plug while the washer is in operation. Plugging the power plug into the wall socket again may cause a spark and result in electric shock or fire.
- Keep all packaging material well out of the reach of children, as packaging materials can be dangerous to children. If a child places a bag over his or her head, he or she may suffocate.
- Do not let children or infirm persons use this washer unsupervised. Failure to do so may result in electric shock, burns or injury.
- Do not attempt to repair, disassemble or modify the appliance yourself.
 - Do not use any fuse (such as copper, steel wire etc.) other than the standard fuse.
 - If you need to repair or reinstall the appliance, contact your nearest service center.
 - Failure to do so may result in electric shock, fire, problems with the product or injury.
- If any foreign substance such as water enters the appliance in any area other than the tub, unplug the power plug and contact your nearest service center. Failure to do so may result in electric shock or fire.
- If the water supply hose comes loose from the faucet and floods the appliance, unplug the power plug. Failure to do so may result in electric shock or fire.

- Do not mix chlorine bleach with ammonia or acids such as vinegar. Incorrect usage can produce poisonous gas, resulting in serious injury.
- Do not reach into the washer while parts are moving. Before loading, unloading or adding items, press the Start/Pause button and allow the tub to come to a complete stop before reaching inside. Failure to do so may result in electric shock injury or fire.
- Do not allow children to play on or in the washer. Close supervision of children is necessary when the washer is used near children. As children grow, teach them the proper, safe use of all appliances. Failure to do so may result in serious injury.
- Keep laundry products out of reach of children. Observe all warnings on product labels and follow them. Failure to do so may result in serious injury.
- Disconnect this appliance from the power supply before attempting any user maintenance. Pressing the Power button does not disconnect this appliance from the power supply. Failure to do so may result in electric shock, injury or fire.
- Do not clean the appliance by spraying water directly onto it.
- Do not use benzene, thinner or alcohol to clean the appliance. This may result in discoloration, deformation, damage, electric shock or fire.
- Unplug the power plug when the appliance is not being used for long periods of time or during a thunder/lightning storm. Failure to do so may result in electric shock or fire.
- Keep hands and foreign objects clear of the lid and latch area when closing the lid. Failure to do so may result in personal injury.
- If the washer is contaminated by a foreign substance such as detergent, dirt, or food waste, unplug the power plug and clean the washer with a damp, soft cloth. Failure to do so may result in discoloration, deformation, damage or rust.
- The clear portion of the lid can be broken by a strong impact. Take care when using the washer. If the clear portion is cracked or broken, it may result in injury.
- After a water supply failure or when reconnecting the water supply hose, open the faucet slowly.
- Open the faucet slowly after a long period of non-use. The air pressure in the water supply hose or the water pipe may result in damage to a part or in water leakage.
- If a drain error occurs during an operation, check if there is a draining problem. If the washer is used when it is flooded because of a draining problem, it may result in electric shock or fire due to an electrical short circuit. Do not insert your hand or a metal object under the washer. This may result in injury.
- Insert laundry into the washer completely so that the laundry does not get caught in the lid. If laundry gets caught in the lid, it may result in damage to the laundry or the washer, or result in water leakage.
- Make sure that the faucet is turned off when the washer is not being used.
- Make sure that the water supply hose connectors are properly tightened. Failure to do so may result in property damage or injury.
- Open the faucet and check if the water supply hose connector is firmly tightened and that there is no water leaking before using the product. If the water supply hose connectors are loose, it may result in water leakage.

- Do not stand on top of the appliance or place objects (such as laundry, lighted candles, lighted cigarettes, dishes, chemicals, metal objects, etc.) on the appliance. This may result in electric shock, fire, problems with the product, or injury.
- Do not operate the appliance with wet hands. This may result in electric shock.
- Do not spray volatile material such as insecticide onto the surface of the appliance. As well as being harmful to humans, it may also result in electric shock, fire or problems with the product.
- Do not place an object that generates an electromagnetic field near the washer. This may result in injury due to a malfunction.
- Since the water drained during a high temperature wash or drying cycle is hot, do not touch the water. This may result in burns or injury.
- Do not wash, spin or dry water-proof seats, mats or clothing.
- Do not wash thick, hard mats even if the washer mark is on the care label. This may result in injury or damage to the washer, walls, floor or clothing due to abnormal vibrations.
- Do not operate the washer when the detergent dispenser is removed. This may result in electric shock or injury due to water leakage.
- Do not insert your hand into the detergent dispenser after opening it. This may result in injury because your hand may be caught.
- Do not place any non-laundry objects, such as shoes, food waste or animals into the washer. This can cause abnormal vibrations that can damage the washer, and in the case of pets, cause severe injury or death.
- Do not press the buttons using sharp objects such as pins, knives, or fingernails. This may result in electric shock or injury.
- Do not wash laundry contaminated by oils, creams or lotions usually found in skin-care shops or massage clinics. This may result in the rubber seal becoming deformed and water leakage.
- Make sure that the water inlet pipe is connected and the tap is opened before washing clothes.
- Do not leave metal objects (safety pins, hair pins, and so on) or bleach in the tub for long periods of time. This may cause the tub to rust.
 - If rust appears on the surface of the tub, apply a neutral cleansing agent to the surface and use a sponge to clean it. Never use a metal brush.
- Do not use hot water from water cooling/heating devices. This may result in problems with the washer.
- Do not use natural hand-washing soap in the washer. If it hardens and accumulates inside the washer, it may cause problems with the product, discoloration, rust or bad odors.
- If using a washing net with this machine (not provided), do not wash laundry items such as bedding in the washing net. Doing so may result in injury due to abnormal vibrations. Place only smaller items such as lace socks and lingerie in the washing net.
- Do not use hardened powdered detergent. If it accumulates inside the washer, it may result in water leakage.
- Do not wash throw rugs or doormats. Doing so may cause sand to accumulate inside the washer, resulting in mechanical problems.

WARNING

Grounding/Earthing

- This appliance must be properly grounded.
- Do not ground the appliance to a gas pipe, plastic water pipe or telephone line.
 - Improper grounding may result in electric shock, fire, explosion or problems with the product.
 - Never plug the power cord into a socket that is not grounded correctly. Make sure that the socket you use is grounded in correctly. Make sure that the socket you use is grounded in accordance with local and national codes.

WARNING

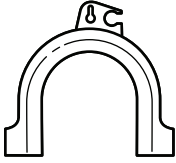
Grounding/Earthing

- Do not install this appliance near a heater or inflammable material.
- Do not install this appliance in a humid, oily or dusty location, or in a location exposed to direct sunlight or water (rain drops).
- Do not install this appliance in a location where gas may leak. Failure to do so may result in electric shock or fire.
- If the washer is moved to a new location, have it checked and reinstalled by a qualified service technician. Failure to follow this warning may result in electric shock or fire.
- Do not pull power cord or drain outlet hose to move appliance to desired location place.

FEATURES

Package Contents

Make sure that the following items came with your washer



Drain Hose Guide (x1)



Manual



Tie (x1)



Filter (x2)

NOTE:

- Use the filters to replace the rubber washers in the water hoses (faucet sides).

Main Components

Safety Instructions

Features

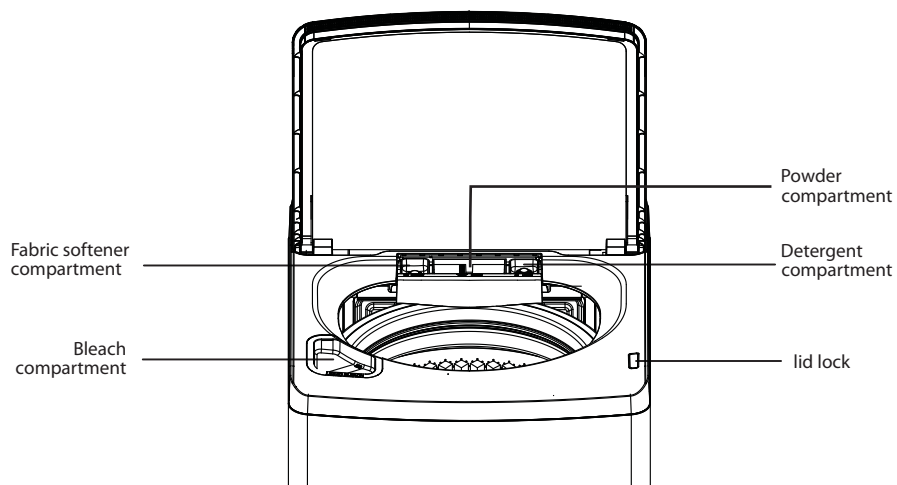
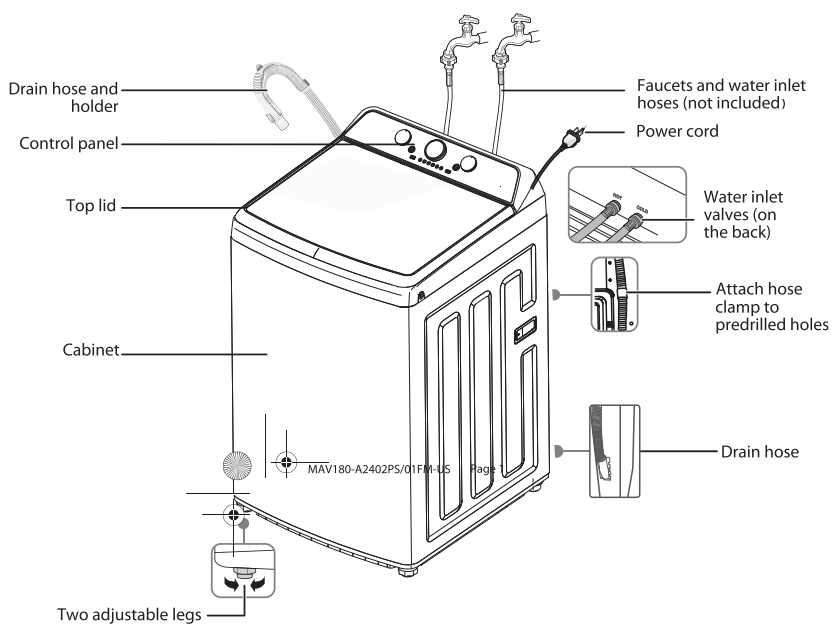
Operation Requirements

Installation Instructions

Washer Use

Washer Care

Troubleshooting



OPERATION REQUIREMENTS

Electrical requirements

WARNING

- To reduce the risk of fire, electric shock, or injury to persons, read the IMPORTANT SAFETY INSTRUCTIONS before operating this appliance.
- Fail to closely follow these instructions may result in an abnormal vibrating and out-of-balance condition that could result in physical injury, damage, and/or appliance damage.

Use a 120 Volt, 60Hz, 15 amp fuse or circuit breaker. We recommend an individual branch circuit that serves only your washer.

WARNING

Never use an extension cord.

Electrical grounding is required for your washer.

You must ground your washer. IN the event of a malfunction or breakdown, grounding reduces the risk of electric shock by providing a path of least resistance for the electric current.

Your washer is equipped with a power cord with a three-pronged grounding plug for use in a correctly installed and grounded outlet.

The outlet must be correctly installed and grounded in accordance with all local codes and ordinances.

WARNING

- You are responsible for providing adequate electrical services for your washer.
- An incorrectly connected equipment-grounding conductor can increase the risk of electrical shock. Check with a qualified electrician or serviceman if you are not sure whether your washer is grounded correctly.
- Do not modify the power cord plug that came with your washer. If the plug does not fit the outlet, have the correct type outlet installed by a qualified electrician.
- To prevent unnecessary risk of fire, electrical shock or personal injury, all wiring and grounding must be done in accordance with the National Electrical Code ANSI/FNPA, No.70 Latest Revision and local codes and ordinances.
- Never connect the ground wire to plastic plumbing lines, gas lines or hot water pipes.

Water requirements

To fill your washer in the correct amount of time, the water pressure needs to be between 14 and 116 psi (100 to 800 kPa).

If the water pressure is less than 14 psi (100 kPa):

- The water valve may fail or may not shut off completely.
- The time it takes to fill your washer may be longer than the time your washer controls allow. Your washer will turn off and report an error. A time-limit is built into the controls to prevent flooding in your home if a hose becomes loose.
- Water inlet hoses must be purchased separately. You can buy inlet hoses in various lengths up to 8 ft. (240 cm).

To avoid the possibility of water damage:

- Make sure that the water faucets are easily accessible.
- Turn off the faucets when you are not using your washer.
- Periodically check to make sure that water is not leaking from the water hose fittings.

Drainage requirements

The recommended height for the drain standpipe is 48 in. (122 cm).

The drain hose must be routed through the drain hose clip to the standpipe.

The standpipe must be large enough to accept the outside diameter of the drain hose.

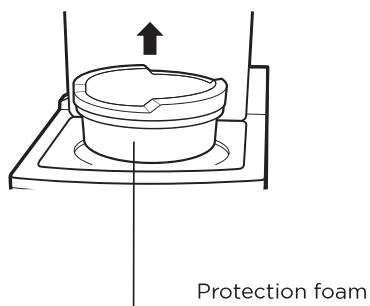
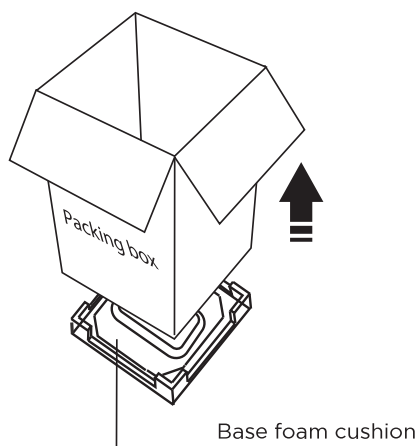
INSTALLATION INSTRUCTIONS

Unpacking your washer

WARNING

- Packing materials can be dangerous to children. Keep all packing materials (plastic bags, polystyrene, and so on) well out of the reach of children.
- Do not operate your washer on the foam base cushion. Doing so will result in serious vibration, which could cause equipment damage or result in physical injury.

Remove the packing box and lift the washer up and away from the foam base cushion. Open the lid of the washer to take out all accessories including the protective foam.



Choosing a location

WARNING

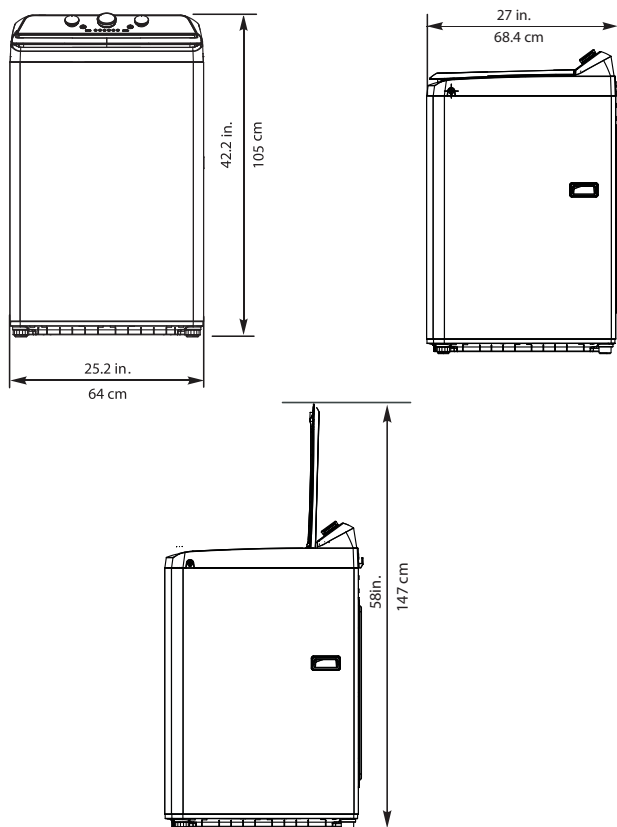
- Do not install your washer in areas where water may freeze, because your washer always retains some water in its water valve, pump and hose areas. Frozen water can damage the valve, pump, hoses and other components.
- Never install on a platform or weakly supported structure.

For best performance, you must install your washer on a solid, level floor.

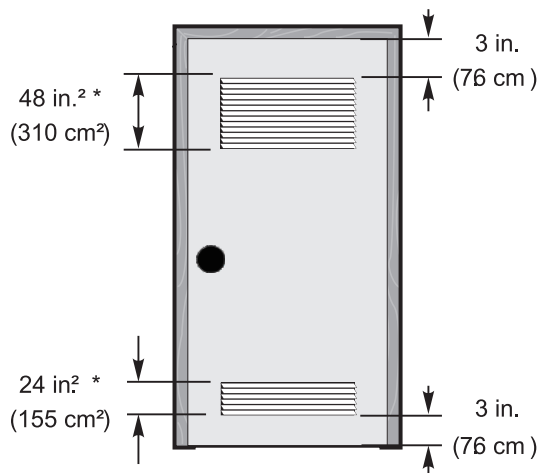
Wooden floors may need to be reinforced to minimize vibration or unbalanced load situations.

Carpeting and soft tile surfaces can contribute to excessive vibration, which can cause your washer to move slightly during the spin cycle.

Washer dimensions and installation measurements



If you install your washer in an alcove or closet, the front of the closet must have two unobstructed air openings for a combined minimum total area of 72 sq.in. (465 sq.cm) with a minimum clearance of 3 in. (7.6 mm) at the top and bottom. A slatted door with equivalent space clearance is acceptable.

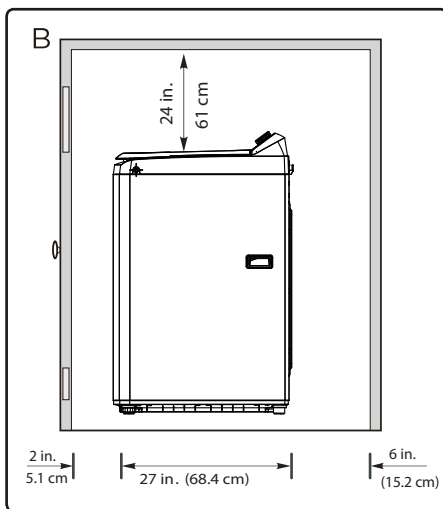
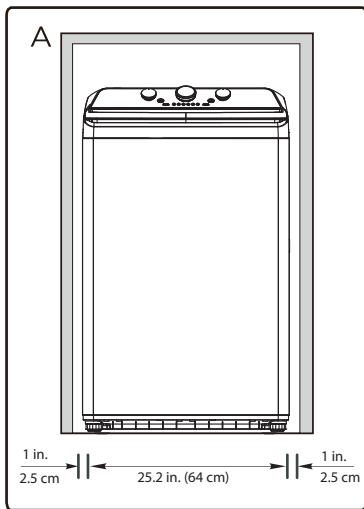


Installing in an alcove or closet

Minimum clearances between your washer and adjacent walls or other surfaces are:

- **Either side:** 1 in. (2.5 cm)
- **Rear:** 6 in. (15.2 cm)
- **Closet Front:** 2 in. (5.1 cm)
- **Top:** 24 in. (61 cm)
- **Gap between the end of water valve and the wall:** 6 in. (15.2 cm)

If you install your washer and dryer side-by-side in a closet, the closet front must have an unobstructed air opening of at least 72 square inches (465 square cm).



A. Recessed area

B. Side view - closet or confined area

WARNING

- Is a hard, level surface without carpeting or soft flooring that can obstruct ventilation.
- Is away from direct sunlight.
- Has adequate ventilation.
- Is not exposed to freezing temperatures (32 F or 0 C).
- Is away from heat sources such as oil or gas.
- Has enough space so that the washer does not rest on its power cord.

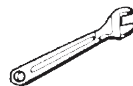
Tools you will need



Pliers



Level



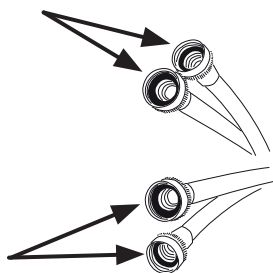
Adjustable
wrench that
opens to 1"
(25 mm)

Connecting the water hoses

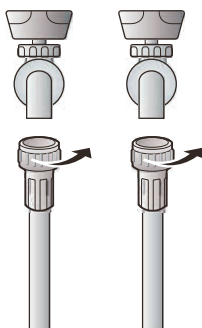
NOTE: The water supply hoses are not supplied with your washer and must be purchased separately.

Caution

- Use new water supply hoses. Using old hoses can result in leakage or overflow that can damage your property.
 - Do not connect multiple water supply hoses together to increase the length of the hose. Hoses connected this way can leak and cause electrical shock. If a hose is too short, replace the hose with a longer, high-pressure hose.
1. Make sure that there are rubber washers inside the fittings at both ends of each new water hose. Remove the rubber washers in faucet side and replace with filters. Installing the water supply hoses without rubber washers can cause water leakage.



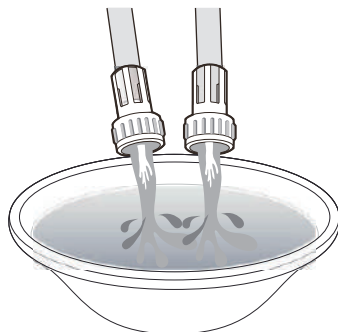
2. Tighten the hose and faucet fittings by hand until they are snug, then tighten them an additional two-thirds of a turn with pliers or a wrench. Pull the water supply hoses downwards to make sure that they are connected securely.



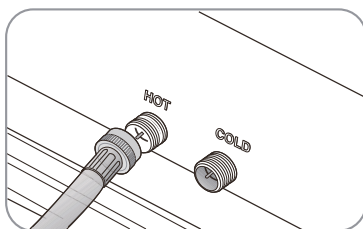
Caution

Do not overtighten the fittings or apply tape or sealant to the faucets or water supply intake. This can damage the fittings.

3. Place the unconnected ends of the hoses into a bucket and turn on the faucets connected to the water supply hoses for 10 or 15 seconds to remove any foreign substances. Turn off the faucets.



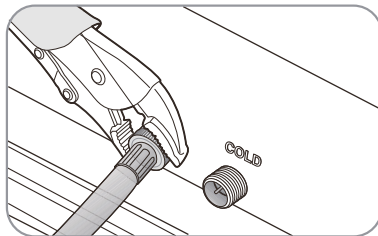
4. Connect the ends of the water supply hoses to the water supply intake connections at the top of the washer. Make sure that the rubber washers are in place. The water supply hose connected to the hot faucet must be connected to the hot water supply intake and the water hose connected to the cold faucet must be connected to the cold water supply intake.



NOTE: If you do not want to use the hot water supply hose, insert a water intake cap into the hot water supply intake hole. In this case you must select the Tap Cold option for the water temperature.

NOTE: No intake cap is provided with your washer. It must be purchased separately.

5. Tighten the fittings by hand until they are snug, and then tighten them an additional two-thirds of a turn with a pliers.



Caution

- Do not overtighten the fittings or apply tape or sealant to the faucets or water supply intakes. This can damage the fittings.
- Make sure that the water supply hoses are not twisted or bent. A bent or twisted hose can leak and cause an electric shock due to the water leakage. To ensure the correct water usage, connect both hot and cold water faucets. If either or both are not connected, an error code could occur.

6. Turn on the hot and cold water supplies and check all the water supply intake connections and the faucets for water leaks.

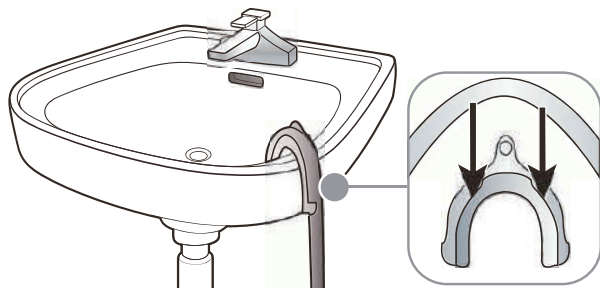
Connect the drain hose

1. Put the Drain Hose out of the Clamp.
2. Position the other end of the drain hose.
It can be positioned in three ways.

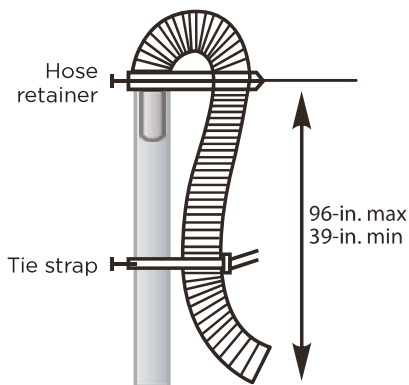
4 Caution

Make sure that the connection between the drain hose and the wash basin, standpipe or laundry tub is not airtight.

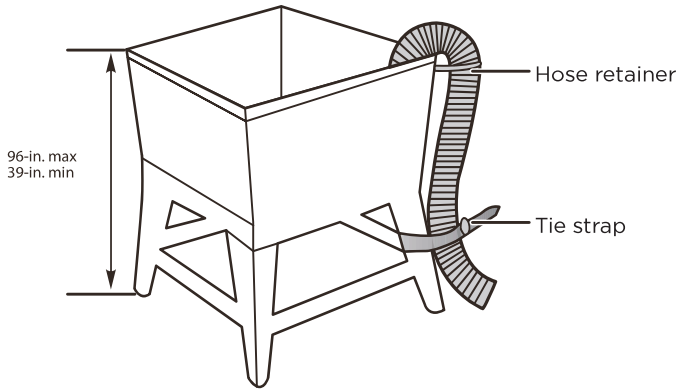
- **Over the edge of wash basin** - Secure the guide to the side of the basin wall with a hook, tape it or tie it with a piece of cord to prevent the drain hose from moving.



- **In a standpipe** - The standpipe must be no shorter than 39 in. (99 cm) and no longer than 96 in. (244 cm).



- **In a laundry tub** - The laundry tub must be no shorter than 39-in. (99 cm) and no higher than 96-in (244 cm) maximum.



Level your washer

Caution

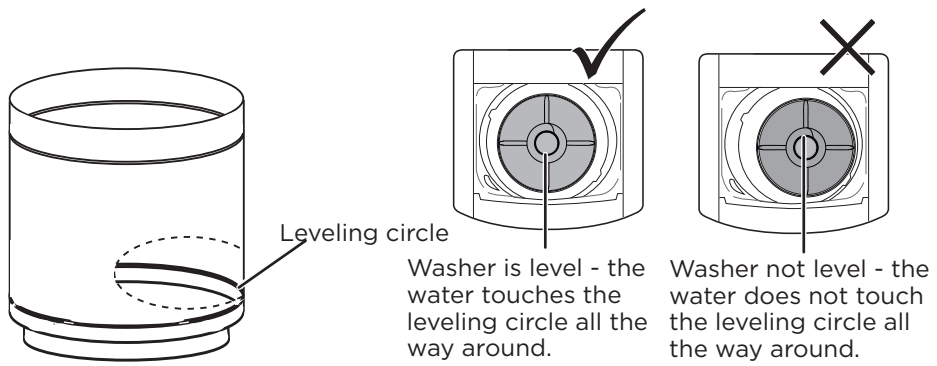
Do not use your washing machine without leveling. If your washer is not level, it may:

- Vibrate excessively which can cause your washer to malfunction.
- Make excessive noise.
- Indicate error codes when the washer is running.

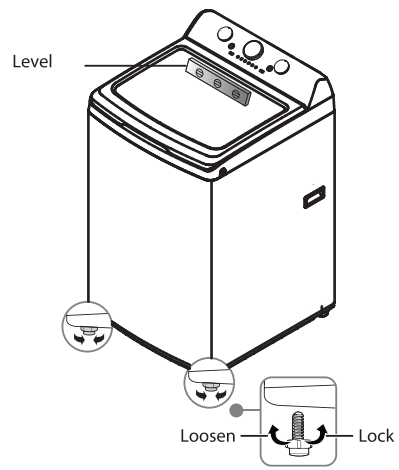
Extend the leveling feet only as much as is necessary. If the feet are extended too much, your washer may vibrate.

Determine if the washer is level by checking the position of the tub or by using a level.

1. Slide the washer into position.
2. Open the lid of the washer, then pour water into the tub to the leveling circle. If the washer is level, the water will touch the leveling circle all the way around. If the washer is not level, the water will only touch part of the leveling circle.



3. If your washer is not level, carefully tilt your washer just enough to adjust the leveling feet on the bottom front of your washer. Extend the feet only as much as is necessary. If the feet are extended too much, your washer may vibrate



Power on

Plug the power cord into a well-grounded, 3-prong, 120 Volt 60 Hz approved electrical outlet, protected by a 15-amp fuse or comparable circuit breaker. Your washer is grounded through the third prong of the power cord.

Run a test cycle

Run a test cycle to make sure that your washer is properly installed.

1. Load about 6 pounds (2.7 kg) of laundry into the tub.
2. Select the **Cycles** knob to turn on your washer.
3. Press the **Start Pause** button to start the test cycle. Your washer should not rock or vibrate excessively when water fills the tub or when washing or spinning. The washer should drain well during the spin cycle.



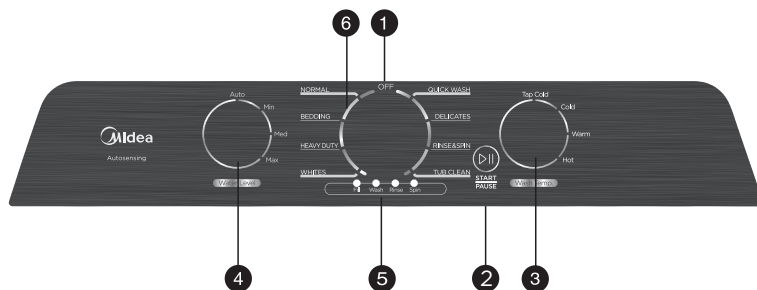
Caution

- If you detect any water leaks while the washer is filling or draining, check the water connections. See **Connect the water hoses** on page 19 or **Connect the drain hose** on page 21.
- If the washer rocks and/or vibrates excessively, level it again. See **Level your washer** on page 23.
- The electrical valve, retractor, motor and drain pump of this appliance are intentionally not grounded and may present a risk of electric shock during serving. Do not contact these electronic devices while the appliance is energized.

WASHER USE

Control panel

MAV180-A2402PS/01FM-US



1 Off Button

Turn to select Off to turn off your washer.

2▶II/Start Pause Button

Press once to start the wash cycle. Press again to pause the cycle. If you pause the cycle, you can add or remove items, but you cannot change any settings. Press again to restart the cycle.

3 Wash Temp. Select

Turn to select the washing water temperature. The rinse water temperature is always cold.

4 Water Level Selector

Turn to select the water level selector, increase one water level.

5 Cycle status lights

Flash to indicate what part of the cycle your washer is in. For example, the Soak Flash turns on when your washer is in the Soak process.

6 Cycle Selector

Turn to select a wash cycle. The cycle you select determines the wash pattern for the cycle. For more information, see Washer options and setting on page 25.

Washing a load of laundry

WARNING

To reduce the risk of fire, electric shock, or injury to persons, read the **SAFETY INSTRUCTIONS** before operating this appliance.

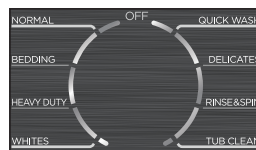
Selecting a detergent

Your washer is designed to use high efficiency (HE) detergents.

- For the best cleaning results, use an HE detergent. We recommend that you do not use a regular detergent. HE detergents contain suppressors that reduce or eliminate suds. When fewer suds are produced, the load tumbles more efficiently and cleaning is maximized.
- Reducing the amount of detergent may reduce the quality of cleaning. Make sure that you:
 - Pre-treat stains.
 - Sort carefully by color and soil level.
 - Avoid overloading.

1. Turn on your washer

- Your washer will run with cycle selections you choose.
- The lights will display different combinations according to the different cycles you choose.



2. Load your washer

Caution

Before loading your laundry, make sure that you remove coins, keys, and other hard objects and close zippers. These items may damage clothes and the washer.

- Sort laundry by fabric type, soil level, color, and load size.
- The wash drum may be fully loaded with loosely added items.

NOTE:

- Overloading may reduce washing efficiency, cause excess wear, and possibly cause creasing or wrinkling of the load.
- Wash delicate items such as bras, hosiery and other lingerie on the **Delicates** cycle with similar lightweight items.

Loading Examples

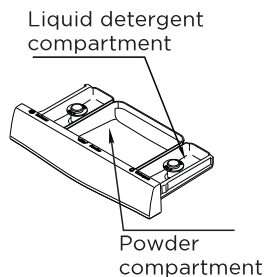
WORKWEAR	LINENS	MIXED LOAD	DELICATES	QUICK WASH (less than 6 lb)
5 Jeans 5 worker Wear Shirts 3 Woork Wear Pants	2 Bath Sheet 8 Bath Towels 10 Washcloths 6Hand Towels 2 Terrycloth Bath Mat OR 2 Flat Queen-Sized Sheet 2 Fitted Queen-Sized Sheet 4 Pillowcases	3 Pillowcases 3Hand Towel 1Flat Sheet/ 1Fitted Sheet 4Bath Towels/ 4 Washcloths OR 6 Shirts (Men's or Women's) 4Pair Pants (Khakis or Twills) 4 T-shirts 4Pairs of Boxers 3 Pairs of Shorts OR 6 T-shirts 3 Pairs of Shorts 3 Sweatshirts 2 Hoodie 8 Pairs of Socks	6 Bras 6 panties 3 Slips 2Camisole 5 Nightgowns	4 Casual Wear Work Shirts 2 pair Casual Wear Work Pants OR 6 Soccer Uniforms

NOTE:

- Overloading may reduce washing efficiency, cause excess wear, and possibly cause creasing or wrinkling of the load.
- Wash delicate items such as bras, hosiery and other lingerie on the **Delicates** cycle with similar lightweight items.

- When washing big, bulky items (such as rugs or pillows) or a few smaller items (such as stuffed toys or one or two sweaters) that do not fill the tub completely, add a few towels to improve spin performance.
- Always use the **Bulky** cycle for bulky items.
- When washing heavily soiled loads, do not overload your washer to ensure good cleaning results.

3. Add detergent and additives to the compartment



Loading the liquid or powder detergent compartment

- Loading liquid or powder detergent in the compartment indicated.
- Pour the recommended amount of laundry detergent directly into the compartment before starting your washer.
- If you are using color-safe bleach, add it with the detergent to the detergent compartment.

NOTE:

- When adding color-safe bleach with detergent, both laundry products should be in the same form (liquid).
- If no detergent compartment, you should add the detergent into the tub.

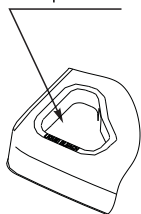
Loading PODs in the washer

- First load PODs directly the bottom of an empty basket
- Then add clothes on top of the PODs

NOTE:

- Loading PODs at the bottom of the basket will improve wash performance and will enable detergent to dissolve more easily in the wash.

Bleach compartment



Loading the bleach compartment (liquid bleach only)

- Add chlorine bleach to the bleach compartment. Do not over-fill the compartment.
- There is no water inlet to the bleach dispenser, so the bleach will directly load into the tub when you pour it in.

Caution

- Avoid splashing or over-filling the compartment.
- Never pour undiluted liquid chlorine bleach directly onto the load or into the tub. Doing so can damage fabrics, by weakening of the fibers or stripping the color.

NOTE: Do not pour color-safe bleach into the bleach compartment. Instead, add it to the detergent compartment.

Loading the fabric softener compartment

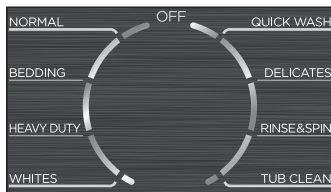
- Pour the recommended amount of liquid fabric softener into the softener compartment.
- The dispenser automatically releases liquid fabric softener at the correct time during the rinse cycle.
- Whenever fabric softener is used, please make sure to select FABRIC SOFTNER on the Rinse selector knob.

Caution

- Use the softener compartment **ONLY** for liquid fabric softeners.
- Do not use the **Downy Ball®** in the fabric softener compartment.
- Do not use liquid fabric softener that is too thick as it may not mix with the water sufficiently.
- Be sure to select the Fabric Softener option when using fabric softener so that it is released in the rinse portion of the cycle.

4. Add detergent and additives to the compartment

- Turn the cycle selector to select a washing cycle. For information on wash cycles, see Washer options and settings on page 32.



5. Start your washer

- Press the **Start Pause** button.

NOTE:

- As your washer moves from stage to stage in the wash cycle, the related light turns on (such as **Rinse** or **Spin**).



- If you need to pause the cycle (for example to add or remove items or adjust the load), press the **Start Pause** button, then open the lid. Your washer stops. When you are ready to resume washing, close the door, then press the **Start Pause** button.

5. Upload your laundry

When the wash cycle is complete:

- When the wash cycle is complete.
- Open the lid and remove the laundry.

Washer options and settings

- Double beep when button pressed means option not livable for the cycle.

Options and settings table of MAV180-A2402PS/01FM-US

- For best washing performance, we suggest the loading weight be less than 17.64 lbs. (8.0 kg) (Dry clothes)
- Bolded options are initial settings. (dots) indicate optional functions you can select.

Program	Water Level	Temp.	Rinse Times
Normal	Auto/1-3	TapCold/Cold/Warm/Hot	1
Quick Wash	2	TapCold/Cold/Warm/Hot	1
Delicates	2	TapCold/Cold/Warm/Hot	1
Rinse&Spin	Auto/1-3	TapCold	1
Tub Clean	3	Hot	1
White	Auto/1-3	TapCold/Cold/Warm/Hot	2
Heavy Duty	Auto/1-3	TapCold/Cold/Warm/Hot	2
Bedding	Auto/1-3	TapCold/Cold/Warm/Hot	2

WASHER CARE

Caution

Turn off the water faucets after final use. This shuts off the water supply to your washer and prevents the possibility of damage from escaping water. Leave the lid open to let the inside of your washer dry out.

Cleaning and Maintenance

Cleaning the exterior

Use a soft cloth to wipe up all detergent, bleach, or other spills as they occur.

Cleaning the interior

- Clean the interior of your washer periodically to remove any dirt, soil, odor, mold, mildew, or bacterial residue that may remain in your washer as a result of washing clothes.
- Failure to follow these instructions may result in unpleasant conditions, including odors or permanent stains in your washer or on your laundry.
- To remove hard water deposits, use a cleaner labeled "Washer safe".

Cleaning the control panel

- Clean with a soft, damp cloth. Do not use abrasive powders or cleaning pads.
- Do not spray cleaners directly on the panel. The control panel finish may be damaged by some laundry pre-treatment soil and stain remover products. Apply such products away from your washer and wipe up any spills or over-spray immediately.

Cleaning the detergent, bleach, or softener compartment

- Clean with a soft, damp cloth. Do not use abrasive powders or cleaning pads.
- Do not spray cleaners directly on the panel. The control panel finish may be damaged by some laundry pre-treatment soil and stain remover products. Apply such products away from your washer and wipe up any spills or over-spray immediately.

Cleaning the tub

The **Self Clean** cycle is a self-cleaning cycle that removes the causes of odors that may occur inside your washer without using a cleaning agent. We suggest cleaning the tub about once a month.

WARNING

The electrical valve, retractor, motor and drain pump of this appliance are intentionally not grounded and may present a risk of electric shock during serving. Do not contact these electronic devices while the appliance is energized.



Caution

Never use the tub clean cycle when laundry is in your washer. This may damage the laundry or your washer.

- With the tub empty, add one cup of chlorine bleach to the bleach dispenser.
- Turn the control knob to power on.
- Turn the cycle selector to **TUB**. With the tub empty, add one cup of chlorine bleach to the bleach dispenser.
- Press the **Start Pause** button.

Storing your washer

You can damage your washer if you do not remove water from hoses and internal components before storage.

To prepare your washer for storage:

- Select the **Quick Wash** cycle and add bleach to the washer. Run your washer through the cycle without a load.
- Turn the water faucets off and disconnect the inlet hoses.
- Unplug your washer from the electrical outlet and leave your washer lid open to let air circulate inside the tub.



Caution

If your washer has been stored in below-freezing temperatures, allow time for any leftover water in your washer to dry out before use.

BEFORE YOU CALL FOR SERVICE...

Troubleshooting Tips

Save time and money! Review the charts on the following pages first and you may not need to call for service.

Problem	Solution
Washer does not start	<ul style="list-style-type: none">• Make sure that your washer is plugged in.• Make sure that the lid is closed.• Make sure that the water source faucets are open.• Make sure that you press the Start Pause button to start your washer.• Before your washer starts to fill, it makes a series of clicking noises to make sure that the lid is locked. The washer doesn't drain after the lid locks. For automatic cycles: Before filling, and after the lid locks, a load sensing program starts. Washer will agitate clothing without water to determine load type, water level, and cycle time. Then it fills. This can take up to one minute. Its normal. For non automatic cycles the washer fills after the lid locks.• Check the fuse or reset the circuit breaker.
No water or not enough water	<ul style="list-style-type: none">• Make sure that both faucets are fully turned on.• Make sure that the water pressure is in the range listed in Water requirements on page 14.• Make sure that the water inlet hoses are not kinked. Straighten if necessary.• Disconnect the hoses and clean the screens. The hose filter screens may be clogged.• This is a water efficiency washer. It does not fill to the levels of a standard washer. Low water levels are normal. It is normal for parts of clothing to stick out of the water.• For automatic cycles: Before filling, and after the lid locks, a load sensing program starts. Washer will agitate clothing without water to determine load type, water level, and cycle time. Then it fills. This can take up to one minute. Its normal. For non automatic cycles the washer fills after the lid locks.

Problem	Solution
When washer has excessive vibration or noise	<ul style="list-style-type: none"> • Make sure that your washer is set on a level surface. If the surface is not level, adjust your washer's feet to level your washer. • Make sure that your washer is not touching any other object. • Make sure that the laundry load is balanced. • During the spin process, if clothes are piled to one side of the tub, your washer may stop because of the imbalance. Your washer tries up to three times to solve the problem automatically. If the washer cannot solve the problem, try to manually redistribute clothes inside the tub. • Check to make sure packaging pieces of base foam cushion are not stuck under washer.
Washer stops	<ul style="list-style-type: none"> • Make sure that the power outlet is a working outlet. • Check the fuse or reset the circuit breaker. • Close the lid, then press the Start Pause button to start your washer. For your safety, your washer does not spin unless the lid is closed. • Before your washer starts to fill, it makes a series of clicking noises to make sure that the lid is locked. The washer doesn't drain after the lid locks. For automatic cycles: Before filling, and after the lid locks, a load sensing program starts. Washer will agitate clothing without water to determine load type, water level, and cycle time. Then it fills. This can take up to one minute. Its normal. For non automatic cycles the washer fills after the lid locks. • Sometimes your washer may pause between stages in the cycle. Wait to see if your washer starts again. • Disconnect the inlet hoses and clean the screens periodically. The hose filter screens may be clogged.
Lid is locked or will not open	<ul style="list-style-type: none"> • Press the Start Pause button to pause the washer. You cannot open the lid if the washer is running. • After you pause the washer, it may take a few seconds for the lid lock to release. • If the lid is locked when your washer is not running, press the Power button to turn on your washer. • If power fails while your washer is running, when power is restored, the lid unlocks. Your washer waits three minutes then runs the rest of the cycle.

Problem	Solution
Washer does not drain or spin	<ul style="list-style-type: none"> • Check the fuse or reset the circuit breaker. • Close the lid, then press the Start Pause button to start your washer. For your safety, your washer does not spin unless the lid is closed. • Make sure that the drain hose is not kinked. Straighten as necessary. Make sure that the height of the drain hose is within specified limits. See Drainage requirements on page 14. • The pipes to your sewer system may be clogged. Contact a plumber or qualified repair professional.
Washer does not drain or spin	<ul style="list-style-type: none"> • Make sure that you have selected the correct temp. • Make sure that the water source faucets are fully opened. • Make sure that the hoses are connected to the correct faucet and water intake connections on your washer, then flush the lines. See Connect the water hoses on page 19. • Disconnect the hoses and clean the screens. The hose filter screens may be clogged.
Load is too wet at the end of the cycle	<ul style="list-style-type: none"> • Use a high-efficiency detergent to reduce over-sudsing. See Selecting a detergent on page 28. • The load may be too small. Very small loads (one or two items) may become unbalanced and not spin out completely.
Water leaks	<ul style="list-style-type: none"> • Make sure that all hose connections are tight. See Connect the water hoses on page 19 and Connect the drain hose on page 21. • Make sure that the end of the drain hose is correctly inserted and secured to the drainage system. See Connect the drain hose on page 21. • Avoid overloading. • Use a high-efficiency detergent to reduce over-sudsing. See Selecting a detergent on page 28.
Oversuds condition	<ul style="list-style-type: none"> • Use a high-efficiency detergent to reduce over-sudsing. See Selecting a detergent on page 28. • If you have "soft" water, reduce the amount of detergent. • For small or lightly soiled loads, reduce the amount of detergent.
Prevent odor	<ul style="list-style-type: none"> • Periodically run a Tub Clean cycle to clean the tub. See Cleaning the tub on page 33. • Use a high-efficiency detergent to reduce over-sudsing. Excessive suds collect in nooks and crannies and cause odor. See Selecting a detergent on page 28. • Dry the interior of your washer after the total cycle has finished.

Error Codes

Your washer is equipped with an automatic error-monitoring system to detect and diagnose problems.

Error Code	Possible Cause	Solutions
○○○○●	Water is not supplied.	<ul style="list-style-type: none"> •Make sure the water taps are open. •Make sure the water hoses are not clogged. •Make sure the water taps are not frozen. •Make sure the washing machine is operating with sufficient water pressure. •Make sure that the cold water tap and the hot water tap are properly connected. •Clean the mesh filter as it may be clogged.
	The Water Level sensor is not working properly.	<ul style="list-style-type: none"> •Check WaterLevel Sensor wire harness. •If the information code remains, Call service center.
○○○○○	Water is not draining.	<ul style="list-style-type: none"> • Make sure the drain hose is not frozen or clogged. • Make sure the drain hose is positioned correctly, depending on the connection type. • Clean the debris filter as it may be clogged. • Make sure the drain hose is straightened all the way to the drain system. • If the information code remains, Call service center.
○○○○●	The lid is open.	<ul style="list-style-type: none"> •Close the lid. See Installation instructions to, "Level your washer". •The door lock or PCB may have failed, try steps again. •If the information code remains, Call service center.
○○○○○	Spinning does not work.	<ul style="list-style-type: none"> • Make sure laundry is spread out evenly. •Make sure the washing machine is on a flat, stable surface. •Redistribute the load. If only one item of clothing needs washing, such as a bathrobe or pair of jeans, the final spin result might be unsatisfactory.
●●●●●	The unit is out of balance in spin operation.	<ul style="list-style-type: none"> •Adjust the washer level refer to installation instructions. •If situation continues, call service center
●○○○○	Load sensing failed.	•Call service center.
●●○○○	Water Leveling sensing failed.	•Call service center.

Notice:

1.LED Display:

1)When error happening, Extra Rinse LED will flash and Process LED indicates error code.

2)○-off, ●-flash, ●-on

2.When error happening, the buzzer will beep 5 seconds and repeat once per 15minutes. After 24 hour, machine will power off automatically.

3.When other error happening, please try again first, call up service line if there are still troubles.

MIDEA LAUNDRY WASHER LIMITED WARRANTY

ATTACH YOUR RECEIPT HERE. PROOF OF PURCHASE IS REQUIRED TO OBTAIN WARRANTY SERVICE.

Please have the following information available when you call the Customer Service Center:

- Name, address and telephone number
- Model number and serial number
- A clear, detailed description of the problem
- Proof of purchase including dealer or retailer name and address

IF YOU NEED SERVICE:

1. Before contacting us to arrange service, please determine whether your product requires repair. Some questions can be addressed without service. Please take a few minutes to review the Troubleshooting section of the User Manual, or visit <http://us.Midea.com/support>
2. All warranty service is provided exclusively by our authorized Midea Service Providers, in the U.S. and Canada.

Midea Customer Service

In the U.S.A. or Canada, call 1-866-646-4332 or email customerserviceusa@midea.com.

If outside the 50 States of the United States or Canada, contact your authorized Midea dealer to determine whether another warranty applies.

LIMITED WARRANTY

WHAT IS COVERED

FIRST YEAR LIMITED WARRANTY (PARTS AND LABOR)

For one year from the date of purchase, if this major appliance is installed, operated and maintained according to instructions attached to or furnished with the product, Midea America Corporation (hereafter "Midea") will pay for factory specified replacement parts and repair labor to correct defects in materials or workmanship that existed when this major appliance was purchased, or at its sole discretion replace the product. In the event of product replacement, your appliance will be warranted for the remaining term of the original unit's warranty period.

LIFETIME LIMITED WARRANTY (STAINLESS STEEL TUB)

For the lifetime of the product from the date of original purchase, when this major appliance is installed, operated and maintained according to instructions attached to or furnished with the product, Midea will pay for factory specified parts and repair labor for the following components to correct non-cosmetic defects in materials or workmanship that existed when this major appliance was purchased:

- Stainless steel tub

YOUR SOLE AND EXCLUSIVE REMEDY UNDER THIS LIMITED WARRANTY SHALL BE PRODUCT REPAIR OR REPLACEMENT AS PROVIDED HEREIN. Service must be provided by a Midea designated service company. This limited warranty is valid only in the 50 States of the United States or Canada and applies only when the major appliance is used in the country in which it was purchased. This limited warranty is effective from the date of original consumer purchase. Proof of original purchase date is required to obtain service under this limited warranty.

LIMITED WARRANTY

WHAT IS NOT COVERED

1. Commercial, non-residential or multiple-family use, or use inconsistent with published user, operator or installation instructions.
2. In-home Instruction on how to use your product.
3. Service to correct improper product maintenance or installation, installation not in accordance with electrical codes or correction of household electrical system (i.e. house wiring, fuses, etc.).
4. Consumable parts (i.e. light bulbs, batteries, air or water filters, etc.).
5. Defects or damage caused by the use of non-genuine Midea parts or accessories.
6. Damage from accident, misuse, abuse, fire, floods, electrical issues, acts of God or use with products not approved by Midea.
7. Repairs to parts or systems to correct product damage or defects caused by unauthorized service, alteration or modification of the appliance.
8. Cosmetic damage including scratches, dents, chips, and other damage to appliance finishes unless such damage results from defects in materials and workmanship and is reported to Midea within 30 days.
9. Routine maintenance of the product.
10. Products that were purchased "as is" or as refurbished products.
11. Products that have been transferred from its original owner.
12. Discoloration, rust or oxidation of surfaces resulting from caustic or corrosive environments including but not limited to high salt concentrations, high moisture or humidity or exposure to chemicals.
13. Pick-up or delivery. This product is intended for in-home repair.
14. Travel or transportation expenses for service in remote locations where an authorized Midea servicer is not available.
15. Removal or reinstallation of inaccessible appliances or built-in fixtures (i.e. trim, decorative panels, flooring, cabinetry, islands, countertops, drywall, etc.) that interfere with servicing, removal or replacement of the product.
16. Service or parts for appliances with original model/serial numbers removed, altered or not easily identified.

The cost of repair or replacement under these excluded circumstances shall be borne by the customer.

DISCLAIMER OF IMPLIED WARRANTIES

IMPLIED WARRANTIES, INCLUDING ANY IMPLIED WARRANTY OF MERCHANTABILITY OR IMPLIED WARRANTY OF FITNESS FOR A PARTICULAR PURPOSE, ARE LIMITED TO ONE YEAR OR THE SHORTEST PERIOD ALLOWED BY LAW. Some states and provinces do not allow limitations on the duration of implied warranties of merchantability or fitness, so this limitation may not apply to you. This warranty gives you specific legal rights, and you also may have other rights that vary from state to state or province to province.

DISCLAIMER OF REPRESENTATIONS OUTSIDE OF WARRANTY

Midea makes no representations about the quality, durability, or need for service or repair of this major appliance other than the representations contained in this warranty. If you want a longer or more comprehensive warranty than the limited warranty that comes with this major appliance, you should ask Midea or your retailer about buying an extended warranty.

LIMITATION OF REMEDIES; EXCLUSION OF INCIDENTAL AND CONSEQUENTIAL DAMAGES

YOUR SOLE AND EXCLUSIVE REMEDY UNDER THIS LIMITED WARRANTY SHALL BE PRODUCT REPAIR AS PROVIDED HEREIN. MIDEA SHALL NOT BE LIABLE FOR INCIDENTAL OR CONSEQUENTIAL DAMAGES. Some states and provinces do not allow the exclusion or limitation of incidental or consequential damages, so these limitations and exclusions may not apply to you. This warranty gives you specific legal rights, and you also may have other rights that vary from state to state or province to province.



Midea REGISTRATION INFORMATION

PROTECT YOUR PRODUCT:

We will keep the model number and date of purchase of your new Midea product on file to help you refer to this information in the event of an insurance claim such as fire or theft.

Product registration is not mandatory. Failure to complete and return the card or form does not diminish the consumer's warranty rights.

Register online at <https://us.midea.com/product-registration>
OR

Please fill out and return it to the following address:

Midea America Corp. 759 Bloomfield Ave #386, West Caldwell, NJ 07006-6701

------(detach here)-----

Name:	Model#:	Serial #:
	Card:	
Address:	Date Purchased: Store / Dealer Name:	
City:	State:	Zip:
E-mail Address:		
Area Code:	Phone Number:	
Occupation:		
Did you purchase an additional warranty:	As your Primary Residence:	
How did you learn about this product:	Age:	
<input checked="" type="checkbox"/> Advertising	Marital Status:	
<input checked="" type="checkbox"/> In Store Demo		
<input checked="" type="checkbox"/> Personal Demo		

Information collected or submitted to us is only available to company internal employees for purposes of contacting you or sending you emails, based on your request for information and to company service providers for purposes of providing services relating to our communications with you. All data will not be shared with other organizations for commercial purposes.

Please consider leaving a customer review at www.midea.com.

Midea America Corp.
5 Sylvan Way
Parsippany, NJ 07054
Customer Service 1-866-646-4332

Made in China

**Free 3 months
extension*** of the
original limited warranty
period! Simply text a
picture of your proof of
purchase to:

1-844-224-1614

*The warranty extension is for the
three months immediately following
the completion of the products
original warranty period.



make yourself at home



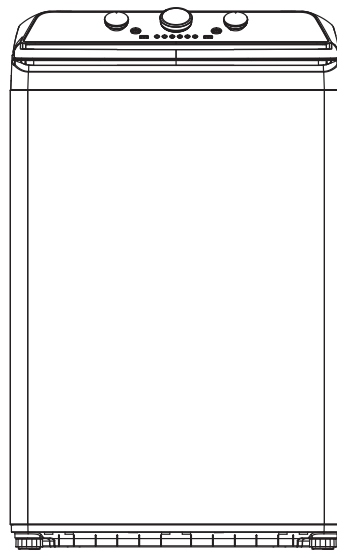
Lavadora de carga superior

Fuente de alimentación: 120 V~
Frecuencia: 60 Hz
Capacidad: 4.1 pies cúbicos

Advertencia:
Antes de utilizar este producto, lea atentamente este manual y guárdelo para consultarlo posteriormente. El diseño y las especificaciones están sujetos a cambios sin previo aviso para mejoras de los productos. Consulte con su distribuidor o fabricante para obtener más información.

versión A

MANUAL DEL USUARIO E INSTRUCCIONES DE INSTALACIÓN



Extensión gratuita de 3 meses* del período de la garantía limitada original. Simplemente envíe una foto de su comprobante de compra por mensaje de texto al:

1-844-224-1614

*La extensión de la garantía es por los tres meses inmediatamente después de la finalización del período de la garantía original del producto.

NÚMEROS DE MODELO
MLTW41A1BWW
www.midea.com

Estimado usuario

GRACIAS por permitir que Midea le ayude a “hacerlo sentir en casa”. Este manual es parte de nuestro compromiso con su satisfacción total. Lea detenidamente este manual antes de utilizar este producto, y guárdelo en un lugar conveniente para su consulta futura.

Para ayudarnos a brindarle un mejor servicio, considere registrar su producto con nuestra práctica aplicación Midea MSmartlife, visitando **www.midea.com** o enviando por mensaje de texto una foto de su comprobante de compra al 1-844-224-1614.

Al utilizar la opción de texto, obtendrá una extensión de la garantía de 3 meses adicionales inmediatamente después de la finalización de la garantía original del producto.

INSTRUCCIONES DE SEGURIDAD	4
CARACTERÍSTICAS	11
Contenido del paquete	11
Componentes principales	12
REQUISITOS DE OPERACIÓN.....	13
Requisitos eléctricos	13
Requisitos de agua	14
Requisitos de desagüe	14
INSTRUCCIONES DE INSTALACIÓN	15
Desembalaje de la lavadora	15
Elegir una ubicación.....	16
Herramientas necesarias	18
Conexión de las mangueras de agua.....	19
Conexión de las mangueras de desagüe	22
Nivelación de la lavadora	23
Encendido	24
Ciclo de prueba.....	25
USO DE LA LAVADORA	26
Panel de control.....	26
Lavado de una carga de ropa.....	27
Selección del detergente	27
Carga del compartimento de suavizante de telas.....	30

CUIDADO DE LA LAVADORA	32
Limpieza y mantenimiento	32
ANTES DE LLAMAR AL SERVICIO TÉCNICO	34
Consejos para la resolución de problemas	34
Códigos de error.....	37
GARANTÍA.....	38
REGISTRO DEL PRODUCTO.....	40

LEA Y GUARDE ESTAS INSTRUCCIONES PARA CONSULTA FUTURA

Este manual contiene información importante sobre la instalación, el uso y el cuidado de su electrodoméstico. Lea este manual cuidadosamente antes de instalar y usar esta lavadora para evitar lesiones y daños materiales.

Las advertencias e instrucciones de seguridad importantes de este manual NO abarcan todas las condiciones y situaciones posibles que puedan ocurrir. Es su responsabilidad usar el sentido común, la precaución y el cuidado al instalar, mantener y operar la lavadora.



PRECAUCIÓN
RIESGO DE DESCARGA ELÉCTRICA
NO ABRIR



INSTRUCCIONES DE SEGURIDAD

SU SEGURIDAD Y LA SEGURIDAD DE LOS DEMÁS ES MUY IMPORTANTE

Para prevenir lesiones del usuario y otras personas y daños materiales, se deben seguir las instrucciones que se muestran debajo. El funcionamiento incorrecto por ignorar las instrucciones puede causar daños o heridas, e incluso la muerte.

El nivel de riesgo se muestra mediante las siguientes indicaciones.



ADVERTENCIA

Esto indica que los peligros o las prácticas inseguras pueden provocar lesiones personales graves o la muerte. Para reducir el riesgo de incendio, explosión, descarga eléctrica, o lesiones personales al usar la lavadora, DEBE seguir estas precauciones de seguridad básicas.



PRECAUCIÓN

Esto indica que los peligros o las prácticas inseguras pueden provocar lesiones personales menores o daños a la propiedad.



ADVERTENCIA

Este símbolo indica que hay instrucciones importantes de funcionamiento y mantenimiento en la documentación que acompaña la lavadora.



ADVERTENCIA

No almacene ni use gasolina u otros vapores y líquidos inflamables cerca de este o de cualquier otro aparato.

INSTRUCCIONES DE SEGURIDAD IMPORTANTES

ADVERTENCIA

- Lea todas las instrucciones antes de utilizar el aparato.
- Utilice este dispositivo únicamente para el propósito previsto como se describe en este Manual del propietario.
- Antes del uso, la lavadora debe instalarse correctamente como se describe en este manual.
- Siga SIEMPRE las instrucciones de cuidado de la tela proporcionadas por el fabricante de la prenda.
- No lave los artículos que hayan sido previamente limpiados, lavados, empapados o manchados con gasolina, disolventes de tintorería u otras sustancias inflamables o explosivas, ya que desprenden vapores que podrían encenderse o explotar.
- No permita que los niños jueguen sobre el aparato ni dentro del mismo. Es necesaria una atenta supervisión de los niños cuando se utiliza el aparato cerca de ellos.
- Antes de retirar el aparato del servicio o desecharlo, retire la tapa del compartimento de lavado.
- No meta las manos en el aparato si la tina está en movimiento.
- No instale ni almacene este aparato en lugares donde esté expuesto a condiciones climáticas o temperaturas de congelación.
- No altere los controles.
- No repare ni reemplace ninguna pieza del aparato, ni intente realizar ningún mantenimiento a menos que se recomiende específicamente en las instrucciones de mantenimiento del usuario o en las instrucciones de reparación del usuario publicadas que comprenda.
- El gas hidrógeno es explosivo. Si el sistema de agua caliente no se ha utilizado durante dos semanas o más, antes de usar una lavadora, encienda todos los grifos de agua caliente y deje que el agua fluya de cada uno durante varios minutos. Esto liberará cualquier gas hidrógeno acumulado. El gas es inflamable, así que no fume ni use una llama abierta durante este tiempo.
- Mantenga el área debajo y alrededor del aparato libre de materiales combustibles (pelusa, papel, trapos, etc.), gasolina, productos químicos y otros vapores y líquidos inflamables.
- No coloque artículos expuestos al aceite de cocina en la lavadora. Los artículos contaminados con aceite de cocina pueden contribuir a una reacción química que podría hacer que una carga se incendie.
- Esta lavadora no está diseñada para el uso marítimo ni para instalaciones móviles como en autocaravanas, aeronaves y otras plataformas móviles.
- Cierre los grifos de agua y desenchufe la lavadora si la máquina se dejará desatendida durante un período de tiempo prolongado, tal como durante las vacaciones.
- El material de embalaje puede ser peligroso para los niños. ¡Existe riesgo de asfixia! Mantenga todo el embalaje lejos del alcance de los niños.
- Revise siempre el interior de la lavadora en busca de objetos extraños antes de cargar la ropa. Mantenga la tapa cerrada cuando no esté en uso.



ADVERTENCIA

- Conecte el cable de alimentación a un tomacorriente de 120 V/60 Hz de CA con una potencia nominal de 15 amperios o superior. Utilice el enchufe solo para esta lavadora. No utilice un cable de extensión.
 - Compartir un tomacorriente con otro aparato, usando una regleta, o extender el cable de alimentación, puede provocar una descarga eléctrica o un incendio.
 - No utilice un transformador eléctrico. Puede provocar una descarga eléctrica o un incendio.
 - Asegúrese de que el voltaje, la frecuencia y la corriente de alimentación coincidan con las especificaciones del producto. De lo contrario, puede producirse una descarga eléctrica o un incendio.
- Retire todas las sustancias extrañas, como el polvo o el agua, de los terminales del enchufe y los puntos de contacto utilizando un paño seco de forma regular.
 - Desconecte el enchufe y límpielo con un paño seco.
 - De lo contrario, puede producirse una descarga eléctrica o un incendio.
- Conecte el enchufe al tomacorriente en la dirección correcta para que el cable vaya hacia el piso.
 - Si conecta el enchufe al tomacorriente en la dirección opuesta, pueden dañarse los cables eléctricos dentro del cable y esto puede provocar una descarga eléctrica o un incendio.
- Conecte firmemente el enchufe al tomacorriente. No utilice un enchufe dañado, o un tomacorriente suelto, ya que esto puede provocar una descarga eléctrica o un incendio.
- No jale ni doble excesivamente el cable de alimentación. No tuerza ni ate el cable de alimentación.
- No conecte el cable de alimentación sobre un objeto metálico. No coloque un objeto pesado sobre el cable de alimentación, inserte el cable de alimentación entre objetos ni empuje el cable de alimentación en el espacio detrás del aparato, ya que esto puede provocar una descarga eléctrica o un incendio.
- No tire del cable de alimentación al desconectar el enchufe.
 - Desconecte el enchufe sosteniendo el enchufe.
 - De lo contrario, puede producirse una descarga eléctrica o un incendio.
- Si el enchufe o cable de alimentación están dañados, comuníquese con el centro de servicio más cercano.
- No instale la lavadora sobre una alfombra. Instálela sobre un piso nivelado y sólido que pueda soportar su peso. De lo contrario, pueden producirse vibraciones, ruido o problemas anormales con el producto.
- La lavadora es pesada. Es posible que se necesiten dos o más personas para moverla e instalarla. De lo contrario, pueden producirse lesiones corporales o de otro tipo.
- Almacene e instale la lavadora en un lugar donde no estará expuesta a temperaturas inferiores al punto de congelación o a condiciones climáticas al aire libre. De lo contrario, pueden producirse daños graves por fuga.
- Coloque el aparato de modo que el enchufe sea fácilmente accesible. De lo contrario, puede producirse una descarga eléctrica o un incendio debido a un cortocircuito eléctrico.
- El incumplimiento de todas las advertencias de seguridad en esta guía puede provocar daños a la propiedad o lesiones a las personas.



ADVERTENCIA

Advertencias y precauciones de uso y mantenimiento

- Si el aparato está inundado, corte la alimentación inmediatamente y comuníquese con el centro de servicio más cercano.
- Si el aparato emite un ruido extraño, un olor a quemado o humo, desconecte el enchufe inmediatamente y comuníquese con el centro de servicio más cercano. De lo contrario, puede producirse una descarga eléctrica o un incendio.
- En caso de una fuga de gas (como gas propano líquido [liquid propane, LP]), ventile el área inmediatamente. No encienda ni apague ningún aparato ni luz.
 - No utilice un ventilador.
 - Una chispa puede provocar una explosión o un incendio.
- No abra la tapa de la lavadora mientras esté en funcionamiento
 - El agua que sale de la lavadora puede causar quemaduras o hacer que el piso quede resbaladizo. Esto puede provocar lesiones.
 - Abrir la tapa por la fuerza puede dañar el producto o causar lesiones.
- Asegúrese de retirar el embalaje (esponja, poliestireno extruido) que se encuentra en la parte inferior de la lavadora antes de utilizarla.
- No inserte las manos ni un objeto metálico debajo de la lavadora. Esto puede provocar lesiones.
- No intente utilizar este aparato si está dañado, no funciona correctamente, se ha desmontado parcialmente o tiene piezas faltantes o rotas, incluido un cable o enchufe dañado. Esto puede provocar una descarga eléctrica, un incendio o la muerte.
- No toque el enchufe con las manos mojadas. Esto puede provocar una descarga eléctrica.
- No apague el aparato desconectando el enchufe mientras la lavadora está en funcionamiento. Conectar el enchufe al tomacorriente de nuevo puede ocasionar una chispa y provocar una descarga eléctrica o un incendio.
- Mantenga todo el material de embalaje fuera del alcance de los niños, ya que los materiales de embalaje pueden ser peligrosos. Si un niño se coloca una bolsa sobre la cabeza, puede asfixiarse.
- No permita que los niños ni las personas enfermas utilicen esta lavadora sin supervisión. De lo contrario, pueden producirse descargas eléctricas, quemaduras o lesiones.
- No intente reparar, desmontar ni modificar el aparato por su cuenta.
 - No utilice ningún fusible (como cobre, alambre de acero, etc.) que no sea el fusible estándar.
 - Si necesita reparar o reinstalar el aparato, comuníquese con el centro de servicio más cercano.
 - De lo contrario, puede producirse una descarga eléctrica, un incendio, problemas con el producto o lesiones.
- Si alguna sustancia extraña, como el agua, entra en el aparato en cualquier área que no sea la tina, desconecte el enchufe y comuníquese con el centro de servicio más cercano. De lo contrario, puede producirse una descarga eléctrica o un incendio.
- Si la manguera de suministro de agua se suelta del grifo e inunda el aparato, desconecte el enchufe. De lo contrario, puede producirse una descarga eléctrica o un incendio.

- No mezcle el blanqueador de cloro con amoníaco ni ácidos como el vinagre. El uso incorrecto puede producir gases venenosos y ocasionar lesiones graves.
- No meta las manos en la lavadora mientras las piezas están en movimiento. Antes de cargar, descargar o agregar artículos, presione el botón Start/Pause (Inicio/Pausa) y deje que la tina se detenga por completo antes de meter las manos. De lo contrario, puede producirse una descarga eléctrica, lesiones o un incendio.
- No permita que los niños jueguen sobre la lavadora ni dentro de ella. Cuando se utiliza la lavadora, es necesario supervisar a los niños atentamente. A medida que los niños crezcan, enséñeles el uso adecuado y seguro de todos los aparatos. De lo contrario, pueden producirse lesiones graves.
- Mantenga los productos de lavado fuera del alcance de los niños. Observe todas las advertencias en las etiquetas del producto y sígalas. De lo contrario, pueden producirse lesiones graves.
- Desconecte este aparato de la fuente de alimentación antes de intentar cualquier mantenimiento del usuario. Al presionar el botón de encendido, el aparato no se desconecta de la fuente de alimentación. De lo contrario, puede producirse una descarga eléctrica, lesiones o un incendio.
- No limpie el aparato rociando agua directamente sobre él.
- No utilice benceno, diluyente ni alcohol para limpiar el aparato. Esto puede provocar decoloración, deformación, daños, descarga eléctrica o incendio.
- Desconecte el enchufe cuando no se esté utilizando el aparato durante largos períodos de tiempo o durante una tormenta eléctrica. De lo contrario, puede producirse una descarga eléctrica o un incendio.
- Al cerrar la tapa, mantenga las manos y los objetos extraños alejados, tanto de la tapa como del área del pestillo. De lo contrario, pueden producirse lesiones personales.
- Si la lavadora está contaminada por una sustancia extraña como detergente, suciedad o desperdicios de alimentos, desconecte el enchufe y limpie la lavadora con un paño suave y húmedo. De lo contrario, puede producirse decoloración, deformación, daño u óxido.
- La parte transparente de la tapa puede romperse por un fuerte impacto. Tenga cuidado cuando use la lavadora. Si la parte transparente está agrietada o rota, esto puede provocar lesiones.
- Después de una falla del suministro de agua o al volver a conectar la manguera de suministro de agua, abra el grifo lentamente.
- Abra el grifo lentamente después de un largo período de inactividad. La presión de aire en la manguera de suministro de agua o la tubería de agua puede ocasionar daños a una pieza o fugas de agua.
- Si se produce un error de desagüe durante una operación, revise si hay un problema de desagüe. Si se utiliza la lavadora cuando está inundada debido a un problema de desagüe, puede producirse una descarga eléctrica o un incendio debido a un cortocircuito eléctrico. No inserte las manos ni un objeto metálico debajo de la lavadora. Esto puede provocar lesiones.
- Inserte la ropa en la lavadora completamente de modo que no quede atrapada en la tapa. Si la ropa queda atrapada en la tapa, pueden ocasionarse daños en la ropa o la lavadora, o pueden producirse fugas de agua.
- Asegúrese de que el grifo esté apagado cuando no se esté utilizando la lavadora.
- Asegúrese de que los conectores de la manguera de suministro de agua estén correctamente apretados. De lo contrario, pueden producirse daños a la propiedad o lesiones.
- Abra el grifo y revise si el conector de la manguera de suministro de agua está firmemente apretado y si no hay fugas de agua antes de usar el producto. Si los conectores de la manguera de suministro de agua están sueltos, esto puede provocar fugas de agua.

- No se ponga de pie encima del aparato ni coloque objetos (como ropa, velas encendidas, cigarrillos encendidos, platos, productos químicos, objetos metálicos, etc.) en el aparato. Esto puede producir una descarga eléctrica, un incendio, problemas con el producto o lesiones.
- No opere el aparato con las manos mojadas. Esto puede provocar una descarga eléctrica.
- No rocíe material volátil como un insecticida en la superficie del aparato. Además de ser perjudicial para los seres humanos, también puede provocar una descarga eléctrica, un incendio o problemas con el producto.
- No coloque un objeto que genere un campo electromagnético cerca de la lavadora. Esto puede provocar lesiones debido a un mal funcionamiento.
- Dado que el agua escurrida durante un ciclo de lavado o secado a alta temperatura está caliente, no toque el agua. Esto puede provocar quemaduras o lesiones.
- No lave, centrifugue ni seque asientos, esteras o ropa impermeable.
- No lave esteras gruesas y duras aunque la etiqueta de cuidado tenga la marca de la lavadora. Esto puede provocar lesiones o daños en la lavadora, las paredes, el piso o la ropa debido a vibraciones anormales.
- No utilice la lavadora cuando se haya retirado el dispensador de detergente. Esto puede provocar una descarga eléctrica o lesiones debido a fugas de agua.
- No inserte la mano en el dispensador de detergente después de abrirlo. Esto puede provocar lesiones porque la mano puede quedar atrapada.
- No coloque objetos que no sean de ropa, como zapatos, desperdicios de alimentos o animales en la lavadora. Esto puede causar vibraciones anormales que pueden dañar la lavadora y, en el caso de mascotas, causar lesiones graves o la muerte.
- No presione los botones con objetos afilados como alfileres, cuchillos o uñas. Esto puede provocar una descarga eléctrica o lesiones.
- No lave la ropa contaminada con aceites, cremas o lociones que se encuentran generalmente en tiendas de cuidado de la piel o clínicas de masaje. Esto puede provocar que el sello de goma se deforme y que se produzcan fugas de agua.
- Asegúrese de que la tubería de entrada de agua esté conectada y de que el grifo esté abierto antes de lavar la ropa.
- No deje objetos metálicos (alfileres de seguridad, ganchos para cabello y demás) ni blanqueador en la tina durante largos periodos de tiempo. Esto puede causar que se oxide la tina.
 - Si aparece óxido en la superficie de la tina, aplique un agente limpiador neutro en la superficie y utilice una esponja para limpiarla. Nunca utilice un cepillo metálico.
- No utilice agua caliente de dispositivos de refrigeración/calefacción de agua. Esto puede ocasionar problemas con la lavadora.
- No utilice jabón de manos natural en la lavadora. Si se endurece y se acumula dentro, puede causar problemas como decoloración, óxido o malos olores.
- Si utiliza una malla de lavado con esta máquina (no incluida), no lave artículos como la ropa de cama en la malla de lavado. Si lo hace, puede provocar lesiones debido a vibraciones anormales. Coloque solo artículos más pequeños, como calcetines de encaje y lencería, en la malla de lavado.
- No utilice detergente en polvo endurecido. Si se acumula dentro de la lavadora, puede provocar fugas de agua.
- No lave tapetes ni alfombrillas. Si lo hace, puede acumularse arena dentro de la lavadora, lo que podría provocar problemas mecánicos.

ADVERTENCIA

Conexión a tierra

- Este aparato debe conectarse a tierra adecuadamente.
- No conecte el aparato a tierra con una tubería de gas, tubería de agua de plástico o línea telefónica.
 - Una conexión a tierra incorrecta puede provocar descargas eléctricas, incendios, explosiones o problemas con el producto.
 - Nunca conecte el cable de alimentación a un tomacorriente que no esté conectado a tierra correctamente. Asegúrese de que el tomacorriente que utilice esté conectado a tierra correctamente y de acuerdo con los códigos locales y nacionales.

ADVERTENCIA

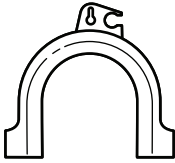
Conexión a tierra

- No instale este aparato cerca de un calentador o material inflamable.
- No instale este aparato en un lugar húmedo, aceitoso o polvoriento, ni en un lugar expuesto a la luz solar directa o al agua (gotas de lluvia).
- No instale este aparato en un lugar donde pueda haber una fuga de gas. De lo contrario, puede producirse una descarga eléctrica o un incendio.
- Si la lavadora se traslada a una nueva ubicación, solicite que un técnico de servicio calificado la revise y la vuelva a instalar. El incumplimiento de esta advertencia puede provocar una descarga eléctrica o un incendio.
- No tire del cable de alimentación ni de la manguera de salida de desagüe para trasladar el aparato al lugar deseado.

CARACTERÍSTICAS

Contenido del paquete

Asegúrese de que se hayan suministrado los siguientes artículos con la lavadora



Guía de la manguera de desagüe



Manual



Correa (x1)



Filtro (x2)

NOTA:

- Use los filtros para reemplazar las arandelas de goma en las mangueras de agua (lados del grifo).

Componentes principales

Instrucciones de seguridad

Características

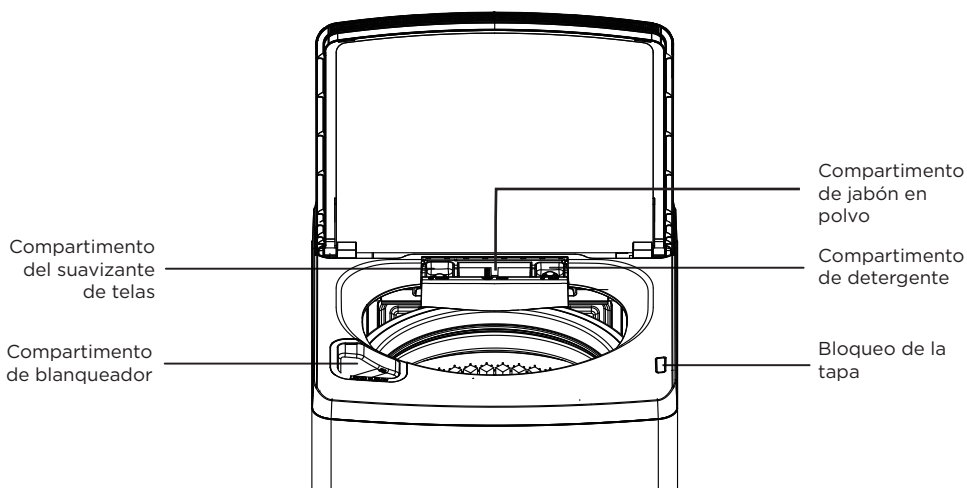
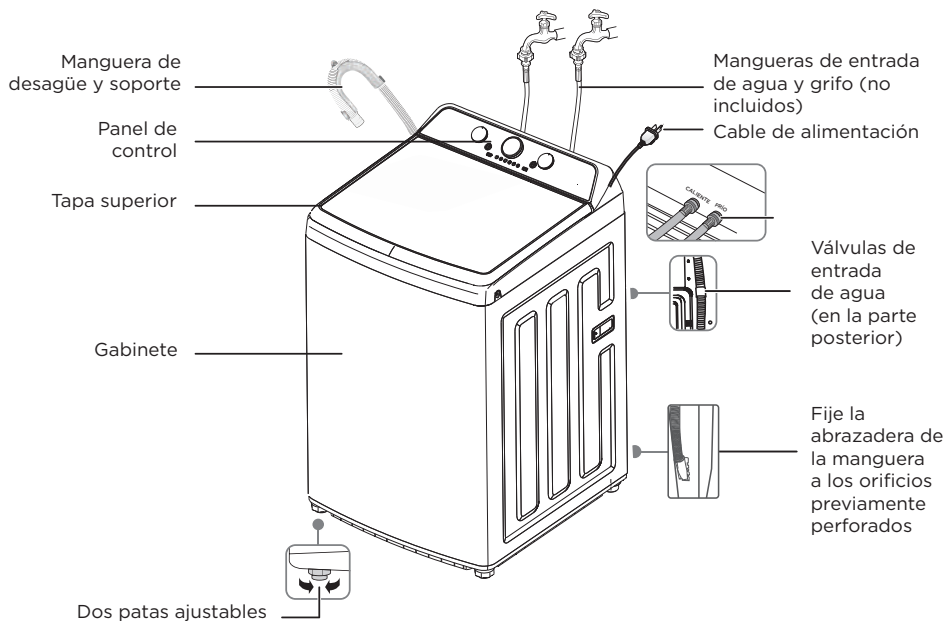
Requisitos de operación

Instrucciones de instalación

Uso de la lavadora

Cuidado de la lavadora

Resolución de problemas



REQUISITOS DE OPERACIÓN

Requisitos eléctricos

ADVERTENCIA

- Para reducir el riesgo de incendio, descarga eléctrica o lesiones a las personas, lea las INSTRUCCIONES DE SEGURIDAD antes de utilizar este aparato.
- No seguir estas instrucciones de forma precisa puede provocar una condición anormal de vibración y desequilibrio que podría provocar lesiones físicas, daños a la propiedad y/o daños al aparato.

Utilice un fusible o disyuntor de 120 voltios, 60 Hz y 15 amperios. Recomendamos un circuito de derivación individual que atienda solo a su lavadora.

ADVERTENCIA

Nunca utilice un cable de extensión.

Se requiere la conexión a tierra eléctrica para su lavadora.

Debe conectar a tierra su lavadora. En caso de mal funcionamiento o avería, la conexión a tierra reduce el riesgo de descarga eléctrica al proporcionar una ruta de menor resistencia para la corriente eléctrica.

La lavadora está equipada con un cable de alimentación con un enchufe de conexión a tierra de tres clavijas para el uso en un tomacorriente correctamente instalado y conectado a tierra.

El tomacorriente debe instalarse correctamente y conectarse a tierra de acuerdo con todos los códigos y ordenanzas locales.

ADVERTENCIA

- Usted es responsable de proporcionar servicios eléctricos adecuados para la lavadora.
- Un conductor de conexión a tierra de equipos conectado incorrectamente puede aumentar el riesgo de descarga eléctrica. Consulte con un electricista o técnico calificado si no está seguro de si su lavadora está conectada a tierra correctamente.
- No modifique el enchufe del cable de alimentación que se suministra con la lavadora. Si el enchufe no se ajusta al tomacorriente, solicite que un electricista calificado instale el tomacorriente correcto.
- Para evitar riesgos innecesarios de incendio, descarga eléctrica o lesiones personales, todo cableado y conexión a tierra debe hacerse de acuerdo con el Código Eléctrico Nacional del Instituto Nacional Estadounidense de Estándares (American National Standards Institute, ANSI)/Asociación Nacional de Protección contra el Fuego (National Fire Protection Association, FNPA), la última revisión N.º 70, y los códigos y ordenanzas locales.
- Nunca conecte el cable de tierra a cañerías de plástico, tuberías de gas o tuberías de agua caliente.

Requisitos de agua

Para llenar la lavadora en la cantidad de tiempo correcta, la presión del agua debe estar entre 14 y 116 psi (100 a 800 kPa).

Si la presión del agua es menos de 14 psi (100 kPa):

- La válvula de agua puede fallar o no apagarse por completo.
- El tiempo que se tarda en llenar la lavadora puede ser más largo que el tiempo que permiten los controles de la lavadora. Se apagará la lavadora e informará un error. Se incorpora un límite de tiempo en los controles para evitar inundaciones en su hogar si se suelta una manguera.
- Las mangueras de entrada de agua deben adquirirse por separado. Puede comprar mangueras de entrada en varias longitudes de hasta 8 ft (240 cm).

Para evitar la posibilidad de daños por agua:

- Asegúrese de que los grifos de agua sean fácilmente accesibles.
- Apague los grifos cuando no esté utilizando la lavadora.
- Revise periódicamente que el agua no se filtre por los accesorios de las mangueras de agua.

Requisitos de desagüe

La altura recomendada para la tubería vertical de desagüe es de 48 in (122 cm).

La manguera de desagüe debe pasarse a través del clip de la manguera de desagüe hasta la tubería vertical.

La tubería vertical debe ser lo suficientemente grande como para aceptar el diámetro exterior de la manguera de desagüe.

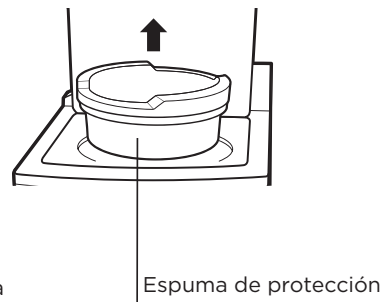
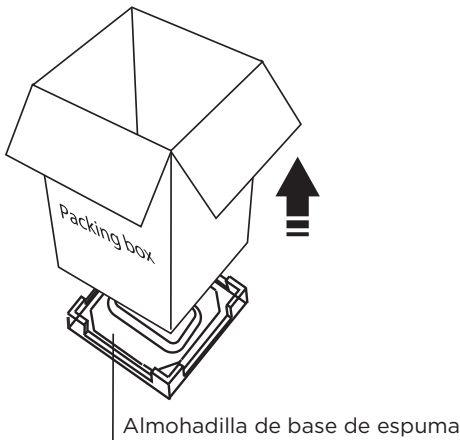
INSTRUCCIONES DE INSTALACIÓN

Desembalaje de la lavadora

ADVERTENCIA

- Los materiales de embalaje pueden ser peligrosos para los niños. Mantenga todos los materiales de embalaje (bolsas de plástico, poliestireno, etc.) fuera del alcance de los niños.
- No utilice la lavadora sobre la almohadilla de base de espuma. Si lo hace, se producirán vibraciones graves, que podrían causar daños en el equipo o lesiones físicas.

Retire la caja de embalaje y levante la lavadora hacia arriba y lejos de la almohadilla de base de espuma. Abra la tapa de la lavadora para sacar todos los accesorios, incluida la espuma protectora.



Elegir una ubicación

⚠ ADVERTENCIA

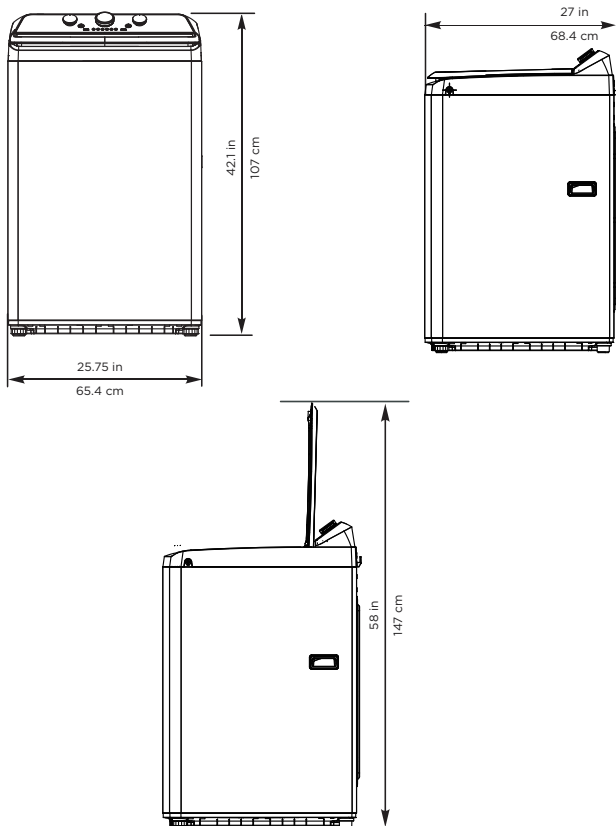
- No instale la lavadora en áreas donde el agua pueda congelarse, ya que su lavadora siempre retiene algo de agua en sus áreas de válvula de agua, bomba y manguera. El agua congelada puede dañar la válvula, la bomba, las mangueras y otros componentes.
- Nunca la instale sobre una plataforma o estructura con soporte débil.

Para obtener el mejor rendimiento, debe instalar la lavadora en un piso sólido y nivelado.

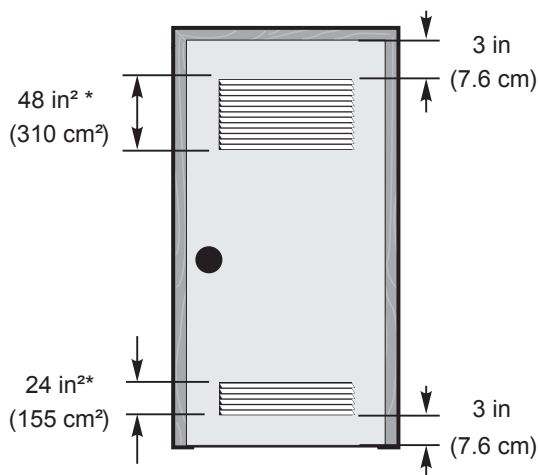
Es posible que sea necesario reforzar los pisos de madera para minimizar las vibraciones o las situaciones de carga desequilibrada.

Las alfombras y las superficies de baldosas blandas pueden contribuir a una vibración excesiva, lo que puede hacer que la lavadora se mueva ligeramente durante el ciclo de centrifugado.

Dimensiones de la lavadora y medidas de instalación



Si instala la lavadora en una alcoba o un armario, la parte delantera del armario debe tener dos aberturas de aire sin obstáculos con un área total mínima combinada de 72 sq in (465 cm²) con un espacio libre mínimo de 3 in (7.6 mm) en la parte superior e inferior. Una puerta de tablillas con espacio libre equivalente es aceptable.

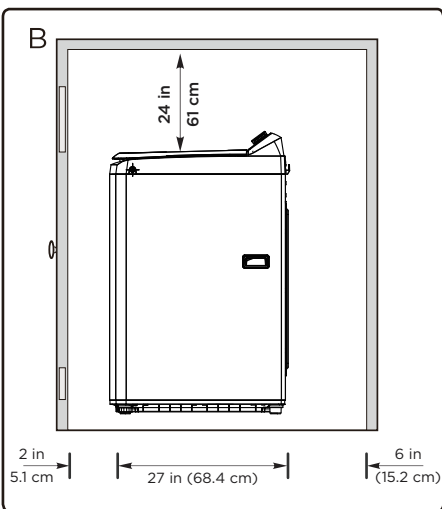
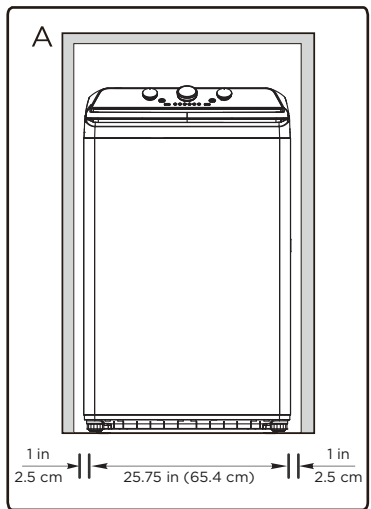


Instalación en una alcoba o un armario

Los espacios libres mínimos entre la lavadora y las paredes adyacentes u otras superficies son:

- **Cualquier lado:** 1 in (2.5 cm)
- **Parte posterior:** 6 in (15.2 cm)
- **Parte delantera del armario:** 2 in (5.1 cm)
- **Parte superior:** 24 in (61 cm)
- **Espacio entre el extremo de la válvula de agua y la pared:** 6 in (15.2 cm)

Si instala la lavadora y secadora una al lado de la otra en un armario, el frente del armario debe tener una abertura de aire sin obstrucciones de al menos 72 pulgadas cuadradas (465 centímetros cuadrados).



A. Área empotrada

B. Vista lateral: armario o área confinada

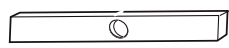
ADVERTENCIA

- Asegúrese de lo siguiente: que la superficie del gabinete sea dura y esté nivelada, y que no tenga alfombras ni pisos blandos que puedan obstruir la ventilación;
- que el gabinete esté lejos de la luz solar directa;
- que tenga una ventilación adecuada;
- que no esté expuesto a temperaturas de congelación (32 °F o 0 °C);
- que esté lejos de fuentes de calor, como el combustible o el gas;
- que tenga suficiente espacio para que la lavadora no se apoye sobre el cable de alimentación.

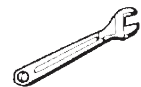
Herramientas necesarias



Pinza



Nivel



Llave inglesa ajustable que se abra a 1" (25 mm)

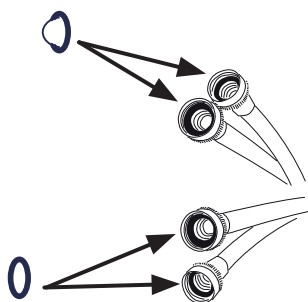
Conexión de las mangueras de agua

NOTA: Las mangueras de suministro de agua no se proporcionan con la lavadora y deben adquirirse por separado.

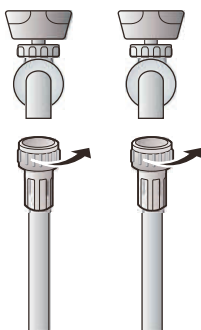
Precaución

- Utilice mangueras de suministro de agua nuevas. El uso de mangueras viejas puede provocar fugas o desbordamientos que pueden dañar su propiedad.
- No conecte varias mangueras de suministro de agua para aumentar la longitud de la manguera. Las mangueras conectadas de esta manera pueden tener fugas y causar descargas eléctricas. Si una manguera es demasiado corta, reemplácela por una manguera de alta presión más larga.

1. Asegúrese de que haya arandelas de goma dentro de los accesorios en ambos extremos de cada manguera de agua nueva. Retire las arandelas de goma del lado del grifo y reemplácelas con filtros. La instalación de las mangueras de suministro de agua sin arandelas de goma puede causar fugas de agua.



2. Apriete los accesorios de la manguera y el grifo a mano hasta que estén ajustados, luego apriételos dos tercios de un giro adicional con una pinza o una llave inglesa. Tire de las mangueras de suministro de agua hacia abajo para asegurar que estén conectadas de forma segura.



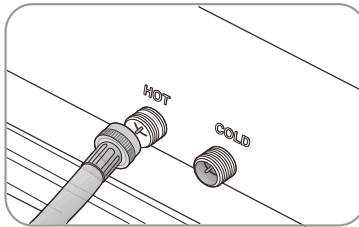
Precaución

No apriete demasiado los accesorios ni aplique cinta adhesiva o sellador en los grifos ni en la entrada de suministro de agua. Esto puede dañar los accesorios.

3. Coloque los extremos desconectados de las mangueras en un cubo y encienda los grifos conectados a las mangueras de suministro de agua durante 10 o 15 segundos para eliminar cualquier sustancia extraña. Cierre los grifos.



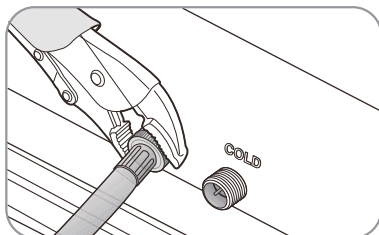
4. Conecte los extremos de las mangueras de suministro de agua a las conexiones de entrada del suministro de agua en la parte superior de la lavadora. Asegúrese de que las arandelas de goma estén en su lugar. La manguera de suministro de agua conectada al grifo de agua caliente debe estar conectada a la entrada del suministro de agua caliente y la manguera de agua conectada al grifo de agua fría debe estar conectada a la entrada del suministro de agua fría.



NOTA: Si no desea utilizar la manguera de suministro de agua caliente, inserte una tapa de entrada de agua en el orificio de admisión de agua caliente. En este caso, debe seleccionar la opción Tap Cold (Fría del grifo) para la temperatura del agua.

NOTA: No se proporciona una tapa de admisión con la lavadora. Debe adquirirse por separado.

5. Apriete los accesorios a mano hasta que estén ajustados y luego apriételos dos tercios de un giro adicional con una pinza.



Precaución

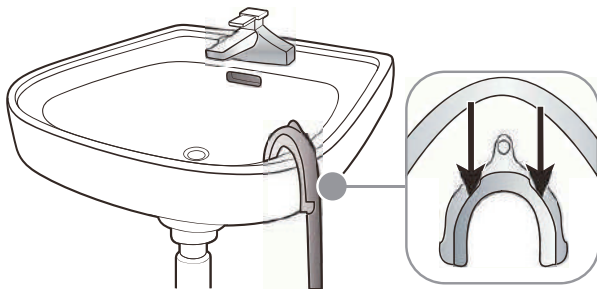
- No apriete demasiado los accesorios ni aplique cinta adhesiva o sellador en los grifos ni en las entradas de suministro de agua. Esto puede dañar los accesorios.
- Asegúrese de que las mangueras de suministro de agua no estén torcidas ni dobladas. Una manguera doblada o torcida puede tener fugas y causar una descarga eléctrica. Para asegurar el uso correcto del agua, conecte los grifos de agua fría y caliente. Si uno o ambos no están conectados, podría generarse un código de error.

6. Encienda los suministros de agua caliente y fría y revise todas las conexiones de entrada del suministro de agua y los grifos para detectar fugas de agua.

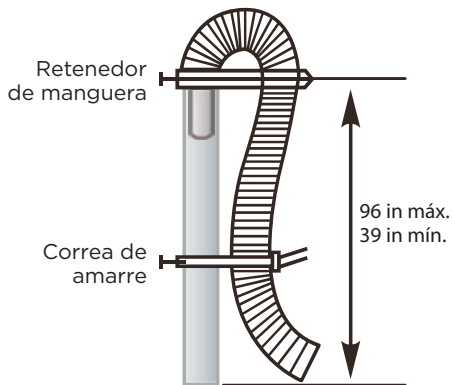
Precaución

Asegúrese de que la conexión entre la manguera de desagüe y el lavabo, la tubería vertical o la tina de ropa no sea hermética.

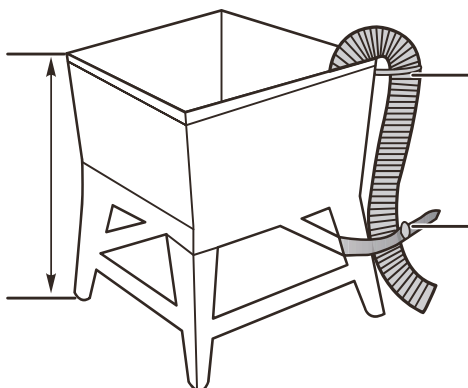
- **Sobre el borde de un lavabo:** Fije la guía al lado de la pared del lavabo con un gancho, péguela con cinta adhesiva o átela con un cordón para evitar que la manguera de desagüe se mueva.



- **En una tubería vertical:** La tubería vertical no debe ser más corta de 39 in (99 cm) y no más larga de 96 in (244 cm).



- **En una tina de ropa:** La tina de ropa no debe ser más corta de 39 in (99 cm) y no más alta de 96 in (244 cm).



Nivelación de la lavadora

Precaución

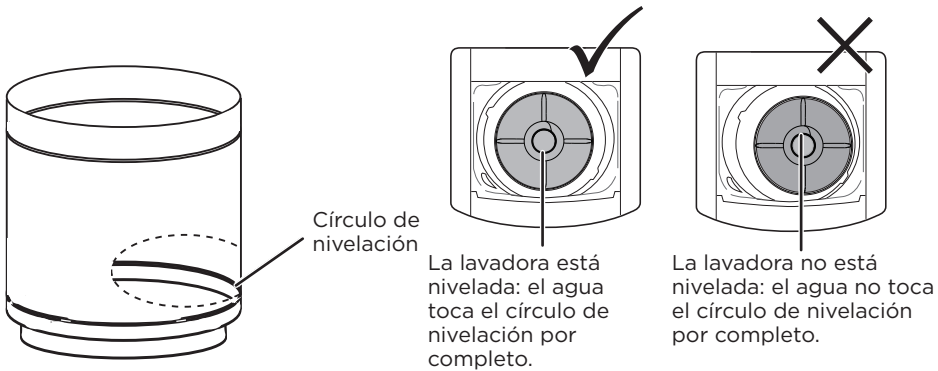
No use la lavadora sin nivelarla. Si la lavadora no está nivelada, puede suceder lo siguiente:

- Vibrar de forma excesiva, lo que puede ocasionar un mal funcionamiento.
- Hacer ruido excesivo.
- Indicar códigos de error cuando la lavadora está en funcionamiento.

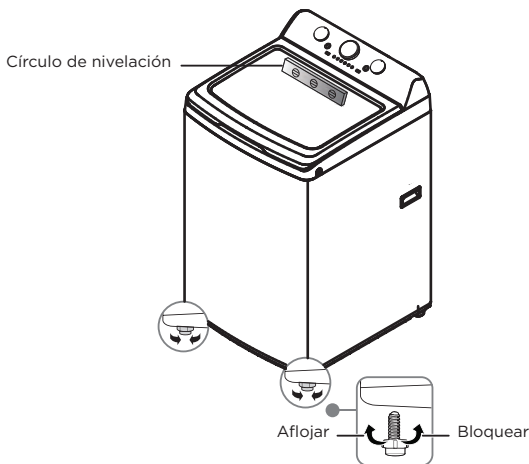
No extienda las patas niveladoras más de lo necesario. Si se extienden demasiado, la lavadora puede vibrar.

Determine si la lavadora está nivelada revisando la posición de la tina o utilizando un nivel.

1. Deslice la lavadora hasta su posición.
2. Abra la tapa de la lavadora y, a continuación, vierta agua en la tina hasta el círculo de nivelación. Si la lavadora está nivelada, el agua tocará el círculo de nivelación por completo. De lo contrario, el agua solo tocará parte del círculo de nivelación.



3. Si la lavadora no está nivelada, inclínela con cuidado lo suficiente para ajustar las patas niveladoras en la parte inferior de la lavadora. Extienda las patas tanto como sea necesario. Si se extienden demasiado, la lavadora puede vibrar.



Encendido

Conecte el cable de alimentación a un tomacorriente bien conectado a tierra, de 3 clavijas, 120 voltios y 60 Hz, protegido por un fusible de 15 amperios o un disyuntor equivalente. La lavadora está conectada a tierra a través de la tercera clavija del cable de alimentación.

Ciclo de prueba

Ejecute un ciclo de prueba para asegurarse de que la lavadora esté instalada correctamente.

1. Cargue alrededor de 6 libras (2.7 kg) de ropa en la tina.
2. Seleccione la perilla **Cycles** (Ciclos) para encender la lavadora.
3. Presione el botón **Start/Pause** (Inicio/Pausa) para hacer funcionar el ciclo de prueba. La lavadora no debe balancearse ni vibrar de forma excesiva cuando se llene la tina, o al lavar o centrifugar. Debe escurrir bien durante el ciclo de centrifugado.



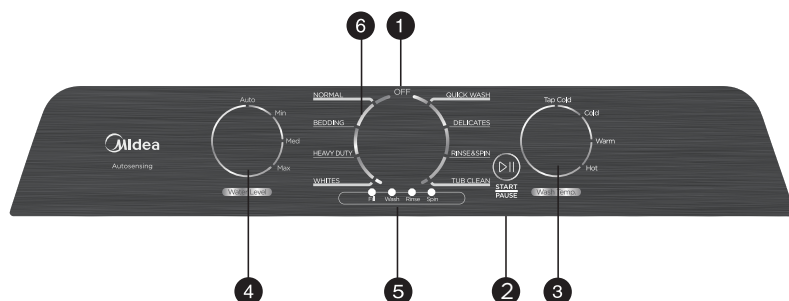
Precaución

- Si detecta fugas de agua mientras la lavadora se está llenando o escurriendo, revise las conexiones de agua. Consulte **Conexión de las mangueras de agua** en la página 19 o **Conexión de las mangueras de desagüe** en la página 22. Consulte **Nivelación de la lavadora** en la página 23.
- Si la lavadora se balancea y/o vibra excesivamente, nivélela de nuevo.
- La válvula eléctrica, el retractor, el motor y la bomba de drenaje de este aparato intencionalmente no están conectados a tierra y pueden presentar un riesgo de descarga eléctrica durante el servicio. No entre en contacto con estos dispositivos electrónicos mientras el aparato esté energizado.

USO DE LA LAVADORA

Panel de control

MAV180-A2404PS/01FM-US



1 Posición Off (Apagado)

Seleccione este botón para apagar la lavadora.

2 ► INICIO/PAUSA

Presiónelo una vez para comenzar el ciclo. Presiónelo nuevamente para detener el ciclo. Si pausa el ciclo, puede agregar o retirar artículos, pero no puede cambiar ningún ajuste. Presiónelo nuevamente para reiniciar el ciclo.

3 Selector de temperatura de agua

Gírelo para seleccionar la temperatura del agua de lavado. En enjuague siempre se hace con agua fría.

4 Selector de nivel de agua

Gírelo para seleccionar el nivel de agua.

5 Luces de estado del ciclo

Estas luces parpadean para indicar en qué parte del ciclo se encuentra la lavadora. Por ejemplo, la luz parpadeante Soak (Remojar) se enciende cuando la lavadora está remojando.

6 Selector de ciclo

Gírelo para seleccionar un ciclo de lavado. El ciclo que seleccione determina el patrón de lavado para el ciclo. Para obtener más información, consulte Opciones y ajustes de la lavadora en la página 25.

Lavado de una carga de ropa

ADVERTENCIA

Para reducir el riesgo de incendio, descarga eléctrica o lesiones a las personas, lea las INSTRUCCIONES DE SEGURIDAD antes de utilizar este aparato.

Selección del detergente

La lavadora está diseñada para utilizar detergentes de alta eficiencia (high efficiency, HE).

- Para obtener los mejores resultados de limpieza, utilice un detergente de HE. Le recomendamos que no use un detergente normal. Los detergentes de HE contienen supresores que reducen o eliminan la espuma. Cuando se produce menos espuma, la carga tiene más movimiento y se maximiza la limpieza.
- Reducir la cantidad de detergente puede reducir la calidad de limpieza. Asegúrese de:
 - Tratar previamente las manchas.
 - Clasificar la ropa por color y nivel de suciedad.
 - Evitar la sobrecarga.

1. Encienda la lavadora

- La lavadora funcionará con el ciclo que elija.
- Las luces mostrarán diferentes combinaciones según los diferentes ciclos que elija.



2. Cargue la lavadora

Precaución

Antes de cargar la ropa, asegúrese de retirar monedas, llaves, y otros objetos duros, y cerrar cremalleras. Estos artículos pueden dañar la ropa y la lavadora.

- Ordene la ropa por tipo de tela, nivel de suciedad, color y tamaño de carga.
- Llene la tina con ropa seca y desdoblada. Cargue la tina a no más de 3/4 de su capacidad.

NOTA:

- La sobrecarga puede reducir la eficiencia del lavado, causar un desgaste excesivo y posiblemente dejar pliegues o arrugas en la carga.
- Lave artículos delicados como sostenes, medias y otra ropa interior usando el ciclo **Delicatos** (Ropa delicada) con artículos livianos similares.

Ejemplos de carga

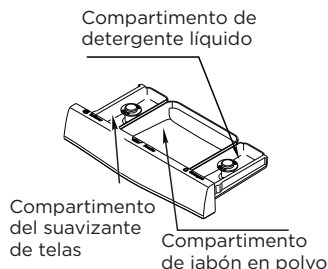
ROPA DE TRABAJO	SÁBANAS	CARGA MIXTA	ROPA DELICADA	LAVADO RÁPIDO (menos de 6 lb)
5 Jeans 5 camisas de trabajo 3 pantalones de trabajo	2 paños de baño 8 toallas de baño 10 toallitas 6 toallas de mano 2 alfombrillas de felpa ○ 2 sábanas planas tamaño queen 2 sábanas ajustables tamaño queen 4 fundas de almohada	3 fundas de almohada 3 toallas de mano 1 sábana plana/ 1 sábana ajustable 4 toallas de baño/ 4 toallitas ○ 6 camisas (de hombre o mujer) 4 pantalones (caquis o sargas) 4 remeras 4 bóxeres 3 pantalones cortos ○ 6 remeras 3 pantalones cortos 3 sudaderas 2 sudaderas con capucha 8 pares de calcetines	6 sostenes 6 bragas 3 slips 2 camisolas 5 camisones	4 camisas de trabajo informales 2 pantalones de trabajo informales ○ 6 uniformes de fútbol

NOTA:

- La sobrecarga puede reducir la eficiencia del lavado, causar un desgaste excesivo y posiblemente dejar pliegues o arrugas en la carga.
- Lave artículos delicados como sostenes, medias y otra ropa interior usando el ciclo **Delicates** (Ropa delicada) con artículos livianos similares.

- Cuando lave artículos grandes y voluminosos (como alfombras o almohadas) o algunos artículos más pequeños (como juguetes de peluche o uno o dos suéteres) que no llenen completamente la tina, agregue algunas toallas para mejorar el rendimiento de centrifugado.
- Utilice siempre el ciclo **Bulky** (Grande) para artículos voluminosos.
- Cuando lave ropa muy sucia, no sobrecargue la lavadora para garantizar buenos resultados de limpieza.

3. Agregue detergente y aditivos al compartimento



Carga del compartimento de detergente líquido o en polvo

- Cargue detergente líquido o en polvo en el compartimento indicado.
- Vierta la cantidad recomendada de detergente para ropa directamente en el compartimento antes de encender la lavadora.
- Si utiliza blanqueador para ropa de color, agréguelo con el detergente al compartimento de detergente.

NOTA:

- Al agregar blanqueador para ropa de color con detergente, ambos productos de ropa deben tener la misma consistencia (líquida).
- Si no hay compartimento de detergente, debe agregar el detergente a la tina.

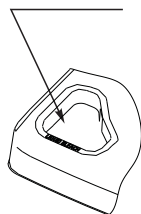
Carga de POD en la lavadora

- Primero cargue los POD directamente en la parte inferior de una canasta vacía
- Luego, agregue ropa sobre los POD

NOTA:

- Cargar POD en la parte inferior de la canasta mejorará el rendimiento del lavado y permitirá que el detergente se disuelva más fácilmente.

Compartimento de blanqueador



Carga del compartimento de blanqueador (solo blanqueador líquido)

- Agregue blanqueador de cloro al compartimento de blanqueador. No lo llene en exceso.
- No hay entrada de agua en el dispensador de blanqueador, por lo que el blanqueador se cargará directamente en la tina cuando lo vierta.



Precaución

- Evite salpicar o sobrellenar el compartimento.
- Nunca vierta blanqueador de cloro líquido sin diluir directamente sobre la carga o en la tina, ya que puede dañar las telas, debilitando las fibras o quitando el color.

NOTA: No vierta blanqueador para ropa de color en el compartimento de blanqueador. En cambio, agréguelo al compartimento de detergente.

Carga del compartimento de suavizante de telas

- Vierta la cantidad recomendada de suavizante líquido en el compartimento correspondiente.
- El dispensador libera automáticamente el suavizante líquido en el momento correcto durante el ciclo de enjuague.
- Siempre que utilice suavizante de telas, asegúrese de seleccionar FABRIC SOFTENER (Suavizante de telas) en la perilla selectora Rinse (Enjuague).



Precaución

- Utilice el compartimento de suavizante SOLAMENTE para suavizantes de telas líquidos.
- No utilice **Downy Ball®** en el compartimento de suavizante de telas.
- No utilice un suavizante de telas líquido demasiado espeso, ya que podría no mezclarse con el agua lo suficiente.
- Asegúrese de seleccionar la opción Fabric Softener (Suavizante de telas) cuando utilice suavizante de telas para que se libere en la parte de enjuague del ciclo.

4. Agregue detergente y aditivos al compartimento

- Gire el selector de ciclo para seleccionar un ciclo de lavado. Para obtener más información sobre los ciclos de lavado, consulte las opciones y configuraciones de la lavadora a continuación.



5. Inicie la lavadora

- Presione el botón **Start/Pause** (Inicio/Pausa).

NOTA:

- A medida que la lavadora pasa de una etapa a otra en el ciclo de lavado, la luz relacionada se enciende (como **Rinse** [Enjuagar] o **Spin** [Centrifugar]).



- Si necesita pausar el ciclo (por ejemplo, para agregar o eliminar artículos o ajustar la carga), presione el botón **Start/Pause** (Inicio/Pausa) y, a continuación, abra la tapa. La lavadora se detendrá. Cuando esté listo para reanudar el lavado, cierre la puerta y, a continuación, presione el botón **Start/Pause** (Inicio/Pausa).

6. Retire la ropa

- Cuando se complete el ciclo de lavado.
- Abra la tapa y retire la ropa.

Opciones y ajustes de la lavadora

- Un doble pitido al pulsar el botón significa que la opción no está disponible para el ciclo.

Tabla de opciones y configuraciones de MAV180-A2404PS/01FM-US

- Para obtener el mejor rendimiento de lavado, sugerimos que el peso de carga sea inferior a 17.64 lb (8.0 kg) (ropa seca)

Programa	Nivel de agua	Temp.	Tiempos de enjuague
Normal	Automático/1-3	Fría/Fría/Tibia/Caliente del grifo	1
Lavado rápido	2	Fría/Fría/Tibia/Caliente del grifo	1
Ropa delicada	2	Fría/Fría/Tibia/Caliente del grifo	1
Enjuague y centrifugado	Automático/1-3	Fría del grifo	1
Limpieza de tina	3	Caliente	1
Blanco	Automático/1-3	Fría/Fría/Tibia/Caliente del grifo	2
Intenso	Automático/1-3	Fría/Fría/Tibia/Caliente del grifo	2
Ropa de cama	Automático/1-3	Fría/Fría/Tibia/Caliente del grifo	2

CUIDADO DE LA LAVADORA

Precaución

Apague los grifos de agua después del uso final. Esto interrumpe el suministro de agua a la lavadora y evita la posibilidad de daños por el agua que escapa. Deje la tapa abierta para que el interior de la lavadora se seque.

LIMPIEZA Y MANTENIMIENTO

Limpeza del exterior

Utilice un paño suave para limpiar todo el detergente, blanqueador u otros derrames a medida que se producen.

Limpeza del interior

- Limpie el interior de la lavadora periódicamente para eliminar cualquier suciedad, tierra, olor, moho, humedad o residuo bacteriano que pueda permanecer allí debido al lavado de ropa.
- El incumplimiento de estas instrucciones puede redundar en condiciones desagradables, incluidos olores o manchas permanentes en la lavadora o la ropa.
- Para eliminar los depósitos de agua dura, utilice un limpiador etiquetado "Seguro para lavadoras".

Limpeza del panel de control

- Limpie con un paño suave y húmedo. No utilice polvos abrasivos ni almohadillas de limpieza.
- No rocíe limpiadores directamente sobre el panel. El acabado del panel de control puede dañarse con algunos productos de pretratamiento de ropa y removedores de manchas. Aplique estos productos lejos de la lavadora y limpie cualquier derrame o rocío excesivo inmediatamente.

Limpeza del compartimento de detergente, blanqueador o suavizante

- Limpie con un paño suave y húmedo. No utilice polvos abrasivos ni almohadillas de limpieza.

Limpeza de la tina

El ciclo de **Tub Clean** (Limpiar la tina) es un ciclo de autolimpieza que elimina los olores que puede generar la lavadora sin usar un agente limpiador. Sugerimos limpiar la tina una vez al mes.

ADVERTENCIA

La válvula eléctrica, el retractor, el motor y la bomba de drenaje de este aparato intencionalmente no están conectados a tierra y pueden presentar un riesgo de descarga eléctrica durante el servicio. No entre en contacto con estos dispositivos electrónicos mientras el aparato esté energizado.



Precaución

Nunca utilice el ciclo de Tub Clean (Limpiar la tina) cuando la ropa esté en la lavadora. Esto puede dañar la ropa o la lavadora.

- Gire la perilla de control para encenderla.
- Gire el selector de ciclo a **Tub** (Tina). Con la tina vacía, agregue una taza de blanqueador de cloro al dispensador de cloro.
- Presione el botón **Start/Pause** (Inicio/Pausa).

Almacenamiento de la lavadora

Puede dañar la lavadora si no retira el agua de las mangueras y los componentes internos antes de almacenarla.

A fin de preparar la lavadora para el almacenamiento:

- Seleccione el ciclo **Quick Wash** (Lavado rápido) y agregue blanqueador a la lavadora. Haga funcionar la lavadora a través del ciclo sin carga.
- Apague los grifos de agua y desconecte las mangueras de entrada.
- Desconecte la lavadora del tomacorriente y deje la tapa de la lavadora abierta para dejar que el aire circule dentro de la tina.



Precaución

Si la lavadora se ha almacenado a temperaturas inferiores al punto de congelación, deje que pase un tiempo para que se seque cualquier agua sobrante en la lavadora antes de usarla.

ANTES DE LLAMAR AL SERVICIO TÉCNICO...

Consejos para la resolución de problemas

¡Ahorre tiempo y dinero! Revise primero las tablas de las páginas siguientes y es posible que no necesite llamar al servicio técnico.

Problema	Solución
La lavadora no arranca	<ul style="list-style-type: none">• Asegúrese de que la lavadora esté enchufada.• Asegúrese de que la tapa esté cerrada.• Asegúrese de que los grifos de la fuente de agua estén abiertos.• Asegúrese de presionar el botón Start/Pause (Inicio/Pausa) para encender la lavadora.• Antes de que comience a llenarse la lavadora, hace una serie de ruidos de clic para asegurarse que la tapa esté cerrada. La lavadora no drena después de que la tapa se cierra. En los ciclos automáticos, antes del llenado, y después de que la tapa se bloquea, se inicia un programa de detección de carga. La lavadora agitará la ropa sin agua para determinar el tipo de carga, el nivel de agua y la duración del ciclo. Luego se llenará. Esto puede tardar hasta un minuto. Es normal. En los ciclos no automáticos, la lavadora se llena después de que se bloquea la tapa.• Revise el fusible o reinicie el disyuntor.
No hay agua o no hay suficiente agua	<ul style="list-style-type: none">• Asegúrese de que ambos grifos estén completamente abiertos.• Asegúrese de que la presión del agua esté en el rango señalado en Requisitos de agua en la página 14.• Asegúrese de que las mangueras de entrada de agua no estén torcidas. Enderécelas si es necesario.• Desconecte las mangueras y limpie las mallas. Las mallas del filtro de manguera pueden estar obstruidas.• Esta es una lavadora que aprovecha al máximo el agua. No se llena a los niveles de una lavadora estándar. Es normal que los niveles de agua sean bajos y que partes de la ropa sobresalgan del agua.• En los ciclos automáticos, antes del llenado, y después de que la tapa se bloquea, se inicia un programa de detección de carga. La lavadora agitará la ropa sin agua para determinar el tipo de carga, el nivel de agua y la duración del ciclo. Luego se llenará. Esto puede tardar hasta un minuto. Es normal. En los ciclos no automáticos, la lavadora se llena después de que se bloquea la tapa.

Problema	Solución
<p>Cuando la lavadora tiene vibración o ruido excesivos</p>	<ul style="list-style-type: none"> • Asegúrese de que la lavadora esté situada en una superficie nivelada. Si la superficie no está nivelada, ajuste las patas de la lavadora para nivelarla. • Asegúrese de que la lavadora no esté tocando ningún otro objeto. • Asegúrese de que la carga de ropa esté equilibrada. • Durante el proceso de centrifugado, si la ropa se apila a un lado de la tina, la lavadora puede detenerse debido al desequilibrio. La lavadora intenta hasta tres veces resolver el problema automáticamente. Si no se resuelve, intente redistribuir manualmente la ropa dentro de la tina. • Compruebe que las piezas de embalaje del protector de espuma de la base no estén atascadas debajo de la lavadora.
<p>Se detiene la lavadora</p>	<ul style="list-style-type: none"> • Asegúrese de que el tomacorriente esté funcionando. • Revise el fusible o reinicie el disyuntor. • Cierre la tapa y, a continuación, presione el botón Start/Pause (Inicio/Pausa) para encender la lavadora. Por su seguridad, la lavadora no centrifuga a menos que la tapa esté cerrada. • Antes de que comience a llenarse la lavadora, hace una serie de ruidos de clic para asegurarse de que la tapa esté cerrada. La lavadora no drena después de que la tapa se cierra. En los ciclos automáticos, antes del llenado, y después de que la tapa se bloquea, se inicia un programa de detección de carga. La lavadora agitará la ropa sin agua para determinar el tipo de carga, el nivel de agua y la duración del ciclo. Luego se llenará. Esto puede tardar hasta un minuto. Es normal. En los ciclos no automáticos, la lavadora se llena después de que se bloquea la tapa. • A veces, la lavadora puede hacer una pausa entre etapas del ciclo. Espere a ver si la lavadora se enciende de nuevo. • Desconecte las mangueras de entrada y limpie las mallas periódicamente. Las mallas del filtro de manguera pueden estar obstruidas.
<p>La tapa está bloqueada o no abre</p>	<ul style="list-style-type: none"> • Presione el botón Start/Pause (Inicio/Pausa) para pausar la lavadora. No puede abrir la tapa si la lavadora está funcionando. • Después de pausar la lavadora, podría tardar unos segundos en liberarse el seguro de la tapa. • Si la tapa está cerrada cuando la lavadora no está funcionando, presione el botón Power (Encendido) para encender la lavadora. • Si la alimentación falla mientras la lavadora está en funcionamiento, al restablecerse la alimentación, se desbloquea la tapa. La lavadora espera tres minutos y luego ejecuta el resto del ciclo.

Problema	Solución
La lavadora no escurre ni centrifuga	<ul style="list-style-type: none"> • Revise el fusible o reinicie el disyuntor. • Cierre la tapa y, a continuación, presione el botón Start/Pause (Inicio/Pausa) para encender la lavadora. Por su seguridad, la lavadora no centrifuga a menos que la tapa esté cerrada. • Asegúrese de que la manguera de desagüe no esté torcida. Enderécela conforme sea necesario. Asegúrese de que la altura de la manguera de desagüe esté dentro de los límites especificados. Consulte Requisitos de desagüe en la página 14. • Las tuberías del sistema de alcantarillado pueden estar obstruidas. Comuníquese con un plomero o profesional de reparación calificado.
La lavadora no escurre ni centrifuga	<ul style="list-style-type: none"> • Asegúrese de haber seleccionado la temperatura correcta. • Asegúrese de que los grifos de la fuente de agua estén totalmente abiertos. • Asegúrese de que las mangueras estén conectadas a las conexiones correctas de entrada de agua y grifo en la lavadora y, a continuación, purgue las tuberías. Consulte Conexión de las mangueras de agua en la página 19. • Desconecte las mangueras y limpie las mallas. Las mallas del filtro de manguera pueden estar obstruidas.
La carga está demasiado húmeda al final del ciclo	<ul style="list-style-type: none"> • Utilice un detergente de alta eficiencia para reducir el exceso de espuma. Consulte Selección del detergente en la página 29. • La carga puede ser demasiado pequeña. Las cargas muy pequeñas (uno o dos artículos) pueden desequilibrarse y no centrifugar por completo.
Fugas de agua	<ul style="list-style-type: none"> • Asegúrese de que todas las conexiones de manguera estén ajustadas. Consulte Conexión de las mangueras de agua en la página 19 y Conexión de la manguera de desagüe en la página 22. • Asegúrese de que el extremo de la manguera de drenaje esté correctamente insertado y fijado al sistema de desagüe. Consulte Conexión de la manguera de desagüe en la página 22. • Evite la sobrecarga. • Utilice un detergente de alta eficiencia para reducir el exceso de espuma. Consulte Selección del detergente en la página 29.
Exceso de espuma	<ul style="list-style-type: none"> • Utilice un detergente de alta eficiencia para reducir el exceso de espuma. Consulte Selección del detergente en la página 29. • Si tiene agua “blanda”, reduzca la cantidad de detergente. • Para cargas pequeñas o ligeramente sucias, reduzca la cantidad de detergente.
Prevención de olores	<ul style="list-style-type: none"> • Ejecute periódicamente un ciclo de Tub Clean (Limpiar la tina) para limpiar la tina. Consulte Limpieza de la tina en la página 33. • Utilice un detergente de alta eficiencia para reducir el exceso de espuma. El exceso de espuma se acumula en los recovecos y causa olor. Consulte Selección del detergente en la página 29. • Seque el interior de la lavadora una vez finalizado el ciclo total.

Códigos de error

La lavadora está equipada con un sistema automático de monitoreo de errores para detectar y diagnosticar problemas.

Código de error	Posible causa	Soluciones
○○○○●	No llega agua.	<ul style="list-style-type: none"> Asegúrese de que los grifos de agua estén abiertos. Asegúrese de que las mangueras de agua no estén obstruidas. Asegúrese de que los grifos de agua no estén congelados. Asegúrese de que la lavadora funcione con suficiente presión de agua. Asegúrese de que el grifo de agua fría y el grifo de agua caliente estén conectados correctamente. Limpie el filtro de malla, ya que puede estar obstruido.
	El sensor de nivel de agua no funciona correctamente.	<ul style="list-style-type: none"> Compruebe el arnés de cables del sensor de nivel de agua. Si el código de información no se quita, llame al centro de servicio.
○○○○○	El agua no drena.	<ul style="list-style-type: none"> Asegúrese de que la manguera de desagüe no esté congelada ni obstruida. Dependiendo del tipo de conexión, asegúrese de que la manguera de desagüe esté colocada correctamente. Limpie el filtro de residuos, ya que puede estar obstruido. Asegúrese de que la manguera de desagüe esté derecha hasta el final del sistema de desagüe. Si el código de información no se quita, llame al centro de servicio.
○○○○●	La tapa está abierta.	<ul style="list-style-type: none"> Cierre la tapa. Consulte la sección "Nivelación de la lavadora" en las instrucciones de instalación. El seguro de puerta o el PCB pueden haber fallado, intente los pasos nuevamente. Si el código de información no se quita, llame al centro de servicio.
○○○○○	El centrifugado no funciona.	<ul style="list-style-type: none"> Asegúrese de que la ropa esté distribuida uniformemente. Asegúrese de que la lavadora esté sobre una superficie plana y estable. Redistribuya la carga. Si solo hay que lavar una prenda de ropa, como una bata de baño o unos jeans, el resultado final del centrifugado podría ser insatisfactorio.
●●●●○	La unidad está desequilibrada en la operación de centrifugado.	<ul style="list-style-type: none"> Ajuste el nivel de la lavadora; consulte las instrucciones de instalación. Si la situación continúa, llame al centro de servicio.
○○○○○	Ha fallado la detección de carga	<ul style="list-style-type: none"> Llame al centro de servicio.
●●○○○	La detección de nivel de agua falló.	<ul style="list-style-type: none"> Llame al centro de servicio.

Aviso:

- Pantalla LED:
- Cuando se produzca un error, el LED de Enjuague extra parpadeará y el LED de Proceso indicará el código de error.
- -apagado, ● -parpadeo, ● -encendido
- Cuando se produzca un error, el timbre emitirá un pitido de 5 segundos y se repetirá una vez cada 15 minutos. Después de 24 horas, la máquina se apagará automáticamente.
- Cuando se produzca otro error, intente nuevamente primero; llame a la línea de servicio si los problemas persisten.

GARANTÍA LIMITADA PARA LAVADORA DE ROPA MIDEA

COLOQUE SU RECIBO AQUÍ. SE REQUIERE UN COMPROBANTE DE COMPRA PARA OBTENER EL SERVICIO DE GARANTÍA.

Tenga a disposición la siguiente información cuando llame al Centro de servicio al cliente:

- Nombre, dirección y número de teléfono
- Número de modelo y número de serie
- Una descripción clara y detallada del problema
- Un comprobante de compra que incluya el nombre y la dirección del distribuidor o minorista

SI REQUIERE SERVICIO:

1. Antes de comunicarse con nosotros para organizar el servicio, determine si el producto requiere reparación. Algunos problemas pueden resolverse sin el servicio técnico. Tómese unos minutos para revisar la sección Resolución de problemas en el Manual del usuario, o visite <http://us.Midea.com/support>
2. Todo el servicio de garantía es proporcionado exclusivamente por nuestros proveedores de servicios de Midea autorizados, en los EE. UU. y Canadá.

Servicio al Cliente de Midea

En los EE. UU. o Canadá, llame al 1-866-646-4332 o envíe un correo electrónico a customerserviceusa@midea.com.

Si se encuentra fuera de los 50 estados de los Estados Unidos o Canadá, comuníquese con su distribuidor autorizado de Midea para determinar si aplica otra garantía.

GARANTÍA LIMITADA

LO QUE ESTÁ CUBIERTO

GARANTÍA LIMITADA DEL PRIMER AÑO (PIEZAS Y MANO DE OBRA)

Durante un año a partir de la fecha de compra, si este aparato principal se instala, opera y mantiene de acuerdo con las instrucciones adjuntas o suministradas con el producto, Midea America Corporation (en adelante "Midea") pagará por las piezas de repuesto especificadas en la fábrica y la mano de obra de reparación para corregir defectos en los materiales o en la mano de obra que existían cuando se compró este aparato principal, o a su entera discreción reemplazará el producto. En caso de reemplazo del producto, su aparato estará garantizado por el término restante del período de garantía de la unidad original.

GARANTÍA LIMITADA DE POR VIDA (TINA DE ACERO INOXIDABLE)

Durante la vida útil del producto, a partir de la fecha de compra original, siempre que este aparato principal se instale, opere y mantenga de acuerdo con las instrucciones adjuntas o suministradas con el producto, Midea pagará por las piezas de fábrica especificadas y la mano de obra de reparación de los siguientes componentes para corregir defectos no estéticos en los materiales o en la mano de obra que existían cuando se compró este aparato principal:

- Tina de acero inoxidable

SU ÚNICO Y EXCLUSIVO RECURSO BAJO ESTA GARANTÍA LIMITADA SERÁ LA REPARACIÓN O EL REEMPLAZO DEL PRODUCTO CONFORME SE ESTABLECE EN EL PRESENTE. El servicio técnico debe ser provisto por una empresa de servicio técnico designada por Midea. Esta garantía limitada es válida solamente en los 50 estados de los Estados Unidos o en Canadá y se aplica únicamente cuando el electrodoméstico se utiliza en el país en el que se adquirió. Esta garantía limitada entra en vigencia a partir de la fecha de compra original del consumidor. Se requiere un comprobante de la fecha de compra original para obtener el servicio bajo esta garantía limitada.

GARANTÍA LIMITADA

LO QUE NO ESTÁ CUBIERTO

1. El uso comercial, no residencial o de múltiples familias, o uso incompatible con las instrucciones del usuario, del operador o de instalación publicadas.
2. Instrucciones en el hogar sobre cómo usar el producto.
3. El servicio para corregir el mantenimiento o la instalación incorrectos del producto, la instalación no conforme a los códigos eléctricos o la reparación del sistema eléctrico doméstico (es decir, cableado de la casa, fusibles, etc.)
4. Piezas consumibles (es decir, bombillas, baterías, filtros de aire o agua, etc.).
5. Defectos o daños causados por el uso de piezas o accesorios no originales de Midea.
6. Daños por accidente, mal uso, abuso, incendio, inundaciones, problemas eléctricos, casos fortuitos o el uso con productos no aprobados por Midea.
7. Reparaciones de piezas o sistemas para corregir daños o defectos del producto causados por el servicio, la alteración o la modificación no autorizados del aparato.
8. Daños estéticos, incluidos rayones, abolladuras, astillas y otros daños en los acabados del aparato, a menos que tal daño resulte de defectos en los materiales y la mano de obra, y se informen a Midea en un plazo de 30 días.
9. El mantenimiento de rutina del producto.
10. Productos comprados “en el estado en que se encuentran” o reacondicionados.
11. Productos que han sido trasladados desde su propietario original.
12. Decoloración, óxido u oxidación de superficies resultantes de ambientes cáusticos o corrosivos, incluidas, a título enunciativo pero no limitativo, altas concentraciones de sal o humedad, o exposición a productos químicos.
13. Recogida o entrega. Este producto está diseñado para reparaciones en el hogar.
14. Gastos de viaje o transporte por el servicio en lugares remotos donde un centro de servicio autorizado de Midea no está disponible.
15. La eliminación o reinstalación de aparatos inaccesibles o accesorios incorporados (es decir, molduras, paneles decorativos, suelos, gabinetes, islas, encimeras, paneles de yeso, etc.) que interfieren con el mantenimiento, la extracción o el reemplazo del producto.
16. El servicio o piezas para aparatos con números de serie/modelo originales eliminados, alterados o no fácilmente identificados.

El costo de reparación o reemplazo conforme a estas circunstancias excluidas correrá a cargo del cliente.

EXENCIÓN DE RESPONSABILIDAD DE LAS GARANTÍAS IMPLÍCITAS

LAS GARANTÍAS IMPLÍCITAS, INCLUIDA CUALQUIER GARANTÍA IMPLÍCITA DE COMERCIABILIDAD O GARANTÍA IMPLÍCITA DE IDONEIDAD PARA UN FIN PARTICULAR, SE LIMITAN A UN AÑO O AL PERÍODO MÁS CORTO PERMITIDO POR LA LEY. Algunos estados y provincias no permiten limitaciones a la duración de las garantías implícitas de comerciabilidad o idoneidad, de manera que esta limitación podría no aplicar para usted. Esta garantía le otorga derechos legales específicos, y también puede tener otros derechos que varían de un estado a otro o de una provincia a otra.

EXENCIÓN DE RESPONSABILIDAD DE LAS DECLARACIONES AJENAS A LA GARANTÍA

Midea no hace ninguna declaración respecto de la calidad, durabilidad o necesidad de servicio técnico o reparaciones para este electrodoméstico, salvo las declaraciones incluidas en esta garantía. Si desea obtener una garantía más extensa o integral que la garantía limitada que se ofrece con este electrodoméstico, consulte con Midea o su minorista sobre la posibilidad de adquirir una garantía extendida.

LIMITACIÓN DE RECURSOS; EXCLUSIÓN DE RESPONSABILIDAD POR DAÑOS OCASIONALES E INDIRECTOS

SU ÚNICO RECURSO EXCLUSIVO EN VIRTUD DE ESTA GARANTÍA LIMITADA SERÁ LA REPARACIÓN DEL PRODUCTO SEGÚN SE INDICA. MIDEA NO SERÁ RESPONSABLE POR DAÑOS OCASIONALES O INDIRECTOS. Algunos estados y provincias no permiten la exclusión o limitación de responsabilidad respecto de los daños ocasionales o indirectos, de manera que esta limitación podría no aplicar para usted. Esta garantía le otorga derechos legales específicos, y también puede tener otros derechos que varían de un estado a otro o de una provincia a otra.

Midea INFORMACIÓN DE REGISTRO

PROTEJA SU PRODUCTO:

Mantendremos archivados el número de modelo y la fecha de compra de su nuevo producto Midea para ayudarlo a consultar esta información en caso de una reclamación de seguro, como el incendio o robo.

El registro del producto no es obligatorio. No completar y devolver la tarjeta o el formulario no disminuye los derechos de garantía del consumidor.

Regístrese en línea a través de <https://us.midea.com/product-registration>



Complete y envíe a la siguiente dirección:

Midea America Corp. 759 Bloomfield Ave #386, West Caldwell, NJ 07006-6701

------(corte aquí) -----

Nombre:	N.º de modelo:	N.º de serie:
	Tarjeta:	
Dirección:	Fecha de compra: Nombre de la tienda/distribuidor:	
Ciudad: Estado: Código postal:	Dirección de correo electrónico:	
Código de área: Número de teléfono:	Ocupación:	
¿Compró una garantía adicional?	Como su residencia principal:	
¿Cómo se enteró de este producto? <input checked="" type="checkbox"/> Publicidad <input checked="" type="checkbox"/> Demostración en la tienda <input checked="" type="checkbox"/> Demostración personal	Edad:	Estado civil:

La información recopilada o enviada a nosotros solo está disponible para los empleados internos de la compañía con el fin de contactarle o enviarle correos electrónicos, en función de su solicitud de información, y de los proveedores de servicios de la compañía con el fin de proporcionar servicios relacionados con nuestras comunicaciones con usted. Los datos no se compartirán con otras organizaciones, con fines comerciales.

Considere dejar un comentario del cliente en www.midea.com.

Midea America Corp.

5 Sylvan Way
Parsippany, NJ 07054
Servicio al cliente 1-866-646-4332

Hecho en China

**Extensión gratuita
de 3 meses* del período
de la garantía limitada original.
Simplemente envíe una foto de su
comprobante de compra por
mensaje de texto al:**

1-844-224-1614

***La extensión de la garantía es por
los tres meses inmediatamente
después de la finalización del
período de la garantía
original del producto.**

The Midea logo consists of a stylized, thick black 'M' that is partially enclosed by a circular shape on the left side, resembling a partial moon or a stylized letter 'C'.
Midea
make yourself at home