

DETACHABLE TOWER FAN

USER MANUAL

MSFT42RW6BL

Warning notices: Before using this product, please read this manual carefully and keep it for future reference. The design and specifications are subject to change without prior notice for product improvement. Consult with your dealer or manufacturer for details. The diagram above is just for reference. Please take the appearance of the actual product as the standard.

THANK YOU LETTER

Thank you for choosing Midea! Before using your new Midea product, please read this manual thoroughly to ensure that you know how to operate the features and functions that your new appliance offers in a safe way.

EN

CONTENTS

THANK YOU LETTER	01
SAFETY INSTRUCTIONS	02
SPECIFICATIONS	06
PRODUCT OVERVIEW	07
PRODUCT INSTALLATION	08
OPERATION INSTRUCTIONS	10
CLEANING AND MAINTENANCE	12
TROUBLESHOOTING	15
TRADEMARKS, COPYRIGHTS AND LEGAL STATEMENT	16
DATA PROTECTION NOTICE	17







SAFETY INSTRUCTIONS

EN

Intended Use

The following safety guidelines are intended to prevent unforeseen risks or damage from unsafe or incorrect operation of the appliance. Please check the packaging and appliance on arrival to make sure everything is intact to ensure safe operation. If you find any damage, please contact the retailer or dealer. Please note modifications or alterations to the appliance are not allowed for your safety concern. Unintended use may cause hazards and loss of warranty claims.

Explanation of Symbols

	Danger This symbol indicates that there are dangers to the life and health of persons due to extremely flammable gas.
	Warning of electrical voltage This symbol indicates that there is a danger to life and health of persons due to voltage.
	Warning The signal word indicates a hazard with a medium level of risk which, if not avoided, may result in death or serious injury.
	Caution The signal word indicates a hazard with a low degree of risk which, if not avoided, may result in minor or moderate injury.
	Attention The signal word indicates important information (e.g. damage to property), but not danger.
	Observe instructions This symbol indicates that a service technician should only operate and maintain this appliance in accordance with the operating instructions.

Read these operating instructions carefully and attentively before using/commissioning the unit and keep them in the immediate vicinity of the installation site or unit for later use!

IMPORTANT SAFETY INSTRUCTIONS

READ AND SAVE THESE INSTRUCTIONS

EN CAUTION

- Read rules for safe operation and instructions carefully.
- This appliance is not intended for use by persons (including children) with reduced physical, sensory or mental capabilities, or lack of experience and knowledge, unless they have been given supervision or instruction concerning use of the appliance by a person responsible for their safety. Children should be supervised to ensure that they do not play with the appliance.
- Keep electrical appliances out of reach from Children or infirm persons. Do not let them use the appliances without supervision.
- Never insert fingers, pencils, or any other object through the grille when fan is running.
- Disconnect fan when moving from one location to another.
- Be sure fan is on a stable surface when operating to avoid overturning.
- Indoor and household use only.

⚠ WARNING

- If the supply cord is damaged, it must be replaced by manufacturer or its service agent or a similarly qualified person in order to avoid a hazard.
- To protect against the risk of electrical shock, do not immerse the unit, cord or plug in water or other liquid.
- Unplug or disconnect the appliance from the power supply before servicing.
- **WARNING: To Reduce The Risk Of Fire Or Electric Shock, Do Not Use This Fan With Any Solid-State Speed Control Device.**
- **To Reduce The Risk Of Fire, Electric Shock Or Injury To Persons, Do Not Use Replacement Parts That Have Not Been Recommended By The Manufacturer (e.g.Parts Made At Home Using A 3D Printer).**
- When the appliance is not in use and before cleaning, unplug the appliance from the outlet.
- When the fan was assembled, the rotor blade guard shall not be taken off anymore.
 - Prior to cleaning, unplug the fan.
 - The rotor guard shall not be disassembled/opened to clean the rotor blades.
 - Wipe the fan enclosure and rotor blade guard with a slightly damp cloth.
- This appliance has a polarized plug (one blade is wider than the other). To reduce the risk of electric shock, this plug is intended to fit into a polarized outlet only one way. If the plug does not fit fully into the outlet, reverse the plug. If it still does not fit, contact a qualified electrician. Do not attempt to defeat this safety feature.
- Ensure that the fan is switched off from the supply mains before removing the guard.

⚠ WARNING

- This product employs overload protection (fuse). A blown fuse indicates an overload or short-circuit situation. If the fuse blows, unplug the product from the outlet. Replace the fuse as per the user servicing instructions (follow product marking for proper fuse rating) and check the product. If the replacement fuse blows, a short-circuit may be present and the product should be discarded or returned to an authorized service facility for examination and/or repair.
 - a) Do not operate any fan with a damaged cord or plug. Discard fan or return to an authorized service facility for examination and/or repair.
 - b) Do not run cord under carpeting. Do not cover cord with throw rugs, runners, or similar coverings. Do not route cord under furniture or appliances. Arrange cord away from traffic area and where it will not be tripped over.

EN

SPECIFICATIONS

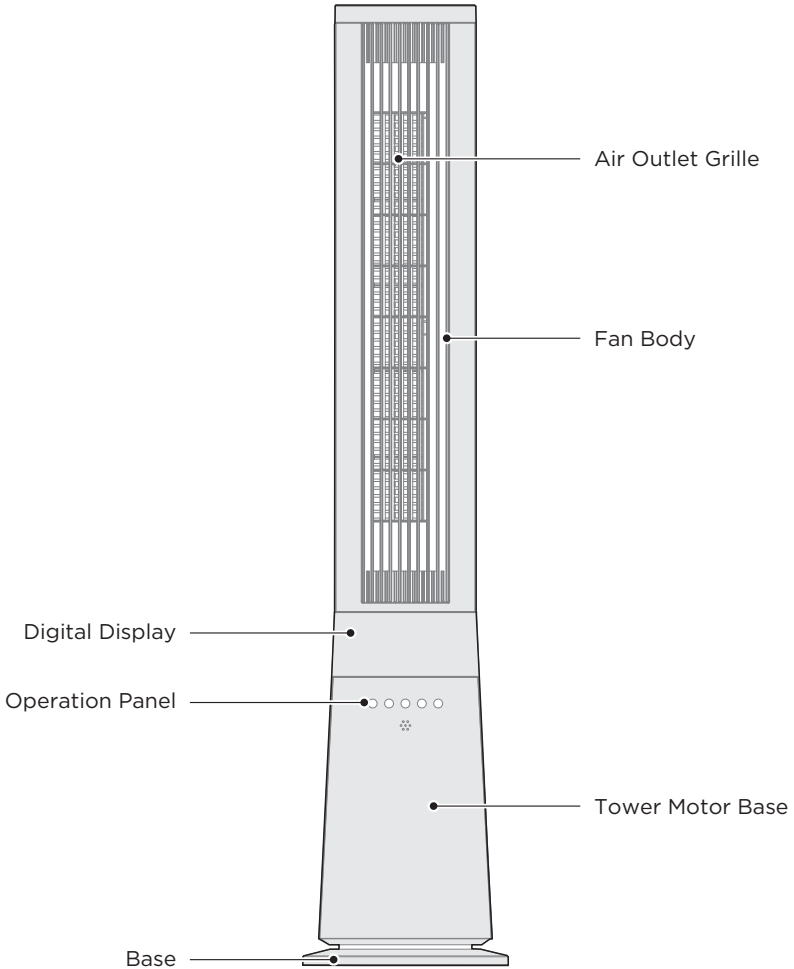
Product Model	MSFT42RW6BL
Voltage	120V-
Frequency	60Hz
Power	40W

EN

PRODUCT OVERVIEW

Part Name

EN



NOTE

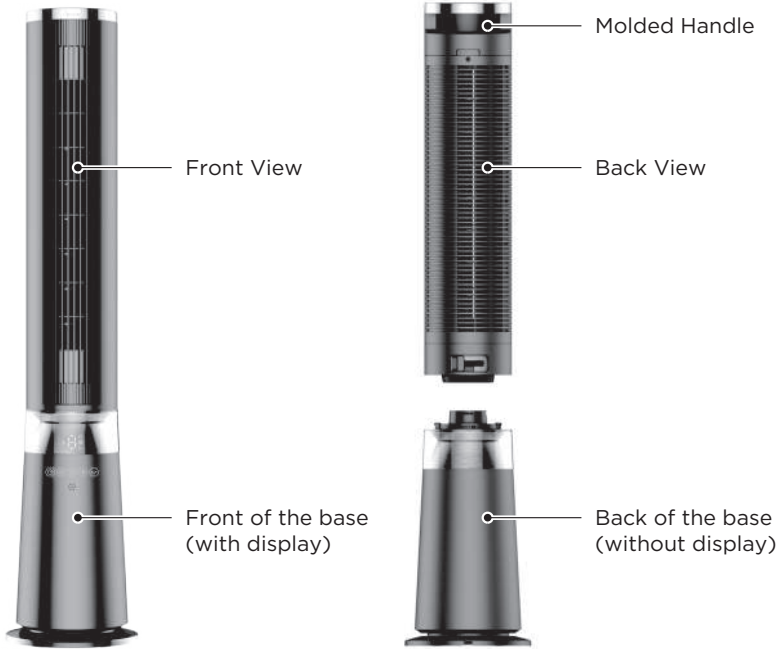
All the pictures in this manual are for explanation purpose only. Any discrepancy between the real object and the illustration in the drawing shall be subject to the real subject.

PRODUCT INSTALLATION

Installation Procedures

- 1 To install, please hold the molded handle on the back of the machine body and install it in alignment with the back of the base.

EN



NOTE

Make sure that both the body and the base are aligned on the back to avoid a front-to-back situation.

2 When aligning the body with the base, please keep the vertical direction the same. In case of alignment failure, rotate the body slightly from side to side until the alignment is successful.

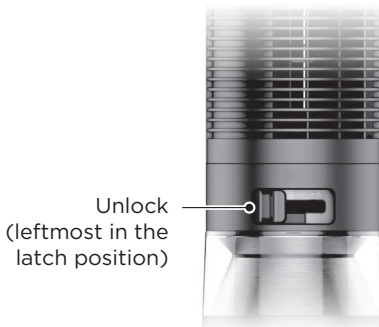
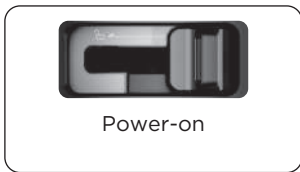
To test for successful alignment:

Check if there's no gap between the body and the base.

EN



3 Once the body is successfully aligned, turn the latch from the leftmost to the rightmost side. The machine is ready for use when a beep is heard after 1 sec of power-on.

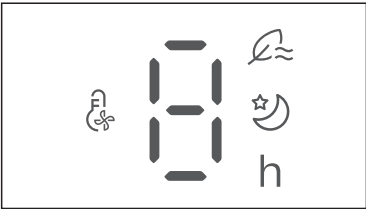


OPERATION INSTRUCTIONS

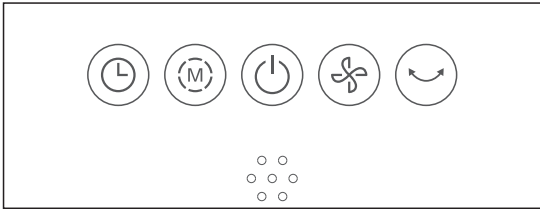
Preparation Before Use

- Remove the blue non-transferable tape from the body before use.

Instructions for Operation of Body



Display panel



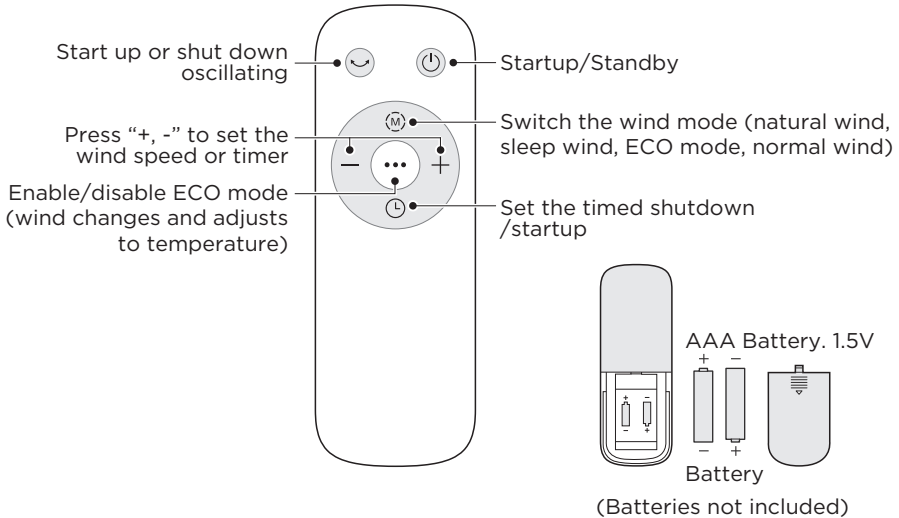
Operation panel

Button	Description
	In the power-on state, you can set the schedule off time in 1-9 hours; In standby mode (powered on but not switched on), you can set the schedule on time in 1-9 hours.
	Click this key to switch the wind type (natural wind,sleep wind, ECO mode,normal wind).
	Click on the “” key (ON/Standby) to switch on or standby.
	Click this key to switch the wind speed (cycle according to the sequence of 1-5).
	Click this key to switch on/off the Oscillation mode.
	This icon lights up in natural mode.The fan automatically adjusts the wind speed according to a set program, three levels(1, 2 and 3) are available.
	This icon lights up in Sleep mode.
h	This Icon lights up when the Timer function is switched on.

Remote Control

- The remote control should typically be used in front of the product with a deviation angle of 30 degrees.
- The battery contains many heavy metals, acids and bases, etc., which may threaten human health; Waste batteries should be recycled separately.
- The schematic diagram of the remote control is for illustration only, please refer to the actual product.

EN



BATTERY WARNING AS BELOW

- Use manganese or alkaline batteries of type "AAA".
- DO NOT use rechargeable batteries.
- DO NOT dispose of batteries in fire, batteries may explode or leak.
- DO NOT mix old and new batteries.
- DO NOT mix alkaline, standard (carbon-zinc) or rechargeable (nickel-cadmium) batteries.
- Pay attention to poles (+ and -) of the batteries.

CLEANING AND MAINTENANCE

The fan requires minimal maintenance. Do not try to fix it by yourself. Refer it to qualified service personnel if service is needed.

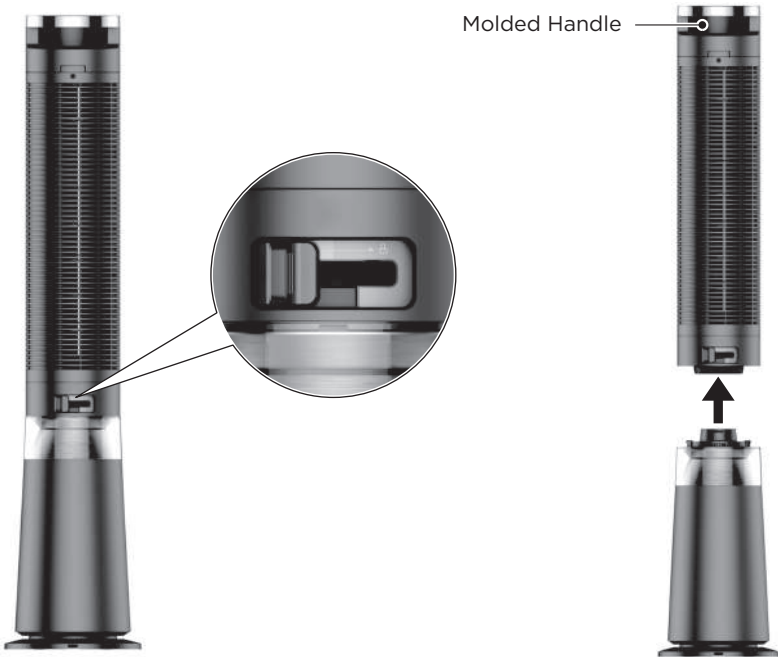
1. Before cleaning and assembling, unplug the fan power.
2. To ensure adequate air circulation to the motor, keep vents at the rear of the motor free of dust.
Do not disassemble the fan to remove dust. Please wipe the exterior parts with a soft cloth soaking a mild detergent.
3. Do not use any abrasive detergent or solvents to avoid scratching the surface.
4. Do not use any of the following as a cleaner: gasoline, thinner.
5. Do not allow water or any other liquid entering into the motor housing or interior parts.
6. Be sure to unplug from the electrical supply source before cleaning.
7. Plastic parts should be cleaned with a soft cloth moisten with mild soap. Thoroughly remove soapsuds with dry cloth.

EN

Cleaning Instructions

1. How to disassemble the fan body from the motor base

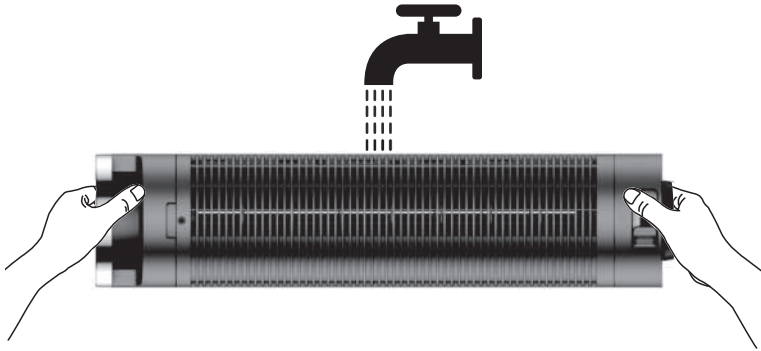
Before detaching the body from base, turn off the power switch and unplug it, then turn the latch on the back to the far left, hold the back of the body by the molded handle and lift vertically upwards to detach the body from the base.



2. Cleaning

Rinsing:

Position the fan body securely and rinse it thoroughly under a water tap or shower head. After rinsing, gently shake the excess water out of the fan body and leave it to drain until it is dry before re-installing the fan body on to the tower motor base and plugging-in the fan.



EN

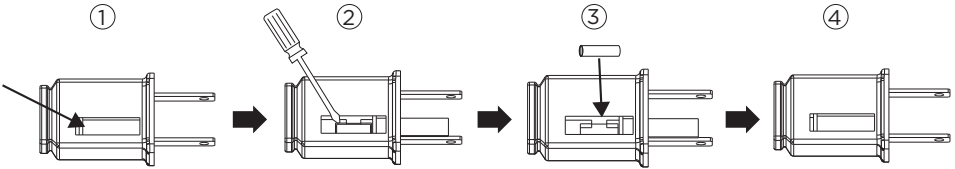
NOTE

When cleaning the fan body it must be detached from the motor base.

USER SERVICING INSTRUCTIONS

- a) Grasp plug and remove from the receptacle or other outlet device. Do not unplug by pulling on cord.
- b) Open fuse cover. Slide open fuse access cover on top of attachment plug towards blades.(Fig. ①)
- c) Remove fuse carefully. Insert the tip of your tool into fuse slot(close with the terminal), then remove the fuse gradually and slowly, but do not overexert. If you encounter resistance, gently work on loosening the fuse. When one side of the fuse has been released, then you can get the fuse out entirely.(Fig. ②)
- d) Risk of fire (fix spacing). Replace fuse only with 2.5 Amp, 125 Volt fuse.(Fig. ③)
- e) Close fuse cover. Slide closed the fuse access cover on top of attachment plug.(Fig. ④)
- f) Risk of fire (fix spacing). Do not replace attachment plug. Contains a safety device (fuse)that should not be removed. Discard product if the attachment plug is damaged.
- g) If the fan suddenly does not work during normal operation, please check whether it is a problem with the fuse.

EN



NOTE


- When you replace the fuse, please do not operate suddenly or overexert, or else the product may become damaged.

TROUBLESHOOTING

If the appliance encounters any errors or malfunctions, the following table contains possible causes and solutions for resolving an error or malfunction.

Problem	Cause	Solution
EN The machine plugged in but NOT powering ON.	<ul style="list-style-type: none"> • Plug improperly inserted into power outlet. 	Check that the power plug is fully and properly inserted into the power outlet, and re-insert if needed.
The machine suddenly shuts-off during working.	<ul style="list-style-type: none"> • The temperature exceeds the threshold of the motor thermal cut-off. 	Please send to after-sales maintenance.
The machine does not work properly	<ul style="list-style-type: none"> • The power cable is not plugged in or has poor contact. 	Make sure the plug is properly inserted into the socket.
	<ul style="list-style-type: none"> • The switch on the body is not turned on. 	Turn on the switch on the body.
The remote does not work	<ul style="list-style-type: none"> • The battery needs replacing. 	Replace the battery.
	<ul style="list-style-type: none"> • The remote is being used more than 16ft away from the fan. 	Use the remote closer to the fan and make sure it is pointing directly at the display panel.
The panel shows EU	<ul style="list-style-type: none"> • Abnormal communication fault. 	Please send to after-sales maintenance.

TRADEMARKS, COPYRIGHTS AND LEGAL STATEMENT

 Midea logo, word marks, trade name, trade dress and all versions thereof are valuable assets of Midea Group and/or its affiliates (“Midea”), to which Midea owns trademarks, copyrights and other intellectual property rights, and all goodwill derived from using any part of an Midea trademark. Use of Midea trademark for commercial purposes without the prior written consent of Midea may constitute trademark infringement or unfair competition in violation of relevant laws.

EN

This manual is created by Midea and Midea reserves all copyrights thereof. No entity or individual may use, duplicate, modify, distribute in whole or in part this manual, or bundle or sell with other products without the prior written consent of Midea.

All the described functions and instructions were up to date at the time of printing this manual. However, the actual product may vary due to improved functions and designs.

DATA PROTECTION NOTICE

For the provision of the services agreed with the customer, we agree to comply without restriction with all stipulations of applicable data protection law, in line with agreed countries within which services to the customer will be delivered, as well as, where applicable, the EU General Data Protection Regulation (GDPR).

EN

Generally, our data processing is to fulfill our obligation under contract with you and for product safety reasons, to safeguard your rights in connection with warranty and product registration questions. In some cases, but only if appropriate data protection is ensured, personal data might be transferred to recipients located outside of the European Economic Area.

Further information are provided on request. You can contact our Data Protection Officer via **MideaDPO@midea.com**. To exercise your rights such as right to object your personal data being processed for direct marketing purposes, please contact us via **MideaDPO@midea.com**. To find further information, please follow the QR Code.

AGRADECIMIENTOS

¡Gracias por elegir Midea! Antes de utilizar su nuevo dispositivo Midea, lea atentamente este manual para asegurarse de que sabe cómo manejar las características y funciones que le ofrece su nuevo electrodoméstico de forma segura.

ES

CONTENIDO

AGRADECIMIENTOS	01
INSTRUCCIONES DE SEGURIDAD	02
ESPECIFICACIONES	06
DESCRIPCIÓN DEL PRODUCTO	07
INSTALACIÓN DEL PRODUCTO	08
INSTRUCCIONES DE FUNCIONAMIENTO	10
LIMPIEZA Y MANTENIMIENTO	12
SOLUCIÓN DE PROBLEMAS	15
MARCAS, DERECHOS DE AUTOR Y DECLARACIÓN LEGALA	16
VISO SOBRE LA PROTECCIÓN DE DATOS	17

INSTRUCCIONES DE SEGURIDAD

Uso Adecuado

Las siguientes directrices de seguridad tienen por objeto evitar riesgos imprevistos o daños derivados de un funcionamiento inseguro o incorrecto del dispositivo. Compruebe el embalaje y el aparato a su llegada para asegurarse de que todo está intacto para garantizar un funcionamiento seguro. Si encuentra algún daño, póngase en contacto con el vendedor o distribuidor. Por favor, tenga en cuenta que las modificaciones o alteraciones en el aparato no están permitidas por su seguridad. El uso inadecuado puede causar peligros y la pérdida de los derechos de garantía.

ES

Simbología



Peligro

Este símbolo indica que existe peligro para la vida y la salud de las personas debido a la existencia de gas extremadamente inflamable.



Advertencia de tensión eléctrica

Este símbolo indica que existe un peligro para la vida y la salud de las personas debido a la tensión.



Advertencia

Este símbolo representa un peligro con un nivel de riesgo medio que, si no se evita, puede provocar la muerte o lesiones graves.



Precaución

Este símbolo indica un peligro con un grado de riesgo bajo que, si no se evita, puede provocar lesiones leves o moderadas.



Atención

Este símbolo indica información importante (por ejemplo, daños materiales), pero no peligro.



Respetar las instrucciones

Este símbolo indica que un técnico de servicio sólo debe operar y mantener este aparato de acuerdo con las instrucciones de funcionamiento.

Lea atentamente este manual de instrucciones antes de utilizar/poner en marcha el dispositivo y guárdelo en las inmediaciones del lugar de instalación o del dispositivo para su uso posterior.

INSTRUCCIONES DE SEGURIDAD IMPORTANTES LEA Y CONSERVE ESTAS INSTRUCCIONES

ES

PRECAUCIÓN

- Lea atentamente las normas de funcionamiento seguro y las instrucciones.
- Este aparato no está diseñado para ser utilizado por personas (incluyendo niños) con capacidades físicas, sensoriales o mentales reducidas, o con falta de experiencia y conocimientos, a menos que hayan recibido supervisión o instrucciones sobre el uso del mismo por parte de una persona responsable de su seguridad. Los niños deben ser supervisados para garantizar que no jueguen con el dispositivo.
- Mantenga los aparatos eléctricos fuera del alcance de los niños o de las personas con problemas de salud. No permita que utilicen los aparatos sin supervisión.
- No introduzca nunca dedos, lápices o cualquier otro objeto a través de la rejilla cuando el ventilador esté en funcionamiento.
- Desconecte el ventilador cuando se traslade de un lugar a otro.
- Asegúrese de que el ventilador esté sobre una superficie estable cuando esté en funcionamiento para evitar que vuelque.
- Sólo para uso doméstico y en interiores.

⚠ ADVERTENCIA

- Si el cable de alimentación está dañado, debe ser sustituido por el fabricante o su representante de servicio técnico o una persona con calificación similar a fin de evitar un peligro.
- Para evitar el riesgo de descarga eléctrica, no sumerja la unidad, el cable o el enchufe en agua u otro líquido.
- Desenchufe o desconecte el aparato de la fuente de alimentación antes de realizarle mantenimiento.
- Para reducir el riesgo de incendio o choque eléctrico, no use este ventilador con ningún tipo de dispositivo de control de velocidad en estado sólido.
- Para reducir el riesgo de incendio, electrocución o lesiones personas, no utilice piezas de repuesto que no hayan sido. No utilice piezas de repuesto no recomendadas por el fabricante (por ejemplo, piezas fabricadas en casa con una impresora 3D).
- Cuando el aparato no esté en uso y antes de limpiarlo, desenchúfelo de la toma de corriente.
- Una vez que el ventilador esté ensamblado, la protección de las aspas del rotor no debe quitarse más.
 - Antes de la limpieza, desenchufe el ventilador.
 - El protector del rotor no debe ser desmontado/abierto para limpiar las palas del rotor.
 - Limpie la carcasa del ventilador y el protector de las palas del rotor con un paño ligeramente húmedo.
- Este aparato tiene un enchufe polarizado (una clavija es más ancha que la otra). Para reducir el riesgo de descarga eléctrica, este enchufe está pensado para encajar en una toma de corriente polarizada sólo en un sentido. Si el enchufe no encaja completamente en la toma de corriente, invierta el enchufe. Si sigue sin encajar, póngase en contacto con un electricista especializado. No intente anular esta característica de seguridad.

⚠ ADVERTENCIA

- Asegúrese de que el ventilador esté desconectado de la red eléctrica antes de retirar la protección.
- Este producto dispone de una protección contra sobrecargas (fusible). Un fusible fundido es señal de una situación de sobrecarga o cortocircuito. Si el fusible se funde, desenchufe el producto de la toma de corriente. Sustituya el fusible de acuerdo con las instrucciones de mantenimiento del usuario (siga las indicaciones del producto para conocer la capacidad del fusible) y compruebe los productos. Si el fusible de repuesto se funde, puede haber un cortocircuito y el producto debe ser desechado o devuelto a un servicio técnico autorizado para su examen y/o reparación.
 - (a) No haga funcionar ningún ventilador con un cable o enchufedañado. Deseche el ventilador o llévelo a un servicio técnico autorizado para que lo examine y/o lo reparen.
 - (b) No pase el cable por debajo de la alfombra. No cubra el cable con alfombras, correderas o revestimientos similares. No pase el cable por debajo de los muebles o electrodomésticos. Coloque el cable lejos del área de tráfico y de los lugares donde se pueda tropezar con él.

ESPECIFICACIONES

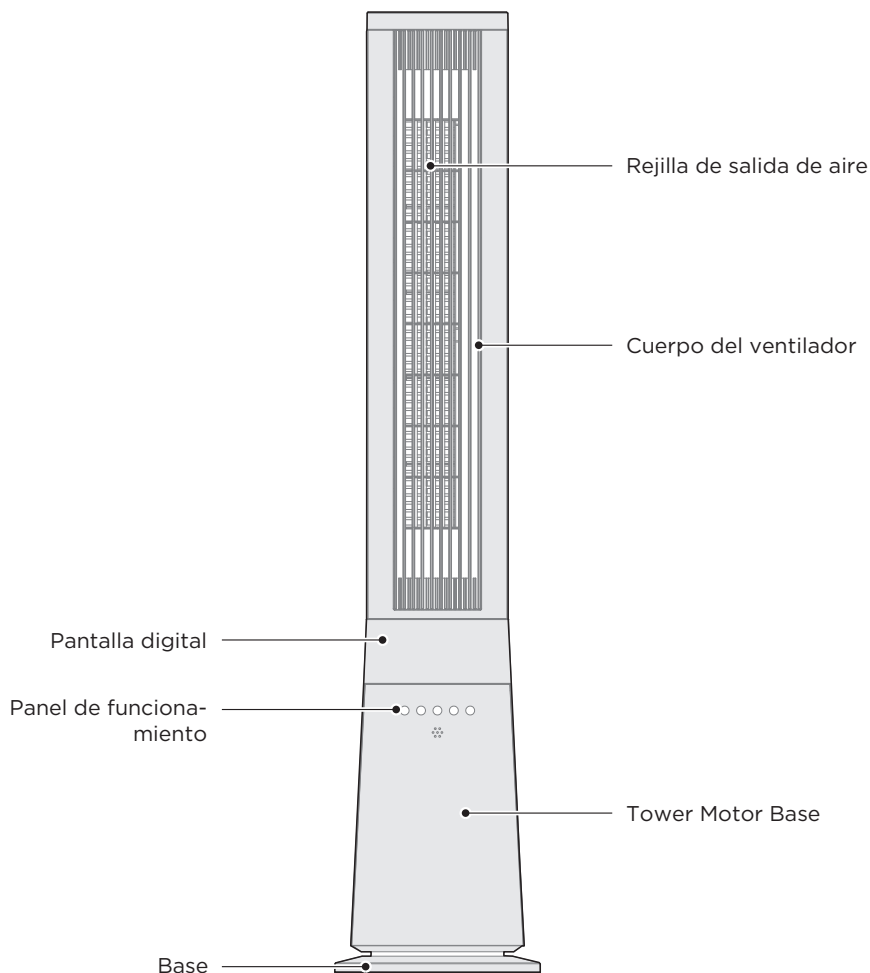
Modelo de producto	MSFT42RW6BL
Voltaje	120V-
Frecuencia	60Hz
Potencia	40W

ES

DESCRIPCIÓN DEL PRODUCTO

Nombre de las piezas

ES



● NOTA

Todas las ilustraciones de este manual son meramente explicativas. Cualquier discrepancia entre el objeto real y la ilustración del dibujo estará sujeta al objeto real.

INSTALACIÓN DEL PRODUCTO

Instalación

- 1 Para instalar, por favor, sujete el mango moldeado en la parte posterior del cuerpo de la unidad e instálelo alineado con la parte posterior de la base.

ES



NOTA

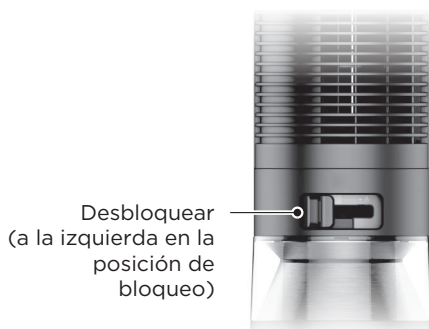
Asegúrese de que tanto el cuerpo como la base están alineados en la parte posterior para evitar problemas en la parte delantera.

- 2 Cuando alinee el cuerpo del ventilador con su base, asegúrese de que ambos estén en la misma dirección vertical. Si detecta que no están alineados correctamente, gire el cuerpo del ventilador suavemente de un lado a otro hasta que encaje de manera adecuada y precisa en la base.
Compruebe que no exista espacio entre el cuerpo y la base.
Para comprobar que la alineación es correcta:



ES

- 3 Después de alinear correctamente el cuerpo, mueva el seguro desde la izquierda hacia la derecha. La unidad estará lista para su uso cuando escuche un pitido un segundo después de encenderla



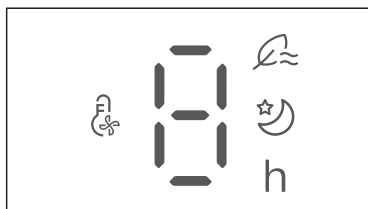
INSTRUCCIONES DE FUNCIONAMIENTO

Antes de utilizar el dispositivo

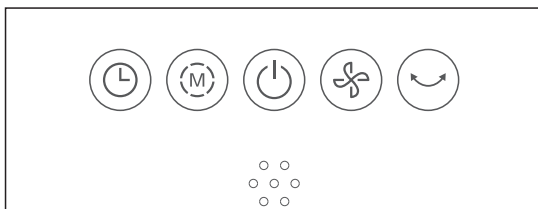
- Retire la cinta adhesiva azul intransferible del cuerpo antes de utilizarlo.

ES

Instrucciones para el manejo de la unidad



Panel de visualización

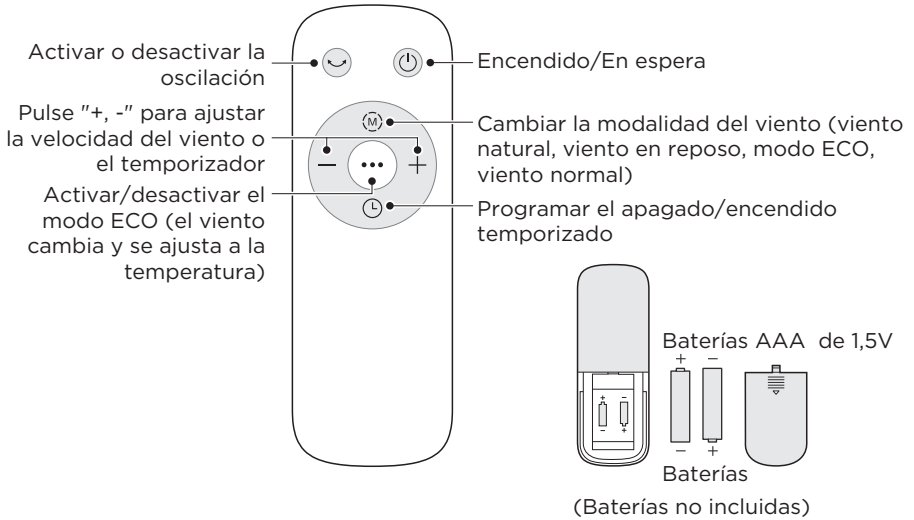


Panel de funcionamiento

Botón	Descripción
	En la modalidad de encendido, puede programar el apagado automático para que se realice entre 1 y 9 horas. En la modalidad de espera, cuando el aparato está encendido, pero no en funcionamiento, es posible programar el encendido para que ocurra en un intervalo de 1 a 9 horas.
	Pulse este botón para cambiar el tipo de viento (viento natural, viento en reposo, modo ECO, viento normal).
	Pulse el botón “” (Encendido/En espera) para encender o poner en espera la unidad.
	Pulse esta tecla para cambiar la velocidad del viento (ciclo según la secuencia de 1-5).
	Pulse este botón para activar/desactivar la modalidad de oscilación.
	El ventilador ajusta automáticamente la velocidad del viento según un programa establecido, con tres niveles disponibles (1, 2 y 3).
	Este icono se ilumina en el modo de reposo.
	Este icono se enciende cuando la función Temporizador está activada.

Control remoto

- El control remoto debe utilizarse normalmente delante del producto con un ángulo de desviación de 30 grados.
- La batería contiene muchos metales pesados, ácidos y bases, etc., que pueden poner en peligro la salud humana; las baterías usadas deben reciclarse por separado.
- El diagrama esquemático del control remoto es sólo ilustrativo; consulte el producto real.



ES

ADVERTENCIA SOBRE LAS BATERÍAS

- Utilice baterías de manganeso o alcalinas del tipo "AAA" .
- NO utilice baterías recargables.
- NO tire las baterías al fuego, podrían explotar o tener fugas.
- NO mezcle baterías viejas y nuevas.
- NO mezcle baterías alcalinas, estándar (carbono-zinc) o recargables (níquel-cadmio).
- Preste atención a los polos (+ y -) de las baterías.

LIMPIEZA Y MANTENIMIENTO

El ventilador requiere de poco mantenimiento. No intente hacer las reparaciones usted mismo. Consulte con personal de servicio técnico calificado si necesita realizar algún tipo de mantenimiento al producto.

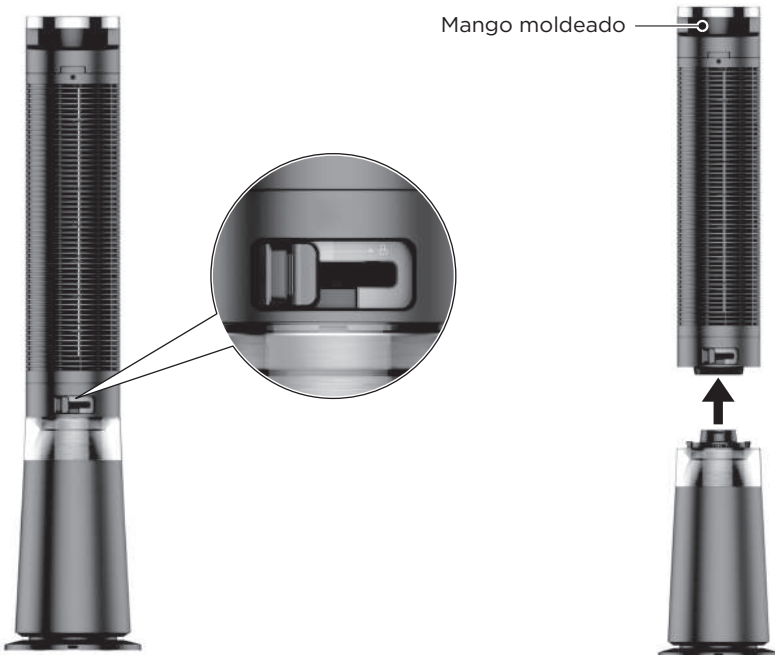
1. Antes de limpiar y armar el producto, este debe estar desconectado.
2. Para asegurar una circulación de aire adecuada en el motor, mantenga las aperturas de ventilación traseras del motor libres de polvo. No desarme el ventilador para eliminar el polvo.
3. Limpie las partes externas con un trapo suave humedecido con detergente suave.
4. No use detergentes abrasivos o solventes para evitar rayar la superficie del producto. No use los siguientes productos para limpiar: gasolina, diluyente o similares.
5. No permita que ingrese agua u otros líquidos a la carcasa del motor o partes internas.
6. Asegúrese de desconectar la unidad del suministro eléctrico antes de limpiarla.
7. Las piezas plásticas deben ser limpiadas con un paño suave humedecido con detergente suave. La capa de jabón debe ser eliminada por completo con un trapo seco.

ES

Instrucciones de limpieza

1. Cómo desmontar el cuerpo del ventilador de la base del motor

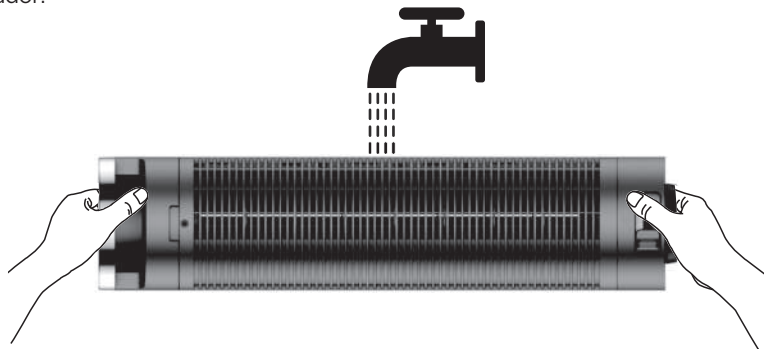
Antes de separar el cuerpo de la base, apague el interruptor de encendido y desenchúfelo, luego mueva el seguro de la parte posterior hacia el extremo izquierdo, sujete la parte posterior del cuerpo por el mango moldeado y levántelo verticalmente hacia arriba para separar el cuerpo de la base.



2. Limpieza

Enjuague:

Coloque bien el cuerpo del ventilador y enjuáguelo a fondo bajo el grifo o la ducha. Después de enjuagarlo, sacuda suavemente el exceso de agua y déjelo escurrir hasta que se seque antes de volver a instalarlo en la base del motor de la torre y enchufar el ventilador.



ES

● NOTA

Para limpiar el cuerpo del ventilador, debe separarlo de la base del motor.

INSTRUCCIONES DE MANTENIMIENTO PARA EL USUARIO

a) Sujete el enchufe y retírelo del receptáculo o de otro dispositivo de salida. No desenchufe tirando del cable.

ES b) Abra la tapa del fusible. Deslice la tapa de acceso a los fusibles en la parte superior del enchufe hacia las clavijas. (Fig. ①)

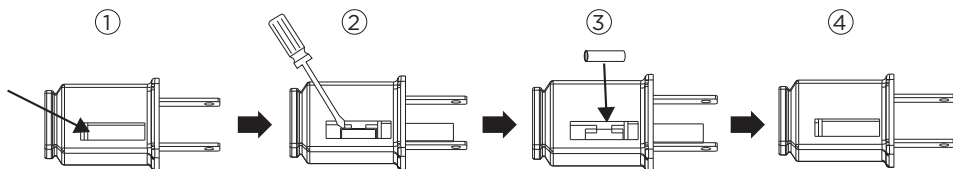
c) Retire el fusible con cuidado. Inserte la punta de su herramienta en la ranura del fusible (cierre con el terminal), y luego apriete el fusible de forma gradual y lenta, pero sin excederse. Si siente que está apretado, puede intentarlo varias veces y premiar el fusible poco a poco. Cuando un lado del fusible haya sido premiado, entonces podrá sacar el fusible por completo. (Fig. ②)

d) Riesgo de incendio. Sustituya el fusible sólo por un fusible de 2,5 amperios y 125 voltios. (Fig. ③)

e) Cierre la tapa del fusible. Deslice la tapa de acceso a los fusibles en la parte superior del enchufe. (Fig. ④)

f) Riesgo de incendio. No sustituya el enchufe del accesorio. Contiene un dispositivo de seguridad (fusible) que no debe retirarse. Deseche el producto si el enchufe está dañado.

g) Si el ventilador no funciona repentinamente durante el funcionamiento normal, compruebe si se trata de un problema con el fusible.



● NOTA

- Cuando cambie el fusible, por favor, no lo accione de forma repentina ni haga un esfuerzo excesivo, o de lo contrario el producto se dañará o causará un accidente.


SOLUCIÓN DE PROBLEMAS

Si el aparato presenta errores o fallos de funcionamiento, la siguiente tabla contiene las posibles causas y soluciones para resolver un error o avería.

Problema	Causa	Solución
El dispositivo está enchufado, pero NO enciende.	<ul style="list-style-type: none"> El enchufe no está bien conectado en el tomacorriente. 	Compruebe que el enchufe de alimentación esté completa y correctamente insertado en la toma de corriente, y vuelva a insertarlo si es necesario.
El dispositivo se apaga repentinamente durante el funcionamiento.	<ul style="list-style-type: none"> La temperatura supera el umbral de desconexión térmica del motor. 	Envíe el dispositivo al servicio de mantenimiento postventa.
El dispositivo no funciona correctamente	<ul style="list-style-type: none"> El cable de alimentación no está enchufado o tiene mal contacto. 	Compruebe que el enchufe esté bien insertado en la toma de corriente.
	<ul style="list-style-type: none"> El interruptor del aparato no está encendido. 	Encienda el interruptor del cuerpo de la unidad.
El control remoto no funciona	<ul style="list-style-type: none"> Hay que cambiar las baterías. 	Sustituya las baterías.
	<ul style="list-style-type: none"> El control remoto se está utilizando a más de 5 metros del ventilador. 	Acerque el control remoto al ventilador y asegúrese de que apunte directamente a la pantalla.
El panel muestra EU	<ul style="list-style-type: none"> allo de comunicación anormal. 	Envíe el dispositivo al servicio de mantenimiento postventa.

ES

MARCAS, DERECHOS DE AUTOR Y DECLARACIÓN LEGAL

El logotipo de  Midea, las marcas denominativas, el nombre comercial, la imagen comercial y todas las versiones de los mismos son activos valiosos del Grupo Midea y/o sus asociados ("Midea"), de los que Midea es titular de marcas comerciales, derechos de autor y otros derechos de propiedad intelectual, así como de todo el fondo de comercio derivado del uso de cualquier parte de una marca comercial de Midea. El uso de la marca Midea con fines comerciales sin el consentimiento previo por escrito de Midea puede constituir una infracción de la marca o de la competencia desleal en violación de las leyes pertinentes.

Este manual ha sido creado por Midea y Midea se reserva todos los derechos de autor del mismo. Ninguna entidad o individuo puede utilizar, duplicar, modificar, distribuir en todo o en parte este manual, ni agrupar o vender con otros productos sin el consentimiento previo por escrito de Midea.

Todas las funciones e instrucciones descritas estaban actualizadas en el momento de imprimir este manual. Sin embargo, el producto real puede variar debido a la mejora de sus funciones y diseños.

AVISO SOBRE LA PROTECCIÓN DE DATOS

Para la prestación de los servicios acordados con el cliente, nos comprometemos a cumplir sin restricciones todas las estipulaciones de la legislación aplicable en materia de protección de datos, en consonancia con los países acordados en los que se prestarán los servicios al cliente, así como, en su caso, el Reglamento General de Protección de Datos de la UE (GDPR).

ES

Por lo general, nuestro tratamiento de datos tiene por objeto cumplir nuestra obligación contractual con usted y, por razones de seguridad del producto, salvaguardar sus derechos en relación con la garantía y las cuestiones de registro del producto. En algunos casos, pero sólo si se garantiza una protección adecuada de los datos, los datos personales podrían transferirse a destinatarios situados fuera del Espacio Económico Europeo.

Puede solicitar más información al respecto. Puede ponerse en contacto con nuestro encargado de la protección de datos a través de **MideaDPO@midea.com**. Para ejercer sus derechos, como el de oponerse al tratamiento de sus datos personales con fines de marketing directo, póngase en contacto con nosotros a través de **MideaDPO@midea.com**. Para obtener más información, siga el código QR.



make yourself at home



midea.com

© Midea 2022 all rights reserved