



Bottom-Freezer Refrigerator

Power supply: 115 V
Frequency: 60Hz
Capacity: 18.7 cu. ft.

Note:

Before using this product, please read this manual carefully and keep it for future reference. Contact Midea Customer Service at 1-866-646-4332 or visit midea.com/us/support for assistance.

(Pictures are for reference only and may not accurately represent all models covered by this manual.)

version A - 09 - 2020

USER MANUAL



Free 3 months extension of the original limited warranty period!* Simply text a picture of your proof of purchase to:

1-866-646-4332

*The warranty extension is for the three months immediately following the completion of the product's original warranty period.

**MODEL NUMBER MRB19B7AWW
MRB19B7AST
www.midea.com**

Dear user

Thank you for letting Midea help you "make yourself at home." This manual is part of our commitment to your total satisfaction. Please read this manual carefully before use and keep it in a convenient place for future reference.

To help us serve you better, please consider registering your product using our convenient Midea app MSmartlife, by visiting HYPERLINK <http://www.midea.com>, or by texting a picture of your proof of purchase to **1-866-646-4332**.

By using the text option you will earn an additional 3 month warranty extension immediately following the completion of the product's original warranty.

REFRIGERATOR SAFETY	3
OPERATION REQUIREMENTS	6
Location Requirements.....	6
Electrical Requirements.....	7
PARTS AND FEATURES	8
INSTALLATION.....	9
Unpack.....	9
Move to Final Location.....	9
Level Refrigerator.....	10
Reverse the Door Swing.....	10
Installing an Optional Ice Maker	13
BEFORE USE	14
Waiting Period.....	14
Cleaning.....	14
REFRIGERATOR USE.....	15
General.....	15
Controls.....	16
REFRIGERATOR CARE.....	18
Cleaning.....	18
Moving.....	18
Storage.....	19
TROUBLESHOOTING	19
General.....	19

Error Codes.....	21
WARRANTY.....	22

REFRIGERATOR SAFETY

YOUR SAFETY AND THE SAFETY OF OTHERS ARE VERY IMPORTANT

To prevent injury to the user or other people and property damage, the instructions shown here must be followed. Incorrect operation due to ignoring of instructions may cause harm or damage, including death.

The level of risk is shown by the following indications.



WARNING

This symbol indicates the possibility of death or serious injury.



CAUTION

This symbol indicates the possibility of injury or damage to property.



WARNING

This symbol indicates the possibility of dangerous voltage constituting a risk of electrical shock is present that could result in death or serious injury.

IMPORTANT SAFETY INSTRUCTIONS

WARNING

GENERAL APPLIANCE SAFETY

- Read all safety warnings, instructions, illustrations and specifications provided with this appliance. Failure to follow all instructions listed below may result in electric shock, fire and/or serious injury.
- Save all warnings and instructions for future reference.

ELECTRICAL SAFETY

- Plug into a grounded 3 prong outlet.
- Do not remove ground plug.
- Do not use an adapter.
- Unplug the power cord by holding the plug, never by pulling the cord.
- DO NOT turn the appliance on or off by plugging or unplugging the power cord.
- DO NOT use an extension cord.
- Unplug the refrigerator before cleaning or defrosting.

Grounding requirement

- This refrigerator must be grounded. This refrigerator is equipped with a grounding plug. The plug must be inserted into an outlet that is properly installed and grounded.
- Improper use of the grounding plug can result in a risk of electric shock. Consult a qualified electrician or service person if the grounding instructions are not completely understood or if doubt exists as to whether the refrigerator is properly grounded.

LOCATION SAFETY

- This refrigerator is intended to be used in household and similar environments.
- Install in accordance with the manufacturer's instructions.
- This refrigerator should not be recessed or built-in an enclosed cabinet. It is designed for freestanding installation only. **WARNING** - Keep ventilation openings, in the refrigerator, clear of obstruction.
- DO NOT install near any heat sources, such as radiators, heat registers, stoves, other cooking appliances or in direct sunlight.
- DO NOT store or use gasoline or any flammable liquids inside or in the vicinity of this refrigerator.

USE AND CARE SAFETY

- Flammable refrigerant used. Follow handling instructions carefully. Risk of fire or explosion due to puncture of refrigerant tubing.
- Flammable refrigerant used. Do not use mechanical devices to defrost freezer. Do not puncture refrigerant tubing.
- This appliance is not intended for use by persons (including children) with reduced physical, sensory or mental capabilities, or lack of experience and knowledge, unless they have been given supervision or instruction concerning use of the appliance by a person responsible for their safety.
- Keep key away from children.
- Children should be supervised to ensure that they DO NOT play with the appliance.
- DO NOT touch the interior of the freezer with wet hands. This could result in frostbite.
- Clean only with a damp cloth. Use nonflammable cleaner.

SERVICE SAFETY

- Disconnect power before servicing.
- Flammable refrigerant used. To be repaired only by trained service personnel. Do NOT puncture refrigerant tubing.

- Refer all servicing to qualified service personnel. Do not repair or replace any part of this appliance unless specifically recommended in this manual. Servicing is required when the appliance has been damaged in any way, such as the power supply cord or plug is damaged, liquid has been spilled or objects have fallen into the appliance, the appliance has been exposed to rain or moisture, does not operate normally, or has been dropped.
- If the supply cord is damaged, it must be replaced by the manufacturer, its service agent, or similarly qualified person, in order to avoid a hazard.
- If component part is damaged, it must be replaced by the manufacturer, its service agent or similarly qualified persons in order to avoid a hazard.
- Replace all parts and panels before operating.

SAVE THESE INSTRUCTIONS

THIS APPLIANCE IS FOR HOUSEHOLD USE ONLY

State of California Proposition 65 Warnings:



WARNING: Cancer and Reproductive Harm
-www.P65Warnings.ca.gov.

PROPER DISPOSAL



WARNING

Suffocation Hazard

Before you throw away your old refrigerator:

- Remove the door or lid so that children cannot hide or get trapped inside your old appliance.
- Leave any shelves in place so that children may not easily climb inside.
- Failure to follow these instructions can result in death or brain damage.

IMPORTANT: Flammable gas and refrigerant used. It is the consumer's responsibility to comply with Federal and Local regulations when disposing of this product. Refrigerants must be evacuated by a licensed, EPA certified refrigerant technician in accordance with established procedures.

OPERATION REQUIREMENTS

LOCATION REQUIREMENTS

WARNING

Explosion and Fire Hazard

- Keep flammable materials and vapors, such as gasoline, away from appliance.
- Failure to do so, can result in death, explosion or fire.

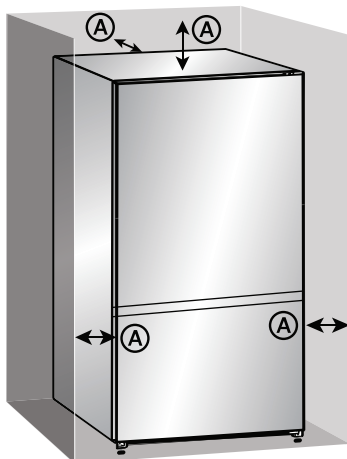
This refrigerator is designed to be freestanding only, and should not be recessed or built-in.

- Place your refrigerator on a floor that is level and strong enough to support the refrigerator when it is fully loaded.
- Place your refrigerator where there is access to the required electrical connection. See “Electrical Requirements.”
- Position the refrigerator in a location away from direct sunlight, because it may affect the acrylic coating and heat sources may increase electrical consumption. To ensure optimal performance, install in areas with an ambient temperature between 41°F (5°C) and 109°F (42.8°C).

NOTES:

- Direct sunlight may affect the acrylic coating and heat sources may increase electrical consumption.
- Extremely cold temperatures may also prevent the refrigerator from performing properly.
- Avoid locating the refrigerator in areas with high humidity.
- Adequate air circulation is required for efficient operation. Maintain the recommended clearance to ensure adequate air circulation.

RECOMMENDED CLEARANCE



A 3" (7.6 cm)
Clearance at the
top, back and
both sides of
the refrigerator

NOTE: If you place the refrigerator next to a fixed wall, allow sufficient space on the hinge-side for the door to swing open.

ELECTRICAL REQUIREMENTS

WARNING

Electrical Shock Hazard

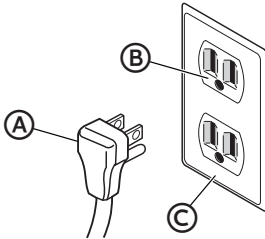
- Plug into a grounded 3 prong outlet.
- Do not remove the ground prong from the power cord plug.
- Do not use an adapter.
- Do not use an extension cord.
- Failure to do so can result in death, fire or electrical shock.

IMPORTANT: A 115 Volt, 60 Hz., AC only, 15-amp fused, grounded electrical supply is required.

- Use an electrical outlet that accepts the grounding prong.

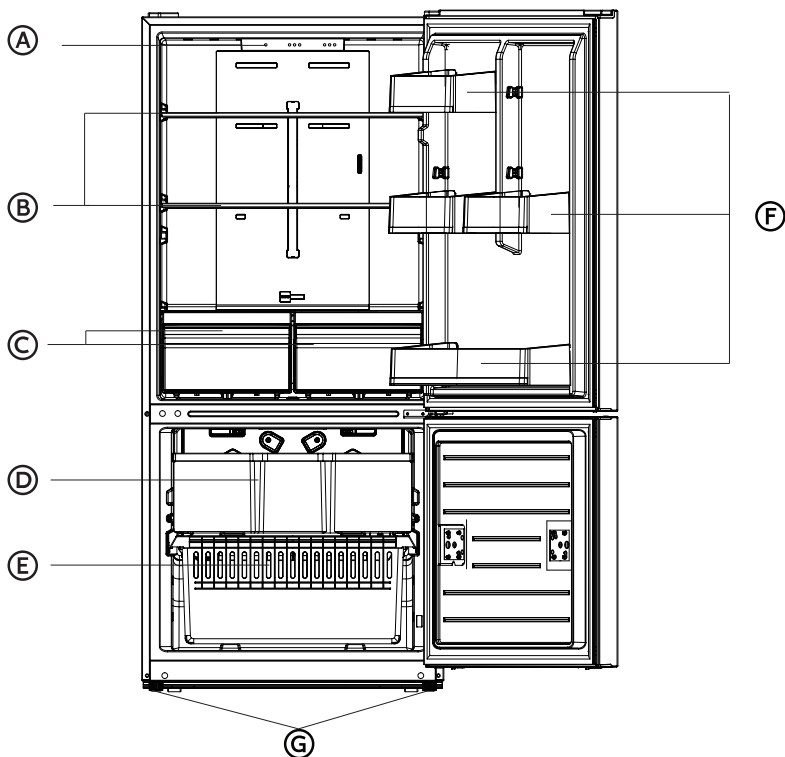
NOTE: The power cord is equipped with a 3-prong (grounding) plug which mates with a standard 3-prong (grounding) electrical outlet.

- We recommend that the refrigerator be plugged into an electrical circuit serving ONLY this appliance.
- Use an electrical outlet that cannot be turned off with a switch or pull-chain.
- DO NOT use an extension cord.



- Ⓐ 3-prong plug
- Ⓑ 3-prong receptacle
- Ⓒ Receptacle box cover

PARTS AND FEATURES



- A** LED light & temperature control panel

B Glass shelf

C Fruits and vegetables box

D Top drawer of freezer
- E** Drawer under freezer

F Door tray

G Leveling feet (2 - bottom front)
Wheels (2 - bottom back)

SPECIFICATIONS

Dimension (WxDxH)	29½" x 30¾" x 66¾" (75 x 78.5 x 169.2 cm)
Weight	185lbs. (84.0 kg)
Power requirements	115 V ~ 60 Hz
Power cord length	66.9" (170 cm)

INSTALLATION

UNPACK

WARNING

Fire or Explosion Hazard

- Do not puncture refrigerant tubing.
- Follow handling instructions carefully.
- Flammable refrigerant used.
- Failure to do so can result in death, explosion or fire.

IMPORTANT: Remove ALL exterior and interior packing materials including the foam packing between the exterior condenser and the refrigerator cabinet.

MOVE TO FINAL LOCATION

WARNING

Fire or Explosion Hazard

- Do not puncture refrigerant tubing.
- Follow handling instructions carefully.
- Flammable refrigerant used.
- Failure to do so can result in death, explosion or fire.

IMPORTANT:

- If the refrigerator has been in a horizontal position for any period of time, wait 24 hours to allow the refrigerant to settle before plugging in the refrigerator.
- When moving the refrigerator, DO NOT tilt it beyond 45° from upright.

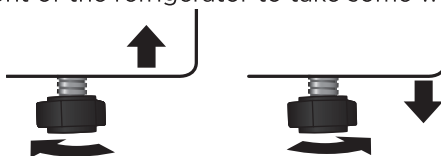
NOTE: Tilting the refrigerator more than 45° could damage the compressor and the sealed system.

LEVEL REFRIGERATOR

IMPORTANT: Level the refrigerator for proper operation and to avoid cooling, frost and moisture problems that can occur when the door does not close properly.

1. Move the refrigerator to its final location. See “Move to Final Location.”
2. Place a carpenter's level on the top of the refrigerator cabinet.
3. Adjust the two leveling feet, (one foot located at each of the two front corners of the refrigerator cabinet) until the refrigerator is level.

NOTE: The leveling feet are easier to adjust if you have someone push against the top front of the refrigerator to take some weight off the feet.

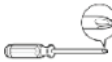
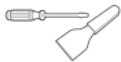




To Raise - Turn the leveling feet clockwise.






To Lower - Turn the leveling feet counterclockwise.

REVERSE THE DOOR SWING

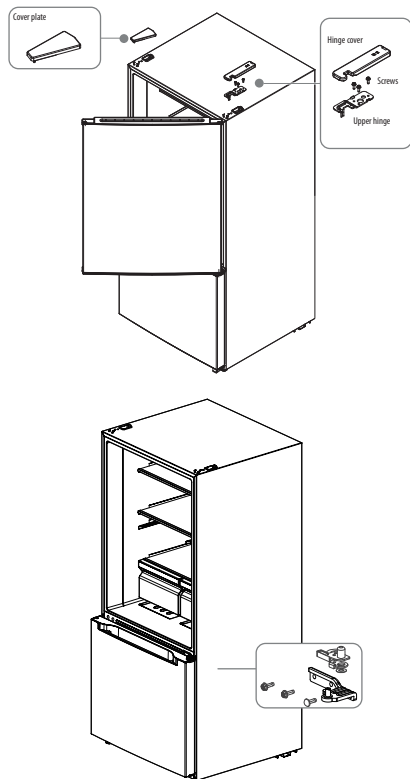
List of tools to be provided by the user

	Phillips-head Screwdriver		Putty knife Flat-head Screwdriver
	5/16" socket and ratchet		Masking tape

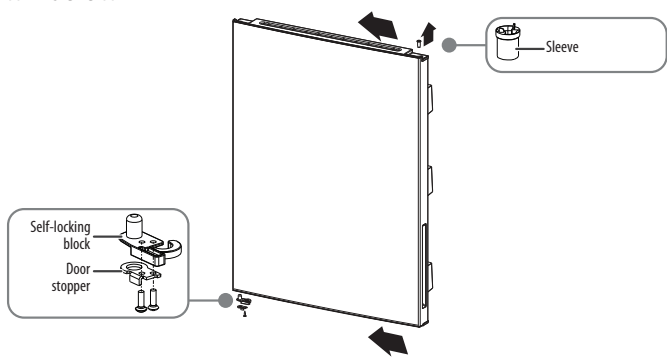
Parts included with the hinge kit

	Left top hinge cover (1)		Left door- open stopper (1)		Left door- self-locking block (1)
	Top left hinge (1)		Extra hole caps (2)		

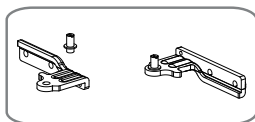
1. Make sure that your refrigerator is unplugged and empty.
2. Pry the left cover plate and right top hinge cover from the top of the refrigerator.
3. Remove the three screws that secure the upper hinge to the refrigerator, then remove the hinge. Save the screws to reuse.
4. Remove the refrigerator compartment door from the cabinet.



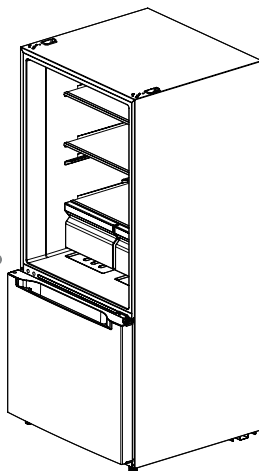
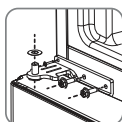
5. Remove the three screws that secure the center hinge to the refrigerator, then remove the center hinge. Save the screws to reuse.
6. Remove the sleeves and hole caps from the refrigerator door, then install them in the opposite side of the door.
7. Take the left-side self-locking block and stopper from the accessory bag and install them in the bottom left side of the refrigerator door as shown below.



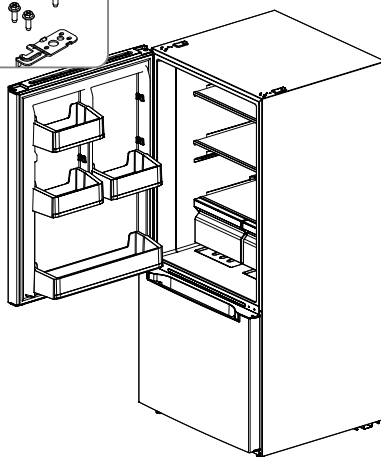
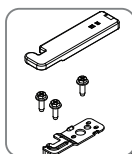
- Remove the center hinge, remove the center hinge shaft with a slotted screwdriver, install hinge shaft on opposite side of the hinge and install the hinge to the left of the box.



In the order shown above, the center hinge shaft is changed.



- Insert the door stopper on the bottom left side of the refrigerator door onto the hinge pin you installed in the middle left side of the refrigerator.
- Take the left-side top hinge from the accessory bag and install it on the top left side of the refrigerator with the screws you previously removed, and the hinge pin in the door sleeve of the refrigerator door.



11. Install the hinge cover on the left side of the refrigerator and the hole cover on the right side.

(The picture above is only for reference. The actual configuration may vary.)

INSTALLING AN OPTIONAL ICE MAKER

The refrigerator comes set up for ice maker installation. This refrigerator is compatible with Midea IM1900MD ice maker. Please refer to individual ice maker installation instruction manual.

WARNING

Unplug the refrigerator. To eliminate the danger of electric shock during installation, you must unplug the refrigerator from its electrical outlet.

BEFORE USE

WAITING PERIOD

- Before plugging the refrigerator into a grounded 3-prong electrical outlet, allow it to stand upright for approximately 2 hours.

NOTE: This reduces the possibility of a malfunction in the cooling system from improper handling during transportation.

CLEANING

1. Wash the refrigerator interior using a soft cloth dampened with a baking soda solution (2 tablespoons baking soda mixed with 1 quart of warm water).
2. Using a soft cloth, thoroughly dry all surfaces.

REFRIGERATOR USE

GENERAL

- The storage life of frozen foods varies and the recommended storage time should not be exceeded.

WARNING

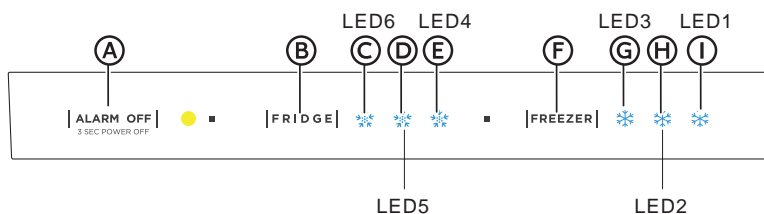
Electrical Shock Hazard

- Plug into a grounded 3 prong outlet.
 - Do not remove the ground prong from the power cord plug.
 - Do not use an adapter.
 - Do not use an extension cord.
 - Failure to do so can result in death, fire or electrical shock.
1. Plug in your refrigerator. Wait for 30 minutes, and then open the refrigerator door to determine if the refrigerator is working properly.
 2. Place frozen food into the refrigerator as quickly as possible after purchase. If there are instructions on the package, carefully follow these instructions regarding storage times.

ENERGY SAVING TIPS

- Allow hot foods to cool to room temperature before placing them in the refrigerator. Foods that freeze too slowly may lose quality or spoil.
- Overloading the refrigerator forces the compressor to run longer.
- Wrap foods properly and wipe containers dry before placing them in the refrigerator. This cuts down on frost build-up inside the refrigerator.
- Do not line refrigerator storage shelves with aluminum foil, wax paper or paper toweling. Liners interfere with cold air circulation, making the refrigerator less efficient.
- Organize and label food to reduce door openings and extended searches. Remove as many items as needed at one time, and then close the door as soon as possible.
- Do NOT add a large amount of unfrozen food to the refrigerator at one time. This will lower the cooling efficiency of the refrigerator.

CONTROLS



- (A) Alarm/Power Off/Power On button
- (B) Fridge Setting
- (C) Fridge LED 6 cool indicator
- (D) Fridge LED 5 indicator
- (E) Fridge LED 4 coolest indicator
- (F) Freezer Setting
- (G) Freezer LED 3 cold indicator
- (H) Freezer LED 2 indicator
- (I) Freezer LED 1 coldest indicator

DISPLAY

Once initially powered on, the display screen is on full display for 3 seconds.

The refrigerator default setting is medium, and the LED2 and LED 5 indicator will be illuminated.

This is normal operation display.

In case of a failure, the appropriate LED light will flash in sequence.

In case of no failures, the current temperature setting of the refrigerator will be on display.

TEMPERATURE SETTING

Each time the temperature setting [**FRIDGE**] [**FREEZER**] is pressed once, the temperature setting changes one time.

After the temperature setting has been completed, the refrigerator will run according to the set value after 25s.

From left to right, the temperature is lower.

The order of coldness settings is as follows:



STANDBY MODE

To enter standby mode, press **|ALARM OFF|** for 3 seconds when the refrigerator is running. In standby mode, the compressor will not operate and the standby indicator light will be illuminated. To resume normal operation, just press **|ALARM OFF|** momentarily.

REFRIGERATOR CARE

Your refrigerator is designed for year-round use and requires minimal cleaning and maintenance. To keep your refrigerator running efficiently and odor free, we recommend that you clean the refrigerator regularly.

CLEANING

WARNING

Electrical Shock Hazard

- Unplug your appliance or disconnect power before cleaning.
- Failure to do so can result in death, electric shock or personal injury.

WARNING

Explosion Hazard

- Use nonflammable cleaner.
- Failure to do so can result in death, explosion or fire.

IMPORTANT: To prevent damage to the finish, DO NOT use gasoline, benzene, thinner or other solvents, and DO NOT use abrasive cleaners.

1. Unplug the refrigerator from the electrical outlet.
2. Remove all food.
3. Remove and wash the shelves with a mild detergent solution.
4. Wash the refrigerator interior using a soft cloth dampened with a baking soda solution (2 tablespoons baking soda mixed with 1 quart of warm water).
5. Clean the gasket around the door. Gently wipe the gasket using a soft cloth dampened with a mild detergent solution.

NOTE: Gaskets must be kept clean and pliable to assure a proper seal.

6. Using a soft cloth, thoroughly dry all surfaces.
7. Plug in or reconnect power.

MOVING

IMPORTANT: When moving your refrigerator, DO NOT tilt it beyond 45° from upright.

1. Unplug your refrigerator from the wall outlet.
2. Remove all food.
3. Securely tape down all loose items inside your refrigerator.
4. Tape the door shut.

STORAGE

IMPORTANT: Do not store refrigerator in a location that is accessible to children.

1. Unplug your refrigerator from the electrical outlet.
2. Remove all food.
3. Clean the refrigerator.
4. Leave the door open slightly to avoid possible formation of condensation, mold or odor.

TROUBLESHOOTING

IMPORTANT: DO NOT try to repair your refrigerator yourself. Doing so voids the warranty.

GENERAL

PROBLEM	POSSIBLE CAUSE	SOLUTION
The refrigerator does not operate	The refrigerator is unplugged.	Make sure that the refrigerator power cord is fully plugged into the electrical outlet.
	The fuse on the circuit is blown or the circuit breaker is tripped.	Check the house fuse / circuit breaker box and replace the fuse or reset the circuit breaker.
	Power failure.	If a power failure occurs, the refrigerator turns off. Wait until the power is restored.
The refrigerator door does not close completely	Food packages are interfering with the door.	Move or remove some food items.
	The door gaskets are dirty.	Clean the door gaskets.
	The refrigerator may not be level.	Level the refrigerator.

PROBLEM	POSSIBLE CAUSE	SOLUTION
Food in the refrigerator is not cold	The door has been opened too often or was not closed properly.	Make sure that the door is closed properly.
	A large amount of food was recently added.	Allow time for the recently added food to cool, and then check again.
	The door is not closed completely.	Check the door gasket and food distribution, and make sure that the door closes completely.
	The refrigerator has been disconnected for a period of time.	Allow 4 hours for the refrigerator to cool completely before adding food.
The refrigerator makes unusual noises or vibrations	The temperature control is set too warm.	Set the temperature control to a colder setting.
	The refrigerator may not be level.	Adjust the leveling feet located on the front corners of the refrigerator until the refrigerator is level.
	The refrigerator cabinet is touching a wall.	Move the refrigerator away from the wall.
Moisture is building up in the interior of the refrigerator	Metal parts undergo expansion and contraction.	This is normal.
	Refrigerant is circulating throughout the system.	This is normal.
	The door has been opened too often or was not closed properly.	Make sure that the door is closed properly.
	The refrigerator is located in a humid area.	Move the refrigerator to a drier location.
	The weather is hot and humid.	This is normal.

PROBLEM	POSSIBLE CAUSE	SOLUTION
The compressor turns on and off frequently.	The room temperature is hotter than normal.	This is normal.
	A large amount of food was recently added.	Allow time for the recently added food to cool, and then check again.
	The door is not closed completely or was opened too often.	Check the door gasket and food distribution to make sure the door will close completely.
	The refrigerator has been disconnected for a period of time.	Allow 4 hours for the refrigerator to cool completely before adding food.
Refrigerator has an odor	The temperature control was not set correctly.	Set the temperature control to the correct setting.
	Refrigerator needs cleaning.	Clean the refrigerator. See, "Cleaning."
	Improperly wrapped food is giving off an odor.	Wrap food tightly or seal before storing it in the refrigerator.

ERROR CODES

Fault Code	Fault Description
LED 1 indicator and LED 2 indicator	Refrigerator temperature sensor fault
LED 1 indicator and LED 5 indicator	Freezer temperature sensor fault
LED 1 indicator and LED 3 indicator	Freezer defrost sensor fault
LED 2 indicator and LED 4 indicator	Communication fault
LED 1 indicator and LED 4 Ambient	Ambient temperature sensor fault

MIDEA REFRIGERATOR LIMITED WARRANTY

ATTACH YOUR RECEIPT HERE. PROOF OF PURCHASE IS REQUIRED TO OBTAIN WARRANTY SERVICE.

Please have the following information available when you call the Customer Service Center:

- Name, address and telephone number
- Model number and serial number
- A clear, detailed description of the problem
- Proof of purchase including dealer or retailer name and address

IF YOU NEED SERVICE:

1. Before contacting us to arrange service, please determine whether your product requires repair. Some questions can be addressed without service. Please take a few minutes to review the Troubleshooting section of the User Manual, or visit <http://us.Midea.com/support>
2. All warranty service is provided exclusively by our authorized Midea Service Providers, in the U.S. and Canada.

Midea Customer Service

In the U.S.A. or Canada, call 1-866-646-4332.

If outside the 50 States of the United States or Canada, contact your authorized Midea dealer to determine whether another warranty applies.

1 YEAR PARTS AND LABOR

WHAT IS COVERED

FIRST YEAR LIMITED WARRANTY (PARTS AND LABOR)

Midea will repair or replace, without charge, any defects due to faulty materials or workmanship for one full year from the date of purchase. For further detail of warranty coverage and warranty repair information, visit www.midea.com or call **1-866-646-4332**.

Consumer will be responsible for:

- Diagnostics, removal, transportation and reinstallation cost required because of service.
- Costs of service calls that are a result of items listed under **NORMAL RESPONSIBILITIES OF THE CONSUMER****

NORMAL RESPONSIBILITIES OF THE CONSUMER**

This warranty applies only to products in ordinary household use, and the consumer is responsible for the items listed below:

1. Proper use of the appliance in accordance with the instructions provided with the product.
2. Routine maintenance and cleaning necessary to keep the good working condition.
3. Proper installation by an authorized service professional in accordance with instructions provided with the appliance and in accordance with all local plumbing, electrical and / or gas codes.
4. Proper connection to a grounded power supply of sufficient voltage, replacement of blown fuses, repair of loosened connections or defects in house wiring.
5. Expenses for making the appliance accessible for servicing.
6. Damages to finish after installation.

YOUR SOLE AND EXCLUSIVE REMEDY UNDER THIS LIMITED WARRANTY SHALL BE PRODUCT REPAIR OR REPLACEMENT AS PROVIDED HEREIN. Service must be provided by a Midea designated service company. This limited warranty is valid only in the 50 States of the United States or Canada and applies only when the major appliance is used in the country in which it was purchased. This limited warranty is effective from the date of original consumer purchase. Proof of original purchase date is required to obtain service under this limited warranty.

WHAT IS NOT COVERED

1. Failure caused by damage to the unit while in your possession (other than damage caused by defect or malfunction), by its improper installation, or by unreasonable use of the product, including without limitation, failure to provide reasonable and necessary maintenance or to follow the written Installation and Instruction Manual.
2. Products purchased "as-is" or refurbished are not covered by this warranty.
3. Food loss caused by refrigerator or freezer failure.
4. Service calls to repair or replace consumables such as water filters, light bulbs, air filters etc., or handles, knobs and other cosmetic parts.
5. Product that has been transferred from its original owner.
6. Interior or exterior rust on the unit.
7. Damages caused by services performed by persons other than authorized Midea servicers; use of parts other than Midea replacement parts; obtained from persons other than such Midea customer service; or external causes such as abuse, misuse, inadequate power supply or acts of God.
8. Service calls resulting from improper installation of your product.
9. Service calls to instruct you on the use of your product.
10. Surcharges including, but not limited to, any after hour, weekend, or holiday service calls, tolls, ferry trip charges, or mileage expense for service calls to remote areas, including the state of Alaska.
11. If the unit is put to commercial, business, rental, or other use or application other than for consumer use, we make no warranties, express or implied, including but not limited to, any implied warranty of merchantability or fitness for particular use or purpose.
12. Product that has been removed outside the USA or Canada.
13. Products without original serial numbers or products that have serial numbers which have been altered or cannot be readily determined.

NOTE: Some states do not allow the exclusion or limitation of incidental or consequential damages. So this limitation or exclusion may not apply to you.

The cost of repair or replacement under these excluded circumstances shall be borne by the customer.

DISCLAIMER OF IMPLIED WARRANTIES

IMPLIED WARRANTIES, INCLUDING ANY IMPLIED WARRANTY OF MERCHANTABILITY OR IMPLIED WARRANTY OF FITNESS FOR A PARTICULAR PURPOSE, ARE LIMITED TO ONE YEAR OR THE SHORTEST PERIOD ALLOWED BY LAW. Some states and provinces do not allow limitations on the duration of implied warranties of merchantability or fitness, so this limitation may not apply to you. This warranty gives you specific legal rights, and you also may have other rights that vary from state to state or province to province.

DISCLAIMER OF REPRESENTATIONS OUTSIDE OF WARRANTY

Midea makes no representations about the quality, durability, or need for service or repair of this major appliance other than the representations contained in this warranty. If you want a longer or more comprehensive warranty than the limited warranty that comes with this major appliance, you should ask Midea or your retailer about buying an extended warranty.

LIMITATION OF REMEDIES; EXCLUSION OF INCIDENTAL AND CONSEQUENTIAL DAMAGES

YOUR SOLE AND EXCLUSIVE REMEDY UNDER THIS LIMITED WARRANTY SHALL BE PRODUCT REPAIR AS PROVIDED HEREIN. MIDEA SHALL NOT BE LIABLE FOR INCIDENTAL OR CONSEQUENTIAL DAMAGES. Some states and provinces do not allow the exclusion or limitation of incidental or consequential damages, so these limitations and exclusions may not apply to you. This warranty gives you specific legal rights, and you also may have other rights that vary from state to state or province to province.

05/19



Réfrigérateur à congélateur inférieur

Alimentation en électricité : 115 V
Fréquence : 60Hz
Capacité : 18.7 pi³

Remarque :

Avant d'utiliser ce produit, veuillez lire le présent manuel attentivement et le conserver pour consultation ultérieure. Communiquer avec le service à la clientèle de Midea au 1-866-646-4332 ou consulter la page midea.com/us/ support pour obtenir de l'aide.

(Les illustrations sont fournies à titre de référence seulement et peuvent ne pas représenter avec exactitude tous les modèles présentés dans ce manuel.)

version A - 09 - 2020

GUIDE DE L'UTILISATEUR



**Extension gratuite
de 3 mois** de la période
de garantie limitée initiale!*
Envoyez simplement une
photo de votre preuve d'achat
par message texte au :

1-866-646-4332

*L'extension de garantie porte sur
les trois mois suivant immédiatement
la fin de la période de garantie
initiale du produit.

NUMÉRO DE MODÈLE MRB19B7AWW
MRB19B7AST
www.midea.com

Cher utilisateur

Merci de laisser Midea vous aider à « vous sentir comme chez vous ». Ce manuel fait partie de notre engagement envers v faction. Veuillez lire le présent manuel attentivement avant d'utiliser le produit et le conserver dans un endroit pratique pour consultation ultérieure.

Pour nous aider à mieux vous servir, veuillez envisager d'enregistrer votre produit en utilisant notre application pratique MSmartlife de Midea, en consultant la page <http://www.midea.com>, ou en envoyant une photo de votre preuve d'achat par message texte au **1-866-646-4332**.

En utilisant l'option de texte, vous obtiendrez une prolongation de garantie supplémentaire de trois mois immédiatement après l'achèvement de la garantie originale du produit.

SÉCURITÉ DU RÉFRIGÉRATEUR	3
EXIGENCES DE FONCTIONNEMENT	6
Exigences en Matière D'emplacement	6
Exigences électriques	8
COMPOSANTES ET CARACTÉRISTIQUES	9
INSTALLATION	10
Déballage	10
Déplacez à sa destination finale	10
Mettez le réfrigérateur de niveau	11
Inverser l'ouverture de la porte	11
Installation d'une machine à glaçons en option	14
AVANT L'UTILISATION	15
Période d'attente	15
Nettoyage	15
UTILISATION DU RÉFRIGÉRATEUR	16
Généralités	16
Commandes	17
ENTRETIEN DU RÉFRIGÉRATEUR	18
Nettoyage	18
Déplacement	19
Emplacement	19

DÉPANNAGE	20
Généralités	20
Codes d'erreur	22
GARANTIE	23

SÉCURITÉ DU RÉFRIGÉRATEUR

VOTRE SÉCURITÉ PERSONNELLE ET CELLE DES AUTRES PERSONNES SONT D'UNE IMPORTANCE CAPITALE.

Pour éviter toutes blessures de l'utilisateur ou d'autres personnes et tous dommages matériels, il est impératif de suivre les instructions dans le présent guide. Une utilisation incorrecte de l'appareil en raison du non-respect des instructions peut causer des blessures ou des dommages, et même la mort.

Les indications suivantes illustrent le niveau de risque.



AVERTISSEMENT

Ce symbole signale la possibilité de mort ou de blessure grave.



ATTENTION

Ce symbole signale la possibilité de blessure ou de dommages matériels.



AVERTISSEMENT

Ce symbole signale la possibilité d'une tension dangereuse constituant un risque de choc électrique susceptible d'entraîner la mort ou une blessure grave.

CONSIGNES DE SÉCURITÉ IMPORTANTES

AVERTISSEMENT

SÉCURITÉ EN MATIÈRE D'ÉLECTROMÉNAGERS

- Lisez tous les avertissements en matière de sécurité, les directives et les spécifications fournies avec cet appareil. Le défaut de lire toutes les directives pourrait entraîner une décharge électrique, un incendie et/ou une blessure grave.
- Conservez tous les avertissements et les directives pour référence future.

SÉCURITÉ ÉLECTRIQUE

- Branchez dans une prise à 3 fiches mise à la terre.
- Ne retirez pas la fiche de mise à la terre.
- N'utilisez pas d'adaptateur.
- Débranchez le cordon d'alimentation en tenant la prise, jamais en tirant sur le cordon.
- NE JAMAIS activer ou désactiver l'appareil en branchant ou en débranchant le cordon d'alimentation.
- NE JAMAIS utiliser de rallonge.
- Débranchez le réfrigérateur avant de le nettoyer ou de le dégivrer.

Exigences de mise à la masse

- Ce réfrigérateur doit être mis à la masse. Ce réfrigérateur est doté d'une fiche de mise à la masse. La fiche doit être insérée dans une prise qui a été installée et mise à la masse de façon appropriée.
- L'utilisation inappropriée de la fiche de mise à la masse peut provoquer une décharge électrique. Consultez un électricien certifié ou un préposé à l'entretien si vous ne comprenez pas les directives de mise à la masse ou si vous croyez que le réfrigérateur ne fait pas l'objet d'une mise à la masse appropriée.

SÉCURITÉ DE L'EMPLACEMENT

- Ce réfrigérateur a été conçu pour une utilisation résidentielle ou l'équivalent.
- Installez-le en respectant les consignes du fabricant.
- Le réfrigérateur ne doit pas être encastré dans un endroit restreignant. Il est conçu pour se retrouver à aire ouverte seulement. **AVERTISSEMENT** — Gardez les ouvertures de ventilation du réfrigérateur à l'écart des obstructions.
- NE JAMAIS installer près d'une source de chaleur comme une plinthe, un radiateur, un poêle ou autre appareil de cuisson ou en plein soleil.
- NE JAMAIS remiser ou utiliser d'essence ou autre liquides inflammables près de ce réfrigérateur.

SÉCURITÉ – UTILISATION ET SOINS

- Fluide frigorigène inflammable utilisé. Suivez attentivement les directives de manutention. Risque d'incendie ou d'explosion si le tube de fluide frigorigène est perforé.
- Fluide frigorigène inflammable utilisé. N'utilisez pas de dispositif mécanique pour dégivrer le congélateur. Ne perforez pas le tube du fluide frigorigène.

- Cet appareil n'est pas destiné à des personnes (y compris des enfants) à capacités réduites, tant physiques que sensorielles ou mentales, ou qui n'ont aucune expérience ou connaissance, à moins d'être sous la supervision ou d'avoir obtenu des directives d'une personne responsable et qualifiée.
- Gardez hors de la portée des enfants.
- Les enfants doivent faire l'objet d'une supervision afin de s'assurer qu'ils ne tentent PAS de jouer avec l'appareil.
- NE JAMAIS toucher à l'intérieur du congélateur alors que vos mains sont mouillées. Ceci pourrait provoquer une engelure.
- Nettoyez uniquement avec un linge humide. Utilisez un nettoyeur non inflammable.


SÉCURITÉ – ENTRETIEN

- Débranchez l'appareil avant d'effectuer l'entretien.
- Fluide frigorigène inflammable utilisé. Doit être réparé uniquement par une personne formée. Ne percez PAS le tube du fluide frigorigène.
- Faites appel à une personne d'entretien qualifiée. Ne réparez pas ou ne remplacez pas de pièces sur cet appareil à moins qu'il ne le soit recommandé dans le manuel. L'appareil doit faire l'objet d'un entretien s'il a été endommagé au niveau du cordon d'alimentation ou de la fiche, si le fluide s'est échappé ou si des objets sont tombés dans l'appareil, ou encore si ce dernier a été exposé à la pluie ou à l'humidité, ne fonctionne pas normalement ou a fait l'objet d'une chute.
- Si le cordon d'alimentation est endommagé, il doit être remplacé par le fabricant, l'agent responsable de son entretien, ou toute autre personne qualifiée, afin d'éviter tout danger.
- Si un composant est endommagé, il doit être remplacé par le fabricant, l'agent responsable de son entretien, ou toute autre personne qualifiée, afin d'éviter tout danger.
- Remplacez toutes les pièces et les panneaux avant de faire fonctionner.

CONSERVER CES CONSIGNES

CET APPAREIL EST UNIQUEMENT DESTINÉ À UN USAGE DOMESTIQUE

Avertissement - Proposition 65 de l'État de Californie:

 **AVERTISSEMENT** : Cancer et effets nocifs sur la reproduction
-www.P65Warnings.ca.gov.

MISE AU REBUT APPROPRIÉE

AVERTISSEMENT

Dangers de suffocation

Avant de mettre au rebut votre ancien réfrigérateur :

- Déposez la porte ou le couvercle de sorte que les enfants ne puissent se cacher ou s'emprisonner dans l'ancien appareil.
- Laissez les étagères en place, faisant en sorte que les enfants ne puissent y pénétrer.
- Le défaut de respecter ces directives peut entraîner la mort ou des dommages au cerveau.

IMPORTANT : Gaz et fluide frigorigène inflammables utilisés. Il en revient au consommateur de respecter les règlements fédéraux et municipaux lors de la mise au rebut de ce produit. Les fluides frigorigènes doivent être évacués par un technicien certifié et agréé de l'EPA en matière de fluide frigorigène, selon les procédures établies.

EXIGENCES DE FONCTIONNEMENT

EXIGENCES EN MATIÈRE D'EMPLACEMENT

AVERTISSEMENT

Danger d'explosion et d'incendie

- Gardez les matériaux et vapeurs inflammables, comme de l'essence, à l'écart de cet appareil.
- Le non-respect de cette directive peut entraîner la mort, une explosion ou un incendie.

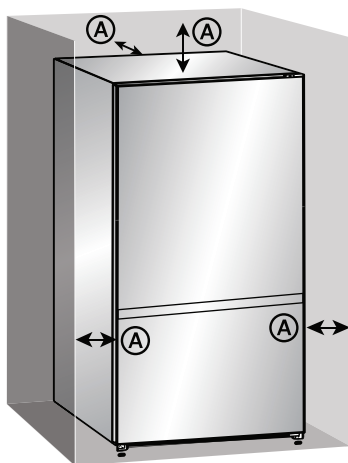
Le réfrigérateur est conçu pour se retrouver à aire ouverte et ne doit pas être encastré.

- Placez votre appareil sur un plancher de niveau, capable de supporter le réfrigérateur lorsqu'il est rempli.
- Placez votre réfrigérateur près d'une fiche électrique décrite dans les directives. Consultez "Exigences électriques."

- Placez le réfrigérateur dans un endroit à l'abri de la lumière directe du soleil, car il peut affecter le revêtement acrylique et les sources de chaleur peuvent augmenter la consommation. Pour garantir des performances optimales, installez-le dans des zones à température entre 41 °F (5 °C) et 109 °F (42,8 °C).

REMARQUES :

- Le plein soleil peut endommager le revêtement en acrylique et les sources de chaleur peuvent augmenter la consommation électrique.
- Les températures extrêmement froides peuvent également affecter le fonctionnement du réfrigérateur.
- Évitez de placer le réfrigérateur dans un endroit à humidité élevée.
- On doit y retrouver une circulation d'air adéquate pour assurer un fonctionnement optimal. Respectez le dégagement recommandé pour assurer une circulation d'air appropriée.

DÉGAGEMENT RECOMMANDÉ

Ⓐ Dégagement de 3 po (7,6 cm) à la partie supérieure, arrière et sur les deux côtés du réfrigérateur

REMARQUE : Si vous placez le réfrigérateur près d'un mur fixe, laissez un espace suffisant du côté des charnières pour permettre l'ouverture de la porte.

EXIGENCES ÉLECTRIQUES

AVERTISSEMENT

Risque de choc électrique

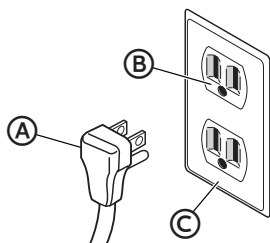
- Branchez dans une prise à 3 fiches mise à la masse.
- Ne retirez pas la fiche de mise à la masse sur le cordon d'alimentation.
- N'utilisez pas d'adaptateur.
- N'utilisez pas de rallonge.
- Le non-respect de cette directive peut entraîner la mort, un incendie ou une décharge électrique.

IMPORTANT : Utilisez un fusible 115 V, 60 Hz, c.a., 15 A comme source électrique mise à la masse.

- Utilisez une prise électrique compatible avec une fiche de mise à la masse.

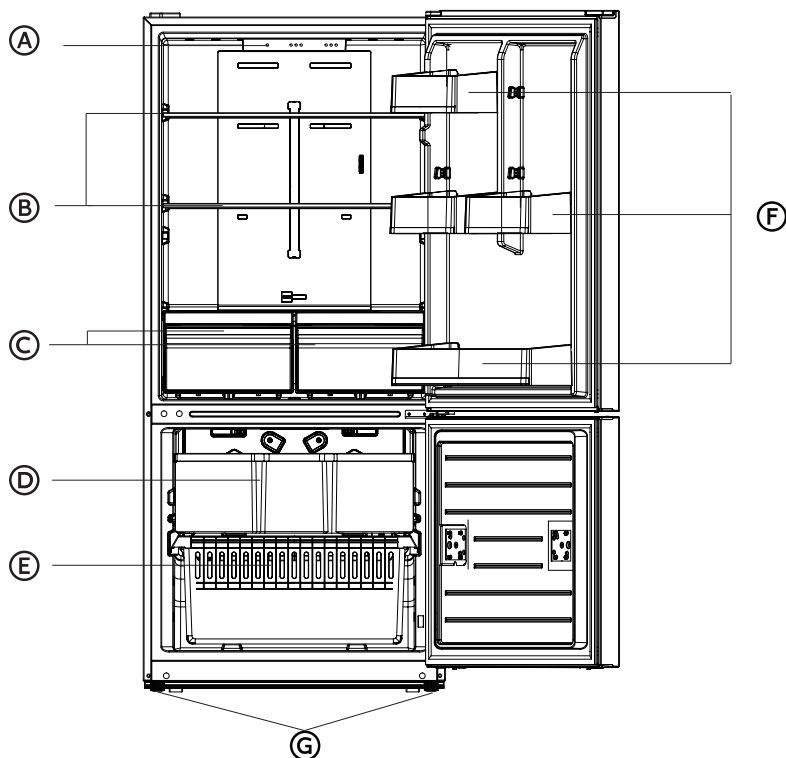
REMARQUE : Le cordon d'alimentation est doté d'une prise à 3 fiches (mise à la masse) qui est compatible à toute prise électrique standard à 3 fiches.

- Nous recommandons que le réfrigérateur soit branché dans un circuit électrique réservé **UNIQUEMENT** pour cet appareil.
- Utilisez une prise électrique qui ne peut être fermée par un interrupteur ou une chaînette à tirer.
- **NE JAMAIS** utiliser de rallonge.



- (A) Prise à 3 fiches
- (B) Prise de charge à 3 fiches
- (C) Couverture de boîtier de prise de charge

COMPOSANTES ET CARACTÉRISTIQUES



- (A)** Panneau de commande d'éclairage et de température à DEL

(B) Étagère en verre

(C) Boîte de fruits et légumes

(D) Tiroir supérieur du congélateur
- (E)** Tiroir sous le congélateur

(F) Plateau de porte

(G) Pieds de réglage (2 - avant en bas)
Roues (2 - arrière en bas)

SPÉCIFICATIONS

Dimensions (LxPxH) :	29½ po x 30¼ po x 66¾ po (75 x 78,5 x 169,2 cm)
Poids	84 kg (185 lb)
Exigences en matière d'alimentation	115 V ~ 60 Hz
Longueur de cordon d'alimentation	170 cm (66,9 po)

INSTALLATION

DÉBALLAGE

AVERTISSEMENT

Incendie ou Risque d'explosion

- Ne percez pas le tube du fluide frigorigène.
- Suivez attentivement les directives de manutention.
- Fluide frigorigène inflammable utilisé.
- Le non-respect de cette directive peut entraîner la mort, une explosion ou un incendie.

IMPORTANT : Retirez TOUT le matériel d'emballage extérieur et intérieur, y compris l'emballage en mousse situé entre le condenseur extérieur et le réfrigérateur.

DÉPLACEZ À SA DESTINATION FINALE

AVERTISSEMENT

Incendie ou Risque d'explosion

- Ne percez pas le tube du fluide frigorigène.
- Suivez attentivement les directives de manutention.
- Fluide frigorigène inflammable utilisé.
- Le non-respect de cette directive peut entraîner la mort, une explosion ou un incendie.

IMPORTANT :

- Si le réfrigérateur se trouvait à l'horizontale pendant une certaine période, attendez 24 heures avant de brancher le réfrigérateur pour laisser le fluide frigorigène reprendre sa place.
- En déplaçant le réfrigérateur, n'inclinez PAS ce dernier plus de 45° de la position verticale.

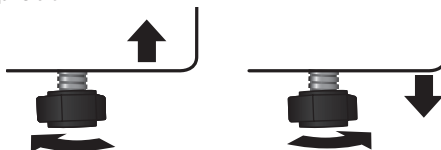
REMARQUE : Ce faisant, vous pourriez endommager le compresseur et le système scellé.

RÉFRIGÉRATEUR AU NIVEAU

IMPORTANT : Mettre le réfrigérateur à niveau pour qu'il fonctionne correctement et pour éviter les problèmes de refroidissement, de gel et d'humidité qui peuvent survenir lorsque la porte ne se ferme pas correctement.

1. Déplacer le réfrigérateur à son emplacement final. Voir « Déplacer à l'emplacement final ».
2. Placer un niveau de charpentier sur le dessus de l'armoire du réfrigérateur.
3. Ajuster les deux pieds de réglage (un pied situé à chacun des deux coins avant de l'armoire du réfrigérateur) jusqu'à ce que le réfrigérateur soit de niveau.





REMARQUE : Les pieds de réglage sont plus faciles à ajuster si quelqu'un pousse contre la partie supérieure avant du réfrigérateur pour enlever un peu de poids des pieds.








Pour lever - Tourner les pieds de réglage dans le sens horaire.

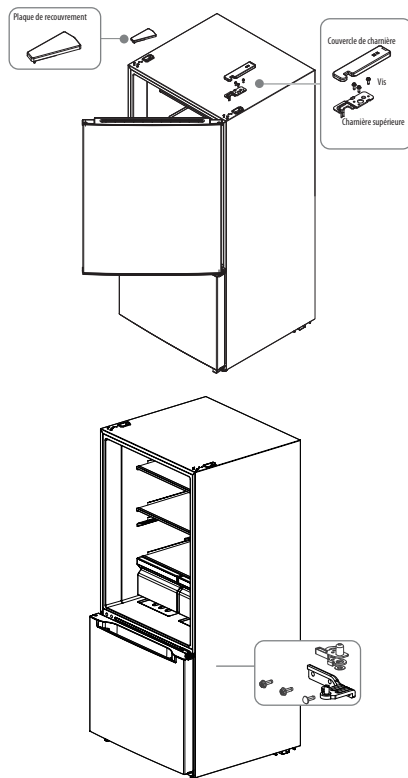
Pour abaisser - Tourner les pieds de réglage dans le sens antihoraire.

DÉPLACER LA PORTE BASCULANTE

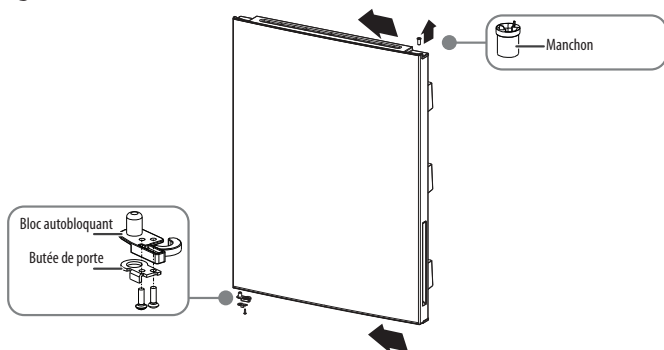
Liste des outils à fournir par l'utilisateur			
	Tournevis cruciforme		Couteau à mastic Tournevis à tête plate
	Douille de 5/16 po et cliquet		Ruban de masquage

Pièces comprises avec la trousse de charnières		
 Couvercle de charnière supérieure gauche (1)	 Butée d'ouverture de la porte gauche (1)	 Bloc autobloquant de la porte gauche (1)
 Charnière supérieure de la porte gauche (1)	 Capuchons de trou supplémentaires (2)	

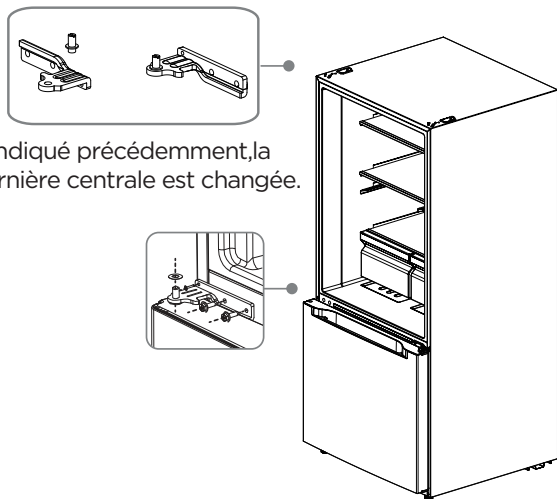
1. S'assurer que le réfrigérateur est débranché et vide.
2. Faire levier sur le couvercle gauche et le couvercle de charnière supérieur droit du haut du réfrigérateur.
3. Retirer les trois vis qui fixent la charnière supérieure au réfrigérateur, puis retirer la charnière. Conserver les vis pour les réutiliser.
4. Retirer la porte du compartiment du réfrigérateur sur l'armoire.



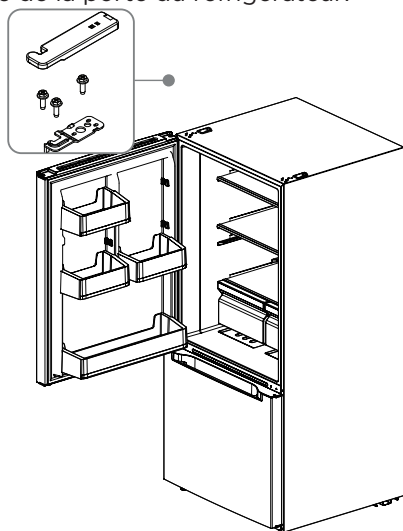
5. Retirer les trois vis qui fixent la charnière centrale au réfrigérateur, puis retirer la charnière centrale. Conserver les vis pour les réutiliser.
6. Retirer les manchons et les capuchons des trous de la porte du réfrigérateur, puis les installer du côté opposé de la porte.
7. Prendre le bloc autobloquant et la butée du côté gauche du sac d'accessoires et les installer dans le coin inférieur gauche de la porte du réfrigérateur, comme illustré ci-dessous.



- Retirer la charnière centrale, retirer la tige de la charnière centrale à l'aide d'un tournevis plat, installer la tige de charnière du côté opposé de la charnière et installer la charnière à gauche de la boîte.



- Insérer la butée de porte sur le côté inférieur gauche de la porte du réfrigérateur sur l'axe de charnière que vous avez installé dans le côté central gauche du réfrigérateur.
- Prendre la charnière supérieure du côté gauche du sac d'accessoires et l'installer sur le côté supérieur gauche du réfrigérateur avec les vis que vous avez retirées précédemment et la goupille de charnière dans le manchon de porte de la porte du réfrigérateur.



11. Installer le couvercle de charnière sur le côté gauche du réfrigérateur et le couvercle de trou sur le côté droit.

(L'image ci-dessus n'est fournie qu'à titre de référence. La configuration réelle peut varier.)

INSTALLATION D'UNE MACHINE À GLAÇONS EN OPTION

Le réfrigérateur est prêt pour l'installation de la machine à glaçons. Ce réfrigérateur est compatible avec la machine à glaçons Midea IM1900MD. Veuillez consulter le manuel d'instructions d'installation de la machine à glaçons individuelle.



AVERTISSEMENT

Débrancher le réfrigérateur. Pour éliminer le risque de décharge électrique pendant l'installation, vous devez débrancher le réfrigérateur de sa prise électrique.

AVANT L'UTILISATION

PÉRIODE D'ATTENTE

- Avant de brancher le réfrigérateur dans la prise électrique à 3 fiches mises à la masse, laissez-le au repos dans sa position verticale pendant environ 2 heures.

REMARQUE : Ceci diminue les risques de défectuosité dans le système de refroidissement dans le cas d'une manutention inappropriée lors du transport.

NETTOYAGE

1. Lavez l'intérieur du réfrigérateur à l'aide d'un linge doux et humide et d'une solution de bicarbonate de soude (2 c. à table de bicarbonate de soude dans 1 pinte d'eau tiède).
2. Utilisez un linge doux pour essorer toutes les surfaces.

UTILISATION DU RÉFRIGÉRATEUR

GÉNÉRALITÉS

- La durée de vie des aliments surgelés peut varier et la durée recommandée ne doit pas être dépassée.



AVERTISSEMENT

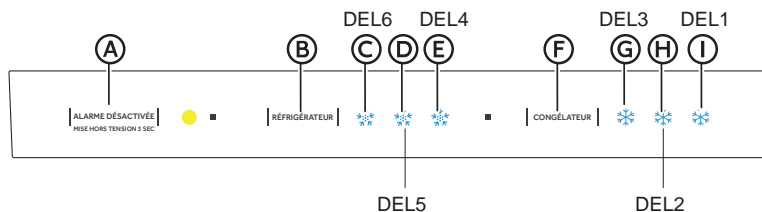
Risque de choc électrique

- Branchez dans une prise à 3 fiches mise à la masse.
 - Ne retirez pas la fiche de mise à la masse sur le cordon d'alimentation.
 - N'utilisez pas d'adaptateur.
 - N'utilisez pas de rallonge.
 - Le non-respect de cette directive peut entraîner la mort, un incendie ou une décharge électrique.
1. Branchez votre réfrigérateur. Attendez 30 minutes, puis ouvrez la porte du réfrigérateur pour voir si ce dernier fonctionne de façon appropriée.
 2. Placez les aliments surgelés dans le réfrigérateur le plus rapidement possible après leur achat. Si on retrouve des directives sur l'emballage, respectez-les attentivement, surtout quant à la durée de conservation.

CONSEILS DE CONSERVATION D'ÉNERGIE

- Laissez les aliments chauds se refroidir à la température de la pièce avant de les placer dans le réfrigérateur. Les aliments mettant du temps à surgeler peuvent se dégrader ou se gâter.
- La surcharge du réfrigérateur fait en sorte que le compresseur fonctionne plus longtemps.
- Emballez les aliments de façon appropriée et essuyez bien les récipients avant de les mettre dans le réfrigérateur. Ceci réduit l'accumulation de givre dans le réfrigérateur.
- Ne placez pas de papier aluminium, de papier ciré ou d'essuie-tout sur les étagères. Ces derniers nuisent à la circulation d'air froid, diminuant le rendement du réfrigérateur.
- Organisez et étiquetez vos aliments afin de diminuer les occasions d'ouverture de porte et la recherche sur une période prolongée. Sortez le plus d'articles possible, puis refermez la porte aussitôt.
- N'ajoutez PAS en même temps de grandes quantités d'aliments non surgelés dans le réfrigérateur. Ceci affectera l'efficacité de refroidissement du réfrigérateur.

CONTRÔLES



- Ⓐ Bouton Alarme/Mise hors tension/Mise sous tension
- Ⓑ Réglage du réfrigérateur
- Ⓒ Voyant de refroidissement DEL 6 du réfrigérateur
- Ⓓ Voyant DEL 5 du réfrigérateur
- Ⓔ Voyant DEL 4 du réglage le plus froid du réfrigérateur
- Ⓕ Réglage du congélateur
- Ⓖ Voyant DEL 3 du réglage froid du congélateur
- Ⓗ Voyant DEL 2 du congélateur
- Ⓘ Voyant DEL 1 du réglage le plus froid du congélateur

ÉCRAN

Une fois la mise sous tension initiale effectuée, l'écran s'affiche complètement pendant trois secondes.

Le réglage par défaut du réfrigérateur est moyen et les voyants DEL 2 et DEL 5 s'allumeront.

Il s'agit d'un écran de fonctionnement normal.

En cas de panne, le voyant DEL approprié clignotera en séquence.

S'il n'y a pas de panne, le réglage de température actuel du réfrigérateur s'affichera.

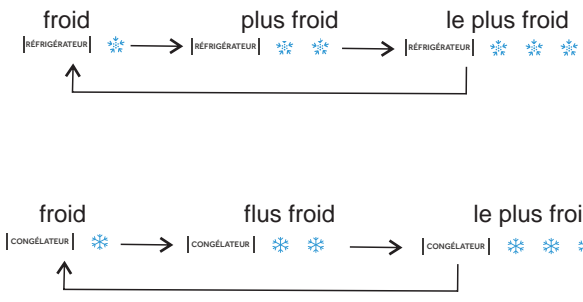
RÉGLAGE DE LA TEMPÉRATURE

Chaque fois que le bouton de réglage de température [RÉFRIGÉRATEUR] [CONGÉLATEUR] est enfoncé, le réglage de température est modifié d'un cran.

Une fois le réglage de la température terminé, le réfrigérateur fonctionnera selon la valeur définie après 25 secondes.

De gauche à droite, la température est plus basse.

Voici l'ordre des réglages de la température :



MODE VEILLE

Pour passer en mode veille, appuyer sur le réglage [ALARME DÉSACTIVÉE] pendant trois secondes lorsque le réfrigérateur est en marche. En mode veille, le compresseur ne fonctionne pas et le voyant lumineux de veille s'allume. Pour reprendre le fonctionnement normal, appuyer brièvement sur [ALARME DÉSACTIVÉE].

ENTRETIEN DU RÉFRIGÉRATEUR

Votre réfrigérateur est conçu pour une utilisation soutenue et n'exige qu'un nettoyage et un entretien minimal. Pour assurer le bon fonctionnement de votre réfrigérateur, libre de toute odeur, nous recommandons un nettoyage régulier.

NETTOYAGE

AVERTISSEMENT

Risque de choc électrique

- Débranchez votre appareil ou coupez l'alimentation avant de procéder au nettoyage.
- Le non-respect de cette directive peut entraîner la mort, une décharge électrique ou des blessures corporelles.



AVERTISSEMENT

Risque d'explosion

- Utilisez un nettoyant non inflammable.
- Le non-respect de cette directive peut entraîner la mort, une explosion ou un incendie.

IMPORTANT : Pour empêcher d'endommager le revêtement, n'utilisez PAS d'essence, de benzène, de diluant ou autre solvant, et n'utilisez PAS de nettoyants abrasifs.

1. Débranchez le réfrigérateur de la prise électrique.
2. Retirez tous les aliments.
3. Retirez et lavez toutes les étagères avec un détergent doux.
4. Lavez l'intérieur du réfrigérateur à l'aide d'un linge doux et humide et d'une solution de bicarbonate de soude (2 c. à table de bicarbonate de soude dans 1 pinte d'eau tiède).
5. Nettoyez le joint d'étanchéité autour de la porte. Essuyez délicatement le joint à l'aide d'un linge humide doux et d'une solution de détergent doux.

REMARQUE : Les joints doivent être propres et flexibles pour assurer une bonne étanchéité.

6. Utilisez un linge doux pour essorer toutes les surfaces.
7. Branchez de nouveau l'appareil.

DÉPLACEMENT

IMPORTANT : En déplaçant votre réfrigérateur, n'inclinez PAS ce dernier plus de 45° de la position verticale.

1. Débranchez le réfrigérateur de la prise électrique.
2. Retirez tous les aliments.
3. Fixez du ruban sur tous les articles amovibles à l'intérieur du réfrigérateur.
4. Fixez du ruban sur la porte.

EMPLACEMENT

IMPORTANT : Ne placez pas le réfrigérateur dans un endroit accessible aux enfants.

1. Débranchez le réfrigérateur de la prise électrique.
2. Retirez tous les aliments.
3. Nettoyez le réfrigérateur.
4. Laissez la porte entrouverte pour éviter la formation de condensation, de moisissure ou d'odeurs.

DÉPANNAGE

IMPORTANT : NE TENTEZ PAS de réparer votre réfrigérateur vous-même. Ce faisant, vous annulez votre garantie.

GÉNÉRALITÉS

PROBLÈME	CAUSE POSSIBLE	SOLUTION
Le réfrigérateur ne fonctionne pas	Le réfrigérateur est débranché.	Assurez-vous que le cordon d'alimentation soit bien inséré dans la prise électrique.
	Le fusible dans le circuit est brûlé ou le disjoncteur est déclenché.	Vérifiez la boîte à fusible/ le disjoncteur et remplacez le fusible ou rétablissez le disjoncteur.
	Panne électrique.	Lors d'une panne électrique, le réfrigérateur se désactive. Attendez le retour du courant.
La porte du réfrigérateur ne se referme pas complètement.	Des emballages obstruent la fermeture de la porte.	Déplacez ou retirez des aliments.
	Les joints d'étanchéité de la porte sont souillés.	Nettoyez les joints d'étanchéité de la porte.
	Le réfrigérateur n'est peut-être pas de niveau.	Mettez le réfrigérateur de niveau.

Sécurité de réfrigérateur

Exigences en Matière de Fonctionnement

Pièces et Caractéristiques

Installation

Avant l'utilisation

Utilisation du réfrigérateur

Entretien du réfrigérateur

Dépannage

PROBLÈME	CAUSE POSSIBLE	SOLUTION
Les aliments dans le réfrigérateur ne sont pas froids	La porte a été ouverte trop souvent ou est mal fermée.	Assurez-vous que la porte soit fermée de façon appropriée.
	Une grande quantité d'aliments vient d'être ajoutée au réfrigérateur.	Allouez assez de temps pour permettre à ces nouveaux aliments de se refroidir, puis vérifiez de nouveau.
	La porte n'est pas fermée complètement.	Vérifiez le joint d'étanchéité de la porte et la disposition des aliments, et assurez-vous que la porte se referme correctement.
	Le réfrigérateur a été débranché sur une période prolongée.	Allouez 4 heures avant d'ajouter des aliments pour permettre au réfrigérateur de se refroidir.
Le réfrigérateur émet des bruits ou des vibrations inhabituels	Le réglage de la température est trop chaud.	Réglez la température à un niveau plus froid.
	Le réfrigérateur n'est peut-être pas de niveau.	Réglez les pieds de réglage situés à chaque coin avant du réfrigérateur, jusqu'à ce qu'il soit de niveau.
	Le réfrigérateur touche à un mur.	Éloignez le réfrigérateur du mur.
	Les pièces de métal font l'objet d'une expansion et d'une contraction.	Ceci est normal.
L'humidité s'accumule à l'intérieur du réfrigérateur	Le fluide frigorigène circule dans tout le système.	Ceci est normal.
	La porte a été ouverte trop souvent ou est mal fermée.	Assurez-vous que la porte soit fermée de façon appropriée.
L'humidité s'accumule à l'intérieur du réfrigérateur	Le réfrigérateur est situé dans une zone humide.	Déplacez le réfrigérateur dans un endroit plus sec.
	La température est élevée et humide.	Ceci est normal.

PROBLÈME	CAUSE POSSIBLE	SOLUTION
Le compresseur s'active et se désactive fréquemment	La température de la pièce est plus élevée qu'en temps normal.	Ceci est normal.
	Une grande quantité d'aliments vient d'être ajoutée au réfrigérateur.	Allouez assez de temps pour permettre à ces nouveaux aliments de se refroidir, puis vérifiez de nouveau.
	La porte n'est pas fermée correctement ou a été ouverte trop souvent.	Vérifiez le joint d'étanchéité de la porte et la disposition des aliments, et assurez-vous que la porte se referme correctement.
	Le réfrigérateur a été débranché sur une période prolongée.	Allouez 4 heures avant d'ajouter des aliments pour permettre au réfrigérateur de se refroidir.
	La température n'a pas été réglée correctement.	Réglez la température au niveau approprié.
Le réfrigérateur dégage une odeur	Le réfrigérateur a besoin d'être nettoyé.	Nettoyez le réfrigérateur. Consultez "Nettoyage."
	Les aliments mal emballés dégagent une odeur.	Emballez les aliments de façon adéquate avant de les placer dans le réfrigérateur.

CODES D'ERREUR

Code d'erreur	Description de l'erreur
Voyant DEL 1 et voyant DEL 2	Panne du capteur de température du réfrigérateur
Voyant DEL 1 et voyant DEL 5	Panne du capteur de température du congélateur
Voyant DEL 1 et voyant DEL 3	Panne du capteur de dégivrage du congélateur
Voyant DEL 2 et voyant DEL 4	Panne de la communication
Voyant DEL 1 et voyant DEL 4 Ambiante	Panne du capteur de température ambiante

GARANTIE LIMITÉE RÉFRIGÉRATEUR MIDEA

ATTACHEZ VOTRE REÇU AUX PRÉSENTES. UNE PREUVE D'ACHAT EST REQUISE POUR OBTENIR UN SERVICE TECHNIQUE COUVERT PAR LA GARANTIE.

Veuillez disposer des renseignements suivants lorsque vous appelez le Centre des services à la clientèle :

- Vos nom, adresse et numéro de téléphone
- Le numéro de modèle et le numéro de série de votre appareil
- Une description claire et détaillée du problème
- Une preuve d'achat, notamment le nom et l'adresse du concessionnaire ou du détaillant

SI VOUS AVEZ BESOIN D'UN SERVICE TECHNIQUE :

1. Avant de communiquer avec nous pour organiser un service technique, déterminez si votre produit doit être réparé. Quelques problèmes peuvent être résolus sans service technique. Prenez quelques minutes pour revoir la section du Diagnostic de pannes du guide de l'utilisateur, ou consultez <http://us.Midea.com/support>.
2. Tout service technique couvert par la garantie est assuré exclusivement par nos prestataires de service technique Midea autorisés, aux États-Unis et au Canada.

Services à la clientèle Midea

Aux États-Unis ou au Canada, appelez le 1-866-646-4332.

Si vous résidez hors des 50 États des États-Unis ou hors du Canada, communiquez avec votre concessionnaire Midea autorisé pour déterminer si une autre garantie s'applique.

1 AN PIÈCES ET SERVICE

CE QUE LA GARANTIE COUVRE

GARANTIE LIMITÉE POUR LA PREMIÈRE ANNÉE (PIÈCES ET MAIN-D'ŒUVRE)

Midea réparera ou remplacera, sans frais, toute défaillance provoquée par une fabrication ou des matériaux défectueux, pendant un an à compter de la date d'achat. Pour de plus amples renseignements sur la couverture de la garantie et les réparations sous garantie, visitez www.midea.com ou composez **1 866 646-4332**.

Le consommateur sera responsable des :

- Coûts associés aux diagnostics, à la dépose, au transport et à la réinstallation suite à l'entretien.
- Coûts d'entretien résultant des points figurant sous **RESPONSABILITÉS NORMALES DU CONSOMMATEUR****

RESPONSABILITÉS NORMALES DU CONSOMMATEUR**

Cette garantie s'applique uniquement aux produits faisant l'objet d'une utilisation résidentielle normale, et le consommateur est responsable des points suivants :

1. Utilisation appropriée de l'appareil, respectant les directives fournies avec le produit.
2. Entretien périodique et nettoyage requis pour maintenir l'appareil en bon état de fonctionnement.
3. Installation appropriée par un professionnel agréé, respectant les directives fournies avec l'appareil et les codes municipaux en matière de plomberie, électricité et/ou gaz.
4. Branchement approprié à une prise électrique mise à la masse, fournissant un courant suffisant; remplacement des fusibles brûlés; réparation des connexions desserrées ou des défauts au niveau des installations électriques.
5. Dépenses requises pour rendre l'appareil accessible pour l'entretien.
6. Dommages sur le revêtement suite à l'installation.

VOTRE REMÈDE UNIQUE ET EXCLUSIF EN VERTU DE LA PRÉSENTE GARANTIE LIMITÉE EST LA RÉPARATION OU LE REMPLACEMENT DU PRODUIT, COMME PRÉVU AUX PRÉSENTES. Le service technique doit être assuré par une entreprise d'entretien désignée par Midea. La garantie limitée est valide uniquement dans les 50 États des États-Unis ou au Canada et s'applique uniquement si l'appareil ménager est utilisé dans le pays où il a été acheté. La présente garantie limitée entre en vigueur à compter de la date de l'achat original de l'appareil ménager par le consommateur. Une preuve de la date de l'achat original doit être présentée pour obtenir un service technique en vertu de la présente garantie limitée.

CE QUE LA GARANTIE NE COUVRE PAS

1. Une défectuosité causée par un dommage survenu depuis que l'appareil est en votre possession (autre que les dommages causés par un défaut ou un mauvais fonctionnement), par une installation inadéquate, ou par une utilisation non raisonnable du produit, incluant et sans s'y limiter, le défaut d'assurer un entretien raisonnable et nécessaire ou de suivre les directives écrites et de lire le manuel d'instructions.
2. Les produits achetés "tels quels" ou les produits réusinés ne sont pas couverts par cette garantie.
3. La perte de nourriture suite à une défectuosité du réfrigérateur ou du congélateur.
4. Les visites d'entretien pour réparer ou remplacer les pièces consommables comme les filtres hydrauliques, les ampoules, les filtres pneumatiques, etc., ou les poignées, les boutons ou autres pièces cosmétiques.
5. Les produits ayant été transférés de leur propriétaire original.
6. La rouille à l'extérieur ou à l'intérieur de l'unité.
7. Les dommages causés par l'entretien effectué par une personne autre qu'un professionnel agréé Midea; l'utilisation de pièces autres que les pièces de rechange Midea ou obtenues par des personnes autres que le service à la clientèle Midea; les causes externes comme l'abus, la mauvaise utilisation, l'alimentation inadéquate ou tout événement de force majeure.
8. L'entretien résultant d'une installation inappropriée de votre produit.
9. La visite servant à vous enseigner l'utilisation de votre produit.
10. Les suppléments, incluant, mais sans s'y limiter, tout appel de service après les heures normales, les week-ends ou les jours fériés, les péages, les frais de transport, le kilométrage pour tout appel de service dans une région éloignée, y compris en Alaska.
11. Si cette unité est utilisée pour des raisons commerciales, locatives ou autre application qui n'est pas vouée à une utilisation résidentielle, nous ne formulons aucune garantie, explicite ou implicite de valeur marchande ou d'adéquation à un usage particulier.
12. Si le produit a été déplacé hors des États-Unis ou du Canada.
13. Si le produit n'affiche pas le numéro de série original ou si ce dernier a été altéré ou ne peut être facilement reconnu.

REMARQUE : Certains états n'acceptent pas l'exclusion ou la restriction des dommages indirects ou accessoires. Ainsi, cette exclusion ou restriction pourrait ne pas s'appliquer à vous.

Dans ces circonstances exclues, le coût des réparations ou du remplacement du produit sera assumé par le client.

DÉNÉGATION DE GARANTIES IMPLICITES

LES GARANTIES IMPLICITES, Y COMPRIS TOUTE GARANTIE IMPLICITE DE QUALITÉ MARCHANDE OU GARANTIE IMPLICITE D'APTITUDE À UN EMPLOI PARTICULIER, SONT LIMITÉES À UNE PÉRIODE D'UN AN OU À LA PÉRIODE LA PLUS COURTE PERMISE PAR LA LOI. Quelques états et provinces ne permettent pas l'imposition d'une limite à la durée des garanties implicites de qualité marchande ou d'aptitude à l'emploi et, par conséquent, il est possible que cette limitation ne vous concerne pas. La présente garantie vous confère certains droits légaux. Vous pouvez également jouir d'autres droits, lesquels varient d'un état à l'autre ou d'une province à l'autre.

DÉNÉGATION DE DÉCLARATIONS NE RELEVANT PAS DE LA GARANTIE

Midea ne fait aucune déclaration concernant la qualité ou la durabilité de cet appareil ménager, ni son besoin de service technique ou de réparation, à part les déclarations formulées dans la présente garantie. Si vous souhaitez une garantie plus longue ou plus complète que la garantie limitée qui accompagne cet appareil ménager, veuillez communiquer avec Midea ou votre détaillant au sujet de l'achat d'une prolongation de garantie.

LIMITATION DES REMÈDES; EXCLUSION DES DOMMAGES ACCESSOIRES ET DES DOMMAGES INDIRECTS

VOTRE REMÈDE UNIQUE ET EXCLUSIF EN VERTU DE LA PRÉSENTE GARANTIE LIMITÉE EST LA RÉPARATION DU PRODUIT PAR MIDEA, COMME PRÉVU AUX PRÉSENTES. MIDEA N'EST PAS RESPONSABLE DES DOMMAGES ACCESSOIRES ET INDIRECTS. Quelques états et provinces ne permettent pas l'exclusion ou la limitation de dommages accessoires ou indirects et, par conséquent, il est possible que ces limitations et ces exclusions ne vous concernent pas. La présente garantie vous confère certains droits légaux. Vous pouvez également jouir d'autres droits, lesquels varient d'un état à l'autre ou d'une province à l'autre.



Refrigerador con congelador inferior

Fuente de alimentación: 115 V
Frecuencia: 60Hz
Capacidad: 18.7 cu. ft.

Nota:

Antes de utilizar este producto, lea detenidamente este manual y guárdelo para consulta futura. Comuníquese con el Servicio al Cliente de Midea al 1-866-646-4332 o visite midea.com/nosotros/apoyo para obtener asistencia.

(Las imágenes son solo para referencia y pueden no representar con precisión todos los modelos que cubre este manual.)

version A - 09 - 2020

MANUAL DE USUARIO



**iExtensión gratuita
de 3 meses** del período
original de la garantía
limitada!* Simplemente envíe
una foto de su comprobante
de compra al:

1-866-646-4332

*La extensión de la garantía es por los
tres meses inmediatamente posteriores
a la finalización del período de la
garantía original del producto.

**NÚMERO DE MODELO MRB19B7AWW
MRB19B7AST
www.midea.com**

Estimado usuario

Gracias por permitir que Midea le ayude a "hacer que se sienta en casa". Este manual es parte de nuestro compromiso con su satisfacción total. Lea detenidamente este manual antes de utilizar este producto, y guárdelo en un lugar conveniente para su consulta futura.

Para ayudarnos a brindarle un mejor servicio, considere registrar su producto con nuestra práctica aplicación Midea MSmartlife, visitando <http://www.midea.com>, o enviando por mensaje de texto una foto de su comprobante de compra al **1-866-646-4332**.

Al utilizar la opción de texto, obtendrá una extensión de la garantía adicional de 3 meses inmediatamente después de completar la garantía original del producto.

SEGURIDAD DEL REFRIGERADOR.....	3
REQUISITOS PARA EL FUNCIONAMIENTO.....	6
Requisitos de Ubicación	6
Requisitos eléctricos	8
PIEZAS Y CARACTERÍSTICAS	9
INSTALACIÓN	10
Desempacar.....	10
Mover a la ubicación final.....	10
Nivelar el refrigerador.....	10
Invertir el batiente de la puerta	11
Instalar una máquina de hielo opcional.....	14
ANTES DE USAR.....	15
Período de espera.....	15
Limpieza.....	15
USO DEL REFRIGERADOR.....	16
General	16
Controles	17
CUIDADO DEL REFRIGERADOR	19
Limpieza.....	19
Mudanza.....	20
Almacenamiento.....	20

RESOLUCIÓN DE PROBLEMAS	20
General	20
Códigos de error.....	22
GARANTÍA.....	23

SEGURIDAD DEL REFRIGERADOR

SU SEGURIDAD Y LA SEGURIDAD DE LOS DEMÁS SON MUY IMPORTANTES

Para prevenir lesiones del usuario y otras personas y daños materiales, se deben seguir las instrucciones que se muestran debajo. El funcionamiento incorrecto por ignorar las instrucciones puede causar daños o heridas, e incluso la muerte.

El nivel de riesgo se muestra según las siguientes indicaciones.



Este símbolo indica la posibilidad de muerte o heridas graves.



Este símbolo indica la posibilidad de lesiones o daños a la propiedad.



Este símbolo indica que existe la posibilidad de voltaje peligroso con un riesgo de descarga eléctrica, lo que puede provocar la muerte o heridas graves.

INSTRUCCIONES IMPORTANTES DE SEGURIDAD

ADVERTENCIA

SEGURIDAD GENERAL DEL ELECTRODOMÉSTICO

- Lea todas las advertencias de seguridad, instrucciones, ilustraciones y especificaciones provistas con este electrodoméstico. El incumplimiento de todas las instrucciones que se enumeran a continuación puede provocar descargas eléctricas, incendios y/o lesiones graves.
- Guarde todas las advertencias e instrucciones para futuras referencias.

SEGURIDAD ELÉCTRICA

- Enchufe en un tomacorriente de 3 clavijas con conexión a tierra.
- No quite el enchufe de conexión a tierra.
- No use un adaptador.
- Desconecte el cable de alimentación sujetando el enchufe, nunca tirando del cable.
- NO encienda ni apague el electrodoméstico enchufando o desenchufando el cable de alimentación.
- NO utilice un cable de extensión.
- Desconecte el refrigerador antes de limpiarlo o descongelarlo.

Requisito de conexión a tierra

- Este refrigerador debe estar conectado a tierra. Este refrigerador está equipado con un enchufe de conexión a tierra. El enchufe debe insertarse en un tomacorriente que esté correctamente instalado y conectado a tierra.
- El uso incorrecto del enchufe de conexión a tierra puede provocar un riesgo de descarga eléctrica. Consulte a un electricista o técnico calificado si las instrucciones de conexión a tierra no se entienden completamente o si existen dudas sobre si el refrigerador está conectado a tierra correctamente.

SEGURIDAD DE LA UBICACIÓN

- Este refrigerador está diseñado para usarse en entornos domésticos y similares.
- Haga la instalación conforme a las instrucciones del fabricante.
- Este refrigerador no debe estar empotrado o incorporado en un gabinete cerrado. Está diseñado para la instalación independiente solamente.
ADVERTENCIA - Mantenga las aberturas de ventilación, en el refrigerador, libres de obstrucciones.
- NO lo instale cerca de fuentes de calor, como radiadores, registradores de calor, estufas, otros aparatos de cocina o bajo la luz solar directa.
- NO almacene ni use gasolina ni ningún líquido inflamable dentro o cerca de este refrigerador.

SEGURIDAD SOBRE USO Y CUIDADO

- Se ha utilizado un refrigerante inflamable. Siga cuidadosamente las instrucciones de manejo. Existe riesgo de incendio o explosión debido a la perforación de la tubería del refrigerante.
- Se ha utilizado un refrigerante inflamable. No utilice dispositivos mecánicos para descongelar el congelador. No perforo la tubería del refrigerante.
- Este electrodoméstico no está destinado a ser utilizado por personas (incluidos niños) con capacidades físicas, sensoriales o mentales reducidas, o por falta de experiencia y conocimiento, a menos que hayan sido supervisados o instruidos sobre el uso del electrodoméstico por una persona responsable de su seguridad.
- Mantenga la llave alejada de los niños.
- Los niños deben ser supervisados para asegurarse que NO jueguen con el electrodoméstico.
- NO toque el interior del congelador con las manos mojadas. Esto podría dar lugar a una quemadura por congelación.
- Limpie solo con un paño húmedo. Use un limpiador no inflamable.

SEGURIDAD DE SERVICIO

- Desconecte la corriente antes de realizar el servicio.
- Se ha utilizado un refrigerante inflamable. Para ser reparado solo por personal de servicio capacitado. NO perforo la tubería del refrigerante.
- Remita todo el servicio al personal de servicio calificado. No repare ni reemplace ninguna parte de este electrodoméstico a menos que se recomiende específicamente en este manual. El servicio se requiere cuando el electrodoméstico se ha dañado de alguna manera, por ejemplo: el cable de alimentación o el enchufe está dañado, se ha derramado líquido o han caído objetos dentro del dispositivo, el aparato ha estado expuesto a la lluvia o la humedad, no funciona normalmente, o se ha caído.
- Si el cable de alimentación está dañado, debe ser reemplazado por el fabricante, su agente de servicio o una persona con calificaciones similares, para evitar un peligro.
- Si la pieza del componente está dañada, debe ser reemplazada por el fabricante, su agente de servicio o personas con calificaciones similares para evitar un peligro.
- Reemplace todas las partes y paneles antes de poner en funcionamiento.

GUARDE ESTAS INSTRUCCIONES

ESTE ELECTRODOMÉSTICO ES SOLO PARA USO DOMÉSTICO

Advertencias de la “Proposition 65” del estado de California:



ADVERTENCIA: Riesgos de cáncer y daños al sistema reproductivo: www.P65Warnings.ca.gov.

ELIMINACIÓN ADECUADA



ADVERTENCIA

Peligro de asfixia

Antes de tirar su refrigerador viejo:

- Quite la puerta o la tapa para que los niños no puedan esconderse o quedar atrapados dentro de su viejo electrodoméstico.
- Deje los estantes en su lugar para que los niños no puedan entrar fácilmente.
- El incumplimiento de estas instrucciones puede provocar la muerte o daño cerebral.

IMPORTANTE: Se han utilizado gas y refrigerante inflamables. Es responsabilidad del consumidor cumplir con las regulaciones federales y locales al desechar este producto. Los refrigerantes deben ser evacuados por un técnico de refrigerantes certificado y reconocido por la Agencia de Protección Ambiental (EPA por sus siglas en inglés), de acuerdo con los procedimientos establecidos.

REQUISITOS OPERATIVOS

REQUISITOS DE UBICACIÓN



ADVERTENCIA

Peligro de explosión e incendio

- Mantenga los materiales y vapores inflamables, como la gasolina, lejos del electrodoméstico.
- El incumplimiento de estas instrucciones puede provocar la muerte, explosión o incendio.

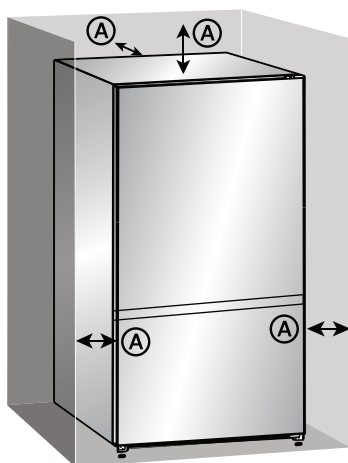
Este refrigerador está diseñado para para la instalación independiente, y no debe estar empotrado o incorporado.

- Coloque el refrigerador en un piso que esté nivelado y lo suficientemente fuerte como para sostener el refrigerador cuando esté completamente cargado.
- Coloque el refrigerador donde haya acceso a la conexión eléctrica requerida. Consulte “Requisitos eléctricos”.

- Coloque el refrigerador en un lugar alejado de la luz solar directa, ya que puede afectar el recubrimiento acrílico y las fuentes de calor pueden aumentar la electricidad consumo. Para garantizar un rendimiento óptimo, instale en áreas con un ambiente temperatura entre 41 °F (5 °C) y 109 °F (42.8 °C).

NOTAS:

- La luz solar directa puede afectar el recubrimiento acrílico y las fuentes de calor pueden aumentar el consumo eléctrico.
- Las temperaturas extremadamente frías también pueden impedir que el refrigerador funcione correctamente.
- Evite ubicar el refrigerador en áreas con alta humedad.
- Se requiere una circulación de aire adecuada para una operación eficiente. Mantenga la separación recomendada para asegurar una circulación de aire adecuada.

ESPACIOS RECOMENDADOS

Ⓐ Espacio de 3" (7,6 cm) en la parte superior, posterior y a ambos lados del refrigerador

NOTA: Si coloca el refrigerador junto a una pared fija, deje suficiente espacio en el lado de la bisagra para que la puerta se abra.

REQUISITOS ELÉCTRICOS

ADVERTENCIA

Peligro de choque eléctrico

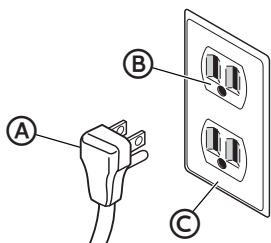
- Enchufe en un tomacorriente de 3 clavijas con conexión a tierra.
- No quite la clavija de conexión a tierra del enchufe del cable de alimentación.
- No use un adaptador.
- No utilice un cable de extensión.
- El incumplimiento de estas instrucciones puede provocar la muerte, incendio o descarga eléctrica.

IMPORTANTE: Se requiere una fuente de alimentación eléctrica de 115 voltios, 60 Hz, de CA solamente, con fusible de 15 amperios y con conexión a tierra.

- Use un tomacorriente que permita la clavija de conexión a tierra.

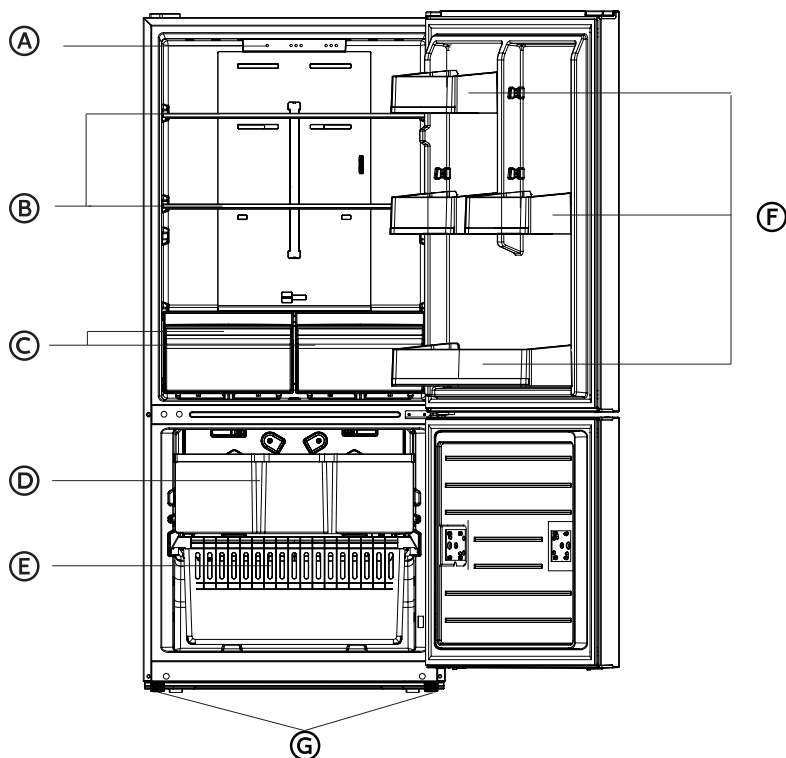
NOTA: El cable de alimentación está equipado con un enchufe de 3 clavijas (con conexión a tierra) que se acopla a un tomacorriente eléctrico estándar de 3 clavijas (con conexión a tierra).

- Recomendamos que el refrigerador esté enchufado a un circuito eléctrico que sirva SOLAMENTE a este aparato.
- Use un tomacorriente que no pueda apagarse con un interruptor o cadena de tiro.
- NO utilice un cable de extensión.



- Ⓐ Enchufe de 3 clavijas
- Ⓑ Receptáculo de 3 clavijas
- Ⓒ Tapa de la caja del receptáculo

PIEZAS Y CARACTERÍSTICAS



- (A)** Panel de control de temperatura e iluminación LED
- (B)** Estante de vidrio
- (C)** Cajón para frutas y verduras
- (D)** Cajón superior del congelador
- (E)** Cajón debajo del congelador
- (F)** Bandeja de la puerta
- (G)** Pies niveladores (2 - parte inferior delantera)
Ruedas (2 - parte inferior trasera)

ESPECIFICACIONES

Dimensiones (ancho x profundidad x alto)	29½" x 30¾" x 66¾" (75 x 78.5 x 169.2 cm)
Peso	185 libras (84 kg)
Requisitos de energía	115 V ~ 60 Hz
Longitud del cable de alimentación	66.9 pulgadas (170 cm)

INSTALACIÓN

DESEMPACAR

ADVERTENCIA

Peligro de explosión o incendio

- No perfora la tubería del refrigerante.
- Siga cuidadosamente las instrucciones de manejo.
- Se ha utilizado un refrigerante inflamable.
- El incumplimiento de estas instrucciones puede provocar la muerte, explosión o incendio.

IMPORTANTE: Retire TODOS los materiales de empaque exterior e interior, incluido el empaque de espuma entre el condensador exterior y la carcasa del refrigerador.

MOVER A LA UBICACIÓN FINAL

ADVERTENCIA

Peligro de explosión o incendio

- No perfora la tubería del refrigerante.
- Siga cuidadosamente las instrucciones de manejo.
- Se ha utilizado un refrigerante inflamable.
- El incumplimiento de estas instrucciones puede provocar la muerte, explosión o incendio.

IMPORTANTE:

- Si el refrigerador ha estado en una posición horizontal durante un período de tiempo, espere 24 horas para permitir que el refrigerante se asiente antes de enchufarlo.
- Al mover el refrigerador, NO lo incline más allá de 45° desde la posición vertical.

NOTA: Si inclina el refrigerador más de 45°, podría dañar el compresor y el sistema sellado.

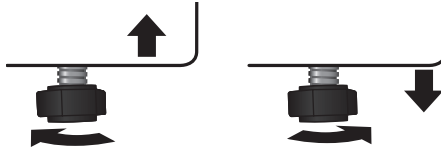
NIVELAR EL REFRIGERADOR

IMPORTANTE: Nivele el refrigerador para que funcione correctamente y para evitar problemas de enfriamiento, congelación y humedad que pueden ocurrir cuando la puerta no cierra correctamente.

1. Mueva el refrigerador a su ubicación final. Consulte “Mover a la ubicación final”.

- Coloque un nivel de carpintero en la parte superior del gabinete del refrigerador.
- Ajuste los dos pies niveladores (un pie ubicado en cada una de las dos esquinas delanteras del gabinete del refrigerador) hasta que el refrigerador esté nivelado.

NOTA: Las patas niveladoras son más fáciles de ajustar si alguien empuja la parte superior delantera del refrigerador para quitar algo de peso de las patas.



Para levantar - Gire las patas niveladoras en sentido horario

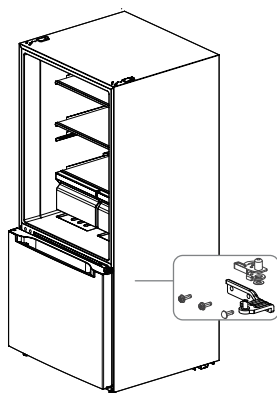
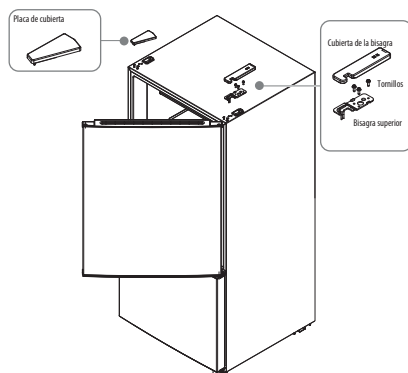
Para bajar - Gire las patas niveladoras en sentido antihorario

INVERTIR EL LADO DE APERTURA DE LA PUERTA

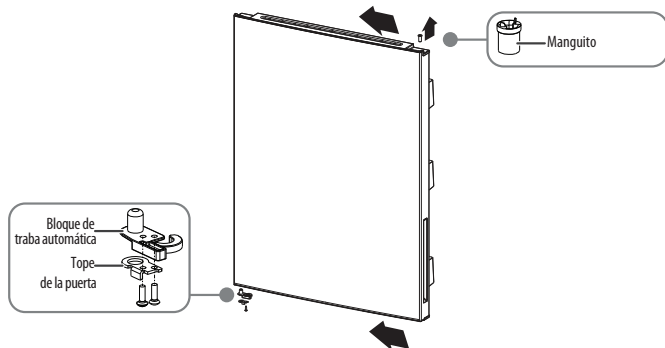
Lista de herramientas que debe proporcionar el usuario			
	Destornillador Phillips		Espátula para masilla
	Destornillador de cabeza plana		Destornillador de cubo y trinquete de 5/16"
	Cinta de enmascar		Cinta de enmascar

Piezas incluidas con el kit de bisagra			
	Cubierta de la bisagra superior izquierda (1)		Tope izquierdo de puerta abierta (1)
	Bisagra superior izquierda de la puerta (1)		Bloque de traba automática de la puerta izquierda(1)
	Tapaderas de orificios adicionales (2)		

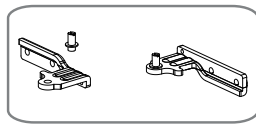
- Asegúrese de que el refrigerador esté desenchufado y vacío.
- Haga palanca en la placa de cubierta izquierda y en la cubierta de la bisagra superior derecha desde la parte superior del refrigerador.
- Retire los tres tornillos que aseguran la bisagra superior al refrigerador y luego retire la bisagra. Guarde los tornillos para reutilizarlos.
- Retire la puerta del compartimiento del refrigerador del gabinete.



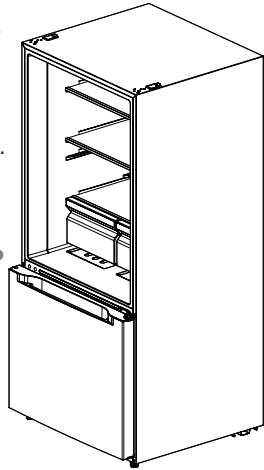
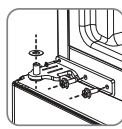
5. Retire los tres tornillos que aseguran la bisagra central al refrigerador y luego retire la bisagra central. Guarde los tornillos para reutilizarlos.
6. Retire los manguitos y las tapas de los orificios de la puerta del refrigerador y luego instálelos en el lado opuesto de la puerta.
7. Tome el bloque de traba automática del lado izquierdo y el tapón de la bolsa de accesorios e instálelos en el lado inferior izquierdo de la puerta del refrigerador como se muestra a continuación.



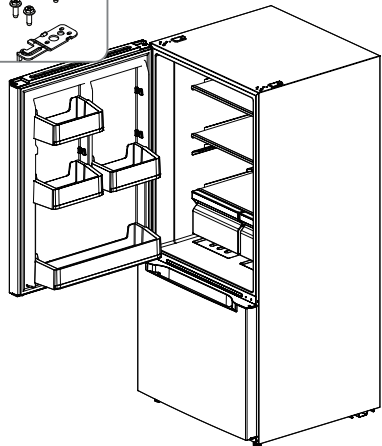
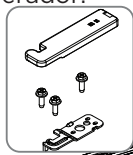
8. Retire la bisagra central, retire el eje de la bisagra central con un destornillador plano, instale el eje de la bisagra en el lado opuesto de la bisagra e instale la bisagra a la izquierda de la caja.



En el orden que se muestra arriba, se cambia el eje de la bisagra central.



9. Inserte el tope de la puerta en el lado inferior izquierdo de la puerta del refrigerador en el pasador de bisagra que instaló en el lado medio izquierdo del refrigerador.
10. Tome la bisagra superior del lado izquierdo de la bolsa de accesorios e instálela en el lado superior izquierdo del refrigerador con los tornillos que retiró anteriormente y el pasador de la bisagra en el manguito de la puerta del refrigerador.



11. Instale la cubierta de la bisagra en el lado izquierdo del refrigerador y la cubierta del orificio en el lado derecho.

(La imagen anterior es solo para referencia. La configuración real puede variar).

INSTALACIÓN DE UNA MÁQUINA DE HIELO OPCIONAL

El refrigerador viene preparado para la instalación de la máquina de hielo. Este refrigerador es compatible con la máquina de hielo Midea IM1900MD. Consulte el manual de instrucciones individual de instalación de la máquina de hielo.



ADVERTENCIA

Desenchufe el refrigerador. Para eliminar el peligro de descarga eléctrica durante la instalación, debe desenchufar el refrigerador de su toma de corriente.

ANTES DE USAR

PERÍODO DE ESPERA

- Antes de enchufar el refrigerador a un tomacorriente eléctrico de 3 clavijas con conexión a tierra, déjelo en posición vertical durante aproximadamente 2 horas.

NOTA: Esto reduce la posibilidad de un mal funcionamiento en el sistema de enfriamiento por un manejo inadecuado durante la transportación.

LIMPIEZA

1. Lave el interior del refrigerador con un paño suave humedecido con una solución de bicarbonato de sodio (2 cucharadas de bicarbonato de sodio mezclado con 1 litro de agua tibia).
2. Usando un paño suave, seque bien todas las superficies.

USO DEL REFRIGERADOR

GENERAL

- La vida de almacenamiento de los alimentos congelados varía y no se debe exceder el tiempo de almacenamiento recomendado.



ADVERTENCIA

Peligro de choque eléctrico

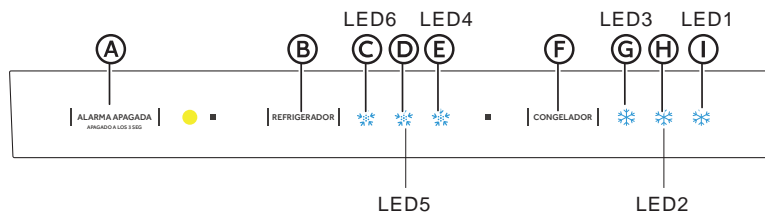
- Enchufe en un tomacorriente de 3 clavijas con conexión a tierra.
- No quite la clavija de conexión a tierra del enchufe del cable de alimentación.
- No use un adaptador.
- No utilice un cable de extensión.
- El incumplimiento de estas instrucciones puede provocar la muerte, incendio o descarga eléctrica.

1. Enchufe el refrigerador. Espere 30 minutos y luego abra la puerta del refrigerador para determinar si el refrigerador está funcionando correctamente.
2. Coloque los alimentos congelados en el refrigerador lo más rápido posible después de la compra. Si hay instrucciones en el paquete, siga cuidadosamente estas instrucciones con respecto a los tiempos de almacenamiento.

CONSEJOS PARA AHORRAR ENERGÍA

- Deje que los alimentos calientes se enfríen a temperatura ambiente antes de colocarlos en el refrigerador. Los alimentos que se congelan muy lentamente pueden perder calidad o echarse a perder.
- La sobrecarga del refrigerador obliga al compresor a funcionar durante más tiempo.
- Envuelva los alimentos adecuadamente y seque los recipientes antes de colocarlos en el refrigerador. Esto reduce la acumulación de escarcha dentro del refrigerador.
- No cubra los estantes del refrigerador con papel de aluminio, papel encerado o papel de toalla. Los revestimientos interfieren con la circulación de aire frío, lo que hace que el refrigerador sea menos eficiente.
- Organice y etiquete los alimentos para reducir las aperturas de las puertas y las búsquedas prolongadas. Retire tantos elementos como sea necesario a la vez, y luego cierre la puerta lo antes posible.
- NO agregue una gran cantidad de alimentos no congelados al refrigerador a la vez. Esto disminuirá la eficiencia de enfriamiento del refrigerador.

CONTROLES



- (A) Botón de Alarma/Apagado/Encendido
- (B) Configuración del refrigerador
- (C) Indicador de enfriamiento LED 6 del refrigerador
- (D) Indicador LED 5 del refrigerador
- (E) Indicador LED 4 del nivel más frío del refrigerador
- (F) Configuración del congelador
- (G) Indicador de frío LED 3 del congelador
- (H) Indicador LED 2 del congelador
- (I) Indicador LED 1 del nivel más frío del congelador

PANTALLA

Una vez que se encienda inicialmente, la pantalla de visualización estará en pantalla completa durante 3 segundos.

La configuración predeterminada del refrigerador es media, y el indicador LED 2 y LED 5 se iluminarán.

Esta es una pantalla de funcionamiento normal

En caso de falla, la luz LED correspondiente parpadeará en secuencia.

En caso de que no haya fallas, se mostrará la configuración de temperatura actual del refrigerador.

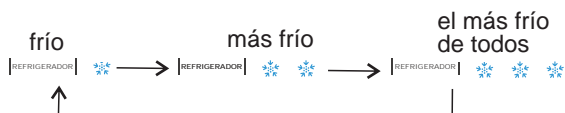
CONFIGURACIÓN DE LA TEMPERATURA

Cada vez que el ajuste de temperatura [REFRIGERADOR] [CONGELADOR] se presiona una vez, el ajuste de temperatura cambia una vez.

Después de completar el ajuste de temperatura, el refrigerador funcionará de acuerdo con el valor establecido después de 25 seg.

De izquierda a derecha, la temperatura es más baja.

El orden de los ajustes de frío es el siguiente:



MODO DE ESPERA

Para entrar en el modo de espera, presione el ajuste [ALARMA APAGADA] durante 3 segundos cuando el refrigerador esté funcionando. En modo de espera, el compresor no funcionará y la luz indicadora de espera se iluminará. Para reanudar el funcionamiento normal, simplemente presione el ajuste [ALARMA APAGADA] momentáneamente.

CUIDADO DEL CONGELADOR

El congelador está diseñado para usarlo durante todo el año y requiere una limpieza y un mantenimiento mínimos. Para mantener el congelador funcionando de manera eficiente y sin olores, le recomendamos que lo limpie regularmente.

LIMPIEZA



ADVERTENCIA

Peligro de choque eléctrico

- Desenchufe el aparato o desconecte la corriente antes de limpiarlo.
- El incumplimiento de estas instrucciones puede provocar la muerte, descargas eléctricas o lesiones personales.



ADVERTENCIA

Peligro de explosión

- Use un limpiador no inflamable.
- El incumplimiento de estas instrucciones puede provocar la muerte, explosión o incendio.

IMPORTANTE: Para evitar dañar el acabado, NO use gasolina, bencina, diluyentes u otros solventes, y NO use limpiadores abrasivos.

1. Desconecte el congelador del tomacorriente.
2. Retire toda la comida.
3. Quite y lave los estantes con una solución de detergente suave.
4. Lave el interior del congelador con un paño suave humedecido con una solución de bicarbonato de sodio (2 cucharadas de bicarbonato de sodio mezclados con 1 litro de agua tibia).
5. Limpie la junta alrededor de la puerta. Limpie suavemente la junta con un paño suave humedecido con una solución de detergente suave.

NOTA: Las juntas deben mantenerse limpias y flexibles para asegurar un sellado adecuado.

6. Usando un paño suave, seque bien todas las superficies.
7. Enchufe o vuelva a conectar la corriente.

MUDANZA

IMPORTANTE: Al mover el refrigerador, NO lo incline más allá de 45° desde la posición vertical.

1. Desconecte el refrigerador del tomacorriente.
2. Retire toda la comida.
3. Asegure con cinta adhesiva todos los artículos sueltos dentro del refrigerador.
4. Asegure con cinta adhesiva la puerta cerrada.

ALMACENAMIENTO

IMPORTANTE: No almacene el refrigerador en un lugar al que puedan acceder los niños.

1. Desconecte el refrigerador del tomacorriente.
2. Retire toda la comida.
3. Limpie el refrigerador.
4. Deje la puerta ligeramente abierta para evitar la posible formación de condensación, moho u olor.

SOLUCIÓN DE PROBLEMAS

IMPORTANTE: NO intente reparar el refrigerador usted mismo. Hacerlo invalida la garantía.

GENERAL

PROBLEMA	CAUSA POSIBLE	SOLUCIÓN
El refrigerador no funciona	El refrigerador está desenchufado.	Asegúrese que el cable de alimentación del refrigerador esté completamente enchufado en el tomacorriente.
	El fusible en el circuito está fundido o el disyuntor se ha disparado.	Verifique la caja de fusibles / disyuntores de la casa y reemplace el fusible o reinicie el disyuntor.
	Fallo en el suministro eléctrico.	Si se produce un fallo en el suministro eléctrico, el refrigerador se apaga. Espere hasta que se restablezca la corriente.

PROBLEMA	CAUSA POSIBLE	SOLUCIÓN
La puerta del refrigerador no cierra completamente	Los paquetes de alimentos están interfiriendo con la puerta.	Mueva o retire algunos alimentos.
	Las juntas de la puerta están sucias.	Limpie las juntas de la puerta.
	El refrigerador puede estar desnivelado.	Nivele el refrigerador.
La comida en el refrigerador no está fría	La puerta se ha abierto con demasiada frecuencia o no se ha cerrado correctamente.	Asegúrese que la puerta esté cerrada correctamente.
	Una gran cantidad de comida fue añadida recientemente.	Deje que se enfríe la comida que acaba de agregar y luego verifique nuevamente.
	La puerta no está completamente cerrada.	Revise la junta de la puerta y la distribución de los alimentos, y asegúrese que la puerta se cierra completamente.
	El refrigerador ha sido desconectado por un período de tiempo.	Espere 4 horas para que el refrigerador se enfríe completamente antes de agregar alimentos.
	El control de temperatura está en un ajuste demasiado caliente.	Fije el control de temperatura a un ajuste más frío.
El refrigerador hace ruidos o vibraciones inusuales	El refrigerador puede estar desnivelado.	Ajuste las patas niveladoras ubicadas en las esquinas delanteras del refrigerador hasta que el refrigerador esté nivelado.
	La carcasa del refrigerador está tocando una pared.	Aleje el refrigerador de la pared.
	Las piezas metálicas son sometidas a expansión y contracción.	Esto es normal.
	El refrigerante está circulando por todo el sistema.	Esto es normal.

PROBLEMA	CAUSA POSIBLE	SOLUCIÓN
Se acumula humedad en el interior del refrigerador	La puerta se ha abierto con demasiada frecuencia o no se ha cerrado correctamente.	Asegúrese que la puerta esté cerrada correctamente.
	El refrigerador se encuentra en un área húmeda.	Mueva el refrigerador a un lugar más seco.
	El clima es cálido y húmedo.	Esto es normal.
El compresor se enciende y apaga con frecuencia	La temperatura ambiente es más alta de lo normal.	Esto es normal.
	Una gran cantidad de comida fue añadida recientemente.	Deje que se enfríe la comida que acaba de agregar y luego verifique nuevamente.
	La puerta no está completamente cerrada o se abrió con demasiada frecuencia.	Revise la junta de la puerta y la distribución de los alimentos para asegurarse que la puerta se cierra completamente.
	El refrigerador ha sido desconectado por un período de tiempo.	Espere 4 horas para que el refrigerador se enfríe completamente antes de agregar alimentos.
El refrigerador tiene un olor	El control de temperatura no estaba configurado correctamente.	Fije el control de temperatura en la configuración correcta.
	El refrigerador necesita limpieza.	Limpie el refrigerador. Consulte "Limpieza".
	Los alimentos mal envueltos están desprendiendo un olor.	Envuelva bien los alimentos o séllelos antes de guardarlos en el refrigerador.

CÓDIGOS DE ERROR

Código del avería	Descripción de la avería
Indicador LED1 e indicador LED2	Avería del sensor de temperatura del frigorífico
Indicador LED1 e indicador LED5	Avería del sensor de temperatura del congelador
Indicador LED1 e indicador LED3	Avería del sensor de descongelación congelador
Indicador LED2 e indicador LED4	Avería de la comunicación
Indicador LED1 e indicador LED4 Ambiente	Avería del sensor de temperatura ambiente

GARANTÍA LIMITADA DEL REFRIGERADOR MIDEA

ADJUNTE SU RECIBO AQUÍ. SE REQUIERE COMPROBANTE DE COMPRA PARA OBTENER UN SERVICIO DE GARANTÍA.

Tenga a disposición la siguiente información cuando llame al Centro de servicio al cliente:

- Nombre, domicilio y número de teléfono
- Número de modelo y número de serie
- Una descripción clara y detallada del problema
- Comprobante de compra, incluido el nombre y domicilio del distribuidor o vendedor

SI NECESITA SERVICIO TÉCNICO:

1. Antes de contactarnos para coordinar el servicio técnico, determine si su producto requiere reparación. Algunas preguntas pueden resolverse sin el servicio técnico. Dedique algunos minutos a revisar la sección de Solución de problemas del Manual de usuario, o visite <http://us.Midea.com/> support.
2. Todo servicio técnico de garantía se provee exclusivamente por parte de prestadores de servicio técnico autorizados de Midea, en los EE. UU. y Canadá.

Servicio al cliente de Midea

En EE. UU. o Canadá, llame al 1-866-646-4332.

Si se encuentra fuera de los 50 estados de los Estados Unidos o de Canadá, comuníquese con su distribuidor autorizado de Midea para corroborar si aplica una garantía distinta.

1 AÑO PARA PIEZAS Y MANO DE OBRA, 10 AÑOS PARA PIEZAS DEL COMPRESOR

LO QUE CUBRE

PRIMER AÑO DE GARANTÍA LIMITADA (PIEZAS Y MANO DE OBRA)

Midea reparará o reemplazará, sin cargo, cualquier defecto debido a materiales defectuosos o mano de obra por un año completo a partir de la fecha de compra. Para obtener más detalles sobre la cobertura de la garantía e información sobre reparación de la garantía, visite www.midea.com o llame al **1-866-646-4332**.

El consumidor será responsable de:

- Los costos de diagnóstico, traslado, transporte y reinstalación requeridos por el servicio.
- Los costos de las llamadas de servicio que sean resultado de los artículos enumerados bajo **RESPONSABILIDADES NORMALES DEL CONSUMIDOR****

RESPONSABILIDADES NORMALES DEL CONSUMIDOR**

Esta garantía se aplica solo a los productos de uso doméstico común, y el consumidor es responsable de los puntos que se enumeran a continuación:

1. El uso correcto del electrodoméstico de acuerdo con las instrucciones proporcionadas con el producto.
2. El mantenimiento de rutina y la limpieza necesaria para mantener las buenas condiciones de trabajo.
3. La instalación correcta por un profesional de servicio autorizado de acuerdo con las instrucciones provistas con el electrodoméstico y de acuerdo con todos los códigos locales de plomería, electricidad y/o gas.
4. La conexión adecuada a una fuente de alimentación con conexión a tierra de suficiente voltaje, reemplazo de fusibles quemados, reparación de conexiones flojas o defectos en el cableado de la casa.
5. Los gastos por hacer accesible el electrodoméstico para darle servicio.
6. Los daños al acabado después de la instalación.

SU ÚNICO RECURSO EXCLUSIVO CONFORME A ESTA GARANTÍA LIMITADA SERÁ LA REPARACIÓN O EL REEMPLAZO DEL PRODUCTO SEGÚN SE INDICA. El servicio técnico debe ser provisto por una empresa de servicio técnico designada por Midea. Esta garantía limitada es válida solamente en los 50 estados de los Estados Unidos o Canadá y aplica únicamente cuando el electrodoméstico se utiliza en el país en el que se adquirió. Esta garantía limitada entra en vigencia a partir de la fecha de compra original del consumidor. Se requiere comprobante de la fecha de compra original para obtener el servicio técnico conforme esta garantía.

LO QUE NO CUBRE

1. Fallo causado por daño a la unidad mientras se encuentra en su posesión (que no sea daño causado por un defecto o mal funcionamiento), por su instalación incorrecta o por un uso irrazonable del producto, incluyendo, entre otros, la falta de mantenimiento razonable y necesario o el cumplimiento del Manual de instrucciones e instalación.
2. Los productos comprados “como están” o restaurados no están cubiertos por esta garantía.
3. Pérdida de alimentos causada por falla del refrigerador o congelador.
4. Llamadas de servicio para reparar o reemplazar consumibles como filtros de agua, bombillas, filtros de aire, etc., manijas, perillas y otras partes cosméticas.
5. Un producto que haya sido transferido de su propietario original.
5. Óxido interior o exterior de la unidad.
7. Daños causados por servicios realizados por personas distintas de los servicios autorizados de Midea; uso de partes distintas a las de reemplazo de Midea; lo obtenido de personas que no sean del servicio al cliente de Midea; o causas externas tales como abuso, mal uso, suministro de energía inadecuado o desastres naturales.
8. Llamadas de servicio resultantes por la instalación incorrecta del producto.
9. Llamadas de servicio para darle instrucciones acerca del uso del producto.
10. Recargos que incluyen, entre otros, cualquier llamada de servicio después de hora, fin de semana o días festivos, peajes, cargos por viaje en ferry o gastos de millaje para llamadas de servicio a áreas remotas, incluido el estado de Alaska.
11. Si la unidad se destina a un uso comercial, de negocio, de alquiler u otro uso o aplicación que no sea para uso del consumidor, no ofrecemos ninguna garantía, expresa o implícita, incluida, entre otras, cualquier garantía implícita de comercialización o idoneidad para un uso o propósito particular.
12. Un producto que haya sido retirado fuera de los Estados Unidos o Canadá.
13. Productos sin números de serie originales o productos con números de serie que hayan sido alterados o no puedan determinarse fácilmente.

NOTA: Algunos estados no permiten la exclusión o limitación de daños incidentales o consecuentes. Por lo tanto, esta limitación o exclusión puede no aplicarse a su caso.

El costo de la reparación o reemplazo conforme a estas circunstancias excluidas correrá a cargo del cliente.

EXENCIÓN DE RESPONSABILIDAD DE LAS GARANTÍAS IMPLÍCITAS

LAS GARANTÍAS IMPLÍCITAS, INCLUIDA CUALQUIER GARANTÍA IMPLÍCITA DE COMERCIABILIDAD O GARANTÍA IMPLÍCITA DE IDONEIDAD PARA UN PROPÓSITO ESPECÍFICO, SE LIMITAN A UN AÑO O EL PERÍODO MÁS BREVE PERMITIDO POR LEY. Algunos estados y provincias no permiten limitaciones a la duración de las garantías implícitas de comerciabilidad o idoneidad, de manera que esta limitación podría no aplicar para usted. Esta garantía le otorga determinados derechos legales, y usted cuenta además con otros derechos que varían según el estado o la provincia.

EXENCIÓN DE RESPONSABILIDAD DE LAS DECLARACIONES AJENAS A LA GARANTÍA

Midea no hace ninguna declaración respecto de la calidad, durabilidad o necesidad de servicio técnico o reparaciones para este electrodoméstico, salvo las declaraciones incluidas en esta garantía. Si desea obtener una garantía más extensa o integral que la garantía limitada que se ofrece con este electrodoméstico, consulte con Midea o su vendedor sobre la posibilidad de adquirir una garantía extendida.

LIMITACIÓN DE RECURSOS; EXCLUSIÓN DE RESPONSABILIDAD POR DAÑOS OCASIONALES E INDIRECTOS

SU ÚNICO RECURSO EXCLUSIVO CONFORME A ESTA GARANTÍA LIMITADA SERÁ LA REPARACIÓN DEL PRODUCTO SEGÚN SE INDICA. MIDEA NO SERÁ RESPONSABLE POR DAÑOS OCASIONALES O INDIRECTOS. Algunos estados y provincias no permiten la exclusión o limitación de responsabilidad respecto de los daños ocasionales o indirectos, de manera que esta limitación podría no aplicar para usted. Esta garantía le otorga determinados derechos legales, y usted cuenta además con otros derechos que varían según el estado o la provincia.



make yourself at home