

Refrigerator
BOTTOM MOUNTED FREEZER SERIES

USER MANUAL

MDRB521MGB*

Warning notices: Before using this product, please read this manual carefully and keep it for future reference. The design and specifications are subject to change without prior notice for product improvement. Consult with your dealer or manufacturer for details. The diagram above is just for reference. Please take the appearance of the actual product as the standard.

THANK YOU LETTER

Thank you for choosing Midea! Before using your new Midea product, please read this manual thoroughly to ensure that you know how to operate the features and functions that your new appliance offers in a safe way.

CONTENTS

THANK YOU LETTER	01
SPECIFICATIONS	02
PRODUCT OVERVIEW	03
PRODUCT INSTALLATION	04
OPERATION INSTRUCTIONS	11
CLEANING AND MAINTENANCE	16
TROUBLESHOOTING	17
APPENDIX	19

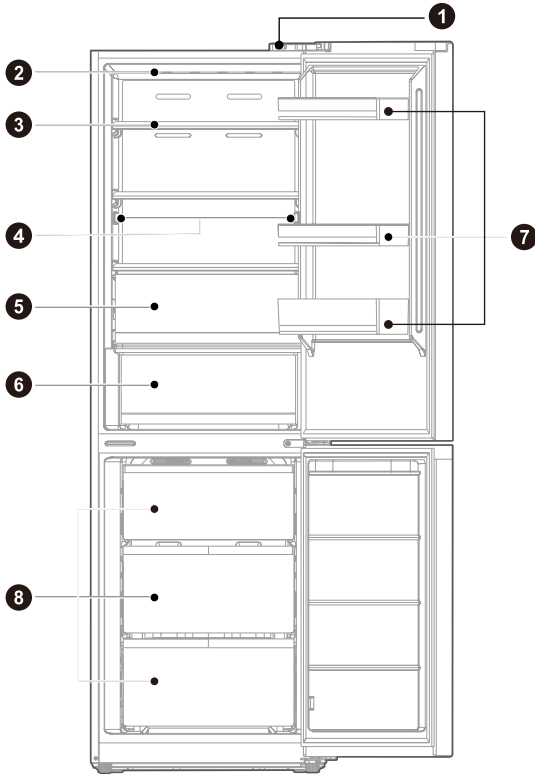
SPECIFICATIONS

Product model	MDRB521MGB
Rated Voltage/Frequency	220-240V~/50Hz
Rated Current	1.1A
Total Volume	378L
Fresh Food Compartment Volume	216L
Chill Compartment Volume	40L
Four Star Compartment Volume	122L
Temperature Rise Time	15h
Freezing Capacity	8.5kg/24h
Overall Dimension (W x D x H)	595x700x2010mm

Importer / Address: MIDEA HOME APPLIANCES UK LTD
Conavon Court Ground Floor, 12 Blackfriars Street, Salford,
Manchester M3 5BQ UK

PRODUCT OVERVIEW

Names of components



- | | | | |
|----------|-----------------------------|----------|-------------------------|
| 1 | Door switch | 5 | Fruits & vegetables box |
| 2 | LED light | 6 | Meat & fish box |
| 3 | Shelf | 7 | Door tray |
| 4 | LED light (for some models) | 8 | Drawer |

ATTENTION

The picture above is only for reference. The actual configuration will depend on the physical product or statement by the distributor.

PRODUCT INSTALLATION

Install Instruction

For refrigerating appliances with climate class

- Depending on the climate class, this refrigerator is intended to be used at an ambient temperature range as specified in the following table.
- The climate class can be found on the rating plate. The product may not operate properly at temperatures outside of the specific range.
- You can find the climate class on the product label.

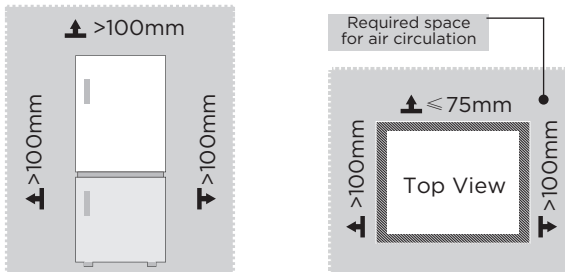
Effective temperature range

- The product is designed to operate normally in the temperature range specified by its class rating.

Class	Symbol	Ambient temperature range °C	
		IEC 62552 (ISO 15502)	ISO 8561
Extended temperate	SN	+ 10 to + 32	+ 10 to + 32
Temperate	N	+ 16 to + 32	+ 16 to + 32
Subtropical	ST	+ 16 to + 38	+ 18 to + 38
Tropical	T	+ 16 to + 43	+ 18 to + 43

Dimensions and Clearances

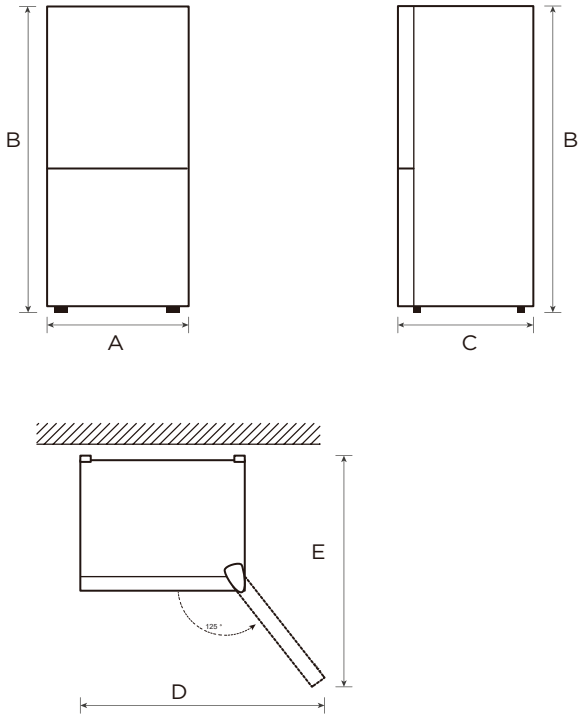
- Keep the air circulation free around the cabinet. When installing the unit, ensure 10cm of free space at both sides, 10cm at the top of the unit, and not more than 7.5cm at the rear of the unit.



ATTENTION

The picture above is only for reference. The actual configuration will depend on the physical product or statement by the distributor.

Space requirement diagram (when the door is open and when the door is closed)


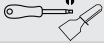
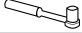



Width	Overall Height	Depth	Width doors open 125°	Depth doors open 125°
A	B	C	D	E
595	2010	700	920	1190

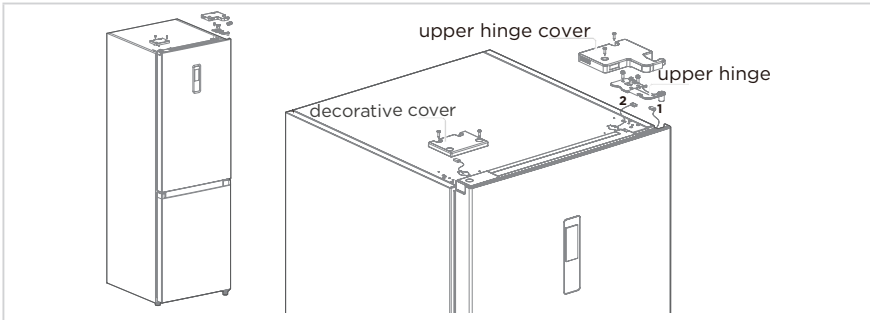
Notice: All dimensions in mm.

Door right-left change

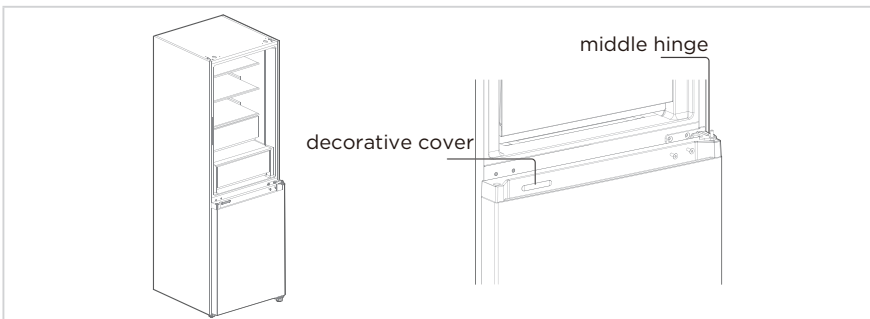
List of tools to be provided by the user

	Cross screwdriver
	Putty knife Thin-blade screwdriver
	5/16" socket spanner
	Masking tape

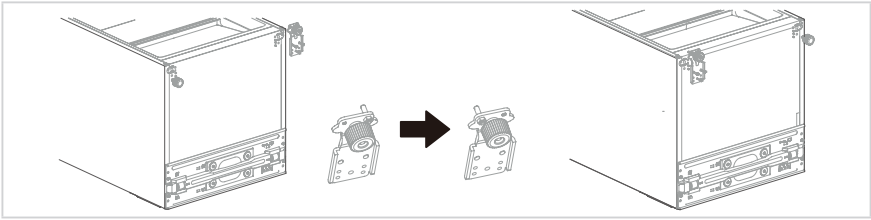
1. Please power off this appliance before conduct this operation. Remove all food from door shelves.
2. Remove the upper left hinge cover decorative cover, upper right hinge cover and upper right hinge, and disconnect the right signal line (signal line terminal 1, 2) at the top of the box body.



3. Remove the refrigerated door body (be careful not to lose small parts such as the shaft sleeve and stop on the door); Remove the middle hinge and remove the decorative cover of hinge hole on the other side.

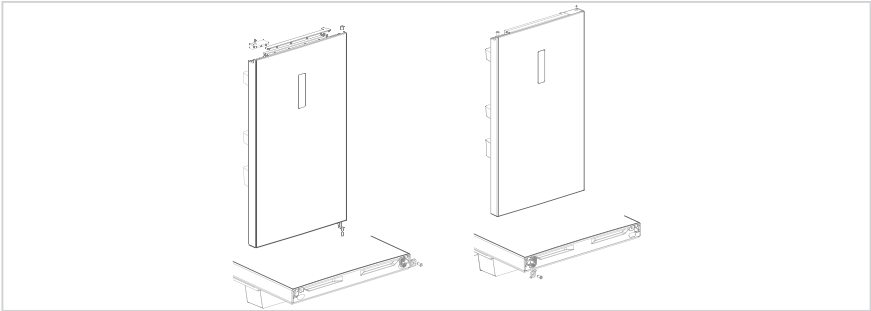


4. Remove the freezing door body (be careful not to lose small parts such as the shaft sleeve and stop on the door); Remove the hinge and adjust the angle. Remove and install the lower hinge shaft to the other side of the hinge, and install the modified lower hinge to the other side of the box.



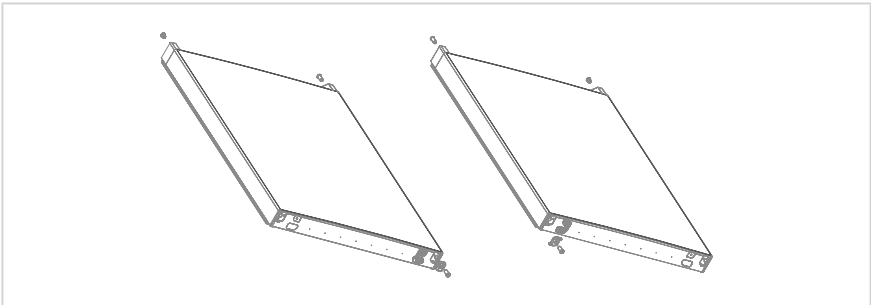
5. Change the refrigerator door:

- 1) Remove the cover plate of the upper end cover of the refrigeration door and the left decorative cover. Install the upper shaft sleeve and the signal line of the door body to the other side and cover the upper end cover plate. Take out the right decorative cover from the accessory bag and install it to the other side of the upper end cover.
- 2) Remove the door self-locking, door stop and shaft sleeve of the refrigeration door, take out the left door self-locking from the accessory bag, install it on the left side of the lower end cover of the refrigeration door, change the door stop and shaft sleeve to the left side of the lower end cover of the refrigeration door.



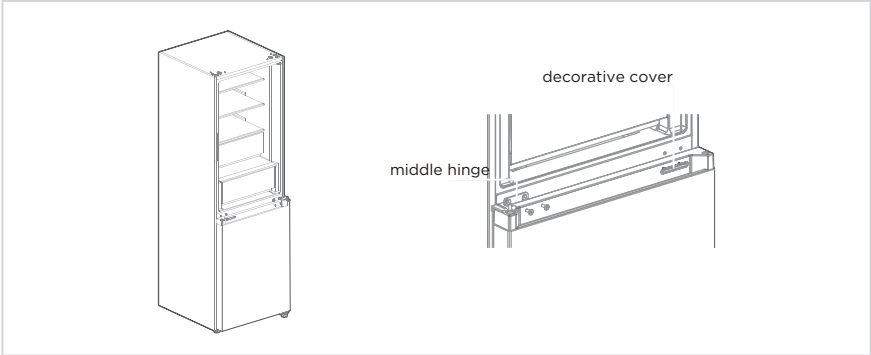
6. Change the freezing door:

- 1) Remove the shaft sleeve and cap of the upper end cover of the freezing door and install them at the left and right swap positions.
- 2) Remove the door self-locking, door stop and shaft sleeve of the freezing door, take out the left door self-locking from the accessory bag, install it on the left side of the lower end cover of the freezing door, change the door stop and shaft sleeve to the left side of the lower end cover of the freezing door.

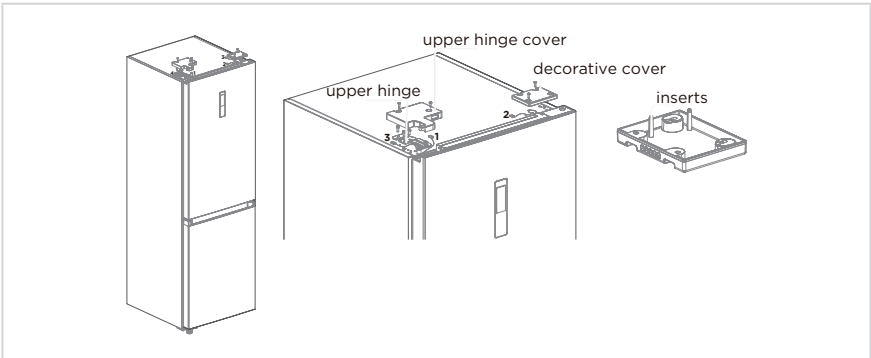


7. Install the replaced freezing door on the lower hinge, then install the middle

hinge and cover the hinge hole decorative cover.



8. Remove the upper left hinge cover and upper left hinge from the accessory bag. Place the refrigerated door body on the middle hinge and install the upper left hinge. Connect the refrigerator top signal line 3 to the door body signal line 1. Finally, replace the hinge decorative cover to the right side of the box body (note: when replacing the hinge decorative cover to the right side of the box body, the two inserts on the hinge decorative cover (as shown in the figure) shall be cut off.)



All illustrations without guarantee. Technical changes reserved.



Leveling feet

To avoid vibration, the unit must be leveled.

If required, adjust the leveling screws to compensate for the uneven floor.

The front should be slightly higher than the rear to aid in door closing.

Leveling screws can be turned easily by tipping the cabinet slightly.

Turn the leveling screws counterclockwise  to raise the unit, clockwise  to lower it.

Moving the appliance

1. Remove all food from inside the appliance.
2. Pull the power plug out, insert and fix it into the power plug hook at the rear or on top of the appliance.
3. Tape parts such as shelves and the door handle to prevent from falling off while moving the appliance.
4. Move the appliance with more than two people carefully. When transporting the appliance over a long distance, keep the appliance upright.
5. After installing the appliance, connect the power plug into a socket out to switch on the appliance.

ATTENTION

Precautions before operation:

Before making changes the refrigerator must be disconnected from power.

Precautions should be taken to prevent any personal injury.

Changing the light

- Any replacement or maintenance of the LED lamps is intended to be made by the manufacturer, its service agent or similar qualified person.

ATTENTION

This product contains a light source of energy efficiency class (G).

Connecting the appliance

After installing the appliance, connect the power plug into a socket outlet.

ATTENTION

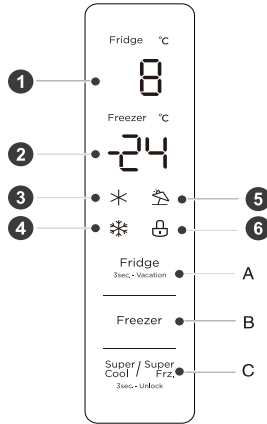
After connecting the power supply cord (or plug) to the outlet, wait 2 or 3 hours before you put food into the appliance. If you add food before the appliance has cooled completely, your food may spoil.

Tips for energy saving

- Do not place the appliance near cookers, radiators or other heat sources. If the ambient temperature is high, the compressor will run more frequently and for longer, resulting in increased energy consumption.
- Ensure that there is sufficient ventilation at the base of the appliance, on the sides of the appliance and at the back of the appliance. Never cover ventilation openings.
- Please also observe the spacing dimensions in the chapter “Installation”.
- The arrangement of drawers, shelves and racks as shown in the illustration offers the most efficient use of energy and should therefore be retained as far as possible. All drawers and shelves should remain in the appliance to keep the temperature stable and save energy.
- To obtain a larger storage space (e.g. for large refrigerated/frozen goods), the middle drawers can be removed. The top and bottom drawers and shelves should be removed last if necessary.
- An evenly filled refrigerator/freezer compartment contributes to optimal energy use. Therefore, avoid empty or half-empty compartments.
- Allow warm food to cool before placing it in the refrigerator/freezer. Food that has already cooled down increases energy efficiency.
- Allow frozen food to defrost in the refrigerator. The coldness of the frozen food reduces the energy consumption in the refrigerator compartment and thus increases the energy efficiency.
- Open the door only as briefly as necessary to minimise cold loss. Opening the door briefly and closing it properly reduces energy consumption.
- The door seals of your appliance must be perfectly intact so that the doors close properly and energy consumption is not increased unnecessarily.

OPERATION INSTRUCTIONS

Control panel




	Display		Button
1	Refrigerating chamber temperature display area	A	Temperature setting button of refrigerating chamber
2	Freezing chamber temperature display area	B	Temperature setting button of freezing chamber
3	Super cool icon	C	Super cool/super freezing button
4	Super freeze icon		
5	Vacation icon		
6	Lock icon		

ATTENTION

The actual control panel may differ from model to model.

Display

- The first time the power was turn on for the refrigerator, the display screen will total display for 3 seconds. Then the screen enters the normal display of the operation. The first time for using the refrigerator, temperatures of refrigerating chamber, temperature and freezing chamber should be set at 5° C/-18 °C respectively.
- When the error occurs, the display panel shows the error code (see next page), during normal running, the display panel shows the set temperature of refrigerating chamber, freezing chamber.
- Under normal circumstances, if there is no any manual operation on refrigerator last for 30 seconds, the control panel will lock itself automatically, and in locked state, the display light  will go out after 30 seconds.

Lock / unlock

- In the non-locking state, press and hold the button ^{Super / Super}_{Cool / Frz.} for 3 seconds to enter the locked state and the lock buzzer will sound.
- In the locked state, press and hold the button ^{Super / Super}_{Cool / Frz.} for 3 seconds to enter the unlocked state and the unlocking buzzer will sound.
- After 30 seconds of no button operation, it will automatically enter the locked state, and the external display board with amusic buzzer will sound the lock buzzer at the same time.
- The alarm sound release operation can be carried out in the locked state, and all other key operations must be carried out in the unlocked state.
- If the operation is in the locked state, an error buzzer will be displayed.

Temperature setting of refrigerating chamber

- Click the button ^{Fridge}_{3sec - Vacation} to change the set temperature of refrigerating chamber, each click of temperature adjusting button of the refrigerating chamber, the set temperature will be reduced 1°C.
- The temperature setting range of refrigerating chamber is 2°C ~ 8°C. When the set temperature is 2°C.
- Click the button again, the set temperature of refrigerating chamber will switch to 8°C.

Temperature setting of freezing chamber

- Click the button Freezer to change the set temperature of freezing chamber, each click of temperature adjusting button of the freezing chamber, the set temperature will be reduced 1°C.
- The temperature setting range for freezing chamber is -24 ~ -16°C.
- When the temperature is -24°C, click the button again, the set temperature of freezing chamber will switch to -16°C.

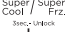
ATTENTION

Recommended setting: refrigerating chamber 4°C, freezing chamber -18°C.

Vacation mode

- Long press the refrigeration temperature adjustment button(3s) to set/cancel the holiday mode.
- When setting the holiday mode, the refrigeration is turned off, the refrigeration temperature display area is extinguished, and the freezing is automatically set to -18°C;
- Adjusting the refrigeration/freezing/super cool and super freezer buttons will exit the holiday mode.
- When exiting the holiday mode, the refrigeration set temperature will automatically return to the set temperature before the holiday mode; the freezing set temperature will automatically return to the set temperature before the holiday mode; enter the normal operation mode.

Super freeze mode

- Super cool and super freezer mode, press the  button, the setting sequence is: super cool ->super freezer -> cancel.
- When setting/cancelling the super cool mode, the corresponding super cool icon is on/off.
- When setting the super cool mode, the refrigeration is automatically set to 2°C.
- When exiting the super-cool mode, the set temperature of the refrigerating room will automatically return to the set temperature before the quickcooling mode.
- When the super-freezer mode is set, the corresponding superfreezer icon is lit.
- When the super-freezer mode is set, the freezing is automatically set to -24°C.
- When exiting the super-freezer mode, the set temperature of the freezer compartment will automatically return to the set temperature before the superfreezer mode.
- Super cool mode automatically disabled for 6h.
- Super freezer mode automatically disabled for 24h.

ATTENTION

The super-freezing function is designed to maintain the nutritional value of the food in the freezer. It can freeze the food in the shortest time. If a large amount of food is frozen at one time, it is recommended that the user turn on the super-freezing function and put the food in. At this time, the freezing speed of the freezer compartment is increased, which can quickly freeze the food, effectively lock the nutrition of the food, and facilitate storage.

Opening warning and alarm control

- If the refrigerator door is open for 120 seconds without closing, the buzzer will alarm until the refrigerator door is closed; any key will cancel the buzzer alarm.

Fault indication

- The following warnings appearing on the display indicate corresponding faults of the refrigerator. Though the refrigerator may still have cold storage function with the following faults, the user shall contact a maintenance specialist for maintenance, so as to ensure optimized operation of the appliance.

Fault code	Fault Description
E1	Temperature sensor failure of refrigerating chamber
E2	Temperature sensor failure of freezing chamber
E3	Temperature sensor failure of meat & fish zone
E5	Freezing defrost sensor detection circuit error
E6	Communication error
E7	Ambient temperature sensor error

Tips on storing food

Freezer compartment

- The freezer is designated for the storage of food frozen at very low temperature, long-term storage of frozen food, and for the production of ice.
- Only use the shelves in the door of the freezer to store frozen food, not for storing hot food designated for freezing.
- Do not put fresh and frozen food next to each other. The frozen food may thaw.
- When freezing fresh food (such as meat, fish or chopped meat), cut them into parts that can be used at the same time.
- Storing frozen food: instructions are usually stated on the packages, which must be followed. If there is no information on the packaging, food should not be stored for longer than three months from the date of purchase.
- When purchasing frozen food, make sure that it was frozen at a suitable temperature and that the packaging is not damaged.
- Frozen food should be kept in suitable packages to retain the quality and should be returned to the freezer compartment as soon as possible.
- If a package of frozen food shows moisture or abnormal bulging, it is probable that it was stored at the wrong temperature and the content is spoiled.
- The storage period for frozen food depends on the room temperature, the thermostat setting, the frequency of opening the door of the freezer, the type of food and the time of transporting the product from the shop to the household. Always follow the instructions printed on the packaging and never exceed the maximum storage time stated on the package.

Cooling compartment

- To reduce moisture and subsequent ice build-up, never put liquid into the refrigerator in unsealed containers. Frost tends to concentrate in the coolest parts of the evaporator. Storing uncovered liquids results in a more frequent need for defrosting.
- Never put warm foods in the refrigerator. These should first cool down at room temperature and then be placed so as to ensure adequate air circulation in the refrigerator.
- Foods or food containers should not touch the back wall of the refrigerator because they could freeze to the wall. Do not keep regularly opening the door of the refrigerator.
- Meat and clean fish (packed in a package or plastic foil) can be placed in the refrigerator, which can be used in 1-2 days.
- Fruit and vegetables without packaging can be placed in the part designated for fresh fruit and vegetables.

ATTENTION

The optimal temperature setting of each compartment depends on the ambient temperature. Above optimal temperature is based on the ambient temperature of 25 °C.

Order	Compartments TYPE	Target storage temp. [°C]	Appropriate food
1	Fridge	+2 - +8	Eggs, cooked food, packaged food, fruits and vegetables, dairy products, cakes, drinks and other foods are not suitable for freezing.
2	(***)*-Freezer	≤-18	Seafood (fish, shrimp, shellfish), freshwater aquatic products and meat products (recommended for 3 months, the longer the storage time, the worse the taste and nutrition), suitable for frozen fresh food.
3	***-Freezer	≤-18	Seafood (fish, shrimp, shellfish), freshwater aquatic products and meat products (recommended for 3 months, the longer the storage time, the worse the taste and nutrition), suitable for frozen fresh food.
4	** -Freezer	≤-12	Seafood (fish, shrimp, shellfish), freshwater aquatic products and meat products (recommended for 3 months, the longer the storage time, the worse the taste and nutrition), suitable for frozen fresh food.
5	*-Freezer	≤-6	Seafood (fish, shrimp, shellfish), freshwater aquatic products and meat products (recommended for 3 months, the longer the storage time, the worse the taste and nutrition), suitable for frozen fresh food.
6	O-star	-6 - 0	Fresh pork, beef, fish, chicken, some packaged processed foods, etc. (Recommended to eat within the same day, preferably no more than 3 days). Partially encapsulated processed foods (non-freezable foods).
7	Chill	-2 - +3	Fresh/ frozen pork, beef, chicken, freshwater aquatic products, etc. (7 days below 0°C and above 0°C is recommended for consumption within that day, preferably no more than 2 days).Seafood (less than 0 for 15 days, it is not recommended to store above 0°C).
8	Fresh food	0 - +4	Fresh pork, beef, fish, chicken, cooked food, etc. (Recommended to eat within the same day, preferably no more than 3 days)
9	Wine	+5 - +20	Red wine, white wine, sparkling wine, etc.

ATTENTION

please store different foods according to the compartments or target storage temperature of your purchased.

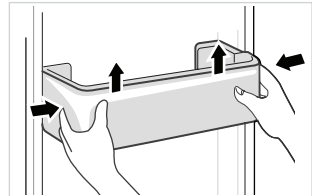
CLEANING AND MAINTENANCE

Defrosting

- The refrigerator is made based on the air-cooling principle and thus has automatic defrosting function. Frost formed due to change of season or temperature may also be manually removed by disconnection of the appliance from power supply or by wiping with a dry towel.

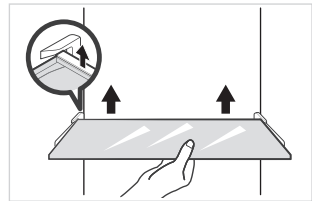
Cleaning of door tray

- According to the direction arrow in the figure below, use both hands to squeeze the tray, and push it upward, then you can take it out.
- After washing the tray having been taken out, you can adjust its installing height in accordance with your requirement.



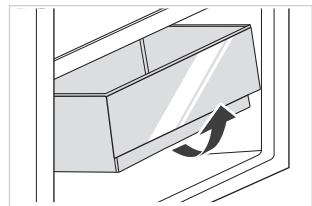
Cleaning of glass shelf

- As the innermost part of the refrigerator liner where contacting the shelves has a backstop, you shall raise the shelves upward, then you can be able to take it out.
- Adjust or clean the shelves according to your requirement.



Cleaning the vegetable drawer

1. Remove the contents of the drawer. Hold the handle of the vegetable drawer and pull it out completely until it stops.
2. Lift the vegetable drawer up and remove it by pulling it out.



ATTENTION

Soft towels or sponge dipped in water and non-corrosive neutral detergents are suggested for cleaning. The freezer shall be finally cleaned with clean water and dry cloth. Open the door for natural drying before the power is turned on. Do not use hard brushes, clean steel balls, wire brushes, abrasives, such as toothpastes, organic solvents (such as alcohol, acetone, banana oil, etc.), boiling water, acid or alkaline items clean refrigerator considering that this may damage the fridge surface and interior.

TROUBLESHOOTING

The following simple issues can be handled by the user. Please call the after-sale service department if the issues are not solved.

Problem	Possible reason
Failed operation	<ul style="list-style-type: none"> • Check whether the appliance is connected to power or whether the plug is in well contact.
	<ul style="list-style-type: none"> • Check whether the voltage is too low.
	<ul style="list-style-type: none"> • Check whether there is a power failure or partial circuits have tripped.
Odor	<ul style="list-style-type: none"> • Odorous foods shall be tightly wrapped.
	<ul style="list-style-type: none"> • Check whether there is any rotten food.
	<ul style="list-style-type: none"> • Clean the inside of the refrigerator.
Long-time operation of the compressor	<ul style="list-style-type: none"> • Long operation of the refrigerator is normal in summer.
	<ul style="list-style-type: none"> • when the ambient temperature is high it is not suggestible having too much food in the appliance at the same time.
	<ul style="list-style-type: none"> • Food shall get cool before being put into the appliance.
	<ul style="list-style-type: none"> • The doors are opened too frequently.
Light fails to get lit	<ul style="list-style-type: none"> • Check whether the refrigerator is connected to power supply and whether the illuminating light is damaged.
	<ul style="list-style-type: none"> • Have the light replaced by a specialist.
Door can not be properly closed	<ul style="list-style-type: none"> • The door is stuck by food packages too much food is placed.
	<ul style="list-style-type: none"> • The refrigerator is tilted.
Loud noises	<ul style="list-style-type: none"> • Check whether the floor is level and whether the refrigerator is placed stably.
	<ul style="list-style-type: none"> • Check whether accessories are placed at proper locations.

Problem	Possible reason
Door seal fails to be tight	<ul style="list-style-type: none"> Remove foreign matters on the door seal.
	<ul style="list-style-type: none"> Heat the door seal and then cool it for restoration (or blow it with an electrical drier or use a hot towel for heating).
Water pan overflows	<ul style="list-style-type: none"> There is too much food in the chamber or food stored contains too much water,resulting in heavy defrosting.
	<ul style="list-style-type: none"> The doors are not closed properly, resulting in frosting due to entry of air and increased water due to defrosting.
Hot housing	<ul style="list-style-type: none"> Heat dissipation of the built-in condenser via the housing, which is normal. When housing becomes hot due to high ambient temperature, storage of too much food or shutdown of the compressor is shut down, provide sound ventilation to facilitate heat dissipation.
Surface condensation	<ul style="list-style-type: none"> Condensation on the exterior surface and door seals of the refrigerator is normal when the ambient humidity is too high. Just wipe the condensate with a clean towel.
Abnormal noise	<ul style="list-style-type: none"> Buzz: The compressor may produce buzzes during operation, and the buzzes are loud particularly upon start or stop. This is normal.
	<ul style="list-style-type: none"> Creak: Refrigerant flowing inside of the appliance may produce creak, which is normal.

APPENDIX

Special for new European standard

The ordered parts in the following table can be acquired from Service provider channel.

Ordered part	Provided by	Minimum time required for Provision
Thermostats	Professional maintenance personnel	At least 7 years after the last model is launched on the market
Temperature sensors	Professional maintenance personnel	At least 7 years after the last model is launched on the market
Printed circuit boards	Professional maintenance personnel	At least 7 years after the last model is launched on the market
Light sources	Professional maintenance personnel	At least 7 years after the last model is launched on the market
Door handles	Professional repairers and final users	At least 7 years after the last model is launched on the market
Door hinges	Professional repairers and final users	At least 7 years after the last model is launched on the market
Trays	Professional repairers and final users	At least 7 years after the last model is launched on the market
Baskets	Professional repairers and final users	At least 7 years after the last model is launched on the market
Door gaskets	Professional repairers and final users	At least 10 years after the last model is launched on the market

Dear customer

1. If you want to return or replace the product, please contact the store where you buy.

(Remember to bring the purchase invoice)

2. If your product breaks down which needs to repair, please contact after-sales service provider.

ATTENTION

The model information in the product database, as well as the model identifier, can be obtained through a weblink scanned by a QR code, if any, on the energy efficiency label of the product.

For more information about the energy efficiency of the appliance, visit <https://ec.europa.eu> and search using the model name.

The model name can be found on the rating label of the appliance.



make yourself at home



www.midea.com

© Midea 2022 all rights reserved