

Range Hood

# USER MANUAL

MVU30W6AST

Warning notices: Before using this product, please read this manual carefully and keep it for future reference. The design and specifications are subject to change without prior notice for product improvement. Consult with your dealer or manufacturer for details. The diagram above is just for reference. Please take the appearance of the actual product as the standard.

## THANK YOU LETTER

Thank you for choosing Midea! Before using your new Midea product, please read this manual thoroughly to ensure that you know how to operate the features and functions that your new appliance offers in a safe way.

# CONTENTS

<b>THANK YOU LETTER</b>	01
<b>SAFETY INSTRUCTIONS</b>	02
<b>SPECIFICATIONS</b>	05
<b>PRODUCT OVERVIEW</b>	06
<b>PRODUCT INSTALLATION</b>	08
<b>OPERATION INSTRUCTIONS</b>	12
<b>CLEANING AND MAINTENANCE</b>	13
<b>TROUBLE SHOOTING</b>	15
<b>TRADEMARKS, COPYRIGHTS AND LEGAL STATEMENT</b>	16
<b>DISPOSAL AND RECYCLING</b>	16
<b>DATA PROTECTION NOTICE</b>	17

# SAFETY INSTRUCTIONS

## Intended Use

The following safety guidelines are intended to prevent unforeseen risks or damage from unsafe or incorrect operation of the appliance. Please check the packaging and appliance on arrival to make sure everything is intact to ensure safe operation. If you find any damage, please contact the retailer or dealer. Please note modifications or alterations to the appliance are not allowed for your safety concern. Unintended use may cause hazards and loss of warranty claims.

## Explanation of Symbols



### Danger

This symbol indicates that there are dangers to the life and health of persons due to extremely flammable gas.



### Warning of electrical voltage

This symbol indicates that there is a danger to life and health of persons due to voltage.



### Warning

The signal word indicates a hazard with a medium level of risk which, if not avoided, may result in death or serious injury.



### Caution

The signal word indicates a hazard with a low degree of risk which, if not avoided, may result in minor or moderate injury.



### Attention

The signal word indicates important information (e.g. damage to property), but not danger.



### Observe instructions

This symbol indicates that a service technician should only operate and maintain this appliance in accordance with the operating instructions.

Read these operating instructions carefully and attentively before using/commissioning the unit and keep them in the immediate vicinity of the installation site or unit for later use!

## INTENDED FOR RESIDENTIAL COOKING USE ONLY

### WARNING

WARNING alerts you to situations that may cause serious body harm, death or property damage.

### IMPORTANT

IMPORTANT indicates installation, operation, maintenance or valuable information that is not hazard related.

### CAUTION

CAUTION indicates a potentially hazardous situation which, if not avoided, may result in minor or moderate injury.

### WARNING

#### **TO REDUCE THE RISK OF FIRE, ELECTRIC SHOCK, OR INJURY TO PERSONS, OBSERVE THE FOLLOWING:**

1. Use this unit only in the manner intended by the manufacturer. If you have questions, contact the manufacturer.
2. Before servicing or cleaning the unit, switch power off at service panel and lock service panel disconnecting means to prevent power from being switched on accidentally. When the service disconnecting means cannot be locked, securely fasten a prominent warning device, such as a tag, to the service panel.
3. Installation Work and Electrical Wiring Must Be Done By Qualified Person(s) In Accordance With all Applicable Codes & Standards, Including Fire-rated Construction.
4. Sufficient air is needed for proper combustion and exhausting of gases through the flue (Chimney) of fuel burning equipment to prevent back-drafting. Follow the heating equipment manufacturers guideline and safety standards such as those published by the National Fire

Protection Association (NFPA), the American Society for Heating, Refrigeration and Air Conditioning Engineers (ASHRAE), and the local code authorities.

5. When cutting or drilling into wall or ceiling, do not damage electrical wiring and other hidden utilities.
6. Ducted fans must always be vented to the outdoors.
7. Do not use this unit with any solid-state speed control device.
8. TO REDUCE THE RISK OF FIRE , USE ONLY METAL DUCTWORK.
9. This unit must be grounded. This appliance is equipped with a cord having a grounding wire with a grounding plug. The plug must be plugged into an outlet that is properly installed and grounded.
10. Do not use an extension cord. If the power supply cord is too short, have a qualified electrician install an outlet near the appliance.
11. When applicable local regulations comprise more restrictive installation and/or certification requirements, the aforementioned requirements prevail on those of this document and the installer agrees to conform to these at his own expense.

#### **TO REDUCE THE RISK OF A RANGE TOP GREASE FIRE:**

- a) Never leave surface units unattended at high settings. Boilovers cause smoking and greasy spillovers that may ignite. Heat oils slowly on low or medium settings.
- b) Always turn hood ON when cooking at high heat or when flambéing food (i.e.: Crêpes Suzette, Cherries Jubilee, Peppercorn Beef Flambé).
- c) Clean ventilating fans frequently. Grease should not be allowed to accumulate on fan, filters or in exhaust ducts.
- d) Use proper pan size. Always use cookware appropriate for the size of the surface element.

## READ AND SAVE THESE INSTRUCTIONS

### WARNING

**TO REDUCE THE RISK OF INJURY TO PERSONS, IN THE EVENT OF A RANGE TOP GREASE FIRE, OBSERVE THE FOLLOWING:**

1. **SMOTHER FLAMES** with a close-fitting lid, cookie sheet, or other metal tray, then turn off the gas burner or the electric element. **BE CAREFUL TO PREVENT BURNS.** If the flames do not go out immediately, **EVACUATE AND CALL THE FIRE DEPARTMENT.**
2. **NEVER PICK UP A FLAMING PAN-** you may be burned.
3. **DO NOT USE WATER,** including wet dishcloths or towels - a violent steam explosion will result.
4. Use an extinguisher **ONLY** if:
  - A. You know you have a class ABC extinguisher, and you already know how to operate it.
  - B. The fire is small and contained in the area where it started.
  - C. The fire department is being called.
  - D. You can fight the fire with your back to an exit.
5. Based on "Kitchen Fire Safety Tips" published by NFPA.

### WARNING

Use only with rangehood cord-connection kits that have been investigated and found acceptable for use with this model rangehood.

### WARNING

#### **GROUNDING INSTRUCTIONS**

This appliance must be grounded. In the event of an electrical short circuit, grounding reduces the risk of electric shock by providing an escape wire for the electric current. This appliance is equipped with a cord having a grounding wire with a grounding plug. The plug must be plugged into an outlet that is properly installed and grounded.

WARNING-Improper grounding can result in a risk of electric shock. Consult a qualified electrician if the grounding instructions are not completely understood, or if doubt exists as to whether the appliance is properly grounded. Do not use an extension cord. If the power supply cord is too short, have a qualified electrician install an outlet near the appliance.

### CAUTION

1. For indoor use only.
2. For general ventilating use only. Do not use to exhaust hazardous or explosive materials and vapors.
3. To avoid motor bearing damage and noisy and/or unbalanced impeller, keep drywall spray, construction dust, etc. off power unit.
4. Install the vent hood in a location away from strong drafts, such as windows, door, and strong HVAC vent for best performance
5. The minimum hood distance above cooktop must not be less than 25-5/8". For best capture of cooking impurities, the bottom of the hood should be at a maximum of 29-1/2" above cooking surface.
6. Two installers are recommended because of the large size and weight of this unit.
7. To reduce the risk of fire and to properly exhaust air, be sure to duct air outside — Do not exhaust air into spaces within walls or ceiling or into attics, crawl space or garage.
8. Because of the high exhausting capacity of this unit, you should make sure enough air is entering the house to replace exhausted air by opening a window close to or in the kitchen.
9. Always leave safety grills and filters in place. Without these components, operating blowers could catch onto hair, fingers and loose clothing.
10. The vent hood and filters should be cleaned frequently.

# SPECIFICATIONS

<b>Product Model</b>	<b>MVU30W6AST</b>
Voltage	120V-/60Hz
Rated Power	91.5 W
Lighting Power	1.5 W
Motor Input Power	90 W
Diameter of air tube	4.7"
Air flow	200CFM
Noise	≤69 dB(A)

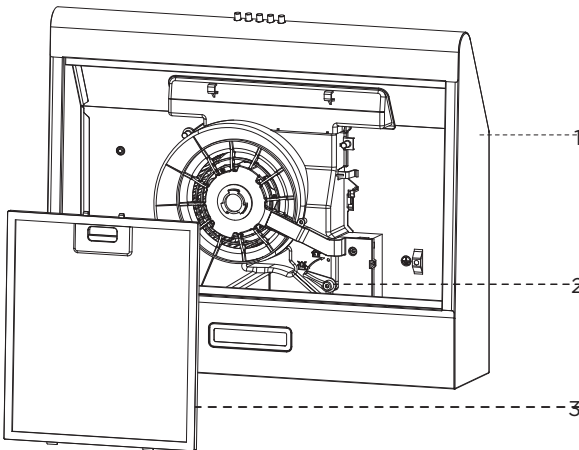
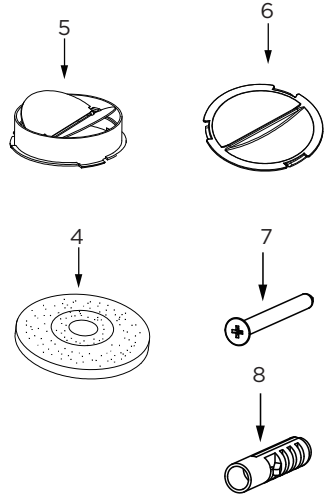
---

# PRODUCT OVERVIEW

## Components

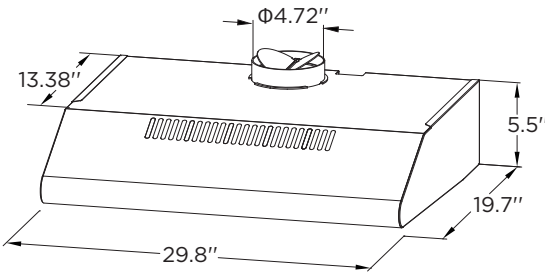
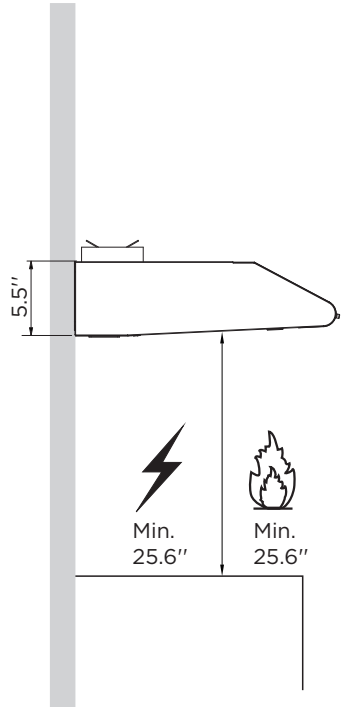
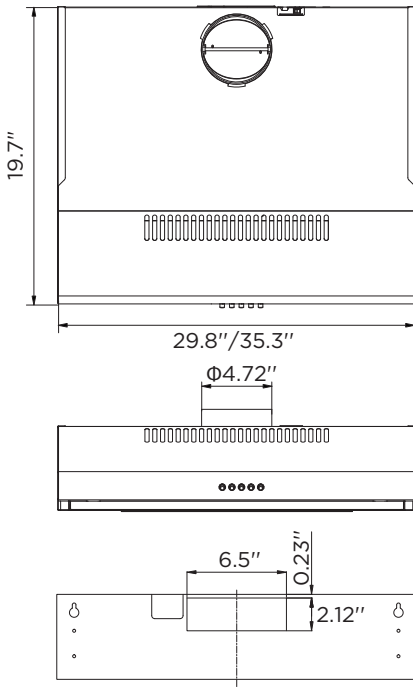
Ref.	Qty.	Product Components
1	1	Main Body
2	1	Venting Knob
3	2	Grease filter

Ref.	Qty.	Installation Components
4	1	Carbon Filter (12173000000039)
5	1	Check Valve
6	1	Air Outlet Cap
7	4	Screws M5 x 1.97"
8	4	Plastic Wall Plugs



# Dimensions

unit: inch

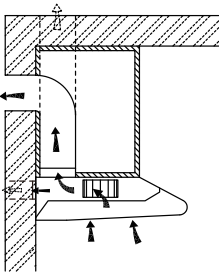


# PRODUCT INSTALLATION

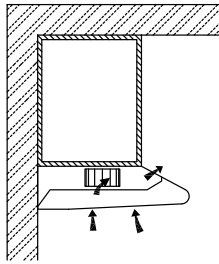
## Wall Drilling And Bracket Fixing

- Please read the instructions carefully.
- Unpack the canopy and check that all functions are working. Ensure that the voltage (V) and the frequency (Hz) indicated on the serial plate match the voltage and frequency at the installation site.
- Check that the area behind the installation surface to be drilled is clear of any electrical cables or pipes, etc.
- The stainless steel and glass surfaces of the canopy are very easily damaged during installation if grazed or knocked by tools. Please take care to protect the surfaces during installation.
- Protect the cooktop surface below, to prevent damage occurring while the wall canopy is being installed above.
- The manufacturer shall not be liable for failure to observe all safety regulations for the correct and normal operation of electrical parts.

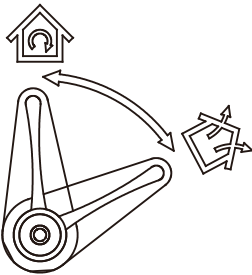
### Choose a venting mode:





**Extraction-air (out door) venting option**



**Recirculation Venting option**

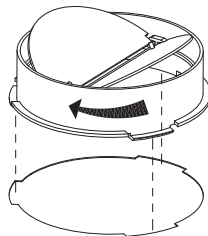


**Venting knob position**

	Extraction-air mode: Turn the venting knob here means venting outside
	Circulating-air mode: Turn the venting knob here means recirculation

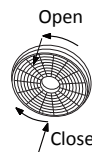
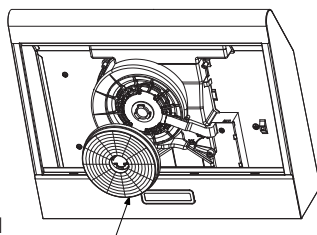
## Check Valve Installation

- Align check valve tabs with corresponding cut outs in hood. Push down and turn check valve clockwise until it locks in place.



## Installing the Carbon Filter

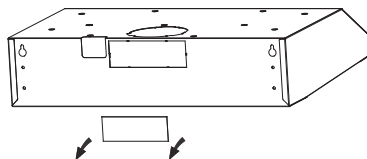
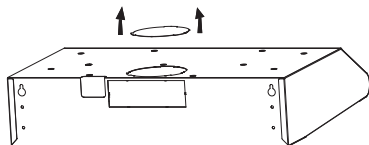
- Remove the grease filter.
- The charcoal filter is located over the motor. Turn the filter counter clockwise to remove.
- Replace a new carbon filter, apply Close reverse procedure for re installation.  
**Warning:** The carbon filter cannot be washed or recycled. It should be replaced after approximately 2-3 months of use..  
**Remark:** Carbon filter is not supplied with your appliance. The service part number of carbon filter is 12173000000039.



Carbon Filter

## Information

- Sufficient air is needed for proper combustion and exhausting of gases through the flue (chimney) of fuel burning equipment to prevent back drafting. Ductless fans must always be vented to the outdoors.
- When assessing the air pressure, the entire ventilation system in the house/apartment must be taken into account, e.g. hob and/or gas cooker, this rule does not apply.
- Government regulations must be observed for the conveyance of exhaust air. If the extractor hood is used in circulating air mode with activated carbon filter, there are no operating restrictions.
- If you choose extraction-air mode, there are two methods for ventilation, including 'horizontal ventilation' and 'vertical ventilation'. Please take out the cover before using and install check valve in the hole.
- The square air check valve for horizontal ventilation is not supplied.

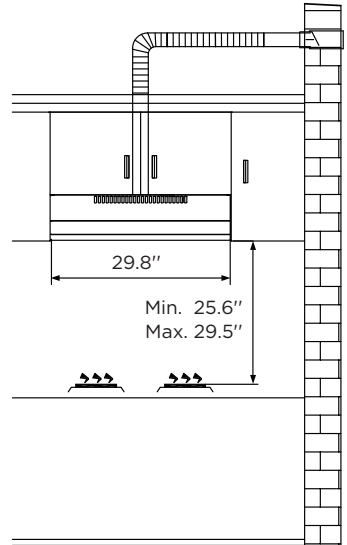


### Prepare the installation:

- Ensure the power has been turned off before beginning this installation. Electrical outlet must be located in an area that the power cord/plug can easily get routed to and plugged into.
- To install this hood you will require two assistants. You will need following tools and material to complete this installation.

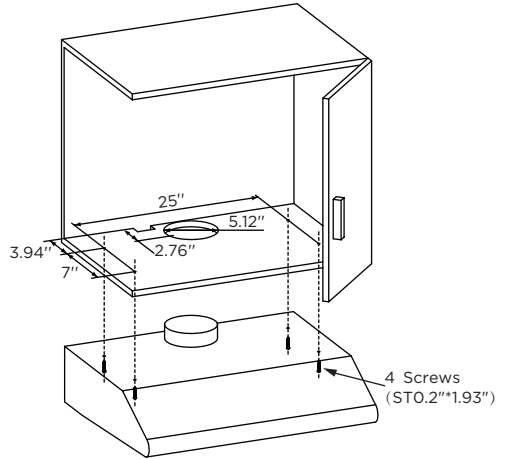
### Tools you will need:

- Drill appropriate to your wall
  - Phillips Screwdriver
  - Tape Measure
  - Hand Saw or Jig Saw
- Installation work and electrical wiring must be done by qualified person(s) in accordance with all applicable codes and standards, including fire rated construction.
  - Do not discharge the exhaust air into a flue from other appliances burning gas or other fuels.
  - Regulations concerning the discharge of air have to be fulfilled.
  - The cooker hood must be placed at a minimum distance of 25.6" above the cooking surface of a hob.
  - The cooker hood must be placed at a maximum distance of 29.5" above the cooking surface of a hob.



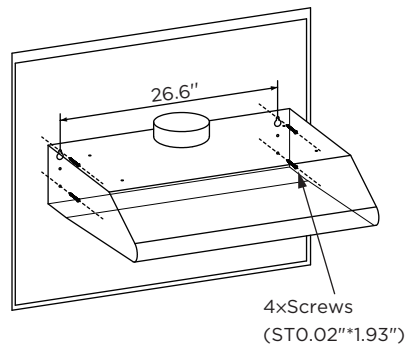
## Cupboard Mounting Installation

- **ATTENTION:** If your cooker hood works at circulating-air mode, it is not necessary to drill 5.12" diameter hole. Drill a 5.12" diameter, four 0.14" diameter hole and a square hole match your plug with the vent hole on the top of the cooker hood in the middle as below picture.
- **Warning:** Failure to install the screws or fixing device in accordance with these instructions may result in electrical hazards.
- Use the 4 screws to fix the cooker hood to a kitchen cupboard. Check that your fixings are correctly located, by temporarily fitting the cooker hood. If correct, fit the unit into position.
- Tighten the screws if necessary.



## Wall Mounting Installation

- To mount on the wall, drill two 3.94" diameter holes 26.6" with the vent hole on the top of the cooker hood in the middle as below picture. Make sure the hood is aligned directly over the hob.
- Insert two plastics wall plugs(supplied) into the holes.
- Insert two screws into the upper two plastic wall plugs and tighten them leaving 1.18" protruding from the wall.
- Mount the cooker hood onto the two screws and mark the bottom two screw positions.
- Remove the hood and drill the bottom two screw holes and Insert the plastic wall plugs.
- Mount the hood on the top screws, Insert the bottom screws and fully tighten all the screws.



# OPERATION INSTRUCTIONS

## Switch



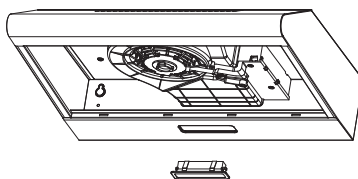
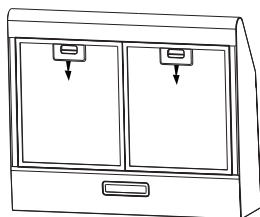
①	OFF MOTOR SWITCH: Press on this switch to stop the motor operation.
✂	SPEED SWITCH: Press on this switch, the motor runs at LOW speed.
✂	SPEED SWITCH: Press on this switch, the motor runs at MEDIUM speed.
✂	SPEED SWITCH: Press on this switch, the motor runs at HIGH speed.
💡	ON/OFF LIGHTING SWITCH: Press on this switch to turn on the lights, and press again to turn them off.

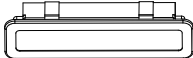
# CLEANING AND MAINTENANCE

## Lighting

### LIGHT REPLACEMENT

- Disconnect range hood from power supply.
- Remove the grease filter.
- Remove the light by pushing it out from the hood body (this may require pressure or force to be applied).
- Disconnect the connector of the light.
- Replace the light (17473000A00881) with a new one of the same type, making sure that you connect the light with the light cable correctly.
- Reconnect range hood to power supply.



	Max Power	Voltage	Picture	Lamp Cap	ILCOSD code
LED modules, separate ballast	1.5W	120V-	 Square/Diameter: 33.2mmx120mm 17473000A00881	---	DSH-1.5-S-33.2/120

## Cleaning And Maintenance

**Disconnect range hood from power supply before cleaning or servicing.**

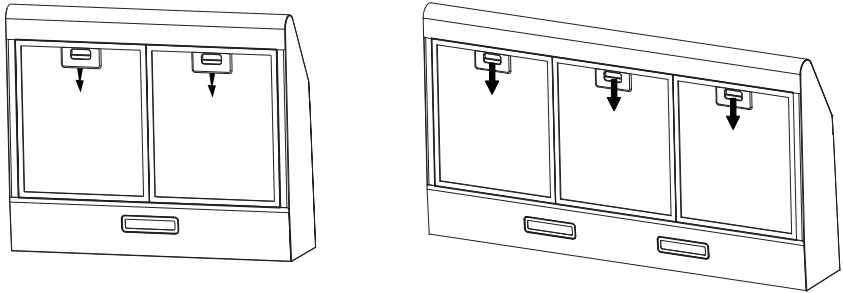
- Cleaning the surface of hood frequently. Use mild soap or detergent to clean the hood.
- Do not use harsh alkalis or abrasives.
- Avoid the use of scouring powers or dishwasher compounds.
- Grease filter may be washed using mild soap or detergent. (Heavy grease build-up may not be cleaned easily and the filter may require replacement).
- Charcoal filter cannot be cleaned and must be replaced regularly.

### Information

- Cleaning water must not enter into motor, control switch etc. electrical parts.

It is recommended to clean the metallic filter every three months by carrying out the following instruction:

- Remove the metallic filter from the cooker hood and wash it in a solution of water and neutral liquid detergent, leaving to soak.
- Rinse thoroughly with warm water and leave to dry.
- The metallic filter may alter in color after several washes. This is not cause for customer complaint or replacement of metallic filter.




**!** **Information**

- There is a fire risk if cleaning is not carried out in accordance with the instructions.

# TROUBLESHOOTING

Problem	Possible reason	Solution
Light on, but motor does not work	<ul style="list-style-type: none"> <li>The blades are blocked.</li> </ul>	Disconnect power supply before checking blades for obstruction.
	<ul style="list-style-type: none"> <li>The capacitor is damaged.</li> </ul>	Call Customer Support.
	<ul style="list-style-type: none"> <li>The motor is damaged.</li> </ul>	Call Customer Support.
	<ul style="list-style-type: none"> <li>The internal wiring of motor is cut off/ disconnected. An unpleasant smell may be produced. Disconnect power supply.</li> </ul>	Call Customer Support.
Both light and motor do not work	<ul style="list-style-type: none"> <li>Apart from the above mentioned, check the following:</li> </ul>	
	<ul style="list-style-type: none"> <li>Light damaged.</li> </ul>	Replace lights.
	<ul style="list-style-type: none"> <li>Power cord loose.</li> </ul>	Check power supply and house electrical outlets.
Vibration	<ul style="list-style-type: none"> <li>The blade, if damaged, can cause vibrating.</li> </ul>	Call Customer Support.
	<ul style="list-style-type: none"> <li>The motor is not tightly fastened.</li> </ul>	Call Customer Support.
	<ul style="list-style-type: none"> <li>The cooker hood is not tightly fixed.</li> </ul>	Check installation.
Insufficient suction	<ul style="list-style-type: none"> <li>The distance between the cooker hood and the cooker top is too large.</li> </ul>	Readjust the distance : see requirements for minimum and max distance on page 7.
	<ul style="list-style-type: none"> <li>Too much ventilation from open doors or windows.</li> </ul>	Choose a new place to install the appliance or close some doors / windows.
The machine is not level.	<ul style="list-style-type: none"> <li>The screws securing the hood into the cabinet are not tight enough.</li> </ul>	Tighten the screws securing the hood into the cabinet and make it horizontal.
	<ul style="list-style-type: none"> <li>The screws securing the hood to the rear wall are not tight enough.</li> </ul>	Tighten the screws securing the hood to the rear wall and make it horizontal.

# TRADEMARKS, COPYRIGHTS AND LEGAL STATEMENT

 Midea logo, word marks, trade name, trade dress and all versions thereof are valuable assets of Midea Group and/or its affiliates (“Midea”), to which Midea owns trademarks, copyrights and other intellectual property rights, and all goodwill derived from using any part of an Midea trademark. Use of Midea trademark for commercial purposes without the prior written consent of Midea may constitute trademark infringement or unfair competition in violation of relevant laws.

This manual is created by Midea and Midea reserves all copyrights thereof. No entity or individual may use, duplicate, modify, distribute in whole or in part this manual, or bundle or sell with other products without the prior written consent of Midea.

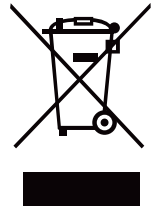
All the described functions and instructions were up to date at the time of printing this manual. However, the actual product may vary due to improved functions and designs.

## DISPOSAL AND RECYCLING

### **Important instructions for environment**

Compliance with the WEEE Directive and Disposing of the Waster Product:  
This product complies with EU WEEE Directive (2012/19/EU). This product bears a classification symbol for waster electrical and electronic equipment (WEEE).

This symbol indicates that this product shall not be disposed with other household wastes at the end of its service life. Used device must be returned to official collection point for recycling of electrical electronic devices. To find these collection systems please contact to your local authorities or retailer where the product was purchased. Each household performs important role in recovering and recycling of old appliance. Appropriate disposal of used appliance helps prevent potential negative consequences for the environment and human health.

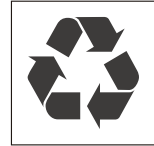


## Compliance with RoHS Directive

The product you have purchased complies with EU RoHS Directive (2011/65/EU). It does not contain harmful and prohibited materials specified in the Directive.

## Package information

Packaging materials of the product are manufactured from recyclable materials in accordance with our National Environment Regulations. Do not dispose of the packaging materials together with the domestic or other wastes. Take them to the packaging material collection points designated by the local authorities.



# DATA PROTECTION NOTICE

For the provision of the services agreed with the customer, we agree to comply without restriction with all stipulations of applicable data protection law, in line with agreed countries within which services to the customer will be delivered, as well as, where applicable, the EU General Data Protection Regulation (GDPR).

Generally, our data processing is to fulfil our obligation under contract with you and for product safety reasons, to safeguard your rights in connection with warranty and product registration questions. In some cases, but only if appropriate data protection is ensured, personal data might be transferred to recipients located outside of the European Economic Area.

Further information are provided on request. You can contact our Data Protection Officer via **MideaDPO@midea.com**. To exercise your rights such as right to object your personal data being processed for direct marketing purposes, please contact us via **MideaDPO@midea.com**. To find further information, please follow the QR Code.





*make yourself at home*



[www.midea.com](http://www.midea.com)

16173000A24727