

Range Hood

USER MANUAL

MVG30W8AST

Warning notices: Before using this product, please read this manual carefully and keep it for future reference. The design and specifications are subject to change without prior notice for product improvement. Consult with your dealer or manufacturer for details.

The diagram above is just for reference. Please take the appearance of the actual product as the standard.

THANK YOU LETTER

Thank you for choosing Midea! Before using your new Midea product, please read this manual thoroughly to ensure that you know how to operate the features and functions that your new appliance offers in a safe way.

CONTENTS






THANK YOU LETTER	01
SAFETY INSTRUCTIONS	02
SPECIFICATIONS	05
PRODUCT OVERVIEW	06
PRODUCT INSTALLATION	11
OPERATION INSTRUCTIONS	15
CLEANING AND MAINTENANCE	16
TROUBLE SHOOTING	18
TRADEMARKS, COPYRIGHTS AND LEGAL STATEMENT	19
DISPOSAL AND RECYCLING	19
DATA PROTECTION NOTICE	20

SAFETY INSTRUCTIONS

Intended Use

The following safety guidelines are intended to prevent unforeseen risks or damage from unsafe or incorrect operation of the appliance. Please check the packaging and appliance on arrival to make sure everything is intact to ensure safe operation. If you find any damage, please contact the retailer or dealer. Please note modifications or alterations to the appliance are not allowed for your safety concern. Unintended use may cause hazards and loss of warranty claims.

Explanation of Symbols

	Danger This symbol indicates that there are dangers to the life and health of persons due to extremely flammable gas.
	Warning of electrical voltage This symbol indicates that there is a danger to life and health of persons due to voltage.
	Warning warning alerts you to situations that may cause serious body harm, death or property damage.
	Caution caution indicates a potentially hazardous situation which, if not avoided, may result in minor or moderate injury.
	Attention The signal word indicates important information (e.g. damage to property), but not danger.
	Observe instructions This symbol indicates that a service technician should only operate and maintain this appliance in accordance with the operating instructions.
	Important Important indicates installation, operation, maintenance or valuable information that is not hazard related.

Read these operating instructions carefully and attentively before using/commissioning the unit and keep them in the immediate vicinity of the installation site or unit for later use!



INTENDED FOR RESIDENTIAL COOKING USE ONLY



WARNING

TO REDUCE THE RISK OF FIRE, ELECTRIC SHOCK OR INJURY TO PERSONS, OBSERVE THE FOLLOWING:

- Use this unit only in the manner intended by the manufacturer. If you have questions, contact the manufacturer at the address or telephone number listed in the warranty.
- Before servicing or cleaning unit, unplug and switch power off at service panel and lock service disconnecting means to prevent power from being switched on accidentally. When the service disconnecting means cannot be locked, securely fasten a prominent warning device, such as a tag, to the service panel.
- Installation work and electrical wiring must be done by qualified personnel in accordance with all applicable codes and standards, including fire-rated construction codes and standards.
- Sufficient air is needed for proper combustion and exhausting of gases through the flue (chimney) of fuel burning equipment to prevent backdrafting. Follow the heating equipment manufacturer's guidelines and safety standards such as those published by the National Fire Protection Association (NFPA) and the American Society for Heating, Refrigeration and Air Conditioning Engineers (ASHRAE) and the local code authorities.
- When cutting or drilling into wall or ceiling, do not damage electrical wiring and other hidden utilities.
- Ducted fans must always be vented to the outdoors.
- Do not use this unit with any solid-state speed control device.
- **TO REDUCE THE RISK OF FIRE, USE ONLY METAL DUCTWORK.**
- This unit must be grounded. This appliance is equipped with a cord having a grounding wire with a grounding plug. The plug must be plugged into an outlet that is properly installed and grounded.
- Do not use an extension cord. If the power supply cord is too short, have a qualified electrician install an outlet near the appliance.
- When applicable local regulations comprise more restrictive installation and/or certification requirements, the aforementioned requirements prevail on those of this document and the installer agrees to conform to these at his own expense.

TO REDUCE THE RISK OF A RANGE TOP GREASE FIRE:

- Never leave surface units unattended at high settings. Boilovers cause smoking and greasy spillovers that may ignite. Heat oils slowly on low or medium settings.
- Always turn hood ON when cooking at high heat or when flambing food (i.e.: Crêpes Suzette, Cherries Jubilee, Peppercorn Beef Flambé).
- Clean ventilating fans frequently. Grease should not be allowed to accumulate on fan, filters or in exhaust ducts.
- Use proper pan size. Always use cookware appropriate for the size of the surface element.

TO REDUCE THE RISK OF INJURY TO PERSONS IN THE EVENT OF A RANGE TOP GREASE FIRE, OBSERVE THE FOLLOWING*:

- SMOTHER FLAMES with a close-fitting lid, cookie sheet or metal tray, then turn off the burner. BE CAREFUL TO PREVENT BURNS. IF THE FLAMES DO NOT GO OUT IMMEDIATELY, EVACUATE AND CALL THE FIRE DEPARTMENT.
- NEVER PICK UP A FLAMING PAN — You may be burned.
- DO NOT USE WATER, including wet dishcloths or towels —This could cause a violent steam explosion.
- Use an extinguisher ONLY if:
 - A. You own a Class ABC extinguisher and you know how to operate it.
 - B. The fire is small and contained in the area where it started.
 - C. The fire department has been called.
 - D. You can fight the fire with your back to an exit.
- Based on “Kitchen Fire Safety Tips” published by NFPA.

CAUTION

- For indoor use only.
- For general ventilating use only. Do not use to exhaust hazardous or explosive materials and vapors.
- To avoid motor bearing damage and noisy and/or unbalanced impeller, keep drywall spray, construction dust, etc. off power unit.
- Install the vent hood in a location away from strong drafts, such as windows, door, and strong HVAC vent for best performance.
- The minimum hood distance above cooktop must not be less than 25-5/8". For best capture of cooking impurities, the bottom of the hood should be at a maximum of 29-1/2" above cooking surface.
- Two installers are recommended because of the large size and weight of this unit.

- To reduce the risk of fire and to properly exhaust air, be sure to duct air outside — Do not exhaust air into spaces within walls or ceiling or into attics, crawl space or garage.
- Because of the high exhausting capacity of this unit, you should make sure enough air is entering the house to replace exhausted air by opening a window close to or in the kitchen.
- Always leave safety grills and filters in place. Without these components, operating blowers could catch onto hair, fingers and loose clothing.
- The vent hood and filters should be cleaned frequently.

SAVE THESE INSTRUCTIONS

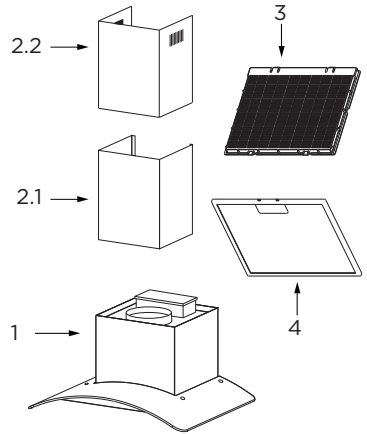
SPECIFICATIONS

Model	MVG30W8AST
Voltage/Frequency	120V~/60Hz
Rated power	323W
Lighting power	1.5Wx2
Motor input power	320W
Diameter of air tube	150mm
Air flow	450CFM
Noise	≤71dB(A)

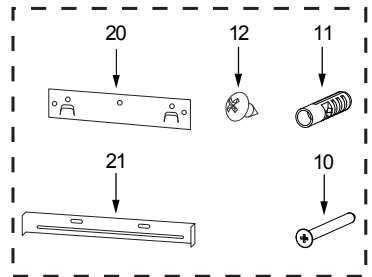
PRODUCT OVERVIEW

Components

Ref.	Qty.	Product Components
1	1	Hood Body,complete with: Controls, Light, Blower and Filter.
2.1	1	Lower Decorative Chimney
2.2	1	Upper Decorative Chimney
3	1	The Activated Charcoal filter (optional)
4	2	Grease filter



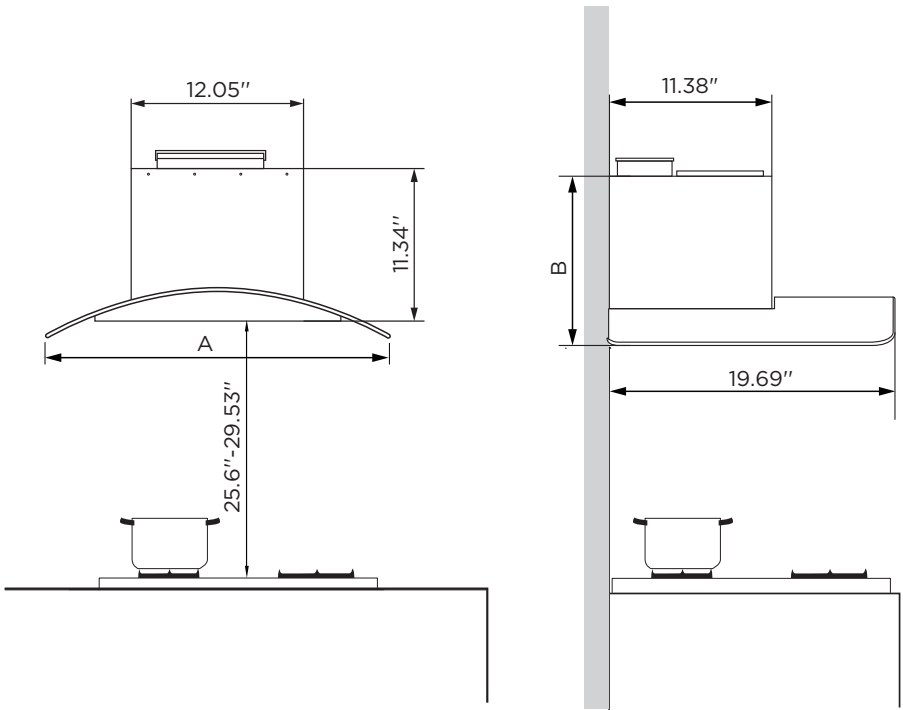
Ref.	Qty.	Installation Components
10	7	Screws 0.2" x 1.97"
11	7	Wall Plugs
12	6	Screws 0.17" x 0.37"
20	1	Hood fixing bracket
21	2	Chimney fixing bracket



Qty.	Documentation
1	Instruction Manual

Dimensions

unit: inch



	MVG30W8AST
A	35.4"
B	13.11"

Select Installation Type

A. Vented Installation

B. Non-Vented / Recirculation Installation

A. Vented Installation

• Roof Discharge

This canopy hood is designed for venting through the roof or wall.

A 6" round vent system is needed for installation (not included). The hood exhaust opening is 6" round.

Vent system can terminate either through the roof or wall. To vent through a wall, a 90° elbow is needed.

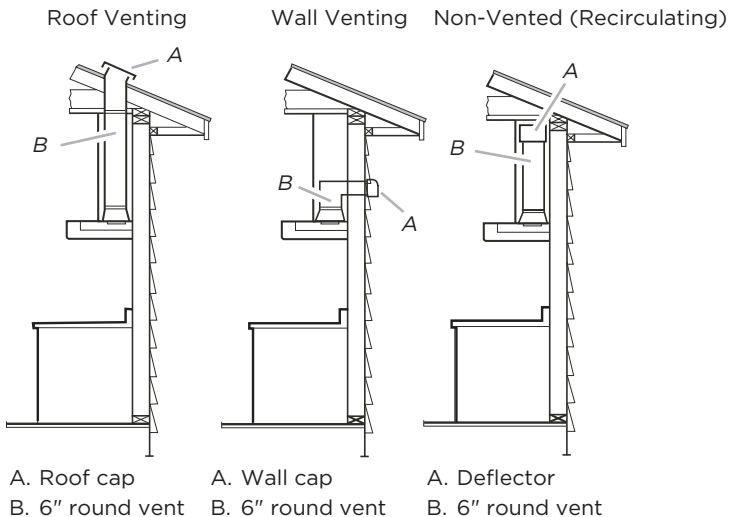
• Rear Discharge

A 90° elbow may be installed immediately above the hood.

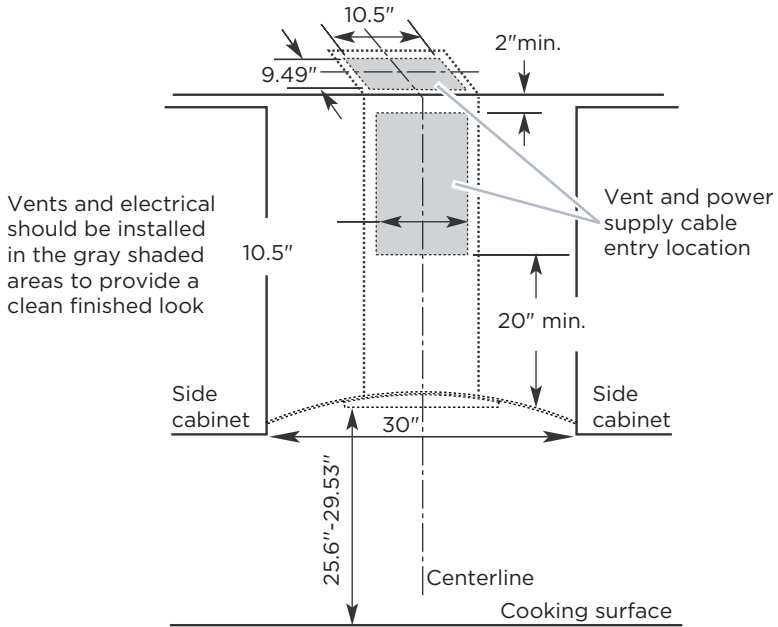
WARNING

TO REDUCE THE RISK OF FIRE, USE ONLY METAL DUCTWORK.

- If it is not possible to vent cooking fumes and vapors to the outside, the hood can be used in the non-vented (recirculating) version, fitting a charcoal filter and the deflector (not included, you can decide whether to use according to your installation environment). Fumes and vapors are recycled through the top grille.



Local building codes may require the use of makeup air systems when using ventilation systems greater than specified CFM of air movement. The specified CFM varies from locale to locale. Consult your HVAC professional for specific requirements in your area.



CAUTION

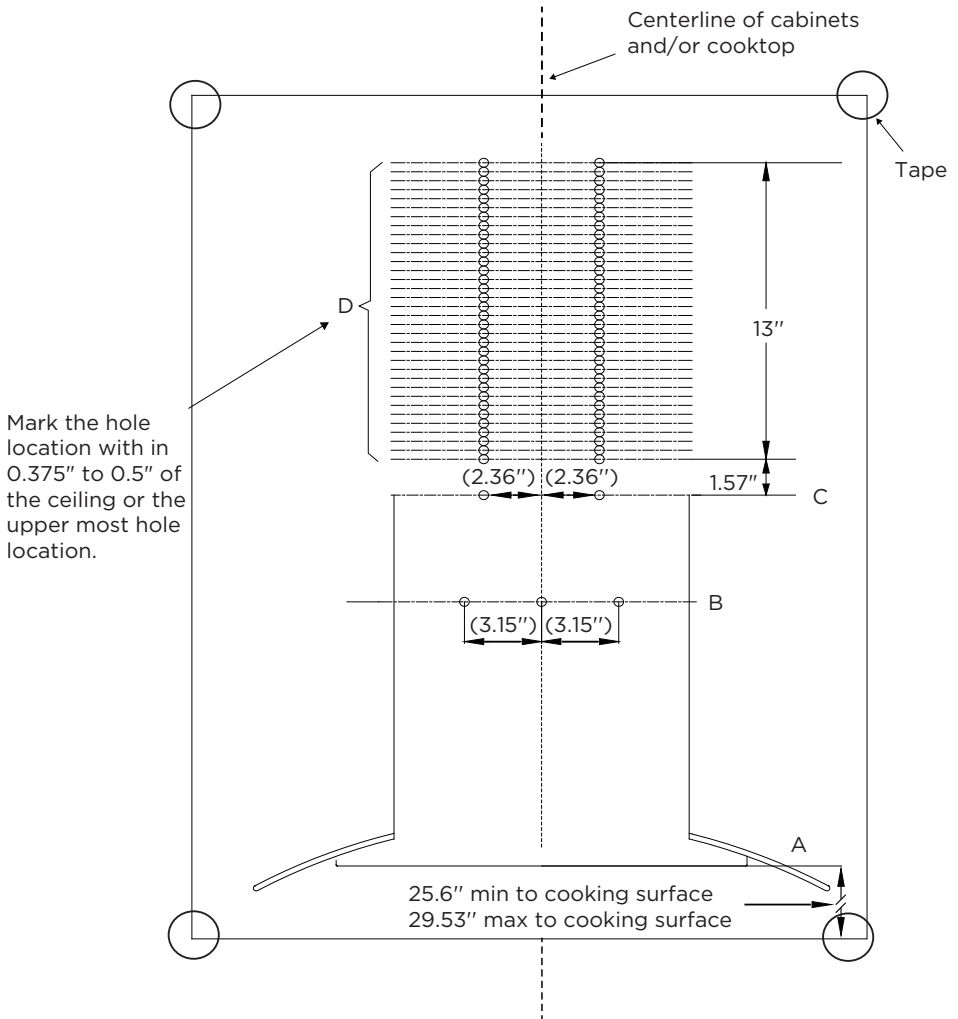
- Vent system must terminate to the outdoors except for non-vented (recirculating) installations.
- Do not terminate the vent system in an attic or other enclosed area.
- Do not use 4" laundry-type wall cap (plastic). Only use a metal exterior exhaust vent.
- Use metal vent only. Rigid metal vent is recommended for best performance.
- All vent joints should be taped and sealed with 2" metal foil tape.
- The length of vent system and number of elbows should be kept to a minimum to provide efficient performance.

For the Most Efficient and Quiet Operation:

- Use no more than three 90° elbows.
Make sure there is a minimum of 24" of straight vent between the elbows if more than 1 elbow is used.
- Do not install 2 elbows together.
- Use clamps to seal all joints in the vent system.
- Use caulking to seal exterior wall or roof opening around the cap.
- The size of the vent should be uniform.

Hood Mounting Screw Installation:

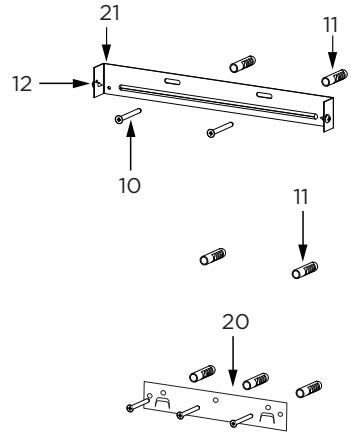
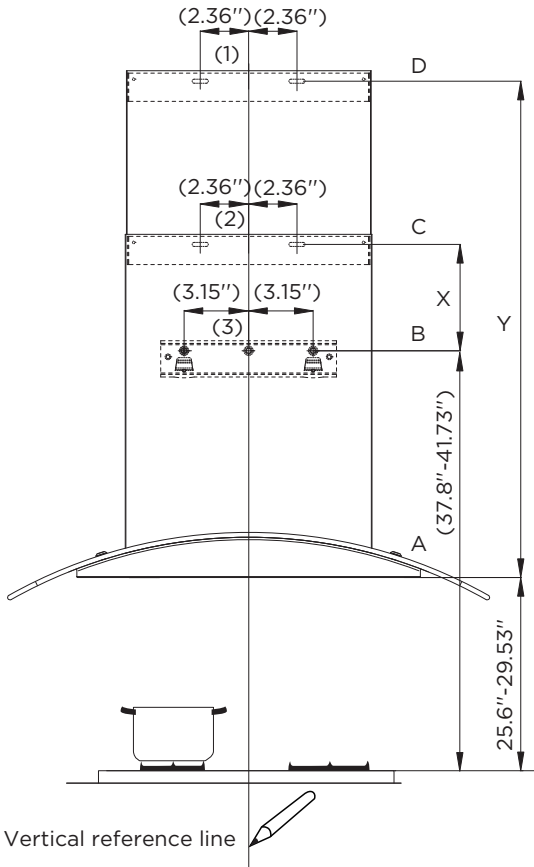
- 1 Determine and mark the centerline on the wall where the hood will be installed.
- 2 Select a mounting height between a minimum of 25.6" and a suggested maximum of 29.53" above the range to the bottom of the hood. Mark a reference line on the wall.
- 3 Tape template in place, aligning the template centerline and bottom of template with hood bottom line and with the centerline marked on the wall.



NOTE: Ensure that horizontal lines are level prior to marking hole locations.

PRODUCT INSTALLATION

Wall Drilling And Bracket Fixing



Chimney	X	Y
15.75"+15.35"	4.69"	17.64"-30.83"

As a first step, proceed with the following drawings:

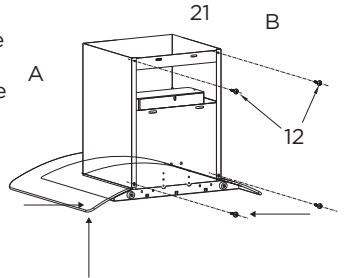
- A vertical line up to the ceiling or up to the upper limit, at the center of the area in which the hood is to be fitted.
- The cooker hood should be placed 25.6"-29.53" (horizontal line A) up from the cooking plane for safe and a good effect.
- A horizontal line B at a minimum 37.8"-41.73" above the cooker top.
- A horizontal line C at a X inch above the B
- A horizontal line D at Y above the cooker hood.

Mark Points:

- Mark a point (1) on the horizontal line D, 2.36" to the vertical reference line.
- Repeat this operation on the other side, checking that the three marks are leveled.
- Mark a point (2) on the horizontal line C, 2.36" to the vertical reference line.
- Repeat this operation on the other side, checking that the three marks are leveled.
- Mark a point (3) on the horizontal line B, 3.15" to the vertical reference line.
- Repeat this operation on the other side, checking that the three marks are leveled.

Assemble the Lower Chimney Cover :

- Slide the Lower Decorative Chimney trim (2.1) over the fan body.
- Ensure that the Decorative trim is pressed down to line up the lower mounting holes (A) Insert 2 short sheet metal screws (12) in the lower holes.
- Place Chimney mounting bracket (21) at the top of the Lower Decorative Chimney (2.1), and insert 2 short sheet metal screws (12) into the outer most holes on the bracket at location B.

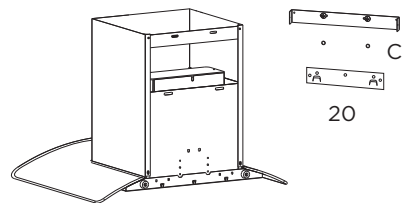


Pre-Assemble the Upper Chimney Cover and:

- Remove the protective foil from the Upper Decorative Chimney (2.2).
- Slide the Upper Decorative Chimney trim (2.2) down between the fan body and the Lower Decorative Chimney trim(2.1).
- It should be exposed about 0.25" above the Lower Decorative Chimney trim.

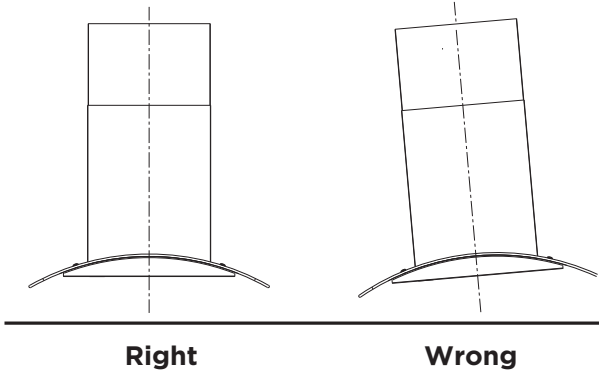
Hang and Mount the Vent Hood:

- Hang the vent hood onto fixing bracket 20.
- Level the hood, and insert 2 long screws (10) into bracket 21 at level C.



IMPORTANT

- The vent hood should be lifted and installed by 2 people to prevent injuries and potential damage.



Install Duct and Insert Plug:

- Install 6" duct over the flange on the fan body.
- Use 2" wide metal tape to make an air tight seal between the duct and the fan body.
- Install a clamp to secure the ductwork securely.
- Remove Carbon Filters if installed entered applications.
- Insert the plug into a properly grounded outlet.

WARNING

Electrical Shock Hazard

- This unit must be grounded. This appliance is equipped with a cord having a grounding wire with a grounding plug. The plug must be plugged into an outlet that is properly installed and grounded.
- Do not use an extension cord. If the power supply cord is too short, have a qualified electrician install an outlet near the appliance.

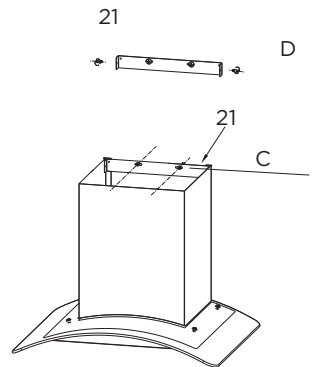
B. Non-Vented / Recirculation Installation:

Recirculation Mode:

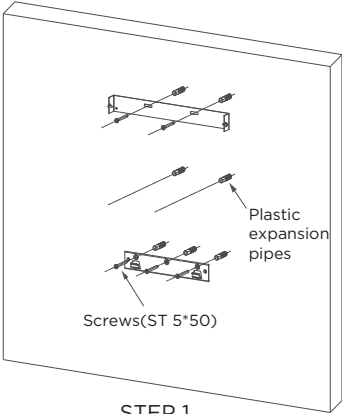
- Install Carbon Filters.
- Install deflector according to your installation environment.

Install Upper Decorative Chimney :

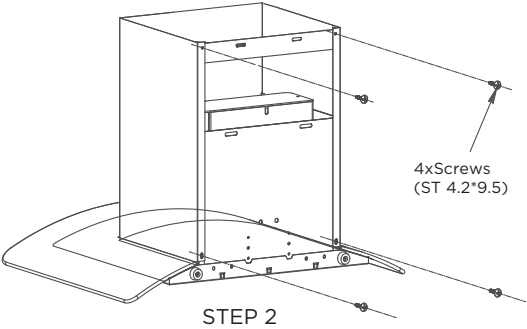
- Install Chimney mounting bracket (21) at holes previously marked on level D.
- Slide the upper decorative chimney 2.2 up to the horizontal line D.
- Insert 2 small sheet metal screws into the sides of the bracket to secure the Upper Decorative Chimney.



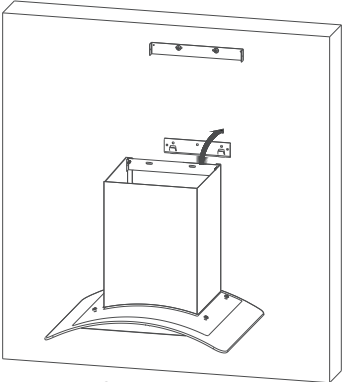
Summary of installation steps



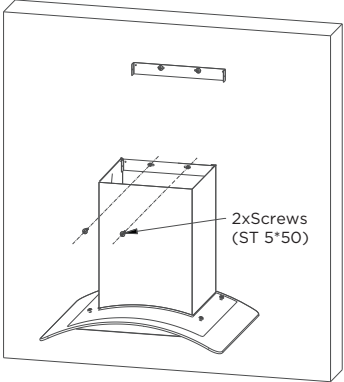
STEP 1



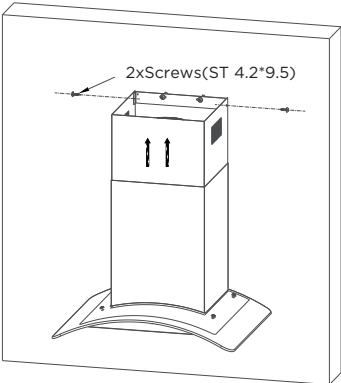
STEP 2



STEP 3



STEP 4



STEP 5

OPERATION INSTRUCTIONS

Speed Adjustment. (For Some Models)



Light

Low

Mid

High

Power

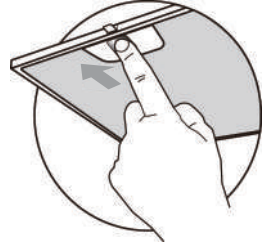
- After plugging, buzz once to declare the hood is connected with electricity. After the connection:
- Press the Power button, control motor power: under standby state, press this button, motor will run at low speed, and light for power and low speed button will be on; under power-on state, press this button, hood will enter 3-min-delay-shutdown state, press power button again under this state, the hood will turn off (motor stops running).
- Press the Light button, control light being on and off independently without any other buttons' help. Press it once, lights will be on. Press again, they will be off.
- Press the High button, valid under power-on state. While running at middle or low speed mode, press this button, the hood will enter high speed mode. If already running at high speed, pressing this button takes no effect. In 3-min-delay-shutdown state, pressing this button takes no effect.
- Press the Low button, valid under power-on state. While running at high or middle speed mode, press this button, the hood will enter low speed mode. If already running at low speed, pressing this button takes no effect. In 3-min-delay-shutdown state, pressing this button takes no effect.

CLEANING AND MAINTENANCE

Grease Filters

CLEANING METAL SELF-SUPPORTING GREASE FILTERS

- The filters must be cleaned frequently and can be washed in a dishwasher or a hot detergent solution.
- Depress the latch to remove the filters.
- Avoid bending the filters when washing, and allow the filters to completely dry before reinstalling (The color of the filter surface may change throughout the time but this has no influence to the filter efficiency).
- When reinstalling the filter ensure the release latches are facing down, and are securely in place.



Warning

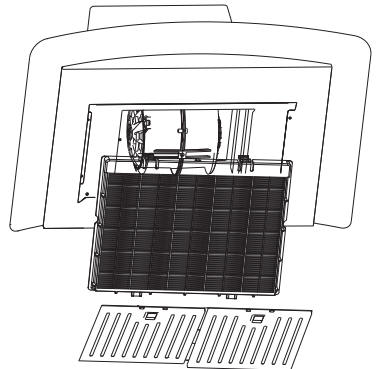
- Do not operate your cooktop when the filters are not installed into the vent hood.

Activated Charcoal Filter (Recirculation Version)

- These filters are not washable and cannot be regenerated, and must be replaced approximately every 4 months of operation, or more frequently with heavy usage.

Replacing The Activated Charcoal Filter

- Remove the metal grease filters.
- Remove the saturated activated charcoal filter.
- Install the new filters.
- Replace the metal grease filters.
- The service part number: 12173000A00481.
- The specific installation steps for the carbon filter are provided in the instruction video on the Amazon website for this product. Please follow the instructions carefully to ensure proper installation and operation of the filter.

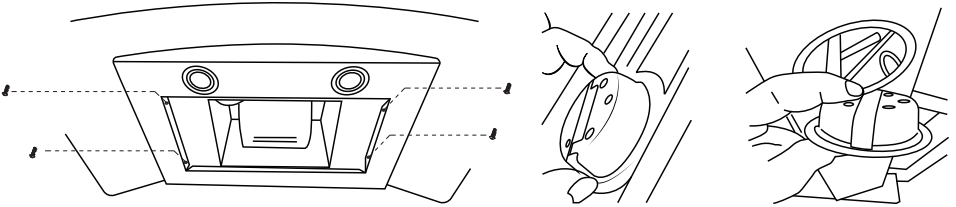


Lighting

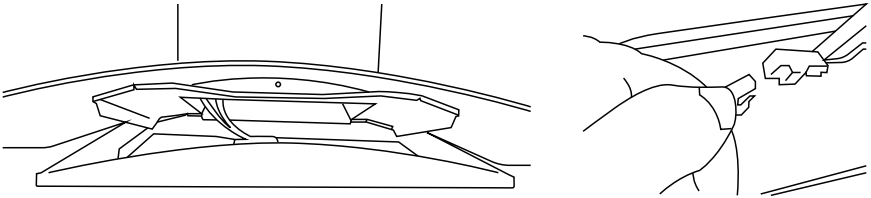
LIGHT REPLACEMENT


Replacing the light modules

- The entire light module must be replaced.
 - Before changing the light module(s), unplug the appliance or switch off the circuit breaker in the fuse box.
1. Remove the grease filter and carefully remove the 4 screws from each side on the opening (a Phillips head screwdriver will be needed to remove the screws).



2. Lower the control panel at the front by carefully pulling it downwards. You can now access the light module and terminals. Replace the lamp.




	Max Power	Voltage	Picture	Service Number
Round/Diameter: 2-3/4"	1.5W	DC 12V		17473000000136

TROUBLE SHOOTING

Problem	Possible reason	Solution
Light on, but motor does not work	• The blades are blocked.	Check the blades
	• The capacitor is damaged.	Replace capacitor.
	• The motor is damaged.	Replace motor.
	• The internal wiring of motor is cut off/disconnected. An unpleasant smell may be produced.	Replace motor.
Both light and motor do not work	Apart from the above mentioned, check the following:	
	• Light damaged.	Replace lights.
	• Power cord loose.	Connect the wires as the electric diagram.
Oil leakage	• Outlet and the air ventilation entrance are not tightly sealed.	Take down the outlet and seal with glue.
Vibration	• The blade, if damaged, can cause vibrating.	Replace the blade.
	• The motor is not tightly fastened.	Fasten the motor tightly.
	• The cooker hood is not tightly fixed.	Fixed the cooker hood tightly.
Insufficient suction	• The distance between the cooker hood and the cooker top is too large.	Readjust the distance.
	• Too much ventilation from open doors or windows.	Choose a new place to install the appliance or close some doors / windows.
The machine inclines	• The fixing screws are not tight enough.	Tighten the fixing screw and make it horizontal.
	• The hanging screws are not tight enough.	Tighten the hanging screw and make it horizontal.

TRADEMARKS, COPYRIGHTS AND LEGAL STATEMENT

 Midea logo, word marks, trade name, trade dress and all versions thereof are valuable assets of Midea Group and/or its affiliates (“Midea”), to which Midea owns trademarks, copyrights and other intellectual property rights, and all goodwill derived from using any part of an Midea trademark. Use of Midea trademark for commercial purposes without the prior written consent of Midea may constitute trademark infringement or unfair competition in violation of relevant laws.

This manual is created by Midea and Midea reserves all copyrights thereof. No entity or individual may use, duplicate, modify, distribute in whole or in part this manual, or bundle or sell with other products without the prior written consent of Midea.

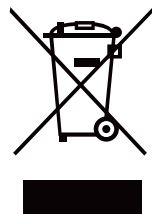
All the described functions and instructions were up to date at the time of printing this manual. However, the actual product may vary due to improved functions and designs.

DISPOSAL AND RECYCLING

Important instructions for environment

Compliance with the WEEE Directive and Disposing of the Waster Product:
This product complies with EU WEEE Directive (2012/19/EU). This product bears a classification symbol for waster electrical and electronic equipment (WEEE).

This symbol indicates that this product shall not be disposed with other household wastes at the end of its service life. Used device must be returned to official collection point for recycling of electrical electronic devices. To find these collection systems please contact to your local authorities or retailer where the product was purchased. Each household performs important role in recovering and recycling of old appliance. Appropriate disposal of used appliance helps prevent potential negative consequences for the environment and human health.

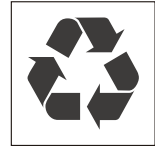


Compliance with RoHS Directive

The product you have purchased complies with EU RoHS Directive (2011/65/EU). It does not contain harmful and prohibited materials specified in the Directive.

Package information

Packaging materials of the product are manufactured from recyclable materials in accordance with our National Environment Regulations. Do not dispose of the packaging materials together with the domestic or other wastes. Take them to the packaging material collection points designated by the local authorities.



DATA PROTECTION NOTICE

For the provision of the services agreed with the customer, we agree to comply without restriction with all stipulations of applicable data protection law, in line with agreed countries within which services to the customer will be delivered, as well as, where applicable, the EU General Data Protection Regulation (GDPR).

Generally, our data processing is to fulfil our obligation under contract with you and for product safety reasons, to safeguard your rights in connection with warranty and product registration questions. In some cases, but only if appropriate data protection is ensured, personal data might be transferred to recipients located outside of the European Economic Area.

Further information are provided on request. You can contact our Data Protection Officer via **MideaDPO@midea.com**. To exercise your rights such as right to object your personal data being processed for direct marketing purposes, please contact us via **MideaDPO@midea.com**. To find further information, please follow the QR Code.

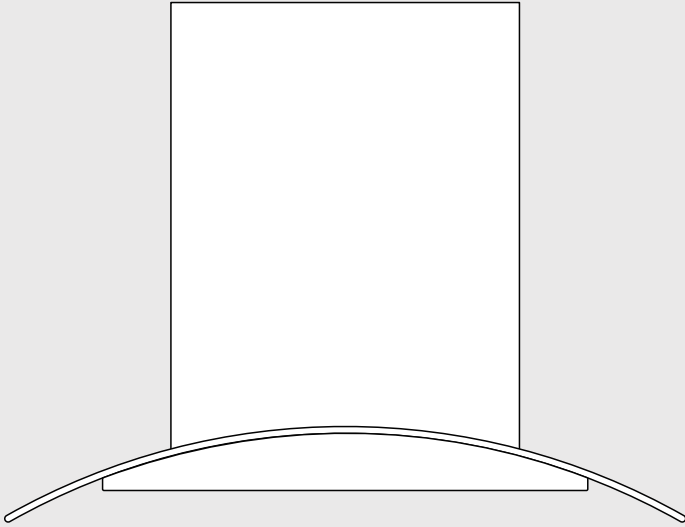


make yourself at home



www.midea.com

© Midea 2023 all rights reserved



Hotte De Cuisine

MODE D'EMPLOI

MVG30W8AST

Avertissements : Avant d'utiliser ce produit, veuillez lire attentivement ce mode d'emploi et le garder pour une référence future. La conception et les spécifications sont sujettes à modification sans préavis aux fins d'améliorer le produit. Consultez votre fournisseur ou le fabricant pour plus de détails. Le schéma ci-dessus est fourni à titre indicatif. Veuillez prendre en compte l'apparence de l'appareil réel.

LETTRE DE REMERCIEMENT

Merci d'avoir choisi Midea! Avant d'utiliser votre nouveau produit Midea, il faut lire attentivement ce mode d'emploi pour s'assurer que vous savez comment utiliser les caractéristiques et fonctions offertes par votre nouvel appareil en toute sécurité.

SOMMAIRE

LETTRE DE REMERCIEMENT	01
CONSIGNES DE SÉCURITÉ	02
CARACTÉRISTIQUES	05
VUE D'ENSEMBLE DE L'APPAREIL	06
INSTALLATION DE L'APPAREIL	11
CONSIGNES D'UTILISATION	15
NETTOYAGE ET ENTRETIEN	16
RÉSOLUTION DES PROBLÈMES	18
MARQUES, DROITS D'AUTEUR ET DÉCLARATION LÉGALE	19
ÉLIMINATION ET RECYCLAGE	19
AVIS DE PROTECTION DES DONNÉES	20

CONSIGNES DE SÉCURITÉ

Usage prévu

Les consignes de sécurité suivantes visent à prévenir les risques ou les dommages imprévus résultant d'une mauvaise utilisation de l'appareil. Veuillez vérifier l'emballage et l'appareil à l'arrivée pour vous assurer que tout est en parfait état afin de garantir un bon fonctionnement de l'appareil. Si vous constatez des dommages, veuillez contacter le détaillant ou le distributeur. Veuillez noter que les modifications ou altérations de l'appareil ne sont pas autorisées pour des raisons de sécurité. Une utilisation non conforme peut entraîner des risques et la perte des droits à la garantie.

Explication des symboles

	Danger Ce symbole indique la présence de dangers pour la vie et la santé des personnes en raison du gaz extrêmement inflammable.
	Avertissement sur la tension électrique Ce symbole indique la présence de danger pour la vie et la santé des personnes en raison de la tension.
	Avertissement L'avertissement vous met en garde contre des situations pouvant entraîner des lésions corporelles graves, la mort ou des dommages matériels.
	Mise en garde La mise en garde indique une situation potentiellement dangereuse qui, si elle n'est pas évitée, peut entraîner des blessures mineures ou modérées.
	Attention Ce symbole indique une information importante (par exemple, un dommage matériel), mais pas un danger.
	Respecter les instructions Ce symbole indique qu'un technicien de service ne doit utiliser et entretenir cet appareil que conformément aux instructions d'utilisation.
	Important Important indique l'installation, le fonctionnement, l'entretien ou des informations utiles qui ne sont pas liées à un danger.

Il faut lire prudemment et attentivement ce mode d'emploi avant d'utiliser/de mettre en service l'appareil et le conserver à proximité immédiate du lieu d'installation ou de l'appareil pour toute utilisation future !



DESTINÉ À UN USAGE RÉSIDENTIEL UNIQUEMENT



AVERTISSEMENT

POUR RÉDUIRE LES RISQUES D'INCENDIE, D'ÉLECTROCUTION OU DE BLESSURE, OBSERVEZ CE QUI SUIT :

- N'utilisez cet appareil que de la manière prévue par le fabricant. Si vous avez des questions, contactez le fabricant à l'adresse ou au numéro de téléphone indiqué dans la garantie.
- Avant de procéder à l'entretien ou au nettoyage de l'appareil, débranchez et coupez l'alimentation au niveau du panneau de service et verrouillez le dispositif de déconnexion afin d'éviter toute remise sous tension accidentelle. Lorsque le dispositif de déconnexion ne peut pas être verrouillé, fixez solidement un dispositif d'avertissement bien visible, tel qu'une étiquette, sur le panneau de service.
- Les travaux d'installation et le câblage électrique doivent être effectués par du personnel qualifié conformément à tous les codes et normes applicables, y compris les codes et normes de construction ignifugés.
- Une quantité d'air suffisante est nécessaire pour assurer une bonne combustion et l'évacuation des gaz par le conduit de fumée (cheminée) des appareils à combustible, afin d'éviter les retours d'air. Suivez les directives du fabricant de l'équipement de chauffage et les normes de sécurité telles que celles publiées par la National Fire Protection Association (NFPA) et l'American Society for Heating, Refrigeration and Air Conditioning Engineers (ASHRAE), ainsi que les autorités locales chargées du code.
- Lorsque vous découpez ou percez un mur ou un plafond, n'endommagez pas les câbles électriques et autres installations non apparentes.
- Les ventilateurs aspirants doivent toujours déboucher à l'extérieur.
- N'utilisez pas cet appareil avec un dispositif de contrôle de la vitesse à semi-conducteurs.
- **POUR RÉDUIRE LE RISQUE D'INCENDIE, N'UTILISEZ QUE DES CONDUITS MÉTALLIQUES.**
- Cet appareil doit être mis à la terre. Cet appareil est équipé avec un cordon ayant un conducteur de mise à la terre. La fiche doit être branchée dans une prise correctement installée et mise à la terre.
- N'utilisez pas de rallonge. Si le cordon d'alimentation est trop court, demandez à un électricien qualifié d'installer une prise près de l'appareil.
- Lorsque les réglementations locales applicables comportent des exigences plus restrictives en matière d'installation et/ou de certification, ces exigences prévalent sur celles du présent document et l'installateur s'engage à s'y conformer à ses propres frais.

POUR RÉDUIRE LE RISQUE D'INCENDIE DE GRAISSE SUR LA CUISINIÈRE :

- Ne laissez jamais les appareils de surface sans surveillance à des réglages élevés. Les débordements provoquent des fumées et des projections grasses qui peuvent s'enflammer. Faites chauffer les
- huiles lentement à feu doux ou moyen.
Mettez toujours la hotte en marche lorsque vous cuisinez à haute température ou lorsque vous faites flamber des aliments (par
- Nettoyez fréquemment les ventilateurs. La graisse ne doit pas s'accumuler sur le ventilateur, les filtres ou dans les conduits d'évacuation.
- Utilisez une casserole de taille appropriée. Utilisez toujours des ustensiles de cuisine adaptés à la taille de l'élément de surface.

POUR RÉDUIRE LES RISQUES DE BLESSURES EN CAS D'INCENDIE DE GRAISSE SUR LE DESSUS DE LA CUISINIÈRE, RESPECTEZ LES CONSIGNES SUIVANTES* :

- ÉTEIGNEZ LES FLAMMES à l'aide d'un couvercle hermétique, d'une plaque à biscuits ou d'un plateau métallique, puis éteignez le brûleur. SOYEZ PRUDENT POUR ÉVITER LES BRÛLURES. SI LES FLAMMES NE S'ÉTEIGNENT PAS IMMÉDIATEMENT, ÉVACUEZ LES LIEUX ET APPELEZ LES POMPIERS.
- Ne ramassez jamais une casserole enflammée — Vous pourriez vous brûler.
- N'UTILISEZ PAS D'EAU, y compris des torchons ou des serviettes mouillés — Cela pourrait provoquer une violente explosion de vapeur.
- Utilisez un extincteur UNIQUEMENT si :
 - A. Vous possédez un extincteur de classe ABC et vous savez comment l'utiliser.
 - B. L'incendie est de faible ampleur et reste circonscrit à la zone où il s'est déclaré.
 - C. Les pompiers ont été appelés.
 - D. Vous pouvez combattre le feu en tournant le dos à une sortie.
- Basé sur le guide « Kitchen Fire Safety Tips (Conseils de sécurité en cas d'incendie de cuisine) » publié par la NFPA.



MISE EN GARDE

- Pour utilisation en intérieur uniquement.
- Pour une ventilation générale seulement. Ne pas utiliser pour évacuer des substances et vapeurs dangereuses ou explosives.
- Pour éviter d'endommager les roulements du moteur et d'avoir une roue bruyante et/ou déséquilibrée, évitez les projections de cloisons sèches, la poussière de construction, etc. sur l'unité motrice.

- Installez la hotte dans un endroit éloigné des courants d'air importants, tels que les fenêtres, les portes et les bouches d'aération pour une meilleure performance.
- La distance minimale de la hotte au-dessus de la table de cuisson ne doit pas être inférieure à 25-5/8" (65,1 cm). Pour capturer au mieux les impuretés de la cuisson, le bas de la hotte doit se situer au maximum à 29-1/2" (74,9 cm) au-dessus de la surface de cuisson.
- Il est recommandé de faire appel à deux installateurs en raison de la taille et du poids importants de l'appareil.
- Pour réduire le risque d'incendie et évacuer correctement l'air, veillez à évacuer l'air à l'extérieur ; n'évacuez pas l'air dans les espaces entre les murs ou le plafond ni dans les greniers, les vides sanitaires ou les garages.
- En raison de la grande capacité d'évacuation de cet appareil, vous devez vous assurer que suffisamment d'air entre dans la maison pour remplacer l'air évacué en ouvrant une fenêtre près de la cuisine ou dans la cuisine.
- Laissez toujours les grilles de sécurité et les filtres en place. Sans ces composants, les ventilateurs en fonctionnement risquent de s'accrocher aux cheveux, aux doigts et aux vêtements amples.
- La hotte et les filtres doivent être nettoyés régulièrement.

CONSERVER CES CONSIGNES

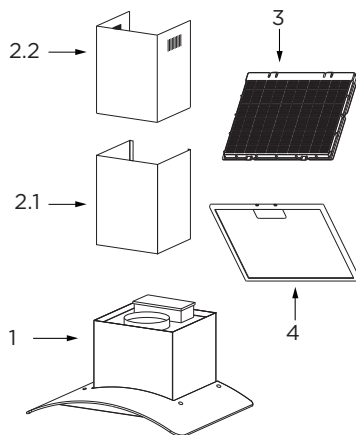
CARACTÉRISTIQUES

Modèle	MVG30W8AST
Tension/fréquence :	120 V-/60 Hz
Puissance nominale	323W
Éclairage à del	1,5W x 2
Puissance d'entrée du moteur	320W
Diamètre du tube d'air	150mm
Flux d'air	450CFM
Bruit	≤71dB(A)

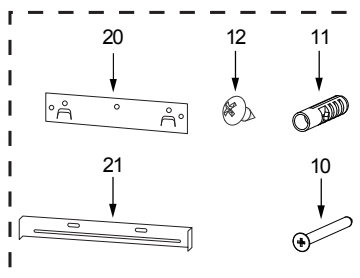
VUE D'ENSEMBLE DE L'APPAREIL

Composants

Réf.	Qté.	Composants du produit
1	1	Corps de hotte, complet avec : commandes, lumière, ventilateur et filtre.
2.1	1	Cheminée décorative inférieure
2.2	1	Cheminée décorative supérieure
3	1	Filtre à charbon actif (en option)
4	2	Filtre à graisse



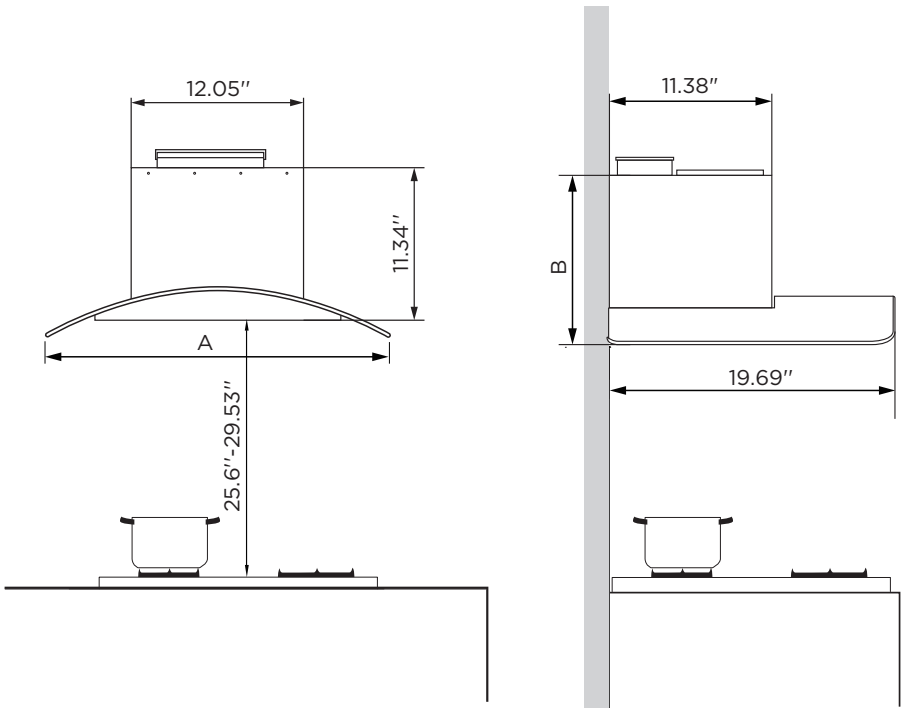
Réf.	Qté.	Éléments d'installation
10	7	Vis 0,2" x 1,97" (5 mm x 50 mm)
11	7	Fiches murales
12	6	Vis 0,17" x 0,37" (4,3 mm x 9,4 mm)
20	1	Support de fixation du capot
21	2	Support de fixation de la cheminée



Qté.	Documentation
1	Manuel d'instructions

Dimensions

unité : pouce



	MVG30W8AST
A	35,4" (90 cm)
B	13,11" (33,3 cm)

Sélectionner le type d'installation

A. Installation ventilée

B. Installation sans ventilation/recirculation

A. Installation ventilée

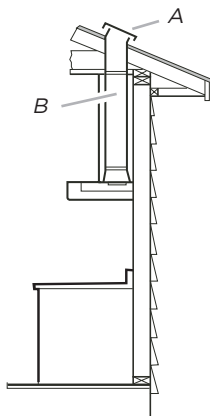
- Évacuation par le toit
Cette hotte est conçue pour être ventilée à travers le toit ou le mur.
Un système d'évent rond de 6" (15,2 cm) est nécessaire pour l'installation (non inclus).
L'ouverture d'échappement de la hotte est ronde de 6" (15,2 cm).
Le système de ventilation peut se terminer à travers le toit ou le mur. Pour ventiler à travers un mur, un coude à 90° est nécessaire.
- Évacuation par l'arrière
Un coude à 90° peut être installé immédiatement au-dessus de la hotte.

AVERTISSEMENT

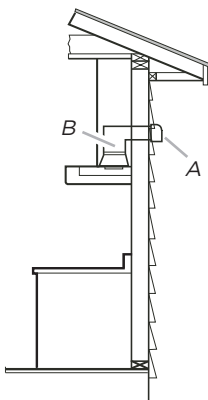
POUR RÉDUIRE LE RISQUE D'INCENDIE, N'UTILISEZ QUE DES CONDUITS MÉTALLIQUES.

- S'il n'est pas possible d'évacuer les fumées et les vapeurs de cuisson vers l'extérieur, la hotte peut être utilisée en version non ventilée (recirculation), en installant un filtre à charbon et le déflecteur (non inclus, vous pouvez décider de l'utiliser en fonction de votre environnement d'installation). Les fumées et les vapeurs sont recyclées par la grille supérieure.

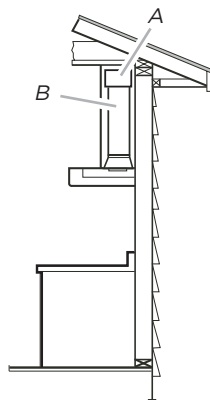
Ventilation par le toit Ventilation par le mur Non ventilé (recirculation)



A. Chapeau de toit
B. Évent rond de 6"
(15,2 cm)

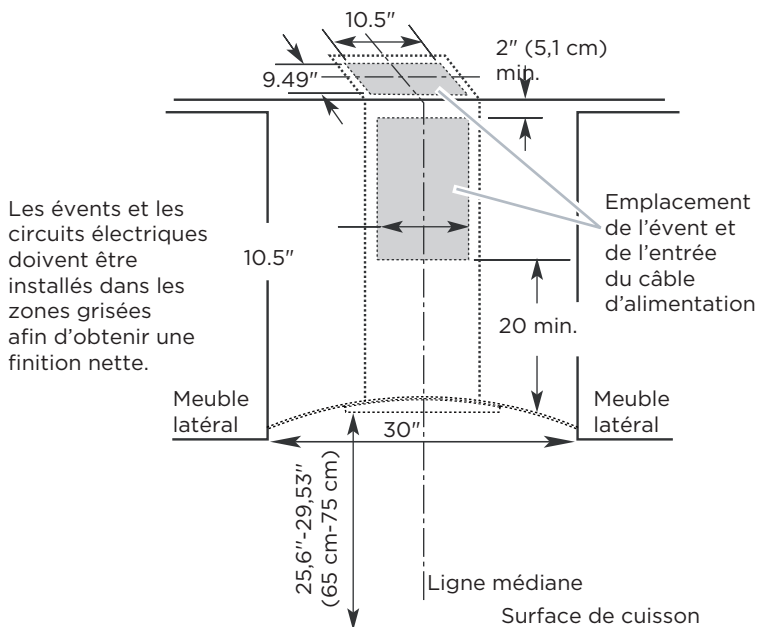


A. Capuchon mural
B. Évent rond de 6"
(15,2 cm)



A. Déflecteur
B. Évent rond de 6"
(15,2 cm)

Les codes de construction locaux peuvent exiger l'utilisation de systèmes d'air d'appoint en cas d'utilisation de systèmes de ventilation dont le débit d'air en CFM est supérieur aux valeurs spécifiées. La valeur spécifiée des CFM varie d'une région à l'autre. Consultez votre professionnel du chauffage, de la ventilation et de la climatisation pour connaître les exigences spécifiques à votre région.



MISE EN GARDE

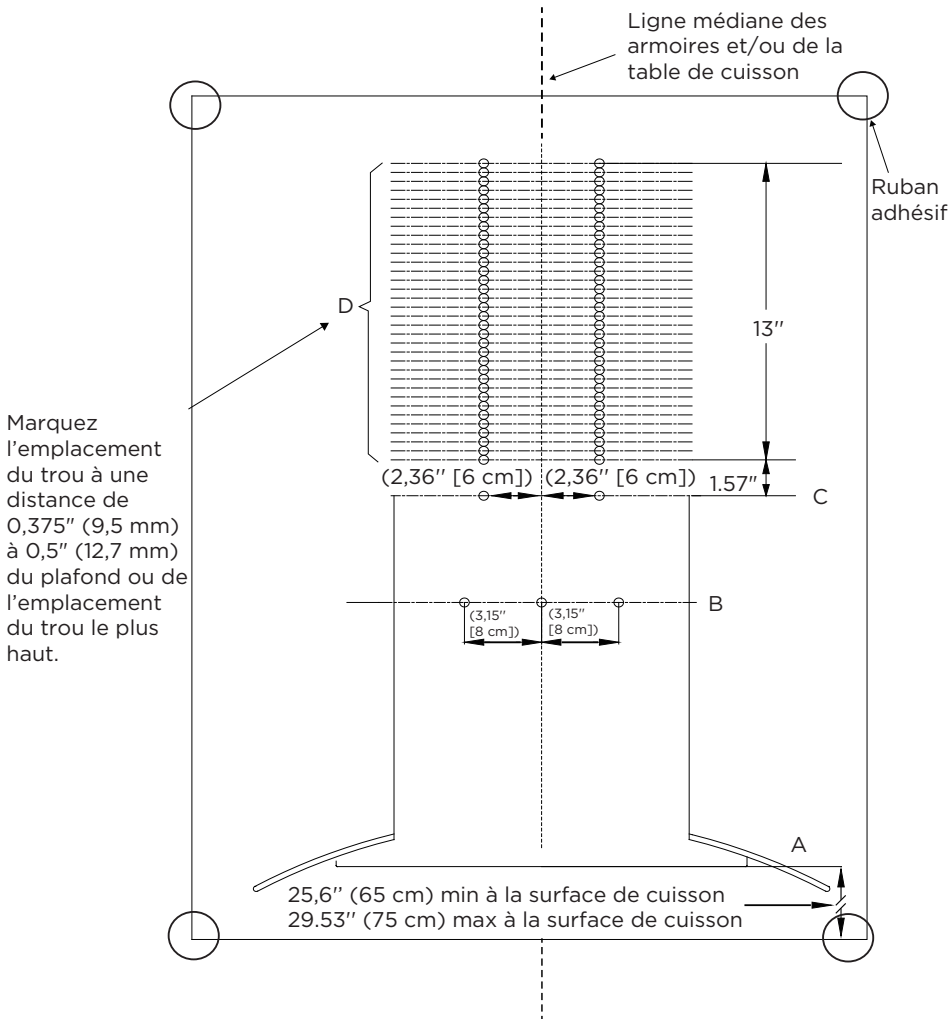
- Le système d'évacuation doit se terminer à l'extérieur, sauf pour les installations sans évacuation (recirculation).
- Ne terminez pas le système d'évacuation dans un grenier ou un autre endroit fermé.
- N'utilisez pas de capuchon mural (plastique) de 4" (10,2 cm) de type blanchisserie. N'utilisez qu'un conduit d'évacuation extérieur en métal.
- Utilisez uniquement un évent en métal. Un évent métallique rigide est recommandé pour de meilleures performances.
- Tous les joints de ventilation doivent être collés et scellés à l'aide d'un ruban métallique de 2" (5,1 cm).
- La longueur du système d'évacuation et le nombre de coudes doivent être réduits au minimum pour assurer un fonctionnement efficace.

Pour un fonctionnement plus efficace et plus silencieux :

- N'utilisez pas plus de trois coudes à 90°. Veillez à ce qu'il y ait au moins 24" (61 cm) d'évacuation droite entre les coudes si vous utilisez plus d'un coude.
- N'installez pas 2 coudes côte à côte.
- Utilisez des colliers de serrage pour sceller tous les joints du système d'évacuation.
- Utilisez un produit de calfeutrage pour sceller l'ouverture du mur extérieur ou du toit autour du chapeau.
- La taille de l'évent doit être uniforme.

Installation de la vis de montage de la hotte :

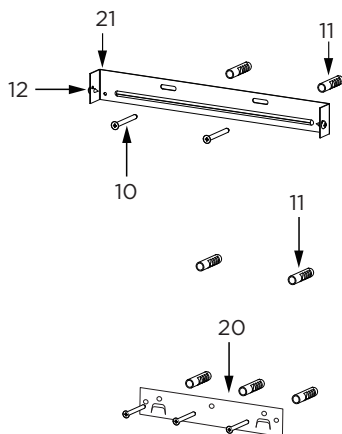
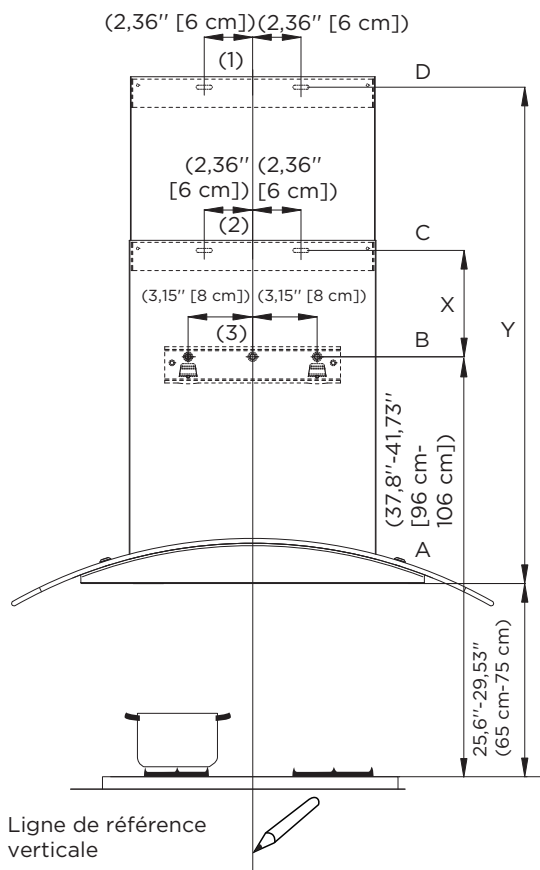
- 1 Déterminez et marquez l'axe central du mur où la hotte sera installée.
- 2 Choisissez une hauteur de montage comprise entre un minimum de 25,6" (65 cm) et un maximum suggéré de 29,53" (75 cm) au-dessus de la cuisinière jusqu'au bas de la hotte. Tracez une ligne de référence sur le mur.
- 3 Collez le gabarit en place, en alignant la ligne médiane du gabarit et le bas du gabarit avec la ligne inférieure de la hotte et avec la ligne médiane marquée sur le mur.



REMARQUE : Assurez-vous que les lignes horizontales sont de niveau avant de marquer l'emplacement des trous.

INSTALLATION DE L'APPAREIL

Perçage des murs et fixation des supports



Cheminée	X	Y
15,75"+15,35" (40 cm- 39 cm)	4,69" (11,9 cm)	17,64"- 30,83" (44,8 cm- 78,3 cm)

Dans un premier temps, suivez les dessins suivants :

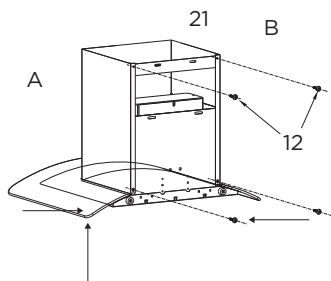
- Une ligne verticale jusqu'au plafond ou jusqu'à la limite supérieure, au centre de la zone dans laquelle la hotte doit être installée.
- La hotte doit être placée à 25,6" (65 cm) - -29,53"(75 cm) (ligne horizontale A) du plan de cuisson pour être sûre et efficace.
- Une ligne horizontale B à au minimum 37,8" (96 cm) - - 41,73" (106 cm) au-dessus du plan de cuisson.
- Une ligne horizontale C à X pouces au-dessus de la ligne B.
- Une ligne horizontale D à Y au-dessus de la hotte.

Points de repère :

- Faites un point (1) sur la ligne horizontale D, à 2,36" (6 cm) de la ligne de référence verticale.
- Répétez cette opération de l'autre côté, en vérifiant que les trois repères sont au même niveau.
- Faites un point (2) sur la ligne horizontale C, à 2,36" (6 cm) de la ligne de référence verticale.
- Répétez cette opération de l'autre côté, en vérifiant que les trois repères sont au même niveau.
- Faites un point (3) sur la ligne horizontale B, à 3,15" (8 cm) de la ligne de référence verticale.
- Répétez cette opération de l'autre côté, en vérifiant que les trois repères sont au même niveau.

Assembler le couvre-cheminée inférieur :

- Glissez la garniture décorative inférieure de la cheminée (2.1) sur le corps du ventilateur.
- Veillez à ce que la garniture décorative soit enfoncée pour aligner les trous de fixation inférieurs (A). Insérez 2 vis à tôle courtes (12) dans les trous inférieurs.
- Placez le support de fixation de la cheminée (21) au sommet de la cheminée décorative inférieure (2.1) et insérez 2 vis à tôle courtes (12) dans les trous les plus extérieurs du support à l'emplacement B.

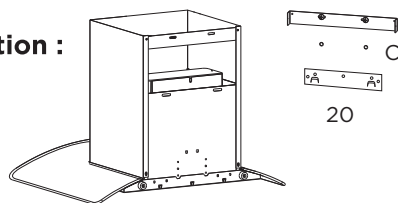


Préassemblage du couvre-cheminée supérieur :

- Enlevez la feuille de protection de la cheminée décorative supérieure (2.2).
- Faites glisser la garniture de cheminée décorative supérieure (2.2) entre le corps du ventilateur et la garniture de cheminée décorative inférieure (2.1).
- Elle doit être exposée à environ 0,25" (6,35 mm) au-dessus de la garniture de la cheminée décorative inférieure.

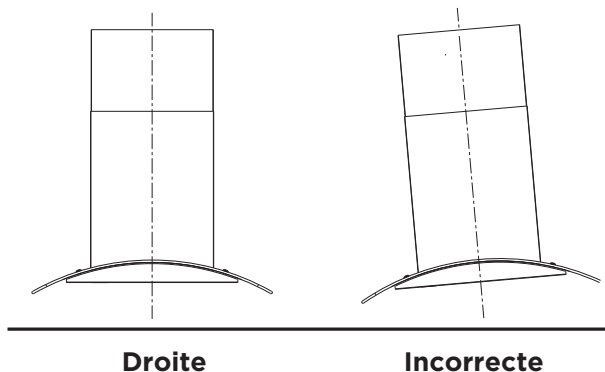
Accrocher et monter la hotte de ventilation :

- Accrochez la hotte de ventilation sur le support de fixation 20.
- Mettez la hotte à niveau et insérez 2 vis longues (10) dans le support 21 au niveau B.



IMPORTANT

- La hotte de ventilation doit être soulevée et installée par 2 personnes afin d'éviter les blessures et les dommages potentiels.



Installer le conduit et insérer la fiche :

- Installez un conduit de 6" (15,2 cm) sur la bride du corps du ventilateur.
- Utilisez du ruban métallique de 2" (5,1 cm) de large pour réaliser un joint étanche à l'air entre le conduit et le corps du ventilateur.
- Installez un collier de serrage pour fixer solidement le conduit.
- Enlevez les filtres à charbon s'ils sont installés.
- Insérez la fiche dans une prise de courant correctement mise à la terre.

AVERTISSEMENT

Risque d'électrocution

- Cet appareil doit être mis à la terre. Cet appareil est équipé avec un cordon ayant un conducteur de mise à la terre. La fiche doit être branchée dans une prise correctement installée et mise à la terre.
- N'utilisez pas de rallonge. Si le cordon d'alimentation est trop court, demandez à un électricien qualifié d'installer une prise près de l'appareil.

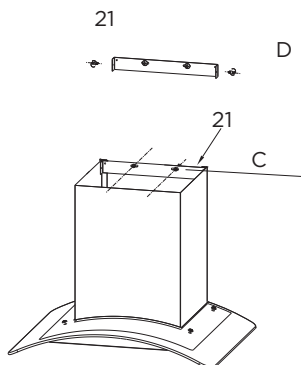
B. Installation sans aération/recirculation :

Mode de recirculation :

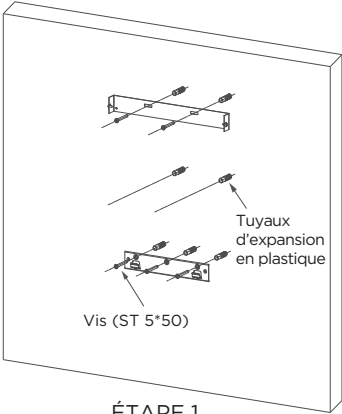
- Installez des filtres à charbon.
- Installez le déflecteur en fonction de l'environnement d'installation.

Installation d'une cheminée décorative supérieure :

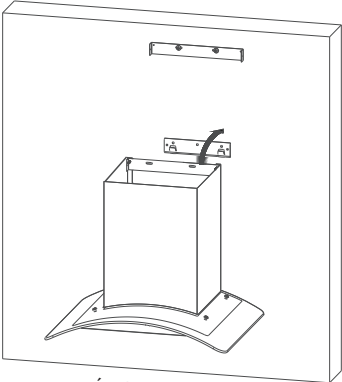
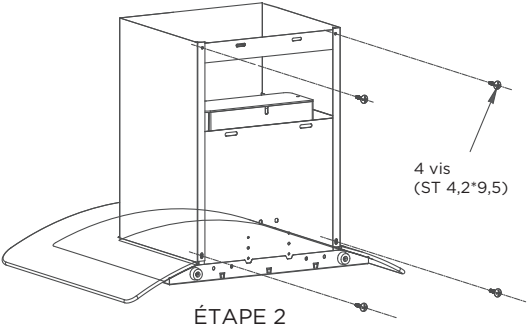
- Installez le support de fixation de la cheminée (21) dans les trous précédemment marqués sur le niveau D.
- Faire glisser la cheminée décorative supérieure 2.2 jusqu'à la ligne horizontale D.
- Insérez 2 petites vis à tôle dans les côtés du support pour fixer la cheminée décorative supérieure.



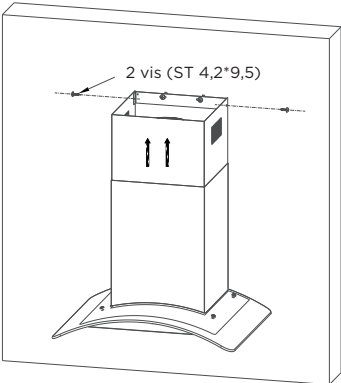
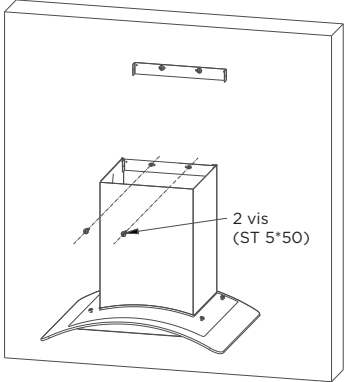
Résumé des étapes de l'installation



ÉTAPE 1

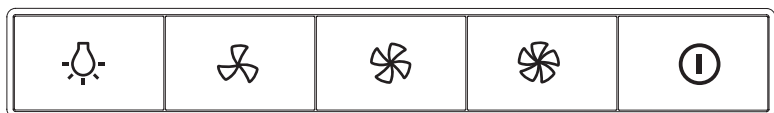


ÉTAPE 3



CONSIGNES D'UTILISATION

Réglage de la vitesse. (pour certains modèles)



Éclairage

Faible

Moyen

Élevé

Marche/Arrêt

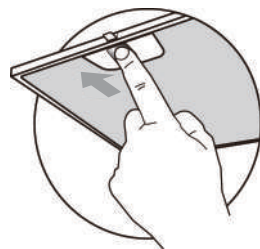
- Après le branchement, une sonnerie retentit une fois pour indiquer que la hotte est branchée à l'électricité. Après le branchement :
- Appuyez sur le bouton d'alimentation pour contrôler la puissance du moteur : en mode veille, appuyez sur ce bouton, le moteur fonctionnera à faible vitesse et les voyants des boutons d'alimentation et de faible vitesse s'allumeront; en mode marche, appuyez sur ce bouton, la hotte entrera dans un état d'arrêt différé de 3 minutes, appuyez à nouveau sur le bouton d'alimentation dans cet état, la hotte s'éteindra (le moteur s'arrêtera de fonctionner).
- Appuyez sur le bouton Light « Lumière » pour allumer et éteindre la lumière de manière autonome, sans l'aide d'autres boutons. Appuyez une fois sur ce bouton et les lumières s'allumeront, appuyez une deuxième fois et elles s'éteindront.
- Appuyez sur le bouton High « Elevé », utilisable lorsque la hotte est sous tension. Lorsque la hotte fonctionne à vitesse moyenne ou basse, appuyez sur ce bouton pour la faire passer en mode haute vitesse. Si la vitesse est déjà élevée, le fait d'appuyer sur ce bouton n'a aucun effet. En mode d'arrêt différé de 3 minutes, appuyer sur ce bouton n'a aucun effet.
- Appuyez sur le bouton Low « Faible », utilisable lorsque la hotte est sous tension. Lorsque la hotte fonctionne en mode haute ou moyenne vitesse, appuyez sur ce bouton pour la faire passer en mode basse vitesse. Si l'appareil fonctionne déjà à faible vitesse, le fait d'appuyer sur ce bouton n'a aucun effet. En mode d'arrêt différé de 3 minutes, appuyer sur ce bouton n'a aucun effet.

NETTOYAGE ET ENTRETIEN

Filters à graisse

NETTOYAGE DES FILTRES À GRAISSE MÉTALLIQUES AUTOPORTANTS

- Les filtres doivent être nettoyés fréquemment et peuvent être lavés au lave-vaisselle ou avec une solution détergente chaude.
- Appuyez sur le loquet pour retirer les filtres.
- Évitez de tordre les filtres lors du lavage et laissez-les sécher complètement avant de les remettre en place (la couleur de la surface du filtre peut changer au fil du temps, mais cela n'a pas d'influence sur l'efficacité du filtre).
- Lors de la réinstallation du filtre, assurez-vous que les loquets d'ouverture sont orientés vers le bas et qu'ils sont bien en place.



Avertissement

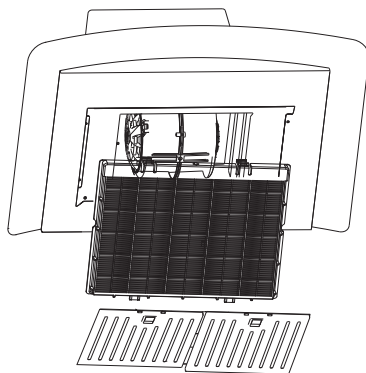
- Ne faites pas fonctionner votre table de cuisson lorsque les filtres ne sont pas installés dans la hotte.

Filter à charbon actif (version à recirculation)

- Ces filtres ne sont pas lavables et ne peuvent pas être régénérés. Ils doivent être remplacés tous les 4 mois environ, ou plus fréquemment en cas d'utilisation intensive.

Remplacement du filtre à charbon actif

- Enlevez les filtres à graisse métalliques.
- Retirez le filtre à charbon actif saturé.
- Installez les nouveaux filtres.
- Remplacez les filtres à graisse métalliques.
- Numéro de la pièce de rechange : 12173000A00481.
- Les étapes spécifiques de l'installation du filtre à charbon sont indiquées dans la vidéo d'instructions sur le site Web d'Amazon pour ce produit.
Veuillez suivre attentivement les instructions pour garantir une installation et un fonctionnement corrects du filtre.



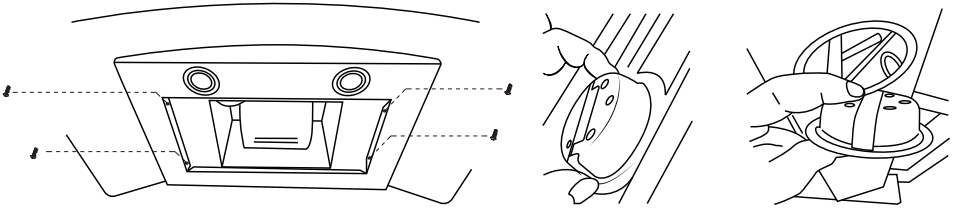
Éclairage

REPLACEMENT DE LA LUMIÈRE

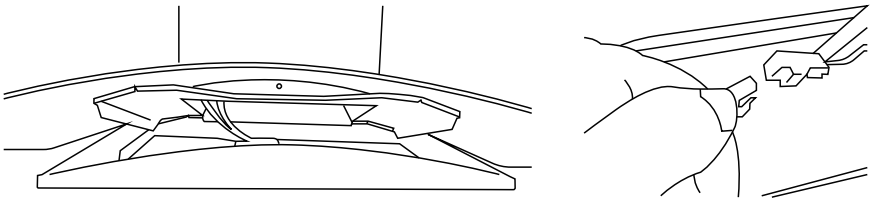
Remplacement des modules d'éclairage


- L'ensemble du module d'éclairage doit être remplacé.
- Avant de remplacer le(s) module(s) d'éclairage, débranchez l'appareil ou coupez le disjoncteur dans la boîte à fusibles.

1. Retirez le filtre à graisse et retirez soigneusement les 4 vis de chaque côté de l'ouverture (un tournevis cruciforme est nécessaire pour retirer les vis).



2. Abaissez le panneau de contrôle à l'avant en le tirant avec précaution vers le bas. Vous pouvez maintenant accéder au module d'éclairage et à ses bornes.




	Puissance maximale	Tension	Photo	Numéro de service
Rond/Diamètre : 2-3/4" (7 cm)	1,5 W	12 VCC		17473000000136

RÉSOLUTION DES PROBLÈMES

Problème	Cause possible	Solution
La lumière s'allume, mais le moteur ne fonctionne pas	• Les pales sont bloquées.	Vérifiez les pales.
	• Le condensateur est endommagé.	Remplacez le condensateur.
	• Le moteur est endommagé.	Remplacez le moteur.
	• Le câblage interne du moteur est coupé/déconnecté. Une odeur désagréable peut se dégager.	Remplacez le moteur.
La lumière et le moteur ne fonctionnent pas	Outre les éléments mentionnés ci-dessus, vérifiez les points suivants :	
	• Lumière endommagée.	Remplacez les ampoules.
Fuite d'huile	• Cordon d'alimentation desserré.	Connectez les fils selon le schéma électrique.
	• La sortie et l'entrée de la ventilation ne sont pas étanches.	Démontez la prise et appliquez de la colle.
Vibration	• La pale, si elle est endommagée, peut provoquer des vibrations.	Remplacer la pale.
	• Le moteur n'est pas bien fixé.	Fixez fermement le moteur.
	• La hotte n'est pas bien fixée.	Fixez solidement la hotte aspirante.
Aspiration insuffisante	• La distance entre la hotte et le plan de cuisson est trop importante.	Réajustez la distance.
	• Une trop grande ventilation par des portes ou des fenêtres ouvertes.	Choisissez un nouvel endroit pour installer l'appareil ou fermez certaines portes/fenêtres.
La machine s'incline	• Les vis de fixation ne sont pas assez serrées.	Serrez la vis de fixation et mettez la machine à l'horizontale.
	• Les vis de suspension ne sont pas assez serrées.	Serrez les vis de suspension et mettez la machine à l'horizontale.

MARQUES, DROITS D'AUTEUR ET DÉCLARATION LÉGALE

Le logo , les marques verbales, le nom commercial, la présentation et toutes les versions de ces éléments sont des propriétés précieuses de Midea Group ou de ses sociétés affiliées (« Midea »), auxquelles sont rattachés des marques, des droits d'auteur et d'autres droits de propriété intellectuelle, ainsi que toute bonne volonté résultant de l'utilisation d'une partie quelconque de la marque Midea. L'utilisation de la marque Midea à des fins commerciales sans le consentement écrit préalable de la société Midea peut constituer une contrefaçon de marque ou une concurrence déloyale en violation des lois en vigueur.

Ce mode d'emploi est élaboré par Midea qui en réserve tous les droits d'auteur. Aucune entité ou aucun individu ne peut utiliser, dupliquer, modifier, distribuer en totalité ou en partie ce manuel, ni le joindre ou le vendre avec d'autres produits sans le consentement écrit préalable de la société Midea.

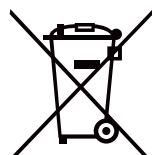
Toutes les fonctions et instructions décrites étaient à jour au moment de l'impression de ce mode d'emploi. Toutefois, le produit réel peut varier en raison de fonctions et de conceptions améliorées.

ÉLIMINATION ET RECYCLAGE

Instructions importantes relatives à l'environnement

Conformité à la directive DEEE et mise au rebut de l'appareil usé :
Cet appareil est conforme à la directive européenne DEEE (2012/19/UE). Cet appareil porte un symbole de classification des déchets d'équipements électriques et électroniques (DEEE).

Ce symbole indique que cet appareil, une fois usé, ne doit pas être mis au rebut au même titre que les autres déchets ménagers. L'appareil, une fois usé, doit être soumis à un point de collecte officiel dédié au recyclage des appareils électriques et électroniques. Pour trouver ces points de collecte, veuillez contacter les autorités locales ou le détaillant qui vous a vendu l'appareil. Chaque ménage joue un rôle important dans la récupération et le recyclage des vieux appareils. L'élimination appropriée des appareils usagés aide à prévenir les conséquences négatives potentielles pour l'environnement et la santé humaine.

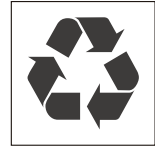


Conformité à la directive RoHS

L'appareil que vous avez acheté est conforme à la directive européenne RoHS (2011/65/UE). Il ne contient pas de matériaux nocifs et interdits spécifiés dans la directive.

Informations sur l'emballage

Les matériaux d'emballage de l'appareil sont fabriqués à partir de matériaux recyclables, conformément à notre réglementation nationale sur l'environnement. Ne jetez pas les matériaux d'emballage avec les déchets domestiques ou autres. Apportez-les aux points de collecte des matériaux d'emballage désignés par les autorités locales.



AVIS DE PROTECTION DES DONNÉES

Pour la fourniture des services convenus avec le client, nous nous engageons à respecter sans restriction toutes les stipulations du droit applicable en matière de protection des données, conformément aux pays convenus au sein desquels les services au client seront fournis, ainsi que, le cas échéant, le Règlement général sur la protection des données de l'UE (RGPD).

En règle générale, nous traitons les données pour remplir notre obligation contractuelle avec vous et pour des raisons de sécurité des produits, pour sauvegarder vos droits en rapport avec les questions de garantie et d'enregistrement des produits. Dans certains cas, mais uniquement si une protection appropriée des données est assurée, les données personnelles peuvent être transférées à des destinataires situés en dehors de l'Espace économique européen.

Vous pouvez obtenir plus d'informations sur demande. Vous pouvez contacter notre délégué à la protection des données à l'adresse suivante : **MideaDPO@midea.com**. Pour exercer vos droits tels que le droit d'opposition au traitement de vos données personnelles à des fins de marketing direct, veuillez nous contacter à l'adresse suivante **MideaDPO@midea.com**. Pour trouver des informations supplémentaires, veuillez suivre le code QR.



make yourself at home



www.midea.com

© Midea 2023 tous droits réservés

16173000A23827

V1.0