



en

Dryer

Power supply: 120/240V  
Frequency: 60Hz  
Capacity: 8.0 cu ft

Warning:  
Before using this product,  
please read this manual carefully  
and keep it for future reference.  
The design and specifications  
are subject to change without  
prior notice for product  
improvement. Consult with your  
dealer or manufacturer for  
details.

version A - 1 - 2020

## USER MANUAL & INSTALLATION INSTRUCTIONS



**Free 3 months  
extension\*** of the  
original limited warranty  
period! Simply text a  
picture of your proof of  
purchase to:

**1-844-224-1614**

\*The warranty extension is for the  
three months immediately following  
the completion of the products  
original warranty period.

**MODEL NUMBERS**

**MLE45N1AWW  
MLG45N1AWW**

[www.midea.com](http://www.midea.com)

# Dear user

---

**Thank you** for letting Midea help you "make yourself at home." This manual is part of our commitment to your total satisfaction. Please read this manual carefully before use and keep it in a convenient place for future reference.

To help us serve you better, please consider registering your product using our convenient Midea app MSmartlife, by visiting <http://www.midea.com>, or by texting a picture of purchase to **1-844-224-1614**.

By using the text option you will earn an additional 3 month warranty extension immediately following the completion of the product's original warranty.

<b>DRYER SAFETY .....</b>	<b>4</b>
<b>OPERATION REQUIREMENTS .....</b>	<b>8</b>
Important to Installer .....	8
Basic Requirements .....	9
Location Requirements .....	9
Ducting Requirements.....	13
Exhausting Requirements .....	15
Gas Requirements .....	15
Electric Requirements .....	17
<b>PARTS AND FEATURES .....</b>	<b>20</b>
Replacement Parts and Accessories.....	20
<b>INSTALLATION INSTRUCTIONS .....</b>	<b>21</b>
Removing From the Package .....	21
Tools Required .....	21
Choose the Proper Location .....	22
Install the Exhaust System .....	22
Connect the Gas Line (For Gas Models) .....	24
Connect the Electrical Wiring .....	25
Level the Dryer .....	28
Power On .....	28

Final Check .....	28
Door Reversal Procedure.....	29
Change the dryer vent location.....	30
<b>DRYER USE.....</b>	<b>33</b>
Control Panel.....	33
Drying a Load of Laundry .....	36
Using the Drying Rack.....	39
Special Laundry Tips.....	40
<b>DRYER CARE.....</b>	<b>42</b>
Cleaning and Maintenance.....	42
<b>TROUBLESHOOTING .....</b>	<b>43</b>
Check These Solutions if Your Dryer.....	43
Error Codes.....	45
<b>APPENDIX .....</b>	<b>46</b>
Fabric Care Chart .....	46
<b>WARRANTY.....</b>	<b>47</b>
<b>PRODUCT REGISTRATION.....</b>	<b>49</b>

## READ AND KEEP THESE INSTRUCTIONS FOR FUTURE REFERENCE

This manual contains important information on the installation, use, and care of your appliance. Please read this manual carefully before installation and operation of this machine to prevent injury and property damage.

Warnings and Important Safety Instructions in this manual DO NOT cover all possible conditions and situations that may occur. It is your responsibility to use common sense, caution and care when installing, maintaining and operating your washer.

# DRYER SAFETY

YOUR SAFETY AND THE SAFETY OF OTHERS ARE VERY IMPORTANT

To prevent injury to the user or other people and property damage, the instructions shown here must be followed. Incorrect operation due to ignoring of instructions may cause harm or damage, including death.

The level of risk is shown by the following indications.



This symbol indicates the possibility of death or serious injury.



This symbol indicates the possibility of injury or damage to property.



This symbol indicates the possibility of dangerous voltage constituting a risk of electrical shock is present that could result in death or serious injury.

## WARNING

For your safety the information in this manual must be followed to minimize the risk of fire or explosion, or to prevent property damage, personal injury or death.

- Do not store or use gasoline or other flammable vapors and liquids in the vicinity of this or any other appliance.
- Installation and service must be performed by a qualified installer, service agency, or the gas supplier.

## WARNING

### Fire Hazard



- Failure to follow safety warnings exactly could result in serious injury, death or property damage.
- Do not install a booster fan in the exhaust duct.
- Install all clothes dryers in accordance with the installation instructions of the manufacturer of the dryer.

## WARNING

### What to do if you smell gas:

- Do not try to light any appliance.
- Do not touch any electrical switch; do not use any phone in your building.
- Clear the room, building, or area of all occupants.
- Immediately call your gas supplier from a neighbor's phone. Follow the gas supplier's instructions.
- If you cannot reach your gas supplier, call the fire department.

# IMPORTANT SAFETY INSTRUCTIONS

## WARNING

To reduce the risk of fire, electric shock, or injury to persons when using your appliance, follow basic precautions, including the following:

- Read all instructions before using the appliance.
- Use this appliance only for its intended purpose as described in this Owner's Manual.
- Before use, the dryer must be properly installed as described in this manual.
- ALWAYS follow the fabric care instructions supplied by the garment manufacturer.
- Do not dry articles that have been previously cleaned in, washed in, soaked in, or spotted with gasoline, dry-cleaning solvents, other flammable or explosive substances as they give off vapors that could ignite or explode.
- Do not use the dryer to dry clothes which have traces of any flammable substance, such as vegetable oil, cooking oil, machine oil, flammable chemicals, thinner, etc., or anything containing wax or chemicals, such as mops and cleaning clothes. Flammable substances may cause the fabric to catch fire by itself.
- Do not store or use gasoline or other flammable vapors and liquids near this or any other appliance.
- Do not allow children to play on or in the appliance. Close supervision of children is necessary when the appliance is used near children.
- Before the appliance is removed from service or discarded, remove the lid of the washing or door of the drying compartment.
- Do not reach into the appliance if the drum is moving.
- Do not install or store this appliance where it will be exposed to the weather or freezing temperatures below 33°F.
- Do not tamper with the controls and latch.
- Do not install a booster fan in the exhaust duct.

- Do not repair or replace any part of the appliance or attempt any servicing unless it is specifically recommended in the user-maintenance instructions or in published user-repair instructions that you understand and have the skills to carry out.
- Keep the area underneath and around your appliances free of combustible materials (lint, paper, rags, etc.), gasoline, chemicals and other flammable vapors and liquids.
- Do not place items exposed to cooking oils in your dryer. Items contaminated with cooking oils may contribute to a chemical reaction that could cause a load to catch fire. To reduce the risk of fire due to contaminated loads, the final part of a tumble dryer cycle occurs without heat (cool down period). Avoid stopping a tumble dryer before the end of the drying cycle unless all items are quickly removed and spread out so that the heat is dissipated.
- Turn off the water faucets and unplug the washer if the machine is to be left for an extended period of time, such as during vacations.
- Packaging material can be dangerous for children. There is a risk of suffocation! Keep all packaging from children.
- Always check the inside of the dryer for foreign objects before loading laundry. Keep the door closed when not in use.
- Do not use fabric softeners or products to eliminate static unless recommended by the manufacturer of the fabric softener or product manufacture.
- **Clean the lint screen before or after each load.**
- Keep the area around the exhaust opening and surrounding areas free from lint, dust, and dirt.
- The interior of the dryer and exhaust duct should be cleaned periodically by qualified service personnel.
- Do not place items exposed to cooking oils in your dryer. Items contaminated with cooking oils may contribute to a chemical reaction that could cause a load to catch fire.
- This appliance must be grounded. See “**Electric Requirements**” and “**Grounding**” in the “**Operation Requirements**” section.
- This appliance must be properly grounded. Never plug the power cord into a receptacle that is not grounded adequately and in accordance with local and national codes. Refer to installation instructions for grounding this appliance.
- Ensure pockets are free from small irregularly shaped hard objects and foreign material, i.e. coins, knives, pins, etc. These objects could damage your dryer.
- Do not use heat to dry articles containing foam rubber or similarly textured rubber like - materials.

## WARNING

### To reduce the risk of fire or explosion

- Do not dry items that have been previously cleaned, washed, soaked, or spotted with gasoline, dry cleaning solvents, or other flammable or explosive substances. They emit vapors that could ignite or explode. Any material that has been in contact with a cleaning solvent or flammable liquids or solids should not be placed in the dryer until all traces of these flammable liquids or solids and their fumes have been removed.
- There are many highly flammable items used in homes, such as acetone, denatured alcohol, gasoline, kerosene, some liquid household cleaners, some spot removers, turpentine, waxes, and wax removers.
- Do not dry items containing foam rubber (may be labeled latex foam) or similarly textured rubber-like materials on a heat setting. Heated foam rubber materials can, under certain circumstances, produce fire by spontaneous combustion.

## CAUTION

- Do not sit on top of the dryer.
- Because of continuing product improvements, Midea America reserves the right of change specifications without notice. For complete details, see the Installation Instructions packed with your product before selecting cabinetry, making cutouts, or beginning installation.
- Do not dry clothing with large buckles, buttons, or other heavy metal or solid things.
- Install and use in accordance with the manufacturer's instructions.
- Do not place items in your dryer that have been spotted or soaked with vegetable oil or cooking oil. Even after being washed, these items may contain significant amounts of these oils.
- Residual oil on clothing can ignite spontaneously. The potential for spontaneous combustion increases when items containing vegetable oil or cooking oil are exposed to heat. Heat source such as your dryer can warm these items, allowing an oxidation reaction in the oil to occur.
- Oxidation creates heat. If this heat cannot escape, the items can become hot enough to catch fire. Piling, stacking, or storing these kinds of items may prevent heat from escaping and can create a fire hazard.
- Take care that children's fingers are not caught in door when closing it. This may result in injury.
- Gas leaks may occur in your system, resulting in a dangerous situation.
- Gas leaks may not be detected by smell alone.
- Gas suppliers recommend you purchase and install a UL approved gas detector.

## State of California Proposition 65 Warnings:



**WARNING:** Cancer and Reproductive Harm  
-[www.P65Warnings.ca.gov](http://www.P65Warnings.ca.gov).

# SAVE THESE INSTRUCTIONS

THIS APPLIANCE IS FOR HOUSEHOLD USE ONLY

## OPERATION REQUIREMENTS



### WARNING



#### Fire Hazard

- Clothes dryer installation must be performed by a qualified installer.
- Install the clothes dryer according to the manufacturer's instructions and local codes.
- Do not install a clothes dryer with flexible plastic venting materials. If flexible metal (foil type) duct is installed, it must be of a specific type identified by the appliance manufacturer as suitable for use with clothes dryer. Flexible venting materials are known to collapse, be easily crushed, and trap lint. These conditions will obstruct with the clothes dryer's airflow and increase the risk of fire.
- To reduce the risk of severe injury or death, follow all installation instructions
- Save these instructions.

## IMPORTANT TO INSTALLER

**Please read the following instructions carefully before installing the dryer. These instructions should be kept for future reference.**



### CAUTION

- The dryer is not suitable for installation in a mobile home.
- Remove the door from all discarded appliances to avoid the danger of a child being trapped and suffocating, after unplugging cut off Power Cord.

# BASIC REQUIREMENTS

**Make sure you have everything necessary for the proper installation.**

- A GROUNDED ELECTRICAL OUTLET is required. Refer to the “**Electrical requirements**” section.
- A POWER CORD electric dryer (except for Canada).
- GAS LINES (if a gas dryer) must meet national and local codes.
- The EXHAUST SYSTEM must be made of rigid metal or flexible stiff-walled metal exhaust ducting.

# LOCATION REQUIREMENTS

1. The dryer should be located where there is enough space at the front for loading the dryer, and enough space behind for the exhaust system.
2. This dryer is factory-ready for the rear exhaust option. If you want to change the vent location, see “Change the dryer vent location” on page 30.
3. Make sure the room in which the dryer is located has enough fresh air. The dryer must be located where there are no air-flow obstructions. Ambient temperature shall not be lower than 33°F.
4. For gas dryers, adequate clearance must be maintained as noted on the data plate to ensure adequate air for combustion and the proper dryer operation.
5. The dryer must not be installed or stored in an area where it will be exposed to water and/or weather. The dryer area must be kept clear of combustible materials, gasoline, and other flammable vapors and liquids. A dryer produces combustible lint. The area around the dryer should be kept lint-free.

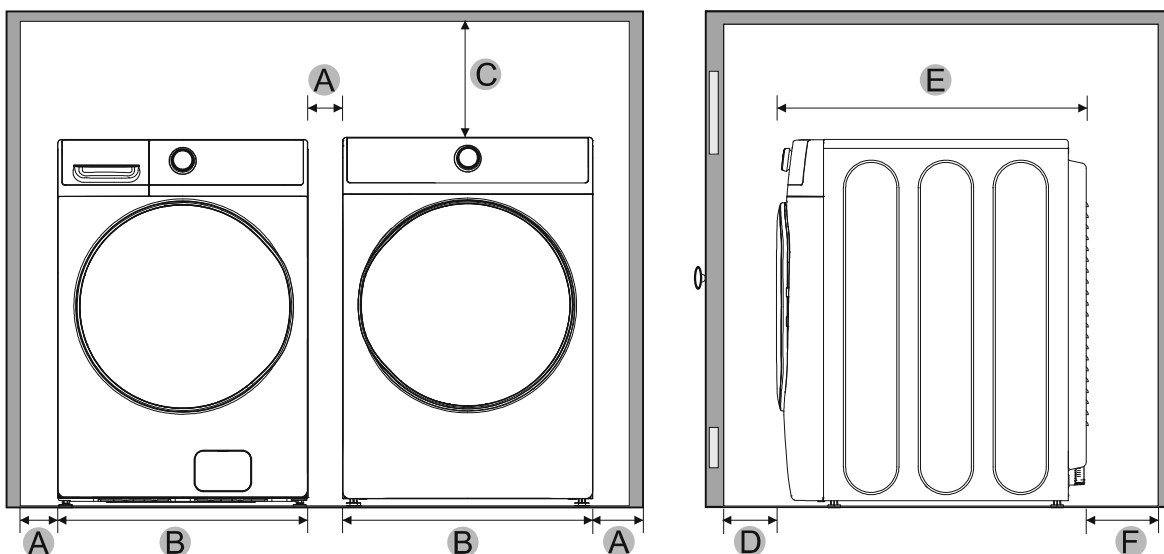
## ALCOVE OR CLOSET OR WALL INSERT/RECESSED INSTALLATIONS

### WARNING

- The dryer must be exhausted to the outside to reduce the risk of fire when installed any place inside the house.
- No other fuel-burning appliance should be installed in the same closet as the dryer.

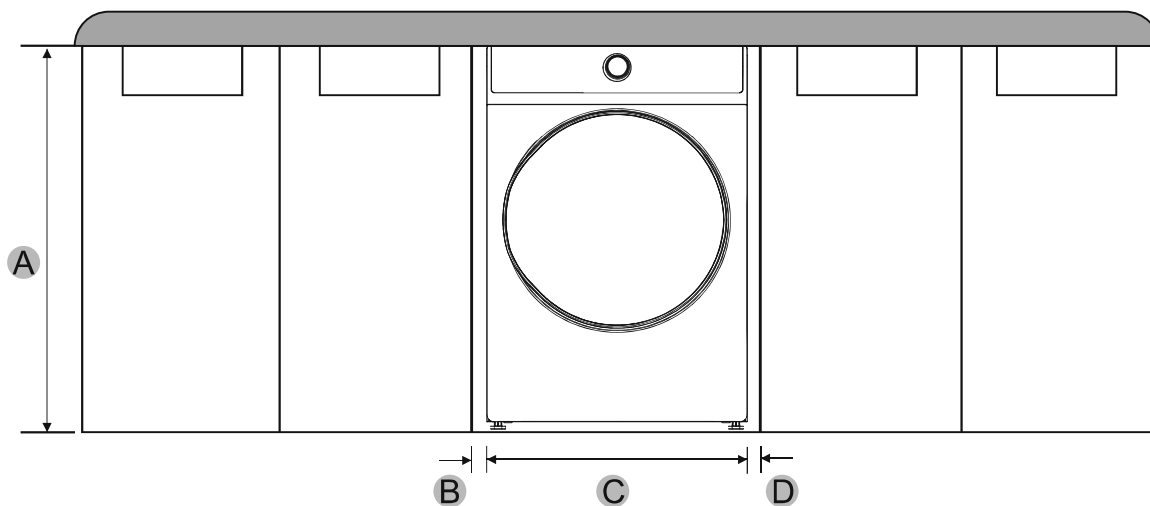
### Minimum clearances between the dryer and adjacent walls or other surfaces:

Sides	1 in. (25 mm)	Rear	5 in. (127 mm)
Top	24 in. (610 mm)	Closet front	2 in. (51 mm)



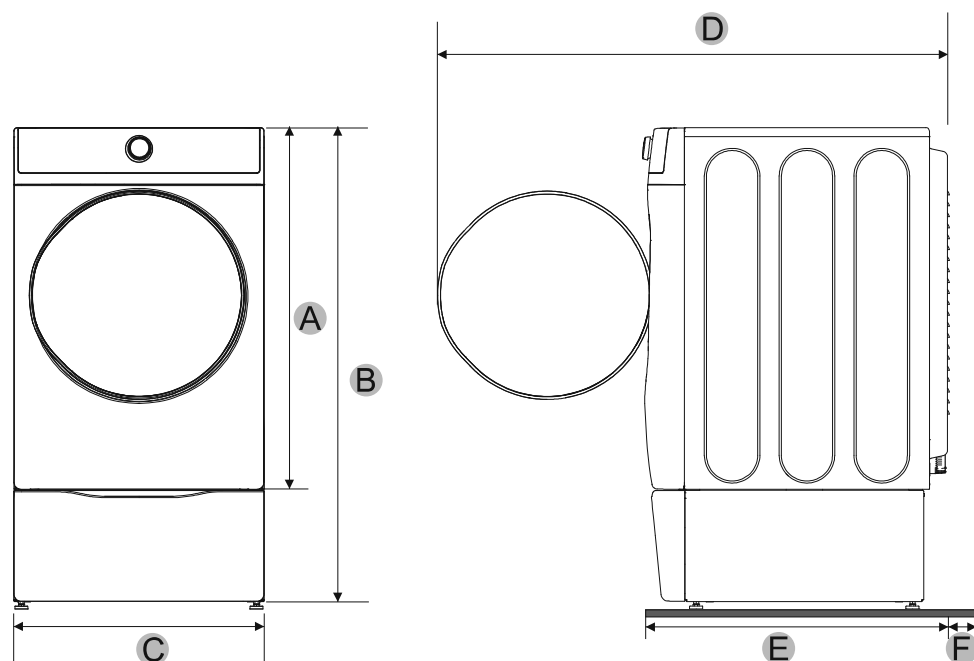
A	1 in. (25 mm)	C	24 in. (610 mm)	E	33.7 in. (855 mm)
B	27 in. (686 mm)	D	2 in. (51 mm)	F	5 in. (127 mm)

## UNDERCOUNTER INSTALLATION



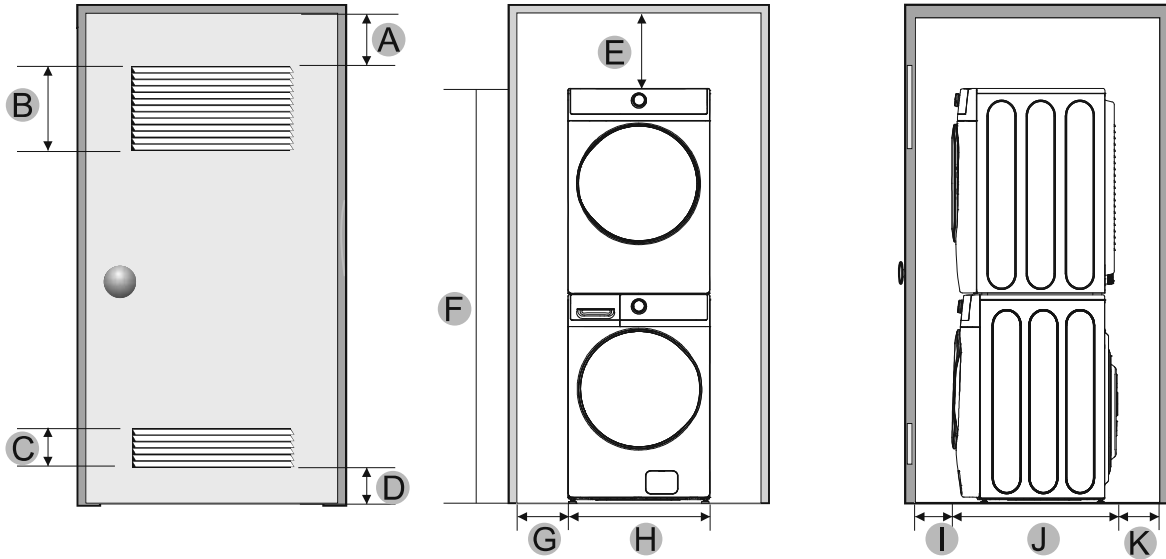
A	39.8 in. (1010 mm)	C	27 in. (686 mm)
B	1 in. (25 mm)	D	1 in. (25 mm)

## PEDESTAL INSTALLATION



A	39 in. (991 mm)	C	27 in. (686 mm)	E	33.7 in. (855 mm)
B	51.9 in. (1317 mm)	D	55.2 in. (1402 mm)	F	5 in. (127 mm)

## STACKED INSTALLATION

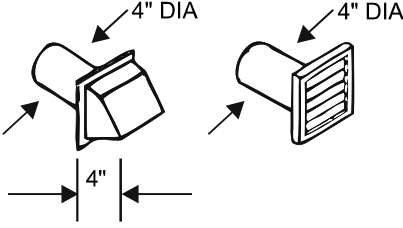
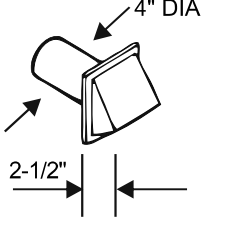


A	3 in. (76 mm)	E	6 in. (152 mm)	I	3 in. (76 mm)
B	48 in. <sup>2</sup> (31000mm <sup>2</sup> )	F	79 in. (2007 mm)	J	33.7 in. (855 mm)
C	24 in. <sup>2</sup> (15500mm <sup>2</sup> )	G	1 in. (25 mm)	K	8 in. (203 mm)
D	3 in. (76 mm)	H	27 in. (686 mm)		

### NOTE:

The front of the closet must have two unobstructed air openings for a combined minimum total area of 72 sq.in. (465 sq.cm) with a minimum clearance of 3 in. (76 mm) at the top and bottom. A slatted door with equivalent space clearance is acceptable.

# DUCTING REQUIREMENTS

	Recommended	Use only for short-run installation
Weather Hood Type	 <p>4 inch. (10.2 cm)</p>	 <p>2.5 inch. (6.4 cm)</p>
No. of 90° elbows	Rigid Metallic	Rigid Metallic
0	90 ft. (27.4 m)	60 ft. (18.3 m)
1	60 ft. (18.3 m)	45 ft. (13.7 m)
2	45 ft. (13.7 m)	35 ft. (10.7 m)
3	35 ft. (10.7 m)	25 ft. ( 7.6 m)

**If this new dryer is installed into an existing exhaust system you must make sure:**

- The exhaust system meets all local, state, and national codes.
- That a flexible plastic duct is not used.
- To inspect and clean all lint buildup from inside the existing duct.
- The duct is not dented or crushed.
- The exhaust hood damper opens and closes freely.

## Manometer measurements

The static pressure in any exhaust system for best results shall be between 0.3 to 0.8 inches of water column, and cannot be less than 0 under any circumstances. with installed duct of 4 inch diameter. Measurement must be done with the empty dryer working with a manometer at the point where the exhaust duct connects to the dryer. A no-heat setting should be used. Lint filter must be clean.



## WARNING

### The correct exhaust installation is **YOUR RESPONSIBILITY**.

- Use a 4-inch (10.2cm) diameter rigid aluminum or rigid galvanized steel duct.
- Do not use smaller diameter than recommended diameter duct.
- Ducts larger than 4 inches (10.2cm) in diameter can result in increased accumulation of lint and changes in performance
- Lint should be removed regularly from internal filter every cycle and from ducts.
- If a flexible metal duct must be used, use the type with a stiff sheet metal wall. Do not use a flexible duct with a thin foil wall. A serious blockage can result if the flexible metal duct is bent too sharply.
- Never install any type of flexible duct in walls, ceilings, or other concealed spaces.
- Keep the exhaust duct as straight, short as possible, minimum elbows
- Secure joints with duct tape. Do not use screws.
- Plastic flexible ducts can kink, sag, be punctured, reduce airflow, extend drying times, and affect the dryer operation.
- Exhaust systems longer than recommended 90 ft can extend drying times, affect machine operations, and collect lint.
- The exhaust duct should end with an exhaust hood with a swing-out damper to prevent back drafts and entry of wildlife. Never use an exhaust hood with a magnetic damper.
- The hood should have at least 12 inches (30.5cm) of clearance between the bottom of the hood and the ground or other obstruction. The hood opening should point down.
- Never install a screen over the exhaust outlet.
- To avoid lint buildup, do not exhaust the dryer directly into a window well. Do not exhaust under a house or porch.
- If the exhaust duct must run through an unheated area, the duct should be insulated and slope slightly down towards the exhaust hood to reduce condensation and lint buildup.
- Inspect and clean the interior of the exhaust system at least once a year. Unplug the power cord before cleaning.
- Check frequently to make sure the exhaust hood damper opens and closes freely.
- Check once per month, and clean at least once per year. NOTE: If your clothes are not getting dry, then check the ducting for obstructions.
- Do not exhaust the dryer into a wall, ceiling, crawl space, or concealed space of a building, gas vent, or any other common duct or chimney. This could create a fire hazard from the lint expelled by the dryer.
- Do not use non-metallic flexible duct.
- To reduce the risk of fire, this dryer **MUST BE EXHAUSTED OUTDOORS**.

## EXHAUSTING REQUIREMENTS

### WARNING

- The dryer shall not be exhausted into a chimney, a wall, a ceiling, an attic, a crawl space, or a concealed space of a building.
- The dryer must be exhausted to the outside to reduce the risk of fire when installed in alcove or closet.

Exhausting the dryer to the outside will prevent large amounts of lint and moisture from being blown into the room.

### WARNING

#### NEVER USE A PLASTIC OR NON-METAL FLEXIBLE DUCT

If your existing ductwork is plastic, non-metal, or combustible, replace it with metal before installation this appliance

Use only a metal exhaust duct that is non-flammable to ensure containment of the exhaust air heat, and lint.

Refer to the “Ducting requirements” section on page 13 for the maximum duct length and number of bends.

- All dryers must be exhausted to the outside.
- Do not assemble the duct with screws or other fastening means that extend into the duct and catch lint.
- The exhaust duct should be 4 inches (102mm) in diameter.
- The total length of flexible metal duct shall not exceed 7.8 feet (2.4 meters).

## GAS REQUIREMENTS

Use only natural or LP (liquid propane) gases.

**THE INSTALLATION MUST CONFORM WITH LOCAL CODES, OR IN THE ABSENCE OF LOCAL CODES, WITH THE NATIONAL FUEL GAS CODE, ANSI Z223.1/NFPA 54, LATEST REVISION (FOR THE UNITED STATES), OR THE NATURAL GAS AND PROPANE INSTALLATION CODE, CSA B149.1, LATEST REVISION (FOR CANADA).**

Gas dryer are equipped with a burner orifice for use with natural gas. If you plan to use your dryer with LP (liquid propane) gas, it must be converted for safe and proper performance by a qualified service technician.

A ½" (1.27 cm) gas supply line is recommended and must be reduced to connect to the ⅜" (1 cm) gas line on your dryer. The National Fuel Gas Code requires that an accessible, approved manual gas shut-off valve be installed within 6" (15,24 cm) of your dryer.

**Gas dryers installed in residential garages must be raised 18" (46cm) above the floor.**

Dryer Safety
<b>Operation Requirements</b>
Parts and Features
Installation Instructions
Dryer Use
Dryer Care
Troubleshooting
Appendix

Additionally, a 1/8" (0.3cm) N.P.T. (National Pipe Thread) plugged tapping, accessible for test gauge connection, must be installed immediately upstream of your dryer's gas supply connection.

Your dryer must be disconnected from the gas supply pipe system during any pressure testing of the system.

This dryer must be connected to the gas supply piping with a listed flexible gas connector that complies with the standard for connectors for gas appliances, ANSI Z21.24 or CSA 6.10.

**DO NOT** reuse old flexible metal gas lines. Flexible gas lines must be design certified by the American Gas Association (CGA in Canada).

- Any pipe joint compound used must be resistant to the action of any liquefied petroleum gas.
- As a courtesy, most local gas utilities will inspect a gas appliance installation.

**GAS IGNITION** - Your dryer uses an automatic ignition system to ignite the burner. There is no constant burning pilot.

### **COMMONWEALTH OF MASSACHUSETTS INSTALLATION INSTRUCTIONS**

Your dryer must be installed by a licensed plumber or gas fitter. A "T" handle manual gas valve must be installed in the gas supply line to installed dryer at location of operation. If a flexible gas connector is used to connect dryer, the connector may not be longer than 3' (36", 91.5 cm).



#### **WARNING**

- Gas leaks may occur in your system, creating a dangerous situation.
- Gas leaks may not be detected by smell alone.
- Gas suppliers recommend that you purchase and install a UL-approved gas detector.
- Install and use it in accordance with the manufacturer's instructions.

# ELECTRIC REQUIREMENTS

The wiring diagram is located on the back board of the unit.

## WARNING

- The improper connection of the equipment grounding conductor can result in the risk of electric shock. Check with a qualified electrician or serviceman if you are in doubt as to whether your dryer is properly grounded. Do not modify the plug provided with your dryer - if it doesn't fit the outlet, have a proper outlet installed by a qualified electrician.
- To prevent unnecessary risk of fire, electrical shock, or personal injury, all wiring and grounding must be done in accordance with local codes, or in the absence of local codes, with the National Electrical Code, ANSI/NFPA No. 70 - Latest Revision (for the U.S.) or the Canadian Electrical Code CSA C22.1 - Latest Revisions and local codes and ordinances. It is your responsibility to provide adequate electrical services for your dryer.
- All gas installations must be done in accordance with the National Fuel Code ANSI/Z2231 - Latest Revision (for the U.S.) or CAN/CGA - B149 Installation Codes - Latest Revision (for Canada) and local codes and ordinances.

### Electrical connections

An individual branch (or separate) circuit serving only your dryer is recommended. **DO NOT USE AN EXTENSION CORD.**

### Gas models - U.S. and Canada

A 120Volt, 60Hz AC approved electrical service, with a 15 ampere fuse or circuit breaker is required.

### Electric models - U.S. only

Most dryers require a 240 volt, 60Hz AC approved electrical service. Some require 208 volt, 60Hz approved electrical service. The electric service requirements can be found on the data label located behind the door. A 30-ampere fuse or circuit breaker on both sides of the line is required.

- If a power cord is used, the cord should be plugged into a 30-ampere receptacle.
- The power cord is NOT provided with U.S. electric model dryers.

 **WARNING****Electrical Shock Hazard**

When local codes allow, the electrical supply of the dryer may be connected by means of a new power supply cord kit, marked for use with a dryer, that is UL listed and rated at a minimum of 120/240 volts, 30-ampere with three No. 10 copper wire conductors terminated with closed loop terminals, open-end spade lugs with turned up ends, or with tinned leads.

- Do not reuse a power supply cord from an old dryer. The power cord electric supply wiring must be retained at the dryer cabinet with a suitable UL-listed strain relief.
- Grounding through the neutral conductor is prohibited for (1) new branch-circuit installations, (2) mobile homes, (3) recreational vehicles, and (4) areas where local codes prohibit grounding through the neutral conductor. (Use a 4-prong plug for 4 wire receptacles, NEMA type 14-30R.)

**Electric models - Canada only**

- A 240 volt, 60Hz AC approved electrical service fused through a 30-ampere fuse or circuit breaker on both sides of the line is required.
- All Canadian models are shipped with the power cord attached. The power cord should be plugged into a 30-ampere receptacle.
- In Canada, you may not convert a dryer to 208 volts.

## GROUNDING

This dryer must be grounded. In the event of a malfunction or breakdown, the grounding the product will reduce the risk of electrical shock by providing a path of least resistance for the electrical current.

### WARNING

#### **Gas and Electric models**

- Certain internal parts are intentionally not grounded and may present a risk of electric shock only during servicing. Service Personnel – Do not contact the following parts while the appliance is energized: inlet valve, control board and temperature-regulating thermistor (located on blower housing).

### WARNING

#### **Gas models**

- Your dryer has a three prong power cord with grounding conductor. 120V 60 Hz
- The plug must be plugged into an appropriate individual outlet that is properly installed and grounded in accordance with all local codes and ordinances.

### WARNING

#### **Electric models**

Dryer must be grounded with 3 or 4 wire cord power cord with ground grounding conductor and a grounding plug, which is sold separately.

- The plug must be plugged into an appropriate outlet that is properly installed and grounded in accordance with all local codes and ordinances.
- Do not modify the plug provided with your dryer - if it doesn't fit the outlet, have a proper outlet installed by a qualified electrician.
- If a power cord is not used and the electric dryer is to be permanently wired, the dryer must be connected to a permanently grounded metal wiring system, or an equipment grounding conductor must be run with the circuit conductors and connected to the equipment grounding terminal or lead on the dryer.

# PARTS AND FEATURES

Dryer  
Safety

Operation  
Requirements

Parts and  
Features

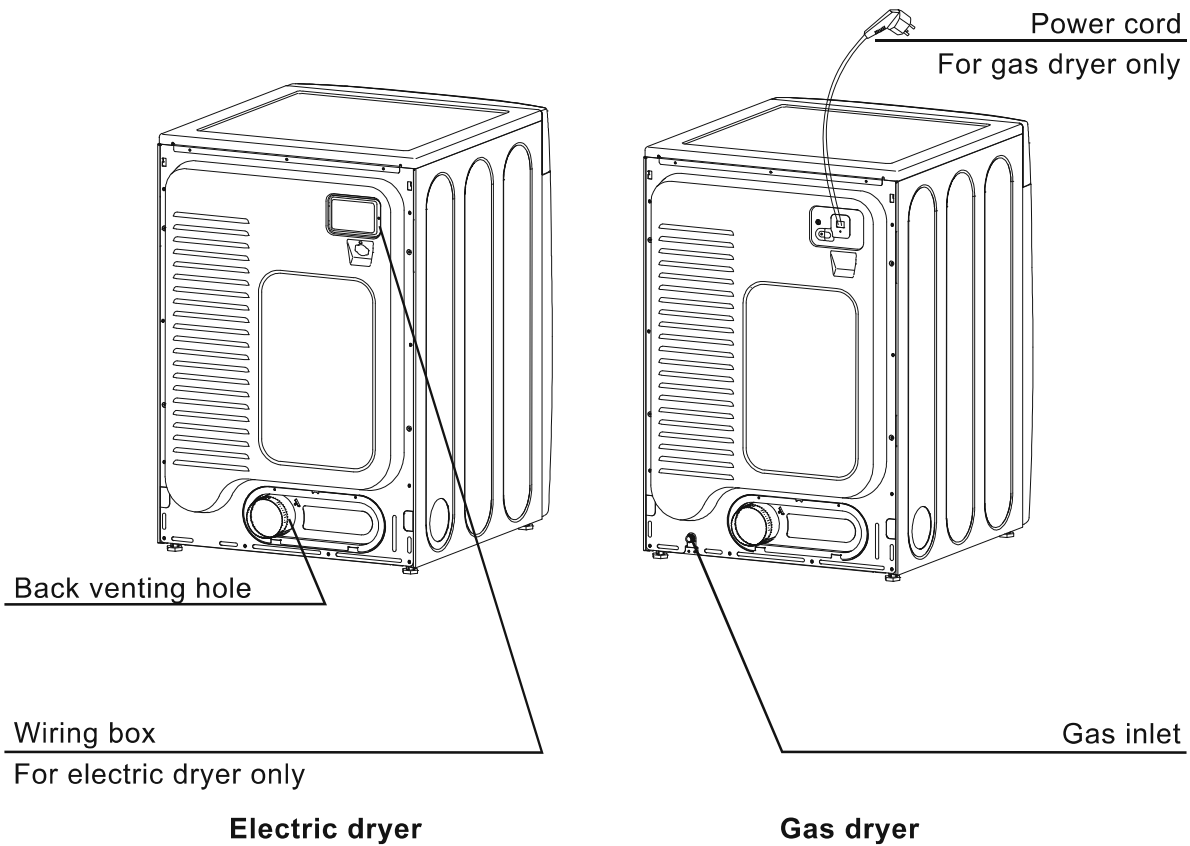
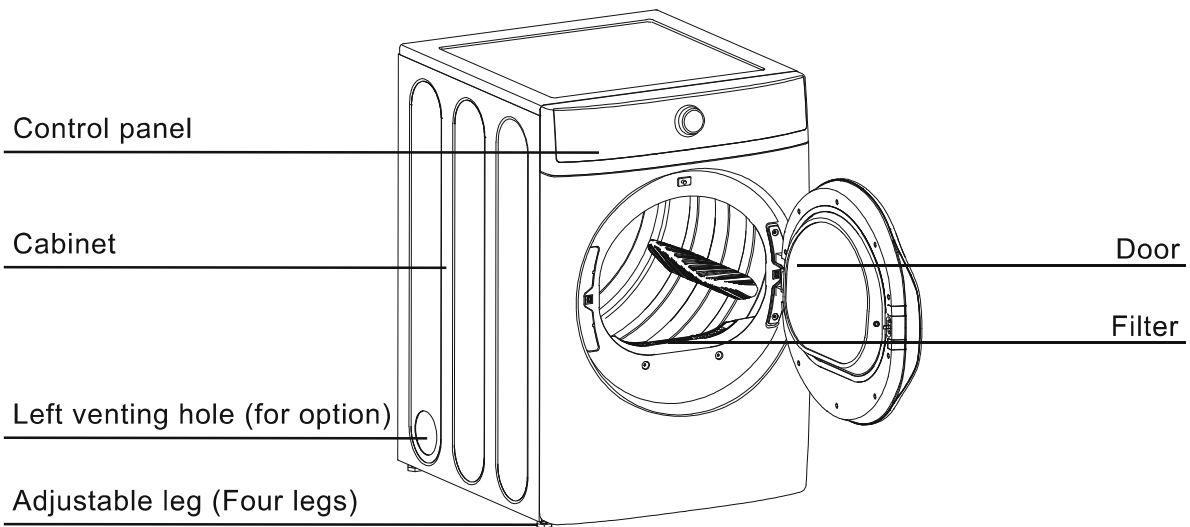
Installation  
Instructions

Dryer Use

Dryer Care

Troubleshooting

Appendix



## REPLACEMENT PARTS AND ACCESSORIES

If your dryer requires replacement parts or accessories, contact the dealer where you purchased your dryer or **MIDEA** customer care center at **1-866-646-4332**.

# INSTALLATION INSTRUCTIONS

For the proper installation, we recommend that you hire a qualified installer.

## REMOVING FROM THE PACKAGE

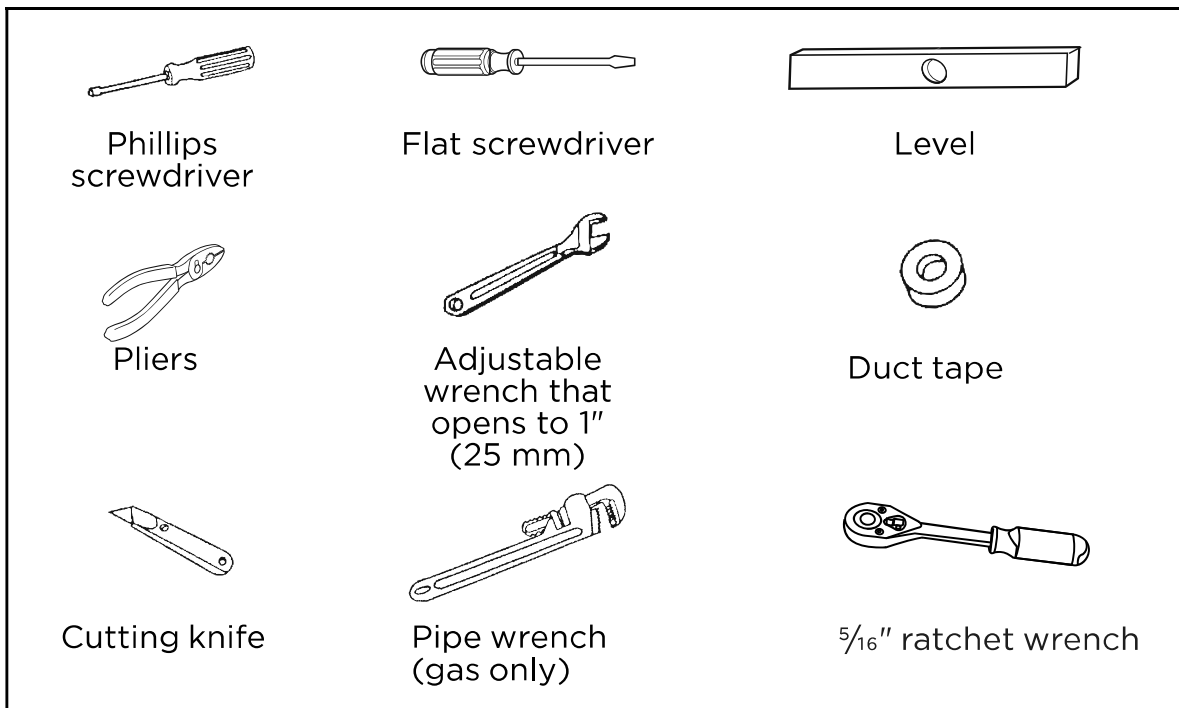
- Unpack your dryer and inspect it for shipping damage. Make sure you have received all the items shown below.
- To prevent personal injury or strain, wear protective gloves whenever lifting or carrying the unit.

### **WARNING**

Packaging materials can be dangerous to children;

Keep all packaging material (plastic bags, polystyrene, etc.) well out of children's reach.

## TOOLS REQUIRED

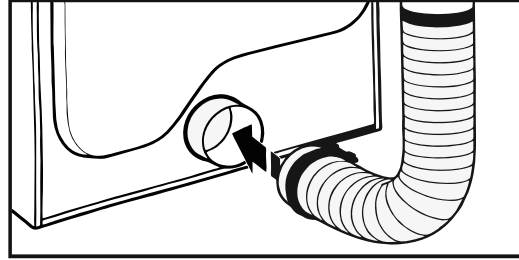
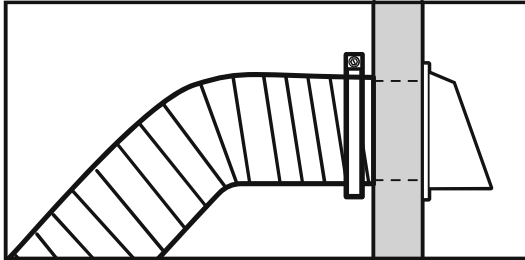


## CHOOSE THE PROPER LOCATION

1. Move your dryer to an appropriate location for the installation. Consider installing the dryer and washer side-by-side, to allow access to the gas, electrical, and exhaust connections.
2. To move the dryer easily, lay the carton cushions from the packaging on the floor. Tip the dryer on its side so it lies across both cushion-tops. Push the dryer so that it is near its final location, and then set the dryer upright.

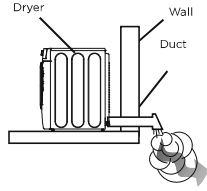
## INSTALL THE EXHAUST SYSTEM

1. Review the “Exhausting Requirements” section on before installing the exhaust system.
2. Install the ductwork from your dryer to the exhaust hood. The crimped end of the duct sections must point away from your dryer.
3. DO NOT use sheet metal screws when assembling the ducting.
4. These joints should be taped.
5. Never use plastic flexible exhaust material.
6. Tip for tight installations: install a section of the exhaust system onto your dryer before putting it in place.
7. Use duct tape to secure this section to your dryer, but do not cover the ventilation slots at the back of the unit in dryer cabinet.

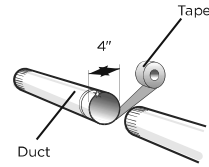


**! WARNING**

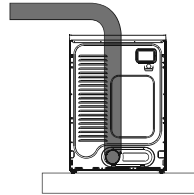
Make sure your dryer is installed properly so it exhausts air easily.



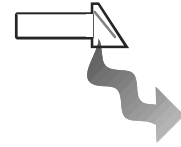
Use a 4" (10.2 cm) diameter rigid metal duct. Tape all joints, including at the dryer. Never use lint-trapping screws.



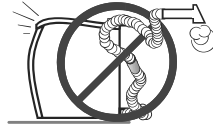
Keep ducts as straight as possible.



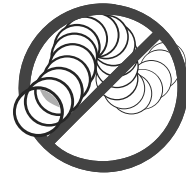
Clean all old ducts before installing your new dryer. Be sure the vent flap opens and closes freely. Inspect and clean the exhaust system annually.



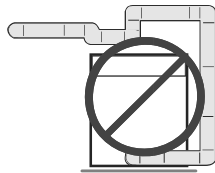
DO NOT restrict your dryer with a poor exhaust system.



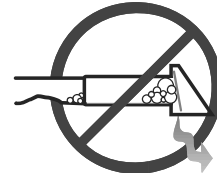
DO NOT use a plastic, thin foil, or non-metal flexible duct.



DO NOT use unnecessarily long ducts that have many elbows.



DO NOT use dented or clogged ducts and vent.



## CONNECT THE GAS LINE (FOR GAS MODELS)

Review the “**Gas Requirements**” section on page 15. Remove the pipe thread protective cap.

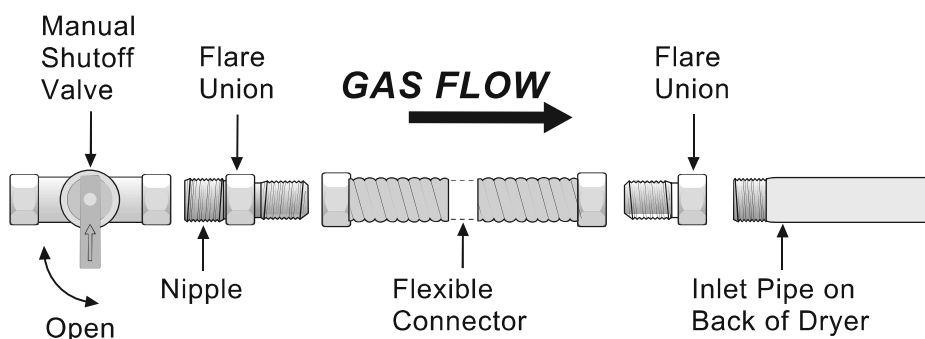
Apply a pipe joint compound or about 1½” wraps of teflon tape over all threaded connections.

- The pipe joint compound must be resistant to the actions of any liquefied petroleum gas.

Connect the gas supply to your dryer. An additional fitting is required to connect the ¾” (1.9 cm) female thread end of a flexible connector to the ⅜” (1 cm) male threaded end on the dryer. Use only new AGA or CSA certified gas supply line with SS flexible connectors. within 6 ft (1.8 m) of the dryer

Securely tighten the gas line fitting over the threads.

Turn on the gas supply.



All connections must be wrench-tightened

### **WARNING**

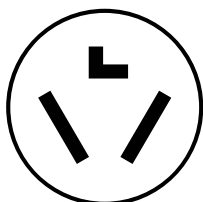
- All gas installations of the dryer must be equipped with Manual Shut-Off valve.
- Uncoated copper tubing will corrode when subjected to natural gas, causing gas leaks. Use ONLY black iron, stainless steel, or plastic-coated brass piping for gas supply.
- Check all gas connections for leaks using a soap solution.
- If bubbles appear, tighten the connections and recheck. DO NOT use an open flame to check for gas leaks.

# CONNECT THE ELECTRICAL WIRING

Review the “**Electric Requirements**” section on page 17.

BEFORE OPERATING OR TESTING, follow the grounding instructions in the “**Grounding**” section on page 19.

## THREE WIRE OUTLET



3-Wire  
receptacle  
(10-30R)

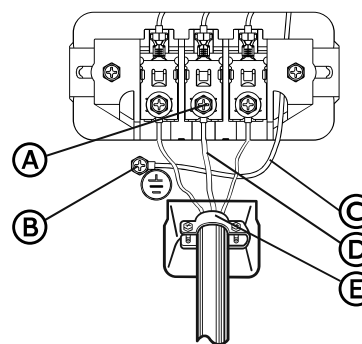
Then choose a 3-wire power supply cord with ring or spade terminals and UL listed strain relief. The 3-wire power supply cord, at least 4 ft. (1.22 m) long, must have 3 10-gauge solid copper wires and match a 3-wire receptacle of NEMA Type 10-30R.

### 3-Wire system connections

1. Remove the center terminal block screw.
2. Connect the neutral wire (white or center wire) of the power cord to the center terminal screw of the terminal block. Be sure to cross the screw through the ring of the power cord terminal and tighten the screw.
3. Connect the other wires to the outer terminal block screws. Be sure to cross the screw through the terminal ring and tighten the screw.
4. Tighten the strain relief screws.
5. Insert the tab of the terminal block cover into your dryer’s rear panel slot. Secure the cover with a screw.

3-wire system instructions:

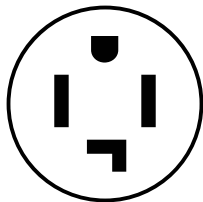
- Ⓐ Center terminal block screw
- Ⓑ External ground connector
- Ⓒ Neutral grounding wire (White)
- Ⓓ Neutral wire (white or center wire)
- Ⓔ  $\frac{3}{4}$ " (1.9cm) UL-listed strain relief



### WARNING

If converting from a 4-wire electrical system to a 3-wire, the neutral grounding wire must be connected to the external ground connector to ground the dryer frame to the neutral conductor. Ring-type terminals are recommended. If using strap terminals, make sure they are tightened.

## FOUR WIRE OUTLET



4-Wire  
receptacle  
(14-30R)

Then choose a 4-wire power supply cord with ring or spade terminals and UL listed strain relief. The 4-wire power supply cord, at least 4 ft. (1.22 m) long, must have 4 10-gauge solid copper wires and match a 4-wire receptacle of NEMA Type 14-30 R. The ground wire (ground conductor) may be either green or bare. The neutral conductor must be identified by a white color.

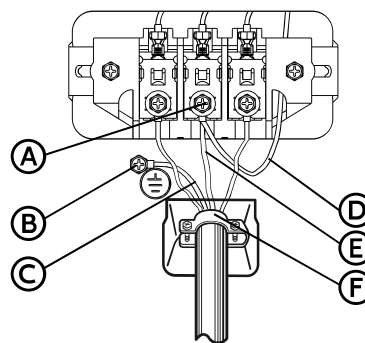
### 4-Wire system connections

1. Remove the center terminal block screw.
2. Connect the ground wire (green or unwrapped) of the power cord to the external ground conductor screw.
3. Connect the neutral wire (white) of power cord and the appliance neutral grounding wire (white) under the center screw of terminal block. Be sure to cross the screw through the ring of the power cord and appliance neutral grounding wire. Tighten screw.
4. Connect the other wires to the outer terminal block screws. Be sure to cross the screw through the terminal ring and tighten the screw.
5. Tighten the strain relief screws.
6. Insert the tab of the terminal block cover into your dryer's rear panel slot. Secure the cover with a screw.

4-wire system instructions:

**IMPORTANT:** Ring-type terminals are recommended. If using strap terminals, make sure they are tightened.

- (A) Center terminal block screw
- (B) External ground connector
- (C) Green or bare copper wire of the power cord
- (D) Neutral grounding wire (White)
- (E) Neutral wire (white)
- (F)  $\frac{3}{4}$ " (1.9cm) UL-listed strain relief



 **WARNING**



**Electrical Shock Hazard**

All U.S. models are produced for a **3-WIRE SYSTEM CONNECTION**.

The dryer frame is grounded to the neutral conductor at the terminal block. A **4-WIRE SYSTEM CONNECTION** is required for new or remodeled construction, mobile homes, or if local codes do not permit grounding through neutral conductor. If the 4-wire system is used, the dryer frame cannot be grounded to the neutral conductor at the terminal block. Refer to the “**Electric Requirements**” section on page 17 for 3-WIRE or 4-WIRE SYSTEM CONNECTIONS.

Remove the terminal block cover plate.

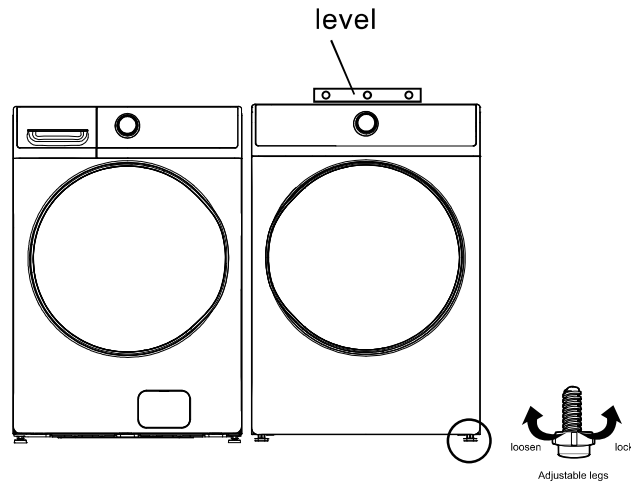
Insert the power cord with a UL-listed strain relief through the hole provided in the cabinet near the terminal block. Be sure they are tight. Use a  $\frac{3}{8}$ " (1 cm) deep-well socket.

- A strain relief must be used.

## LEVEL THE DRYER

To ensure that the dryer provides the optimal drying performance, it must be leveled. To minimize vibration, noise, and unwanted movement, the floor must be a perfectly level, solid surface.

- Adjust the leveling feet only as much as necessary to level the dryer. Extending the leveling feet more than necessary can cause the dryer to vibrate.



## POWER ON

Make sure all gas connections (Gas Models only), exhaust and electrical connections are complete. Plug in your dryer.

## FINAL CHECK

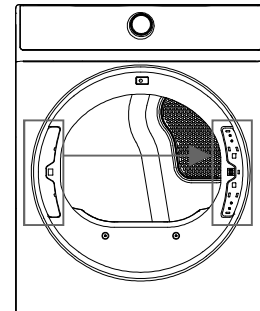
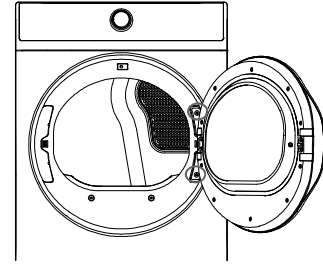
- Make sure the dryer is plugged into an electrical outlet and is properly grounded.
- The exhaust ductwork is hooked up and the joints are taped.
- A plastic flexible duct is NOT used.
- Use rigid or stiff-walled flexible metal vent material.
- The dryer is leveled and is sitting firmly on the floor.
- Gas models - the gas is turned on with no gas leakage.
- Start your dryer to confirm that it runs, heats, and shuts off.

### **!** CAUTION

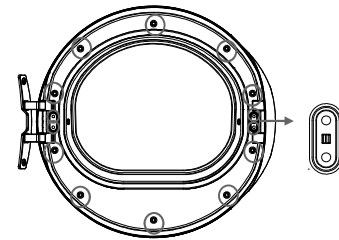
The burner may not ignite initially due to air in the gas line. Allowing your dryer to operate on a heat setting will purge the line. If the gas does not ignite within 5 minutes, turn your dryer off and wait 5 minutes. Be sure the gas supply to your dryer has been turned on. In order to confirm the gas ignition, check the exhaust for heat.

## DOOR REVERSAL PROCEDURE

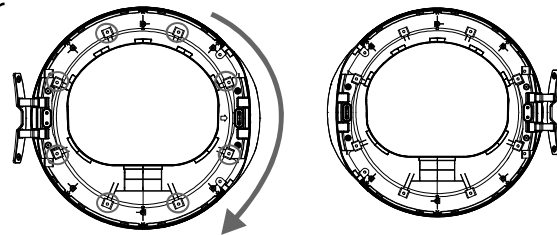
1. Unplug the power cord.
2. Remove the two hinge screws from the door.
3. Remove the door by lifting it.
4. Using a flat-blade screwdriver, remove the hinge hole cover.
5. Install the hinge hole cover on the opposite side.



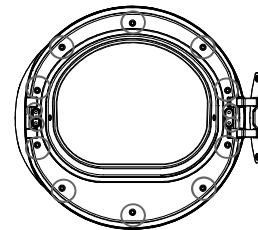
6. Remove the 14 screws from the back cover and then remove the back cover and the door pin.



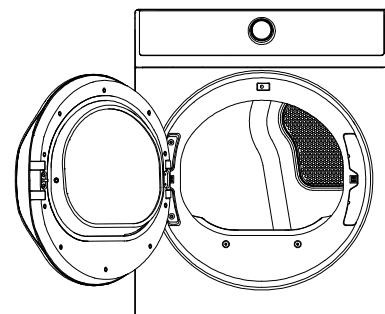
7. Remove the 8 screws from the inner door and rotate the rest parts for 180 degrees.



8. Assemble the inner door and the back cover, place the door pin on the opposite side and then fasten the 14 screws that removed in Step 6.



9. Install the door on the frame-front and then fasten the 2 screws that were removed in Step 2.

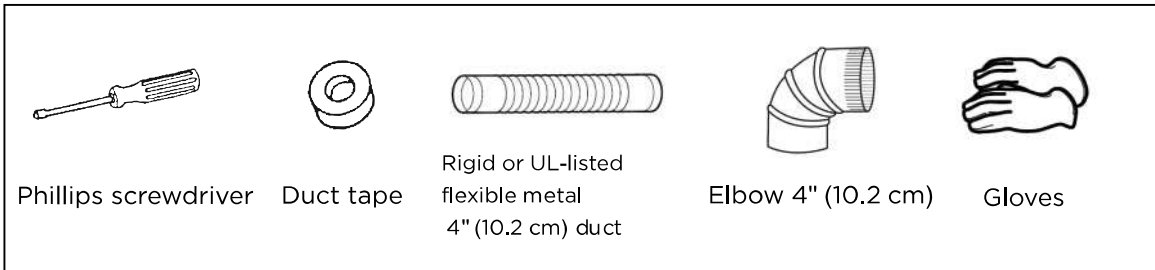


# CHANGE THE DRYER VENT LOCATION

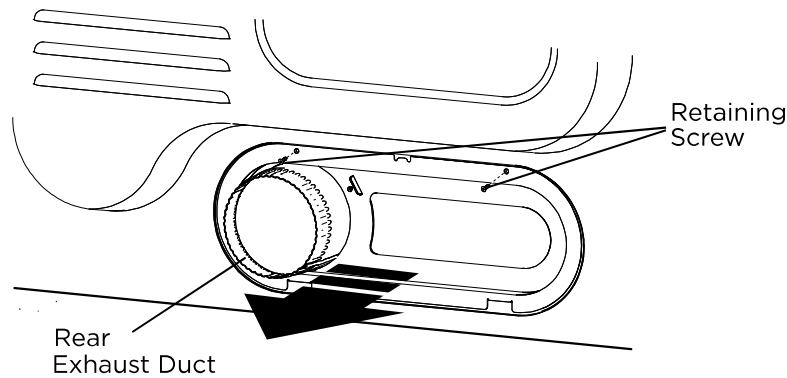
Your new dryer is shipped to vent to the rear. It can also be configured to vent to the bottom or left side (see from the front).

An Adapter kit is standard component which you can purchase from local market.

## Tools and materials you will need

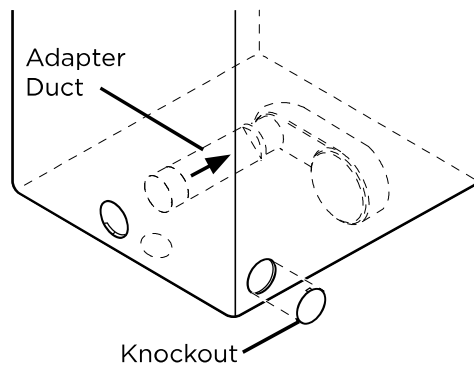


1. Remove the rear exhaust retaining screws. Pull out the exhaust duct.

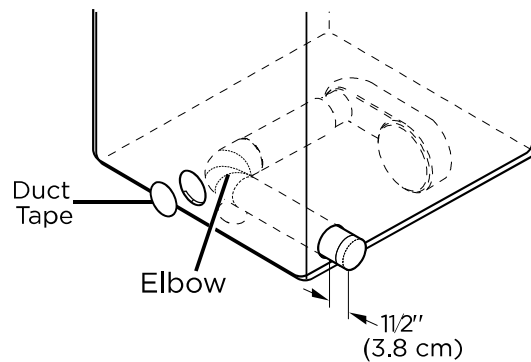


### Option 1: Side venting

2. Press the tabs on the knockout and carefully remove the knockout for the desired vent opening.  
Press the adapter duct onto the blower housing of the dryer as shown.

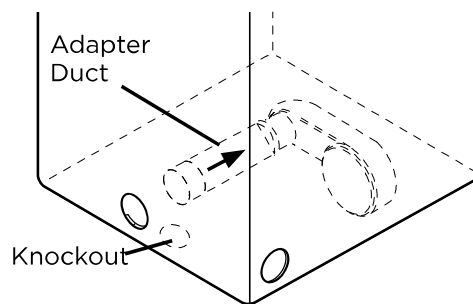


3. Preassemble a 4 inches (10.2cm) elbow to the next 4 inches (10.2cm) duct section, and secure all joints with duct tape. Be sure that the male end of the elbow faces AWAY from the dryer. Insert the elbow/duct assembly through the side opening and press it onto the adapter duct. Secure in place with duct tape. Be sure that the male end of the duct protrudes 1.5 inches (3.8cm) to connect the remaining ductwork. Duct tape the knockout removed to the opening in the back of the dryer.

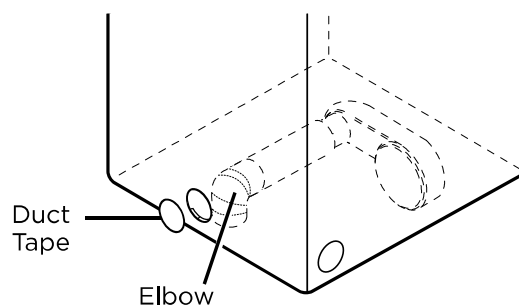


### Option 2: Bottom venting

2. Press the tabs on the knockout and carefully remove the knockout for the desired vent opening. Press the adapter duct onto the blower housing of the dryer as shown.

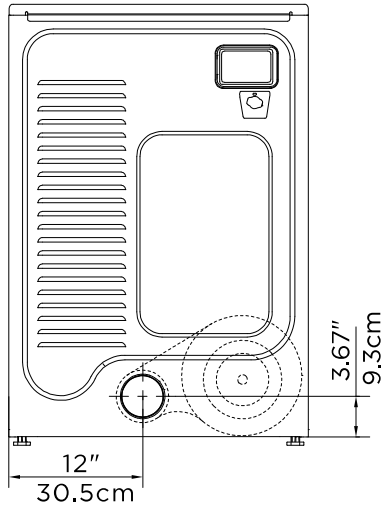


3. Insert the 4 inches (10.2cm) elbow through the rear opening and press it onto the adapter duct. Be sure that the male end of the elbow faces down through hole in the bottom of the dryer. Secure in place with duct tape. Duct tape the knockout removed to the opening in the back of the dryer.

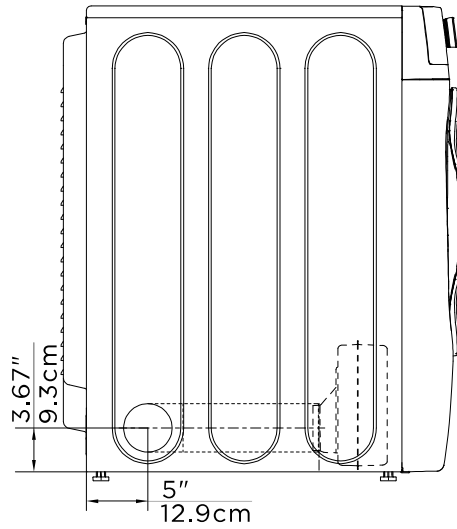
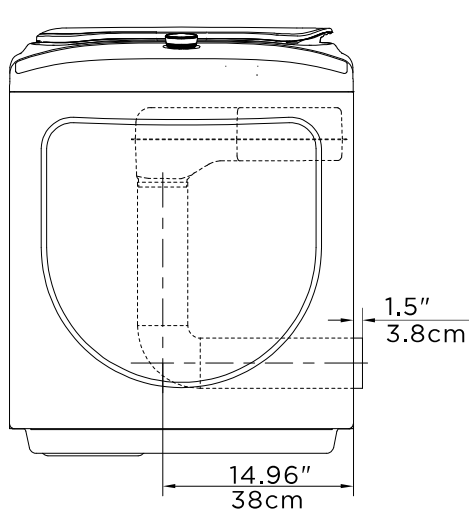


## Dimensions for installation

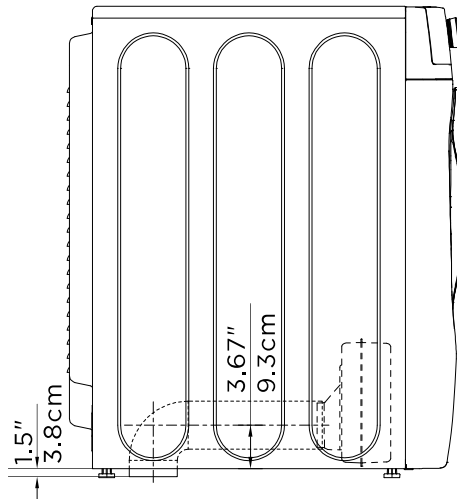
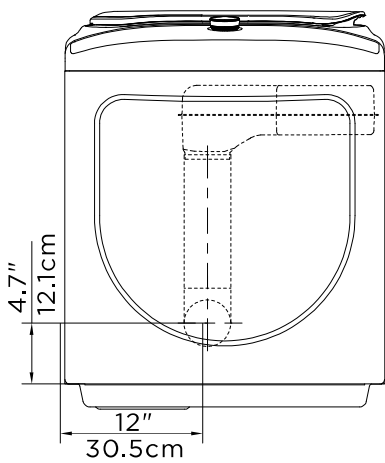
- Rear Venting (Default)



- Side Venting



- Bottom Venting

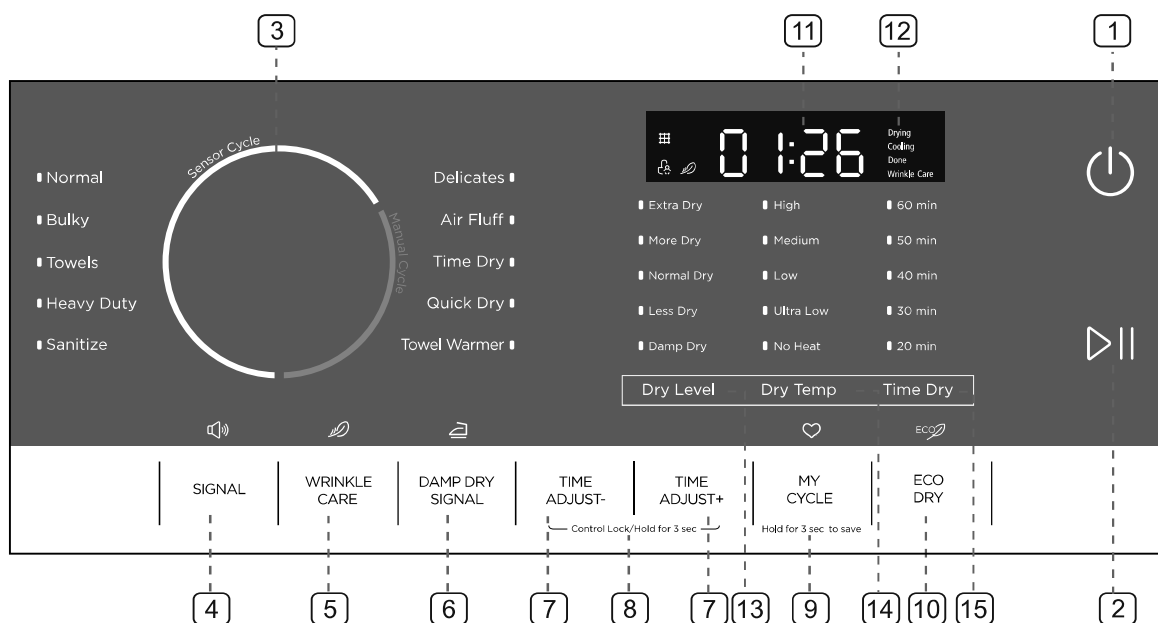


# DRYER USE

## CONTROL PANEL

### WARNING

To reduce the risk of fire, electric shock, or injury to persons, read the IMPORTANT SAFETY INSTRUCTIONS before operating the appliance.



### **1 Power button**

Press to turn your dryer on or off. If your dryer is on for more than 10 minutes without any buttons being pressed, it automatically turns off.

### **2 Start/Pause button**

Press to start or pause the program. You can't change any setting except add a garment.

### **3 Cycle selector**

Select your desired cycle for the type of load.

The cycle you select determines the heat control for the cycle.

The Normal, Delicates, Bulky, Towels, Heavy Duty and Sanitize cycles are Sensor Dry cycles.

The Air Fluff, Time Dry, Quick Dry and Towel Warmer cycles are Manual Dry cycles.

**4 Signal**

Press once to stop the beeping sound.

Press again to activate the sound.

Your selection will be kept until next pressing.

A double beep means selection not available.

**5 Wrinkle Care**

Press once to add the Wrinkle Care step into the operating program.

Press again to cancel selection.

Wrinkle Care provides approximately 90 minutes of intermittent tumbling in unheated air at the end of the cycle to reduce wrinkling. The load is already dry, and can be removed at any time during the Wrinkle Care cycle.

**6 Damp Dry Signal**

This function is useful when you want to take some garments out for ironing. The unit will beep 6 times when the moisture in the clothes is good for ironing. At this time, you can take those garments out and continue drying the other by pressing the “START/PAUSE” button once.

**NOTE:** The unit will not stop operating if you don't take those garments out for ironing.

**7 Time adjust**

These buttons are effective only for Manual cycles. Push these buttons to change the drying time you prefer. Push repeatedly to get your desired drying time.

**8 Control lock**

Press the “Time Adjust-” and “Time Adjust+” together to activate the Control lock function. Press again for another 3 seconds to deactivate the function. All buttons except the “Power” will be out of function when Control lock is activated.

**9 My cycle**

Press and hold for 3 seconds to remember your favorite drying cycle. Press once to load your favorite cycle setting.

**10 Eco Dry**

Press to select the Eco Dry cycle. This function will reduce the energy consumption by reducing drying temp but increasing operation time.

**11 Digital display**

This digital will display the time of cycle you are setting or remaining time of cycle operating.

**12 Cycle status display**

The relative indicator graphic or text will be lit when the dryer is in its drying program, When the whole program is finished, the “Done” indicator graphic will flash to remind you to unload your laundry.

**13 Dry Level**

Press the button to select the dryness level. Different dryness level will result in different drying time. For clothes to be ironed manually, a lower dryness level should be selected.

**14 Dry Temp**

Press the button to select the drying temperature.

High - For sturdy cottons or those labeled Tumble Dry.

Medium - For permanent press, synthetics, lightweight cottons, or items labeled Tumble Dry Medium.

Low - For lower heat than Medium to dry synthetic or washable knit fabrics.

Ultra Low - For heat sensitive items labeled Tumble Dry Low or Tumble Dry Warm.

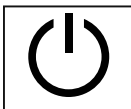
No Heat - Provides just the air cycle without any heat.

**15 Time Dry**

This button is a quick selection for Time Dry setting.


# DRYING A LOAD OF LAUNDRY

## 1. Power on your dryer.



- Press this Power button to power your dryer on.



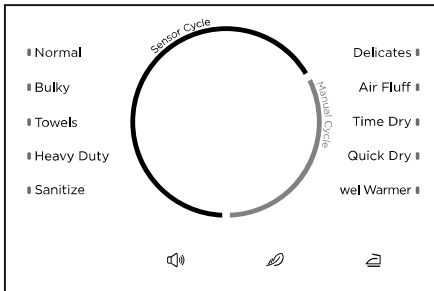
- The “” (Clean Filter) indicator graphic in the display will flash 10 times when your dryer is powered on.
- You should clean the filter before the dryer is loaded.

## 2. Load your dryer.



- Place only one wash load in your dryer at a time.
- Mixed loads of heavy and light weight fabrics will dry differently, which may result in lightweight fabrics being dry while heavy fabrics remain damp at the end of a drying cycle.
- Add one or more similar items to your dryer when only one or two articles of clothing need drying. This improves the tumbling action and drying efficiency.
- Overloading restricts tumbling action, resulting in uneven drying as well as excessive wrinkling of some fabrics.

## 3. Select the appropriate cycle and options for the load.



- Select the appropriate cycle by using the Cycle Selector according to the cycle chart on page 37.
- Select the appropriate optional function by using the buttons according to the chart on page 37.

**Note:** A double beep means selection not available.



- **Your favorite drying Cycle**  
Once you have set the cycle selector and option function, you can push and hold the “**My Cycle**” button for 3 seconds to save this setting as your favorite cycle before starting the unit. The light beside the knob will flash to confirm setting was saved to memory with beeps.
- You can finish this Step by just pushing the “**My Cycle**” button once to use your favorite cycle or make some additional change.

## 4. Start your dryer.



Pressing **Start/Pause** button will start the selected cycle. To PAUSE cycle press **Start/Pause** button then open the door. To resume operation after closing the door always press **Start/Pause**. Opening the door during the operation will instantly stop operation and will require to press **Start/Pause** button to resume operation.

Cycle	Fabric type	Dry Temp	Dry Level	Time Dry	WRINKLE CARE	DAMP DRY SIGNAL	TIME ADJUST	ECO DRY	Default time (Elec.)	Default time (Gas)	Maximum Amount
Normal	Cotton Under wear Linen	Medium	Extra Dry	N	Y	Y	N	Y	61min	61min	
			More Dry								
			Normal Dry								
			Less Dry								
			Damp Dry								
Bulky	Blankets Sheets Comforters	Medium	Extra Dry	N	Y	N	N	Y	42min	42min	
			More Dry								
			Normal Dry								
			Less Dry								
			Damp Dry								
Towels	Towels Heavy cottons	High	Extra Dry	N	Y	Y	N	Y	50min	50min	
			More Dry								
			Normal Dry								
			Less Dry								
			Damp Dry								
Heavy Duty	Jeans Corduroys Work clothes	High	Extra Dry	N	Y	Y	N	Y	54min	54min	
			More Dry								
			Normal Dry								
			Less Dry								
			Damp Dry								
Sanitize	Bedding Curtains	High	Extra Dry	N	Y	N	N	N	62min	62min	
Delicates	Sensitive items	Low	Extra Dry	N	Y	Y	N	Y	25min	25min	
			More Dry								
			Normal Dry								
			Less Dry								
			Damp Dry								
Air Fluff		No Heat		Y	N	N	Y	N	20min	20min	
Time Dry	/	High		Y	Y	N	Y	N	40min	40min	
		Medium									
		Low									
		Ultra Low									
		No Heat									
Quick Dry		High	/	Y	Y	N	Y	N	30min	30min	
		Medium									
		Low									
		Ultra Low									
		No Heat									
Towel Warmer	Towels	High	/	Y	N	N	Y	N	20min	20min	
		Medium									
		Low									
		Ultra Low									
		No Heat									

\* Table in grey is an initial setting. "Y" are all optional functions you can select.

\* For even better drying effect, please select higher dryness level.

\* To save energy, the default setting for Normal cycle is Normal+Medium+Normal Dry+ECO DRY. If you have a large quantity of clothing, and want a faster drying speed, you can press "ECO DRY" once to cancel this option.

\* FOLLOW GARMENTS LABELS REQUIREMENTS.

### Load Size Recommendations:

For best results, follow the wet load size recommendations noted for each cycle.

**Small load:** Fill the dryer drum with 3-4 items, not more than 1/4 full.

**Medium load:** Fill the dryer drum up to about 1/2 full.

**Large load:** Fill the dryer drum up to about 3/4 full. Do not overload. Items need to tumble freely.

## 5. Unloading your laundry.



- After the cycle is done, the “Done” indicator graphic will flash, and the dryer will beep 6 times.

## CONTROL LOCK



Your dryer has a control lock feature to prevent children from playing with your dryer. When you turn on the control lock, the only button that works is **Power**.

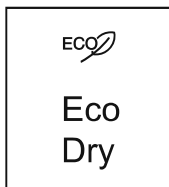
- You can turn on your dryer, set this function, then turn it off.
- When you do so, even if the unit is powered on, you still cannot start it before the Control Lock function is deactivated.
- This function will not be cancelled if your unit loses power, such as when you unplug it or the power turns off.

Press and hold both the “**TIME ADJUST +**” and “**TIME ADJUST -**” buttons for three seconds.

The control lock icon turns on.

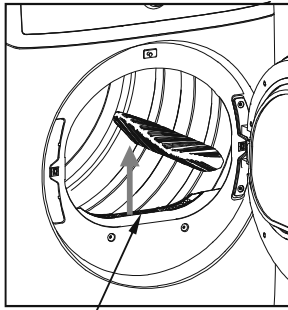
To turn off the control lock, press and hold both the “**TIME ADJUST +**” and “**TIME ADJUST -**” buttons for three seconds.

## ECO DRY



- This function will reduce the energy consumption by reducing drying temp but increasing operation time.

## FILTER CLEAN



Lint filter

To prevent a risk of fire, make sure to clean the lint filter before or after every load.

- To shorten drying time.
- To operate more energy efficiently.

### **!** CAUTION

- Do not operate your dryer without the lint filter in place.
- Do not use a damage or broken lint filter. This may reduce performance and/or cause fire.

## USING THE DRYING RACK

Use manual cycles for the occasional damp load that needs a little more drying time or when using the drying rack.

If you don't have a drying rack (#12138200003542) for this dryer but want one, contact the dealer where you purchased your dryer or MIDEA customer care center at 1-866-646-4332.

Remove and discard any packing material before use. Keep the instruction for reference. Use the Drying Rack for items that you do not want to tumble dry, such as sweaters and tennis shoes. When you use the drying rack, the drum continues to turn, but the rack remains stationary.

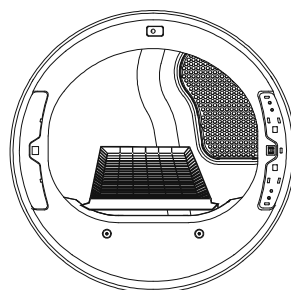
The rack is designed for use with manual cycles only, not sensor cycles.

### To use the drying rack:

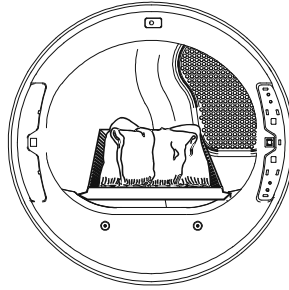
### **!** CAUTION

- Do not remove the lint screen.

1. Open dryer door.



- Align the two hooks on the front of the drying rack with the holes in the dryer door opening and press down fully into holes. Rest the rear support on the dryer back ledge.



- Place wet items on top of the drying rack. Allow space around items for air to circulate. The drying rack does not move, but the drum will rotate; be sure to leave adequate clearance between items and the inside of the dryer drum. Make sure items do not hang over the edges or between drying rack grille.
- Close the door.
- Select **Time Dry**. Select the **No Heat, Low** or **Ultra Low** Temp setting. Items containing foam, rubber, or plastic must be dried on a clothesline or by using the No Heat temp setting.
- When the cycle is selected, the Estimated Time Remaining display shows the default time. You can change the actual time in the cycle by increasing or decreasing the cycle time.
- Press START/PAUSE.

**NOTE:** Check the lint screen and remove any lint accumulated from items dried on the drying rack after the cycle is finished.

## SPECIAL LAUNDRY TIPS

Please follow the care label or manufacturer’s instructions for drying special items. If care label instructions are not available, use the following information as a guide.

Items	Drying guide
<b>Bedspreads &amp; Comforters</b>	<ul style="list-style-type: none"> <li>Follow the care label instructions or dry in Bulky cycle.</li> <li>Make sure the item is thoroughly dry before using or storing.</li> <li>May require repositioning to ensure even drying.</li> </ul>
<b>Blankets</b>	<ul style="list-style-type: none"> <li>Use the Normal cycle and dry only one blanket at a time for best tumbling action.</li> <li>Make sure the item is thoroughly dry before using or storing.</li> <li>May require repositioning to ensure even drying.</li> </ul>

Items	Drying guide
<b>Curtains &amp; Draperies</b>	<ul style="list-style-type: none"> <li>• Use the Casual cycle, medium temperature and less dry to help minimize wrinkling.</li> <li>• Dry these in small loads for best results and remove as soon as possible.</li> </ul>
<b>Cloth Diapers</b>	<ul style="list-style-type: none"> <li>• Use the Normal cycle on High temperature for soft fluffy diapers.</li> </ul>
<b>Down Filled Items (jackets, sleeping bags, comforters, etc.)</b>	<ul style="list-style-type: none"> <li>• Use the Normal cycle on medium temperature.</li> <li>• Add a couple of dry towels to shorten drying time and absorb moisture.</li> </ul>
<b>Foam Rubber (rug backs, stuffed toys, shoulder pads, etc.)</b>	<ul style="list-style-type: none"> <li>• DO NOT dry on a heat setting. Use the Air Fluff cycle (no heat).</li> </ul> <p><b>WARNING:</b> Drying a rubber item with heat may damage it or create a fire hazard.</p>
<b>Pillows</b>	<ul style="list-style-type: none"> <li>• Use the Normal cycle.</li> <li>• Add a couple of dry towels and a pair of clean sneakers to help the tumbling action and to fluff the item.</li> </ul> <p>DO NOT dry kapok or foam pillows in the dryer. You can dry these items in the dryer as long as you use the air fluff cycle.</p>
<b>Plastics (shower curtains, outdoor furniture covers, etc.)</b>	<ul style="list-style-type: none"> <li>• Use the Air fluff cycle or the Time Dry cycle on the Low or Ultra Low temperature setting depending on the care label instructions.</li> </ul>

Items NOT to dry:

- Fiberglass items (curtains, draperies, etc.)
- Woolens, unless recommended on the label.
- Items spotted or soaked with vegetable or cooking oils.

Dryer  
Safety

Operation  
Requirements

Parts and  
Features

Installation  
Instructions

**Dryer Use**

Dryer Care

Troubleshooting

Appendix

# DRYER CARE

## WARNING

- Certain internal parts are intentionally not grounded and may present a risk of electric shock only during servicing. Service Personnel – Do not contact the following parts while the appliance is energized: inlet valve, control board and temperature-regulating thermistor (located on blower housing).

## CLEANING AND MAINTENANCE

### CONTROL PANEL

- Clean with a soft, damp cloth. Do not use abrasive substances.
- Do not spray cleaners directly on the panel.
- The control panel finish may be damaged by some laundry pre-treatment soil and stain remover products. Apply such products away from your dryer and wipe up any spills or overspray immediately.

### STAINLESS STEEL OR ANODIZED DRUM

- To clean the stainless steel or anodized drum, use a damp cloth with a mild, non-abrasive cleaner suitable for stainless steel and anodized surfaces.
- Remove the cleaner residue and dry with a clean cloth.

### DRYER EXTERIOR

- Clean with a soft, damp cloth. Do not use abrasive substances.
- Protect the surface from sharp objects.
- Do not place any heavy or sharp objects or a detergent box on the dryer. Keep them on the purchased pedestal or in a separate storage box. This may scratch or damage the top cover of the dryer.
- Since the entire dryer has a high-gloss finish, the surface can be scratched or damaged.
- Avoid scratching or damaging the surface when using the dryer.

### DRYER EXHAUST SYSTEM

- Should be inspected and cleaned yearly to maintain optimum performance.
- Disconnect the exhaust duct from the dryer and from the exhaust hood (at the exhaust outlet) outside of the building.
- Check the interior of the duct and remove any lint accumulation.
- Be sure that lint is removed from the exhaust hood. Lint may collect in the exhaust hood so that the flappers or louvers will not open or close completely.

- After cleaning the exhaust hood, check that the flapper or louvers move freely.
- Reassemble the exhaust duct and hood, checking that the joints are secure and sealed.
- Operate the dryer and verify that the exhaust air is not obstructed in the vent and that there are no leaks in the system.
- The outside exhaust hood should be cleaned more frequently to ensure proper operation.

## TROUBLESHOOTING

### CHECK THESE SOLUTIONS IF YOUR DRYER...

If your dryer has any problems as followings, you can check as the solutions listed below before making a service call. This will help you save time and money.

Problem	Solution
<b>The unit doesn't start.</b>	<ul style="list-style-type: none"> <li>● Make sure the door is latched shut.</li> <li>● Be sure the power cord is plugged into a live electrical outlet.</li> <li>● Check the home's circuit breaker and fuses.</li> <li>● Press the Start/Pause button again if the door is opened during the cycle.</li> </ul>
<b>The unit doesn't heat.</b>	<ul style="list-style-type: none"> <li>● Check the home's circuit breaker and fuses.</li> <li>● Select a heat setting other than Air fluff and the Temp selection is not on "No heat"</li> <li>● On a gas dryer, check that the gas supply is on.</li> <li>● Clean the lint filter and exhaust duct.</li> <li>● Dryer may have moved into the cool-down process of the cycle.</li> </ul>
<b>Doesn't dry.</b>	<ul style="list-style-type: none"> <li>● Check all of the above, plus...</li> <li>● Be sure the exhaust hood outside the home can open and close freely.</li> <li>● Check exhaust system for lint buildup. Ducting should be inspected and cleaned annually.</li> <li>● Use a 4" rigid metal exhaust duct.</li> <li>● Do not overload. 1 wash load = 1 dry load.</li> <li>● Sort heavy items from lightweight items.</li> <li>● Large, bulky items like blankets or comforters may require repositioning to ensure even drying.</li> <li>● Load may be too small to tumble properly. Add a few towels.</li> </ul>

Problem	Solution
<b>The unit is noisy.</b>	<ul style="list-style-type: none"> <li>• Check the load for objects such as coins, loose buttons, nails, broken zips, etc. Remove promptly.</li> <li>• It is normal to hear the dryer gas valve or heating element cycle on and off during the drying cycle.</li> <li>• Be sure the dryer is leveled properly as outlined in the installation instruction.</li> <li>• It is normal for the dryer to hum due to the high velocity of air moving through the dryer drum and exhaust system.</li> </ul>
<b>Clothes are unevenly dried.</b>	<ul style="list-style-type: none"> <li>• Seams, pockets, and other similarly heavy areas may not be completely dry when the rest of the load has reached the selected dryness level. This is normal. Select the Extra Dry setting if desired.</li> <li>• If one heavy item is dried with a lightweight load, such as one towel with sheets, it is possible that the heavy item will not be completely dry when the rest of the load has reached the selected dryness level. Sort heavy items from lightweight items for best drying results.</li> </ul>
<b>Shuts off before load is dry.</b>	<ul style="list-style-type: none"> <li>• Dryer load is too small. Add more items or a few towels and restart the cycle.</li> <li>• Dryer load is too large. Remove some items and restart the dryer.</li> </ul>
<b>The unit has a special odor.</b>	<ul style="list-style-type: none"> <li>• Household odors from painting, varnishing, strong cleaners, etc. may enter the dryer with surrounding room air. This is normal as the dryer draws the air from surrounding air space of the dryer locations.</li> <li>• When these odors linger in the air, ventilate the room completely before using the dryer.</li> </ul>
<b>Odors remain in clothing after refresh</b>	<ul style="list-style-type: none"> <li>• Fabrics containing strong odors should be washed utilizing desired wash cycle.</li> </ul>
<b>Garments still wrinkled after Wrinkle-prevent</b>	<ul style="list-style-type: none"> <li>• Small loads of 1 to 4 items work best.</li> <li>• Load fewer garments. Load similar-type garments.</li> </ul>
<b>Lint on clothes</b>	<ul style="list-style-type: none"> <li>• Clean lint filter before every cycle.</li> <li>• Some fabrics are lint producers (for example, a fuzzy white cotton towel) and they should be dried separately from clothes that are lint trappers (for example, a pair of black linen pants).</li> <li>• Divide larger loads into smaller loads for drying.</li> <li>• Check pockets thoroughly before washing and drying clothes.</li> </ul>

## ERROR CODES

Error Code	Possible Cause	Solutions
E3	The PCB failed.	Call the service center for help do not use dryer.
E4	The humidity sensor failed.	The unit will complete the current operating cycle but garments could be over dried. The unit can still operate under the Time Cycles. Call the service center for help.
E5	The temperature sensor failed.	Call the service center for help do not use dryer.

Dryer  
Safety

Operation  
Requirements

Parts and  
Features

Installation  
Instructions

Dryer Use

Dryer Care


























**Troubleshooting**

Appendix

# APPENDIX

## FABRIC CARE CHART

The following symbols provide garment care direction. The Clothing care labels include symbols for washing, bleaching, drying and ironing, or dry cleaning when necessary. The use of symbols ensures consistency among garment manufacturers of domestic and imported items. Follow care label directions to maximize garment life and reduce laundering problems.

Wash Cycle		Special Instructions		Warning Symbols for Laundering	
	Normal		Line Dry/Hang to Dry		Do Not Wash
	Permanent Press / Wrinkle Resistant / Wrinkle Control		Drip Dry		Do Not Wring
	Gentle/Delicates		Dry Flat		Do Not Bleach
	Hand Wash	Heat Setting			Do Not Tumble Dry
Water Temperature**			High		No Steam (added to iron)
	Hot		Medium		Do Not Iron
	Warm		Low	Dryclean	
	Cold		Any Heat		Dry Clean
Bleach			No Heat/Air		Do Not Dry Clean
	Any Bleach (when needed)	Iron-Dry or Steam Temperatures			Line Dry/ Hang to Dry
	Only Non-Chlorine (color-safe) Bleach (when needed)		High		Drip Dry
	Tumble Dry Cycle		Medium		Dry Flat
Normal			Low		
	Permanent Press / Wrinkle Resistant / Wrinkle Control		For machine-washable wool. Loads should be under 8 pounds.		
	Gentle/ Delicates				

\*\*The number of dots represent appropriate wash water temperatures for various items. The temperature range for Hot is 105°-125°F/41°-52°C, for Warm 85°-105°F/29°-41°C and for Cold 60°-85°F/16°-29°C.

# MIDEA LAUNDRY DRYER LIMITED WARRANTY

## ATTACH YOUR RECEIPT HERE. PROOF OF PURCHASE IS REQUIRED TO OBTAIN WARRANTY SERVICE.

Please have the following information available when you call the Customer Service Center:

- Name, address and telephone number
- Model number and serial number
- A clear, detailed description of the problem
- Proof of purchase including dealer or retailer name and address

### IF YOU NEED SERVICE:

1. Before contacting us to arrange service, please determine whether your product requires repair. Some questions can be addressed without service. Please take a few minutes to review the Troubleshooting section of the User Manual, or visit <http://us.Midea.com/support>
2. All warranty service is provided exclusively by our authorized Midea Service Providers, in the U.S. and Canada.

#### Midea Customer Service

**In the U.S.A. or Canada, call 1-866-646-4332.**

If outside the 50 States of the United States or Canada, contact your authorized Midea dealer to determine whether another warranty applies.

## LIMITED WARRANTY

### WHAT IS COVERED

#### FIRST YEAR LIMITED WARRANTY (PARTS AND LABOR)

For one year from the date of purchase, if this major appliance is installed, operated and maintained according to instructions attached to or furnished with the product, Midea America Corporation (hereafter "Midea") will pay for factory specified replacement parts and repair labor to correct defects in materials or workmanship that existed when this major appliance was purchased, or at its sole discretion replace the product. In the event of product replacement, your appliance will be warranted for the remaining term of the original unit's warranty period.

YOUR SOLE AND EXCLUSIVE REMEDY UNDER THIS LIMITED WARRANTY SHALL BE PRODUCT REPAIR OR REPLACEMENT AS PROVIDED HEREIN. Service must be provided by a Midea designated service company. This limited warranty is valid only in the 50 States of the United States or Canada and applies only when the major appliance is used in the country in which it was purchased. This limited warranty is effective from the date of original consumer purchase. Proof of original purchase date is required to obtain service under this limited warranty.

## LIMITED WARRANTY

### WHAT IS NOT COVERED

1. Commercial, non-residential or multiple-family use, or use inconsistent with published user, operator or installation instructions.
2. In-home Instruction on how to use your product.
3. Service to correct improper product maintenance or installation, installation not in accordance with electrical codes or correction of household electrical system (i.e. house wiring, fuses, etc.).
4. Consumable parts (i.e. light bulbs, batteries, air or water filters, etc.).
5. Defects or damage caused by the use of non-genuine Midea parts or accessories.
6. Damage from accident, misuse, abuse, fire, floods, electrical issues, acts of God or use with products not approved by Midea.
7. Repairs to parts or systems to correct product damage or defects caused by unauthorized service, alteration or modification of the appliance.
8. Cosmetic damage including scratches, dents, chips, and other damage to appliance finishes unless such damage results from defects in materials and workmanship and is reported to Midea within 30 days.
9. Routine maintenance of the product.
10. Products that were purchased "as is" or as refurbished products.
11. Products that have been transferred from its original owner.
12. Discoloration, rust or oxidation of surfaces resulting from caustic or corrosive environments including but not limited to high salt concentrations, high moisture or humidity or exposure to chemicals.
13. Pick-up or delivery. This product is intended for in-home repair.
14. Travel or transportation expenses for service in remote locations where an authorized Midea servicer is not available.
15. Removal or reinstallation of inaccessible appliances or built-in fixtures (i.e. trim, decorative panels, flooring, cabinetry, islands, countertops, drywall, etc.) that interfere with servicing, removal or replacement of the product.
16. Service or parts for appliances with original model/serial numbers removed, altered or not easily identified.

**The cost of repair or replacement under these excluded circumstances shall be borne by the customer.**

---

### DISCLAIMER OF IMPLIED WARRANTIES

IMPLIED WARRANTIES, INCLUDING ANY IMPLIED WARRANTY OF MERCHANTABILITY OR IMPLIED WARRANTY OF FITNESS FOR A PARTICULAR PURPOSE, ARE LIMITED TO ONE YEAR OR THE SHORTEST PERIOD ALLOWED BY LAW. Some states and provinces do not allow limitations on the duration of implied warranties of merchantability or fitness, so this limitation may not apply to you. This warranty gives you specific legal rights, and you also may have other rights that vary from state to state or province to province.

---

### DISCLAIMER OF REPRESENTATIONS OUTSIDE OF WARRANTY

Midea makes no representations about the quality, durability, or need for service or repair of this major appliance other than the representations contained in this warranty. If you want a longer or more comprehensive warranty than the limited warranty that comes with this major appliance, you should ask Midea or your retailer about buying an extended warranty.

---

### LIMITATION OF REMEDIES; EXCLUSION OF INCIDENTAL AND CONSEQUENTIAL DAMAGES

YOUR SOLE AND EXCLUSIVE REMEDY UNDER THIS LIMITED WARRANTY SHALL BE PRODUCT REPAIR AS PROVIDED HEREIN. MIDEA SHALL NOT BE LIABLE FOR INCIDENTAL OR CONSEQUENTIAL DAMAGES. Some states and provinces do not allow the exclusion or limitation of incidental or consequential damages, so these limitations and exclusions may not apply to you. This warranty gives you specific legal rights, and you also may have other rights that vary from state to state or province to province.

# **Midea REGISTRATION INFORMATION**

## PROTECT YOUR PRODUCT:

We will keep the model number and date of purchase of your new Midea product on file to help you refer to this information in the event of an insurance claim such as fire or theft.

Product registration is not mandatory. Failure to complete and return the card or form does not diminish the consumer's warranty rights.

Register online at <https://us.midea.com/product-registration>

**OR**

Please fill out and return it to the following address:

Midea America Corp. 759 Bloomfield Ave #386, West Caldwell, NJ 07006-6701

----- (detach here) -----

Name:	Model#:	Serial #:
	Card:	
Address:	Date Purchased:	Store / Dealer Name:
City:                      State:                      Zip:	E-mail Address:	
Area Code:                      Phone Number:	Occupation:	
Did you purchase an additional warranty:	As your Primary Residence:	
How did you learn about this product: <input type="checkbox"/> Advertising <input type="checkbox"/> In Store Demo <input type="checkbox"/> Personal Demo	Age:	Marital Status:

*Information collected or submitted to us is only available to company internal employees for purposes of contacting you or sending you emails, based on your request for information and to company service providers for purposes of providing services relating to our communications with you. All data will not be shared with other organizations for commercial purposes.*

*Please consider leaving a customer review at [www.midea.com](http://www.midea.com).*

Midea America Corp.  
 Parsippany, NJ 07054

Customer Service 1-866-646-4332

Made in China

VI ENGLISH

**Free 3 months extension\*** of the original limited warranty period! Simply text a picture of your proof of purchase to:

**1-844-224-1614**

\*The warranty extension is for the three months immediately following the completion of the products original warranty period.



**make yourself at home**



sp

## Manual del Propietario & Instrucciones de Instalación

Secadora

Fuente de alimentación:  
120/240V  
Frecuencia: 60Hz  
Capacidad: 8.0 cu ft



Extensión gratuita  
de 3 meses\* del período  
de la garantía limitada original.  
Simplemente envíe una foto de  
su comprobante de compra  
por mensaje de texto al:

1-844-224-1614

\*La extensión de la garantía es por  
los tres meses inmediatamente  
después de la finalización del  
período de la garantía  
original del producto.

Advertencia:  
Antes de utilizar este producto,  
lea atentamente este manual y  
guárdelo para consultarlo  
posteriormente. El diseño y las  
especificaciones están sujetos a  
cambios sin previo aviso para  
mejoras de los productos.  
Consulte con su distribuidor o  
fabricante para obtener detalles.

NÚMERO DE MODELO  
MLE45N1AWW  
MLG45N1AWW

# Estimado usuario

---

**GRACIAS** por permitir que Midea le ayude a “hacerlo sentir en casa”. Este manual es parte de nuestro compromiso con su satisfacción total. Lea detenidamente este manual antes de utilizar este producto, y guárdelo en un lugar conveniente para su consulta futura.

Para ayudarnos a brindarle un mejor servicio, considere registrar su producto con nuestra práctica aplicación Midea MSmartlife, visitando **<http://www.midea.com>** o enviando por mensaje de texto una foto de su comprobante de compra al 1-844-224-1614.

Al utilizar la opción de texto, obtendrá una extensión de la garantía de 3 meses adicionales inmediatamente después de la finalización de la garantía original del producto.

<b>SEGURIDAD DEL SECADOR .....</b>	<b>4</b>
<b>REQUISITOS OPERATIVOS .....</b>	<b>8</b>
Importante para la instalación.....	8
Requisitos básicos.....	9
Requisitos de ubicación.....	9
Requisitos de conductos .....	13
Requisitos del escape .....	15
Requisitos de gas .....	16
Requisitos eléctricos .....	17
<b>PIEZAS Y CARACTERÍSTICAS .....</b>	<b>20</b>
Piezas de repuesto y accesorios .....	20
<b>INSTRUCCIONES DE INSTALACIÓN .....</b>	<b>21</b>
Extracción del electrodoméstico del embalaje.....	21
Herramientas necesarias.....	21
Elección de la ubicación correcta .....	22
Instalación del sistema de escape .....	22
Conexión de la línea de gas (para modelos a gas) .....	24
Conexión del cableado eléctrico .....	25

Nivelación de la secadora .....	28
Encendido .....	28
Revisión final .....	28
Procedimiento de inversión de la puerta .....	29
Cambie el secadora vent ubicación .....	30
<b>USO DEL SECADOR .....</b>	<b>33</b>
Panel de control .....	33
Cómo secar una carga de ropa .....	36
Uso de la rejilla de secado .....	39
Consejos para cargas especiales .....	41
<b>CUIDADO DEL SECADOR .....</b>	<b>42</b>
Limpieza y mantenimiento .....	42
<b>SOLUCIÓN DE PROBLEMAS .....</b>	<b>44</b>
Consulte estas soluciones si su secadora... ..	44
Códigos de error .....	46
<b>APÉNDICE .....</b>	<b>47</b>
Cuadro de cuidado de las telas.....	47
<b>WARRANTY .....</b>	<b>48</b>
<b>PRODUCT REGISTRATION .....</b>	<b>50</b>

## LEA Y CONSERVE ESTAS INSTRUCCIONES PARA FUTURAS CONSULTAS

Este manual contiene información importante sobre la instalación, el uso y el cuidado de su electrodoméstico. Lea este manual cuidadosamente antes de instalar y usar esta secadora para evitar lesiones y daños materiales.

Las advertencias y las instrucciones importantes de seguridad de este manual NO abarcan todas las posibles condiciones y situaciones que pueden presentarse. Es su responsabilidad utilizar sentido común, precaución y cuidado durante la instalación, el mantenimiento y el uso de su secadora.

# SEGURIDAD DEL SECADOR

SU SEGURIDAD Y LA SEGURIDAD DE LOS DEMÁS SON MUY IMPORTANTES

Para prevenir lesiones del usuario y otras personas y daños materiales, se deben seguir las instrucciones que se muestran debajo. El funcionamiento incorrecto por ignorar las instrucciones puede causar daños o heridas, e incluso la muerte.

El nivel de riesgo se muestra según las siguientes indicaciones.



Este símbolo indica la posibilidad de muerte o heridas graves.



Este símbolo indica la posibilidad de lesiones o daños a la propiedad.



Este símbolo indica que existe la posibilidad de voltaje peligroso con un riesgo de descarga eléctrica, lo que puede provocar la muerte o heridas graves.

## ADVERTENCIA

Para su seguridad, la información en este manual debe seguirse para minimizar el riesgo de incendio o explosión, o para prevenir daños materiales, lesiones físicas o la muerte.

- No almacene ni utilice gasolina u otros vapores o líquidos inflamables cerca de este o cualquier otro electrodoméstico.
- Un instalador o una agencia de servicio técnico calificados deben realizar la instalación y el mantenimiento.

## ADVERTENCIA



### **Peligro de incendio**

- No cumplir exactamente con las advertencias de seguridad, puede causar lesiones graves, la muerte o daños materiales.
- No instale un ventilador auxiliar en el conducto de escape.
- Instale todas las secadoras de ropa según las instrucciones de instalación del fabricante de la secadora.

## ADVERTENCIA

### Qué debe hacer si siente olor a gas:

- No intente encender ningún electrodoméstico.
- No toque ningún interruptor eléctrico; no use ningún teléfono en el inmueble.
- Todas las personas deben desocupar el ambiente, el inmueble o el área.
- Llame inmediatamente a su proveedor de gas usando el teléfono de un vecino. Siga las instrucciones del proveedor de gas.
- Si no logra comunicarse con el proveedor de gas, llame al departamento de bomberos.

# INSTRUCCIONES IMPORTANTES DE SEGURIDAD

## ADVERTENCIA

Para reducir el riesgo de incendio, descarga eléctrica o lesiones a las personas al utilizar el aparato, respete las precauciones básicas, incluso lo siguiente:

- Lea todas las instrucciones antes de utilizar el electrodoméstico.
- Utilice este electrodoméstico solamente para el propósito previsto, como se describe en el Manual del propietario.
- Antes de utilizarla, instale correctamente la secadora como se describe en este manual.
- Cumpla SIEMPRE las instrucciones de cuidado de las telas que proporciona el fabricante de la prenda.
- No seque artículos que ya se hayan limpiado, lavado, remojado o manchado con gasolina, disolventes de limpieza en seco u otras sustancias inflamables o explosivas, ya que despiden vapores que pueden encenderse o causar una explosión.
- No use la secadora para secar ropa que contenga restos de cualquier sustancia inflamable, como aceite vegetal, aceite de cocina, aceites de maquinaria, químicos inflamables, disolvente, etc., o cualquier cosa que contenga cera o químicos, como trapos o paños de limpieza. Las sustancias inflamables pueden causar que la tela se prenda fuego sola.
- No almacene ni utilice gasolina u otros vapores o líquidos inflamables cerca de este o cualquier otro electrodoméstico.
- No deje que los niños jueguen sobre la lavadora o dentro de ella. Es necesario supervisar cuidadosamente a los niños siempre que se use el aparato cerca de ellos.
- Retire la tapa o la puerta de los compartimientos de lavado o secado del electrodoméstico antes de ponerlo fuera de funcionamiento o de desecharlo.

- No introduzca las manos en el electrodoméstico si el tambor está en movimiento.
- No instale ni guarde este electrodoméstico en lugares donde quede expuesto a la intemperie o a temperaturas por debajo del punto de congelación por debajo de 33°F.
- No altere los controles y el pestillo.
- No instale un ventilador de refuerzo en el conducto de escape.
- No repare ni reemplace ninguna pieza de la lavadora ni trate de repararla a menos que esté específicamente recomendado en las instrucciones de mantenimiento o en las instrucciones de reparación para el usuario publicadas, que usted comprenda y solo si cuenta con la experiencia necesaria para llevar a cabo dicha reparación.
- Mantenga el área debajo y alrededor de los electrodomésticos libre de materiales combustibles (pelusa, papel, trapos, etc.), gasolina, productos químicos, y otros vapores y líquidos inflamables.
- No coloque en la secadora artículos expuestos a aceites de cocina. Los artículos contaminados con aceites de cocina pueden contribuir a una reacción química que podría causar que la carga se incendie. Para reducir el riesgo de incendio debido a cargas contaminadas, la parte final del ciclo de la secadora se produce sin calor (período de enfriamiento). Evite detener la secadora antes de que finalice el ciclo de secado, a menos que todos los artículos se retiren y extiendan rápidamente para que el calor se disipe.
- Cierre los grifos de agua y desenchufe la secadora si no utilizará la máquina durante un período prolongado de tiempo, como durante las vacaciones.
- El material de embalaje puede ser peligroso para los niños. ¡Hay riesgo de sofocamiento! Mantenga todo el embalaje alejado de los niños.
- Antes de introducir la ropa, verifique siempre que no haya objetos extraños en el interior de la secadora. Mantenga la puerta cerrada cuando no esté en uso.
- No use suavizante para ropa ni productos para eliminar la electricidad estática, a menos que lo recomiende el fabricante de dichos productos.
- **Limpie el filtro para pelusa antes o después de cada carga.**
- Mantenga el área alrededor de la abertura del escape y los alrededores libres de pelusa, polvo y suciedad.
- El interior de la secadora y el conducto de escape deben limpiarse periódicamente por parte de personal de servicio técnico calificado.
- No coloque elementos expuestos a aceites de cocina en la secadora. Los elementos contaminados con aceites de cocina pueden generar una reacción química que podría hacer que una carga se prenda fuego.
- Este electrodoméstico debe conectarse a tierra. Consulte los títulos “**Requisitos eléctricos**” y “**Conexión a tierra**” en la sección “**Requisitos operativos**”.
- Este electrodoméstico debe conectarse correctamente a tierra. Jamás conecte el cable de alimentación a un tomacorriente que no tenga una conexión adecuada a tierra y que no cumpla con los códigos locales y nacionales. Consulte las instrucciones de instalación para la conexión a tierra de este electrodoméstico.

- Asegúrese de que los bolsillos de la ropa no contengan objetos o materiales extraños duros pequeños de forma irregular, como monedas, cuchillos, pines, etc. Estos objetos pueden dañar su secadora.
- No utilice calor para secar artículos que contienen gomaespuma o materiales con textura similar a la goma.



## ADVERTENCIA

### Para reducir el riesgo de incendio o explosión

- No seque artículos que ya se hayan limpiado, lavado, remojado o manchado con gasolina, disolventes de limpieza en seco u otras sustancias inflamables o explosivas. Despiden vapores que pueden encenderse o causar una explosión. Cualquier material que haya estado en contacto con un disolvente de limpieza o con sustancias líquidas o elementos sólidos inflamables no debe colocarse en la secadora hasta que todos los restos de estos líquidos o sólidos inflamables y sus vapores se hayan eliminado.
- En los hogares, se utilizan muchos elementos altamente inflamables, como acetona, alcohol desnaturalizado, gasolina, queroseno, algunos limpiadores líquidos para el hogar, algunos quitamanchas, aguarrás, ceras y algunos removedores de cera.
- No seque elementos que contengan gomaespuma (puede estar etiquetada como espuma de látex) o materiales de textura similar a la goma con un ajuste de calor. En determinadas circunstancias, los materiales de gomaespuma calientes pueden causar incendios mediante la combustión espontánea.



## PRECAUCIÓN

- No se siente sobre la secadora.
- En virtud de la mejora continua del producto, Midea America se reserva el derecho de cambiar las especificaciones sin previo aviso. Para obtener los detalles completos, consulte las instrucciones de instalación incluidas con el producto antes de seleccionar los gabinetes, realizar cortes o comenzar con la instalación.
- No seque ropa con hebillas o botones grandes, u otros objetos sólidos o de metal pesado.
- Instale y utilice el electrodoméstico según las instrucciones del fabricante.
- No coloque elementos en la secadora que tengan manchas o estén impregnados con aceite vegetal o de cocina. Estos elementos pueden contener cantidades importantes de estos aceites, incluso después del lavado.
- El aceite residual en la ropa puede prenderse fuego de forma espontánea. La posibilidad de que haya combustión espontánea aumenta cuando los elementos que contienen aceite vegetal o de cocina se exponen al calor. Las fuentes de calor como la secadora pueden calentar estos elementos, permitiendo que se produzca una reacción de oxidación en el aceite.

- La oxidación crea calor. Si el calor no puede escapar, los elementos pueden calentarse lo suficiente como para prenderse fuego. Apilar, amontonar o almacenar este tipo de elementos puede impedir que el calor escape y crear un riesgo de incendio.
- Asegúrese de que los niños no introduzcan los dedos en la puerta cuando se cierra. Esto puede causar lesiones.
- El sistema puede tener fugas de gas que generen una situación de peligro.
- Es posible que no baste con el olfato para detectar las fugas de gas.
- Los proveedores de gas recomiendan que compre e instale un detector de gas con certificación UL.

### Advertencias de la “Proposition 65” del estado de California:



**ADVERTENCIA:** Riesgos de cáncer y daños al sistema reproductivo: [www.P65Warnings.ca.gov](http://www.P65Warnings.ca.gov).

## GUARDE ESTAS INSTRUCCIONES

ESTE ELECTRODOMÉSTICO ES SOLO PARA USO DOMÉSTICO

## REQUISITOS OPERATIVOS



### ADVERTENCIA



#### Riesgo de incendio

- Un instalador calificado debe realizar la instalación de la secadora de ropa.
- Instale la secadora de ropa conforme a las instrucciones del fabricante y los códigos locales.
- No instale una secadora de ropa con materiales de ventilación plásticos flexibles. Si se instala un conducto de metal flexible (tipo laminado), debe ser de un tipo específico identificado por el fabricante del electrodoméstico como adecuado para su uso con secadoras de ropa. Los materiales de ventilación flexibles son propensos a quebrarse, aplastarse fácilmente y a retener pelusa. Estas condiciones obstruirán el flujo de aire de la secadora de ropa y aumentarán el riesgo de incendio.
- Para reducir el riesgo de lesiones graves o la muerte, siga todas las instrucciones de instalación.
- Guarde estas instrucciones.

## IMPORTANTE PARA LA INSTALACIÓN

Lea las siguientes instrucciones cuidadosamente antes de instalar la secadora. Estas instrucciones deben guardarse para consultarse posteriormente.

## PRECAUCIÓN

- La secadora no es apta para instalarse en una casa rodante.
- Luego de desenchufar y remover el cable de alimentación, quite la puerta de todos los electrodomésticos desechados para evitar que un niño quede atrapado y se sofoque.

## REQUISITOS BÁSICOS

### **Asegúrese de tener todo lo necesario para realizar una instalación adecuada.**

- Se requiere UN TOMACORRIENTE ELÉCTRICO CON CONEXIÓN A TIERRA. Consulte la sección “**Requisitos eléctricos**”.
- UN CABLE DE ALIMENTACIÓN para secadora eléctrica (excepto para Canadá).
- Las LÍNEAS DE GAS (si es una secadora a gas) deben cumplir con los códigos nacionales y locales.
- EL SISTEMA DE ESCAPE debe estar hecho de conductos de metal rígido o metal flexible con paredes endurecidas.

## REQUISITOS DE UBICACIÓN

1. La secadora debe colocarse donde haya suficiente espacio al frente para cargarla, y suficiente espacio detrás para el sistema de escape.
2. Esta secadora viene lista de fábrica para la opción de escape trasero. Si desea cambiar la ubicación del conducto de ventilación, consulte “Cambiar la ubicación del conducto de ventilación de la secadora” en la página 30.
3. Asegúrese de que la habitación donde se colocará la secadora cuente con suficiente ventilación de aire. La secadora debe colocarse en un lugar donde no haya obstrucciones para el flujo del aire. La temperatura ambiente no debe ser inferior a 33°F.
4. Para las secadoras a gas, se debe mantener un espacio libre suficiente según se indica en la placa de datos, para garantizar contar con aire suficiente para la combustión y el funcionamiento adecuado de la secadora.
5. La secadora no se debe instalar ni almacenar en un área donde esté expuesta al agua o a la intemperie. El área de la secadora se debe mantener libre de materiales combustibles, gasolina y otros vapores y líquidos inflamables. Las secadoras producen pelusa combustible. El área que rodea a la secadora debe mantenerse libre de pelusas.

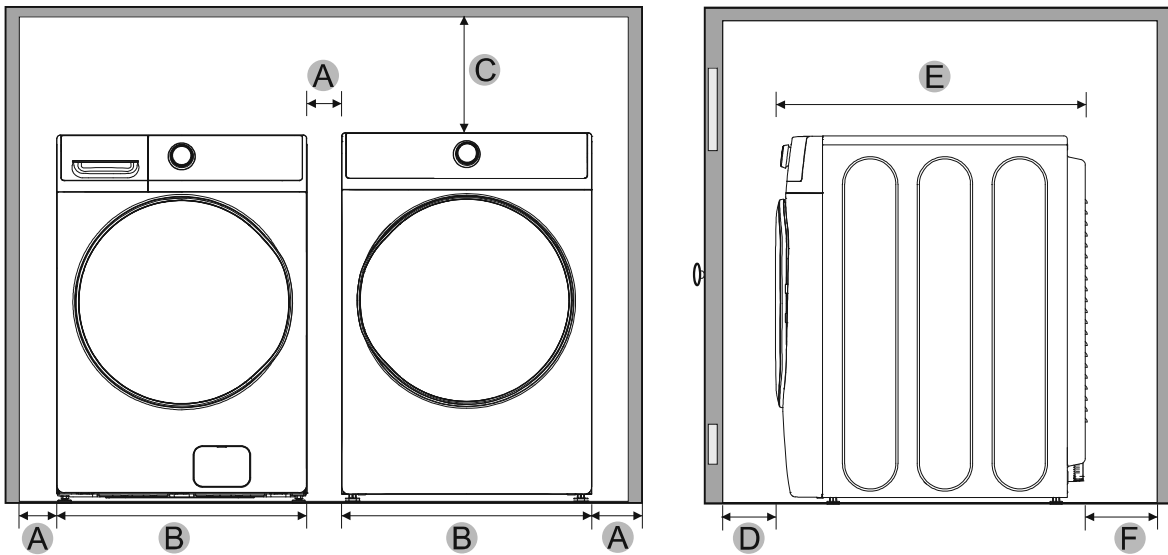
# INSTALACIONES EN ALCOBAS, CLÓSETS O AMURADAS/EMPOTRADAS

## ⚠ ADVERTENCIA

- La salida de escape de la secadora debe ser al exterior para reducir el riesgo de incendio cuando se instala en cualquier parte del interior del inmueble.
- No se debe instalar ningún otro electrodoméstico a combustión en el mismo clóset que la secadora.

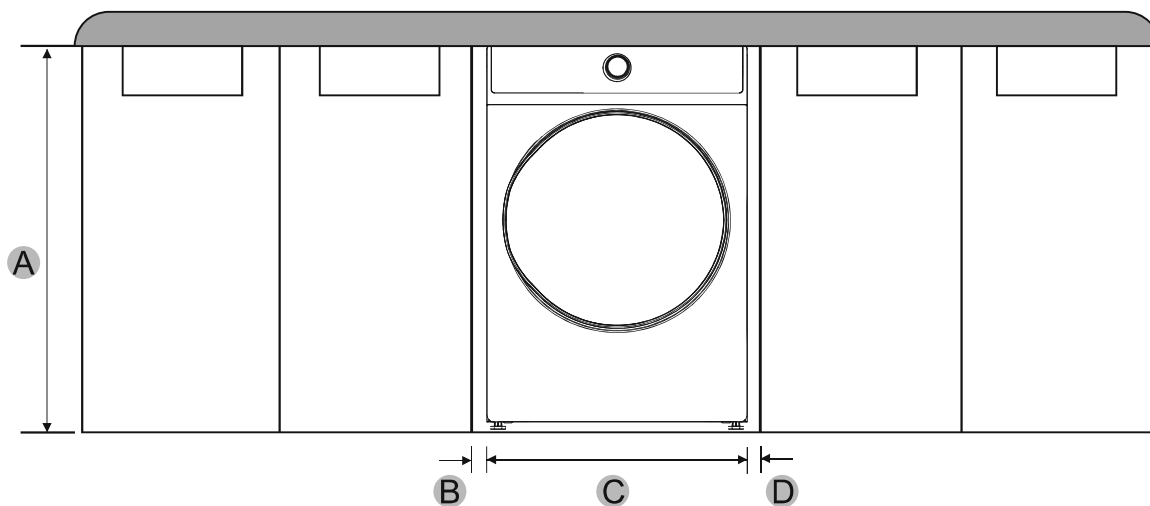
**Se deben mantener espacios libres mínimos entre la secadora y las paredes adyacentes u otras superficies:**

Lados	1 pulg. (25 mm)	Parte trasera	5 pulg. (127 mm)
Parte superior	24 pulg. (610 mm)	Frente del clóset	2 pulg. (51 mm)



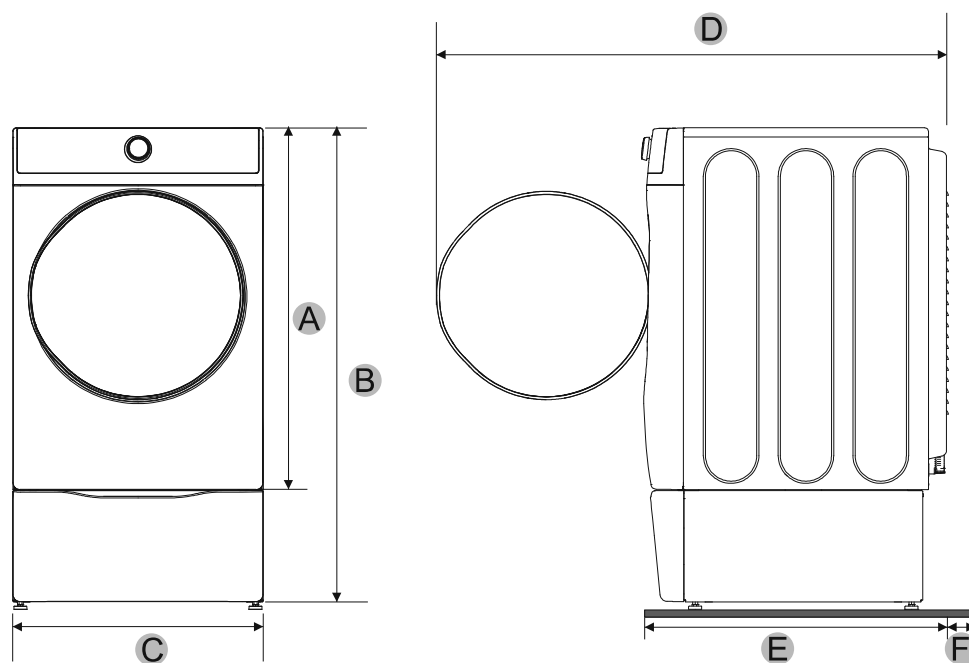
A	1 pulg. (25 mm)	C	24 pulg. (610 mm)	E	33.7 pulg. (855 mm)
B	27 pulg. (686 mm)	D	2 pulg. (51 mm)	F	5 pulg. (127 mm)

## INSTALACIÓN DEBAJO DE ENCIMERA



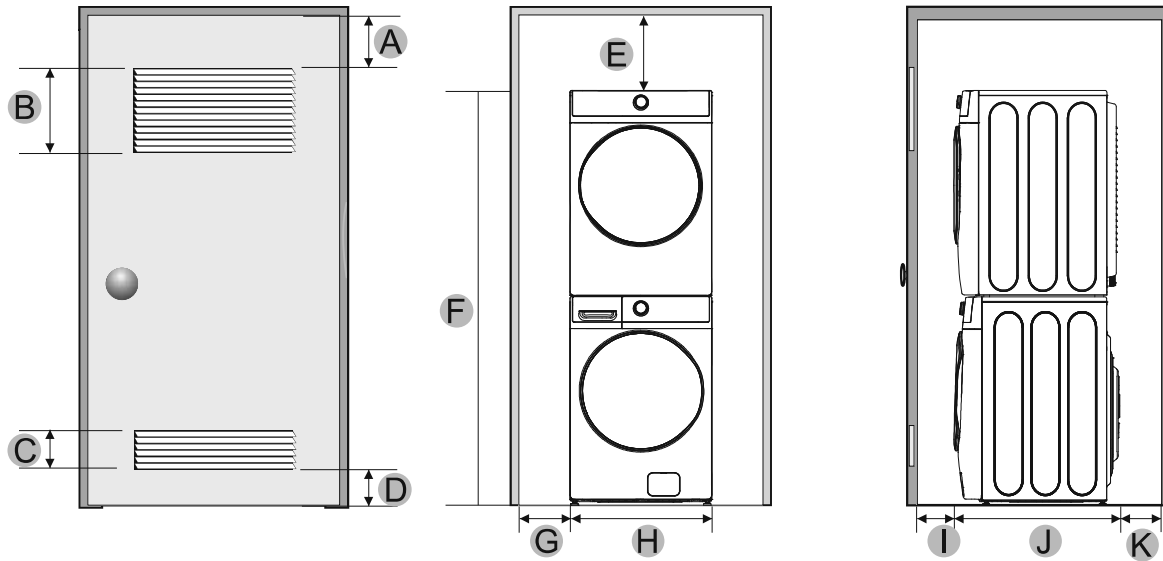
A	39,8 pulg. (1010 mm)	C	27 pulg.(686 mm)
B	1 pulg. (25 mm)	D	1 pulg. (25 mm)

## INSTALACIÓN CON PEDESTAL



A	39 pulg. (991 mm)	C	27 pulg. (686 mm)	E	33.7 pulg. (855 mm)
B	51.9 pulg. (1317 mm)	D	55.2 pulg. (1402 mm)	F	5 pulg. (127 mm)

## INSTALACIÓN EMPAREJADA CON LAVADORA Y SECADORA

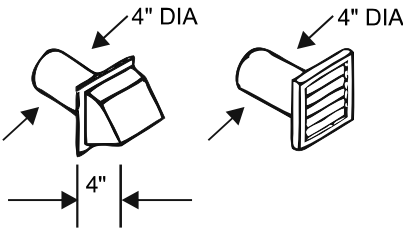
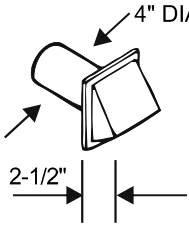


A	3 pulg. (76 mm)	E	6 pulg. (152 mm)	I	3 pulg. (76 mm)
B	48 pulg. <sup>2</sup> (31000 mm <sup>2</sup> )	F	79 pulg. (2007 mm)	J	33.7 pulg. (855 mm)
C	24 pulg. <sup>2</sup> (15500 mm <sup>2</sup> )	G	1 pulg. (25 mm)	K	8 pulg. (203 mm)
D	3 pulg. (76 mm)	H	27 pulg. (686 mm)		

### NOTA

El frente del clóset debe tener dos aberturas de aire sin obstrucción para contar con un área total mínima combinada de 72 pulg.<sup>2</sup>. (465 cm<sup>2</sup>) con un espacio libre mínimo de 3 pulg. (76 mm) en la parte superior y la inferior. Es aceptable utilizar una puerta con listones con un espacio libre equivalente.

## REQUISITOS DE CONDUCTOS

	Recomendado	Usar solamente para instalaciones a corto plazo
Tipo de cubierta de protección a la intemperie	 <p>4 pulg. (10,2 cm)</p>	 <p>2,5 pulg. (6,4 cm)</p>
Cantidad de codos de 90°	Rígido de metal	Rígido de metal
0	90 pies (27,4m)	60 pies (18,3m)
1	60 pies (18,3m)	45 pies (13,7m)
2	45 pies (13,7m)	35 pies (10,7m)
3	35 pies (10,7m)	25 pies ( 7,6m)

**Si esta nueva secadora se instala en un sistema de escape existente, debe asegurarse de lo siguiente:**

- El sistema de escape debe cumplir con los códigos locales, estatales y nacionales.
- No se debe utilizar un conducto de plástico flexible.
- Se debe inspeccionar y limpiar toda la acumulación de pelusa en el interior del conducto existente.
- El conducto no debe estar abollado ni aplastado.
- La compuerta de la cubierta de escape se abre y cierra libremente.

### Medidas del manómetro

Para los mejores resultados, la presión estática de cualquier sistema de escape debe tener entre 0,3 y 0,8 pulgadas (0,76 cm y 2,03 cm) de columna de agua y no puede ser menor de 0 bajo ninguna circunstancia para un conducto instalado con un diámetro de 4 pulgadas (10,2 centímetros). La medición se debe hacer con la secadora vacía funcionando con un manómetro en el punto en que el conducto de escape se conecta con la secadora. Debe utilizarse una configuración sin calor. El filtro de pelusa debe estar limpio.

 **ADVERTENCIA****La instalación correcta del escape es SU RESPONSABILIDAD.**

- Utilice un conducto rígido de aluminio o acero galvanizado de 4 pulgadas (10,2 cm) de diámetro.
- No use un diámetro menor que el diámetro recomendado del conducto.
- Los conductos de más de 4 pulgadas (10,2 cm) de diámetro pueden provocar un aumento de la acumulación de pelusa y cambios en el rendimiento.
- La pelusa debe eliminarse regularmente del filtro interno.
- Si es necesario utilizar un conducto de metal flexible, utilice el tipo que incluye un revestimiento de metal laminado rígido. No use un conducto flexible con revestimiento de aluminio delgado. Una obstrucción grave puede ocasionar que el conducto de metal flexible se doble demasiado.
- Jamás instale ningún tipo de conducto flexible en paredes, cielorrasos u otros espacios cerrados.
- Mantenga el conducto de escape lo más recto y corto posible, con los codos mínimos.
- Fije las juntas con cinta aislante. No use tornillos.
- Los sistemas de escape que miden más de los 90 pies recomendados pueden extender los tiempos de secado, afectar las operaciones de la máquina y recolectar pelusas.
- Los sistemas de escape que son más largos de lo recomendado pueden extender los tiempos de secado, afectar el funcionamiento de la máquina y juntar pelusa.
- El conducto de escape debe terminar en una cubierta de escape con una compuerta de apertura hacia afuera que impida la circulación de aire y la entrada de animales salvajes. Nunca utilice una cubierta de escape con una compuerta magnética.
- La cubierta debe tener al menos 12 pulgadas (30,5 cm) de espacio libre entre la parte inferior de la cubierta y el suelo u otra obstrucción. La apertura de la cubierta debe apuntar hacia abajo.
- Nunca instale una rejilla sobre la salida del escape.
- Para evitar la acumulación de pelusa, evite que el escape de la secadora expulse directo hacia un hueco de ventana. No expulse debajo de una casa o pórtico.
- Si el conducto de escape debe pasar por un área sin calor, este debe aislarse e inclinarse ligeramente hacia abajo, hacia la cubierta de escape, para reducir la condensación y la acumulación de pelusa.
- Inspeccione y limpie el interior del sistema de escape al menos una vez al año. Desconecte el cable de alimentación antes de limpiar.
- Verifique el sistema con frecuencia para asegurarse de que la compuerta de la cubierta de escape se abra y cierre libremente.
- Contrólole una vez por mes, y límpielo al menos una vez al año. Nota: Si su ropa no se seca, verifique que no haya obstrucciones en los conductos.

- El escape de la secadora no debe descargar hacia una pared, cielorraso, entrepiso ni espacio cerrado de un inmueble, ventilación de gas o cualquier otro conducto o chimenea común. Esto puede crear un riesgo de incendio por la pelusa que expulsa la secadora.
- No utilice conductos flexibles no metálicos.
- Para reducir el riesgo de incendio, la secadora DEBE CONTAR CON ESCAPE HACIA EL EXTERIOR.

## REQUISITOS DEL ESCAPE

### ADVERTENCIA

- El escape de la secadora no debe descargar hacia una chimenea, pared, techo, ático, entrepiso o el espacio cerrado de un inmueble.
- La salida de escape de la secadora debe ser al exterior para reducir el riesgo de incendio cuando se instala en una alcoba o clóset.

Hacer que la salida del escape sea hacia el exterior evitará que las grandes cantidades de pelusa y humedad expulsadas ingresen a la habitación.

### ADVERTENCIA

**JAMÁS USE UN CONDUCTO FLEXIBLE NO METÁLICO O DE PLÁSTICO**

Si los conductos existentes son de plástico, no metálicos o combustibles, reemplácelos por conductos de metal antes de instalar este aparato.

Utilice solo conductos de escape de metal no inflamables para garantizar la contención del aire caliente de salida y la pelusa del escape.

Consulte la sección “Requisitos de conductos” en la página 13 para obtener información sobre la longitud máxima de conductos y la cantidad de codos.

- Todas las secadoras deben tener la salida de escape hacia el exterior.
- No monte el conducto con tornillos u otros medios de fijación que se extiendan hacia el conducto y que puedan atrapar pelusa.
- El conducto de escape debe ser de 4 pulgadas (102 mm) de diámetro.
- El largo total del conducto flexible de metal no debe exceder los 7,8 pies (2,4 metros).

## REQUISITOS DE GAS

Use solo gas natural o gas PL (propano líquido).

**LA INSTALACIÓN DEBE SER CONFORME A LOS CÓDIGOS LOCALES O, EN AUSENCIA DE CÓDIGOS LOCALES, CONFORME AL CÓDIGO NACIONAL DE GAS COMBUSTIBLE, ANSI Z223.1/NFPA 54, ÚLTIMA VERSIÓN REVISADA (PARA ESTADOS UNIDOS) O EL CÓDIGO DE INSTALACIÓN DE GAS NATURAL Y PROPANO, CSA B149.1, ÚLTIMA VERSIÓN REVISADA (PARA CANADÁ).**

Las secadoras a gas están equipadas con una ventilación de quemador para usar con gas natural. Si planea usar su secadora con gas PL (propano líquido), un técnico de servicio calificado debe convertir el electrodoméstico para el rendimiento adecuado y seguro.

Se recomienda utilizar una línea de suministro de gas de ½" (1,27 cm), que se debe reducir para conectarse con la línea de gas de ¾" (1 cm) en la secadora. El Código Nacional de Gas Combustible de EE. UU. exige que se instale una válvula de cierre manual de gas aprobada y accesible a no más de 6" (15,24 cm) de la secadora.

**Las secadoras a gas instaladas en garajes residenciales deben estar elevadas a 18" (46 cm) del suelo.**

Además, se debe instalar una toma de gas directa con rosca para tubos NPT de ½" (0,3 cm) accesible para la conexión de un calibrador de prueba, en forma ascendente respecto de la conexión de suministro de gas de la secadora.

La secadora se debe desconectar del sistema de tuberías de suministro de gas durante las pruebas de presión del sistema.

La secadora se debe conectar a la tubería de suministro de gas con un conector de gas flexible certificado que cumpla con la norma para conectores de electrodomésticos a gas, ANSI Z21.24 o CSA 6.10.

**NO** reutilice líneas de gas flexibles de metal antiguas. Las líneas de gas flexibles deben tener un diseño certificado por la Asociación Estadounidense de Gas (CGA en Canadá).

- Cualquier compuesto de juntas de tuberías utilizado debe ser resistente a la acción de cualquier gas licuado de petróleo.
- Por cortesía, la mayoría de las empresas de servicios de gas locales inspeccionarán la instalación del electrodoméstico a gas.

**ENCENDIDO A GAS:** Su secadora utiliza un sistema de encendido automático para encender el quemador. No cuenta con un piloto de combustión constante.

### **INSTRUCCIONES DE INSTALACIÓN PARA LA MANCOMUNIDAD DE MASSACHUSETTS**

Un plomero o instalador de gas matriculados debe instalar la secadora. Se debe instalar una válvula manual de gas con mango en forma de "T" en la línea de suministro de gas para la secadora instalada, en el lugar de funcionamiento. Si se utiliza un conector de gas flexible para conectar a la secadora, el conector no puede tener una longitud mayor que 3 pies (36", 91,5 cm).



## ADVERTENCIA

- El sistema puede tener fugas de gas que generen una situación de peligro.
- Es posible que no baste con el olfato para detectar las fugas de gas.
- Los proveedores de gas recomiendan que compre e instale un detector de gas con certificación UL.
- Instale y utilice el electrodoméstico según las instrucciones del fabricante.

## REQUISITOS ELÉCTRICOS

El diagrama de cableado se encuentra en la placa trasera de la unidad.



## ADVERTENCIA

- La conexión incorrecta del conductor a tierra del equipo puede generar un riesgo de descarga eléctrica. Consulte con un electricista matriculado o un técnico de servicio si tiene dudas acerca de la correcta conexión a tierra del electrodoméstico. No modifique el enchufe que se proporciona con la secadora: si no cabe en el tomacorriente, solicite a un electricista calificado que instale un tomacorriente adecuado.
- Para evitar el innecesario riesgo de incendio, descarga eléctrica o lesiones físicas, todo el cableado y las conexiones a tierra deben realizarse conforme a los códigos locales o, en ausencia de códigos locales, conforme al Código Nacional Eléctrico de EE. UU., ANSI/NFPA Nro. 70, última versión revisada (para EE. UU.) o el Código Eléctrico de Canadá, CSA C22.1, última versión revisada, y los códigos y ordenanzas locales. Es su responsabilidad proporcionar los servicios eléctricos adecuados para su secadora.
- Todas las instalaciones de gas deben realizarse de acuerdo con el Código Nacional de Gas, ANSI/Z2231, última versión revisada (para EE. UU.) o los Códigos de Instalación CAN/CGA B149, última versión revisada (para Canadá) y los códigos y ordenanzas locales.

### Conexiones eléctricas

Se recomienda utilizar un circuito derivado (o independiente) individual que sea solo para la secadora. **NO UTILICE UN ALARGADOR.**

### Modelos a gas: EE. UU. y Canadá

Se requiere contar con un servicio eléctrico aprobado de 120 voltios y 60 Hz de CA, con un disyuntor o fusible de 15 amperios.

## Modelos eléctricos: EE. UU. solamente

La mayoría de las secadoras requieren un servicio eléctrico aprobado de 240 voltios y 60 Hz de CA. Algunos requieren un servicio eléctrico aprobado de 208 voltios y 60 Hz. Los requisitos de servicio eléctrico se encuentran en la etiqueta de datos ubicada detrás de la puerta. Se requiere utilizar un disyuntor o fusible de 30 amperios en ambos lados de la línea.

- Si se utiliza un cable de alimentación, el cable debe conectarse a un tomacorriente de 30 amperios.
- El cable de alimentación NO se proporciona con los modelos de secadora eléctrica para EE. UU.



### ADVERTENCIA



#### Peligro de Choque Eléctrico

Cuando los códigos locales lo permitan, el suministro eléctrico de la secadora se podrá conectar por medio de un nuevo kit de cable de alimentación eléctrica, etiquetado para uso con una secadora, con certificación UL y con una potencia nominal de 240 voltios y 30 amperios, con tres conductores de cable de cobre Nro. 10 cerrados con terminales de ojal, con terminales de horquilla con extremos abiertos hacia arriba, o con conexiones de cables de estaño.

- No reutilice el cable de alimentación eléctrica de una secadora antigua. El cable de alimentación eléctrica se debe sujetar al gabinete de la secadora mediante un prensacable adecuado con certificación UL.
- La conexión a tierra a través del conductor neutro está prohibida para (1) instalaciones de circuitos derivados nuevas, (2) casas rodantes, (3) vehículos recreativos y (4) áreas donde los códigos locales prohíben la conexión a tierra a través de un conductor neutro. (Utilice un enchufe de 4 patas para tomacorrientes de 4 cables, NEMA tipo 14-30R.)

## Modelos eléctricos: Canadá solamente

- Se requiere utilizar un servicio eléctrico aprobado de 120/240 voltios y 60 Hz de CA unido con un disyuntor o fusible de 30 amperios en ambos lados de la línea.
- Todos los modelos canadienses se envían con el cable de alimentación conectado. El cable de alimentación debe conectarse a un tomacorriente de 30 amperios.
- En Canadá, no puede convertir la secadora a 208 voltios.

## CONEXIÓN A TIERRA

Esta secadora debe conectarse a tierra. En caso de mal funcionamiento o avería, la conexión a tierra del producto reducirá el riesgo de descarga eléctrica, proporcionando un camino de menor resistencia para la corriente eléctrica.

### ADVERTENCIA

#### **Modelos a gas y eléctricos**

- Ciertas partes internas no están conectadas a tierra intencionalmente y pueden presentar un riesgo de descarga eléctrica solo durante el servicio. Personal de servicio: No haga contacto con las siguientes partes mientras el electrodoméstico está energizado: válvula de entrada, tablero de control y termistor de regulación de la temperatura (ubicado en la caja del ventilador).

### ADVERTENCIA

#### **Modelos a gas**

- La secadora tiene un cable de alimentación de tres clavijas con conductor de conexión a tierra. 120 V, 60 Hz
- El enchufe debe conectarse a un tomacorriente individual apropiado que esté correctamente instalado y puesto a tierra, de acuerdo con todos los códigos y ordenanzas locales.

### ADVERTENCIA

#### **Modelos eléctricos**

La secadora debe conectarse a tierra con un cable de alimentación de 3 o 4 hilos, con un conductor de conexión a tierra y un enchufe de conexión a tierra, que se venden por separado.

- El enchufe debe conectarse a un tomacorriente apropiado, que esté debidamente instalado y conectado a tierra de acuerdo con todos los códigos y ordenanzas locales.
- No modifique el enchufe que se proporciona con la secadora: si no cabe en el tomacorriente, solicite a un electricista calificado que instale un tomacorriente adecuado.
- Si no se utiliza un cable de alimentación y la secadora eléctrica debe contar con cableado permanente, esta debe conectarse mediante un sistema de cableado permanente de metal con conexión a tierra, o debe usarse un conductor con conexión a tierra con los conductores del circuito, y debe estar conectado al cable o la terminal de conexión a tierra del electrodoméstico.
- Certain internal parts are intentionally not grounded and may present a risk of electric shock only during servicing. Service Personnel – Do not contact the following parts while the appliance is energized: inlet valve, control board and temperature-regulating thermistor (located on blower housing).

# PIEZAS Y CARACTERÍSTICAS

Seguridad del Secador

Requisitos Operativos

Piezas y Características

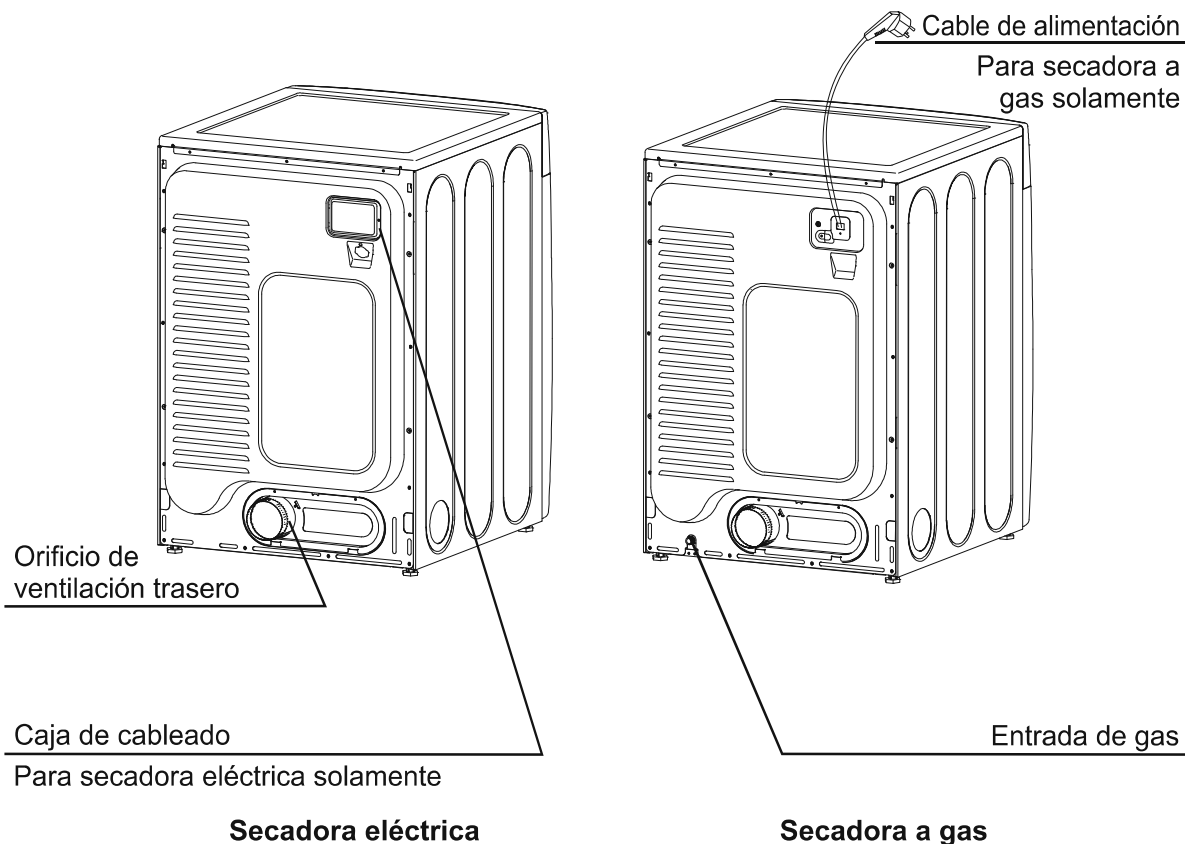
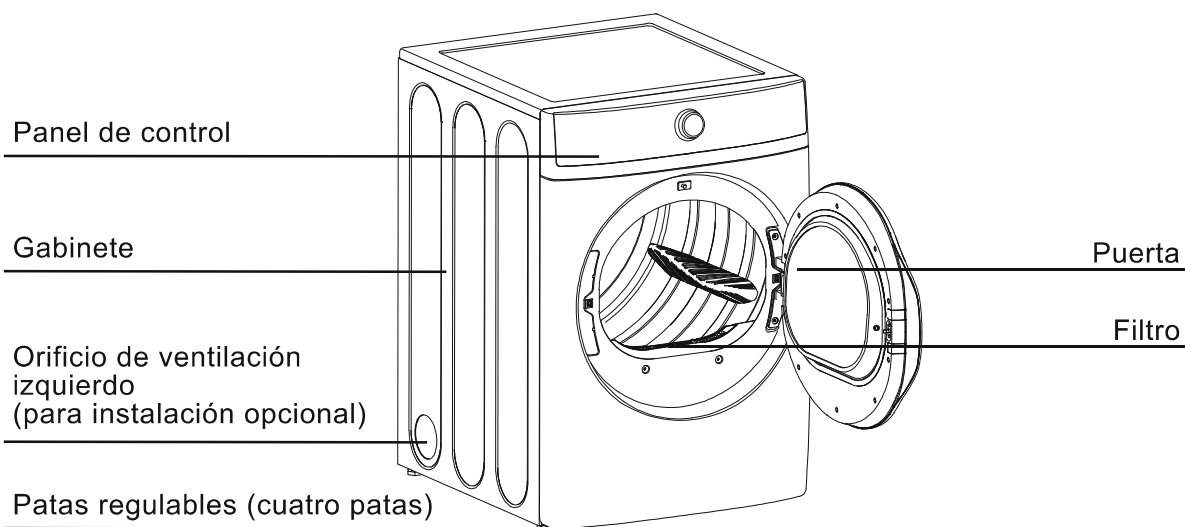
Instrucciones de Instalación

Uso del Secador

Cuidado del Secador

Solución de Problemas

Apéndice



## PIEZAS DE REPUESTO Y ACCESORIOS

Si su secadora requiere piezas de repuesto o accesorios, comuníquese con el distribuidor donde adquirió la secadora, o con el centro de atención al cliente de **MIDEA**, llamando al +1 (866) 646-4332.

# INSTRUCCIONES DE INSTALACIÓN

Para una instalación correcta, se recomienda contratar a un instalador calificado.

## EXTRACCIÓN DEL ELECTRODOMÉSTICO DEL EMBALAJE

- Desempaque la secadora e inspecciónela para detectar cualquier daño causado durante el transporte. Cerciórese de que haya recibido todos los elementos que se muestran a continuación.
- Para evitar lesiones físicas o esfuerzos, use guantes de protección cuando levante o transporte la unidad.

### ADVERTENCIA

Los materiales de embalaje pueden ser peligrosos para los niños;

Mantenga todo el material de embalaje (bolsas de plástico, poliestireno, etc.) fuera del alcance de los niños.

## HERRAMIENTAS NECESARIAS

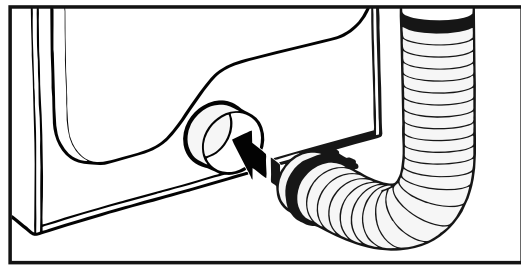
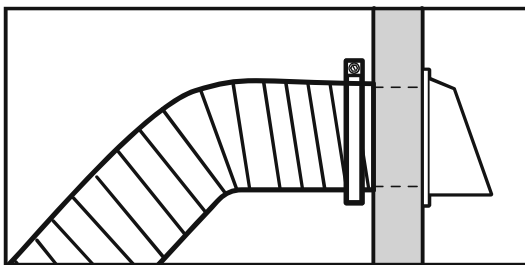


## ELECCIÓN DE LA UBICACIÓN CORRECTA

1. Mueva la secadora a una ubicación adecuada para la instalación. Considere instalar la secadora y lavadora lado a lado, para permitir acceso a las conexiones de gas, electricidad y escapes. Coloque dos de las almohadillas protectoras de cartón en el suelo. Ponga la secadora de lado, de manera que quede acostada sobre ambas almohadillas protectoras.
2. Para mover la secadora con facilidad, coloque los protectores de cartón del embalaje en el suelo. Incline la secadora de lado para que repose sobre ambos protectores. Empuje la secadora para que esté cerca de su ubicación final, y luego coloque la secadora en posición vertical.

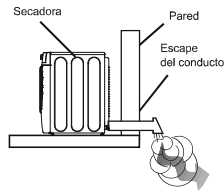
## INSTALACIÓN DEL SISTEMA DE ESCAPE

1. Consulte la sección “Requisitos del escape” antes de instalar el sistema de escape.
2. Instale los conductos desde la secadora hasta la cubierta de escape. Los extremos ondulados de las secciones del conducto deben apuntar hacia fuera de la secadora.
3. NO USE tornillos de chapa metálica al ensamblar los conductos.
4. Estas uniones deben sellarse con cinta.
5. Jamás use material de escape flexible de plástico.
6. Consejo para instalaciones con poco espacio: instale una sección del sistema de escape en la secadora antes de colocar la secadora en su lugar.
7. Use cinta aislante para asegurar la sección a su secadora, pero no cubra las ranuras de ventilación en la parte de atrás de la unidad, en el gabinete de la secadora.

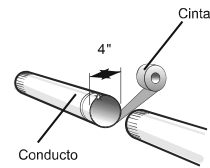


## ADVERTENCIA

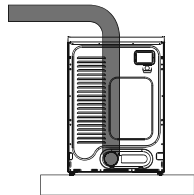
Asegúrese de que la secadora esté instalada correctamente, para que expida el aire fácilmente.



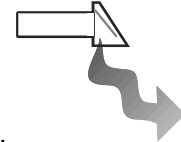
Use un conducto de metal rígido con 4 pulgadas (10,2 cm) de diámetro. Coloque cinta en todas las juntas, incluso las de la secadora. Nunca use tornillos que puedan atrapar pelusa.



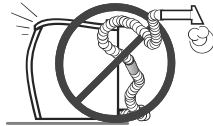
Mantenga los conductos lo más recto posible.



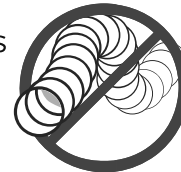
Limpie todos los conductos antiguos antes de instalar la secadora nueva. Asegúrese de que la compuerta de ventilación se abra y cierre libremente. Inspeccione y limpie el sistema de escape anualmente.



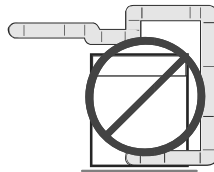
NO restrinja su secadora con un sistema de escape ineficiente.



NO use conductos flexibles de plástico, con revestimiento de aluminio delgado, o no metálicos.



NO use conductos innecesariamente largos con muchos codos



NO use conductos y ventilación obstruidos o abollados



## CONEXIÓN DE LA LÍNEA DE GAS (PARA MODELOS A GAS)

Consulte la sección “**Requisitos de gas**” en la página 16. Quite la tapa protectora de la rosca para tubos.

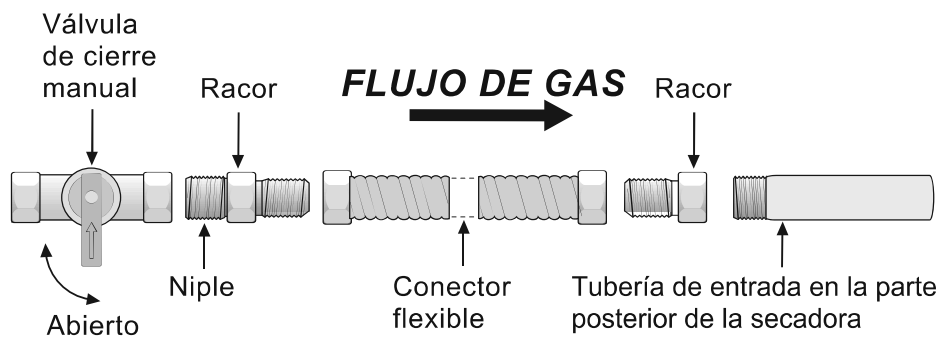
Coloque un compuesto de juntas para tuberías o aproximadamente 1½" (3,81 cm) de vueltas de cinta de teflón sobre todas las conexiones roscadas.

- El compuesto de juntas de tuberías debe ser resistente a la acción de cualquier gas licuado de petróleo.

Conecte el suministro de gas a la secadora. Se requiere un empalme adicional para conectar el extremo de rosca hembra de ¾" (1,9 cm) de un conector flexible al extremo de rosca macho de ¾" (1 cm) en la secadora. Utilice únicamente nuevas líneas de suministro de gas certificadas por AGA o CSA con conectores flexibles de acero inoxidable, a 6 pies (1,8 m) de la secadora.

Ajuste firmemente el empalme de la línea de gas sobre las roscas.

Encienda el suministro de gas.



Todas las conexiones deben ajustarse con llave

### **ADVERTENCIA**

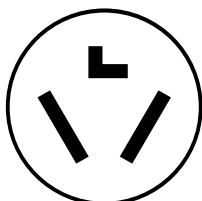
- Todas las instalaciones de gas de la secadora deben estar equipadas con una válvula de cierre manual.
- Las tuberías de cobre no revestidas se corroerán cuando se expongan a gas natural, provocando fugas de gas. Use SOLO tuberías de hierro negro, acero inoxidable o latón plastificado para el suministro de gas.
- Verifique todas las conexiones de gas para detectar fugas utilizando una solución jabonosa.
- Si aparecen burbujas, ajuste las conexiones y vuelva a verificarlas. NO use una llama expuesta para verificar fugas de gas.

# CONEXIÓN DEL CABLEADO ELÉCTRICO

Consulte la sección “**Requisitos eléctricos**” en la página 17.

ANTES DE PROBAR O PONER EN FUNCIONAMIENTO el electrodoméstico, siga las instrucciones de conexión a tierra de la sección “**Conexión a tierra**” en la página 19.

## TOMACORRIENTE DE TRES CABLES



Tomacorriente de 3 cables (10-30R)

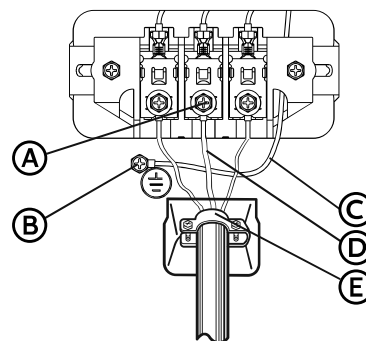
Luego, elija un cable de alimentación de 3 cables con terminales de horquilla o anillo y prensacable con certificación UL. El cable de alimentación eléctrica de 3 cables, de al menos 4 pies (1,22 m) de largo, debe tener 3 cables de cobre sólido calibre 10 y ser compatible con un tomacorriente de 3 cables NEMA tipo 10-30R.

### Conexiones de sistema de 3 cables

1. Quite el tornillo central del bloque terminal.
2. Conecte el cable neutro (blanco o cable central) del cable de alimentación con el tornillo terminal central del bloque terminal. Asegúrese de pasar el tornillo a través del anillo de la terminal del cable de alimentación y ajuste el tornillo.
3. Conecte los demás cables con los tornillos externos del bloque terminal. Asegúrese de pasar el tornillo a través del anillo terminal y ajuste el tornillo.
4. Ajuste los tornillos del prensacable.
5. Inserte la lengüeta de la tapa del bloque terminal dentro de la ranura del panel trasero de la secadora. Fije la tapa con un tornillo.

Instrucciones para el sistema de 3 cables:

- (A) Tornillo central del bloque terminal
- (B) Conector a tierra externo
- (C) Cable neutro de conexión a tierra (blanco)
- (D) Cable neutro (blanco o cable central)
- (E) Prensacable con certificación UL de 3/4" (1,9 cm)

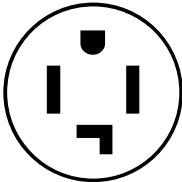




## ADVERTENCIA

Si se convierte de un sistema eléctrico de 4 alambres a un sistema de 3 alambres, el alambre de conexión a tierra neutro debe conectarse al conector de tierra externo para conectar a tierra el marco de la secadora al conductor neutro. Se recomiendan terminales de tipo anillo. Si utiliza terminales de correa, asegúrese que estén apretados.

## TOMACORRIENTE DE CUATRO CABLES



Tomacorriente de 4 cables (14-30R)

Luego, elija un cable de alimentación de 4 cables con terminales de horquilla o anillo y prensacable con certificación UL. El cable de alimentación de 4 cables, de al menos 4 pies (1,22 m) de largo, debe tener 4 cables de cobre sólido calibre 10 y ser compatible con un tomacorriente de 4 cables NEMA tipo 14-30 R. El cable de conexión a tierra (conductor a tierra) puede ser verde o estar pelado. El conductor neutro debe estar identificado con color blanco.

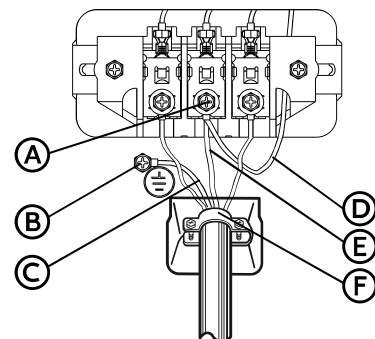
### Conexiones de sistema de 4 cables

1. Quite el tornillo central del bloque terminal.
2. Conecte el cable de conexión a tierra (verde o pelado) del cable de alimentación al tornillo del conductor a tierra externo.
3. Conecte el alambre neutro (blanco) del cable de alimentación y el cable neutro de tierra del aparato (blanco) debajo del tornillo central del bloque de terminales. Asegúrese de cruzar el tornillo a través del anillo del cable de alimentación y del cable neutro de tierra del aparato. Apriete el tornillo.
4. Conecte los demás cables con los tornillos externos del bloque terminal. Asegúrese de pasar el tornillo a través del anillo terminal y ajuste el tornillo.
5. Ajuste los tornillos del prensacable.
6. Inserte la lengüeta de la tapa del bloque terminal dentro de la ranura del panel trasero de la secadora. Fije la tapa con un tornillo.

Instrucciones para el sistema de 4 cables:

**IMPORTANTE:** Se recomiendan terminales de anillo. Si usa terminales de correa, asegúrese de que estén apretados.

- (A) Tornillo central del bloque terminal
- (B) Conector a tierra externo
- (C) Cable de cobre verde o pelado del cable de alimentación
- (D) Cable neutro de conexión a tierra (blanco)
- (E) Cable neutro (blanco)
- (F) Prensacable con certificación UL de 3/4" (1,9 cm)



## ADVERTENCIA



### **Peligro de Choque Eléctrico**

Todos los modelos de EE. UU. se fabrican para una CONEXIÓN DE SISTEMA DE 3 CABLES.

El bastidor de la secadora tiene conexión a tierra mediante el conductor neutro en el bloque terminal. Se requiere de **UNA CONEXIÓN DE SISTEMA DE 4 CABLES** para construcciones nuevas o remodeladas, casas rodantes, o si los códigos locales no permiten la conexión a tierra mediante conductor neutro. Si se utiliza un sistema de 4 cables, el bastidor de la secadora no puede conectarse a tierra mediante el conductor neutro en el bloque terminal. Consulte la sección “**Requisitos eléctricos**” en la página 17 para las CONEXIONES DE SISTEMA DE 4 CABLES O 3 CABLES.

Quite la tapa del bloque terminal.

Inserte el cable de alimentación con un prensacable con certificación UL a través de la manguera provista en el gabinete, cerca del bloque terminal.

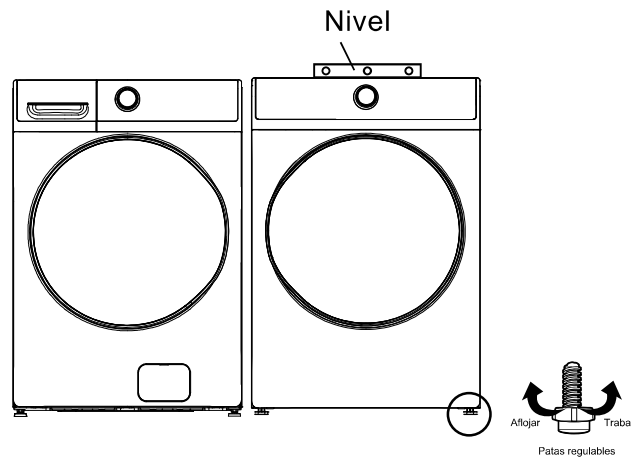
Asegúrese de que estén ajustadas. Utilice una llave de cubo largo de  $\frac{3}{8}$ " (1 cm) de profundidad.

- Se debe utilizar un prensacable.

## NIVELACIÓN DE LA SECADORA

Para garantizar que la secadora tenga un rendimiento óptimo de secado, debe estar nivelada. Para minimizar la vibración, el ruido y los movimientos no deseados, el suelo debe ser una superficie sólida, perfectamente a nivel.

- Ajuste las patas niveladoras solo lo necesario para nivelar la secadora. Extender las patas niveladoras más de lo necesario puede causar que la secadora vibre.



## ENCENDIDO

Asegúrese de que todas las conexiones de gas (solo modelos a gas), escape y eléctricas se hayan completado. Enchufe la secadora.

## REVISIÓN FINAL

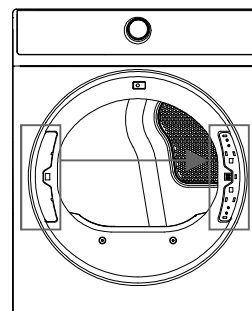
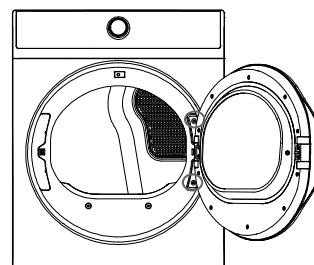
- Asegúrese de que la secadora esté conectada en un tomacorriente eléctrico y que cuente con conexión a tierra adecuada.
- Los conductos de escape deben estar conectados y las uniones selladas.
- NO se utiliza un conducto de plástico flexible.
- Se debe utilizar material de ventilación de metal rígido o metal flexible con paredes endurecidas.
- La secadora debe estar nivelada y yacer firmemente sobre el suelo.
- Modelos a gas: Al encender el gas, no debe haber fugas.
- Encienda la secadora para confirmar que funcione, caliente y se apague.

### **!** PRECAUCIÓN

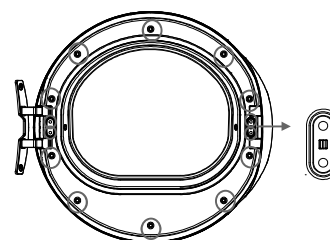
Es posible que el quemador no se encienda al principio, debido a aire en la línea de gas. Permitir que la secadora funcione con una configuración de calor purgará la línea. Si el gas no se enciende dentro de los 5 minutos, apague la secadora y espere 5 minutos. Asegúrese de haber abierto el suministro de gas a la secadora. Para poder confirmar el encendido del gas, verifique que salga calor del escape.

## PROCEDIMIENTO DE INVERSIÓN DE LA PUERTA

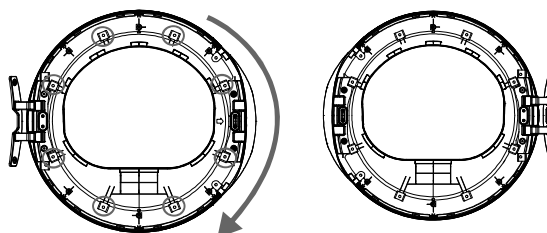
1. Desconecte el cable de alimentación.
2. Quite los dos tornillos de las bisagras de la puerta.
3. Quite la puerta levantándola.
4. Con un destornillador de punta plana, retire la cubierta del orificio de la bisagra.
5. Instale la cubierta del orificio de la bisagra en el lado opuesto.



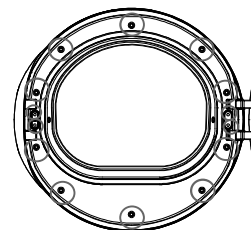
6. Quite los 14 tornillos de la cubierta posterior y luego quite la contratapa y el perno de la puerta.



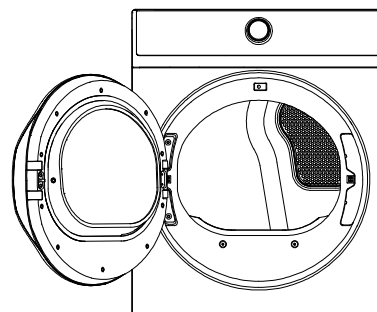
7. Quite los 8 tornillos de la parte interior de la puerta y rote el resto de las piezas 180 grados.



8. Ensamble la parte interior de la puerta y la contratapa, coloque el perno de la puerta del lado opuesto y luego ajuste los 14 tornillos que se quitaron en el paso 6.



9. Instale la puerta en el marco frontal y luego ajuste los 2 tornillos que se quitaron en el paso 2.

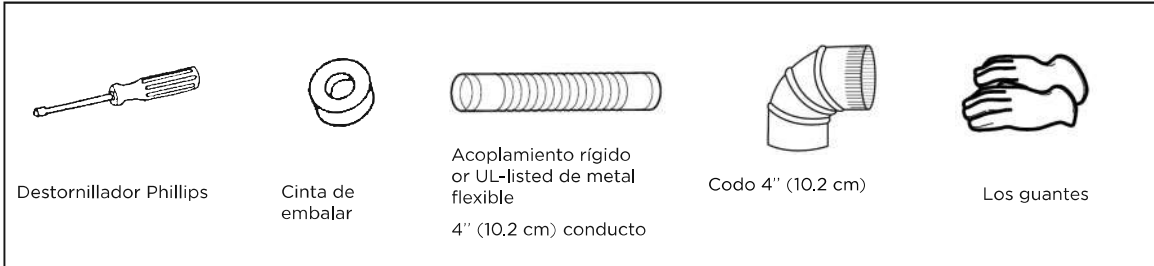


## CAMBIE EL SECADORA VENT UBICACIÓN

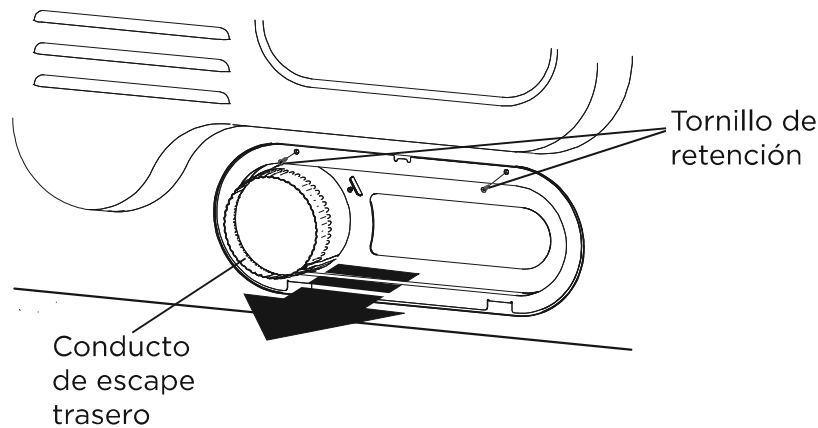
Su nueva secadora se envía para ventilar hacia la parte trasera. También puede configurarse para que se ventile a él abajo o de lado izquierdo (visto desde la parte delantera).

Un kit adaptador es un componente estándar que puede adquirir en el mercado local.

### Herramientas y materiales que vas a necesitar

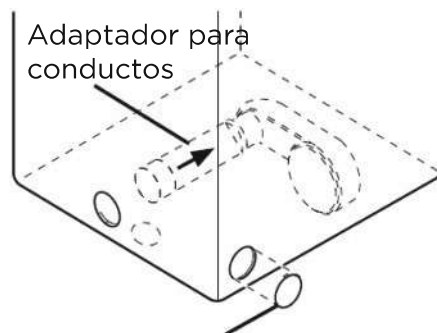


1. Retire los tornillos de retención de escape traseros. Tire el conducto de escape.



### Opción 1: Ventilación lateral

2. Oprima the tabs on the knockout and carefully remove the knockout for the desired abertura del ventilador. Fije the adapter duct onto the blower housing of the dryer as shown.

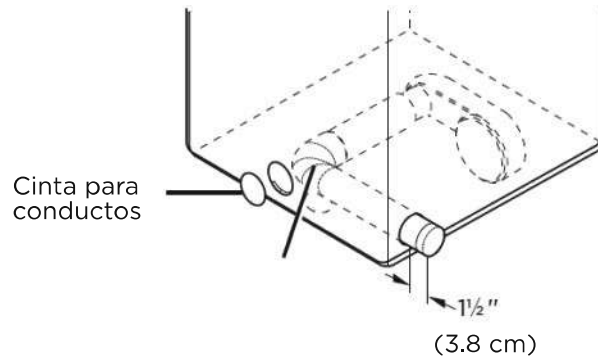


3. Prensamble un 4 pulgadas (10.2 cm) el codo hasta la proxima 4 pulgadas (10.2 cm) sección del conducto, y asegure todas las uniones con cinta adhesiva. Asegúrese de que el extremo macho del codo caras ALEJADOS de la secadora.

Inserte el codo/ensamble del ducto a través de la Apertura lateral y colóquela en el adaptador del conducto.

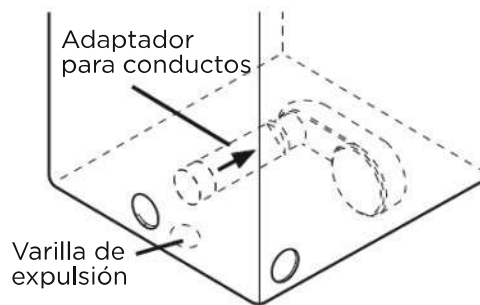
Asegúrelo en su lugar con cinta adhesiva. Asegúrese de que el extremo macho del conducto sobresalga 1.5 pulgadas (3.8 cm) para conectar el resto de los conductos. Coloque cinta adhesiva para el reverso de la secadora.

Coloque cinta adhesiva plateada en el agujero ciego retirado del orificio de la parte posterior de la secadora.

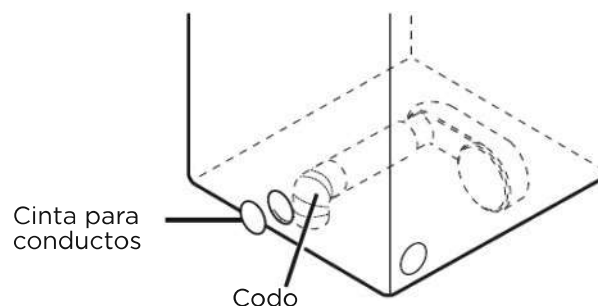


## Opción 2: Ventilación inferior

2. Presione las lenguetas de la eliminadora y retire cuidadosamente el ideal para la abertura del ventilador. Conecte el adaptador del conducto en la carcasa del soplador de la secadora como se muestra.

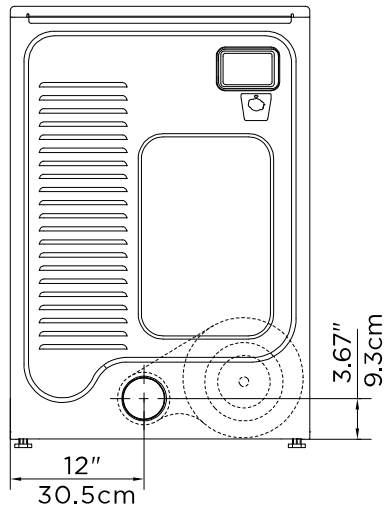


3. Inserte los 4 pulgadas (10.2 cm) codo a través de la parte trasera de apertura y adjúntelo en el adaptador del conducto. Asegúrese de que el extremo macho del codo hacia abajo a través del orificio en la parte inferior de la secadora. Asegúrelo en su lugar con cinta adhesiva. Coloque cinta adhesiva para el reverso de la secadora. Coloque cinta adhesiva plateada en el agujero ciego retirado del orificio de la parte posterior de la secadora.

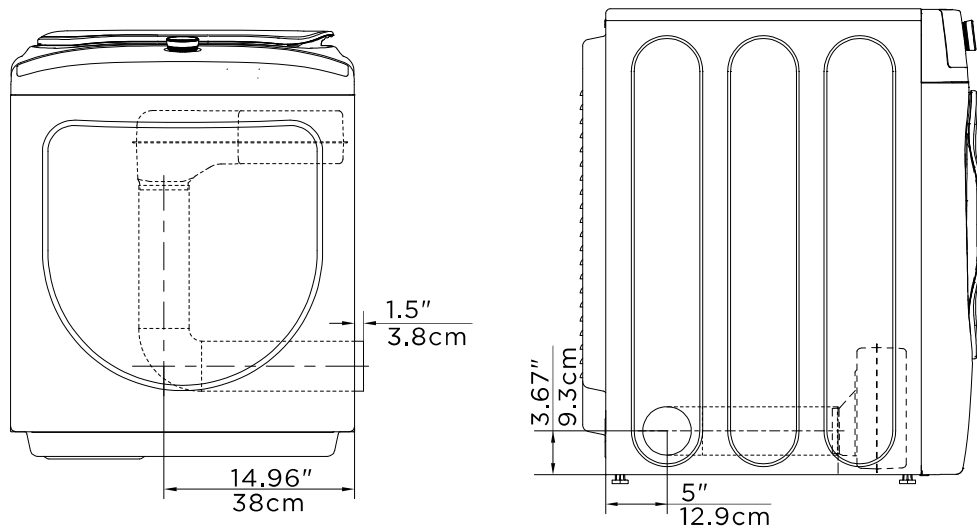


## Dimensiones para la instalación

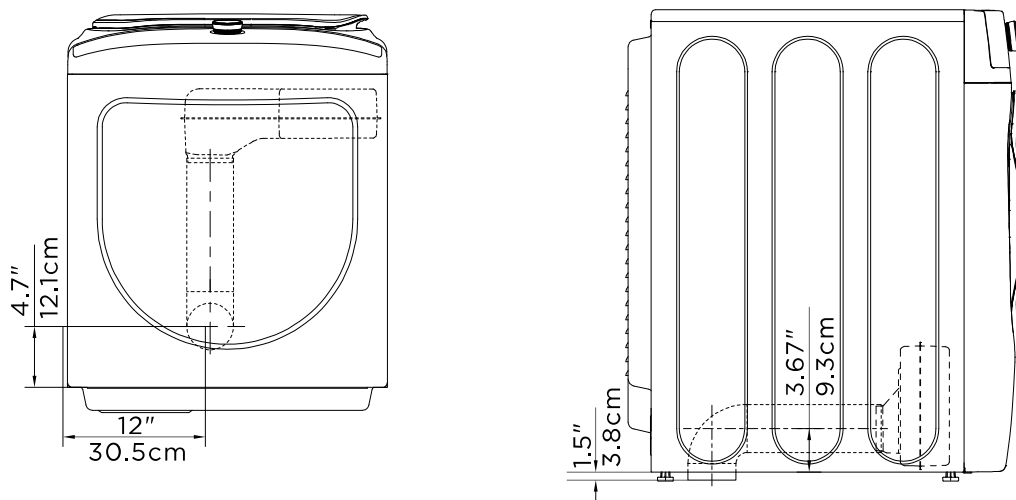
- Ventilación trasera (predeterminado)



- Ventilación lateral



- Ventilación inferior

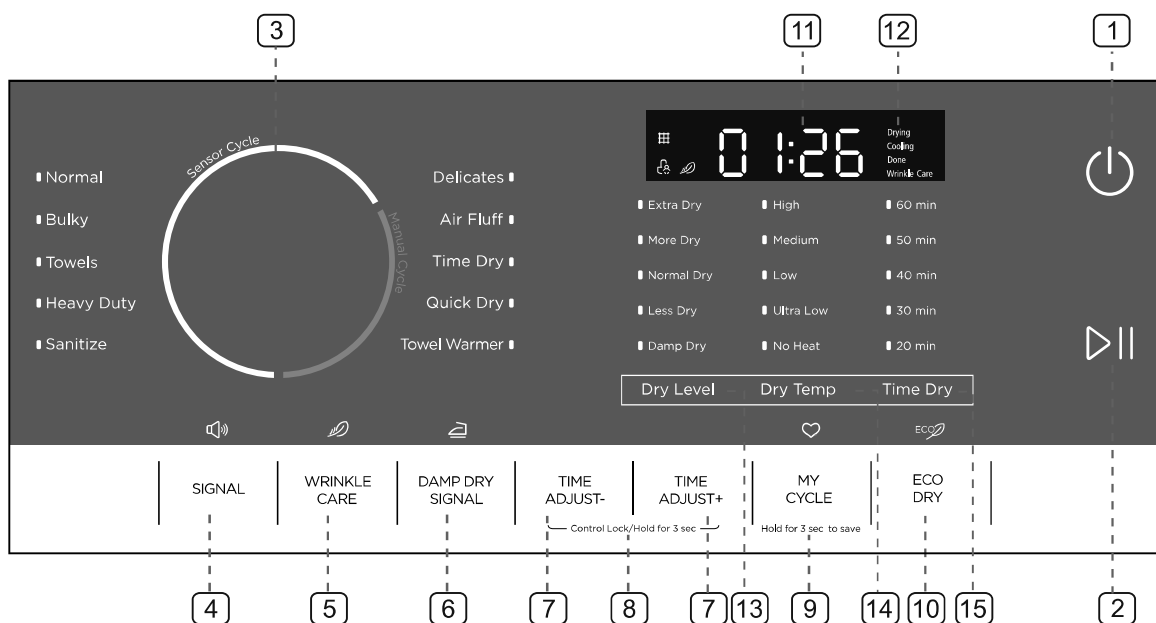


# USO DEL SECADOR

## PANEL DE CONTROL

### ADVERTENCIA

Para reducir el riesgo de incendio, descarga eléctrica o lesiones a personas, lea las INSTRUCCIONES IMPORTANTES DE SEGURIDAD antes de utilizar el electrodoméstico.



### 1 Botón de encendido

Púlselo para encender o apagar la secadora. Si la secadora queda encendida durante más de 10 minutos sin haberse pulsado ningún otro botón, se apagará automáticamente.

### 2 Botón Start/Pause (Inicio/Pausa)

Púlselo para iniciar o pausar el programa. No puede cambiar ninguna configuración; solo sirve para agregar una prenda.

### 3 Selector de ciclo

Seleccione el ciclo deseado para el tipo de carga.

El ciclo que seleccione determinará el control de calor para el ciclo.

Los ciclos Normal, Delicates (Prendas delicadas), Bulky (Artículos voluminosos), Towels (Toallas), Heavy Duty (Intenso) y Sanitize (Desinfectar) son ciclos Sensor Dry (Sensor de humedad).

Los ciclos Air Fluff (Secado con aire), Time Dry (Secado por tiempo), Quick Dry (Secado rápido), Towel Warmer (Secado con calor para toallas) son ciclos Manual Dry (Secado con detención manual).

**4 Signal (Señal)**

Púselo una vez para detener el timbre indicador.

Púselo nuevamente para activar el sonido.

Su selección se mantendrá hasta que lo pulse nuevamente.

Un doble pitido significa que la selección no está disponible.

**5 Wrinkle Care (Tratamiento antiarrugas)**

Púselo una vez para agregar el paso de Wrinkle Care (Tratamiento antiarrugas) al programa en funcionamiento.

Púselo nuevamente para cancelar la selección.

Wrinkle Care (Tratamiento antiarrugas) proporciona aproximadamente 90 minutos de rotación intermitente en aire no calentado al final del ciclo para reducir las arrugas. La carga ya está seca y puede quitarse en cualquier momento durante el ciclo Wrinkle Care (Tratamiento antiarrugas).

**6 Damp Dry Signal (Señal de casi seco)**

Esta función es útil cuando desea quitar algunas prendas para plancharlas. La unidad emitirá un pitido 6 veces cuando el nivel de humedad de la ropa sea adecuado para plancharla. En ese momento, puede quitar algunas prendas y continuar secando el resto si pulsa el botón "START/PAUSE" (Inicio/Pausa) una vez.

**NOTA:** La unidad no dejará de funcionar si no quita las prendas para plancharlas.

**7 Time adjust (Ajuste de tiempo)**

Estos botones sirven solo para los ciclos Manual. Pulse estos botones para cambiar el tiempo de secado que prefiera. Pulse repetidamente para obtener el tiempo de secado deseado.

**8 Control de bloqueo**

Pulse los botones "Time Adjust-" (Ajuste de tiempo-) y "Time Adjust+" (Ajuste de tiempo+) juntos para activar la función de control de bloqueo. Púselos nuevamente durante 3 segundos para desactivar la función. Cuando la función de control de bloqueo esté activada, no funcionará ningún botón salvo el botón de encendido.

**9 My cycle (Mi ciclo)**

Pulse y mantenga presionado el botón durante 3 segundos para registrar su ciclo de secado favorito. Púselo una vez para cargar su configuración de ciclo favorita.

## 10 **Eco Dry (Secado ecológico)**

Púlselo para seleccionar el ciclo Eco Dry (Secado ecológico). Esta función reducirá el consumo de energía al reducir la temperatura de secado pero aumentando el tiempo de operación.

## 11 **Pantalla digital**

Esta pantalla digital mostrará la duración del ciclo que configure, o el tiempo restante del ciclo en funcionamiento.

## 12 **Indicador de estado de ciclo**

El familiar indicador gráfico o mensaje de texto se enciende cuando la secadora se encuentra en su programa de secado. Cuando todo el programa haya finalizado, el "Listo" indicador gráfico cambiará flashto recordarle para descargar su ropa.

## 13 **Dry Level (Secado)**

Pulse el botón para seleccionar el nivel de secado. El tiempo de secado varía según el nivel de secado. Para planchar la ropa manualmente, se debe seleccionar un nivel de secado más bajo.

## 14 **Dry Temp (Temperatura de secado)**

Pulse el botón para seleccionar la temperatura de secado.

High (Alta): Para telas de algodón resistente o aquellas etiquetadas como Tumble Dry (Apto para secadora).

Medium (Media): Para telas con planchado permanente, sintéticas, de algodón finas, aquellas etiquetadas como Tumble Dry Medium (Apto para secadora a temperatura media).

Low (Baja): Para tejidos sintéticos o lavables que requieren una temperatura de secado más baja que la media.

Ultra Low (Ultrabaja): Para artículos sensibles al calor, etiquetados como Tumble Dry Low (Apto para secadora a temperatura baja) o Tumble Dry (Apto para secadora)

Warm (Apto para secadora a temperatura cálida).

No Heat (Sin calor): Proporciona solo el ciclo de aire sin calor.

## 15 **Time Dry (Secado por tiempo)**

Este botón es una selección rápida para la configuración Time Dry (Secado por tiempo).

# CÓMO SECAR UNA CARGA DE ROPA

## 1. Encienda su secadora.



- Pulse el botón de encendido para encender la secadora.
- El "Limpie el filtro" luz en el proceso barra se deje secar otros 10 veces cuando la secadora esté encendido.
- Debe limpiar el filtro antes de la secadora esté cargado.

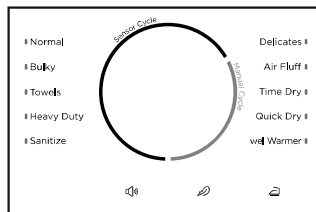


## 2. Cargue la secadora.



- Coloque solo una carga de lavado en su secadora a la vez.
- Las cargas combinadas de telas finas y gruesas se secarán diferente, lo cual puede generar que las telas finas se sequen y que las telas gruesas permanezcan húmedas al finalizar un ciclo de secado.
- Agregue uno o más artículos similares a la secadora solo cuando uno o dos de los artículos de ropa necesitan secarse. Esto mejora el movimiento de rotación del tambor y la eficiencia de secado.
- La sobrecarga restringe la acción de rotación del tambor, causando un secado disparejo, además de exceso de arrugas para algunas telas.

## 3. Seleccione el ciclo y las opciones adecuados para la carga.



- Seleccione el ciclo adecuado usando el selector de ciclo según la tabla de ciclos en la página 37.
- Seleccione la función opcional adecuada usando los botones según la tabla en la página 37.

**NOTA:** Un doble pitido significa que la selección no está disponible.



### ● Su ciclo de secado favorito

Una vez que haya configurado el selector de ciclo y la función de opción, puede pulsar y mantener oprimido el botón "My Cycle" (Mi ciclo) durante 3 segundos para guardar esta configuración en la memoria como su ciclo favorito antes de iniciar la unidad. La luz junto a la perilla destellará para confirmar el registro en la memoria mediante pitidos.

- Puede completar este paso pulsando el botón "My Cycle" (Mi ciclo) una vez para usar su ciclo favorito o para realizar cambios adicionales.

## 4. Inicie su secadora.



Pulse el botón **Start/Pause** (Inicio/Pausa) para iniciar el ciclo seleccionado. Para PAUSAR el ciclo, pulse el botón **Start/Pause** (Inicio/Pausa) y luego abra la puerta. Para reanudar el funcionamiento luego de cerrar la puerta, siempre pulse el botón **Start/Pause** (Inicio/Pausa). Si abre la puerta durante el funcionamiento, la secadora se detendrá inmediatamente, y deberá pulsar el botón **Start/Pause** (Inicio/Pausa) para reanudarlo.

Ciclo	Tipo de tela	Temperatura de secado	Secado	Secado por tiempo	ANTI-ARRUGAS	SEÑAL DE CASI SECO	AJUSTE DE TIEMPO	SECADO ECO-LÓGICO	Tiempo pre-determinado (eléctrica)	Tiempo pre-determinado (gas)	Cantidad máxima
Normal	Algodón Ropa interior Ropa blanca	Media	Extra Seco	No	Sí	Sí	No	Sí	37min	37min	
			Más Seco								
			Secado Normal								
			Menos Seco								
			Casi Seco			No					
Bulky	Frazadas Sábanas Colchas	Media	Extra Seco	No	Sí	No	No	Sí	42min	42min	
			Más Seco								
			Secado Normal								
			Menos Seco								
			Casi Seco								
Toallas	Toallas Telas de algodón grueso	Alta	Extra Seco	No	Sí	Sí	No	Sí	50min	50min	
			Más Seco								
			Secado Normal								
			Menos Seco								
			Casi Seco			No					
Heavy Duty (Intenso)	Jeans Corderoy Ropa de trabajo	Alta	Extra Seco	No	Sí	Sí	No	Sí	54min	54min	
			Más Seco								
			Secado Normal								
			Menos Seco								
			Casi Seco			No					
Sanitize (Desinfectar)	Ropa de cama Cortinas	Alta	Extra Seco	No	Sí	No	No	No	62min	62min	
Delicates (Prendas delicadas)	Prendas para piel sensible	Baja	Extra Seco	No	Sí	Sí	No	Sí	25min	25min	
			Más Seco								
			Secado Normal								
			Menos Seco								
			Casi Seco			No					
Air Fluff (Secado con aire)		Sin Calor	/	Sí	No	No	Sí	No	20min	20min	
Time Dry (Secado por tiempo)	/	Alta	/	Sí	Sí	No	Sí	No	40min	40min	
		Media									
		Baja									
		Ultra Baja									
		Sin Calor									
Quick Dry (Secado rápido)		Alta	/	Sí	Sí	No	Sí	No	30min	30min	
		Media									
		Baja									
		Ultra Baja									
		Sin Calor									
Towel Warmer (Secado con calor para toallas)	Toallas	Alta	/	Sí	No	No	Sí	No	20min	20min	
		Media									
		Baja									
		Ultra Baja									
		Sin Calor									

\* Las celdas en gris de la tabla indican la configuración inicial. Las celdas marcadas con "Sí" son todas opciones funcionales que puede seleccionar.

\* Para obtener un efecto de secado aún mejor, seleccione un nivel de secado más alto.

\* SIGA GARMENTS ETIQUETAS REQUISITOS

### Recomendaciones del tamaño de la carga:

Para obtener los mejores resultados, siga las recomendaciones para cargas mojadas indicadas para cada ciclo.

**Carga pequeña:** Llène el tambor de la secadora con 3 a 4 artículos, no más de ¼ lleno.

**Carga media:** Llène el tambor de la secadora hasta la mitad

**Carga grande:** Llène el tambor de la secadora hasta ¾ lleno. No lo sobrecargue. Los artículos deben girar libremente.

Seguridad del Secador

Requisitos Operativos

Piezas y Características

Instrucciones de Instalación

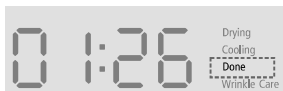
Uso del Secador

Cuidado del Secador

Solución de Problemas

Apéndice

## 5. Descargue la ropa.



- El gráfico del indicador "Listo" parpadeará, la secadora hará un pitido 6 veces luego de que el ciclo haya terminado.

## CONTROL DE BLOQUEO

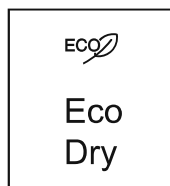


Su secadora tiene un control función de bloqueo para evitar que los niños jueguen con la secadora. Cuando se enciende el control de bloqueo, el único botón que trabaja **"POWER"**.

- Usted puede encender la secadora, establecer esta función, luego apáguelo.
- Al hacerlo, incluso si la unidad esté encendida, aún no pueda arrancarlo antes de que el seguro de control función es desactivado.
- Esta función no será cancelado si su unidad se apaga, como cuando desenchúfelo o se apaga.

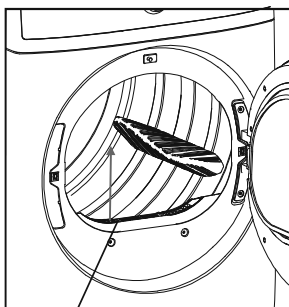
Presione y sostenga los **"Time Adjust-" (Ajuste de tiempo-)** y **"Time Adjust+" (Ajuste de tiempo+)** botones durante tres segundos. El control de bloqueo ico se enciende. Para apagar el control de bloqueo, oprima y sostenga el **"Time Adjust-" (Ajuste de tiempo-)** y **"Time Adjust+" (Ajuste de tiempo+)** botones durante tres segundos.

## ECO DRY (SECADO ECOLÓGICO)



- Esta función reducirá el consumo de energía disminuyendo la temperatura de secado, pero incrementando el tiempo de funcionamiento.

## LIMPIEZA DEL FILTRO



Filtro de pelusa

Para evitar el riesgo de incendio, asegúrese de limpiar el filtro de pelusa antes o después de cada carga.

- Esto acorta el tiempo de secado.
- Esto hace que el consumo de energía del electrodoméstico sea más eficiente.



### PRECAUCIÓN

- No use la secadora sin haber colocado el filtro de pelusa.
- No use la secadora si el filtro de pelusas está dañado o roto. Esto podría reducir el rendimiento o causar un incendio.

## USO DE LA REJILLA DE SECADO

Utilice ciclos manuales para la carga húmeda ocasional que necesita un poco más de tiempo de secado, o cuando utiliza la rejilla de secado.

Si la secadora no cuenta con una rejilla de secado (#12138200003542) pero desea una, comuníquese con el distribuidor donde adquirió la secadora, o con el centro de atención al cliente de MIDEA, llamando al +1 (866) 646-4332.

Quite y deseche cualquier material de embalaje antes del uso. Guarde las instrucciones para referencia futura. Use la rejilla de secado para los artículos que no quiere que giren en la secadora, como suéteres y zapatillas. Cuando usa la rejilla de secado, el tambor continúa girando, pero la rejilla se mantiene inmóvil.

La rejilla de secado está diseñada para uso solo con ciclos manuales, no los ciclos de sensor.

La rejilla está diseñada para ser utilizada solo con ciclos manuales, no con ciclos con sensor.

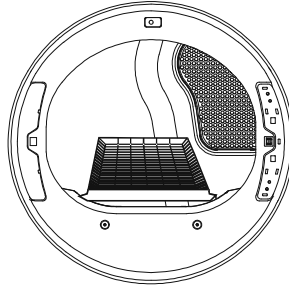
### Para usar la rejilla de secado:



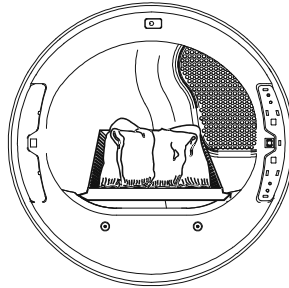
### PRECAUCIÓN

- No quite el filtro de pelusa.

1. Abra la puerta de la secadora.



2. Alinee los dos ganchos en el frente de la rejilla de secado con los orificios en la apertura de la puerta de la secadora e introduzca los ganchos completamente en los orificios presionando hacia abajo. Apoye el soporte trasero en el saliente trasero de la secadora.



3. Coloque los artículos mojados en la rejilla de secado. Deje espacio alrededor de los artículos para que circule el aire. La rejilla de secado no se mueve, pero el tambor rotará; asegúrese de dejar espacio libre suficiente entre los artículos y el interior del tambor de la secadora. Asegúrese de que los elementos no cuelguen de los bordes ni sobresalgan de la rejilla de secado.
4. Cierre la puerta.
5. Seleccione Time Dry (Secado por tiempo). Seleccione las configuraciones Air Only (Solo aire) y temperaturas Low (Baja) o Extra Low (Extrabaja). Los elementos que contengan gomaespuma, goma o plástico deben secarse en un tendedero o utilizando la configuración Air Only (Solo aire).
6. Cuando se selecciona el ciclo, el visor de tiempo estimado restante muestra el tiempo predeterminado. Puede modificar el tiempo real del ciclo aumentando o disminuyendo el tiempo del ciclo.
7. Pulse START/PAUSE (Inicio/Pausa).

**NOTA:** Verifique el filtro de pelusa y quite la pelusa acumulada de prendas secadas en la rejilla de secado luego de que el ciclo haya finalizado.

## CONSEJOS PARA CARGAS ESPECIALES

Siga las instrucciones de cuidado de la etiqueta o del fabricante para secar prendas especiales. Si las instrucciones de cuidado de la etiqueta no están disponibles, use la siguiente información como guía.

Artículos	Guía de secado de prendas
<b>Cubrecamas y colchas</b>	<ul style="list-style-type: none"> <li>● Siga las instrucciones de cuidado de la etiqueta o seque los artículos con el ciclo Bulky (Artículos voluminosos).</li> <li>● Asegúrese de que la prenda esté completamente seca antes de usarla o guardarla.</li> <li>● Es posible que deba cambiar la posición de la prenda dentro de la secadora para asegurarse de que se seque de manera pareja.</li> </ul>
<b>Frazadas</b>	<ul style="list-style-type: none"> <li>● Use el ciclo Normal y seque solo una frazada a la vez para obtener un funcionamiento óptimo de rotación del tambor durante el secado.</li> <li>● Asegúrese de que la prenda esté completamente seca antes de usarla o guardarla.</li> <li>● Es posible que deba cambiar la posición de la prenda dentro de la secadora para asegurarse de que se seque de manera pareja.</li> </ul>
<b>Cortinas y tapicería</b>	<ul style="list-style-type: none"> <li>● Use el ciclo Casual (Ropa informal), temperatura media y la opción Less Dry (Menos seco) para ayudar a minimizar las arrugas.</li> <li>● Seque este tipo de telas en cargas pequeñas para obtener los mejores resultados y retírelas lo antes posible.</li> </ul>
<b>Pañales de tela</b>	<ul style="list-style-type: none"> <li>● Use el ciclo Normal con temperatura alta para que los pañales queden suaves y mullidos.</li> </ul>
<b>Artículos rellenos con plumas (chaquetas, sacos de dormir, colchas, etc.)</b>	<ul style="list-style-type: none"> <li>● Use el ciclo Normal con temperatura media.</li> <li>● Agregue algunas toallas secas para acortar el tiempo de secado y absorber la humedad.</li> </ul>
<b>Gomaespuma (parte inferior de alfombras, peluches, hombreras, etc.)</b>	<ul style="list-style-type: none"> <li>● NO seque en una configuración con calor. Use el ciclo Air Fluff (Secado con aire, sin calor).</li> </ul> <p><b>ADVERTENCIA:</b> Secar un artículo de goma con calor puede dañarlo o crear un riesgo de incendio.</p>

Artículos	Guía de secado de prendas
<b>Almohadas</b>	<ul style="list-style-type: none"> <li>• Use el ciclo Normal.</li> <li>• Agregue un par de toallas secas y un par de zapatillas limpias para ayudar con la acción de rotación del tambor y para dejar el artículo mullido.</li> </ul> <p>NO seque almohadas de gomaespuma o de fibra de capoc en la secadora. Puede secar estos artículos en la secadora solo si usa el ciclo Air Fluff (Secado con aire).</p>
<b>Plásticos (cortinas de ducha, fundas para muebles de exterior, etc.)</b>	<ul style="list-style-type: none"> <li>• Use el ciclo Air Fluff (Secado con aire) o el ciclo Time Dry (Secado por tiempo) con la configuración de temperatura Low (Baja) o Ultra Low (Ultrabaja), según lo que indiquen las instrucciones de cuidado de la etiqueta.</li> </ul>

Artículos que NO debe secar:

- Artículos de fibra de vidrio (cortinas, tapicería, etc.)
- Artículos de lana, a menos que la etiqueta lo recomiende.
- Artículos con manchas o impregnados con aceite vegetal o de cocina.

## CUIDADO DEL SECADOR



### ADVERTENCIA

- Ciertas partes internas no están conectadas a tierra intencionalmente y pueden presentar un riesgo de descarga eléctrica solo durante el servicio. Personal de servicio: No haga contacto con las siguientes partes mientras el electrodoméstico está energizado: válvula de entrada, tablero de control y termistor de regulación de la temperatura (ubicado en la caja del ventilador).

## LIMPIEZA Y MANTENIMIENTO

### PANEL DE CONTROL

- Limpie el electrodoméstico con un paño suave y húmedo. No use sustancias abrasivas.
- No rocíe los productos de limpieza directamente sobre el panel.
- Los productos quitamanchas y de polvos de pretratamiento para ropa pueden dañar el acabado del panel de control. Aplique dichos productos lejos de la secadora, y limpie cualquier derrame o exceso de rociado inmediatamente.

## TAMBOR ANODIZADO O DE ACERO INOXIDABLE

- Para limpiar el tambor anodizado o de acero inoxidable, utilice un paño húmedo con un producto de limpieza suave y no abrasivo, apto para superficies anodizadas o de acero inoxidable.
- Quite los restos de productos de limpieza y seque la superficie con un paño limpio.

## EXTERIOR DE LA SECADORA

- Limpie el electrodoméstico con un paño suave y húmedo. No use sustancias abrasivas.
- Proteja la superficie de objetos filosos.
- No coloque ningún objeto filoso o pesado ni una caja de detergente sobre la secadora. Guarde dichos elementos sobre el pedestal comprado, o en una caja de almacenamiento independiente. Estos artículos pueden rayar o dañar la tapa superior de la secadora.
- Debido a que toda la secadora tiene un acabado brillante, la superficie se puede rayar o dañar.
- Evite rayar o dañar la superficie cuando utiliza la secadora.

## SISTEMA DE ESCAPE DE LA SECADORA

- Se debe inspeccionar y limpiar anualmente para mantener un rendimiento óptimo.
- Desconecte el conducto de escape de la secadora y de la cubierta de escape (en la salida del escape) en el exterior del inmueble.
- Verifique el interior del conducto y quite cualquier acumulación de pelusa.
- Asegúrese de quitar la pelusa de la cubierta de escape. Es posible que se acumule pelusa en la cubierta de escape, haciendo que las trampas o ventilas no se abran o cierren por completo.
- Luego de limpiar la cubierta de escape, verifique que la trampa o ventilas se muevan libremente.
- Vuelva a ensamblar el conducto de escape y la compuerta, controlando que las uniones estén aseguradas y selladas.
- Haga funcionar la secadora y verifique que el aire del escape no esté obstruido en la ventilación y que no haya fugas en el sistema.
- La cubierta de escape exterior debe limpiarse con más frecuencia para garantizar un funcionamiento adecuado.

# SOLUCIÓN DE PROBLEMAS

## CONSULTE ESTAS SOLUCIONES SI SU SECADORA...

Si su secadora tiene alguno de los siguientes problemas, puede consultar las soluciones que figuran a continuación antes de realizar un llamado para solicitar servicio técnico. Esto le ayudará a ahorrar tiempo y dinero.

Problema	Solución
<b>La unidad no inicia.</b>	<ul style="list-style-type: none"><li>● Asegúrese de que la puerta este trabada y cerrada.</li><li>● Asegúrese de que el cable de alimentación esté conectado a un tomacorriente eléctrico que reciba energía.</li><li>● Verifique el disyuntor y los fusibles del hogar.</li><li>● Pulse el botón Start/Pause (Inicio/Pausa) nuevamente si la puerta se abre durante el ciclo.</li></ul>
<b>La unidad no calienta.</b>	<ul style="list-style-type: none"><li>● Verifique el disyuntor y los fusibles del hogar.</li><li>● Seleccione una configuración de calor que no sea Air Fluff (Secado con aire) y una temperatura que no sea “No Heat” (Sin calor)</li><li>● En la secadora a gas, verifique que el suministro de gas esté conectado.</li><li>● Limpie el filtro de pelusa y el conducto de escape.</li><li>● Es posible que la secadora se encuentre en el proceso de enfriamiento del ciclo.</li></ul>
<b>No seca.</b>	<ul style="list-style-type: none"><li>● Verifique todo lo anterior, además de lo siguiente:</li><li>● Asegúrese de que la cubierta de escape exterior del hogar pueda abrirse y cerrarse libremente.</li><li>● Verifique que no haya acumulación de pelusa en el sistema de escape. Los conductos se deben inspeccionar y limpiar anualmente.</li><li>● Use un conducto de escape de metal rígido de 4" (10,2 cm).</li><li>● No la sobrecargue. 1 carga de lavado = 1 carga de secado.</li><li>● Separe los artículos de telas gruesas de los de telas finas.</li><li>● Para los elementos grandes y voluminosos como las frazadas y las colchas, es posible que deba cambiar la posición de la prenda dentro de la secadora para asegurarse de que se seque de manera pareja.</li><li>● La carga puede ser muy pequeña como para secarla adecuadamente con la rotación del tambor. Agregue algunas toallas.</li></ul>

Problema	Solución
<b>La unidad es ruidosa.</b>	<ul style="list-style-type: none"> <li>● Verifique que no haya objetos en la carga como monedas, botones sueltos, clavos, cierres rotos, etc. Quítelos de inmediato.</li> <li>● Es normal oír la válvula de gas o el calentador en forma intermitente durante el ciclo de la secadora.</li> <li>● Asegúrese de que la secadora esté nivelada correctamente según se indica en las instrucciones de instalación.</li> <li>● Es normal que la secadora emita un zumbido, debido a la alta velocidad del aire que se mueve a través del tambor de la secadora y el sistema de escape.</li> </ul>
<b>Las prendas no están secas en forma pareja.</b>	<ul style="list-style-type: none"> <li>● Las costuras, los bolsillos y otras áreas gruesas pueden no haberse secado por completo cuando el resto de la carga ha alcanzado el nivel de secado seleccionado. Esto es normal. Seleccione la configuración Extra Dry (Extraseco) si lo desea.</li> <li>● Si una prenda de tela gruesa se seca con una carga de ropa fina, como una toalla con sábanas, es posible que el artículo de tela gruesa no se seque por completo cuando el resto de la carga alcance el nivel de secado seleccionado. Separe los artículos de telas gruesas de los de telas finas para obtener los mejores resultados de secado.</li> </ul>
<b>La secadora se apaga antes de que la carga esté seca.</b>	<ul style="list-style-type: none"> <li>● La carga de la secadora es demasiado pequeña. Agregue más artículos o algunas toallas y reinicie el ciclo.</li> <li>● La carga de la secadora es demasiado grande. Quite algunos artículos y reinicie la secadora.</li> </ul>
<b>La unidad tiene un olor particular.</b>	<ul style="list-style-type: none"> <li>● Los olores domésticos producto de la pintura, barniz, productos de limpieza abrasivos, etc. pueden ingresar a la secadora junto con el aire de ambiente circundante. Esto es normal, ya que la secadora extrae aire del espacio de aire que rodea a la ubicación de la secadora.</li> <li>● Cuando estos olores permanezcan en el aire, ventile la habitación por completo antes de usar la secadora.</li> </ul>
<b>Los olores permanecen en la ropa luego de renovar el aire</b>	<ul style="list-style-type: none"> <li>● Las telas que tienen olores fuertes deben lavarse utilizando el ciclo de lavado deseado.</li> </ul>
<b>Las prendas aún tienen arrugas luego del proceso Antiarrugas</b>	<ul style="list-style-type: none"> <li>● Las cargas pequeñas de 1 a 4 artículos funcionan mejor.</li> <li>● Cargue menos prendas. Cargue prendas similares.</li> </ul>

Seguridad del Secador
Requisitos Operativos
Piezas y Características
Instrucciones de Instalación
Uso del Secador
Cuidado del Secador
<b>Solución de Problemas</b>
Apéndice

Problema	Solución
<b>La ropa tiene pelusa</b>	<ul style="list-style-type: none"> <li>● Limpie el filtro de pelusa antes de cada ciclo.</li> <li>● Algunas telas producen pelusa (por ejemplo, una toalla de algodón mullida) y deben secarse por separado de la ropa que puede atrapar pelusa (por ejemplo, un par de prendas de lino negro).</li> <li>● Divida las cargas más grandes en cargas más pequeñas para el secado.</li> <li>● Revise los bolsillos completamente antes de lavar y secar ropa.</li> </ul>

## CÓDIGOS DE ERROR

Código de error	Causa posible	Soluciones
E9	El circuito del panel de control no funciona.	Llame al centro de servicio técnico para solicitar asistencia y no use la secadora.
E4	No funciona el sensor de humedad.	<p>La unidad completará el ciclo de funcionamiento actual, pero es posible que las prendas se sequen demasiado.</p> <p>La unidad aún puede seguir funcionando con los ciclos de tiempo.</p> <p>Llame al centro de servicio técnico para solicitar asistencia.</p>
E5	No funciona el sensor de temperatura.	Llame al centro de servicio técnico para solicitar asistencia y no use la secadora.

# APÉNDICE

## CUADRO DE CUIDADO DE LAS TELAS

Los siguientes símbolos proporcionan las instrucciones de cuidado de las prendas. Las etiquetas de cuidado de la ropa incluyen símbolos para el lavado, blanqueado, secado y planchado o limpieza en seco cuando es necesario. El uso de símbolos asegura uniformidad entre los fabricantes de prendas nacionales o importadas. Siga las instrucciones de cuidado de la etiqueta para maximizar la vida útil de la prenda y reducir los problemas de lavado.

Ciclo de lavado		Instrucciones especiales		Símbolos de advertencia para el lavado	
	Normal		Secar al aire libre/ colgado		No lavar
	Planchado permanente/ Resistente a las arrugas/ Control de arrugas		Secado por goteo		No retorcer
	Suave/Prendas delicadas		Secar sobre una superficie plana		No usar blanqueador
	Lavar a mano	Ajuste de calor			No secar en secadora
Temperatura del agua**			Alta		Sin vapor (agregado a la plancha)
	Caliente		Media		No planchar
	Tibia		Baja	Limpiar a seco	
	Fría		Cualquier temperatura		Limpiar en seco
Blanqueador			Sin calor/aire		No limpiar en seco
	Cualquier blanqueador (cuando es necesario)	Temperaturas de secado- planchado o vapor			Secar al aire libre/ colgado
	Blanqueador sin cloro (seguro para los colores) Blanqueador (cuando es necesario)		Alta		Secado por goteo
	Ciclo de secado		Media		Secar sobre una superficie plana
Normal			Baja		
	Planchado permanente/ Resistente a las arrugas/ Control de arrugas		Para lana apta para lavado a máquina. Las cargas deben pesar menos de 8 libras (3,6 kg).		
	Suave/Prendas delicadas				

\*\*La cantidad de puntos representa la temperatura del agua de lavado adecuada para los diversos artículos. La gama de temperaturas para el lavado con agua caliente es de 105° a 125 °F/41° a 52 °C, para el lavado con agua tibia de 85° a 105 °F/29° a 41 °C y para el lavado con agua fría de 60° a 85 °F/16° a 29 °C.

# **GARANTÍA LIMITADA DE LA SECADORA DE LAVANDERÍA MIDEA**

**ADJUNTE SU RECIBO AQUÍ. SE REQUIERE  
COMPROBANTE DE COMPRA PARA OBTENER UN  
SERVICIO DE GARANTÍA.**

Tenga a disposición la siguiente información cuando llame al Centro de servicio al cliente:

- Nombre, domicilio y número de teléfono
- Número de modelo y número de serie
- Una descripción clara y detallada del problema
- Comprobante de compra, incluido el nombre y domicilio del distribuidor o vendedor

## **SI NECESITA SERVICIO TÉCNICO:**

1. Antes de contactarnos para coordinar el servicio técnico, determine si su producto requiere reparación. Algunas preguntas pueden resolverse sin el servicio técnico. Dedique algunos minutos a revisar la sección de Solución de problemas del Manual de usuario, o visite <http://us.Midea.com/support>
2. Todo servicio técnico de garantía se provee exclusivamente por parte de prestadores de servicio técnico autorizados de Midea, en los EE. UU. y Canadá.

**Servicio al cliente de Midea**

**En EE. UU. o Canadá, llame al 1-866-646-4332.**

Si se encuentra fuera de los 50 estados de los Estados Unidos o de Canadá, comuníquese con su distribuidor autorizado de Midea para corroborar si aplica una garantía distinta.

## **GARANTÍA LIMITADA**

### **LO QUE CUBRE**

#### **PRIMER AÑO DE GARANTÍA LIMITADA (PIEZAS Y MANO DE OBRA)**

Durante un año a partir de la fecha de compra, si este electrodoméstico se instala, opera y mantiene conforme a las instrucciones adjuntas o provistas con el producto, Midea America Corporation (en adelante, "Midea") cubrirá las piezas de repuesto especificadas de fábrica y la mano de obra de reparación para corregir defectos en los materiales o el trabajo realizado cuando se adquirió este electrodoméstico, o reemplazará el producto, a su exclusivo criterio. En caso de reemplazo del producto, su electrodoméstico quedará cubierto por la garantía por el período restante correspondiente a la garantía de la unidad original.

SU ÚNICO RECURSO EXCLUSIVO CONFORME A ESTA GARANTÍA LIMITADA SERÁ LA REPARACIÓN O EL REEMPLAZO DEL PRODUCTO SEGÚN SE INDICA. El servicio técnico debe ser provisto por una empresa de servicio técnico designada por Midea. Esta garantía limitada es válida solamente en los 50 estados de los Estados Unidos o Canadá y aplica únicamente cuando el electrodoméstico se utiliza en el país en el que se adquirió. Esta garantía limitada entra en vigencia a partir de la fecha de compra original del consumidor. Se requiere comprobante de la fecha de compra original para obtener el servicio técnico conforme esta garantía.

## GARANTÍA LIMITADA

### LO QUE NO CUBRE

1. Uso comercial, no residencial o de múltiples familias, o un uso incoherente con las instrucciones de instalación, de funcionamiento o para el usuario.
2. Instrucciones en el hogar sobre cómo usar el producto.
3. Servicio para corregir el mantenimiento o la instalación inadecuados del producto, instalación no conforme con los códigos eléctricos o corrección del sistema eléctrico del hogar (es decir, cableado de la casa, fusibles, etc.).
4. Piezas consumibles (es decir, bombillas, filtros de agua o de aire, etc.).
5. Defectos o daños causados por el uso de piezas o accesorios no originales de Midea.
6. Daños a causa de accidentes, uso indebido, incendio, inundación, problemas eléctricos, actos de fuerza mayor o el uso de productos no aprobados por Midea.
7. Reparaciones a piezas o sistemas para corregir daños o defectos del producto causados por servicios técnicos no autorizados, alteraciones o modificaciones del electrodoméstico.
8. Daños cosméticos, incluidos rayones, abolladuras, astillados u otros daños al acabado del electrodoméstico, a menos que dichos daños son el resultado de defectos en los materiales o la mano de obra y se informan a Midea dentro de los 30 días de la compra.
9. Mantenimiento de rutina del producto.
10. Productos que fueron comprados “como están” o como productos restaurados.
11. Productos que han sido transferidos de su propietario original.
12. Decoloración, corrosión u oxidación de las superficies como resultado de ambientes corrosivos o cáusticos, incluidos, entre otros, aquellos con altas concentraciones de sal, altos niveles de humedad o de exposición a sustancias químicas.
13. Recogida o entrega. Este producto está destinado para la reparación en el domicilio.
14. Gastos de viaje o transporte para realizar el servicio técnico en ubicaciones remotas donde no se encuentra disponible un representante autorizado del servicio técnico de Midea.
15. Remoción o reinstalación de electrodomésticos inaccesibles o accesorios empotrados (es decir, molduras, paneles decorativos, pisos, ebanistería, islas, encimeras, mampostería, etc.) que interfieran con el servicio técnico, la remoción o el reemplazo del producto.
16. Servicio técnico o piezas para electrodomésticos cuyos números de serie/modelo originales se hayan quitado, alterado o no puedan identificarse fácilmente.

**El costo de la reparación o reemplazo conforme a estas circunstancias excluidas correrá a cargo del cliente.**

---

### EXENCIÓN DE RESPONSABILIDAD DE LAS GARANTÍAS IMPLÍCITAS

LAS GARANTÍAS IMPLÍCITAS, INCLUIDA CUALQUIER GARANTÍA IMPLÍCITA DE COMERCIABILIDAD O GARANTÍA IMPLÍCITA DE IDONEIDAD PARA UN PROPÓSITO ESPECÍFICO, SE LIMITAN A UN AÑO O EL PERÍODO MÁS BREVE PERMITIDO POR LEY. Algunos estados y provincias no permiten limitaciones a la duración de las garantías implícitas de comerciabilidad o idoneidad, de manera que esta limitación podría no aplicar para usted. Esta garantía le otorga determinados derechos legales, y usted cuenta además con otros derechos que varían según el estado o la provincia.

---

### EXENCIÓN DE RESPONSABILIDAD DE LAS DECLARACIONES AJENAS A LA GARANTÍA

Midea no hace ninguna declaración respecto de la calidad, durabilidad o necesidad de servicio técnico o reparaciones para este electrodoméstico, salvo las declaraciones incluidas en esta garantía. Si desea obtener una garantía más extensa o integral que la garantía limitada que se ofrece con este electrodoméstico, consulte con Midea o su vendedor sobre la posibilidad de adquirir una garantía extendida.

---

### LIMITACIÓN DE RECURSOS; EXCLUSIÓN DE RESPONSABILIDAD POR DAÑOS OCASIONALES E INDIRECTOS

SU ÚNICO RECURSO EXCLUSIVO CONFORME A ESTA GARANTÍA LIMITADA SERÁ LA REPARACIÓN DEL PRODUCTO SEGÚN SE INDICA. MIDEA NO SERÁ RESPONSABLE POR DAÑOS OCASIONALES O INDIRECTOS. Algunos estados y provincias no permiten la exclusión o limitación de responsabilidad respecto de los daños ocasionales o indirectos, de manera que esta limitación podría no aplicar para usted. Esta garantía le otorga determinados derechos legales, y usted cuenta además con otros derechos que varían según el estado o la provincia.

# Midea INFORMACIÓN DE REGISTRO

## PROTEJA SU PRODUCTO:

Mantendremos archivados el número de modelo y la fecha de compra de su nuevo producto Midea para ayudarlo a consultar esta información en caso de una reclamación de seguro, como incendio o robo.

El registro del producto no es obligatorio. El no completar y devolver la tarjeta o el formulario no disminuye los derechos de garantía del consumidor.

Regístrese en línea en <https://us.midea.com/product-registration>

O

Por favor, complete y envíe a la siguiente dirección:

Midea America Corp. 759 Bloomfield Ave #386, West Caldwell, NJ 07006-6701

----- (separar aquí) -----

Nombre:	Modelo No.:	Serie No.:
	Tarjeta:	
Dirección:	Fecha de compra:	Nombre de la tienda/distribuidor:
Ciudad:	Estado:	Código postal:
		Dirección de correo electrónico:
Código de área:	Número de teléfono:	Ocupación:
¿Compró una garantía adicional?:		Como su residencia principal:
¿Cómo conoció sobre este producto?:	Edad:	
<input type="checkbox"/> Publicidad <input type="checkbox"/> Demostración en la tienda	Estado civil:	
<input type="checkbox"/> Demostración personal		

*La información recopilada o enviada a nosotros solo está disponible para los empleados internos de la compañía con el fin de contactarle o enviarle correos electrónicos, en función de su solicitud de información, y de los proveedores de servicios de la compañía con el fin de proporcionar servicios relacionados con nuestras comunicaciones con usted. No se compartirán todos los datos con otras organizaciones, con fines comerciales.*

*Por favor considere dejar un comentario del cliente en: [www.midea.com](http://www.midea.com).*

Midea America Corp.  
Parsippany, NJ 07054  
Servicio al cliente 1-866-646-4332


Hecho en China

V1 ESPAÑOL









**Free 3 months  
extension\*** of the  
original limited warranty  
period! Simply text a  
picture of your proof of  
purchase to:

**1-844-224-1614**

\*The warranty extension is for the  
three months immediately following  
the completion of the products  
original warranty period.



**make yourself at home**