

DEHUMIDIFIER

USER MANUAL

MODEL NUMBER

MAD35S1QWT-A	MAD50PS1QWT-A
MAD35S1QGR-A	MAD50PS1QGR
MAD50S1QWT-A	MAD50PS1QWT-S
MAD20S1QWT	MAD50PS1QWT-B



Warning notices: Before using this product, please read this manual carefully and keep it for future reference. The design and specifications are subject to change without prior notice for product improvement.

Consult with the dealer or manufacturer for details.

The diagram above is just for reference. Please take the appearance of the actual product as the standard.

THANK YOU FOR CHOOSING MIDEA!

Before using your new Midea product, please review this manual thoroughly to ensure safe and effective operation of its features and functions.

CONTENTS

CONTENTS	01
SAFETY PRECAUTIONS	02
PRODUCT OVERVIEW	11
SET UP INSTRUCTIONS	12
INSTALLATION INSTRUCTIONS	13
OPERATION INSTRUCTIONS	15
REMOVING COLLECTED WATER	18
CLEANING AND MAINTENANCE	20
NESTING AND STORING INSTRUCTIONS	21
TROUBLESHOOTING TIPS	22
APP INSTRUCTIONS	23
WARRANTY	27
TRADEMARKS, COPYRIGHTS AND LEGAL STATEMENT	28
DISPOSAL AND RECYCLING	28
DATA PROTECTION NOTICE	29

Read This Manual

This manual contains helpful tips for the proper use and maintenance of the dehumidifier. Implementing preventive care can save significant time and money throughout the unit's lifespan.

SAFETY PRECAUTIONS

To prevent injury to the user, or personal and property damage, these instructions must be followed. Incorrect operation due to ignoring of instructions may cause harm or damage. The level of risk is shown by the following indications.

Explanation of Symbols



WARNING

This symbol indicates a hazardous situation which, if not avoided, could result in death or serious injury.



CAUTION

This symbol indicates a hazardous situation which, if not avoided, could result in minor or moderate injury.



CAUTION

- For support, please call the Service Center at 1-866-646-4332.
- This unit is not intended for use by people (including children) with reduced physical, sensory, or mental capabilities or lack of experience and knowledge, unless they have been given supervision or instruction concerning use of the appliance by a person responsible for their safety.
- Children should be supervised to ensure that they do not play with the unit.
- The unit shall be installed in accordance with National wiring regulations and local electrical codes.



NOTICE

All the pictures in this manual are for illustrative purposes only. The actual shape of the purchased dehumidifier may be slightly different, but its operations and functions are similar.



WARNING

- Do not modify power cord length or share the outlet with other appliances. It may cause electric shock or fire due to overheating.
- Do not operate or stop the unit by inserting or pulling out the power plug. It may cause electric shock.
- Do not allow water to enter into electric parts. It may cause failure or electric shock.
- Do not use the power outlet if it is loose or damaged. It may cause fire and electric shock.
- Do not use or keep the power cord close to heating appliances or heat sources such as fireplaces. It may cause fire and electric shock.
- Do not disassemble or modify unit. It may cause failure and electric shock.
- Do not damage or use an unspecified power cord. It may cause fire and electric shock.
- Do not use the unit near flammable gas or combustibles, such as gasoline, benzene, thinner, etc. It may cause fire.
- Do not operate with wet hands. It may cause electric shock.
- Do not open the unit during operation. It may cause electric shock.
- Do not drink the water from the bucket.

WARNING

- Do not use the unit in small spaces or place in a sink or shower. Lack of ventilation can cause overheating and fire.
- Repairs to the unit should not be attempted independently. Avoid fire hazard or electric shock.
- Do not use an extension cord or an adaptor plug. Do not remove any prongs from the power cord.
- Plug in power plug properly. Otherwise, it may cause electric shock or fire due to excess heat generation.
- Unplug the unit if strange sounds, smells, or smoke are present. A damaged product may cause fire and electric shock.
- Ventilate room before operating the unit if there is a gas leak from other appliances.
- If the power cord is damaged, it must be replaced by the manufacturer or an authorized service center in order to avoid electrical risk.
- Before cleaning, turn off the power and unplug the unit.
- Be sure the dehumidifier has been securely and correctly installed according to the installation instructions in this manual. Save this manual for possible future use in removing or installing this unit.
- Be sure the dehumidifier is properly grounded. To minimize shock and fire hazards, proper grounding is important. The power cord is equipped with a three-prong grounding plug for protection against shock hazards.
- The dehumidifier must be used with a properly grounded wall receptacle. If the wall receptacle is not adequately grounded or protected by a time delay fuse or circuit breaker, have a qualified electrician install the proper receptacle. Ensure the receptacle is accessible before the unit installation.
- Ensure that the electrical service is adequate for the selected model. This information can be found on the serial plate, which is located on the side of the cabinet and behind the grille.
- Make sure the bucket is empty of water before nesting unit. If not, it could cause could cause electric shock and/or damage the unit.
- Unplug the unit before nesting it in the bucket. If not, it could cause could cause electric shock and/or damage the unit.
- When unplugging the unit, be sure to grab the plug, not the cord.





CAUTION

- Do not use in places where water may splash onto the unit. Water may enter the unit and degrade the insulation. It may cause an electric shock or fire.
- Place the unit on a level, sturdy section of the floor. If the unit falls over, it may cause water to spill and damage belongings, or cause electrical shock or fire.
- Never insert fingers or other foreign objects into grilles or openings. Take special care to warn children of these dangers. It may cause failure or electric shock.
- Do not climb up on or sit on the unit. Injury may occur if there is a fall, whether from the user or the unit itself.
- Always insert the filters securely, and take caution to avoid injuries to hand and fingers. Clean filter once every two weeks.
- If water enters the unit, turn the unit off and disconnect the power, contact the Service Center at 1-866-646-4332.

CAUTION

- If the unit is knocked over during use, turn off the unit and unplug it from the main power supply immediately. Visually inspect the unit to ensure there is no damage. If damage has been suspected, contact customer service.
- In a thunderstorm, the power should be disconnected to the unit due to lightning.
- Do not run power cord under carpeting. Do not cover cord with throw rugs, runners, or similar coverings. Do not route cord under furniture or appliances. Arrange cord away from traffic area and where it will not be tripped over.
- Do not place anything on top of the unit.
This would restrict airflow, possibly damage the unit and decrease performance.
- Always lift unit with 2 hands using proper lifting technique.
- Before turning the unit on, make sure it is seated correctly on the bucket.
- Before lifting ensure the handle is properly attached.
- Only use the bucket that came with the unit. Do not use any other bucket.
- Clean the bucket regularly.

EXPLANATION OF SYMBOLS DISPLAYED ON THE UNIT

	WARNING	This symbol indicates that this appliance used a flammable refrigerant. If the refrigerant is leaked and exposed to an external ignition source, there is a risk of fire.
	CAUTION	This symbol indicates that the operation manual should be read carefully.
	CAUTION	This symbol indicates that a service personnel should be handling this equipment with reference to the installation manual.
	CAUTION	This symbol indicates that information is available such as the operating manual or installation manual.

WARNING

- Do not try to accelerate the defrosting process or methods of cleaning that are not recommended by the manufacturer.
- The appliance shall be stored in a room without a continuously operating ignition source (i.e. open flames or an operating gas appliance) or an ignition source (i.e. an operating electric heater) close to the appliance. The appliance shall also be stored in a room without ignition sources.
- Do not pierce or burn.
- Be aware that the refrigerants may not contain an odor.
- Keep ventilation openings clear of obstruction.
- Unit is only to be serviced by a Midea authorized servicer, please call Customer Service at 1-866-646-4332 for support.
- Flammable refrigerant R32 is used within air conditioner. Please follow the instructions carefully to handle, install, clean, and service the air conditioner to avoid damage or hazard. Do not dispose of air conditioner in regular trash. Contact qualified agency for proper disposal.
- No open fire or devices that generate spark/arc shall be around the air conditioner to avoid causing ignition of the flammable refrigerant used. Please follow the instructions carefully to store or maintain the air conditioner to prevent mechanical damage from occurring.



CAUTION:
Risk of fire
flammable materials

Explanation of symbols displayed on the unit

	CAUTION	This symbol indicates that the operation manual should be read carefully.
	CAUTION	This symbol indicates that a service personnel should be handling this equipment with reference to the installation manual.
	CAUTION	This symbol indicates that information is available such as the operating manual or installation manual.

WARNING:

- Servicing shall only be performed as recommended by the equipment manufacturer. Maintenance and repair requiring the assistance of other skilled personnel shall be carried out under the supervision of the person competent in the use of flammable refrigerants.
- DO NOT modify the length of the power cord or use an extension cord to power the unit.
- DO NOT share a single outlet with other electrical appliances. Improper power supply can cause fire or electrical shock.
- Please follow the instruction carefully to handle, install, clear, service the appliance to avoid any damage or hazard.
- When maintaining or disposing the appliance, the refrigerant shall be recovered properly, shall not discharge to air directly.
- Compliance with national gas regulations shall be observed.
- Keep ventilation openings clear of obstruction.
- The appliance shall be stored so as to prevent mechanical damage from occurring.
- A warning that the appliance shall be stored in a well-ventilated area where the room size corresponds to the room area as specified for operation.
- Any person who is involved with working on or breaking into a refrigerant circuit should hold a current valid certificate from an industry-accredited assessment authority, which authorises their competence to handle refrigerants safely in accordance with an industry recognised assessment specification. All training shall follow the ANNEX HH requirements of UL 60335-2-40 4th Edition.

Examples for such working procedures are:

- Breaking into the refrigerating circuit;
- Opening of sealed components;
- Opening of ventilated enclosures.

1. Transport of equipment containing flammable refrigerants

See transport regulations.

2. Marking of equipment using signs

See local regulations.

3. Disposal of equipment using flammable refrigerants

See national regulations.

4. Storage of equipment

The storage of the unit should be in accordance with the applicable regulations or instructions, whichever is more stringent.

5. Storage of packed (unsold) equipment

Storage package protection should be constructed such that mechanical damage to the equipment inside the package will not cause a leak of the refrigerant charge. The maximum number of pieces of equipment permitted to be stored together will be determined by local regulations.

6. Information on servicing

1) Checks to the area

Prior to beginning work on systems containing flammable refrigerants, safety checks are necessary to ensure that the risk of ignition is minimized. For repair to the refrigerating system, the following precautions shall be complied with prior to conducting work on the system.

2) Work procedure

Work shall be undertaken under a controlled procedure so as to minimize the risk of a flammable gas or vapor being present while the work is being performed.

3) General work area

All maintenance staff and others working in the local area shall be instructed on the nature of work being carried out. Work in confined spaces shall be avoided.

The area around the workspace shall be sectioned off. Ensure that the conditions within the area have been made safe by control of flammable material.

4) Checking for presence of refrigerant

The area shall be checked with an appropriate refrigerating detector prior to and during work, to ensure the technician is aware of potentially flammable atmospheres. Ensure that the leak detection equipment being used is suitable for use with flammable refrigerants. (i.e. non-sparking, adequately sealed or intrinsically safe)

5) Presence of fire extinguisher

If any hot work is to be conducted on the refrigeration equipment or any associated parts, appropriate fire extinguishing equipment shall be available to hand. Have a dry powder or CO₂ fire extinguisher adjacent to the charging area.

6) No ignition sources

No person carrying out work in relation to a refrigerating system which involves exposing any pipe work that contains or has contained flammable refrigerant shall use any sources of ignition in such a manner that it may lead to the risk of fire or explosion. All possible ignition sources, including smoking, should be kept sufficiently far away from the site of installation, repairing, removing and disposal, during which flammable refrigerant can possibly be released to the surrounding space. Prior to work taking place, the area around the equipment is to be surveyed to make sure that there are no flammable hazards or ignition risks. "No Smoking" signs shall be displayed.

7) Ventilated area

Ensure that the area is in the open or that it is adequately ventilated before breaking into the system or conducting any hot work. A degree of ventilation shall continue during the period that the work is carried out. The ventilation should safely disperse any released refrigerant and preferably expel it externally into the atmosphere.

8) Checks to the refrigerating equipment

Where electrical components are being changed, they shall be fit for the purpose and to the correct specifications. At all times the manufacturer's maintenance and service guidelines shall be followed. If in doubt consult the manufacturer's technical department for assistance. The following checks shall be applied to installations using flammable refrigerants: the actual refrigerant charge is in accordance with the room size within which the refrigerant containing parts are installed; the ventilation machinery and outlets are operating adequately and are not obstructed; if an indirect refrigerating circuit is being used, the secondary circuit shall be checked for the presence of refrigerant; marking to the equipment continues to be visible and legible.

Markings and signs that are illegible shall be corrected; and refrigerating pipe or components are installed in a position where they are unlikely to be exposed to any substance which may corrode refrigerant containing components, unless the components are constructed of materials which are inherently resistant to being corroded or are suitably protected against being so corroded.

9) Checks to electrical devices

Repair and maintenance to electrical components shall include initial safety checks and component inspection procedures. If a fault exists that could compromise safety, then no electrical supply shall be connected to the circuit until it is satisfactorily dealt with. If the fault cannot be corrected immediately but it is necessary to continue operation, an adequate temporary solution shall be used.

This shall be reported to the owner of the equipment so all parties are advised.

Initial safety checks shall include: That capacitors are discharged: this shall be done in a safe manner to avoid possibility of sparking; that there no live electrical components and wiring are exposed while charging, recovering or purging the system; that there is continuity of earth bonding.

7. Sealed electrical components shall be replaced.

8. Intrinsically safe components must be replaced.

9. Cabling

Check that cabling will not be subject to wear, corrosion, excessive pressure, vibration, sharp edges or any other adverse environmental effects. The check shall also take into account the effects of aging or continual vibration from sources such as compressors or fans.

10. Detection of flammable refrigerants

Under no circumstances shall potential sources of ignition be used in the searching for or detection of refrigerant leaks. A halide torch (or any other detector using a naked flame) shall not be used.

The following leak detection methods are deemed acceptable for systems containing flammable refrigerants. Electronic leak detectors shall be used to detect flammable refrigerants, but the sensitivity may not be adequate, or may need re-calibration. (Detection equipment shall be calibrated in a refrigerant-free area.) Ensure that the detector is not a potential source of ignition and is suitable for the refrigerant used. Leak detection equipment shall be set at a percentage of the LFL of the refrigerant and shall be calibrated to the refrigerant employed and the appropriate percentage of gas (25 % maximum) is confirmed. Leak detection fluids are suitable for use with most refrigerants but the use of detergents containing chlorine shall be avoided as the chlorine may react with the refrigerant and corrode the copper pipe-work. If a leak is suspected, all naked flames shall be removed/ extinguished. If a leakage of refrigerant is found which requires brazing, all of the refrigerant shall be recovered from the system, or isolated (by means of shut off valves) in a part of the system remote from the leak. Removal of refrigerant shall be according to Removal and evacuation.

11. Removal and evacuation

When breaking into the refrigerant circuit to make repairs—or for any other purpose - conventional procedures shall be used. However, for flammable refrigerants it is important that best practice be followed, since flammability is a consideration. The following procedure shall be adhered to:

- Safely remove refrigerant following local and national regulations;
- Evacuate;
- Purge the circuit with inert gas (optional for A2L);
- Evacuate (optional for A2L);
- Continuously flush or purge with inert gas when using flame to open circuit; and
- Open the circuit.

The refrigerant charge shall be recovered into the correct recovery cylinders if venting is not allowed by local and national codes. For units containing flammable refrigerants, the system shall be purged with oxygen-free nitrogen to render the appliance safe for flammable refrigerants. This process may need to be repeated several times. Do not use compressed air or oxygen to purge refrigerant systems. For units containing flammable refrigerants, refrigerants purging shall be achieved by breaking the vacuum in the system with oxygen-free nitrogen and continuing to fill until the working pressure is achieved, then venting to atmosphere, and finally pulling down to a vacuum (optional for A2L).

This process shall be repeated until no refrigerant is within the system (optional for A2L). When the final oxygen-free nitrogen charge is used. the system shall be vented down to atmospheric pressure to enable work to take place. The outlet for the vacuum pump shall not be close to any potential ignition sources, and ventilation shall be available.

12. Charging procedures

In addition to conventional charging procedures, the following requirements shall be followed.

Ensure that contamination of different refrigerants does not occur when using charging equipment.

Hoses or lines shall be as short as possible to minimize the amount of refrigerant contained in them.

Cylinders shall be kept in an appropriate position according to the instructions.

Ensure that the refrigeration system is earthed prior to charging the system with refrigerant. Label the system when charging is complete (if not already). Extreme care shall be taken not to overfill the refrigeration system. Prior to recharging the system it shall be pressure tested with OFN. The system shall be leak tested on completion of charging but prior to commissioning. A follow up leak test shall be carried out prior to leaving the site.

13. Decommissioning

Before carrying out this procedure, it is essential that the technician is completely familiar with the equipment and all its detail. It is recommended good practice that all refrigerants are recovered safely.

Prior to the task being carried out, an oil and refrigerant sample shall be taken in case analysis is required prior to re-use of reclaimed refrigerant. It is essential that electrical power is available before the task is commenced.

- a) Become familiar with the equipment and its operation.
- b) Isolate system electrically.
- c) Before attempting the procedure ensure that: Mechanical handling equipment is available, if required, for handling refrigerant cylinders; all personal protective equipment is available and being used correctly; the recovery process is supervised at all times by a competent person; recovery equipment and cylinders conform to the appropriate standards.
- d) Pump down refrigerant system, if possible.
- e) If a vacuum is not possible, make a manifold so that refrigerant can be removed from various parts of the system.
- f) Make sure that cylinder is situated on the scales before recovery takes place.
- g) Start the recovery machine and operate in accordance with manufacturer's instructions.
- h) Do not overfill cylinders. (No more than 80 % volume liquid charge).
 - i) Do not exceed the maximum working pressure of the cylinder, even temporarily.
 - j) When the cylinders have been filled correctly and the process completed, make sure that the cylinders and the equipment are removed from site promptly and all isolation valves on the equipment are closed off.
- k) Recovered refrigerant shall not be charged into another refrigeration system unless it has been cleaned and checked.

14. Labeling

Equipment shall be labeled stating that it has been de-commissioned and emptied of refrigerant. The label shall be dated and signed. Ensure that there are labels on the equipment stating the equipment contains flammable refrigerant.

15. Recovery

When removing refrigerant from a system, either for servicing or decommissioning, it is recommended good practice that all refrigerants are removed safely. When transferring refrigerant into cylinders, ensure that only appropriate refrigerant recovery cylinders are employed. Ensure that the correct number of cylinders for holding the total system charge is available. All cylinders to be used are designated for the recovered refrigerant and labelled for that refrigerant (i.e. special cylinders for the recovery of refrigerant). Cylinders shall be complete with pressure relief valve and associated shut-off valves in good working order. Empty recovery cylinders are evacuated and, if possible, cooled before recovery occurs. The recovery equipment shall be in good working order with a set of instructions concerning the equipment that is at hand and shall be suitable for the recovery of the flammable refrigerant. If in doubt, the manufacturer should be consulted. In addition, a set of calibrated weighing scales shall be available and in good working order. Hoses shall be complete with leak-free disconnect couplings and in good condition.

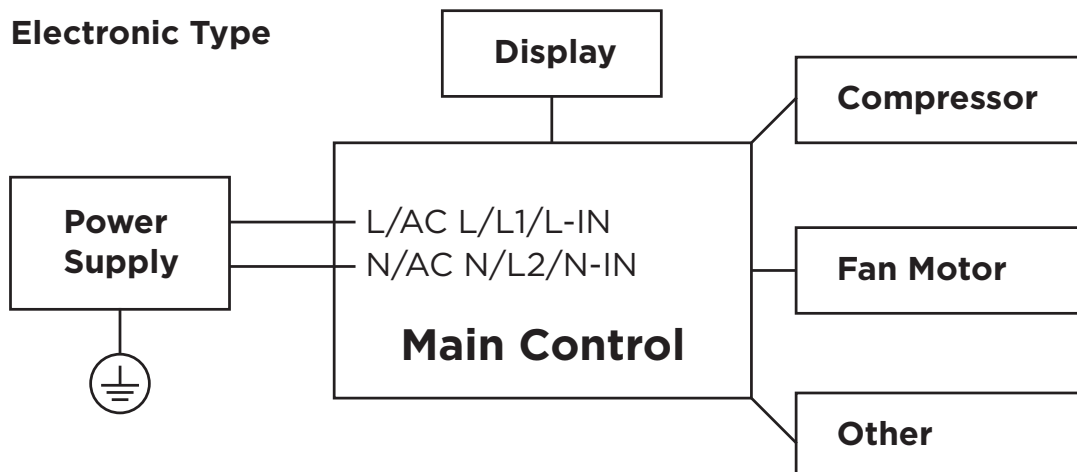
The recovered refrigerant shall be processed according to local legislation in the correct recovery cylinder, and the relevant waste transfer note arranged. Do not mix refrigerants in recovery units and especially not in cylinders. If compressors or compressor oils are to be removed, ensure that they have been evacuated to an acceptable level to make certain that flammable refrigerant does not remain within the lubricant. The compressor body shall not be heated by an open flame or other ignition sources to accelerate this process. When oil is drained from a system, it shall be carried out safely.

Electronic Work



WARNING:

BEFORE PERFORMING ANY ELECTRICAL OR WIRING WORK, TURN OFF THE MAIN POWER TO THE SYSTEM.



NOTICE:

Please strictly follow the wiring label attached to the machine for all wiring connections. The wiring diagram may vary for different unit. Please refer to the wiring diagram on the unit. The above wiring diagram is a simplified version for preliminary illustration purposes only.

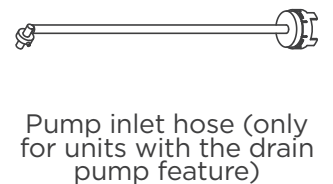
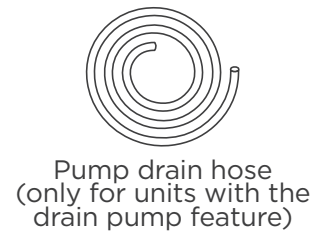
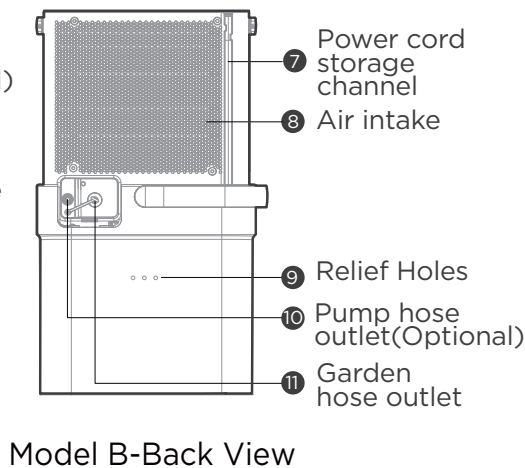
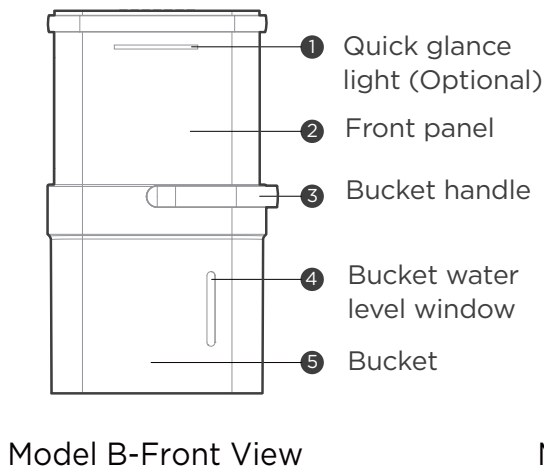
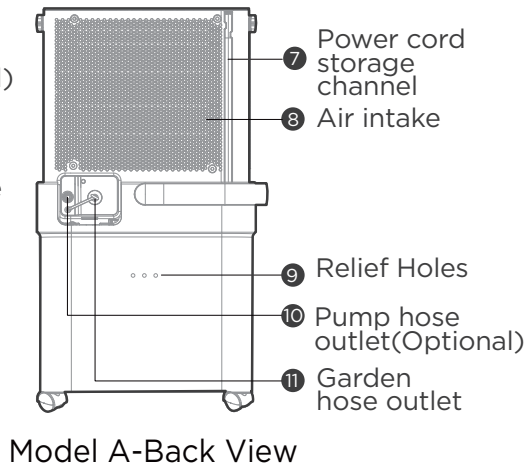
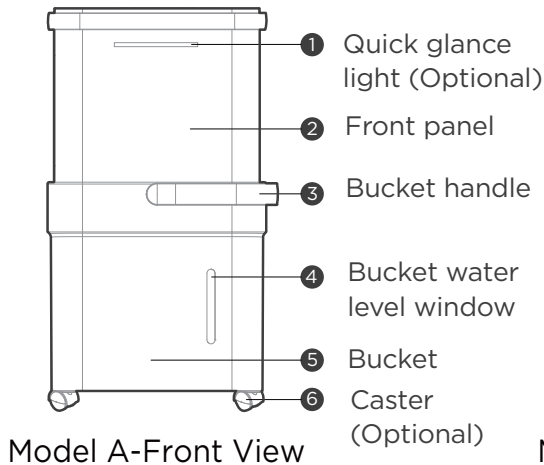
PRODUCT OVERVIEW

NOTE ON ILLUSTRATIONS:

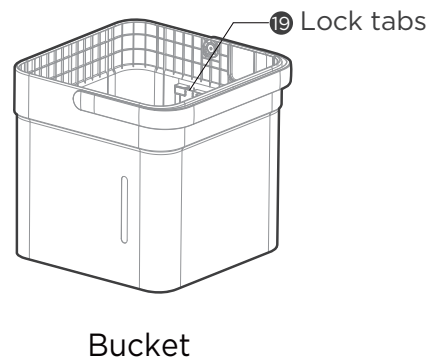
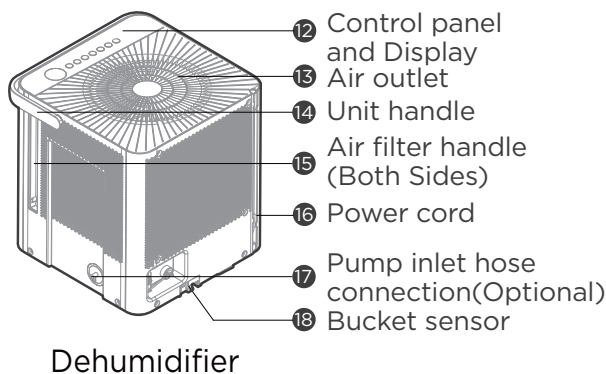
All the illustrations in the manual are for explanation purpose only. The unit may be slightly different. The actual shape shall prevail. The unit can be controlled by the unit control panel alone.

Product overview

Accessories



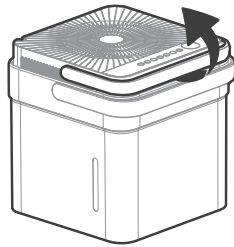
Parts overview



SET UP INSTRUCTIONS

Step 1:

Separate dehumidifier & bucket from the nested shipping/storage position. Remove all packaging materials from the unit.



Nested Shipping & Storage Position

Fig. 3a

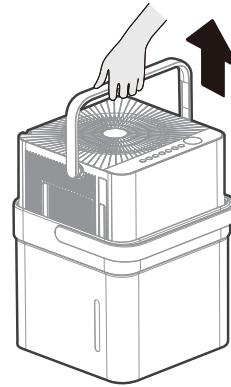
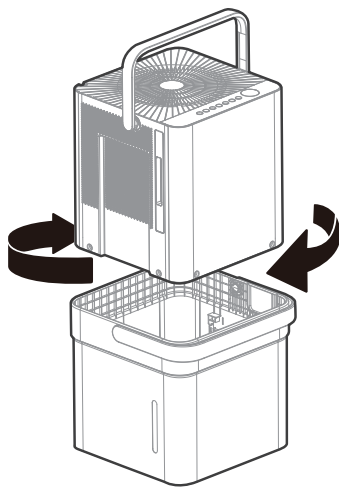


Fig. 3b

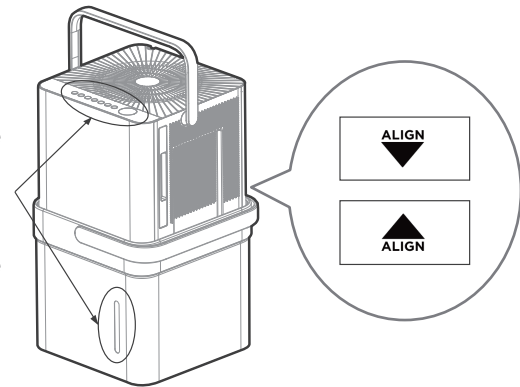
Step 2:

Rotate dehumidifier 90° and align the arrows on the two labels (one on the bucket and one on the dehumidifier) and carefully sit the dehumidifier down onto the bucket. The water level window in the bucket and the user interface buttons on the dehumidifier should be on the same side when properly stacked. Check to ensure the arrows on the unit and bucket are aligned as in Fig. 4c for proper operation.



Rotate dehumidifier 90°

User Interface Buttons and Water Level Window Aligned on the same side



Step 3:

Plug the unit in and press the power button and the unit is ready to run in normal (bucket) mode.

INSTALLATION INSTRUCTIONS

Positioning the Unit

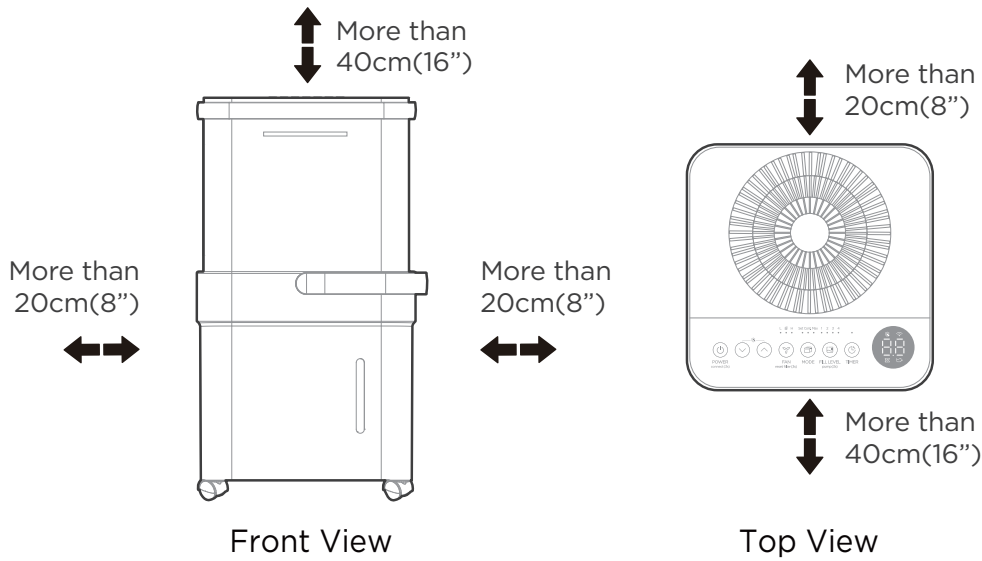


Fig. 5

The dehumidifier should be placed in the area where dehumidification is desired most. Adjacent rooms in which dehumidification is also desired should allow adequate airflow in and out of the space containing the dehumidifier.

- Do not use outdoors.
- This dehumidifier is intended for indoor residential applications only. This dehumidifier should not be used for commercial or industrial applications.
- Place the dehumidifier on a smooth, level floor strong enough to support the unit with a full bucket of water.
- Allow at least 8" of air space on all sides of the unit for air circulation (at least 16" for air outlet).
- Place the unit in an area where the temperature will not fall below 41°F (5°C). The coils can become covered with frost at lower temperatures, which may reduce performance.
- Place the unit away from any clothes dryer, heater or radiator.
- Close all doors, windows, and other openings to the outdoors in the room.

Optional Caster Installation

To install the casters:

1. Remove the Dehumidifier from the bucket.
2. Slide each caster into the slot on the bucket's bottom corner as shown below.
3. Place the retaining block into the slot to hold the caster in place.
4. Repeat this for each corner of the bucket until all 4 casters are installed.

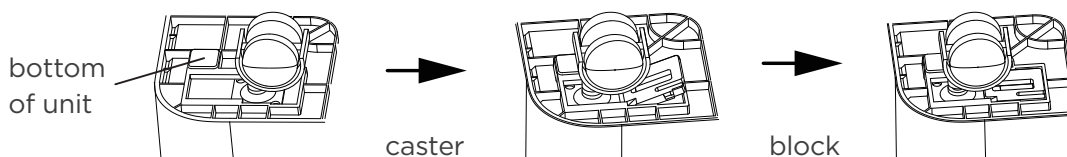


Fig. 6

Optional Caster Installation

To remove the casters:

1. Use a flathead screwdriver to actuate the tab on the retaining block.
2. Remove the retaining block and slide the casters out of the slot on the bucket.

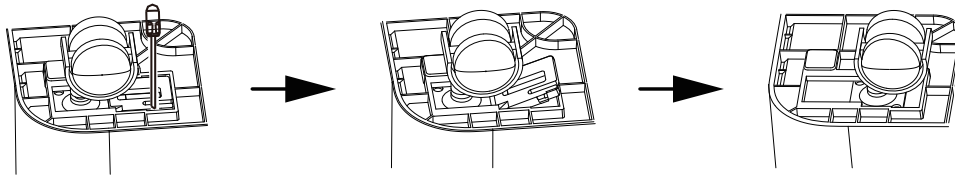


Fig. 7

NOTICE

With the casters attached, do not move the unit and bucket assembly while there is water in the bucket. Before rolling the bucket, remove the unit.

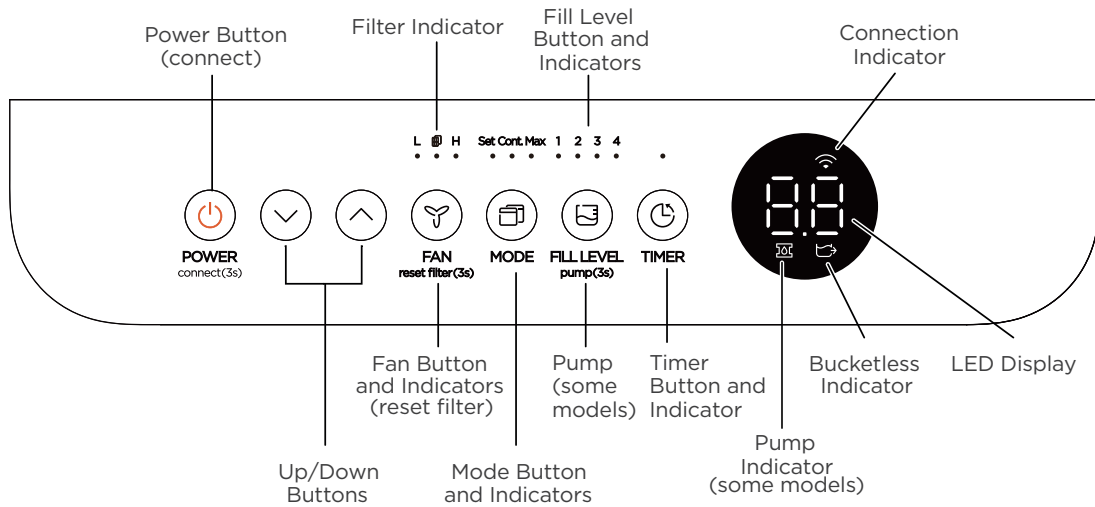
ADDITIONAL SETUP AND USAGE INFORMATION

Scan this QR code with a mobile device to see a playlist of helpful videos about the new Cube Dehumidifier.



OPERATION INSTRUCTIONS

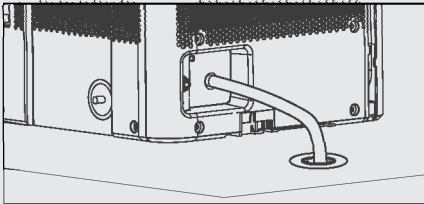
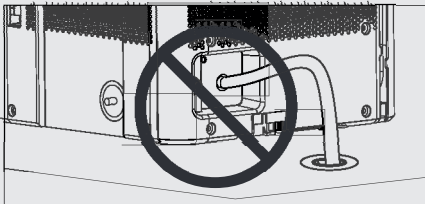
Control Panel



NOTICE:

The appearance of the control panel on the unit may vary slightly. Functions will be similar. When a button is pushed, the unit will make a beep sound to indicate that it is changing modes.

		Description
1	Power Button	Press this button to turn the unit On/Off.
2	Connect	Holding the power button for 3 seconds will place the unit in network connection mode to setup wireless control.
3	Up/Down Buttons	Press these buttons to adjust the setpoint or to set the time feature.
4	Pump (On some models)	Press and hold on the Fill level pump 3 seconds to initiate PUMP feature. Press and hold on the Fill level pump 3 seconds again to stop PUMP feature. Turn on the PUMP feature, the bucket capacity cannot be selected and the bucket capacity is at 4 step.
5	Fan Button	Press this button to change the fan speed between High and Low.
6	Filter Reset	To reset the change filter indicator, hold the fan button for 3 seconds. NOTE: It will enter the filter cleaning reminder when the unit runs for 250 hours.

		Description															
7	Mode Button	<p>Press this button to change the mode of the dehumidifier between Set mode, Max mode, and Continuous run mode.</p> <p>Set - The dehumidifier runs until the humidity setpoint has been reached. The dehumidifier will begin running once the humidity rises above the setpoint again.</p> <p>Max - The dehumidifier will run continuously on High Fan.</p> <p>Continuous - The dehumidifier will run continuously and the fan speed can be changed in this operating mode.</p> <p>NOTICE: While operating on continuous and Max modes, the humidity setpoint cannot be adjusted manually.</p>															
8	Fill Level Button	<p>Press this button to change the required water level before the bucket full switch activates. The options will fill approximately to the amounts shown in the table:</p> <table border="1" data-bbox="997 600 1476 996"> <thead> <tr> <th>Fill level</th> <th>Models MAD20S1QWT</th> <th>Models MAD35S1QWT-A MAD35S1QGR-A MAD50S1QWT-A MAD50PS1QWT-A MAD50PS1QGR MAD50PS1QWT-S MAD50PS1QWT-B</th> </tr> </thead> <tbody> <tr> <td>1</td> <td>/</td> <td>/</td> </tr> <tr> <td>2</td> <td>/</td> <td>/</td> </tr> <tr> <td>3</td> <td>/</td> <td>/</td> </tr> <tr> <td>4</td> <td>3 gallons (29.5 lb)</td> <td>4.23 gallons (40.5 lb)</td> </tr> </tbody> </table> <p>Choose the option which is most comfortable when emptying the bucket.</p> <p>When the bucket is full, the Display will show P2. The weights above are approximate weights of the bucket when filled with the corresponding volume of water.</p> <p>NOTICE: For accurate fill levels, ensure the bucket is empty before beginning operation.</p>	Fill level	Models MAD20S1QWT	Models MAD35S1QWT-A MAD35S1QGR-A MAD50S1QWT-A MAD50PS1QWT-A MAD50PS1QGR MAD50PS1QWT-S MAD50PS1QWT-B	1	/	/	2	/	/	3	/	/	4	3 gallons (29.5 lb)	4.23 gallons (40.5 lb)
Fill level	Models MAD20S1QWT	Models MAD35S1QWT-A MAD35S1QGR-A MAD50S1QWT-A MAD50PS1QWT-A MAD50PS1QGR MAD50PS1QWT-S MAD50PS1QWT-B															
1	/	/															
2	/	/															
3	/	/															
4	3 gallons (29.5 lb)	4.23 gallons (40.5 lb)															
9	Bucketless Mode	<p>Bucketless mode allows operation of the unit without the bucket in place. The included drain hose or a garden hose must be attached and sloped towards the drain for proper bucketless mode operation. Figure 8 shows a proper slope while figure 9 shows an improper slope. The drain must be located below the dehumidifier. For best drain performance, we recommend the end of the drain hose be 4 inches below the hose connection. To activate bucketless mode, the following steps must be completed within three minutes of plugging the dehumidifier in.</p> <ol style="list-style-type: none"> 1. Press and hold the up and fill level buttons for 3 seconds until the bucketless icon appears on the display. 2. Ensure the dehumidifier is on a flat level surface (free of debris). 3. Make sure the hose for Bucketless mode is sloped down to the drain (see fig. 8) and does not rise above the connection point (see fig. 9). To remove the unit from bucketless mode, place the unit back on the bucket. <p>Put on the rubber plug of the drain hole.</p> <div style="display: flex; justify-content: space-around;"> <div data-bbox="571 1686 997 1888">  </div> <div data-bbox="1023 1686 1449 1888">  </div> </div> <div style="display: flex; justify-content: space-around; margin-top: 10px;"> Fig.8 Fig.9 </div>															

		Description
10	TIMER Button	<p>Press this button to activate the Timer function. The Timer LED will illuminate indicating timer mode is being set. 0.0 will also appear on the display indicating the number of hours from now until the timer function will initiate.</p> <p>When the timer function initiates, the unit will change its power state. For more information see Timer function under other features on the next page.</p>
11	ERROR Codes	<p>EH60 Room temperature sensor error --Unplug the unit and plug it back in. If error repeats, call for service;</p> <p>EH61 Tube Temperature sensor of the evaporator error --Unplug the unit and plug it back in. If error repeats, call for service;</p> <p>EH0b Display board and master control board communication error. --Unplug the unit and plug it back in. If error repeats, call for service;</p> <p>Protection Code:</p> <p>P2 Bucket is full --Empty the bucket and replace it in the right position.</p> <p>Eb Bucket malfunction --Replace the bucket in the right position, the malfunction clear.</p> <p>NOTE: When one of the above malfunctions occurs, turn off the unit, and check for any obstructions. Restart the unit, if the malfunction is still present, turn off the unit and unplug the power cord. Contact the manufacturer or its service agents or a similar qualified person for service.</p>

Other Features

Auto Defrost

When frost builds up on the evaporator coils, the compressor will cycle off and Auto Defrost function will run automatically.

3 minutes compressor operation delay protection

After the unit has stopped, it can not be restarted in the first 3 minutes to protect compressor operation. The unit will restart automatically after 3 minutes.

Auto-Restart

If the unit stops unexpectedly due to power being cut, it will restart with the previous function setting (except bucketless mode) automatically when the power resumes.

Timer Function

- Activating the Timer function sets the duration until the unit changes its power state. This means, if the unit is on, activating the timer function will set the time until the unit will turn off.
- If the unit is off, activating the timer function will set the time until the unit will turn on.

- The time can be set after pressing the timer button then using the up or down buttons. These buttons will change the time in 0.5 hour increments up to 10 hours. After 10 hours, the time will change in 1 hour increments up to 24.

- If an error code appears during this time, the timer function will be cancelled.

NOTICE:

- When first using the dehumidifier, operate the unit continuously 24 hours. Make sure the plastic cover on the continuous drain hose outlet is installed properly so there are no leaks.
- This unit is designed to operate in a working environment between 5°C/41°F and 35°C/95°F.
- Make sure the water bucket is positioned correctly so that the unit can operate properly. When the water in the bucket reaches a certain level, please be careful while moving the unit to avoid spilling.

REMOVING COLLECTED WATER

There are three ways to remove collected water:

1. Emptying the bucket

- When the bucket reaches the set Fill Level, the unit's display will show P2 regardless of power status.
- Using proper lifting techniques, remove the unit from the bucket. Be aware, some residual water may spill from the bottom of the unit while not on the bucket.
- Using two hands, grab the bucket handle and carry it to the desired drainage point. Pouring from a front corner of the bucket (the bucket window is on the front side), empty the bucket. If pouring from the back of the bucket, some water may spill from the relief holes.
- Return the bucket to the desired operating location and place the unit back on the bucket. Be sure the unit is aligned properly.

NOTICE:

- When the unit is removed from the bucket, do not set the unit on any electrical components as the bottom may be wet.
- Do not set the unit on an uneven surface after removing it from the bucket.
- Ensure the unit is seated properly after returning it to the bucket.
- If the unit is removed from the bucket during operation, the display will show the error code Eb and cease operation until returned to the bucket or changed to bucketless mode.

2. Continuous draining

- Water can be automatically emptied from the unit into a sink, or other type of drain using the included hose.
- To install the hose, remove the drain cap from the rear of the unit and set aside. Insert the included drain hose, or attach a garden hose to the drain outlet. Place the other end of the hose on or near the drain so that water will drain properly.
- When removing the drain hose, some water may remain in the hose or the drain outlet. Be sure this water will not spill by drying the wet area before moving the unit.

NOTICE:

When using the continuous draining feature, ensure the unit is placed above the sink or drain being used. This will ensure proper draining.

1. Lift the unit off the bucket and place it on a level surface.

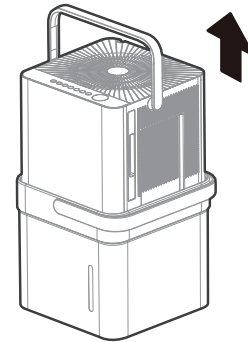


Fig. 10

2. Lift the bucket using 2 hands and carry to drainage point.

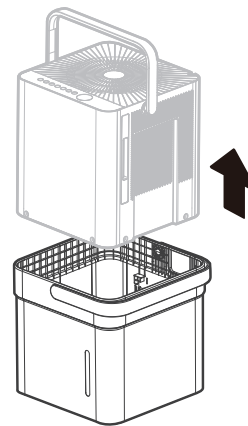


Fig. 11

3. Pour out all of the water.

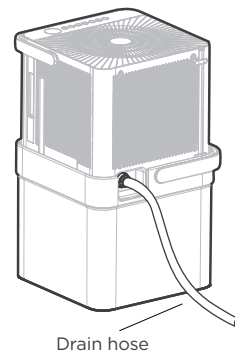
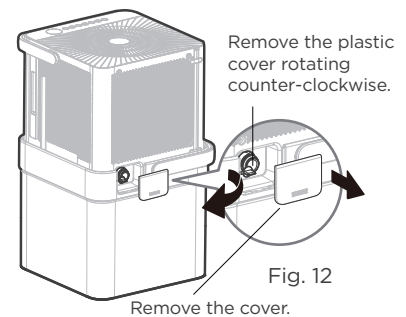


Fig. 13

3. Pump draining (some models)

- Water can be pumped from the unit into a sink or other type of drain by putting the unit in pump mode and attaching the included pump hose. Be sure to install both the inlet and outlet pump hoses as shown in the figures on the right.
- To install the pump hose, remove the plug from the pump drain hole and firmly attach the included pump hose as shown in Fig. 14.
- Holding the fill level button for 3 seconds will activate pump mode if the bucket is in place (pump model only).
- The pump inlet hose must be placed in the bucket in order to pump the water out of the bucket.

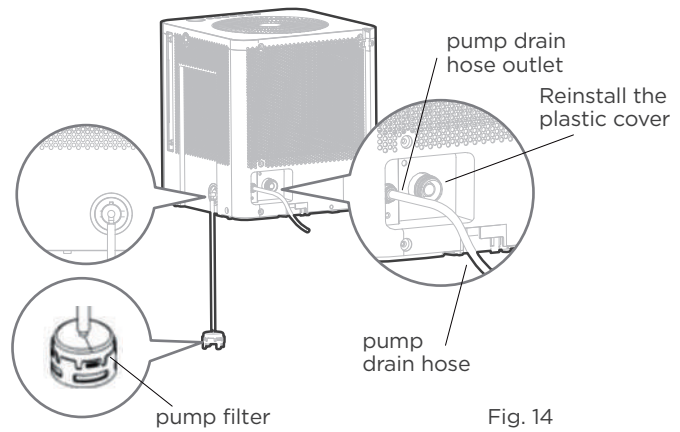


Fig. 14

NOTICE:

The pump may generate a loud noise for the first 3-5 minutes of operation. Max pump height: 14 ft. Make sure the hose is properly seated.

To remove the pump hose, push in on the collar around the hose and pull the hose out.

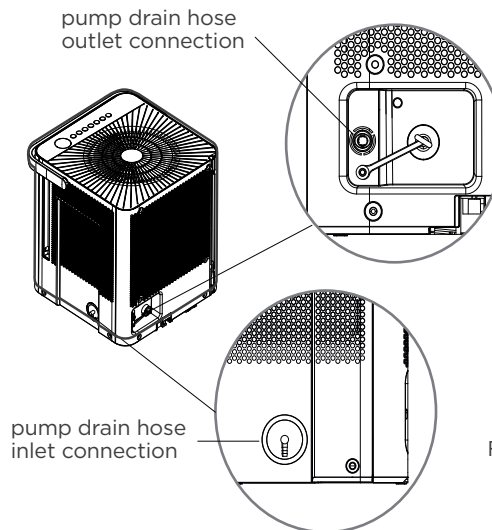


Fig. 15

- Make sure the hose is secure so there are no leaks.
- Direct the hose toward the drain, making sure that there are no kinks that will stop the water flowing.
- Place the end of the hose into the drain.
- Select the desired humidity setting and fan speed on the unit for pump draining to start.
- When operating in Bucketless mode, the pump cannot be used.

NOTICE

The pump operation light blinks when a failure occurs. Please turn off the unit and disconnect the power cord. Check the following items:

- Cleaning the pump filter:
 - Remove the bucket from the unit, rinse the filter of the pump with water or wipe it with a rag.
- Check if the drain hose is clean and free of debris.
- Empty the water from the bucket.
- Check the hose connection and the bucket for proper fitment. If the error persists, contact Customer Service.

NOTICE

If routing the drain hose outdoors, do not operate when the outdoor temperature is at or below 32°F (0°C) as the water will freeze, blocking the hose and causing the unit to stop.

Make sure to empty the bucket at least once a week when using the pump draining feature.

When the pump draining feature is not being used, remove the pump drain hose from the outlet.

CLEANING AND MAINTENANCE

Turn the dehumidifier off and disconnect the plug from the power source before cleaning.

Clean the Grille and Case

- Use water and a mild detergent. Do not use bleach or abrasives.
- Do not splash water directly onto the unit. Doing so may cause an electrical shock, cause the insulation to deteriorate, or cause the unit to rust.
- The air intake and outlet may get dirty during operation, use a vacuum cleaner or brush to clean.

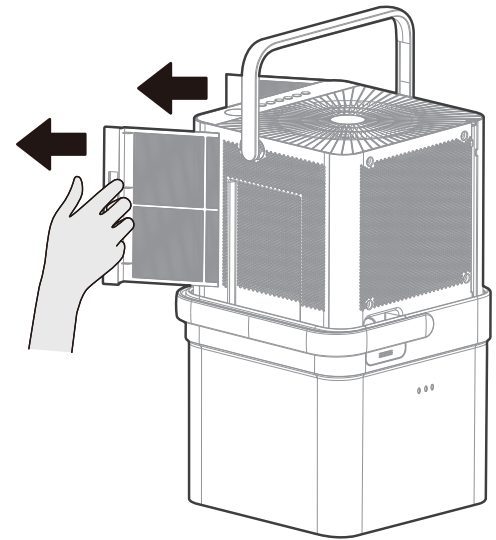
Clean the bucket

- Every few weeks, clean the bucket thoroughly. Partially fill the bucket with clean water and mild detergent. Swish it around in the bucket, empty and rinse.

Note: Do not use a dishwasher to clean the bucket. After clean, the bucket must be in place and securely seated for the dehumidifier to operate.

Clean the air filter

- To remove the filters, pull each filter outwards.
- Wash the filters with clean water then dry.
- Re-install each filter.
- Reset the filter indicator light following operating instructions.



Filters on the left and right sides



CAUTION

To avoid loss of performance or damage to the unit, **DO NOT** operate the dehumidifier without the filters.

When not using the unit for long time periods

- Before storing the unit and bucket, let it rest for one full day so that the system can dry out naturally.
- Clean the unit, water bucket and air filters.
- Ensure the power cord is in the power cord storage channel.
- Nest the unit inside the bucket.
- Cover the unit with a plastic bag.
- Store the unit upright in a dry, well-ventilated area.

NESTING AND STORING INSTRUCTIONS

Step 1:

Power off and unplug the unit. Then lift the dehumidifier off the bucket.

Step 2:

Empty all water from bucket.

⚠ WARNING

Make sure the bucket is empty before nesting the dehumidifier to avoid risk of electrical shock.

Step 3:

Make sure to press the tabs on the inside bucket feature in so that the unit can nest correctly. See Fig. 18.

Step 4:

Rotate dehumidifier 90° in either direction and insert into bucket to nest.

NOTICE

Make sure the power cord is properly tucked into the power cord storage channel on the back of the dehumidifier to prevent damage.

Step 5:

The dehumidifier is nested and ready to store.

⚠ CAUTION

When carrying the nested unit, be sure and use the bucket handle to ensure both the dehumidifier and bucket are safely carried.

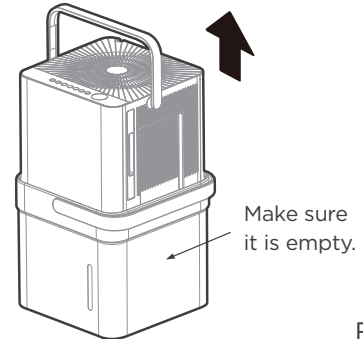


Fig. 17

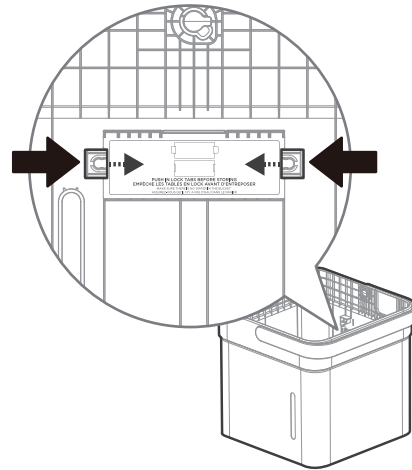


Fig. 18

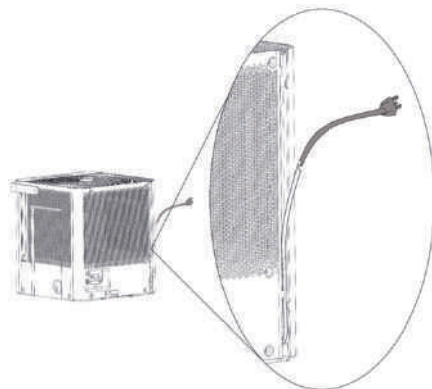


Fig. 19b

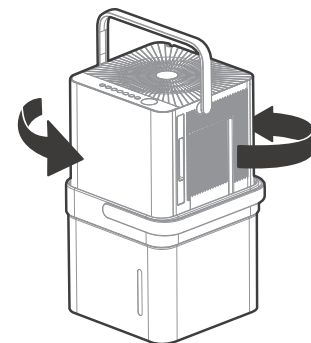


Fig. 19a

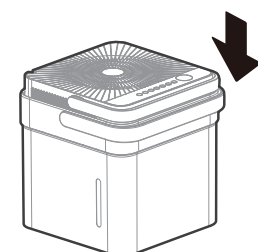


Fig. 20

TROUBLESHOOTING TIPS

Before calling for service, review this list as it may save time and money. This list includes common occurrences that are not the result of defective workmanship or materials in this appliance.

Problem	What to check
Unit does not start	<p>Make sure the dehumidifiers plug is connected firmly into the wall outlet.</p> <p>Check the house fuse/circuit breaker box.</p> <p>Dehumidifier has reached its preset level or bucket is full.</p> <p>Water bucket is not in the proper position.</p>
Dehumidifier does not dry the air as it should	<p>Not enough time to remove the moisture.</p> <p>Make sure there are no curtains, blinds or furniture blocking the front or back of the dehumidifier.</p> <p>The humidity control may not be set low enough.</p> <p>Check that all doors, windows and other openings are securely closed.</p> <p>Room temperature is too low, below 5°C (41°F).</p> <p>There is a water vapor source in the room.</p>
The unit makes a loud noise when operating	<p>Air filter may be dirty. Clean filter. Refer to Care and Cleaning section.</p> <p>The unit is tilted instead of upright as it should be.</p> <p>The floor surface is not level.</p>
Frost appears on the coils	<p>This is normal. The dehumidifier has Auto defrost feature.</p>
Water on floor	<p>Hose to connector or hose connection may be loose.</p> <p>Intended to use the bucket to collect water, but the back drain plug is removed.</p>
EH60, EH61, P2, EC, Eb and EH0b appear in the display	<p>These are error codes and protection code. Check Operating Instructions.</p>
The pump operation on light blinks at 1Hz	<p>Clean the pump filter.</p> <p>Check the pump hose is not blocked or leaking.</p> <p>Empty the water bucket.</p>
When operating in bucketless mode, water collects around the bottom of the unit	<p>Check to ensure the unit is level, and there is no debris on the surface.</p> <p>Check the drain hose connection and ensure it is properly seated in the outlet.</p>

APP INSTRUCTIONS

DECLARATION OF CONFORMITY

We hereby declare that this Dehumidifier is in compliance with the essential requirements and other relevant provisions of Directive 1999/5/EC.

SPECIFICATION OF WIRELESS MODULE

Wireless Module Model: US-SK105	Operation Temperature: 0°C~45°C/32°F~113°F
Antenna Type: Printed PCB Antenna	Operation Humidity: 10%-85%
Frequency Band: 2400-2483.5MHz	Power Input: DC 5V/300mA
	Maximum TX Power: <20dBm

PRECAUTIONS

1. Supports operating systems: iOS 10+ or Android 5+.
2. In the event of an OS update, a delay may occur before the corresponding software update is available, potentially affecting compatibility until a new version is released. Device-specific or network issues may also impact the unit's functionality, and Midea disclaims responsibility for any resulting problems.
3. This Smart Dehumidifier only supports WPA-PSK/WPA2-PSK (recommended) encryption.
4. To ensure proper scanning of the QR code, the smartphone must have at least a 5-megapixel camera.
5. Due to unstable network connectivity, requests may time out. If this happens, rerun the network configuration.
6. Due to unstable network connectivity, commands may time out. If this happens, the smartphone app and the actual product may display conflicting information. The information displayed on the actual product is always the most accurate. Refresh the app to re-sync.

NOTICE

Midea will not be responsible for any problems that could be caused by incompatibility or network issues, wireless router and mobile phone.

SYSTEM OVERVIEW

Devices required to use the Smart Dehumidifier:

1. Smart Phone with compatible iOS or Android system.
2. Wireless Router
3. Smart Dehumidifier

DOWNLOAD AND INSTALL THE APP



Scan to download app.

- App can also be downloaded from Google Play or App Store. Search for "SmartHome".

NOTICE

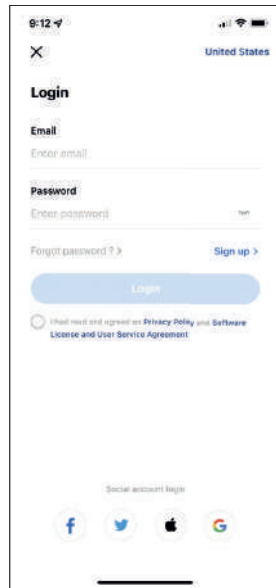
All the images in this manual are for reference only, the product and app may look slightly different. The actual product and app instructions have to be considered.

CREATE THE ACCOUNT

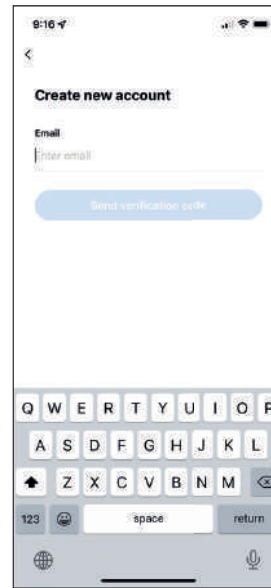
- Make sure the smartphone is connected to the correct wireless router and the wireless router has a working 2.4 GHz internet connection.
- It is recommended to activate the account immediately to be able to recover the password by email.



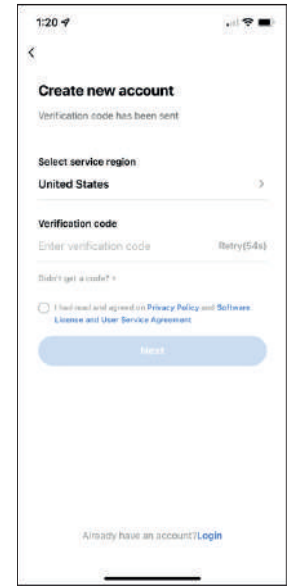
1. Press Login.



2. Select Sign Up.



3. Enter email address.



4. Enter the verification code sent to the email address.

NOTICE

- Make sure the smartphone is able to connect to the wireless network which will be used.
- Make sure also that the device is not connected to other networks in range.

ADDITIONAL APP AND SMART HOME FUNCTIONS

For additional instructions regarding the features of the app and Smart Home skill capabilities, scan the QR code below.



- **Declaration of conformity**

FCC ID:2ADQOMDNA21

IC:12575A-MDNA21

This device complies with Part 15 of the FCC Rules and it contains licence exempt transmitter(s)/receiver(s) that comply with Innovation, Science and Economic Development Canada's licence-exempt RSS(s).

Operation is subject to the following two conditions:

- (1) This device may not cause harmful interference.
- (2) This device must accept any interference, including interference that may cause undesired operation of the device.

Only operate the device in accordance with the instructions supplied.

Changes or modifications to this unit not expressly approved by the party responsible for compliance could void the user's authority to operate the equipment.

This device complies with radiation exposure limits set forth for an uncontrolled environment. In order to avoid the possibility of exceeding the radio frequency exposure limits, human proximity to the antenna shall not be less than 20cm (8 inches) during normal operation.

Note: This equipment has been tested and found to comply with the limits for a Class B digital device, pursuant to Part 15 of the FCC rules. These limits are designed to provide reasonable protection against harmful interference in a residential installation. This equipment generates, uses and can radiate radio frequency energy and, if not installed and used in accordance with the instructions, may cause harmful interference to radio communications. However there is no guarantee that interference will not occur in a particular installation. If this equipment does cause harmful interference to radio or television reception, which can be determined by turning the equipment off and on, the user is encouraged to try to correct the interference by one or more of the following measures:

- Reorient or relocate the receiving antenna
- Increase the separation between the equipment and receiver
- Connect the equipment into an outlet on a circuit different from that to which the receiver is connected

Company will not be liable for any issues and problems caused by Internet, Wireless Router and Smart Devices. Please contact the original provider to get further help.

NOTICE:

All the illustrations in the manual are for explanation purpose only. The unit may be slightly different. The actual shape shall prevail.

WARRANTY

Dehumidifier Limited Warranty

Your product is protected by this Limited Warranty:

Warranty service must be obtained from Midea Consumer Services or an authorized Midea servicer.

Warranty

- One year limited warranty from the date of delivery or the purchase date, whichever is later. The date of delivery establishes the warranty period, should service be required.

Midea, through its authorized servicers will:

- Pay all costs for repairing or replacing parts of this appliance which prove to be defective in materials or workmanship.

Consumer will be responsible for:

- Diagnostics, removal, transportation and reinstallation cost required because of service.
- Costs of service calls that are a result of items listed under NORMAL RESPONSABILITIES OF THE CONSUMER**

Midea replacement parts shall be used and will be warranted only for the original warranty.

NORMAL RESPONSABILITIES OF THE CONSUMER**

This warranty applies only to products in ordinary household use, and the consumer is responsible for the items listed below:

1. Proper use of the appliance in accordance with instructions provided with the product.
2. Routine maintenance and cleaning necessary to keep the good working condition.
3. Proper installation by an authorized service professional in accordance with instructions provided with the appliance and in accordance with all local plumbing, electrical and/or gas codes.
4. Proper connection to a grounded power supply of sufficient voltage, replacement of blown fuses, repair of loosen connections or defects in house wiring.
5. Expenses for making the appliance accessible for servicing.
6. Damages to finish after installation.

EXCLUSIONS

This warranty does not cover the following:

- 1) Failure caused by damage to the unit while in your possession (other than damage caused by defect or malfunction), by its improper installation, or by unreasonable use of the unit, including without limitation, failure to provide reasonable and necessary maintenance or to follow the written installation and Operating Instructions.
- 2) Damages caused by services performed by persons other than authorized Midea customer service; or external causes such as abuse, misuse, inadequate power supply or acts of God.
- 3) If the unit is put to commercial, business, rental, or other use or application other than for consumer use, we make no warranties, express or implied, including but not limited to, any implied warranty of merchantability or fitness for use or purpose.
- 4) Products without original serial numbers or products that have serial numbers which have been altered or cannot be readily determined.

NOTE: Some states do not allow the exclusions or limitation of incidental or consequential damages. So this limitation or exclusion may not apply to you.

IF YOU NEED SERVICE

Keep your bill of sale, delivery slip, or some other appropriate payment Record.

The date on the bill establishes the warranty period, should service be required.


If service is performed, it's your best interest to obtain and keep all receipts.

This written warranty gives you specific legal rights. You may also have other rights that vary from state to state.

Service under this warranty must be obtained by following these steps, in order:

- 1) Contact Midea Consumer Services or an authorized Midea services at 1 866 646 4332.
- 2) If there is a question as to where to obtain service, contact our consumer relations Department.

TRADEMARKS, COPYRIGHTS AND LEGAL STATEMENT

 Midea logo, word marks, trade name, trade dress and all versions thereof are valuable assets of Midea Group and/or its affiliates (“Midea”), to which Midea owns trademarks, copyrights and other intellectual property rights, and all goodwill derived from using any part of an Midea trademark. Use of Midea trademark for commercial purposes without the prior written consent of Midea may constitute trademark infringement or unfair competition in violation of relevant laws.

This manual is created by Midea and Midea reserves all copyrights thereof. No entity or individual may use, duplicate, modify, distribute in whole or in part this manual, or bundle or sell with other products without the prior written consent of Midea.

All the described functions and instructions were up to date at the time of printing this manual. However, the actual product may vary due to improved functions and designs.

DISPOSAL AND RECYCLING

Important instructions for environment(European Disposal Guidelines)

Compliance with the WEEE Directive and Disposing of the Waster Product:
This product complies with EU WEEE Directive. This product bears a classification symbol for waster electrical and electronic equipment (WEEE).

This symbol indicates that this product shall not be disposed with other household wastes at the end of its service life. Used device must be returned to official collection point for recycling of electrical and electronic devices. To find these collection systems, please contact to the local authorities or retailer where the product was purchased. Each household performs important role in recovering and recycling of old appliance. Appropriate disposal of used appliance helps prevent potential negative consequences for the environment and human health.



DATA PROTECTION NOTICE

For the provision of the services agreed with the customer, we agree to comply without restriction with all stipulations of applicable data protection law, in line with agreed countries within which services to the customer will be delivered, as well as, where applicable, the EU General Data Protection Regulation (GDPR).

Generally, our data processing is to fulfill our obligation under contract with you and for product safety reasons, to safeguard your rights in connection with warranty and product registration questions. In some cases, but only if appropriate data protection is ensured, personal data might be transferred to recipients located outside of the European Economic Area.

Further information are provided on request. You can contact our Data Protection Officer via **MideaDPO@midea.com**. To exercise your rights such as right to object your personal data being processed for direct marketing purposes, please contact us via **MideaDPO@midea.com**. To find further information, please follow the QR Code below.

The design and specifications are subject to change without prior notice for product improvement. Consult with the sales agency or manufacturer for details. Any updates to the manual will be uploaded to the service website, please check for the latest version.



make yourself at home



www.midea.com

© Midea 2025 all rights reserved

CD001UI-DM(NEW)A

16122000A82673

20251107