



Cooker Hood

USER MANUAL

MVU30W2AST

Warning notices: Before using this product, please read this manual carefully and keep it for future reference. The design and specifications are subject to change without prior notice for product improvement. Consult with your dealer or manufacturer for details. The diagram above is just for reference. Please take the appearance of the actual product as the standard.

THANK YOU LETTER

Thank you for choosing Midea! Before using your new Midea product, please read this manual thoroughly to ensure that you know how to operate the features and functions that your new appliance offers in a safe way.

CONTENTS







THANK YOU LETTER	01
SAFETY INSTRUCTIONS	02
SPECIFICATIONS	06
PRODUCT OVERVIEW	07
PRODUCT INSTALLATION	09
OPERATION INSTRUCTIONS	19
CLEANING AND MAINTENANCE	20
TROUBLE SHOOTING	22
TRADEMARKS, COPYRIGHTS AND LEGAL STATEMENT	23
DISPOSAL AND RECYCLING	23
DATA PROTECTION NOTICE	24

SAFETY INSTRUCTIONS

Intended Use

The following safety guidelines are intended to prevent unforeseen risks or damage from unsafe or incorrect operation of the appliance. Please check the packaging and appliance on arrival to make sure everything is intact to ensure safe operation. If you find any damage, please contact the retailer or dealer. Please note modifications or alterations to the appliance are not allowed for your safety concern. Unintended use may cause hazards and loss of warranty claims.


Explanation of Symbols

	Danger This symbol indicates that there are dangers to the life and health of persons due to extremely flammable gas.
	Warning of electrical voltage This symbol indicates that there is a danger to life and health of persons due to voltage.
	Warning The signal word indicates a hazard with a medium level of risk which, if not avoided, may result in death or serious injury.
	Caution The signal word indicates a hazard with a low degree of risk which, if not avoided, may result in minor or moderate injury.
	Attention The signal word indicates important information (e.g. damage to property), but not danger.
	Observe instructions This symbol indicates that a service technician should only operate and maintain this appliance in accordance with the operating instructions.

Read these operating instructions carefully and attentively before using/commissioning the unit and keep them in the immediate vicinity of the installation site or unit for later use!

Important Safety Instructions

Save these instructions for future references. Approved for residential appliances. For residential use only. Do not attempt to install or operate your appliance until you have read the safety precautions in this manual. Safety items throughout this manual are labeled with a WARNING or CAUTION based on the risk type.

 This is the safety alert symbol. It is used to alert you to potential personal injury hazards. Obey all safety messages that follow this symbol to avoid possible injury or death.

WARNING

This symbol alerts you to situations that may cause serious body harm, death or property damage.

CAUTION

CAUTION indicates a potentially hazardous situation which, if not avoided, may result in minor or moderate injury.

IMPORTANT

IMPORTANT indicates installation, operation, maintenance or valuable information that is not hazard related.

CAUTION

FOR GENERAL VENTILATING USE ONLY. DO NOT USE TO EXHAUST HAZARDOUS OR EXPLOSIVE MATERIALS OR VAPORS.

WARNING

TO REDUCE THE RISK OF FIRE, USE ONLY METAL DUCT WORK.

Install this hood in accordance with all requirements specified.

WARNING

TO REDUCE THE RISK OF FIRE, ELECTRIC SHOCK, OR INJURY TO PERSONS, OBSERVE THE FOLLOWING:

- A. Use this unit only in the manner intended by the manufacturer. If you have questions, contact the manufacturer.
- B. Before servicing or cleaning the unit, switch power off at service panel and lock service panel disconnecting means to prevent power from being switched on accidentally. When the service disconnecting means cannot be locked, securely fasten a prominent warning device, such as a tag, to the service panel.
- C. Installation Work and Electrical Wiring Must Be Done By Qualified Person(s) In Accordance With all Applicable Codes & Standards, Including Fire-rated Construction.
- D. Sufficient air is needed for proper combustion and exhausting of gases through the flue (Chimney) of fuel burning equipment to prevent back-drafting. Follow the heating equipment manufacturers guideline and safety standards such as those published by the National Fire Protection Association (NFPA), the American Society for Heating, Refrigeration and Air Conditioning Engineers (ASHRAE), and the local code authorities.
- E. When cutting or drilling into wall or ceiling, do not damage electrical wiring and other hidden utilities.
- F. Ducted systems must always be vented to the outdoors.

CAUTION

To reduce risk of fire and to properly exhaust air, do not vent exhaust air into spaces within walls, ceilings, attics, crawl spaces, or garages.

Important Safety Instructions

WARNING

To Reduce The Risk Of Fire Or Electric Shock, Do Not Use This Hood With Any External Solid State Speed Control Device.

WARNING

TO REDUCE THE RISK OF A RANGE TOP GREASE FIRE.

- a) Never leave surface units unattended at high settings. Boilovers cause smoking and greasy spillovers that may ignite. Heat oils slowly on low or medium settings.
- b) Always turn hood ON when cooking at high heat or when flambeing food (I.e. Crepes Suzette, Cherries Jubilee, Peppercorn Beef Flambe). Clean ventilating fans frequently.
- c) Grease should not be allowed to accumulate on fan or filter.
- d) Use proper pan size. Always use cookware appropriate for the size of the surface element.

WARNING

NOT SUITBLE FOR USE WITH SOLID-STATE SPEED CONTROLS.

AVERTISSEMENT

NE CONVIENT PAS À DES RÉGULATEURS DE VITE SSE À SEMI-CONDUCTEURS.

WARNING

Use only with rangehood cord-connection kits that have been investigated and found acceptable for use with this model rangehood.

WARNING

TO REDUCE THE RISK OF INJURY TO PERSONS, IN THE EVENT OF A RANGE TOP GREASE FIRE, OBSERVE THE FOLLOWING:

- a) **SMOTHER FLAMES** with a close-fitting lid, cookie sheet, or other metal tray, then turn off the gas burner or the electric element. **BE CAREFUL TO PREVENT BURNS.** If the flames do not go out immediately, **EVACUATE AND CALL THE FIRE DEPARTMENT.**
- b) **NEVER PICK UP A FLAMING PAN-** you may be burned.
- c) **DO NOT USE WATER**, including wet dishcloths or towels - a violent steam explosion will result.
- d) Use an extinguisher **ONLY** if:
 - 1) You know you have a class ABC extinguisher, and you already know how to operate it.
 - 2) The fire is small and contained in the area where it started.
 - 3) The fire department is being called.
 - 4) You can fight the fire with your back to an exit.

OPERATION

Always leave safety grills and filters in place. Without these components, operating blowers could catch onto hair, fingers and loose clothing. The manufacturer declines all responsibility in the event of failure to observe the instructions given here for installation, maintenance and suitable use of the product. The manufacturer further declines all responsibility for injury due to negligence and the warranty of the unit automatically expires due to improper maintenance.

READ AND SAVE THESE INSTRUCTIONS

Important Safety Instructions

GROUNDING INSTRUCTIONS

This appliance must be grounded. In the event of an electrical short circuit, grounding reduces the risk of electric shock by providing an escape wire for the electric current. This appliance is equipped with a cord having a grounding wire with a grounding plug. The plug must be plugged into an outlet that is properly installed and grounded.

WARNING-Improper grounding can result in a risk of electric shock.

Consult a qualified electrician if the grounding instructions are not completely understood, or if doubt exists as to whether the appliance is properly grounded.

Do not use an extension cord. If the power supply cord is too short, have a qualified electrician install an outlet near the appliance.

List of Materials



CAUTION

Remove carton carefully. Wear gloves to protect against sharp edges.

LIST OF MATERIALS

Parts included in your hood

- 3 1/4" x 10" Rectangular vent damper
- 2 - Grease filters
- Use and Care / Installation Manual
- Mounting screw kit
 - 2 - 0.49 * 5.0 cm mounting screws
 - 4 - 0.50 * 1.9 cm mounting screws
 - 6 - 0.40 * 0.8 cm rectangular vent damper screws
 - 2 - plastic wall anchors

Tools/Materials required

- Wire nuts
- Metal duct length to suit installation
- Vent clamps/duct tape as required
- UL listed or CSA approved " strain relief
- Remove the protective film covering the product before putting into operation.
- 5/64" drill bit for cabinet pilot holes
- Pencil
- Wire cutter / stripper
- Measuring tape
- Caulking gun and weatherproof caulking compound
- Flat-blade screwdriver
- Phillips screwdriver
- Saber or keyhole saw
- Safety glasses
- Gloves

For cabinets with recessed bottoms

- Two - 2" (5.1 cm) wide filler strips. Length and thickness determined by recess dimensions.
- Four flat head wood screws or machine screws with washers and nuts (to attach filler strips).

ELECTRICAL REQUIREMENTS

Observe all governing codes and ordinances.

Ensure that the electrical installation is adequate and in conformance with National Electrical Code, ANSI/NFPA 70 (latest edition), or CSA Standards C22.1-94, Canadian Electrical Code, Part 1 and C22.2 No. 0-M91 (latest edition) and all local codes and ordinances.

If codes permit and a separate ground wire is used, it is recommended that a qualified electrician determine that the ground path is adequate.

A copy of the above code standards can be obtained from:

National Fire Protection Association

One Batterymarch Park

Quincy, MA 02269

CSA International

8501 East Pleasant Valley Road

Cleveland, OH 44131-5575

List of Materials

- A 120 volt, 60 Hz., AC only, 15-amp, fused electrical circuit is required.
- If the house has aluminum wiring, follow the procedure below:
 1. Connect a section of solid copper wire to the pigtail leads.
 2. Connect the aluminum wiring to the added section of copper wire using special connectors and/or tools designed and UL listed for joining copper to aluminum.

Follow the electrical connector manufacturer's recommended procedure. Aluminum/copper connection must conform with local codes and industry accepted wiring practices.

- Wire sizes and connections must conform with the rating of the appliance as specified on the model/serial rating plate.

The model/serial plate is located on the left side of the range hood.
- Wire sizes must conform to the requirements of the National Electrical Code, ANSI/NFPA 70 (latest edition), or CSA Standards C22.1-94, Canadian Electrical Code, Part 1 and C22.2 No. 0-M91 (latest edition) and all local codes and ordinances.

SPECIFICATIONS

Product Model	MVU30W2AST
Voltage	120V-/60Hz
Rated Power	70 W
Lighting Power	E26 LED MAX 9W
Motor Power	70 W
Air flow	200CFM
Noise	≤72 dB(A)

PRODUCT OVERVIEW

Important

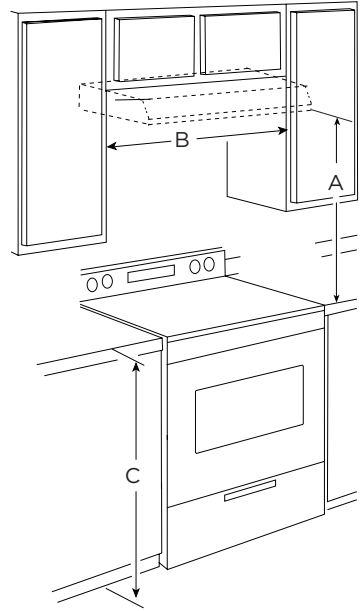
Observe all governing codes and ordinances.

- It is the installer's responsibility to comply with installation clearances.
- Range hood location should be away from strong draft areas, such as windows, doors and strong heating vents.
- Cabinet opening dimensions that are shown must be used. Given dimensions provide minimum clearance.
Grounded electrical outlet is required. See "Electrical Requirements" section.
- All openings in ceiling and wall where canopy hood will be installed must be sealed.

For Mobile Home Installations

The installation of this range hood must conform to the Manufactured Home Construction Safety Standards, Title 24 CFR, Part 328 (formerly the Federal Standard for Mobile Home Construction and Safety, Title 24, HUD, Part 280) or when such standard is not applicable, the standard for Manufactured Home Installation 1982 (Manufactured Home Sites, Communities and Setups) ANSI A225.1/NFPA 501A, or latest edition, or with local codes.

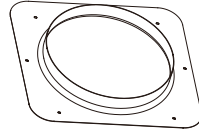
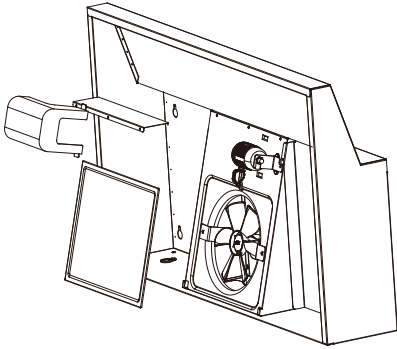
Cabinet Dimensions



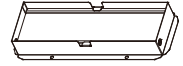
- A. 24" (61.0 cm) min. for electric cooking surfaces;
27" (68.6 cm) min. for gas cooking surfaces
30" (76.2 cm) suggested max.
- B. 30" (76.2 cm) min. cabinet opening width for 30" (76.2 cm) models and 36" (91.4 cm) min. cabinet width for 36" (91.4 cm) models.
- C. 36" (91.4 cm) base cabinet height

Product dimensions

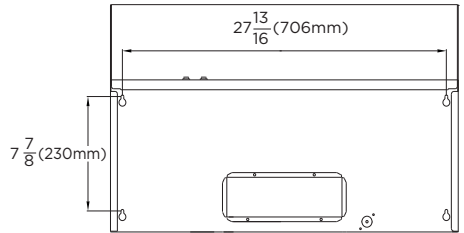
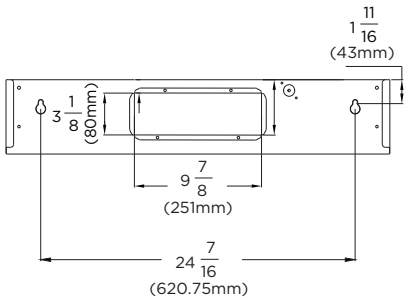
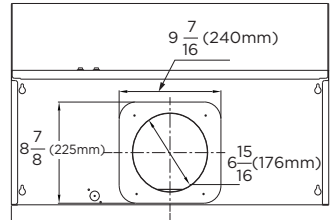
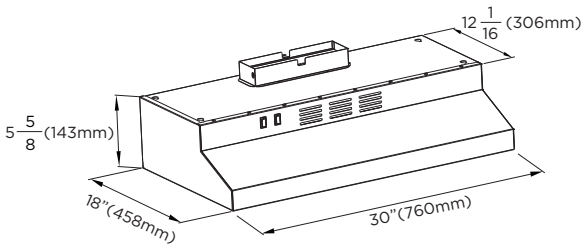
unit: inch



(200CFM Ducted version)



(100CFM Ducted version)



PRODUCT INSTALLATION

Venting Requirements

- Do not terminate the vent system into an attic or other enclosed area.
- Do not use a 4" (102 mm) laundry-type wall cap. Use metal vent only. Rigid metal vent is recommended. Plastic or metal foil vent is not recommended.
- The length of vent system and number of elbows should be kept to a minimum to provide efficient performance.

For the most efficient and quiet operation:

- Use no more than three 90° elbows.
- Make sure there is a minimum of 24" (610mm) of straight vent between the elbows if more than 1 elbow is used.
- Do not install 2 elbows together.
- Use clamps or duct tape to seal all joints in the vent system.
- The vent system at exit must have a cold air damper. Use caulking to seal exterior wall or roof opening around the cap.
- Best performances are reached with straight piping, without elbows and using smooth pipe.

Cold Weather Installations

- An additional back draft damper should be installed to minimize backward cold air flow and a thermal break should be installed to minimize conduction of outside temperatures as part of the vent system. The damper should be on the cold air side of the thermal break.
- The break should be as close as possible to where the vent system enters the heated portion of the house.

Makeup Air

- Local building codes may require the use of makeup air systems when using ventilation systems greater than specified CFM of air movement. The specified CFM varies from locale to locale. Consult your HVAC professional for specific requirements in your area.

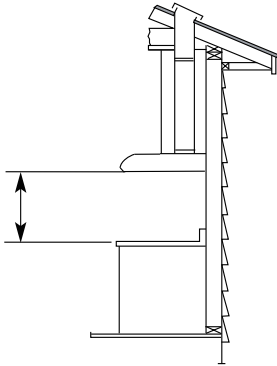
Venting Methods

- Vent system can terminate either through the roof or wall. Use 3 1/4" x 10" (83 x 254 mm) rectangular with a maximum vent length of 35 ft (10.7 m) for vent system.

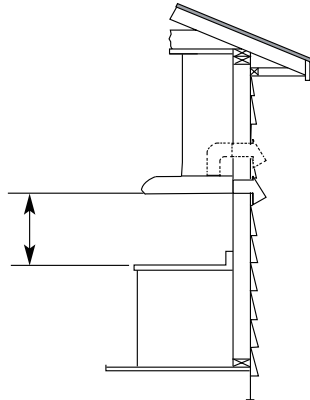
Note

Flexible vent is not recommended. Flexible vent creates both back pressure and air turbulence that greatly reduce performance.

Roof Venting



Wall Venting






Calculating Vent System Length

To calculate the length of the system you need, add the equivalent feet (meters) for each vent piece used in the system.

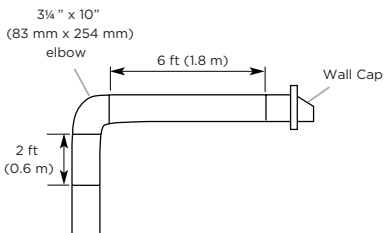
These directions are for rectangular vent installation only. If you choose to use round rigid metal venting the minimum diameter to use is 8".

3/4" x 10" (83mm x 254mm) rectangular Vent System

Vent Piece

3/4" x 10" (83 mm x 254 mm) 90° elbow	5.0 ft (1.5 m)	
3/4" x 10" (83 mm x 254 mm) flat elbow	12.0 ft (3.7 m)	
3/4" x 10" (83 mm x 254 mm) wall elbow	0.0 ft (0.0 m)	

Example Vent System



Maximum Recommended Length	= 35 ft (10.7 m)
1 - 90° elbow	= 5.0 ft (1.5 m)
8 ft (2.4 m) straight	= 8.0 ft (2.4 m)
1 - wall cap	= 0.0 ft (0.0 m)
Length of 3/4" x 10" (83 mm x 254 mm) system	= 13.0 ft (3.9 m)

Prepare The Location

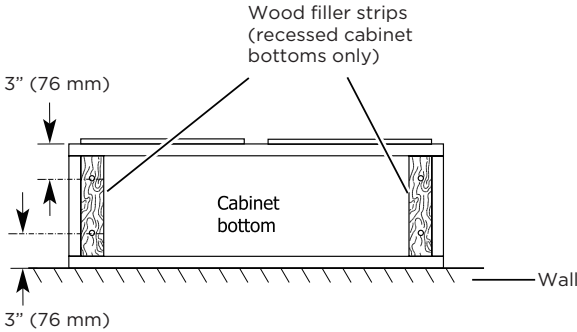
Note

Before making cutouts, make sure there is proper clearance within the ceiling, wall or cabinet.

Fitting material is provided to secure the hood to most types of walls and cabinets.

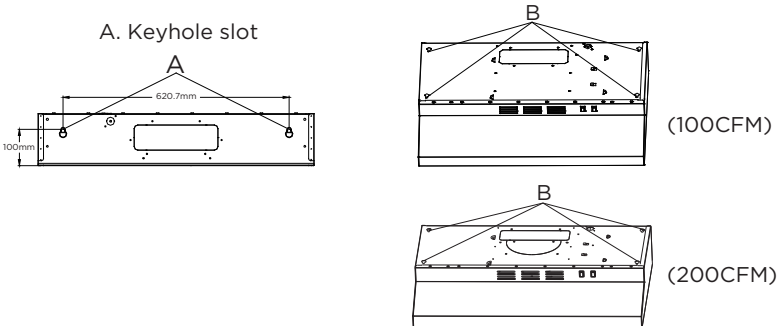
However, a qualified technician must verify suitability of the materials in accordance with the type of wall and cabinet.

1. Disconnect power.
2. Select a flat surface for assembling the range hood. Place covering over that surface.
3. Lift the range hood and set it upside down onto covered surface.
4. If cabinet has recessed bottom, add "two - 2" (51 mm) wide filler strips. Length and thickness determined by recess dimensions. Four flat head wood screws or machine screws with washers and nuts to attach filler strips in locations shown.

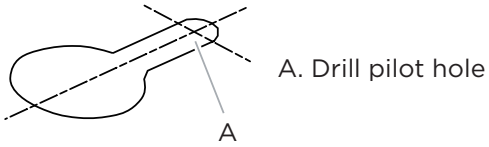


5. Lift the range hood up under cabinet and determine final location (centering beneath cabinet). Mark on the underside of cabinet the location of the 4 keyhole mounting slots on the range hood (See slot dimensions on page 6). Mark rear mounting screw hole locations.

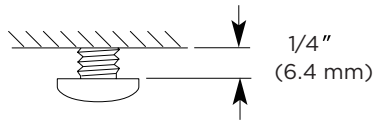
Set range hood aside on a covered surface.



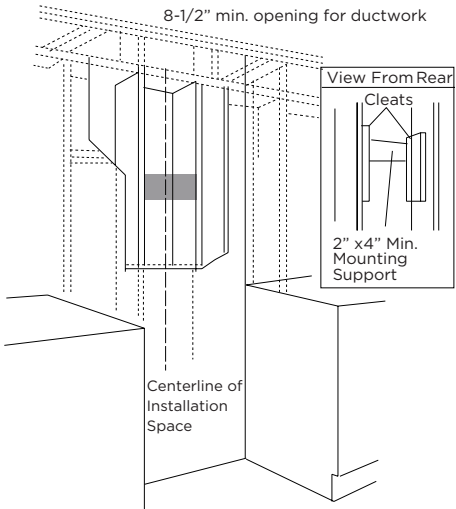
6. Use 5/64" drill bit and drill 4 pilot holes as shown for top range hood support.
NOTE: Make the drill holes on the thin area of the slot.



7. Install the 4 - 5 mm x 19 mm mounting screws in pilot holes. Leave about 1/4" (6.4 mm) space between screw heads and cabinet to slide range hood into place.

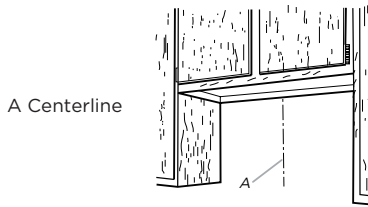


8. Install framing for hood rear support
If drywall is present, using the rear mounting screw hole locations marked in the previous step cut away enough drywall to expose 2 vertical studs at the rear mounting screw holes locations. Install horizontal support at least 2" X 4" between two wall studs at the rear mounting screw holes location. The horizontal support must be flush with the room side of the studs. Use cleats behind both sides of the support to secure to wall studs. Reinstall drywall and refinish. IMPORTANT - Framing must be capable of supporting 100 lbs.



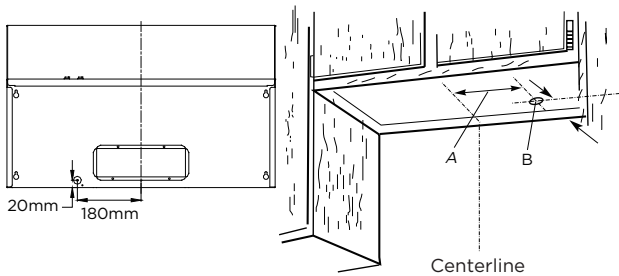
Determine Wiring Hole Location

1. Determine and clearly mark a vertical centerline on the wall and cabinet bottom.



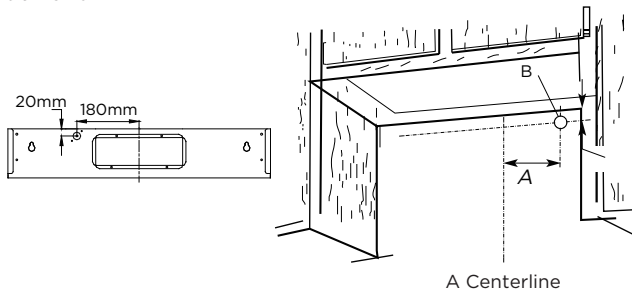
To wire through top:

2. Mark a line distance (A) from the right of the centerline on the underside of the cabinet. Mark the point on this line that is from back wall. Drill a $1\frac{1}{4}$ " (32 mm) diameter hole (B) through the cabinet at this point.
3. The actual size of the product is below, and the user is installed according to the actual demand.



To wire through wall:

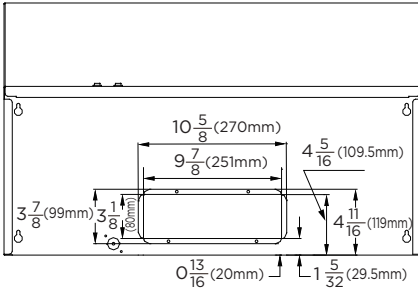
1. Mark a line distance (A) from the right of the centerline on the underside of the wall. Mark the point on this line that is from the underside of the cabinet. Drill a $1\frac{1}{4}$ " (32 mm) diameter hole (B) through the rear wall at this point.
2. The actual size of the product is below, and the user is installed according to the actual demand.



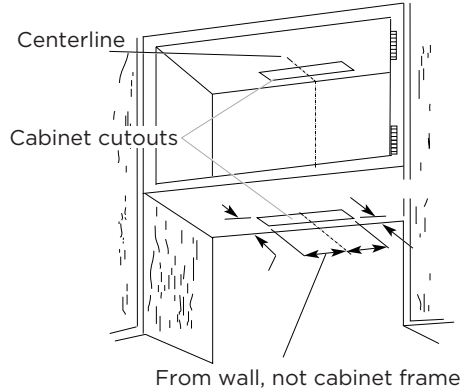
Roof Venting

cutout on the underside of cabinet top and bottom:

1. Mark lines from the back wall on the centerline of the underside of cabinet.
2. Mark lines to the right and left of the centerline on the underside of cabinet.
3. Use saber or keyhole saw to cut a rectangular opening for vent.
4. Repeat steps 1-3 for the underside of the top of the cabinet.
5. The actual size of the product is below, and the user is installed according to the actual demand.



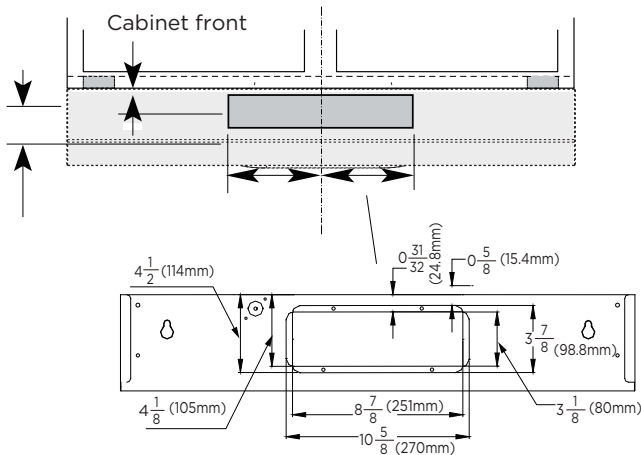
(Rectangle Ducted version)



Wall Venting

To make a 4 " x 10 1/4" (108 mm x 267 mm) rectangle in the wall:

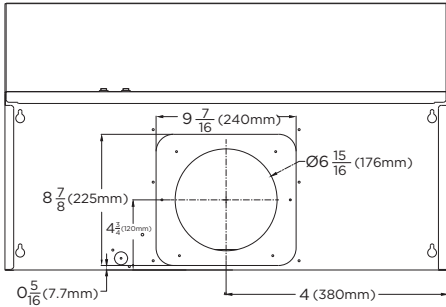
1. Mark lines from the back wall on the centerline of the underside of cabinet.
2. Mark lines to the right and left of the centerline on the underside of cabinet.
3. Use saber or keyhole saw to cut a rectangular opening for vent.
4. Repeat steps 1-3 for the underside of the top of the cabinet.
5. The actual size of the product is below, and the user is installed according to the actual demand.



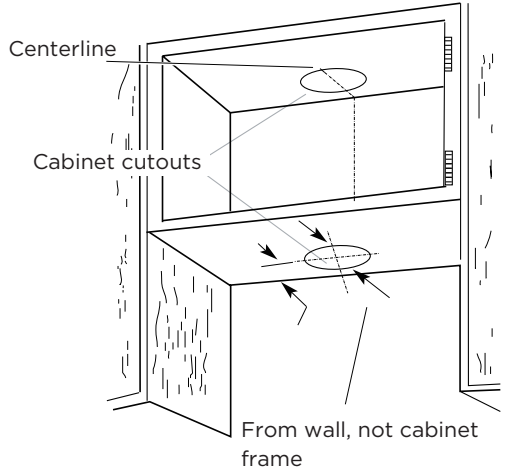
Roof Venting (7" Circular interface)

To make 7 1/2"(190mm) rectangular cutout on the underside of cabinet top and bottom:

1. Mark lines from the back wall on the centerline of the underside of cabinet.
2. Mark lines to the right and left of the centerline on the underside of cabinet. Use
3. saber or keyhole saw to cut a rectangular opening for vent.
4. Repeat steps 1-3 for the underside of the top of the cabinet.
5. The actual size of the product is below, and the user is installed according to the actual demand.



(Circular Ducted version)

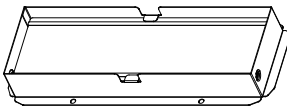


100CFM Ducted version

Install Vent System

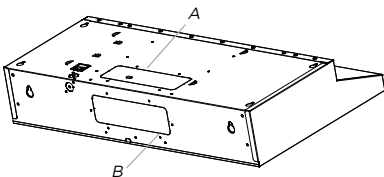
1. Install vent through the vent opening in upper cabinet.
2. Install range hood (Ducted version).

Detach the 3 1/4" x 10" (8.3 x 25.4 cm) rectangular vent damper from the package.



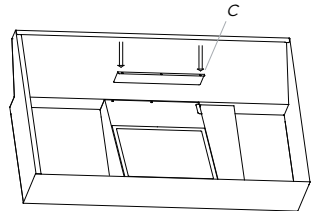
A. 3 1/4" x 10" (8.3 x 25.4 cm) rectangular vent damper

For roof installations, remove the top rectangular vent knockout A. For wall installations, remove the rear rectangular vent knockout B.



A. Top rectangular knockout
B. Rear rectangular knockout

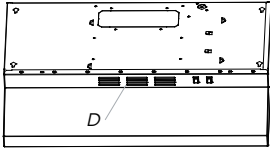
when use A or B air outlet, need insert C baffle



C. Long baffle

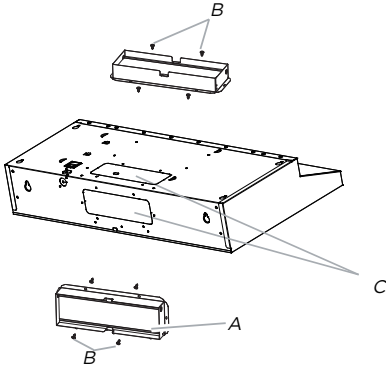
3. Internal recycle air outlet

Use D air outlet, retention A and B materials.



Vent Damper Installation

Install 3/4" x 10" (8.3 x 25.4 cm) vent damper. Attach to range hood using the indicated screws provided in hardware kit.



Install the 3/4" x 10" (8.3 x 25.4 cm) rectangular vent transition.
A. 3/4" x 10" (8.3 x 25.4 cm)

If a vent damper is installed with a wall cap with damper, check that they do not interfere with each other. Remove the vent damper flap if they interfere.

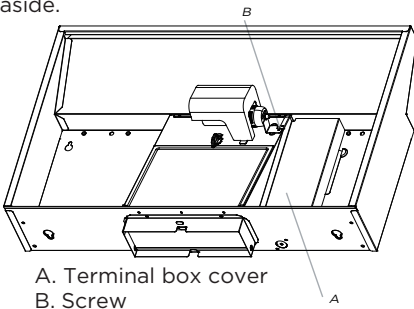
Power Supply Cable Installation

1. For direct wire installations, run the home power supply cable according to the National Electric Code or CSA standards and local codes and ordinances.

Note

Do not reconnect power until the installation is complete.
Before starting the installation, remove the vent grill and grease filters.

2. Remove the screws from the terminal box cover. Remove terminal box cover and set aside.



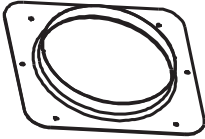
A. Terminal box cover
B. Screw

200CFM Ducted version

Install Vent System

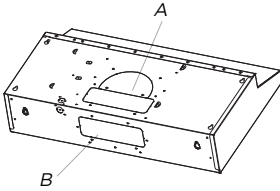
1. Install vent through the vent opening in upper cabinet.
2. INSTALL RANGE HOOD (Ducted version).

Detach the $\varnothing 7.08''$ ($\varnothing 18\text{cm}$) rectangular vent damper from the package.

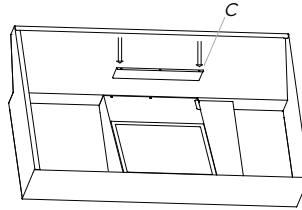


A. $\varnothing 7.08''$ ($\varnothing 18\text{cm}$) rectangular vent damper

For roof installations, remove the top rectangular vent knockout A. For wall installations, remove the rear rectangular vent knockout B.

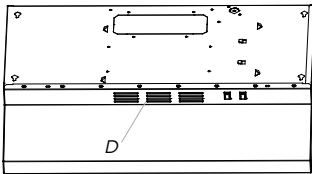


A. Top rectangular knockout
B. Rear rectangular knockout



C. Long baffle

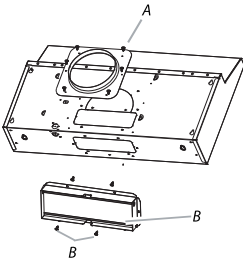
3. Internal recycle air outlet.



Use D air outlet, retention A and B materials

Vent Damper Installation

Install $3\frac{1}{4}'' \times 10''$ ($8.3 \times 25.4\text{ cm}$) vent damper. Attach to range hood using the indicated screws provided in hardware kit.



Install the $3\frac{1}{4}'' \times 10''$ ($8.3 \times 25.4\text{ cm}$) rectangular vent transition.
A. $3\frac{1}{4}'' \times 10''$ ($8.3 \times 25.4\text{ cm}$)

If a vent damper is installed with a wall cap with damper, check that they do not interfere with each other. Remove the vent damper flap if they interfere.

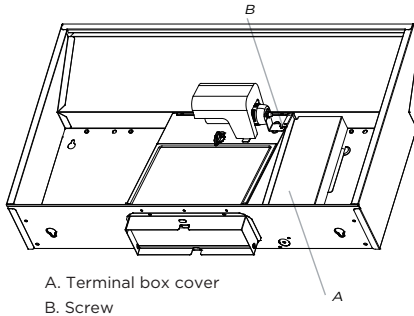
Power Supply Cable Installation

1. For direct wire installations, run the home power supply cable according to the National Electric Code or CSA standards and local codes and ordinances.

Note

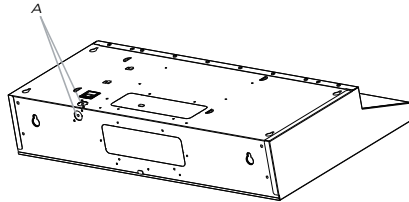
Do not reconnect power until the installation is complete.
Before starting the installation, remove the vent grill and grease filters.

2. Remove the screws from the terminal box cover. Remove terminal box cover and set aside.



3. Remove the power supply knockout from the top or rear of the vent hood (depending on the incoming location of your home power supply cable) and install a UL listed or CSA approved 1/2" strain relief.

A. Power supply knockout



4. Lift the hood into final position
Feed enough electrical wire through the 1/2" UL listed or CSA approved strain relief to make connections in the terminal box. Tighten the strain relief screws.
5. Position the range hood so that the large end of the keyhole slots are over the mounting screws. Then push the hood toward the wall so that the screws are in the neck of the slots. Tighten the mounting screws, making sure the screws are in the narrow neck of slots.
6. Add the 2 rear 0.49 * 5.0 cm rear mounting screws into the narrow neck of the rear keyhole slots. These should screw into the horizontal support that was placed between the two wall studs in Connect ventwork to hood.
7. Seal joints with vent clamps or duct tape to make secure and airtight.
8. Check that back draft dampers work properly.

Make Electrical Connection

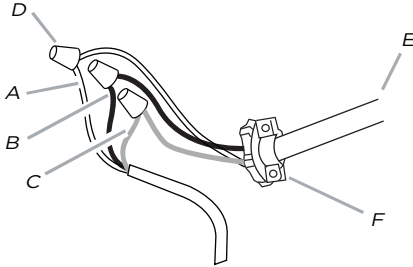
Warning

Electrical Shock Hazard

Disconnect power before servicing.

Replace all parts and panels before operating. Failure to do so can result in death or electrical shock.

1. Disconnect power.



- A. White wires
- B. Black wires
- C. Green wire
- D. UL listed wire connector
- E. Home power supply cable
- F. UL listed or CSA approved
 $\frac{1}{2}$ " strain relief

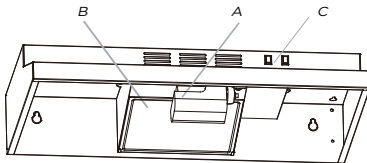
2. Use UL listed wire connectors and connect white wires (A) together.

3. Use UL listed wire connectors and connect black wires (B) together.

OPERATION INSTRUCTIONS

Range Hood Use

The range hood is designed to remove smoke and cook-ing vapors from the cooktop area. For best results, start the hood before cooking and allow it to operate several minutes after the cooking is complete to clear all smoke f rom the kitchen.



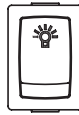
- A. LED lights
- B. Grease filter
- C. Control knobs

Range Hood Controls

The hood controls are located at the bottom front section of the unit.

Operating the Light

Push lamp Switch



Lamp Switch



Motor Switch

Operating the Fan

Push Motor Switch

- :Motor Low Position
- = :Motor High Position
- :Motor Off

CLEANING AND MAINTENANCE

Cleaning



Warning

To Reduce The Risk Of Fire Or Electrical shock disconnect from power supply before cleaning.

Important

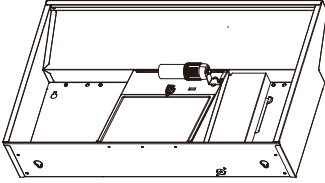
- Clean the hood and grease filters frequently according to the following instructions. Replace grease filter before operating hood.
- Exterior Surfaces
Do not use soap-filled scouring pads, abrasive cleaners, Cooktop Polishing Creme, steel wool, gritty washcloths or paper towels.
To avoid damage to the stainless steel, do not use cleaners that contain chlorine.

Cleaning Method:

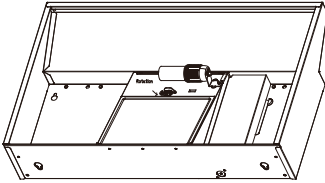
Clean the stainless with warm soapy water using a clean sponge or cloth. Rinse with clean water and dry with a soft clean cloth. DO NOT USE any cleaners like Stainless Steel cleaners or any other types of cleaners containing any abrasive, chlorides, chlorines or ammonia. It is recommended to use mild dish soap and water or a 50/50 solution of water and vinegar.

To clean or replace grease filter:

1. Take down lamp-chimney, take down screw.



2. According to "↘" direction loosen Plastic seat.



3. To clean grease filter, soak the filters in hot water using a mild detergent. Rinse well and shake to dry.

Note

Do not use ammonia. The aluminum on the grease filter will corrode and darken. The grease filter is dishwasher safe. To avoid grease filter damage while cleaning, place filter into the dishwasher top rack for cleaning.

Warning

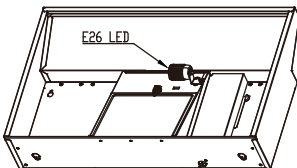
Electrical Shock Hazard

Disconnect power before servicing.

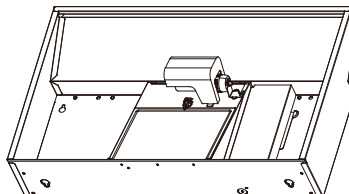
Replace all parts and panels before operating. Failure to do so can result in death or electrical shock.

Assembly LED lights(Max 9W)

1. Use E26 LED, Spin to tighten




2. Place the lampshade in the hole



TROUBLESHOOTING

Problem	Possible reason	Solution
After installation, the unit doesn't work.	<ul style="list-style-type: none"> The power line and the cable connector is not connected properly. 	Check the power connections.
	<ul style="list-style-type: none"> The wires from the switches are disconnected or loose. 	Make sure the wires on the switches are connected properly.
Light works, but motor is not turning.	<ul style="list-style-type: none"> The motor is defective, possibly seized. 	Change the motor.
	<ul style="list-style-type: none"> The motor wire is not connected. 	Make sure the motor wire is plugged into the terminal box connector.
The unit is vibrating.	<ul style="list-style-type: none"> The motor is not secure in place. 	Tighten the motor in place.
	<ul style="list-style-type: none"> Damaged blower wheel. 	Change the blower.
	<ul style="list-style-type: none"> The hood is not secured in place. 	Check the installation of the hood.
The motor is working, but the lights are not.	<ul style="list-style-type: none"> Defective lamp. 	Change the lamp.
	<ul style="list-style-type: none"> The lamp is loose. 	Make sure the lamp is seated properly.
	<ul style="list-style-type: none"> The wires on the light switch are loose. 	Make sure the wires on light switch are connected properly.
The hood is not venting out properly.	<ul style="list-style-type: none"> The hood might be hanging too high from the cook top. 	Check installation instructions.
	<ul style="list-style-type: none"> The wind from the opened windows or opened doors in the surrounding area are affecting the ventilation of the hood. 	Close all the windows and doors to eliminate the outside wind flow.
	<ul style="list-style-type: none"> Blockage in the duct opening or duct work. 	Remove all the blocking from the duct work or duct opening.
	<ul style="list-style-type: none"> The direction of duct opening is against the wind. 	Adjust the duct opening direction.
	<ul style="list-style-type: none"> Using the wrong size of ducting. 	Change the ducting to correct size.
Vent grill or grease filter is vibrating.	<ul style="list-style-type: none"> Vent grill or grease filter is loose. 	Make sure vent grill or grease filter is installed correctly.

TRADEMARKS, COPYRIGHTS AND LEGAL STATEMENT

 Midea logo, word marks, trade name, trade dress and all versions thereof are valuable assets of Midea Group and/or its affiliates (“Midea”), to which Midea owns trademarks, copyrights and other intellectual property rights, and all goodwill derived from using any part of an Midea trademark. Use of Midea trademark for commercial purposes without the prior written consent of Midea may constitute trademark infringement or unfair competition in violation of relevant laws.

This manual is created by Midea and Midea reserves all copyrights thereof. No entity or individual may use, duplicate, modify, distribute in whole or in part this manual, or bundle or sell with other products without the prior written consent of Midea.

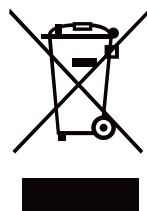
All the described functions and instructions were up to date at the time of printing this manual. However, the actual product may vary due to improved functions and designs.

DISPOSAL AND RECYCLING

Important instructions for environment

Compliance with the WEEE Directive and Disposing of the Waster Product:
This product complies with EU WEEE Directive (2012/19/EU). This product bears a classification symbol for waster electrical and electronic equipment (WEEE).

This symbol indicates that this product shall not be disposed with other household wastes at the end of its service life. Used device must be returned to official collection point for recycling of electrical electronic devices. To find these collection systems please contact to your local authorities or retailer where the product was purchased. Each household performs important role in recovering and recycling of old appliance. Appropriate disposal of used appliance helps prevent potential negative consequences for the environment and human health.

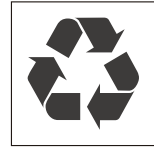


Compliance with RoHS Directive

The product you have purchased complies with EU RoHS Directive (2011/65/EU). It does not contain harmful and prohibited materials specified in the Directive.

Package information

Packaging materials of the product are manufactured from recyclable materials in accordance with our National Environment Regulations. Do not dispose of the packaging materials together with the domestic or other wastes. Take them to the packaging material collection points designated by the local authorities.



DATA PROTECTION NOTICE

For the provision of the services agreed with the customer, we agree to comply without restriction with all stipulations of applicable data protection law, in line with agreed countries within which services to the customer will be delivered, as well as, where applicable, the EU General Data Protection Regulation (GDPR).

Generally, our data processing is to fulfil our obligation under contract with you and for product safety reasons, to safeguard your rights in connection with warranty and product registration questions. In some cases, but only if appropriate data protection is ensured, personal data might be transferred to recipients located outside of the European Economic Area.

Further information are provided on request. You can contact our Data Protection Officer via **MideaDPO@midea.com**. To exercise your rights such as right to object your personal data being processed for direct marketing purposes, please contact us via **MideaDPO@midea.com**. To find further information, please follow the QR Code.



make yourself at home



www.midea.com

© Midea 2023 all rights reserved

16173000A22733

V1.0