

MOBILE TYPE AIR CONDITIONER(Local Air Conditioner)

# USER MANUAL

MPPA20C  
MPPA26C



Warning notices: Before using this product, please read this manual carefully and keep it for future reference. The design and specifications are subject to change without prior notice for product improvement. Consult with your dealer or manufacturer for details. The diagram above is just for reference. Please take the appearance of the actual product as the standard.



## THANK YOU LETTER

Thank you for choosing Midea! Before using your new Midea product, please read this manual thoroughly to ensure that you know how to operate the features and functions that your new appliance offers in a safe way.

## CONTENTS

THANK YOU LETTER .....	01
SAFETY PRECAUTIONS .....	02
SPECIFICATIONS .....	11
BEFORE YOU GET START .....	12
PRODUCT OVERVIEW .....	14
INSTALLATION OVERVIEW .....	16
INSTALLATION GUIDE .....	19
GET TO KNOW YOUR AC .....	25
DRAINAGE GUIDE .....	27
Remote Controller Specifications .....	28
CLEANING & MAINTENANCE .....	41
STORE THE UNIT WHEN NOT IN USE .....	42
TROUBLESHOOTING .....	43
TRADEMARKS, COPYRIGHTS AND LEGAL STATEMENT .....	44
DISPOSAL AND RECYCLING .....	44
DATA PROTECTION NOTICE .....	45

# SAFETY PRECAUTIONS

It's really important you read Safety Precautions Before Operation and Installation. Incorrect installation due to ignoring instructions can cause serious damage or injury. The seriousness of potential damage or injuries is classified as either a **WARNING** or **CAUTION**.

## Explanation of Symbols



### **WARNING**

The signal word indicates a hazard with a medium level of risk which, if not avoided, may result in death or serious injury.



### **CAUTION**

The signal word indicates a hazard with a low degree of risk which, if not avoided, may result in minor or moderate injury.

Read these operating instructions carefully and attentively before using/commissioning the unit and keep them in the immediate vicinity of the installation site or unit for later use!

## **WARNING**

- Installation must be performed according to the installation instructions. Improper installation can cause water leakage, electrical shock, or fire.
- Use only the included accessories and parts, and specified tools for the installation. Using nonstandard parts can cause water leakage, electrical shock, fire, and injury or property damage.
- Make sure that the outlet you are using is grounded and has the appropriate voltage. The power cord is equipped with a three-prong grounding plug to protect against shock. Voltage information can be found on the nameplate of the unit.
- Your unit must be used in a properly grounded wall receptacle. If the wall receptacle you intend to use is not adequately grounded or protected by a time delay fuse or circuit breaker (the fuse or circuit breaker needed is determined by the maximum current of the unit. The maximum current is indicated on the nameplate located on unit), have a qualified electrician install the proper receptacle.
- Do not touch the unit with wet or damp hands or when barefoot.
- If the air conditioner is knocked over during use, turn off the unit and unplug it from the main power supply immediately. Visually inspect the unit to ensure there is no damage. If you suspect the unit has been damaged, contact a technician or customer service for assistance.
- In a thunderstorm, the power must be cut off to avoid damage to the machine due to lightning.
- Your air conditioner should be used in such a way that it is protected from moisture. e.g. condensation, splashed water, etc. Do not place or store your air conditioner where it can fall or be pulled into water or any other liquid.
- Unplug immediately if it occurs.
- Install the unit on a flat, sturdy surface. Failure to do so could result in damage or excessive noise and vibration.
- The unit must be kept free from obstruction to ensure proper function and to mitigate safety hazards.

- Do not modify the length of the power cord or use an extension cord to power the unit.
- Do not share a single outlet with other electrical appliances. Improper power supply can cause fire or electrical shock.
- Do not install your air conditioner in a wet room such as a bathroom or laundry room. Too much exposure to water can cause electrical components to short circuit.
- Do not install the unit in a location that may be exposed to combustible gas, as this could cause fire.
- The unit has wheels to facilitate moving. Make sure not to use the wheels on thick carpet or to roll over objects, as these could cause tipping.
- Do not operate a unit that it has been dropped or damaged.
- The appliance with electric heater shall have at least 1 meter space to the combustible materials.
- All wiring must be performed strictly in accordance with the wiring diagram located inside of the unit.
- The unit's circuit board(PCB) is designed with a fuse to provide overcurrent protection. The specifications of the fuse are printed on the circuit board, such as: T 3.15A/250V, etc.
- When the water drainage function is not in use, keep the upper and the lower drain plug firmly to the unit to get rid of choking. When the drain plug is not in use, keep it carefully to prevent children from choking.

## CAUTION

- This appliance can be used by children aged from 8 years and above and person with reduced physical, sensory or mental capabilities or lack of experience and knowledge if they have been given supervision or instruction concerning use of the appliance in a safe way and understand the hazards involved. Children shall not play with the appliance. Cleaning and user maintenance shall not be made by children without supervision.
- This appliance is not intended for use by people (including children) with reduced physical, sensory, or mental capabilities or lack of experience and knowledge, unless they have been given supervision or instruction concerning use of the appliance by a person responsible for their safety.  
Children must be supervised around the unit at all times.
- If the supply cord is damaged, it must be replaced by the manufacturer, its service agent or similarly qualified persons in order to avoid a hazard.
- Do not use this product for functions other than those described in this instruction manual.
- Before cleaning, turn off the power and unplug the unit.
- Disconnect the power if strange sounds, smell, or smoke comes from it.
- Do not press the buttons on the control panel with anything other than your fingers.
- Do not remove any fixed covers. Never use this appliance if it is not working properly, or if it has been dropped or damaged.
- Do not operate or stop the unit by inserting or pulling out the power cord plug.
- Do not use hazardous chemicals to clean or come into contact with the unit. Do not use the unit in the presence of inflammable substances or vapour such as alcohol, insecticides, petrol, etc.
- Prior to cleaning or other maintenance, the appliance must be disconnected from the supply mains.
- Do not remove any fixed covers. Never use this appliance if it is not working properly, or if it has been dropped or damaged.  
Do not run cord under carpeting. Do not cover cord with throw rugs, runners, or similar coverings. Do not route cord under furniture or appliances. Arrange cord away from traffic area and where it will not be tripped over.
- Do not operate unit with a damaged cord, plug, power fuse or circuit breaker. Discard unit or return to an authorized service facility for examination and/or repair.  
To reduce the risk of fire or electric shock, do not use this fan with any solid-state speed control device.  
The appliance shall be installed in accordance with national wiring regulations.  
Contact the authorised service technician for repair or maintenance of this unit.
- Contact the authorised installer for installation of this unit.  
Do not cover or obstruct the inlet or outlet grilles.
- Always transport your air conditioner in a vertical position and stand on a stable, level surface during use.
- Always contact a qualified person to carry out repairs. If the damaged power supply cord must be replaced with a new power supply cord obtained from the product manufacturer and not repaired.
- Hold the plug by the head of the power plug when taking it out.
- Turn off the product when not in use.
- How to fix the appliance to its support, please refer to the installation instructions.

## NOTE ABOUT FLUORINATED GASSES(NOT APPLICABLE TO THE UNIT USING R290 REFRIGERANT)

1. Fluorinated greenhouse gases are contained in hermetically sealed equipment. For specific information on the type, the amount and the CO<sub>2</sub> equivalent in tonnes of the fluorinated greenhouse gas(on some models), please refer to the relevant label on the unit itself.
2. Installation, service, maintenance and repair of this unit must be performed by a certified technician.
3. Product uninstallation and recycling must be performed by a certified technician.

### **⚠ WARNING for Using R290 Refrigerant**

- Do not use means to accelerate the defrosting process or to clean, other than those recommended by the manufacturer.
- The appliance shall be stored in a room without continuously operating ignition sources (for example: open flames, an operating gas appliance or an operating electric heater).
- Do not pierce or burn.
- Be aware that the refrigerants may not contain an odour.
- Appliance should be installed, operated and stored in a room with a floor area according to the amount of refrigerant to be charged. For specific information on the type of gas and the amount, please refer to the relevant label on the unit itself. When there are differences between the label and the manual on the Min. room area description, the description on label shall prevail.

#### **For R290**





amount of refrigerant (kg)	Min. room area(m <sup>2</sup> )	amount of refrigerant (kg)	Min. room area(m <sup>2</sup> )
≤ 0.0836	4	> 0.1881 and ≤ 0.2090	10
>0.0836 and ≤0.1045	5	>0.2090 and ≤0.2299	11
>0.1045 and ≤ 0.1254	6	>0.2299 and ≤ 0.2508	12
>0.1254 and ≤ 0.1463	7	>0.2508 and ≤ 0.2717	13
>0.1463 and ≤ 0.1672	8	>0.2717 and ≤ 0.2926	14
>0.1672 and ≤ 0.1881	9	>0.2926 and ≤ 0.3040	15

- Compliance with national gas regulations shall be observed. Keep ventilation openings clear of obstruction.
- The appliance shall be stored so as to prevent mechanical damage from occurring.
- A warning that the appliance shall be stored in a well-ventilated area where the room size corresponds to the room area as specified for operation.
- Any person who is involved with working on or breaking into a refrigerant circuit should hold a current valid certificate from an industry-accredited assessment authority, which authorises their competence to handle refrigerants safely in accordance with an industry recognised assessment specification.
- Servicing shall only be performed as recommended by the equipment manufacturer. Maintenance and repair requiring the assistance of other skilled personnel shall be carried out under the supervision of the person competent in the use of flammable refrigerants.
- Please follow the instruction carefully to handle, install, clear, service the air conditioner to avoid any damage or hazard. Flammable Refrigerant is used within air conditioner. When maintaining or disposing the air conditioner, the refrigerant (R32 or R290) shall be recovered properly, shall not discharge to air directly.
- No any open fire or device like switch which may generate spark/arcing shall be around air conditioner to avoid causing ignition of the flammable refrigerant used.
- Please follow the instruction carefully to store or maintain the air conditioner to prevent mechanical damage from occurring.
- Flammable refrigerant is used in air conditioner. Please follow the instruction carefully to avoid any hazard. For special information on the type of gas and the amount, please to the relevant label on the unit itself.
- The appliance shall be stored in a room without continuously operating open flames (for example an operating gas appliance) and ignition sources (for example an operating electric heater).



**Caution:  
Risk of fire/flammable materials  
(Required for R32/R290 units only)**

Explanation of symbols displayed on the unit (For the unit adopts R32/R290 Refrigerant only):

	<b>WARNING</b>	This symbol shows that this appliance used a flammable refrigerant. If the refrigerant is leaked and exposed to an external ignition source, there is a risk of fire.
	<b>CAUTION</b>	This symbol shows that the operation manual should be read carefully.
	<b>CAUTION</b>	This symbol shows that a service personnel should be handling this equipment with reference to the installation manual.
	<b>CAUTION</b>	This symbol shows that information is available such as the operating manual or installation manual.

1. Transport of equipment containing flammable refrigerants See transport regulations
2. Marking of equipment using signs See local regulations.
3. Disposal of equipment using flammable refrigerants See national regulations.
4. Storage of equipment/appliances The storage of equipment should be in accordance with the manufacturer's instructions.
5. Storage of packed (unsold) equipment Storage package protection should be constructed such that mechanical damage to the equipment inside the package will not cause a leak of the refrigerant charge. The maximum number of pieces of equipment permitted to be stored together will be determined by local regulations.

## 6. Information on servicing

### 1) Checks to the area

Prior to beginning work on systems containing flammable refrigerants, safety checks are necessary to ensure that the risk of ignition is minimised. For repair to the refrigerating system, the following precautions shall be complied with prior to conducting work on the system.

### 2) Work procedure

Work shall be undertaken under a controlled procedure so as to minimise the risk of a flammable gas or vapour being present while the work is being performed.

### 3) General work area

All maintenance staff and others working in the local area shall be instructed on the nature of work being carried out. Work in confined spaces shall be avoided. The area around the workspace shall be sectioned off. Ensure that the conditions within the area have been made safe by control of flammable material.

### 4) Checking for presence of refrigerant

The area shall be checked with an appropriate refrigerant detector prior to and during work, to ensure the technician is aware of potentially flammable atmospheres. Ensure that the leak detection equipment being used is suitable for use with flammable refrigerants, i.e. non-sparking, adequately sealed or intrinsically safe.

### 5) Presence of fire extinguisher

If any hot work is to be conducted on the refrigeration equipment or any associated parts, appropriate fire extinguishing equipment shall be available to hand. Have a dry powder or CO<sub>2</sub> fire extinguisher adjacent to the charging area.

### 6) No ignition sources

No person carrying out work in relation to a refrigeration system which involves exposing any pipe work that contains or has contained flammable refrigerant shall use any sources of ignition in such a manner that it may lead to the risk of fire or explosion. All possible ignition sources, including cigarette smoking, should be kept sufficiently far away from the site of installation, repairing, removing and disposal, during which flammable refrigerant can possibly be released to the surrounding space. Prior to work taking place, the area around the equipment is to be surveyed to make sure that there are no flammable hazards or ignition risks. No Smoking signs shall be displayed.

### 7) Ventilated area

Ensure that the area is in the open or that it is adequately ventilated before breaking into the system or conducting any hot work. A degree of ventilation shall continue during the period that the work is carried out. The ventilation should safely disperse any released refrigerant and preferably expel it externally into the atmosphere.

### 8) Checks to the refrigeration equipment

Where electrical components are being changed, they shall be fit for the purpose and to the correct specification. At all times the manufacturer's maintenance and service guidelines shall be followed. If in doubt consult the manufacturer's technical department for assistance. The following checks shall be applied to installations using flammable refrigerants: The charge size is in accordance with the room size within which the refrigerant containing parts are installed; The ventilation machinery and outlets are operating adequately and are not obstructed; If an indirect refrigerating circuit is being used, the secondary circuit shall be checked for the presence of refrigerant; Marking to the equipment continues to be visible and legible. Markings and signs that are illegible shall be corrected; Refrigeration pipe or components are installed in a position where they are unlikely to be exposed to any substance which may corrode refrigerant containing components, unless the components are constructed of materials which are inherently resistant to being corroded or are suitably protected against being so corroded.

## 9) Checks to electrical devices

Repair and maintenance to electrical components shall include initial safety checks and component inspection procedures. If a fault exists that could compromise safety, then no electrical supply shall be connected to the circuit until it is satisfactorily dealt with. If the fault cannot be corrected immediately but it is necessary to continue operation, an adequate temporary solution shall be used. This shall be reported to the owner of the equipment so all parties are advised.

Initial safety checks shall include:

That capacitors are discharged: this shall be done in a safe manner to avoid possibility of sparking; That there no live electrical components and wiring are exposed while charging, recovering or purging the system; That there is continuity of earth bonding.

## 7. Repairs to sealed components

1) During repairs to sealed components, all electrical supplies shall be disconnected from the equipment

being worked upon prior to any removal of sealed covers, etc. If it is absolutely necessary to have an electrical supply to equipment during servicing, then a permanently operating form of leak detection shall be located at the most critical point to warn of a potentially hazardous situation.

2) Particular attention shall be paid to the following to ensure that by working on electrical components, the casing is not altered in such a way that the level of protection is affected. This shall include damage to cables, excessive number of connections, terminals not made to original specification, damage to seals, incorrect fitting of glands, etc. Ensure that apparatus is mounted securely. Ensure that seals or sealing materials have not degraded such that they no longer serve the purpose of preventing the ingress of flammable atmospheres. Replacement parts shall be in accordance with the manufacturer's specifications.

NOTE: The use of silicon sealant may inhibit the effectiveness of some types of leak detection equipment. Intrinsically safe components do not have to be isolated prior to working on them.

## 8. Repair to intrinsically safe components

Do not apply any permanent inductive or capacitance loads to the circuit without ensuring that this will not exceed the permissible voltage and current permitted for the equipment in use. Intrinsically safe components are the only types that can be worked on while live in the presence of a flammable atmosphere. The test apparatus shall be at the correct rating. Replace components only with parts specified by the manufacturer. Other parts may result in the ignition of refrigerant in the atmosphere from a leak.

## 9. Cabling

Check that cabling will not be subject to wear, corrosion, excessive pressure, vibration, sharp edges or any other adverse environmental effects. The check shall also take into account the effects of aging or continual vibration from sources such as compressors or fans.

## 10. Detection of flammable refrigerants

Under no circumstances shall potential sources of ignition be used in the searching for or detection of refrigerant leaks. A halide torch (or any other detector using a naked flame) shall not be used.

## 11. Leak detection methods

The following leak detection methods are deemed acceptable for systems containing flammable refrigerants. Electronic leak detectors shall be used to detect flammable refrigerants, but the sensitivity may not be adequate, or may need re-calibration. (Detection equipment shall be calibrated in a refrigerant-free area.) Ensure that the detector is not a potential source of ignition and is suitable for the refrigerant used. Leak detection equipment shall be set at a percentage of the LFL of the refrigerant and shall be calibrated to the refrigerant employed and the appropriate percentage of gas (25 % maximum) is confirmed.

Leak detection fluids

are suitable for use with most refrigerants but the use of detergents containing chlorine shall be avoided as the chlorine may react with the refrigerant and corrode the copper pipe-work. If a leak is suspected, all naked flames shall be removed/extinguished. If a leakage of refrigerant is found which requires brazing, all of the refrigerant shall be recovered from the system, or isolated (by means of shut off valves) in a part of the system remote from the leak. Oxygen free nitrogen (OFN) shall then be purged through the system both before and during the brazing process.

## 12. Removal and evacuation

When breaking into the refrigerant circuit to make repairs or for any other purpose conventional procedures shall be used. However, it is important that best practice is followed since flammability is a consideration. The following procedure shall be adhered to: Remove refrigerant; Purge the circuit with inert gas; Evacuate; Purge again with inert gas; Open the circuit by cutting or brazing.

The refrigerant charge shall be recovered into the correct recovery cylinders. The system shall be flushed with OFN to render the unit safe. This process may need to be repeated several times. Compressed air or oxygen shall not be used for this task. Flushing shall be achieved by breaking the vacuum in the system with OFN and continuing to fill until the working pressure is achieved, then venting to atmosphere, and finally pulling down to a vacuum. This process shall be repeated until no refrigerant is within the system. When the final OFN charge is used, the system shall be vented down to atmospheric pressure to enable work to take place. This operation is absolutely vital if brazing operations on the pipe-work are to take place. Ensure that the outlet for the vacuum pump is not close to any ignition sources and there is ventilation available.

## 13. Charging procedures

In addition to conventional charging procedures, the following requirements shall be followed. Ensure that contamination of different refrigerants does not occur when using charging equipment. Hoses or lines shall be as short as possible to minimise the amount of refrigerant contained in them. Cylinders shall be kept upright.

Ensure that the refrigeration system is earthed prior to charging the system with refrigerant. Label the system when charging is complete (if not already).

Extreme care shall be taken not to overfill the refrigeration system. Prior to recharging the system it shall be pressure tested with OFN. The system shall be leak tested on completion of charging but prior to commissioning. A follow up leak test shall be carried out prior to leaving the site.

## 14. Decommissioning

Before carrying out this procedure, it is essential that the technician is completely familiar with the equipment and all its detail. It is recommended good practice that all refrigerants are recovered safely. Prior to the task being carried out, an oil and refrigerant sample shall be taken in case analysis is required prior to re-use of reclaimed refrigerant. It is essential that electrical power is available before the task is commenced.

a) Become familiar with the equipment and its operation.

b) Isolate system electrically.

c) Before attempting the procedure ensure that: Mechanical handling equipment is available, if required, for handling refrigerant cylinders; All personal protective equipment is available and being used correctly; The recovery process is supervised at all times by a competent person; Recovery equipment and cylinders conform to the appropriate standards.

d) Pump down refrigerant system, if possible.

e) If a vacuum is not possible, make a manifold so that refrigerant can be removed from various parts of the system.

f) Make sure that cylinder is situated on the scales before recovery takes place.

g) Start the recovery machine and operate in accordance with manufacturer's instructions.

h) Do not overfill cylinders. (No more than 80 % volume liquid charge).

i) Do not exceed the maximum working pressure of the cylinder, even temporarily.

j) When the cylinders have been filled correctly and the process completed, make sure that the cylinders and the equipment are removed from site promptly and all isolation valves on the equipment are closed.

k) Recovered refrigerant shall not be charged into another refrigeration system unless it has been cleaned and checked. cylinders. (No more than 80 % volume liquid charge).

#### 15. Labelling

Equipment shall be labelled stating that it has been de-commissioned and emptied of refrigerant. The label shall be dated and signed. Ensure that there are labels on the equipment stating the equipment contains flammable refrigerant.

#### 16. Recovery

When removing refrigerant from a system, either for servicing or decommissioning, it is recommended good practice that all refrigerants are removed safely. When transferring refrigerant into cylinders, ensure that only appropriate refrigerant recovery cylinders are employed. Ensure that the correct number of cylinders for holding the total system charge is available. All cylinders to be used are designated for the recovered refrigerant and labelled for that refrigerant (i.e. special cylinders for the recovery of refrigerant). Cylinders shall be complete with pressure relief valve and associated shut-off valves in good working order. Empty recovery cylinders are evacuated and, if possible, cooled before recovery occurs. The recovery equipment shall be in good working order with a set of instructions concerning the equipment that is at hand and shall be suitable for the recovery of flammable refrigerants. In addition, a set of calibrated weighing scales shall be available and in good working order. Hoses shall be complete with leak-free disconnect couplings and in good condition. Before using the recovery machine, check that it is in satisfactory working order, has been properly maintained and that any associated electrical components are sealed to prevent ignition in the event of a refrigerant release.

Consult manufacturer if in doubt. The recovered refrigerant shall be returned to the refrigerant supplier in the correct recovery cylinder, and the relevant Waste Transfer Note arranged. Do not mix refrigerants in recovery units and especially not in cylinders. If compressors or compressor oils are to be removed, ensure that they have been evacuated to an acceptable level to make certain that flammable refrigerant does not remain within the lubricant. The evacuation process shall be carried out prior to returning the compressor to the suppliers. Only electric heating to the compressor body shall be employed to accelerate this process. When oil is drained from a system, it shall be carried out safely.

# SPECIFICATIONS

Product Model	MPPA20C	MPPA26C
Power source	220-240V~ 50Hz, 1Ph	
Cooling capacity	2.0kW	2.6kW
Heating capacity	-----	-----
Rated current	5.0A	6.2A
Rated power input	980W	1220W
Moisture resistance class	IPX0	

# BEFORE YOU GET START



The installation must be carried out in strict accordance with the instructions in this manual.



Installing your AC should take about 30 minutes.



We recommend doing this with a helper.



We're here if you need us, please contact your local distributor for assistance.

## ! AMBIENT TEMPERATURE RANGE FOR UNIT OPERATING

MODE	Temperature Range	MODE	Temperature Range
Cool	16-35°C (60-95°F)	Heat(pump heat mode)	5-30°C (41-86°F)
Dry	13-35°C (55-95°F)	Heat(electrical heat mode)	≤ 30°C (86°F)

## Know your mobile type Air Conditioner

### Energy Rating Information

The energy rating and noise information for this unit is based on the standard installation using an un-extended exhaust duct without window slider adaptor (as shown in the Installation section of this manual). At the same time, the unit must be operate on the COOL MODE and HIGH FAN SPEED by remote controller.

The unit with 3 meters extended exhaust duct is running by using 2 exhaust ducts(Diameter:150mm, Length:1.5m + Diameter: 130mm,Length: 1.5m) .The Energy rating and noise information for unit with 3 meters extended exhaust duct is not assessed. (For some models)

#### NOTE:

We recommend that operating the unit at room temperature below 35°C . Since there is a risk that the unit with 3 meters extended exhaust duct would not work at room temperature above 35°C under some extreme conditions, such as the lower air intake be blocked for 50%.

### How to Stay Cool with a New Portable Air Conditioner (For the models comply with the requirements of Department Of Energy in US).

Because of a new federal test procedure for Portable Air Conditioners, you may notice that the cooling capacity claims on portable air conditioner packaging are significantly lower than that of models produced prior to 2017. This is due to changes in the test procedure, not to the portable air conditioners themselves.

### How to purchasing a mobile type air conditioner.

The right air conditioner helps you cool a room efficiently. An undersized unit won't cool adequately while one that's too large will not remove enough humidity, leaving the air feeling damp. To find the proper air conditioner, determine the square footage of the room you want to cool by multiplying the room length by its width. You also need to know the air conditioner's BTU (British Thermal Unit) rating, which indicates the amount of heat it can remove from a room. A higher number means more cooling power for a larger room. (Be sure you are comparing only newer models to each other older models may appear to have a higher capacity, but are actually the same). Be sure to "size up" if your portable air conditioner will be placed in a very sunny room, in a kitchen, or in a room with high ceilings. After you've found the right cooling capacity or your room, you can look at other features.

## Why newer products have lower cooling capacity than older models.

Federal regulations require manufacturers to calculate cooling capacity based on a specific test procedure, which was changed just this year.

Models manufactured before 2017 were tested under a different procedure and cooling capacity is measured differently than in prior years' models. So, while the BTUs may be lower, the actual cooling capacity of the air conditioners has not changed.

## What is SACC ?

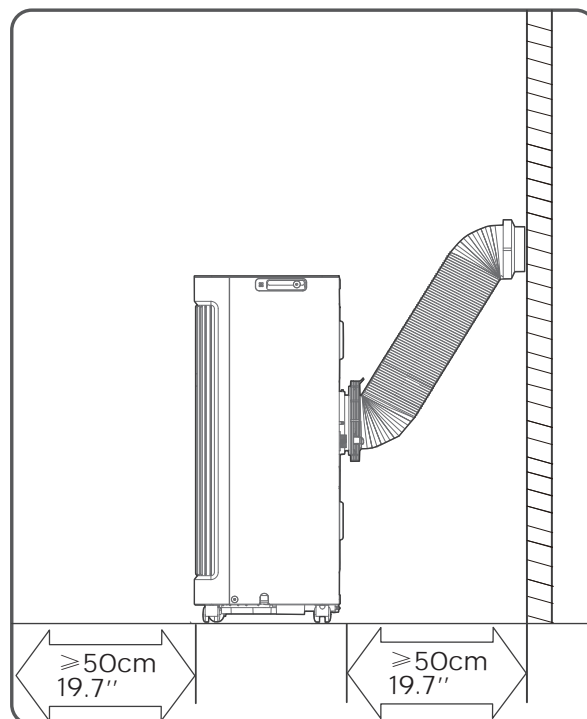
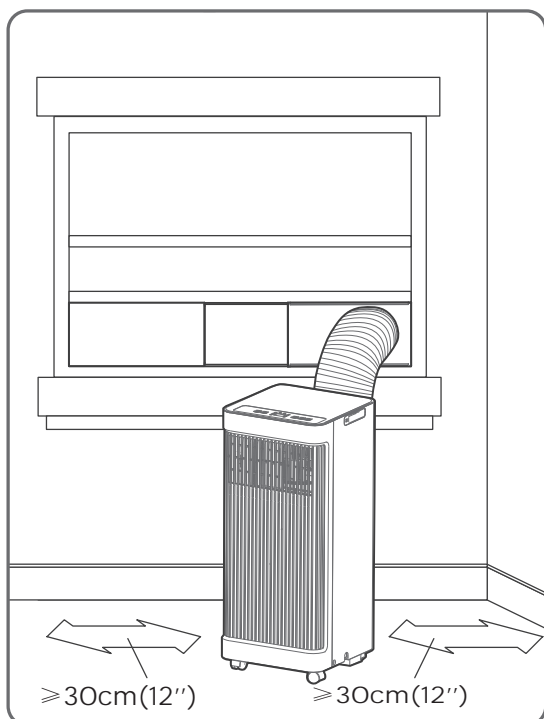
SACC is the representative value of Seasonally Adjusted Cooling Capacity, in Btu/h, as determined in accordance with the DOE test procedure at title 10 Code of Federal Regulations (CFR) 430, subpart B, appendix CC and applicable sampling plans.

## PRODUCT INSTALLATION LOCATION

### Your installation location should meet the following requirements:

- Make sure that you install your unit on an even surface to minimize noise and vibration.
- The unit must be installed near a grounded plug, and the Collection Tray Drain (found on the back of the unit) must be accessible.
- The unit should be located at least 30cm (12") from the nearest wall to ensure proper air conditioning. The air outlet of the unit should be at least 50cm(19.7") away from obstacles.
- DO NOT cover the Intakes, Outlets or Remote Signal Receptor of the unit, as this could cause damage to the unit.

### Unit Installation Location Restricted Space Requirements

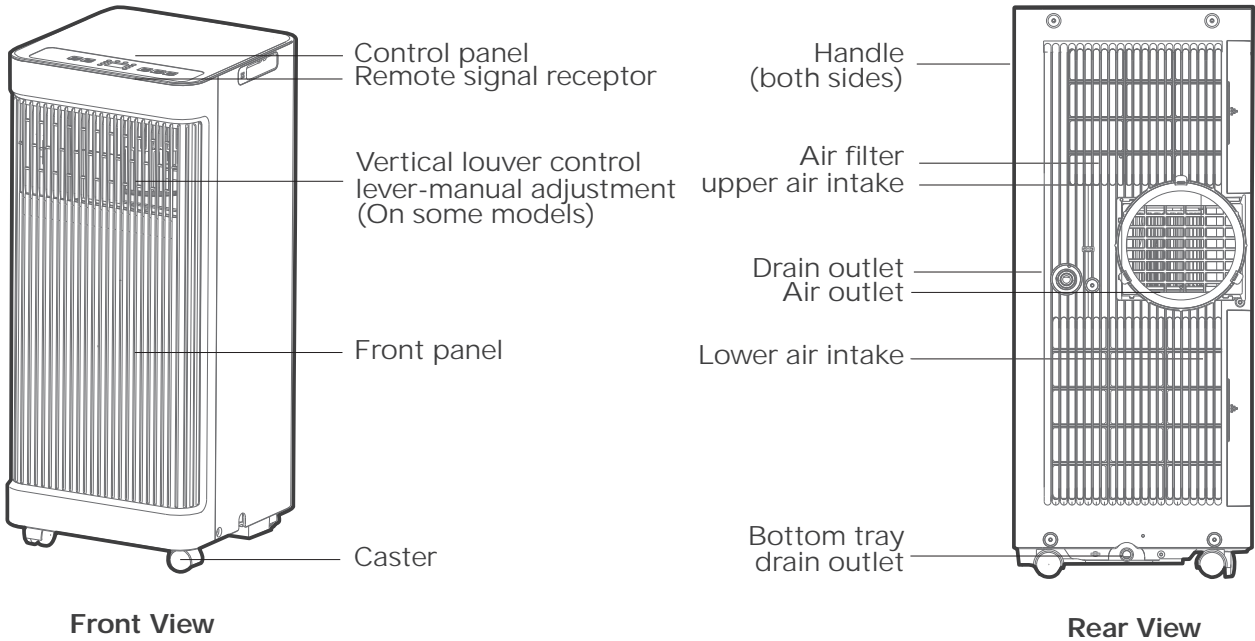


# PRODUCT OVERVIEW

## NOTE ON ILLUSTRATIONS:

All the illustrations in the manual are for explanation purpose only. Your machine may be slightly different. The actual shape shall prevail. The unit can be controlled by the unit control panel alone or with the remote controller. This manual does not include Remote Controller Operations, see the <<Remote Controller Instruction>> packed with the unit for details.

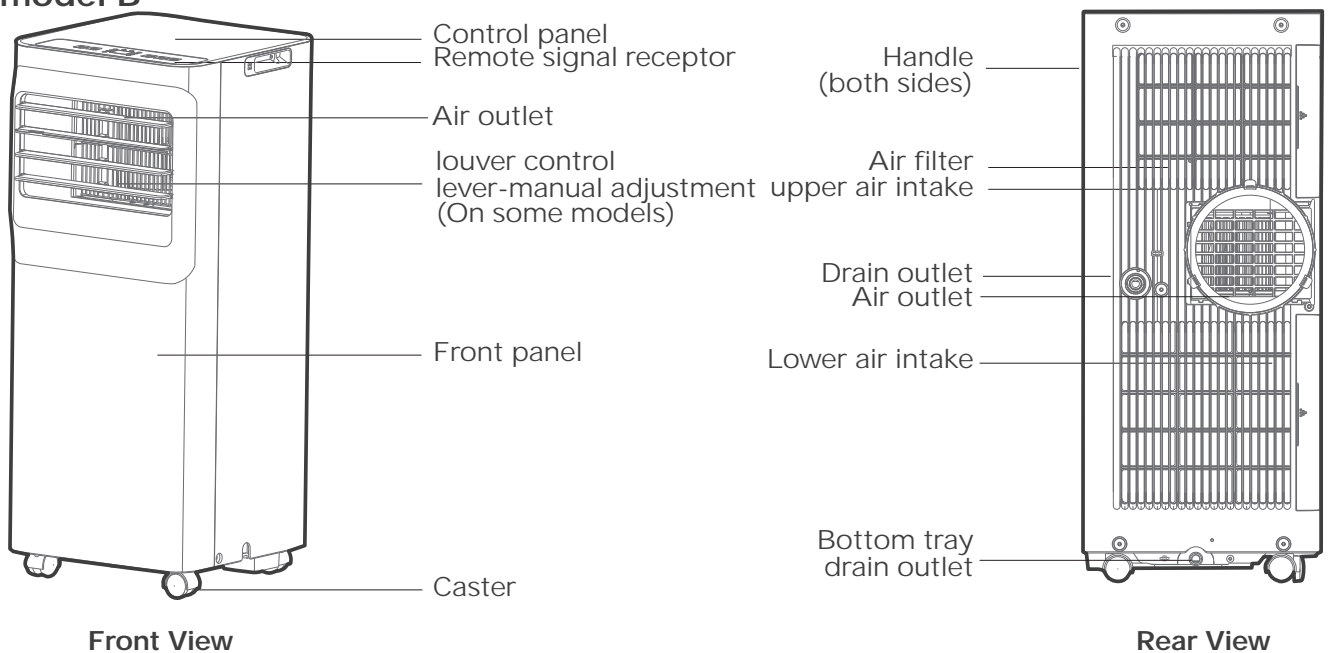
### model A



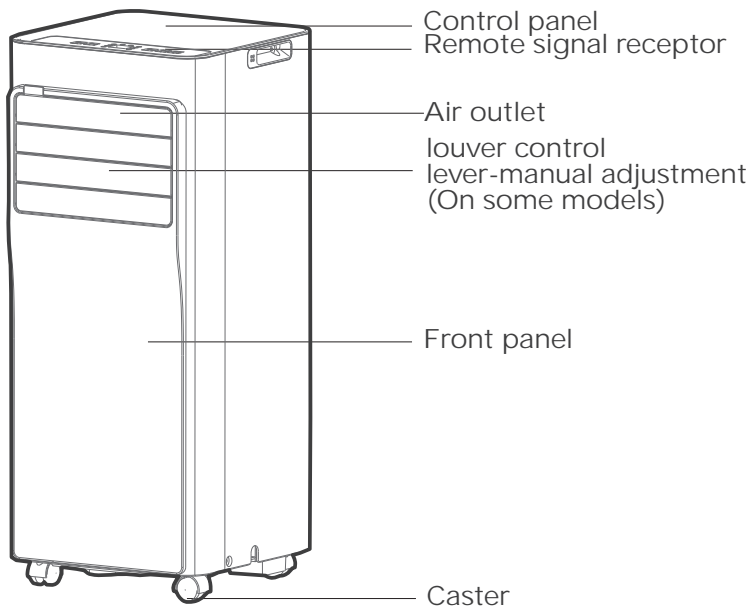
## Design Notice

In order to ensure the optimal performance of our products, the design specifications of the unit and remote control are subject to change without prior notice.

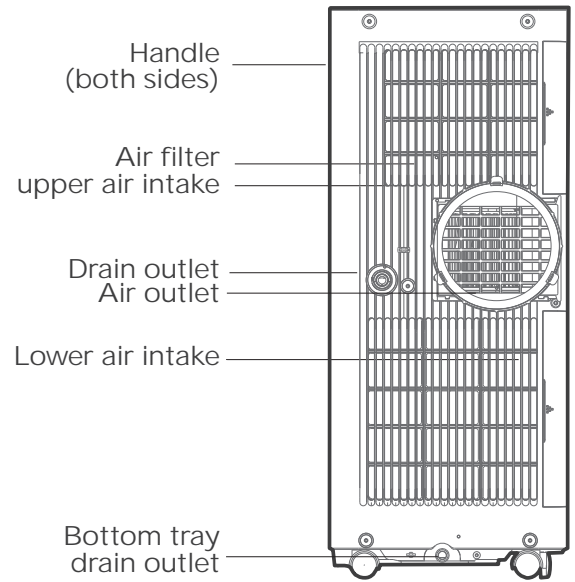
### model B



# model C

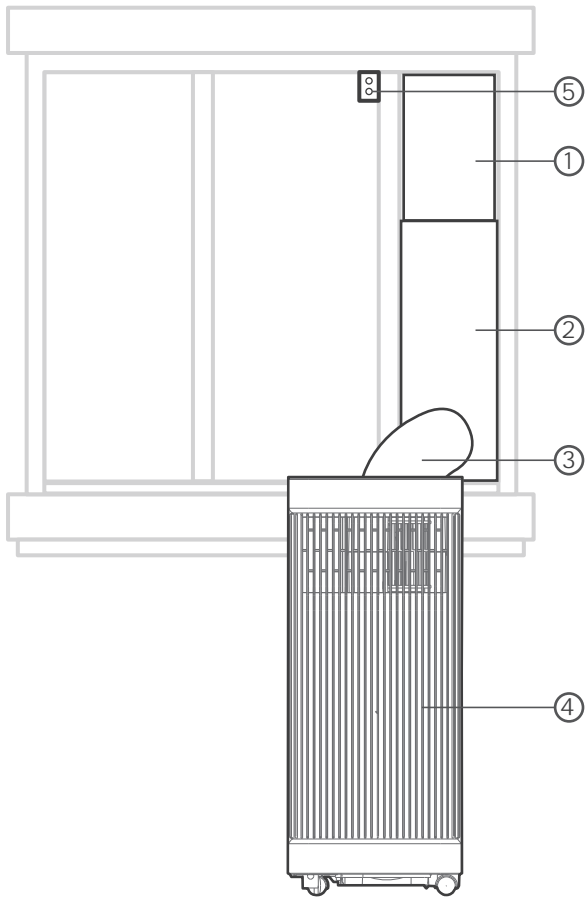


Front View

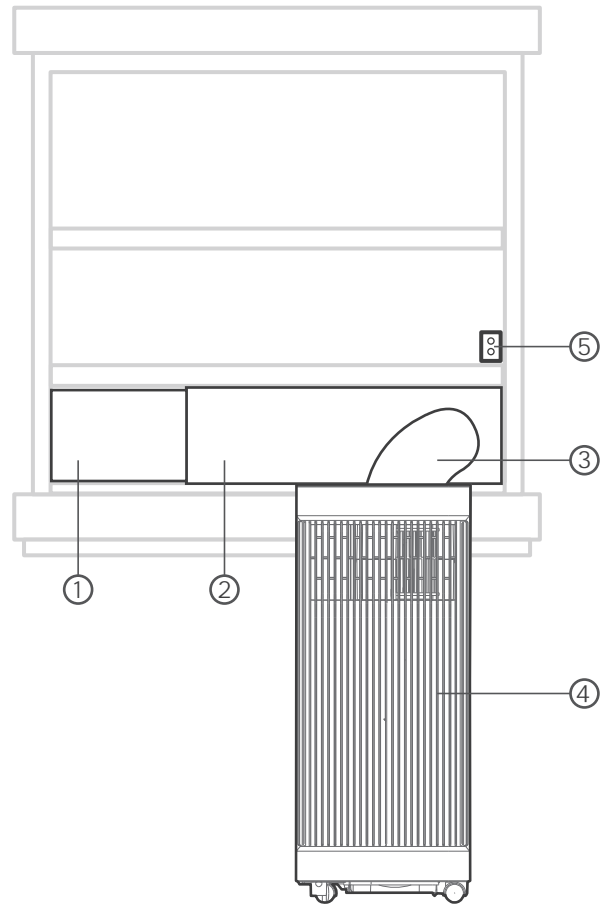


Rear View

# INSTALLATION OVERVIEW



**Sliding Window Installation**



**Hung Window Installation**

- ① Window Slider B                      ② Window Slider A                      ③ Extended Exhaust Hose
- ④ Local Air Conditioner                ⑤ Security Bracket and 2 Screws

**NOTE**

Illustrations in this manual are for explanatory purposes. The actual shape of your indoor unit may be slightly different. The actual shape shall prevail.

**List of installation tools (not included)**



Screwdriver & wrench



Pencil



A tape measure



Scissors or Knife



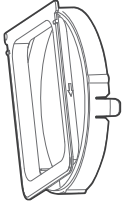
Saw (On some models, to shorten window adaptor for narrow windows)

## Installation accessories

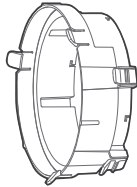


### NOTE

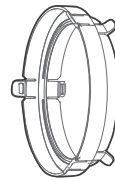
Items with (\*) are on some models. Slight variations in design may occur.



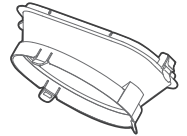
Unit Adaptor (1pc)



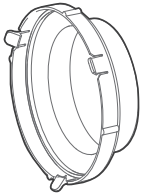
Window Slider Adaptor(1pc\*)



Exhaust Hose Adaptor(1pc\*)



Air exhaust passage(1pc\*)



Wall Exhaust Adaptor A  
(only for wall installation  
models)(1pc\*)



Foam Seal A (Adhesive)  
(2pc\*)



Foam Seal B (Adhesive)  
(2pc\*)



Foam Seal C (Non-adhesive)  
1 pc(\*)



Security Bracket and 2 Screws (1 set\*)



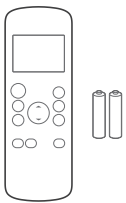
Drain Hose (1pc)



Exhaust Hose



Extended Exhaust Hose(1pc\*)



Remote Controller  
and Battery (only  
for remote control  
models)(1set\*)



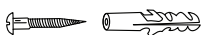
Bolt (1pc\*)



Drain Hose Adaptor (1pc\*)  
(only for heat pump mode)



Wall Exhaust Adaptor B  
(with cap)(only for wall  
installation models)1 pc(\*)



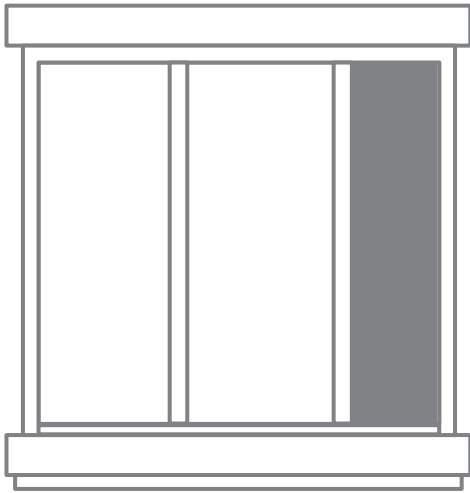
Screw and anchor  
(only for wall installation  
models)4 set(\*)



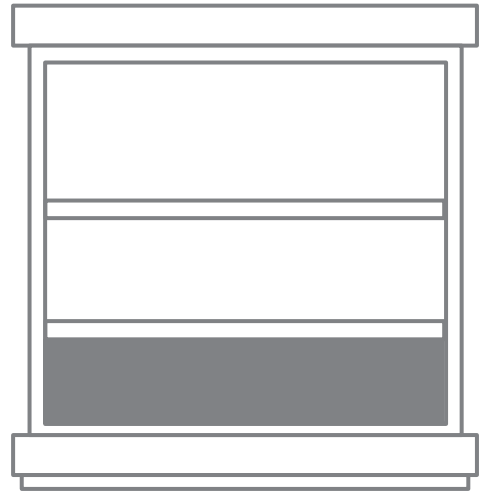
Window  
Slider A (1pc\*)

Window  
Slider B (1pc\*)

Confirm your window type (window type and opening size of different types)

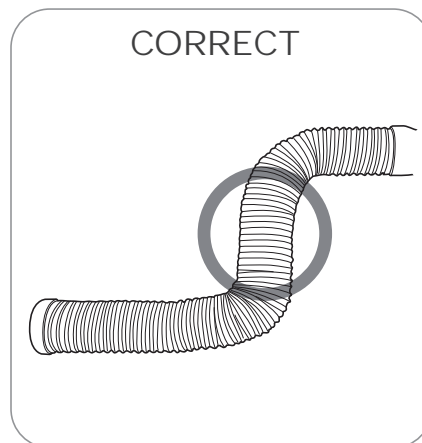
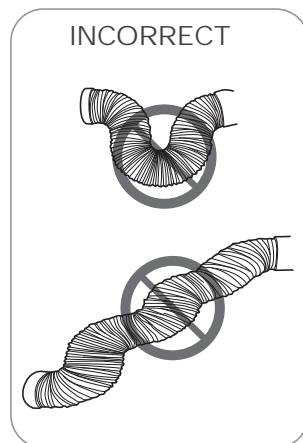


Sliding Window Installation



Hung Window Installation

For optimal performance in operation



**NOTE:**

To ensure proper function, DO NOT overextend or bend the hose. Make sure that there is no obstacle around the air outlet of the exhaust hose (in the range of 500mm) in order to the exhaust system works properly. All the illustrations in this manual are for explanation purpose only. Your air conditioner may be slightly different. The actual shape shall prevail.

# INSTALLATION GUIDE

1

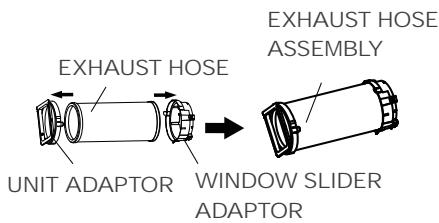
## The Exhaust Hose assembly installation (window type)

Press the exhaust hose(or extended exhaust hose) into the window slider adaptor and unit adaptor, clamp automatically by elastic buckles of the adaptors.

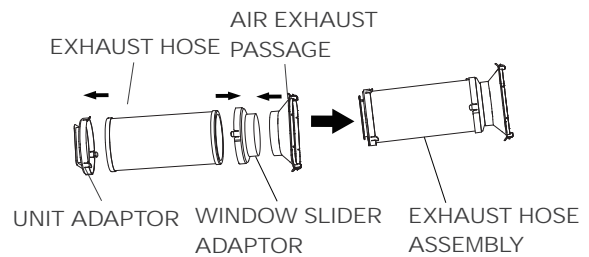


**NOTE:** Please install the exhaust hose assembly according to the fittings in your kit.

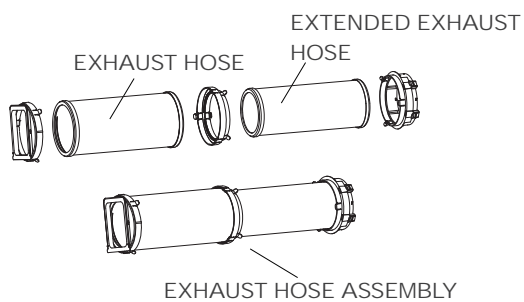
### Model A



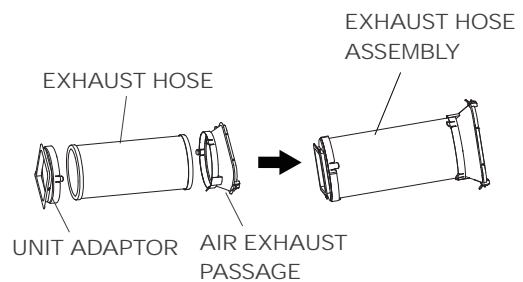
### Model B



### Model C



### Model D



# 2

## Preparing the Adjustable Window Slider

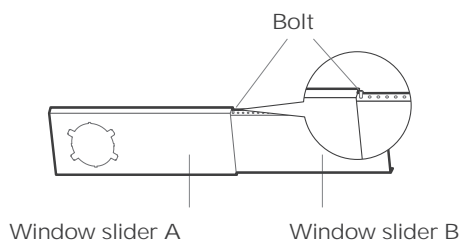
Choose the window sliders according the size of your window. Sometimes, it needs to be cut short to meet the window size, please take extra care to cut it properly.

Use bolts to fasten the window sliders once they are adjusted to the Proper length.

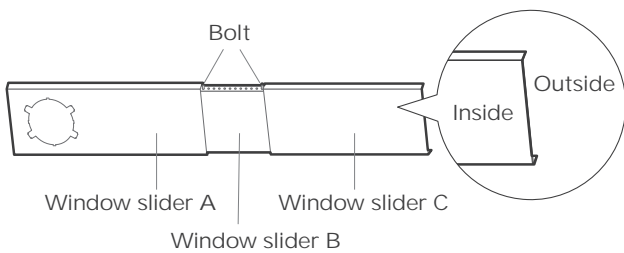
**!** **NOTE:** Please base your window slider installation on the accessories in your kit and the width of your window.

## Connect the adaptor to the unit and the window

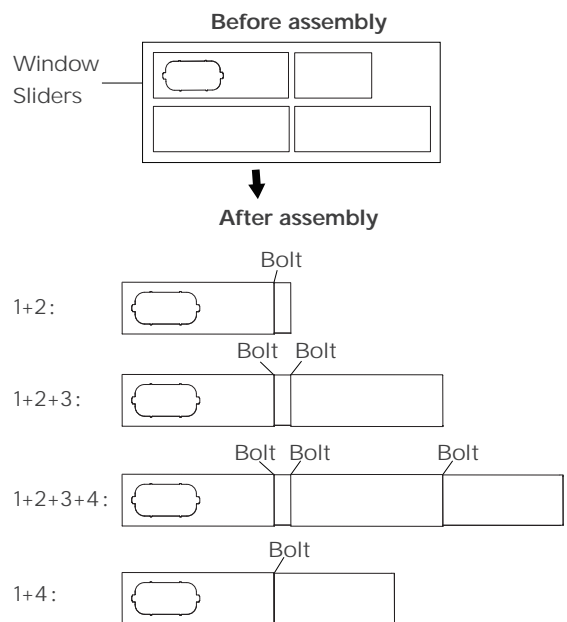
### MODEL A



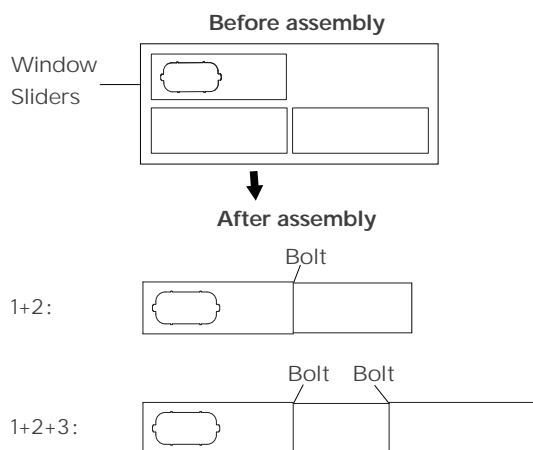
or



### MODEL B



### MODEL C

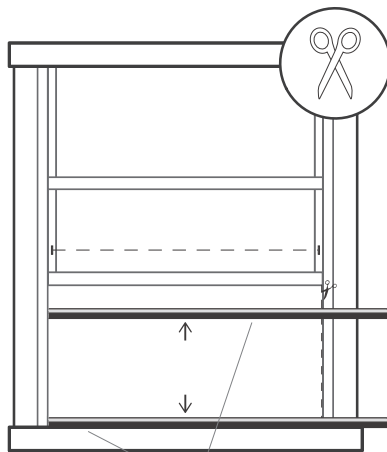


# 3

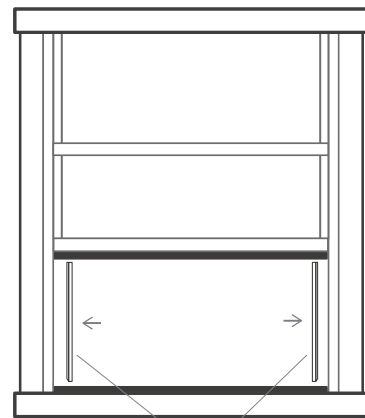
## Complete sealing of window

Cut the adhesive foam seal A and B strips to the proper lengths, and attach them to the window sash and frame as shown.

### Hung Window Installation

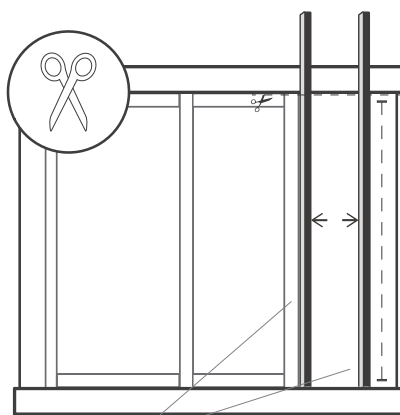


Foam seal A  
(Adhesive type)

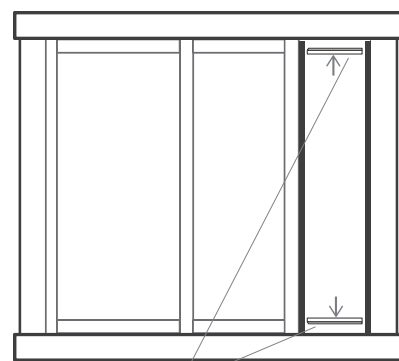


Foam seal B  
(Adhesive type-shorter)

### Sliding Window Installation



Foam seal A  
(Adhesive type)



Foam seal B  
(Adhesive type-shorter)

# 4

## Hung Window Installation

### Step 1:

Insert the window slider assembly into the window opening.

### Step 2:

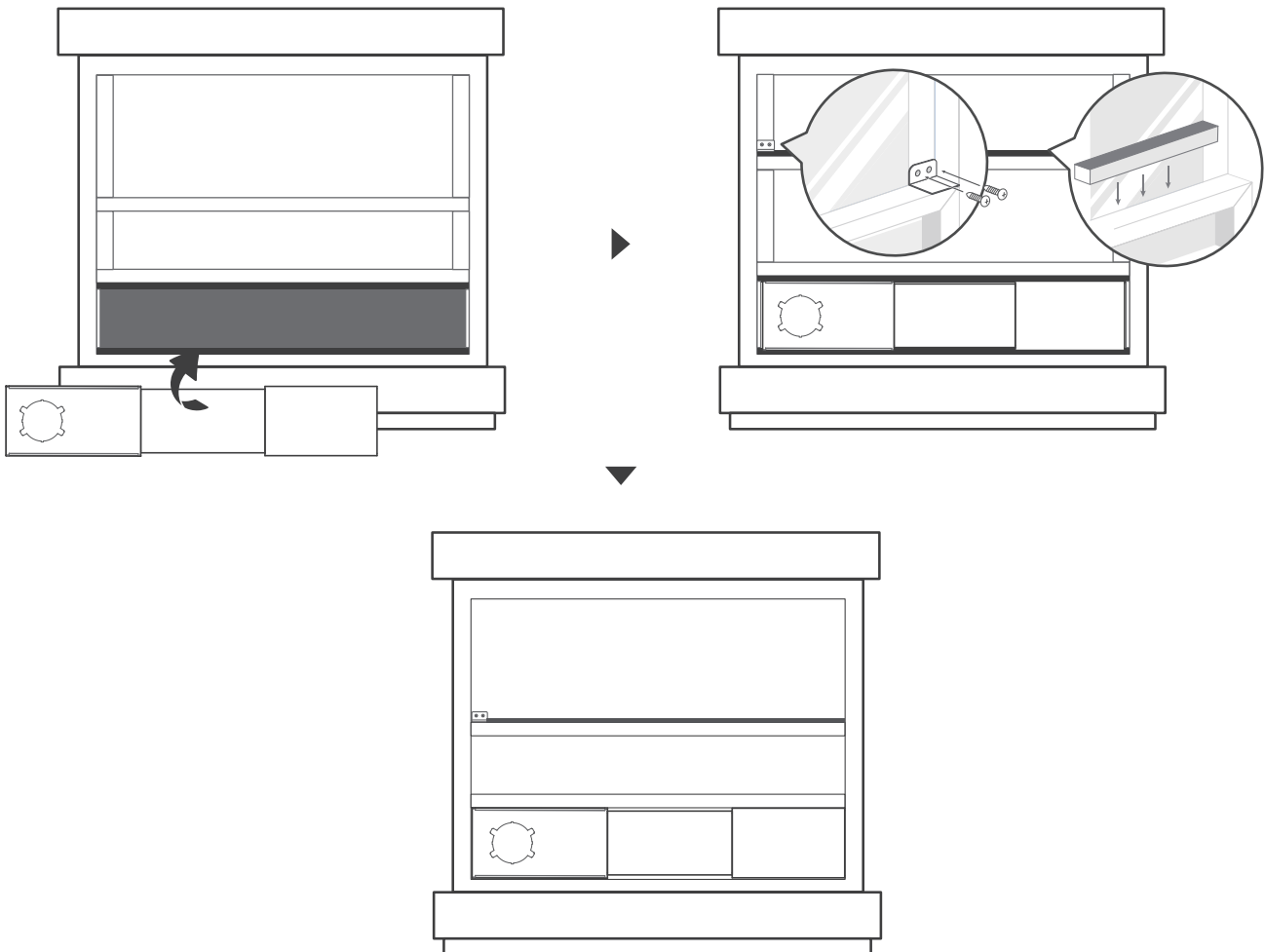
Cut the non-adhesive foam seal C strip to match the width of the window. Insert the seal between the glass and the window frame to prevent air and insects from getting into the room.

### Step 3:

If desired, install the security bracket with 2 screws as shown.



**NOTE:** Once the Exhaust Hose assembly and Adjustable Window Slider are prepared, choose from one of the following two installation methods.



# 5

## Sliding Window Installation

### Step 1:

Insert the window slider assembly into the window opening.

### Step 2:

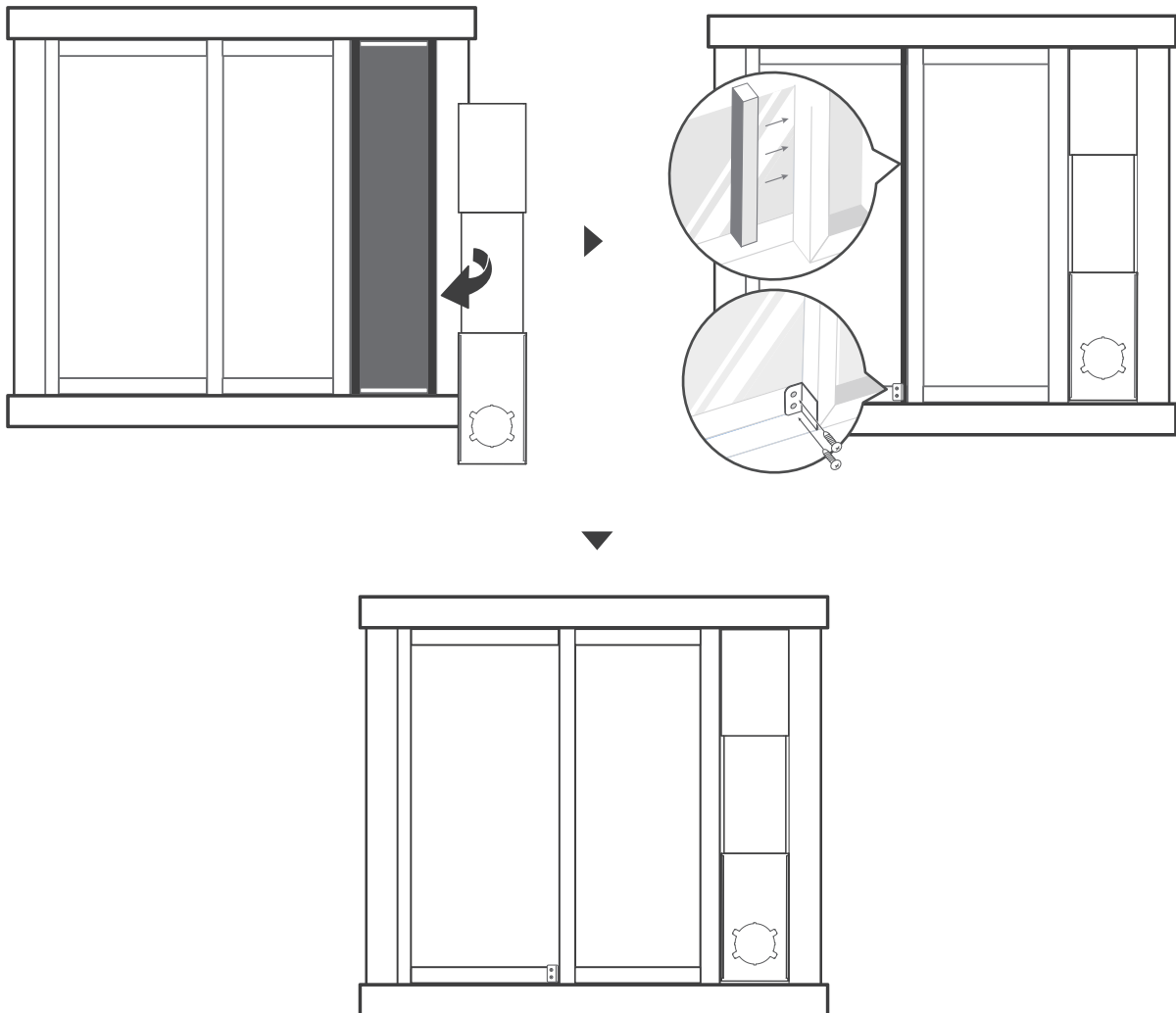
Cut the non-adhesive foam seal C strip to match the height of the window. Insert the seal between the glass and the window frame to prevent air and insects from getting into the room.

### Step 3:

If desired, install the security bracket with 2 screws as shown.



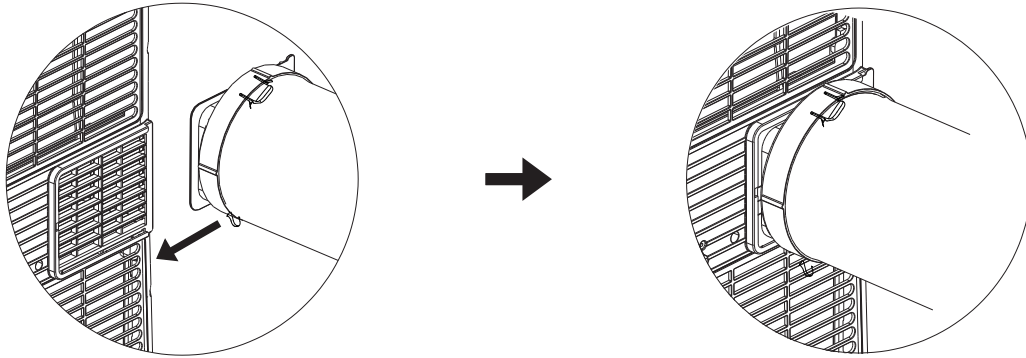
**NOTE:** Once the Exhaust Hose assembly and Adjustable Window Slider are prepared, choose from one of the following two installation methods.



# 6

## Install the Exhaust hose assembly to the unit

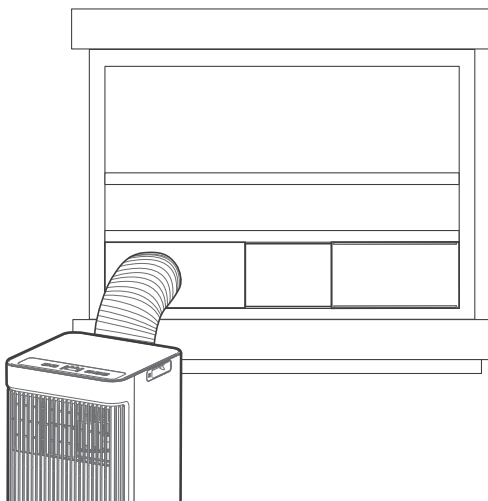
Push the Exhaust hose into the airoutlet opening of the unit along the arrow direction.



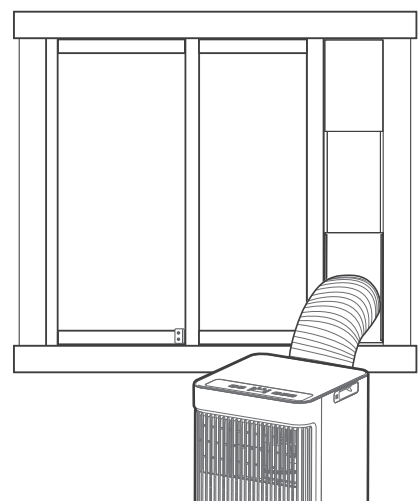
# 7

## Connect the adaptor to the unit and the window

Insert the window slider adaptor into the hole of the window slider.



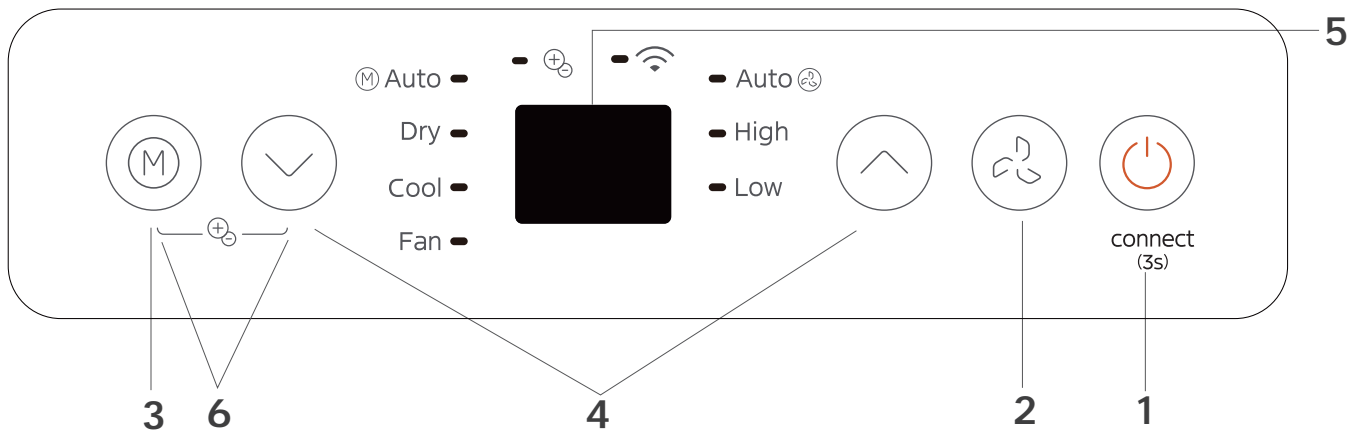
**Hung Window Installation**



**Sliding Window Installation**

# GET TO KNOW YOUR AC

## Electronic control operating instructions



### 1. POWER button

Power switch on/off .

Wireless operation (on some models)

Used to initiate the wireless connection mode. For the first time to use wireless function, press the POWER button for 3 seconds to initiate the wireless connection mode. The LED DISPLAY shows "AP" to indicate you can set wireless connection. If connection (router) is successful within 8 minutes, the unit will exit wireless connection mode automatically and the wireless indicator illuminates. If connection is failure within 8 minutes, the unit exits wireless connection mode automatically. After Wireless connection is successful, for some models you can press POWER and DOWN (∨) buttons at the same time for 3 seconds to turn off Wireless function and the LED DISPLAY shows "OF" for 3 seconds, press POWER button and UP (∧) to turn on Wireless function and the LED DISPLAY shows "On" for 3 seconds.

**NOTE:** When you restart the wireless function, it may take a period of time to connect to the network automatically.

### 2. FAN button

Press to control the fan speed in three steps HIGH, LOW, and AUTO. The fan speed indicator light illuminates under different fan settings.

### 3. MODE button

Selects the appropriate operating mode. Each time you press the button, the mode is selected in a sequence that goes from AUTO, DRY, COOL and FAN, The mode indicator light illuminates under the different mode setting.

**NOTE:** In AUTO mode, the FAN speed will be adjusted automatically.

### AUTO mode

Press the "MODE" button until the "Auto" indicator light comes on. In this mode, the fan speed or the temperature will be adjusted automatically.

## COOL mode

Press the "MODE" button until the "COOL" indicator light comes on.

Press the UP and DOWN buttons "∨" or "∧" to select your desired room temperature.

The temperature can be set within a range of 16°C-30°C/60°F-86°F.

Press the "FAN" button to choose the fan speed.

## DRY mode

Press the "MODE" button until the "Dry" indicator light comes on. In this mode, the fan speed or the temperature cannot be adjusted. The fan motor operates at Auto speed.

**NOTE:** Keep windows and doors closed for the best dehumidifying effect.  
Do not put the duct to window.

## FAN mode

Press the "MODE" button until the "FAN" indicator light comes on.

Press the "FAN SPEED" button on the remote controller to choose the fan speed. The temperature can not be adjusted.

Do not put the duct to window.

## 4. UP and DOWN buttons

Used to adjust (increasing/decreasing) temperature settings in 1°C/2°F (or 1°F) increments in a range of 16°C/60°F to 30°C/88°F (or 86°F).

**NOTE:** The control is capable of displaying temperature in degrees Fahrenheit or degrees Celsius. To convert from one to the other, press and hold the Up and Down buttons at the same time for 3 seconds.

## 5. Display

Shows the set temperature while on Cool, or Auto mode. It shows the room temperature on DRY and FAN modes.

### Shows Error codes:

EH00-EEPROM error.

EH60-Room temperature sensor error.

EH61-Evaporator temperature sensor error.

EC52-Condenser temperature sensor error (on some models).

EH0b-Display panel communication error.

Shows protection code:

P1-Bottom tray is full--Connect the drain hose and drain the collected water away. If protection repeats, call for service.

**NOTE:** When one of the above malfunctions occurs, turn off the unit, and check for any obstructions. Restart the unit, if the malfunction is still present, turn off the unit and unplug the power cord. Contact the manufacturer, its service agents or a similar qualified person for service.

## 6. FRESH operation(on some models)

Press MODE and DOWN (-) buttons at the same time for 3 seconds to initiate FRESH feature and the FRESH light illuminates on some models, the LED DISPLAY shows "On" for 3 seconds. The ion generator is energized and will help to purify the air inside. Press it for 3 seconds again to stop the FRESH feature and the FRESH light turn dark on some models, the LED DISPLAY shows "OF" for 3 seconds for some units.

## 7. Other features

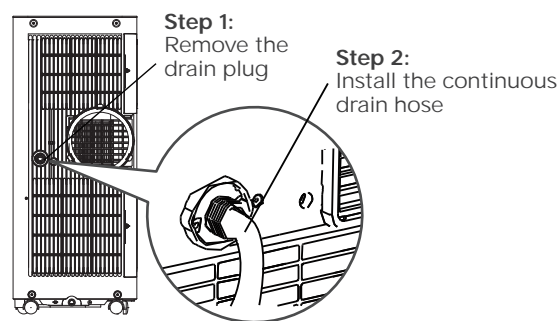
### FOLLOW ME/TEMP SENSING feature (On some models)

This feature can be activated from the remote control ONLY. There is no indicator light on the control panel. The remote control serves as a remote thermostat allowing for the precise temperature control at its location. To activate the Follow Me/Temp Sensing feature, point the remote control towards the unit and press the Follow Me/Temp Sensing button. The remote control will send this signal to the AC until press the Follow Me/Temp Sensing button again. If the unit does not receive the Follow Me/Temp Sensing signal during any 7 minutes interval, the unit will exit the Follow Me/Temp Sensing mode.

NOTE: This feature is unavailable under FAN or DRY mode.

# DRAINAGE GUIDE

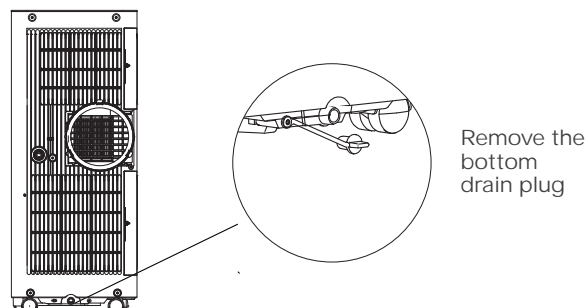
## Dehumidifying Mode Drainage Guide



During dehumidifying modes, remove the drain plug from the back of the unit, install the drain connector (5/8" universal female mender) with 3/4" hose (locally purchased). For the models without drain connector, just attach the drain hose to the hole. Place the open end of the hose directly over the drain area in your basement floor.

**NOTE:** Make sure the hose is secure so there are no leaks. Direct the hose toward the drain, making sure that there are no kinks that will stop the water flowing. Place the end of the hose into the drain and make sure the end of the hose is down to let the water flow smoothly. When the continuous drain hose is not used, ensure that the drain plug is installed firmly to prevent leakage.

## Water collection tray Drainage Guide



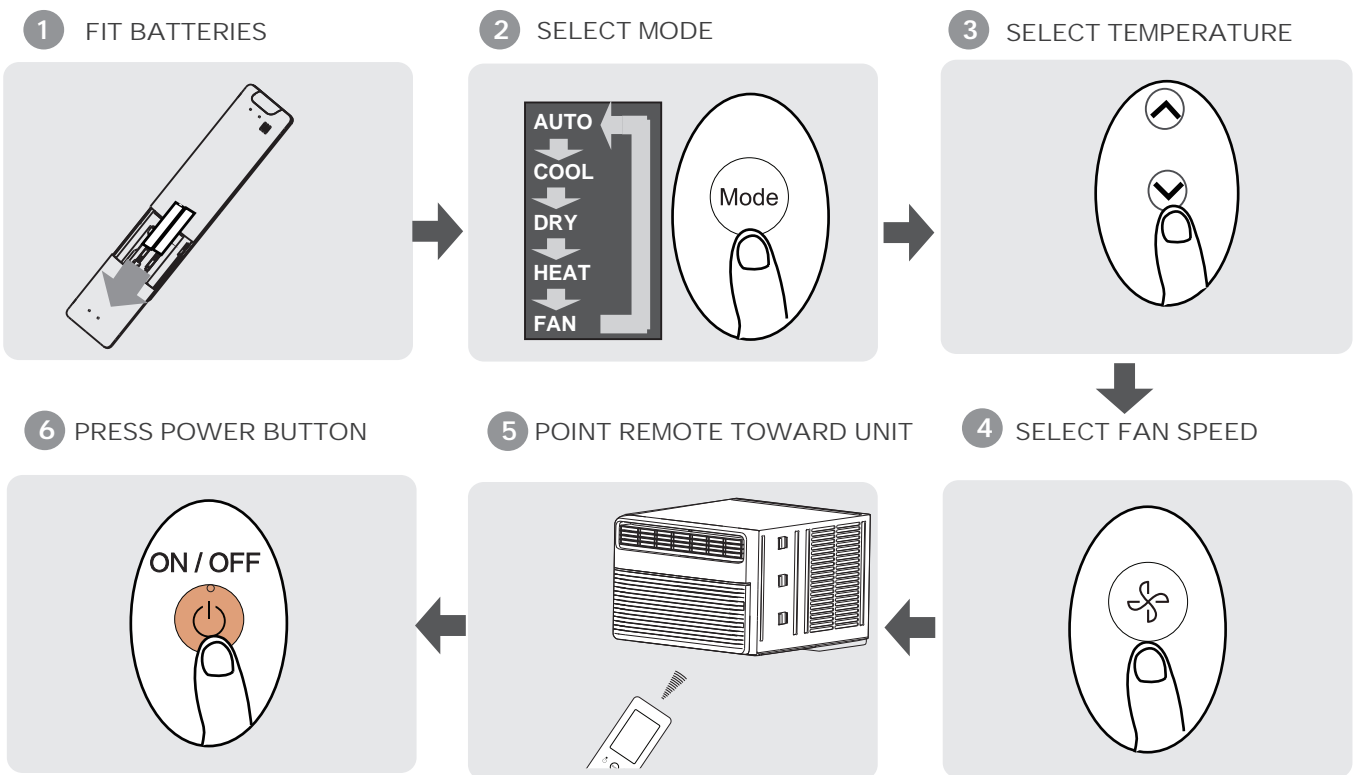
When the water level of the bottom tray reaches a predetermined level, the unit beeps 8 times, the digital display area shows "P1". At this time the air conditioning/dehumidification process will immediately stop. However, the fan motor will continue to operate (this is normal). Carefully move the unit to a drain location, remove the bottom drain plug and let the water drain away. Reinstall the bottom drain plug and restart the machine until the "P1" symbol disappears. If the error repeats, call for service.

**NOTE:** Be sure to reinstall the bottom drain plug firmly to prevent leakage before using the unit.

# Remote Controller Specifications

<b>Model</b>	RG10G(B2)/BGEFU1, RG10G1(B2)/BGEFU1, RG10G2(B2)/BGEFU1, RG10G3(B2)/BGEFU1, RG10F(B2)/BGEF, RG10F1(B2)/BGEF, RG10F2(B2)/BGEFU1, RG10F3(B2)/BGEFU1, RG10F1(B2)/BGCEF, RG10F3(B2)/BGCEFU1, RG10G1(B2)/BGCEFU1, RG10G3(B2)/BGCEFU1
<b>Rated Voltage</b>	3.0V( Dry batteries R03/LR03×2)
<b>Signal Receiving Range</b>	8m
<b>Environment</b>	-5°C-60°C(23°F-140°F)

## Quick Start Guide



### NOT SURE WHAT A FUNCTION DOES?

Refer to the **How to Use Basic Functions** and **How to Use Advanced Functions** sections of this manual for a detailed description of how to use your air conditioner.

### SPECIAL NOTE

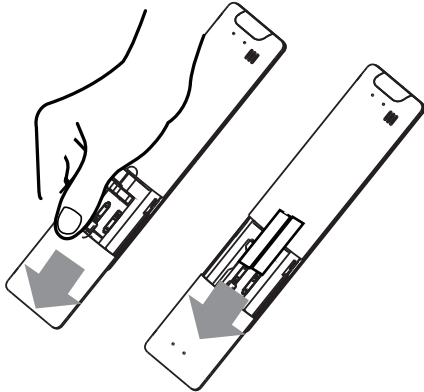
- Button designs on your unit may differ slightly from the example shown.
- If the indoor unit does not have a particular function, pressing that function's button on the remote control will have no effect.
- When there are wide differences between "Remote controller Manual" and "USER'S MANUAL" on function description, the description of "USER'S MANUAL" shall prevail.

# Handling the Remote Controller

## Inserting and Replacing Batteries

Your air conditioning unit may come with two batteries(not all units). Put the batteries in the remote control before use.

1. Slide the back cover from the remote control downward, exposing the battery compartment.
2. Insert the batteries, paying attention to match up the (+) and (-) ends of the batteries with the symbols inside the battery compartment.
3. Slide the battery cover back into place.



## Remote Control

- Direct sunlight can interfere with the infrared signal receiver.
- There must be a clear line of sight between the remote and the device.
- If the signals from the remote control happen to control another appliance, move the appliance to another location or contact customer service.

## ! Battery Disposal

- Do not dispose of batteries as unsorted municipal waste. Refer to local laws for proper disposal of batteries.
- Batteries may have a chemical symbol at the bottom of the disposal icon. This chemical symbol means that the battery contains a heavy metal that exceeds a certain concentration. An example is Pb: Lead (>0.004%).
- Appliances and used batteries must be treated in a specialized facility for reuse, recycling and recovery. By ensuring correct disposal, you will help avoid possible negative consequences for the environment and human health.



## Battery Performance

For optimal product performance:

- Do not mix old and new batteries, or batteries of different brands.
- Do not leave batteries in the remote control if you don't plan on using the device for more than 2 months.

## NOTES FOR USING REMOTE CONTROL

The device could comply with the local national regulations.

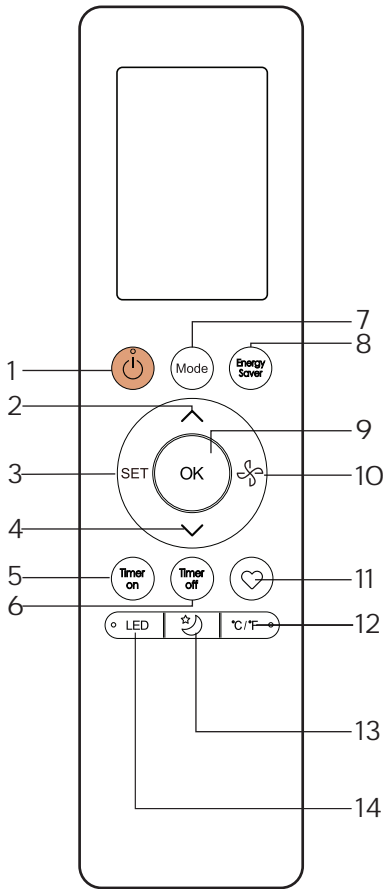
- In Canada, it should comply with CAN ICES-3(B)/NMB-3(B).
- In USA, this device complies with part 15 of the FCC Rules. Operation is subject to the following two conditions:
  - (1) This device may not cause harmful interference, and
  - (2) this device must accept any interference received, including interference that may cause undesired operation.

This equipment has been tested and found to comply with the limits for a Class B digital device, pursuant to part 15 of the FCC Rules. These limits are designed to provide reasonable protection against harmful interference in a residential installation. This equipment generates, uses and can radiate radio frequency energy and, if not installed and used in accordance with the instructions, may cause harmful interference to radio communications. However, there is no guarantee that interference will not occur in a particular installation. If this equipment does cause harmful interference to radio or television reception, which can be determined by turning the equipment off and on, the user is encouraged to try to correct the interference by one or more of the following measures:

- Reorient or relocate the receiving antenna.
- Increase the separation between the equipment and receiver.
- Connect the equipment into an outlet on a circuit different from that to which the receiver is connected.
- Consult the dealer or an experienced radio/TV technician for help.
- Changes or modifications not approved by the party responsible for compliance could void user's authority to operate the equipment.

## Buttons and Functions

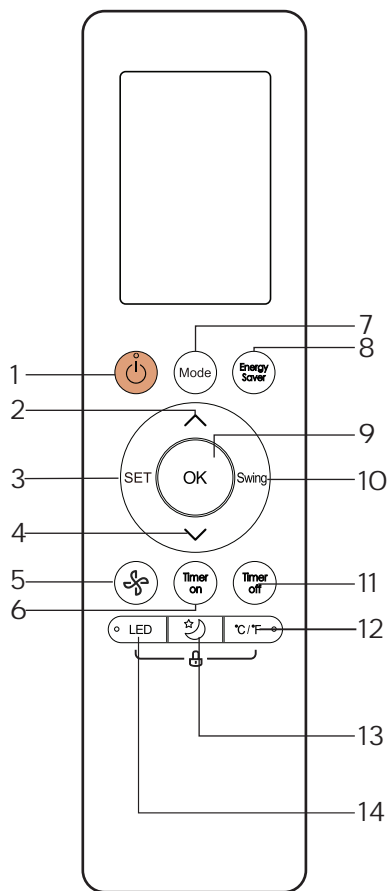
Before you begin using your new air conditioner, make sure to familiarize yourself with its remote control. The following is a brief introduction to the remote control itself. For instructions on how to operate your air conditioner, refer to the **How to Use Basic Functions** section of this manual.



### Model:

RG10G(B2)/BGEFU1  
 ( Fresh feature is not available)  
 RG10G1(B2)/BGEFU1  
 RG10G1(B2)/BGCEFU1  
 (Cooling only model, HEAT mode are not available)

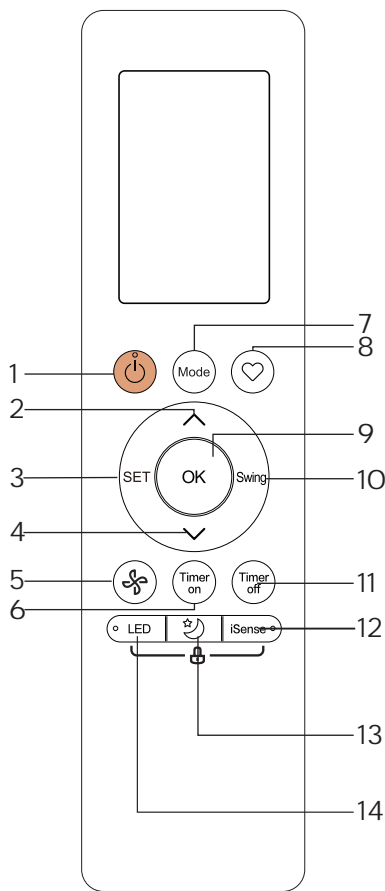
Description	
No.1	<b>ON/OFF</b> Turns the unit on or off.
No.2	<b>TEMP</b> Increases temperature in 1°F (1°C) increments. Max. temperature is 86°F (30°C).
No.3	<b>SET</b> <b>SET</b> Scrolls through operation functions as follows: Fresh ( ∅ )→I SENSE( ⌘ )→AP mode( Ⓢ )→Fresh... The selected symbol will flash on the display area, press the OK button to confirm.
No.4	<b>TEMP</b> Decreases temperature in 1°F(1°C) increments. Min. temperature is 60°F (16°C). NOTE: Press together  &  buttons at the same time for 3 seconds will alternate the temperature display between the °C & °F.
No.5	<b>TIMER ON</b> Sets timer to turn unit on (see How to Use Basic Functions for instructions).
No.6	<b>TIMER OFF</b> Sets timer to turn unit off (see How to Use Basic Functions for instructions).
No.7	<b>MODE</b> Scrolls through operation modes as follows: AUTO→COOL→DRY→HEAT→FAN NOTE: Please do not select HEAT mode if the machine you purchased is cooling only type.Heat mode is not supported by the cooling only appliance.
No.8	<b>ENERGY SAVER</b> Press this button to activate the Energy saving mode. Press it again to stop the function.
No.9	<b>OK</b> <b>OK</b> Used to confirm the selected functions
No.10	<b>FAN SPEED</b> Selects fan speeds in the following order:AUTO→LOW→MED→HIGH
No.11	<b>SHORTCUT</b> Used to restore the current settings or resume previous settings.
No.12	<b>°C/°F</b> <b>°C/°F</b> The temperature display between the °C & °F.
No.13	<b>SLEEP</b> Saves energy during sleeping hours.
No.14	<b>LED</b> <b>LED</b> Turns indoor unit's LED display and air conditioner buzzer on and off (model dependent), which create a comfortable and quiet environment.



**Model:**

RG10G2(B2)/BGEFU1  
 ( Fresh feature is not available)  
 RG10G3(B2)/BGEFU1  
 RG10G3(B2)/BGCEFU1  
 (Cooling only model, HEAT mode are not available)

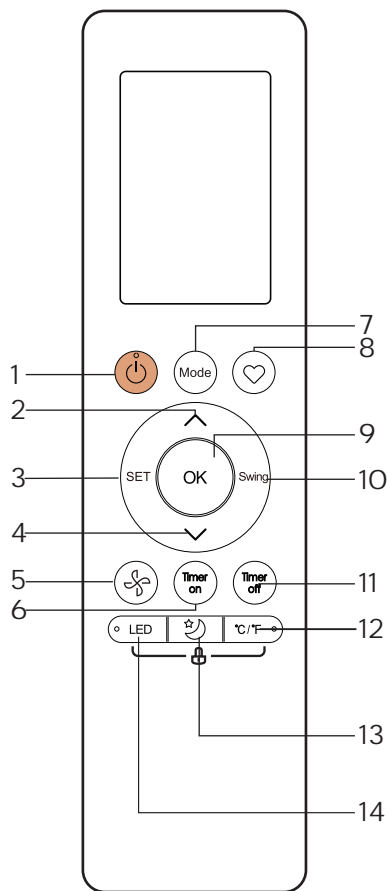
Description	
No.1	<b>ON/OFF</b> Turns the unit on or off.
No.2	<b>TEMP</b> Increases temperate in 1°F (1°C) increments. Max. temperature is 86°F (30°C).
No.3	<b>SET</b> <b>SET</b> Scrolls through operation functions as follows: Fresh ( )→I SENSE( )→AP mode( )→Fresh... The selected symbol will flash on the display area, press the OK button to confirm.
No.4	<b>TEMP</b> Decreases temperature in 1°F(1°C) increments. Min. temperature is 60°F (16°C).
No.5	<b>FAN SPEED</b> Selects fan speeds in the following order:AUTO→LOW→MED→HIGH
No.6	<b>TIMER ON</b> Sets timer to turn unit on (see How to Use Basic Functions for instructions).
No.7	<b>MODE</b> Scrolls through operation modes as follows: AUTO→COOL→DRY→HEAT→FAN NOTE: Please do not select HEAT mode if the machine you purchased is cooling only type.Heat mode is not supported by the cooling only appliance.
No.8	<b>ENERGY SAVER</b> Press this button to activate the Energy saving mode. Press it again to stop the funtion.
No.9	<b>OK</b> <b>OK</b> Used to confirm the selected functions
No.10	<b>SWING</b> Starts and stops the horizontal louver movement.
No.11	<b>TIMER OFF</b> Sets timer to turn unit off (see How to Use Basic Functions for instructions).
No.12	<b>°C/°F</b> <b>°C/°F</b> The temperature display between the °C & °F.
No.13	<b>SLEEP</b> Saves energy during sleeping hours.
No.14	<b>LED</b> <b>LED</b> Turns indoor unit's LED display and air conditioner buzzer on and off (model dependent), which create a comfortable and quiet environment.



**Model:**

RG10F(B2)/BGEF  
 ( Fresh feature is not available)  
 RG10F1(B2)/BGEF  
 RG10F1(B2)/BGCEF  
 (Cooling only model, HEAT mode are not available)

Description	
No.1	<b>ON/OFF</b> Turns the unit on or off.
No.2	<b>TEMP</b> Increases temperate in °C increments. Max. temperature is 30°C.
No.3	<b>SET SET</b> Scrolls through operation functions as follows: Fresh (∅)→AP mode(📶)→Fresh... The selected symbol will flash on the display area, press the OK button to confirm.
No.4	<b>TEMP</b> Decreases temperature in 1°C increments. Min. temperature is 16°C. NOTE: Press together √&∧ buttons at the same time for 3 seconds will alternate the temperature display between the °C & °F.
No.5	<b>FAN SPEED</b> Selects fan speeds in the following order:AUTO→LOW→MED→HIGH
No.6	<b>TIMER ON</b> Sets timer to turn unit on (see How to Use Basic Functions for instructions).
No.7	<b>MODE</b> Scrolls through operation modes as follows: AUTO→COOL→DRY→HEAT→FAN NOTE: Please do not select HEAT mode if the machine you purchased is cooling only type.Heat mode is not supported by the cooling only appliance.
No.8	<b>SHORTCUT</b> Used to restore the current settings or resume previous settings.
No.9	<b>OK OK</b> Used to confirm the selected functions.
No.10	<b>Swing SWING</b> Starts and stops the horizontal louver movement. Hold down for 2 seconds to initiate vertical louver auto swing feature.
No.11	<b>TIMER OFF</b> Sets timer to turn unit off (see How to Use Basic Functions for instructions).
No.12	<b>iSense I SENSE</b> Press this button to activate the I SENSE mode.
No.13	<b>SLEEP</b> Saves energy during sleeping hours.
No.14	<b>LED LED</b> Turns indoor unit's LED display and air conditioner buzzer on and off (model dependent), which create a comfortable and quiet environment.



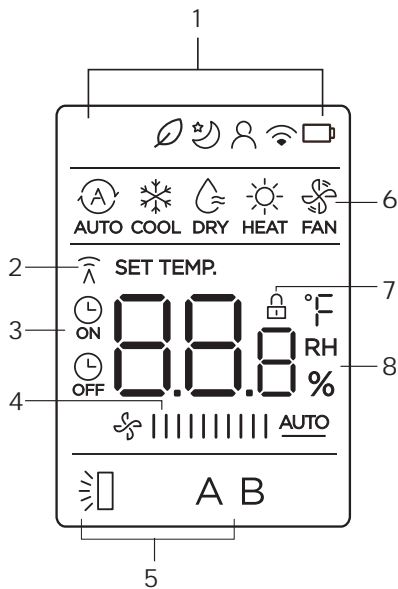
**Model:**

RG10F2(B2)/BGEFU1  
 ( Fresh feature is not available)  
 RG10F3(B2)/BGEFU1  
 RG10F3(B2)/BGCEFU1  
 (Cooling only model, HEAT mode are not available)

Description	
No.1	<b>ON/OFF</b> Turns the unit on or off.
No.2	<b>TEMP</b> Increases temperate in 1°F (1°C) increments. Max. temperature is 86°F (30°C).
No.3	<b>SET</b> <b>SET</b> Scrolls through operation functions as follows: Fresh (∅)→I SENSE(⊗)→AP mode(⊕)→Fresh... The selected symbol will flash on the display area, press the OK button to confirm.
No.4	<b>TEMP</b> Decreases temperature in 1°F(1°C) increments. Min. temperature is 60°F (16°C).
No.5	<b>FAN SPEED</b> Selects fan speeds in the following order:AUTO→LOW→MED→HIGH
No.6	<b>TIMER ON</b> Sets timer to turn unit on (see How to Use Basic Functions for instructions).
No.7	<b>MODE</b> Scrolls through operation modes as follows: AUTO→COOL→DRY→HEAT→FAN NOTE: Please do not select HEAT mode if the machine you purchased is cooling only type.Heat mode is not supported by the cooling only appliance.
No.8	<b>SHORTCUT</b> Used to restore the current settings or resume previous settings.
No.9	<b>OK</b> <b>OK</b> Used to confirm the selected functions.
No.10	<b>Swing</b> <b>SWING</b> Starts and stops the horizontal louver movement. Hold down for 2 seconds to initiate vertical louver auto swing feature.
No.11	<b>TIMER OFF</b> Sets timer to turn unit off (see How to Use Basic Functions for instructions).
No.12	<b>°C/°F</b> <b>°C/°F</b> The temperature display between the °C & °F.
No.13	<b>SLEEP</b> Saves energy during sleeping hours.
No.14	<b>LED</b> <b>LED</b> Turns indoor unit's LED display and air conditioner buzzer on and off (model dependent), which create a comfortable and quiet environment.

## Remote Screen Indicators

Information are displayed when the remote controller is power up.



No.1	<ul style="list-style-type: none"> <li> Fresh feature display</li> <li> Sleep mode display</li> <li> I Sence feature display</li> <li> Wireless control feature display</li> <li> Low battery detection display (If flashes)</li> </ul>
No.2	<p><b>Transmission Indicator</b> Lights up when remote sends signal to indoor unit</p>
No.3	<p> <b>ON</b>                       <b>OFF</b> <b>TIMER ON display</b>    <b>TIMER OFF display</b></p>
No.4	<p><b>FAN SPEED display</b> Displays selected fan speed:</p> <p>LOW       </p> <p>MED       </p> <p>HIGH       </p> <p>AUTO        <b>AUTO</b></p> <p>This fan speed can not be adjusted in AUTO or DRY mode.</p>
No.5	<p> <b>Horizontal louver auto swing display</b></p> <p>A B Not available for this unit</p>
No.6	<p><b>MODE display</b> Displays the current mode, including:</p> <p>  AUTO COOL DRY HEAT FAN</p>
No.7	<p><b>LOCK display</b> Displays when LOCK feature is activated.</p>
No.8	<p><b>Temperature/Timer/Fan speed display</b> Displays the set temperature by default, or fan speed or timer setting when using TIMER ON/OFF functions.</p> <ul style="list-style-type: none"> <li>• Temperature range: 16-30°C/60-86°F</li> <li>• Timer setting range: 0-24 hours</li> </ul> <p>This display is blank when operating in FAN mode.</p>

### Note:

All indicators shown in the figure are for the purpose of clear presentation. But during the actual operation, only the relative function signs are shown on the display window.

## How to Use Basic Functions

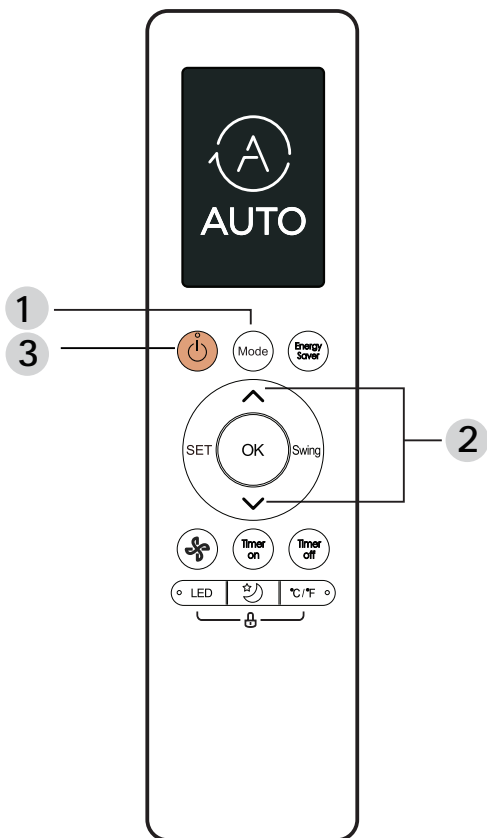
### Basic operation

**ATTENTION!** Before operation, please ensure the unit is plugged in and power is available.

#### SETTING TEMPERATURE

The operating temperature range for units is 60-86°F (16-30°C). You can increase or decrease the set temperature in 1°F (1°C) increments.

#### AUTO Mode

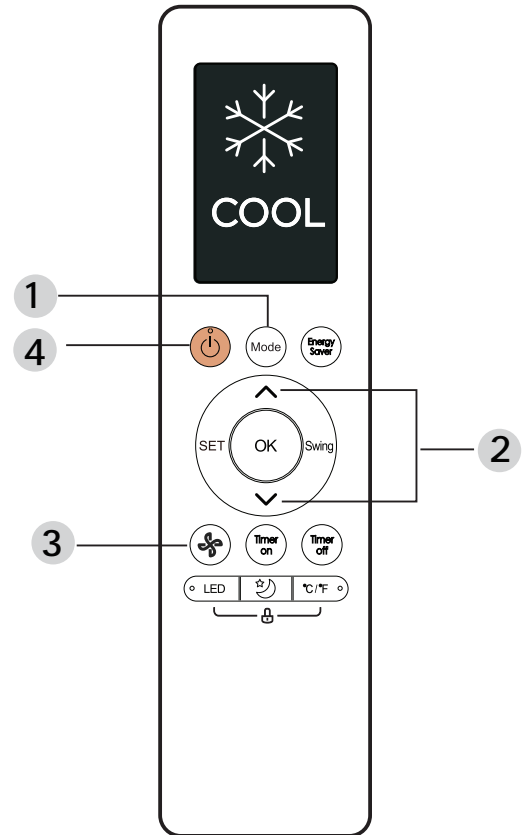


In AUTO mode, the unit will automatically select the COOL, FAN, or HEAT function based on the set temperature.

1. Press the **MODE** button to select **AUTO**.
2. Set your desired temperature using the **TEMP ^** or **TEMP v** button.
3. Press the **ON/OFF** button to start the unit.

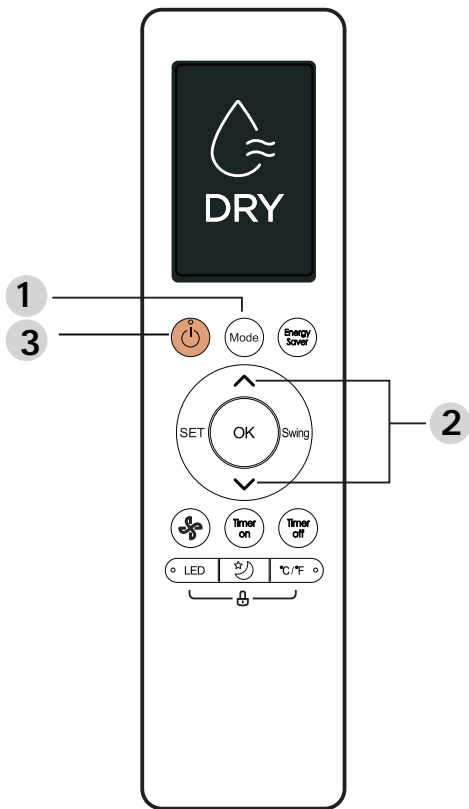
**NOTE:** FAN SPEED can't be set in AUTO mode.

#### COOL Mode



1. Press the **MODE** button to select **COOL** mode.
2. Set your desired temperature using the **TEMP ^** or **TEMP v** button.
3. Press **FAN** button to select the fan speed: **AUTO**, **LOW**, **MED** or **HIGH**.
4. Press the **ON/OFF** button to start the unit.

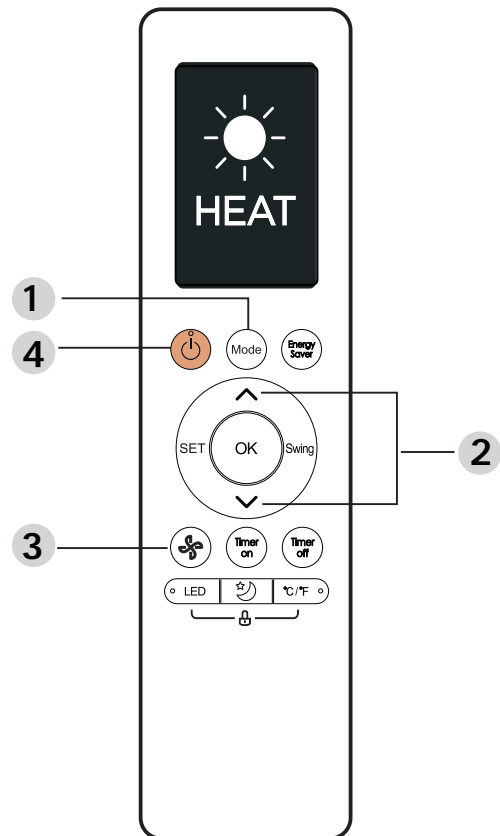
## DRY Mode (dehumidifying)



1. Press the **MODE** button to select **DRY**.
2. Set your desired temperature using the **TEMP ^** or **TEMP v** button.
3. Press the **ON/OFF** button to start the unit.

**NOTE:** FAN SPEED cannot be changed in DRY mode.

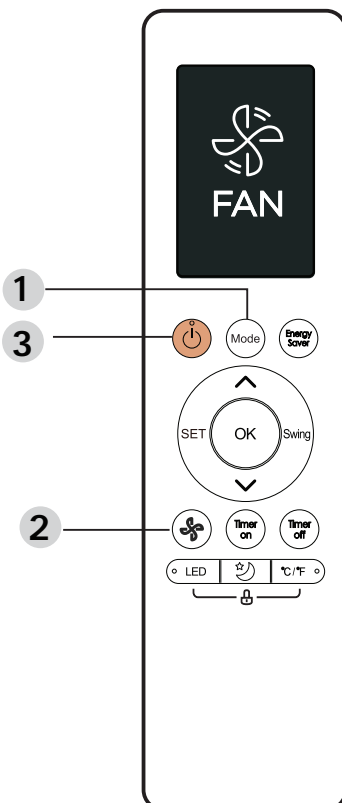
## HEAT Mode



1. Press the **MODE** button to select **HEAT** mode.
2. Set your desired temperature using the **TEMP ^** or **TEMP v** button.
3. Press **FAN** button to select the fan speed: AUTO, LOW, MED, HIGH.
4. Press the **ON/OFF** button to start the unit.

**NOTE:** As outdoor temperature drops, the performance of your unit's HEAT function may be affected. In such instances, we recommend using this air conditioner in conjunction with other heating appliances.

## FAN Mode



1. Press the **MODE** button to select **FAN** mode.
2. Press **FAN** button to select the fan speed: AUTO, LOW, MED, HIGH.
3. Press the **ON/OFF** button to start the unit.

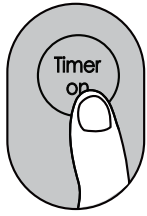
**NOTE:** You can't set temperature in FAN mode. As a result, your remote control's LCD screen will not display temperature.

## Setting the TIMER

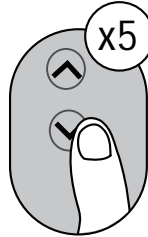
**TIMER ON/OFF** - Set the amount of time after which the unit will automatically turn on/off.

### TIMER ON setting

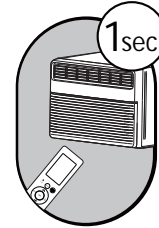
Press TIMER ON button to initiate the ON time sequence.



Press up or down button for multiple times to set the desired time to turn on the unit.

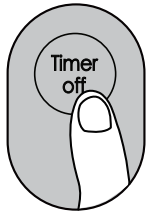


Point remote to unit and wait 1sec, the TIMER ON will be activated.

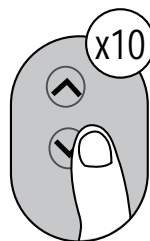


### TIMER OFF setting

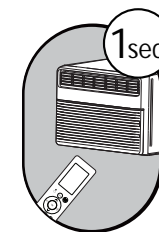
Press TIMER OFF button to initiate the OFF time sequence.



Press Temp. up or down button for multiple times to set the desired time to turn off the unit.



Point remote to unit and wait 1sec, the TIMER OFF will be activated.

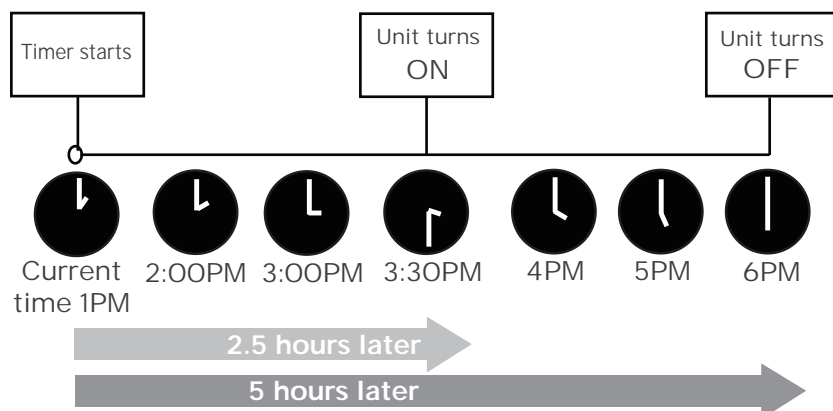
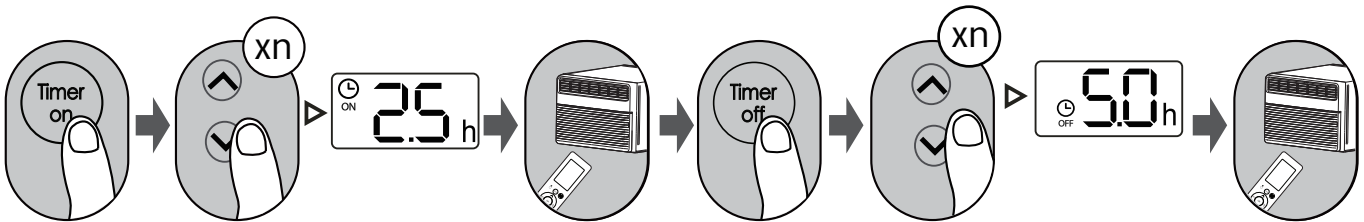


#### NOTE:

1. When setting the TIMER ON or TIMER OFF, the time will increase by 30 minutes increments with each press, up to 10 hours. After 10 hours and up to 24, it will increase in 1 hour increments. (For example, press 5 times to get 2.5h, and press 10 times to get 5h.) The timer will revert to 0.0 after 24.
2. Cancel either function by setting its timer to 0.0h.

### TIMER ON & OFF setting(example)

Keep in mind that the time periods you set for both functions refer to hours after the current time.

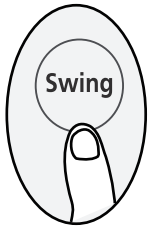


Example: If current timer is 1:00PM, to set the timer as above steps, the unit will turn on 2.5h later (3:30PM) and turn off at 6:00PM.

## How to Use Advanced Functions

### Swing function

Press Swing button



The horizontal louver will swing up and down automatically when pressing Swing button. Press again to make it stop.

### SHORTCUT function (some models)

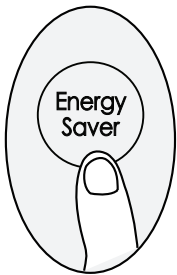
Press SHORTCUT button



Push this button when remote controller is on, the system will automatically revert back to the previous settings including operating mode, setting temperature, fan speed level and sleep feature (if activated).

If pushing more than 2 seconds, the system will automatically restore the current operation settings including operating mode, setting temperature, fan speed level and sleep feature (if activated).

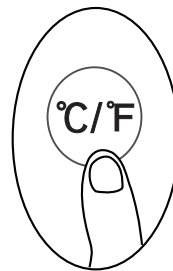
### ENERGY SAVER function (some models)



Press Energy saver button to turn on this function.

This function is available on COOL, DRY, AUTO modes.

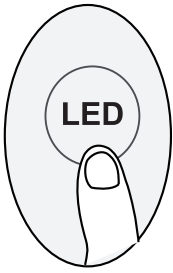
### °C/°F (some models)



Press this button will alternate the temperature display between the °C & °F.

## LED DISPLAY

Press LED button



Press this button to turn on and turn off the display on the indoor unit.

## SLEEP Function

Press SLEEP button

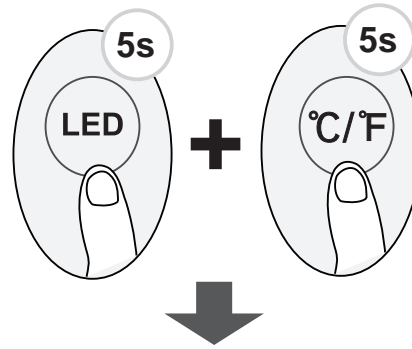


The SLEEP function is used to decrease energy while you sleep (and don't need the same temperature settings to stay comfortable). This function can only be activated via remote control.

For the details, please see "sleep operation" in "USER'S MANUAL".

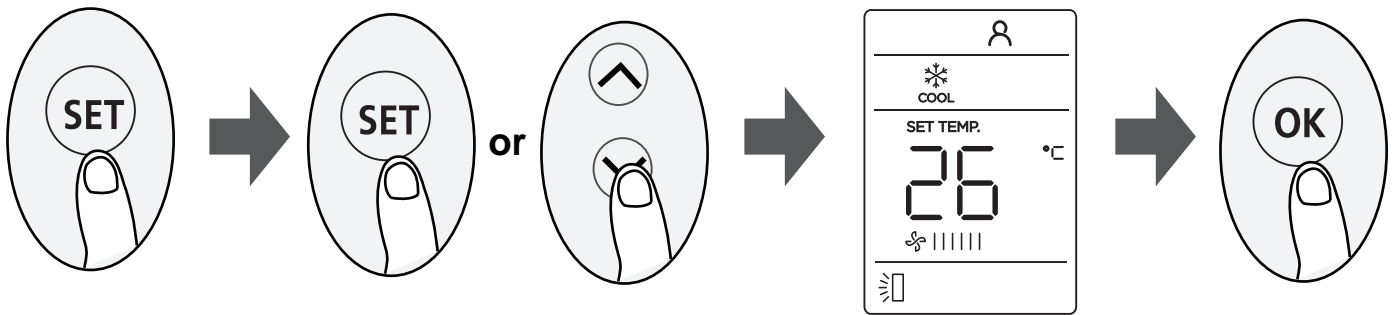
**Note:** The SLEEP function is not available in FAN or DRY mode.

## LOCK function



Press together **LED** button and **°C/°F** button at the same time more than 5 seconds to activate Lock function.

All buttons will not respond except pressing these two buttons for two seconds again to disable locking.



- Press the SET button to enter the function setting, then press SET button or TEMP▼ or TEMP▲ button to select the desired function. The selected symbol will flash on the display area, press the OK button to confirm.
- To cancel the selected function, just perform the same procedures as above.
- Press the SET button to scroll through operation functions as follows:  
 Fresh\* (🌿) → I SENSE (👤) → AP mode (📶)  
 [\*]: If your remote controller has Fresh button, you can not use the SET button to select Fresh feature.

**FRESH function (🌿) (some units) :**

When the FRESH function is initiated, the Ionizer/Plasma Dust Collector (depending on models) is energized and will help to remove pollen and impurities from the air

**I SENSE function (👤) :**

The I SENSE function enables the remote control to measure the temperature at its current location and send this signal to the air conditioner every 3 minutes interval. When using AUTO, COOL or HEAT modes, measuring ambient temperature from the remote control (instead of from the indoor unit itself) will enable the air conditioner to optimize the temperature around you and ensure maximum comfort.

**AP function (📶) (some units) :**

Choose AP mode to do wireless network configuration. For some units, it doesn't work by pressing the SET button. To enter the AP mode, continuously press the LED button seven times in 10 seconds.

# CLEANING AND MAINTENANCE

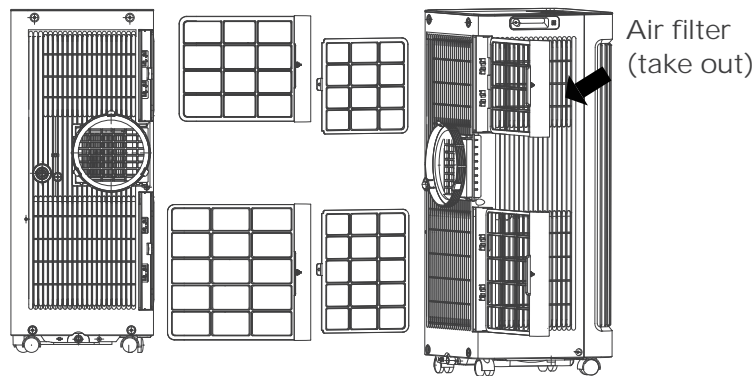
## How to clean & maintenance your AC.

### Air Filter & Cabinet Cleaning

Clean the unit using a damp, lint-free cloth and mild detergent. Dry the unit with a dry, lint-free cloth.

### Maintenance Tips

- Be sure to clean the air filter every 2 weeks for optimal performance.
- The water collection tray should be drained immediately after P1 error occurs, and before storage to prevent mold.
- In households with animals, you will have to periodically wipe down the grill to prevent blocked airflow due to animal hair.



Remove the air filter

### CAUTION:

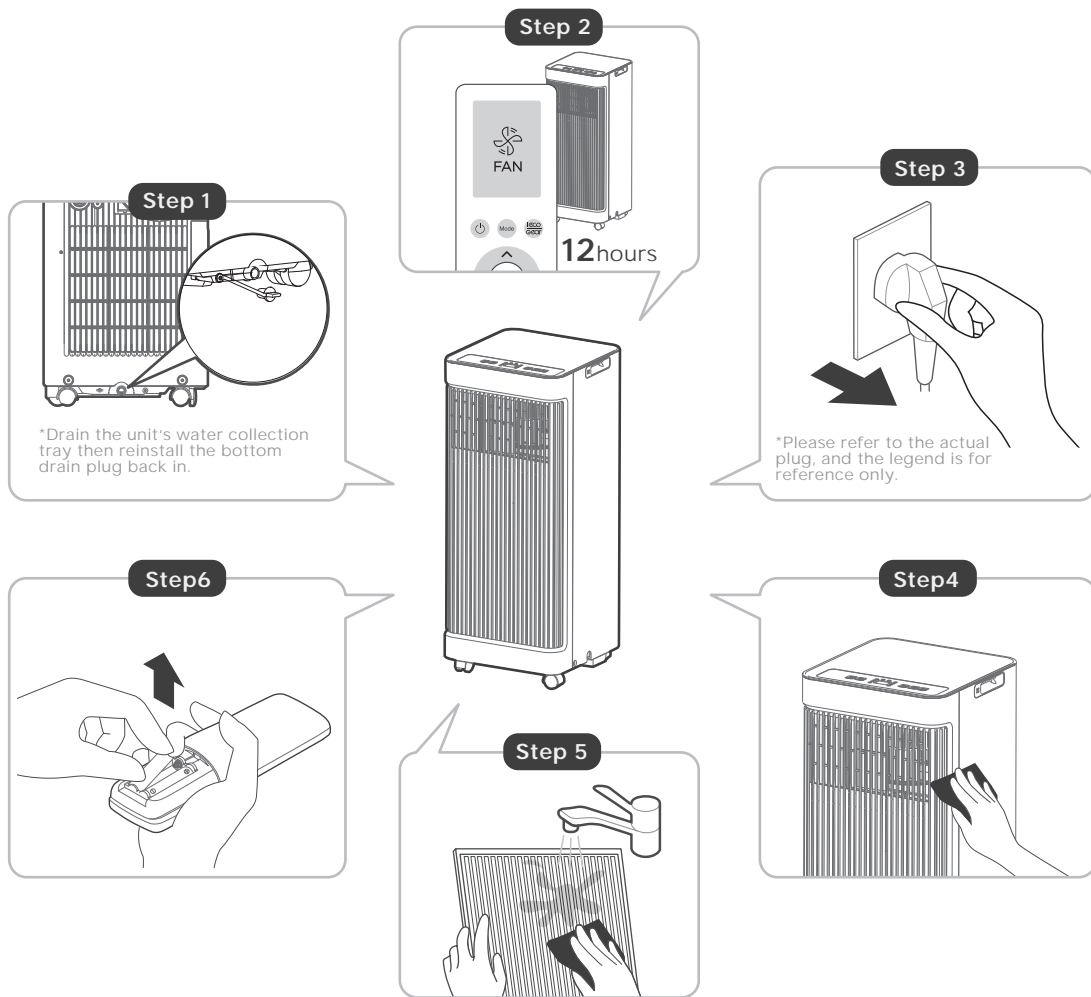


- Always unplug the unit before cleaning or servicing.
- DO NOT use flammable liquids or chemicals to clean the unit.
- DO NOT wash the unit under running water. Doing so causes electrical danger.
- DO NOT operate the machine if the power supply was damaged during cleaning. A damaged power cord must be replaced with a new cord from the manufacturer.

### ⚠ CAUTION

DO NOT operate the unit without filter because dirt and lint will clog it and reduce performance.

# STORE THE UNIT WHEN NOT IN USE



- Drain the unit's water collection tray according to the instructions in the following section.
- Run the appliance on FAN mode for 12 hours in a warm room to dry it and prevent mold.
- Turn off the appliance and unplug it.
- Clean the air filter according to the instructions in the previous section. Reinstall the clean, dry filter before storing.
- Remove the batteries from the remote control.

## NOTE


Note: Be sure to store the unit in a cool, dark place. Exposure to direct sunshine or extreme heat can shorten the lifespan of the unit.

Note: The cabinet and front may be dusted with an oil-free cloth or washed with a cloth dampened in a solution of warm water and mild liquid dishwashing detergent. Rinse thoroughly and wipe dry. Never use harsh cleansers, wax or polish on the cabinet front. Be sure to wring excess water from the cloth before wiping around the controls. Excess water in or around the controls may cause damage to the unit.

# TROUBLESHOOTING

Problem	Possible Causes	Solution
<b>Unit does not turn on when pressing ON/OFF button</b>	P1 Protection Code	The Water Collection Tray is full. Turn off the unit, drain the water from the Water Collection Tray and restart the unit.
	In COOL mode: room temperature is lower than the set temperature	Reset the temperature
<b>Unit does not cool well</b>	The air filter is blocked with dust or animal hair	Turn off the unit and clean the filter according to instructions
	Exhaust hose is not connected or is blocked	Turn off the unit, disconnect the hose, check for blockage and reconnect the hose
	The unit is low on refrigerant	Call a service technician to inspect the unit and top off refrigerant
	Temperature setting is too high	Decrease the set temperature
	The windows and doors in the room are open	Make sure all windows and doors are closed
	The room area is too large	Double-check the cooling area
	There are heat sources inside the room	Remove the heat sources if possible
<b>The unit is noisy and vibrates too much</b>	The ground is not level	Place the unit on a flat, level surface
	The air filter is blocked with dust or animal hair	Turn off the unit and clean the filter according to instructions
<b>The unit makes a gurgling sound</b>	This sound is caused by the flow of refrigerant inside the unit	This is normal

# TRADEMARKS, COPYRIGHTS AND LEGAL STATEMENT

 Midea logo, word marks, trade name, trade dress and all versions thereof are valuable assets of Midea Group and/or its affiliates (“Midea”), to which Midea owns trademarks, copyrights and other intellectual property rights, and all goodwill derived from using any part of an Midea trademark. Use of Midea trademark for commercial purposes without the prior written consent of Midea may constitute trademark infringement or unfair competition in violation of relevant laws.

This manual is created by Midea and Midea reserves all copyrights thereof. No entity or individual may use, duplicate, modify, distribute in whole or in part this manual, or bundle or sell with other products without the prior written consent of Midea.

All the described functions and instructions were up to date at the time of printing this manual. However, the actual product may vary due to improved functions and designs.

## DISPOSAL AND RECYCLING

### **Important instructions for environment(European Disposal Guidelines)**

Compliance with the WEEE Directive and Disposing of the Waster Product:  
This product complies with EU WEEE Directive. This product bears a classification symbol for waster electrical and electronic equipment (WEEE).

This symbol indicates that this product shall not be disposed with other household wastes at the end of its service life. Used device must be returned to official collection point for recycling of electrical electronic devices. To find these collection systems please contact to your local authorities or retailer where the product was purchased. Each household performs important role in recovering and recycling of old appliance. Appropriate disposal of used appliance helps prevent potential negative consequences for the environment and human health.



# DATA PROTECTION NOTICE

For the provision of the services agreed with the customer, we agree to comply without restriction with all stipulations of applicable data protection law, in line with agreed countries within which services to the customer will be delivered, as well as, where applicable, the EU General Data Protection Regulation (GDPR).

Generally, our data processing is to fulfil our obligation under contract with you and for product safety reasons, to safeguard your rights in connection with warranty and product registration questions. In some cases, but only if appropriate data protection is ensured, personal data might be transferred to recipients located outside of the European Economic Area.

Further information are provided on request. You can contact our Data Protection Officer via **MideaDPO@midea.com**. To exercise your rights such as right to object your personal data being processed for direct marketing purposes, please contact us via **MideaDPO@midea.com**. To find further information, please follow the QR Code.

The design and specifications are subject to change without prior notice for product improvement. Consult with the sales agency or manufacturer for details. Any updates to the manual will be uploaded to the service website, please check for the latest version.

Importer: MIDEA AIR CONDITIONING AUSTRALIA

Manufacturer: GD Midea Air-Conditioning Equipment Co.,Ltd.  
Lingang Road Beijiao Shunde Foshan Guangdong  
People's Republic of China 528311



*make yourself at home*



<https://www.midea.com/au>  
<https://www.mdhome.com.au>  
© Midea 2022 all rights reserved

CPO02UI-PA  
16122000A82596  
20240510