

UPRIGHT FREEZER OWNER'S MANUAL MANUEL D'UTILISATION DU CONGÉLATEUR VERTICAL MANUAL DEL USUARIO DEL CONGELADOR VERTICAL

Table of Contents/Table des matières/Índice

<p>FREEZER SAFETY 2</p> <p>Freezer Safety 2</p> <p>MAINTENANCE AND CARE 3</p> <p>Cleaning Your Frost-Free Freezer (on some models) 3</p> <p>Defrosting and Cleaning Your Manual Defrost Freezer (on some models) 4</p> <p>Changing the Light Bulb 5</p> <p>Key Eject Lock 5</p> <p>Ensuring Proper Air Circulation 5</p> <p>Power Interruptions 5</p> <p>Moving Care 5</p> <p>INSTALLATION INSTRUCTIONS 6</p> <p>Unpacking Your Freezer 6</p> <p>Electrical Requirements 6</p> <p>Location Requirements 6</p> <p>Water Supply Requirements (on some models) 7</p> <p>Connect the Water Supply 7</p> <p>Freezer Door 8</p> <p>Freezer Leveling and Door Closing 9</p> <p>Remove and Replace the Handle (on some models) 10</p> <p>Refrigerator Shelves 11</p>	<p>SÉCURITÉ DU CONGÉLATEUR 12</p> <p>Sécurité du congélateur 12</p> <p>ENTRETIEN ET RÉPARATION 13</p> <p>Nettoyage du congélateur sans givre (sur certains modèles) 13</p> <p>Dégivrage et nettoyage du congélateur à dégivrage manuel (sur certains modèles) 14</p> <p>Remplacer l'ampoule d'éclairage 15</p> <p>Serrure à éjection de clé 15</p> <p>Pour assurer une circulation d'air correcte 15</p> <p>Pannes de courant 15</p> <p>Précautions à prendre avant un déménagement 16</p> <p>INSTRUCTIONS D'INSTALLATION 16</p> <p>Déballage du congélateur 16</p> <p>Spécifications électriques 16</p> <p>Exigences d'emplacement 17</p> <p>Spécifications de l'alimentation en eau (sur certains modèles) 17</p> <p>Raccordement à la canalisation d'eau 17</p> <p>Porte du congélateur 19</p> <p>Nivellement du congélateur et fermeture de la porte 19</p> <p>Retrait et réinstallation de la poignée (sur certains modèles) 20</p> <p>Tablettes du réfrigérateur 22</p>	<p>SEGURIDAD DEL CONGELADOR 23</p> <p>Seguridad del congelador 23</p> <p>MANTENIMIENTO Y CUIDADO 24</p> <p>Cómo limpiar su congelador sin escarcha (en algunos modelos) 24</p> <p>Cómo descongelar y limpiar su congelador de descongelación manual (en algunos modelos) 25</p> <p>Cómo cambiar el foco 26</p> <p>Cerradura con mecanismo eyector de llave 26</p> <p>Cómo asegurar una circulación de aire adecuada 26</p> <p>Cortes de electricidad 26</p> <p>Cuidados en caso de mudanza 27</p> <p>INSTRUCCIONES DE INSTALACIÓN 27</p> <p>Desempacar su congelador 27</p> <p>Requisitos eléctricos 27</p> <p>Requisitos de ubicación 28</p> <p>Requisitos del suministro de agua (en algunos modelos) 28</p> <p>Conexión del suministro de agua 28</p> <p>Puerta del congelador 30</p> <p>Nivelación y cierre de la puerta del congelador 30</p> <p>Cómo quitar y volver a colocar la manija (en algunos modelos) 31</p> <p>Estantes del refrigerador 33</p>
---	--	---

FREEZER SAFETY

Your safety and the safety of others are very important.

We have provided many important safety messages in this manual and on your appliance. Always read and obey all safety messages.



This is the safety alert symbol.

This symbol alerts you to potential hazards that can kill or hurt you and others.

All safety messages will follow the safety alert symbol and either the word "DANGER" or "WARNING." These words mean:

▲ DANGER

You can be killed or seriously injured if you don't immediately follow instructions.

▲ WARNING

You can be killed or seriously injured if you don't follow instructions.

All safety messages will tell you what the potential hazard is, tell you how to reduce the chance of injury, and tell you what can happen if the instructions are not followed.

IMPORTANT SAFETY INSTRUCTIONS

WARNING: To reduce the risk of fire, electric shock, or injury to persons when using your appliance, follow basic precautions, including the following:

- Children should be supervised to ensure that they do not play with the appliance.
- This appliance is not intended for use by persons (including children) with reduced physical, sensory, or mental capabilities, or lack of experience and knowledge, unless they have been given supervision or instruction concerning use of the appliance by a person responsible for their safety.
- Do not use an extension cord.
- If power supply cord is damaged, it must be replaced by the manufacturer, its service agent, or a similarly qualified person in order to avoid a hazard.
- Connect to potable water supply only.
- This appliance is intended to be used in household and similar applications such as: staff kitchen areas in shops, offices, and other working environments; farm houses and by clients in hotels, motels, and other residential-type environments; bed and breakfast-type environments; and catering and similar non-retail applications.
- Do not store explosive substances such as aerosol cans with a flammable propellant in this appliance.
- Do not use replacement parts that have not been recommended by the manufacturer (e.g., parts made at home using a 3D printer).
- Keep ventilation openings, in the appliance enclosure or in the built-in structure, clear of obstruction.
- Do not use mechanical devices or other means to accelerate the defrosting process, other than those recommended by the manufacturer.
- Do not damage the refrigerant circuit.
- Do not use electrical appliances inside the food storage compartments of the appliance, unless they are of the type recommended by the manufacturer.
- Ice maker kit can be added to some models. See serial tag inside the food compartment of appliance for ice maker kit model information.
- A qualified service technician must install the water line and ice maker. See installation instructions supplied with ice maker kit for complete details.

SAVE THESE INSTRUCTIONS

Proper Disposal of Your Old Freezer

WARNING: Risk of child entrapment. Before you throw away your old refrigerator or freezer:

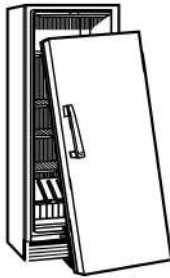
- Take off the doors.
- Leave the shelves in place so that children may not easily climb inside.

⚠WARNING

Suffocation Hazard

**Remove doors or lid from your old appliance.
Failure to do so can result in death or brain damage.**

IMPORTANT: Child entrapment and suffocation are not problems of the past. Junked or abandoned freezers or refrigerators, are still dangerous, even if they will sit for "just a few days." If you are getting rid of your old refrigerator or freezer, please follow these instructions to help prevent accidents.



Important information to know about disposal of refrigerants:

Dispose of freezer in accordance with federal and local regulations. Refrigerants must be evacuated by a licensed, EPA-certified refrigerant technician in accordance with established procedures.

MAINTENANCE AND CARE

Cleaning Your Frost-Free Freezer (on some models)

⚠WARNING



Explosion Hazard

**Risk of Fire or Explosion.
Flammable Refrigerant Used.
Do Not Use Mechanical Devices to Defrost Refrigerator.
Do Not Puncture Refrigerant Tubing.**

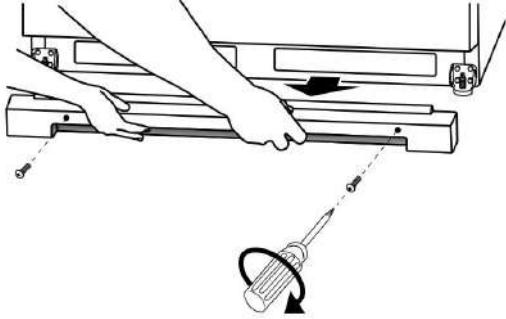
Frost-free means that you will not have to defrost your freezer. Frost is removed by air moving and collecting any moisture and depositing it on the cooling coil. The cooling coil periodically warms up enough to melt the frost and it then flows down to the drain pan (located behind the base grille) where it is evaporated.

Complete cleaning should be done at least once a year.

1. Press and hold Temp Setting for 3 seconds or turn knob to "0" to turn off cooling.
2. Unplug freezer or disconnect power.
3. Remove all frozen food. Wrap frozen food in several layers of newspaper and cover with a blanket. Food will stay frozen for several hours. You may also store frozen food in a cooler, additional refrigerator-freezer, or in a cool area.
4. Remove all removable parts from inside, such as shelves and bins.
5. Hand-wash, rinse, and dry removable parts and interior surfaces thoroughly. Use a clean sponge or soft cloth and a mild detergent in warm water.
 - Do not use abrasive or harsh cleaners such as window sprays, scouring cleansers, flammable fluids, cleaning waxes, concentrated detergents, bleaches, or cleansers containing petroleum products on plastic parts, interior, and door liners or gaskets. Do not use paper towels, scouring pads, or other harsh cleaning tools. These can scratch or damage materials.
 - To help remove odors, you can wash interior walls with a mixture of warm water and baking soda (2 tbs to 1 qt. [26 g to 0.95 L] of water).
6. Replace the removable parts.
7. Use the appropriate cleaning method for your exterior finish.

Painted metal: Wash exteriors with a clean sponge or soft cloth and a mild detergent in warm water. Do not use abrasive or harsh cleaners or cleaners designed for stainless steel. Dry thoroughly with a soft cloth.

- Remove the base grille by opening the freezer door and removing the two Phillips-head screws. Pull the grille toward you to remove.



Use a vacuum with an extended attachment to clean the condenser coils when they are dusty or dirty. Coils may need to be cleaned as often as every other month. This may help save energy.

- Replace the base grille by aligning the ends of the grille with the leveling assemblies on each side and snapping the grille into place. Reinstall the screws.
- Replace all frozen food.
- Plug in freezer or reconnect power.
- Set temperature control to desired setting.

Defrosting and Cleaning Your Manual Defrost Freezer (on some models)

⚠ WARNING



Explosion Hazard

- Risk of Fire or Explosion.**
- Flammable Refrigerant Used.**
- Do Not Use Mechanical Devices to Defrost Refrigerator.**
- Do Not Puncture Refrigerant Tubing.**

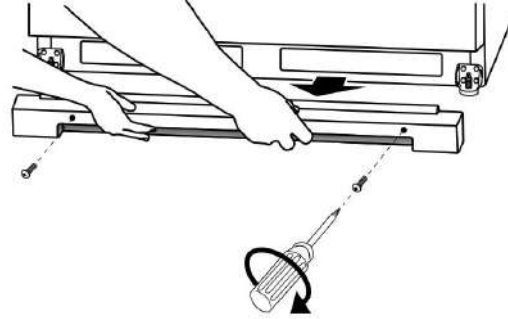
Defrost and clean your freezer when frost has built up to about 1/4" (0.6 cm) thickness, and thoroughly defrost and clean your freezer at least once a year. In high-humidity areas, a freezer may need more frequent defrosting and cleaning.

Do not use abrasive cleaners on your freezer. Do not use cleaning waxes, concentrated detergents, bleaches, or cleaners containing petroleum on plastic parts. Damage can occur.

NOTE: The drain cap must be removed before defrosting the freezer and replaced securely afterward.

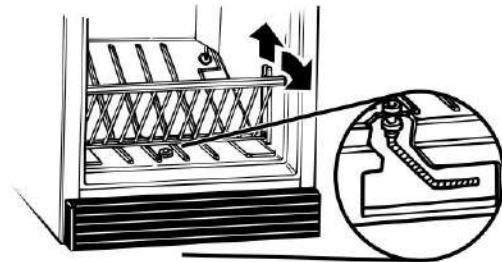
- Press and hold Temp Setting for 3 seconds or turn knob to "0" to turn off cooling.
- Unplug freezer or disconnect power.
- Remove all frozen food. Wrap frozen food in several layers of newspaper and cover with a blanket. Food will stay frozen for several hours. You may also store frozen food in a cooler, an additional refrigerator or freezer, or in a cool area.

- Remove base grille. Open the freezer door and remove the base grille by removing two Phillips-head screws and pulling the grille toward you.



- Reach under the unit and pull the drain hose out through the opening. The drain hose carries defrost water out of the freezer and through the area behind the base grille. Place a large shallow pan under the drain hose. Remove the drain cap inside freezer.

NOTE: Check the drain pan frequently to avoid water overflow. Have a second pan handy for easier emptying.



- Place pans of hot water in freezer with door open to speed melting. Directing air from an electric fan into freezer will also help. Do not place fan or any electrical device in freezer.
- Use a plastic scraper to remove frost.
- NOTE:** Do not use an ice pick, knife, or other sharp-pointed tool to defrost freezer. Damage can occur.
- Wipe water from walls with a towel or sponge.
- Wash the inside walls with a solution of mild detergent in warm water or 2 tbs (26 g) baking soda to 1 qt. (0.95 L) warm water. Do not use abrasive or harsh cleaners.
- Rinse well and wipe dry with a clean soft cloth.
- Use the appropriate cleaning method for your exterior finish.

Painted metal: Wash exteriors with a clean sponge or soft cloth and a mild detergent in warm water. Do not use abrasive or harsh cleaners, or cleaners designed for stainless steel. Dry thoroughly with a soft cloth.

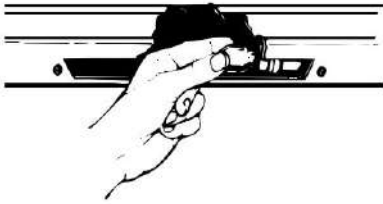
- For models with a drain system, you should replace the drain hose, drain cap, and base grille.
- Replace the base grille by aligning the ends of the grille with the leveling assemblies on each side and snapping the grille into place. Reinstall the screws.
- Replace all frozen food.
- Plug in freezer or reconnect power.
- Set temperature control to desired setting.

Changing the Light Bulb

NOTE: Not all appliance bulbs will fit your freezer. Be sure to replace the bulb with one of the same size, shape, and wattage. Do not use an LED or colored light bulb as a replacement.

Style 1 – Manual Defrost Models

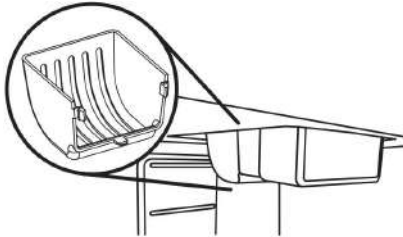
1. Unplug freezer or disconnect power.
2. Reach behind the light lens to remove bulb.



3. Replace bulb with a 40 W maximum appliance bulb.
4. Plug in freezer or reconnect power.

Style 2 – Automatic Defrost Models

1. Unplug freezer or disconnect power.
2. Remove the light shield by squeezing the lens from the sides, pushing back, and pulling down.



3. Replace bulb with a 40 W maximum appliance bulb or an LED bulb rated for wet/damp locations.

NOTE: Some LED replacement light bulbs are not recommended for wet/damp environments. Refrigerator fresh food and freezer compartments are considered wet/damp environments. Read and follow all instructions on the LED packaging when replacing the factory-installed LED bulb. A replacement LED bulb can be purchased from an authorized dealer.

4. Replace the light shield.
5. Plug in freezer or reconnect power.

Key Eject Lock

⚠ WARNING

Entrapment Hazard

Keep key away from children.

Failure to do so can result in death, suffocation, or frostbite.

To lock or unlock the refrigerator, you must hold the key in the lock while turning. The lock is spring-loaded, so the key cannot be left in the lock.

If the key is lost, contact your dealer for a replacement. Always give the model and serial number of your refrigerator when requesting a replacement key.

NOTE: Keep the key out of the reach of children. Do not keep the key close to the freezer/refrigerator.

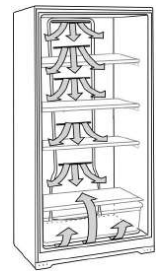


Ensuring Proper Air Circulation

In order to ensure proper temperature, you need to permit proper airflow in the freezer. As shown in the illustration, cool air enters from the freezer wall and moves down. The air then recirculates through the vent near the bottom.

Do not block any of these vents with food packages. If the vents are blocked, airflow will be restricted and temperature and moisture problems may occur.

IMPORTANT: To avoid odor transfer and drying out of food, wrap or cover foods tightly.



Power Interruptions

If the power will be out for 24 hours or less, keep the door closed to help food stay cold and frozen.

If the power will be out for more than 24 hours, do one of the following:

- Remove all frozen food and store it in a frozen food locker.
- If a food locker is not available, consume or can perishable food at once.

REMEMBER: A full freezer stays cold longer than a partially filled one. A freezer full of meat stays cold longer than a freezer full of baked goods. If you see that food contains ice crystals, it may be refrozen, although the quality and flavor may be affected. If the condition of the food is poor, dispose of it.

Moving Care

When you are moving your freezer to a new home, follow these steps to prepare it for the move.

1. Remove all frozen food.
2. Unplug the freezer.
3. Take out all removable parts, wrap them well, and tape them together so they don't shift and rattle during the move.
4. Clean the freezer thoroughly.
5. Tape the freezer shut and tape the electrical cord to the cabinet.

When you get to your new home, refer to your Quick Start Guide and the "Installation Instructions" of your Owner's Manual for information on installation and setting the controls.

INSTALLATION INSTRUCTIONS

Unpacking Your Freezer

⚠WARNING

Excessive Weight Hazard

Use two or more people to move and install or uninstall appliance.

Failure to do so can result in back or other injury.

Remove Packaging Materials

- Remove tape and glue residue from surfaces before turning on the freezer. Rub a small amount of liquid dish soap over the adhesive with your fingers. Wipe with warm water and dry.
- Do not use sharp instruments, rubbing alcohol, flammable fluids, or abrasive cleaners to remove tape or glue. These products can damage the surface of your freezer. For more information, see the "Upright Freezer Safety" section.

When Moving Your Freezer

Your freezer is heavy. When moving the freezer for cleaning or service, be sure to cover the floor with cardboard or hardboard to avoid floor damage. Always pull the freezer straight out when moving it. Do not wiggle or "walk" the freezer when trying to move it, as floor damage could occur.

Clean Before Using

After you remove all of the packaging materials, clean the inside of your freezer before using it. See the cleaning instructions in the "Maintenance and Care" section.

Important information to know about glass shelves and covers:

Do not clean glass shelves or covers with warm water when they are cold. Shelves and covers may break if exposed to sudden temperature changes or impact, such as bumping. Tempered glass is designed to shatter into many small, pebble-size pieces. This is normal. Glass shelves and covers are heavy. Use both hands when removing them to avoid dropping.

Electrical Requirements

⚠WARNING



Electrical Shock Hazard

Plug into a grounded 3 prong outlet.

Do not remove ground prong.

Do not use an adapter.

Do not use an extension cord.

Failure to follow these instructions can result in death, fire, or electrical shock.

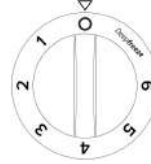
Before you move your freezer into its final location, it is important to make sure you have the proper electrical connection.

Recommended Grounding Method

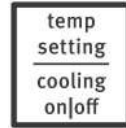
A 115 V, 60 Hz, AC-only, 15 A or 20 A fused, grounded electrical supply is required. It is recommended that a separate circuit serving only your freezer be provided. Use an outlet that cannot be turned off by a switch. Do not use an extension cord.

NOTE: Before performing any type of installation, cleaning, or removing a light bulb, turn knob to "0" on manual defrost models, or press and hold Temp Setting for 3 seconds on automatic defrost models to turn off cooling. Then disconnect the freezer from the electrical source.

Style 1 – Manual Defrost Models



Style 2 – Automatic Defrost Models



hold 3 sec.

Location Requirements

⚠WARNING



Explosion Hazard

Keep flammable materials and vapors, such as gasoline, away from appliance.

Use nonflammable cleaner.

Failure to do so can result in death, explosion, or fire.

Ventilation and Clearance

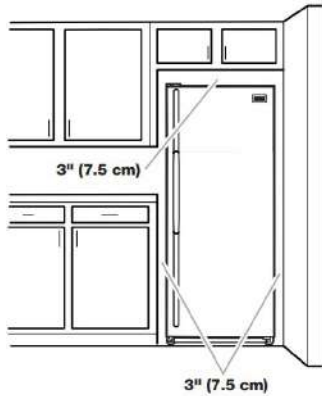
- Keep flammable materials and vapors, such as gasoline, away from freezer.
- Do not cover the freezer with items such as blankets, sheets, and tablecloths. This reduces air circulation.
- Allow at least a 3" (7.5 cm) clearance on both sides of the freezer and 2" (5 cm) between the back of the freezer and the wall. If the freezer is to be next to a fixed wall, leave extra space on the hinge side so the door can open wider.

Temperature

Your freezer operates most efficiently when located in an area where the temperature will not fall below 40°F (5°C). Place your freezer in a location where the temperature will not fall below this recommended temperature.

Upon Moving to Final Location

- Below dimensions are applicable for Upright Freezers of 16", 18", 20" when they are not side kicks.



- For Side Kicks and Refrigerators refer below informations
- NOTE:** This freezer may be installed side by side with another freezer or refrigerator. Allow for a 1" (2.54 cm) space behind the freezer and a 1/4" (6.4 mm) clearance between the appliances.

Water Supply Requirements (on some models)

Gather the required tools and parts before starting installation. Read and follow the instructions provided with any tools listed here.

Tool Needed:

- Flat-blade screwdriver
- 7/16" and 1/2" open-end or 2 adjustable wrenches
- 1/4" nut driver
- 1/4" drill bit
- Cordless drill

NOTE:

Your freezer dealer has a kit available with a 1/4" (6.35 mm) saddle-type shutoff valve, a union, and PEX tubing. Before purchasing, make sure a saddle-type valve complies with your local plumbing codes. Do not use a piercing-type or 3/16" (4.76 mm) saddle valve which reduces water flow and clogs more easily.

IMPORTANT:

- If you turn on the freezer before the water line is connected, turn off the ice maker.
- All installations must meet local plumbing code requirements.
- Use PEX tubing and check for leaks. Install PEX tubing only in areas where temperatures will remain above freezing.

Water Pressure

A cold water supply with water pressure between 30 and 120 psi (207 to 827 kPa) is required to operate the water dispenser and ice maker. If you have questions about your water pressure, see "Troubleshooting" online or call a licensed, qualified plumber.

Reverse Osmosis Water Supply

If a reverse osmosis water filtration system is connected to your cold water supply, the water pressure to the system needs to be a minimum of 40 to 60 psi (276 to 414 kPa).

If the water pressure to the reverse osmosis system is less than 40 to 60 psi (276 to 414 kPa), a booster pump can be inserted into the small tubing that goes from the cold water line to the reverse osmosis system.

If the water dispenser is still not dispensing water properly:

- Check to see whether the sediment filter in the reverse osmosis system is blocked. Replace the filter if necessary.
- Allow the storage tank on the reverse osmosis system to refill after heavy usage.
- If your refrigerator has a water filter, it may further reduce the water pressure when used in conjunction with a reverse osmosis system. Remove the water filter.

If you have questions about your water pressure, refer to "Troubleshooting" online or call a licensed, qualified plumber.

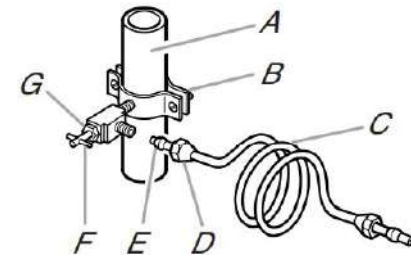
Connect the Water Supply

Connect to Water Line

1. Unplug freezer or disconnect power.
2. Turn off main water supply. Turn on nearest faucet long enough to clear line of water.
3. Locate a 1/2" to 1 1/4" (12.7 mm to 3.18 cm) vertical cold water pipe near the freezer.

IMPORTANT:

- Make sure it is a cold water pipe.
 - Horizontal pipe will work, but drill on the top side of the pipe, not the bottom. This will help keep water away from the drill and normal sediment from collecting in the valve.
4. Determine the length of copper or PEX tubing you need. Measure from the connection on the lower-left rear of freezer to the water pipe. Add 7 ft. (2.1 m) to allow for cleaning. Use 1/4" (6.35 mm) O.D. (outside diameter) copper or PEX tubing. Be sure both ends of copper or PEX tubing are cut square.
 5. Using a cordless drill, drill a 1/4" (6.35 mm) hole in the cold water pipe you have selected.

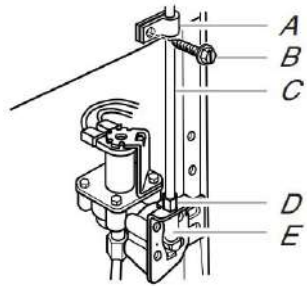


- A. Cold water pipe
- B. Pipe clamp
- C. Copper or PEX tubing
- D. Compression nut
- E. Compression sleeve
- F. Shutoff valve
- G. Packing nut

6. Fasten the shutoff valve to the cold water pipe with the pipe clamp. Be sure the outlet end is solidly in the 1/4" (6.35 mm) drilled hole in the water pipe and that the washer is under the pipe clamp. Tighten the packing nut. Tighten the pipe clamp screws slowly and evenly so washer makes a watertight seal. Do not overtighten or you may crush the copper or PEX tubing.
7. Slip the compression sleeve and compression nut on the copper or PEX tubing as shown. (Pex tubing is supplied with the compression sleeve and nut installed.) Insert the end of the tubing into the outlet end squarely as far as it will go. Screw compression nut onto outlet end with adjustable wrench. Do not overtighten.
8. Place the free end of the tubing in a container or sink and turn on the main water supply. Flush the tubing until water is clear. Turn off the shutoff valve on the water pipe. Coil the copper or PEX tubing.

Connect to Freezer

1. Attach the copper or PEX tube to the valve inlet using a compression nut and sleeve as shown. Tighten the compression nut. Do not overtighten.



- A. Tube clamp
B. Tube clamp screw
C. Copper or PEX tubing
D. Compression nut
E. Valve inlet

2. Use the tube clamp on the back of the freezer to fasten the tubing to the freezer as shown. This will help avoid damage to the tubing when the freezer is pushed back against the wall.
3. Turn shutoff valve on.
4. Check for leaks. Tighten any connections (including connections at the valve) or nuts that leak.
5. The ice maker is equipped with a built-in water strainer. If your water conditions require a second water strainer, install it in the 1/4" (6.35 mm) water line at either tube connection. Obtain a water strainer from your nearest appliance dealer.

⚠ WARNING



Electrical Shock Hazard

Plug into a grounded 3 prong outlet.

Do not remove ground prong.

Do not use an adapter.

Do not use an extension cord.

Failure to follow these instructions can result in death, fire, or electrical shock.

6. Plug into a grounded 3-prong outlet.

Freezer Door

Tools Needed: 5/16" hex-head socket wrench, 3/8" hex-head socket wrench, flat 2" putty knife

IMPORTANT:

- All graphics referenced in the following instructions are included at the end of this Manual. The graphics shown are for a right-hand-swing door (hinges factory-installed on the right).
- If you only want to remove and replace the door, see "Remove Door and Hinges" and "Replace Door and Hinges."
- Before you begin, turn off the control, and remove food and adjustable door or utility bins from door.

Remove Door and Hinges



Hex-Head Hinge Screws

1. Unplug freezer or disconnect power.
2. Keep the freezer door closed until you are ready to lift it free from the cabinet.
NOTE: Provide additional support for the door while the hinges are being moved. Do not depend on the door magnets to hold the door in place while you are working.
3. Remove the parts for the top hinge as shown in "Top Hinge" graphic.
4. Lift the freezer door free from the lower hinge and cabinet and set aside.
5. Remove the four hex-head hinge screws and bottom hinge assembly. See "Bottom Hinge" graphic.

Reverse Door (optional on some models)

IMPORTANT: If you want to reverse your door so that it opens in the opposite direction, continue with "Reverse Door (optional on some models)" instructions. If you are not reversing the door, see "Replace Door and Hinges."

Cabinet

1. Remove the cabinet hinge hole screws as shown in Graphic 2.
2. Remove the bottom hinge pin from the hinge bracket.
3. Remove the decals covering the holes on the opposite side of the bottom hinge.
4. Reinstall the bottom hinge pin in the alternate hole in the hinge bracket. See Graphic 3.
5. Reinstall the hinge bracket to the cabinet with the four hex-head hinge screws.

Door

1. On some models, remove the hinge hole plug from the top of the door.
2. Remove the door stop from the bottom of the door.
3. Move the door stop to the opposite side, making sure that the hole in the door stop bracket is aligned perfectly with the hole in the door for the bottom hinge pin.
4. Using the screws removed in step 2, fasten the door stop bracket to the bottom of the door.
5. Tighten all screws. Set aside the door until the bottom hinge is in place.

Replace Door and Hinges

NOTE: Graphic may be reversed if door swing is reversed.

1. Replace the parts for the bottom hinge as shown and tighten screws. See "Bottom Hinge" graphic. Replace the freezer door.
NOTE: Provide additional support for the door while the hinges are being moved. Do not depend on the door magnets to hold the door in place while you are working.
2. Assemble the parts of the top hinge as shown in the "Top Hinge" graphic. Do not tighten the screws completely.

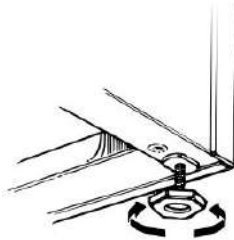
Final Steps

1. Check all holes to make sure that screws are in place. Reinstall top hinge cover. See "Top Hinge" graphic.
2. Using the provided decals, cover the remaining holes located on the side opposite the bottom hinge.
3. Plug into grounded 3-prong outlet.
4. Reset the control.
5. Return all removable door parts to door and food to freezer.

Freezer Leveling and Door Closing

Style 1 – Without Grille

1. Locate the two front leveling legs taped among the packing materials.
2. Screw these legs into the front holes on the bottom of the freezer. The back of the freezer rests on two fixed supports.
3. Adjust the front legs enough to lift the cabinet up off the floor.
4. Place a leveling tool on top of the freezer first side to side, then front to back. Turn leg counterclockwise to raise a corner. Turn leg clockwise to lower a corner.



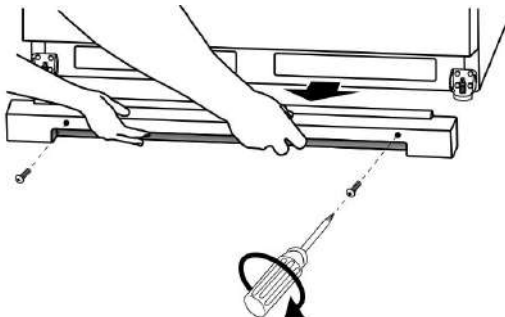
5. Repeat step 4 until freezer is level.
6. After freezer is fully loaded with food, recheck with level as in step 4.

Style 2 – With Grille

Your freezer has two adjustable legs—one on each side. The back of the freezer rests on two fixed rollers. The base grille covers the adjustable brake feet. Before making any adjustments, remove the base grille and move the freezer to its final location.

Tools Needed: 1/4" hex driver, Phillips screwdriver

1. Remove the base grille screws. Grasp the grille firmly and pull it toward you. Open the freezer door to access the brake feet.
NOTE: To allow the freezer to roll more easily, raise the brake feet by turning them counterclockwise.



2. Move the freezer to its final location.

IMPORTANT: To prevent floor damage while moving a product, always be mindful of how you move the product and use protective measures. Avoid dragging or pushing, as this can create friction and scratches. Instead, lift and carry, or use a piece of cloth under the product to prevent direct contact with the floor.

3. Lower the brake feet, by turning them clockwise, until both brake feet are snug against the floor. This keeps the freezer from rolling forward when opening the freezer door.

IMPORTANT: If you need to make further adjustments involving the brake feet, you must turn both brake feet the same amount to keep the freezer level. For sidekick models lower the brake feet, by turning them clockwise, until the rollers are off the floor and both brake feet are snug against the floor. Be sure to cover the floor with cardboard or hardboard while moving the appliance to avoid damaging the floor.

4. Make sure the door closes easily. If you are satisfied with the door opening and closing, skip the next section. If, however, the door does not close easily or the door pops open, adjust the tilt.

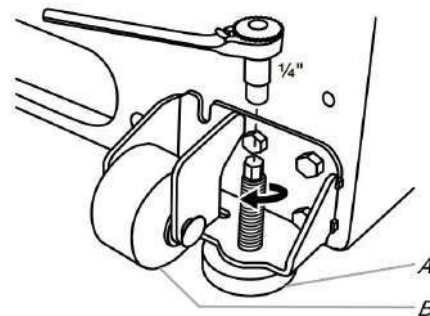
To Adjust the Cabinet Tilt:

NOTE: Having someone push against the top of the freezer takes some weight off the brake feet. This makes it easier to turn them.

- Open the freezer door. Use a 1/4" hex driver to turn both brake feet clockwise the same amount. This will raise the front of the freezer. It may take several turns to allow the door to close more easily.
5. Make sure the freezer is steady. If the freezer seems unsteady or rolls forward when the door is pulled open, adjust the brake feet.

To Steady the Freezer:

- Open the freezer door. Using a 1/4" hex driver, turn both brake feet clockwise the same amount until the brake feet are snug against the floor. Check again. If not satisfied, continue to adjust the brake feet by half turns of the screw until the freezer does not roll forward when the door is opened.
6. Replace the base grille by aligning the ends of the grille with the leveling assemblies on each side and snapping the grille into place. Reinstall the Phillips screws.



A. Brake foot

B. Front roller (Optional for sidekick models)

Remove and Replace the Handle (on some models)

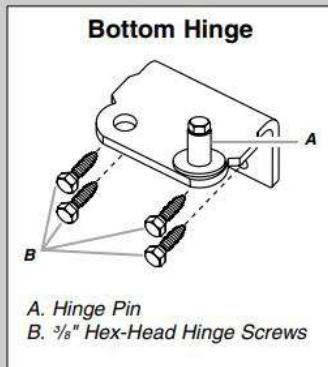
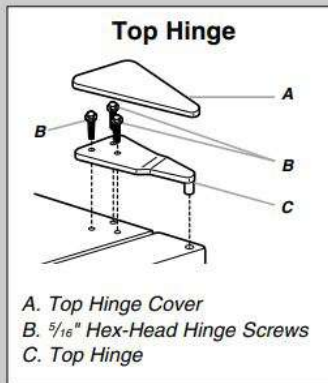
To Remove the Handle:

1. Loosen the setscrews located on the side of handle at each end. See "Door Swing Reversal and Handle Removal" graphic.
2. Remove the handle from the grommets.

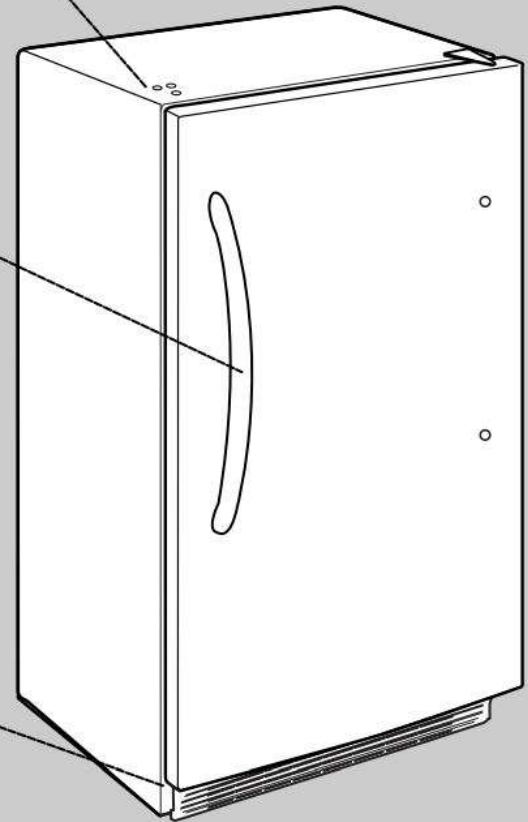
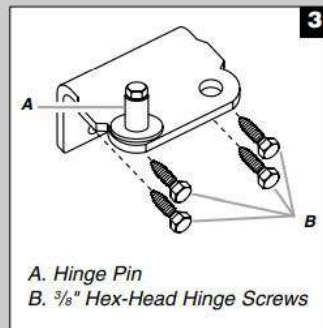
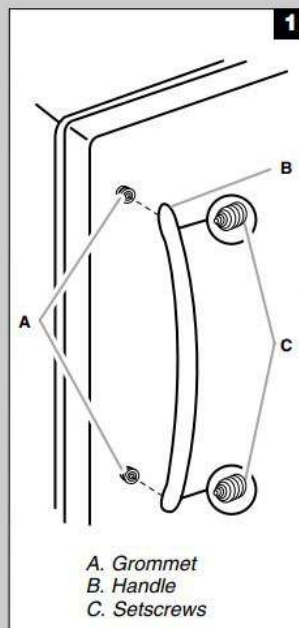
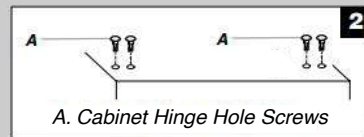
To Replace the Handle:

1. Place the handle onto the grommets, making sure the grommets are fitted into the handle holes.
2. Tighten the upper and lower setscrews with the hex key provided. See "Door Swing Reversal and Handle Removal" graphic. Do not overtighten the setscrews.

Door Removal & Replacement



Door Swing Reversal and Handle Removal (optional)

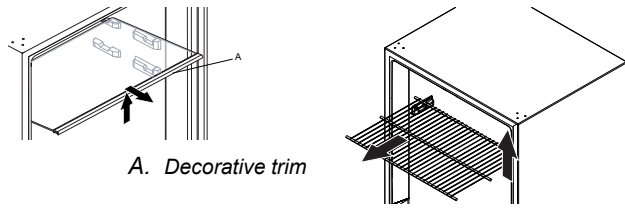


Refrigerator Shelves

Store similar foods together and adjust the shelves to fit different heights. This reduces the time the refrigerator door is open and saves energy.

To Remove and Replace a Shelf:

1. Remove the shelf by lifting straight up and pulling the shelf out.



2. Replace the shelf by lowering the shelf onto the supports on the side wall.

NOTE: When installing the shelves, the decorative trim should be located at the front.

SÉCURITÉ DU CONGÉLATEUR

Votre sécurité et celle des autres sont très importantes.

Nous donnons de nombreux messages de sécurité importants dans ce manuel et sur votre appareil. Assurez-vous de toujours lire tous les messages de sécurité et de vous y conformer.



Voici le symbole d'alerte de sécurité.

Ce symbole d'alerte de sécurité vous signale les dangers potentiels de décès et de blessures graves.

Tous les messages de sécurité suivront le symbole d'alerte de sécurité et le mot « DANGER » ou « AVERTISSEMENT ». Ces mots signifient :

▲ DANGER

Risque possible de décès ou de blessure grave si vous ne suivez pas immédiatement les instructions.

▲ AVERTISSEMENT

Risque possible de décès ou de blessure grave si vous ne suivez pas les instructions.

Tous les messages de sécurité vous diront quel est le danger potentiel, comment réduire le risque de blessure et ce qui peut se produire en cas de non-respect des instructions.

INSTRUCTIONS IMPORTANTES DE SÉCURITÉ

AVERTISSEMENT : Afin de réduire le risque d'incendie, de décharge électrique ou de blessures corporelles lors de l'utilisation de cet appareil, observer certaines précautions fondamentales, notamment :

- Les enfants doivent être surveillés afin de s'assurer qu'ils ne jouent pas avec l'appareil.
- Cet appareil ne convient pas à une utilisation par des personnes (y compris des enfants) à capacités physiques, sensorielles ou mentales réduites, ou possédant un manque d'expérience et de connaissances, à moins qu'elles ne soient placées sous supervision ou qu'elles aient reçu des instructions concernant l'utilisation de l'appareil par une personne responsable de leur sécurité.
- Ne pas utiliser de rallonge.
- Si le cordon d'alimentation est endommagé, il doit être remplacé par le fabricant, son agent de réparation ou toute autre personne qualifiée afin d'éviter tout danger.
- Brancher sur une alimentation en eau potable uniquement.
- Cet appareil est destiné à un usage domestique et à d'autres usages similaires comme : coins cuisine réservés au personnel des boutiques, des bureaux et d'autres environnements professionnels; maisons d'hôtes, ainsi que par les clients d'hôtel, de motels et d'autres installations d'hébergement; gîtes touristiques; et banquets et autres utilisations non commerciales semblables.
- Ne pas entreposer de substances explosives comme des aérosols avec agent propulseur inflammable dans cet appareil.
- Ne pas utiliser de pièces de remplacement qui n'ont pas été recommandées par le fabricant (c.-à-d., pièces fabriquées à la maison à l'aide d'une imprimante 3D).
- Garder les événements à l'intérieur de l'enceinte de l'appareil ou de la structure encastrée exempte d'obstacles.
- Ne pas utiliser des appareils mécaniques ou autres moyens pour accélérer le processus de dégivrage, autre que ceux recommandés par le fabricant.
- Ne pas endommager le circuit réfrigérant.
- Ne pas utiliser des appareils électriques à l'intérieur des compartiments d'aliments de l'appareil, à moins qu'ils soient de type recommandé par le fabricant.
- L'ensemble de machine à glaçons peut être ajouté à certains modèles. Consulter la plaque signalétique située à l'intérieur du compartiment pour les aliments de l'appareil pour obtenir les informations concernant le modèle d'ensemble de machine à glaçons.
- L'installation de la canalisation d'eau et de la machine à glaçons doit être effectuée par un technicien de service qualifié. Consulter les instructions d'installation fournies avec l'ensemble de machine à glaçons pour tous les détails.

CONSERVER CES INSTRUCTIONS

Mise au rebut du vieux congélateur

AVERTISSEMENT : Un enfant peut rester piégé. Avant de jeter votre vieux réfrigérateur ou congélateur :

- Enlever les portes.
- Laisser les tablettes en place de sorte que les enfants ne puissent pas y pénétrer facilement.

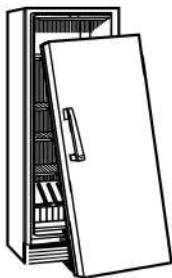
⚠ AVERTISSEMENT

Risque de suffoquer

Enlever les portes ou le couvercle de votre vieil appareil.

Le non-respect de cette instruction peut causer un décès ou des lésions cérébrales.

IMPORTANT : Le risque qu'un enfant puisse se retrouver coincé et suffoquer n'est pas chose du passé. Les réfrigérateurs et congélateurs jetés ou abandonnés sont toujours dangereux, même s'ils ne restent à l'extérieur que pour « quelques jours seulement ». Si vous vous débarrassez de votre vieux réfrigérateur ou congélateur, veuillez suivre les instructions suivantes pour aider à éviter les accidents.



Informations importantes à connaître pour l'élimination du liquide réfrigérant :

Jeter le congélateur conformément aux règlements fédéraux et locaux. Les liquides réfrigérants doivent être évacués par un technicien en réfrigération accrédité EPA, conformément aux procédures établies.

ENTRETIEN ET RÉPARATION

Nettoyage du congélateur sans givre (sur certains modèles)

⚠ AVERTISSEMENT



Risque d'explosion

Risque d'incendie ou d'explosion.

Fluide frigorigène inflammable utilisé.

Ne pas utiliser d'appareils mécaniques pour dégivrer le réfrigérateur.

Ne pas perforer la tubulure de réfrigération.

Sans givre signifie qu'il ne sera pas nécessaire de dégivrer le congélateur. Le givre est enlevé par le mouvement de l'air qui collecte l'humidité et la dépose sur le serpentin de refroidissement. Le serpentin de refroidissement se réchauffe régulièrement de façon suffisante pour faire fondre le givre qui s'écoule ensuite dans le bac de récupération (situé derrière la grille de la base) d'où elle s'évapore.

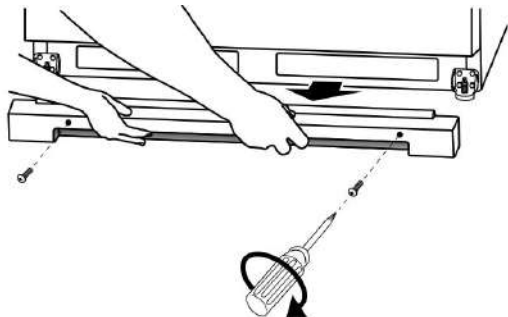
Un nettoyage complet devrait être effectué au moins une fois par an.

1. Maintenir enfoncé pendant 3 secondes le bouton Temp Setting (réglage de la température) ou placer le bouton sur « 0 » pour désactiver le refroidissement.
2. Débrancher le congélateur ou déconnecter la source de courant électrique.
3. Retirer tous les aliments surgelés. Envelopper les aliments surgelés dans plusieurs couches de journal et les couvrir d'une couverture. Les aliments resteront surgelés pendant plusieurs heures. Les aliments surgelés peuvent également être conservés dans une glacière, un congélateur supplémentaire ou un endroit frais.
4. Retirer toutes les pièces amovibles de l'intérieur comme les tablettes et les bacs.
5. Laver à la main, rincer et sécher les pièces amovibles et les surfaces internes soigneusement. Utiliser une éponge propre ou un linge doux et un détergent doux dans de l'eau tiède.
 - Ne pas utiliser de nettoyeurs puissants ou abrasifs tels que les nettoyeurs à vitre en atomiseurs, nettoyeurs à récurer, liquides inflammables, cires nettoyantes, détergents concentrés, agents de blanchiment ou nettoyeurs contenant du pétrole sur les pièces en plastique, les garnitures intérieures et garnitures de portes ou sur les joints de portes. Ne pas utiliser d'essuie-tout, de tampons à récurer ou un autre outil de nettoyage abrasif. Ces produits risquent d'égratigner ou d'endommager les matériaux.
 - Pour aider à éliminer les odeurs, on peut laver les parois intérieures avec un mélange d'eau tiède et de bicarbonate de soude (2 c. à soupe pour 1 pte [26 g pour 0,95 L] d'eau).
6. Remettre en place les parties amovibles.

- Utiliser la méthode de nettoyage adéquate pour votre finition extérieure.

Métal peint : Laver les surfaces extérieures avec une éponge propre ou un linge doux et un détergent doux dans de l'eau tiède. Ne pas utiliser un nettoyant abrasif puissant ou conçu pour l'acier inoxydable. Sécher soigneusement avec un chiffon doux.

- Retirer la grille de la base en ouvrant la porte du congélateur et en retirant les deux vis cruciformes. Tirer la grille vers soi pour l'enlever.



Employer un aspirateur avec un accessoire long pour nettoyer les serpentins du condenseur lorsqu'ils sont sales ou poussiéreux. Il se peut que les serpentins aient besoin d'être nettoyés tous les deux mois. Ce nettoyage peut aider à économiser de l'énergie.

- Réinstaller la grille de la base en alignant les extrémités de la grille avec les dispositifs de nivellement de chaque côté et emboîter la grille. Réinstaller les vis.
- Replacer tous les aliments surgelés.
- Brancher le congélateur ou reconnecter la source de courant électrique.
- Régler la commande de température au réglage désiré.

Dégivrage et nettoyage du congélateur à dégivrage manuel (sur certains modèles)

⚠ AVERTISSEMENT

Risque d'explosion

Risque d'incendie ou d'explosion.

Fluide frigorigène inflammable utilisé.

Ne pas utiliser d'appareils mécaniques pour dégivrer le réfrigérateur.

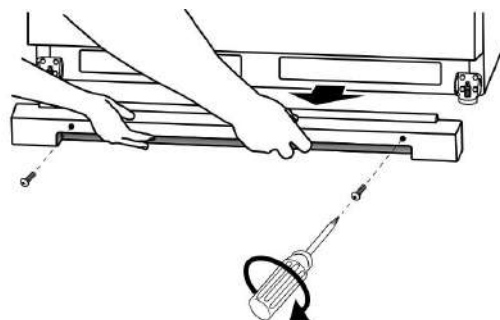
Ne pas perforer la tubulure de réfrigération.

Dégivrer et nettoyer votre congélateur lorsque du givre forme une couche de 1/4 po (0,6 cm) d'épaisseur. Effectuer un dégivrage et un nettoyage au moins une fois par année. Dans les endroits très humides, il peut être nécessaire de procéder à un dégivrage et un nettoyage plus fréquent du congélateur.

Ne pas utiliser de nettoyants abrasifs sur votre congélateur. Ne pas utiliser de cires nettoyantes, de détergents concentrés, d'eau de Javel ou de produits contenant du pétrole sur les pièces en plastique. Cela pourrait endommager le produit.

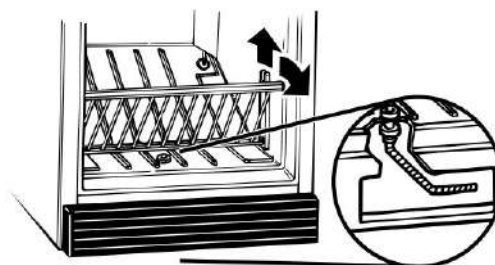
REMARQUE : Le bouchon de vidange doit être enlevé avant le dégivrage du congélateur et remis en place après.

- Maintenir enfoncé pendant 3 secondes le bouton Temp Setting (réglage de la température) ou placer le bouton sur « 0 » pour désactiver le refroidissement.
- Débrancher le congélateur ou déconnecter la source de courant électrique.
- Retirer tous les aliments surgelés. Envelopper les aliments surgelés dans plusieurs couches de journal et les couvrir d'une couverture. Les aliments resteront surgelés pendant plusieurs heures. Les aliments surgelés peuvent également être conservés dans une glacière, un congélateur supplémentaire ou un endroit frais.
- Enlever la grille de la base. Ouvrir la porte du congélateur et retirer la grille de la base en enlevant les deux vis cruciformes et en tirant la grille vers soi.



- Passer la main sous l'appareil et tirer le tuyau de vidange par l'ouverture. Le tuyau de vidange transporte l'eau de dégivrage à l'extérieur du congélateur et dans la zone derrière la grille de la base. Placer un plat large et peu profond sous le tuyau de vidange. Retirer le bouchon de drain situé à l'intérieur du congélateur.

REMARQUE : Vérifier fréquemment le plat de vidange pour éviter qu'il ne déborde. Prévoir un second récipient pour les vider facilement.



- Placer des plats d'eau chaude dans le congélateur et laisser la porte ouverte pour accélérer le dégivrage. Diriger le flux d'air produit par un ventilateur dans le congélateur aidera aussi. Ne pas placer le ventilateur ou tout autre appareil électrique dans le congélateur.
 - Utiliser un racloir en plastique pour enlever le givre.
- REMARQUE :** Ne pas utiliser de pic à glace, couteau ou autre outil pointu pour dégivrer le congélateur. Cela pourrait endommager le produit.
- Essuyer l'eau sur les parois avec une serviette ou une éponge.
 - Laver les parois intérieures avec une solution de détergent doux et d'eau tiède ou 2 cuillères à café (26 g) de bicarbonate de soude dilué dans 0,95 L (1 pte) d'eau tiède. Ne pas utiliser de nettoyants abrasifs ou puissants.
 - Bien rincer et essuyer avec un chiffon propre et doux.

11. Utiliser la méthode de nettoyage adéquate pour votre finition extérieure.

Métal peint : Laver les surfaces extérieures avec une éponge propre ou un linge doux et un détergent doux dans de l'eau tiède. Ne pas utiliser un nettoyant abrasif puissant ou conçu pour l'acier inoxydable. Sécher soigneusement avec un chiffon doux.

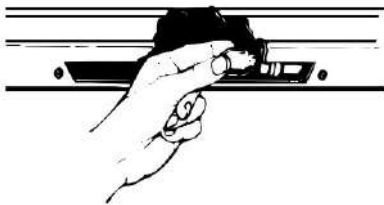
12. Pour les modèles avec un système de drainage, replacer le tuyau de vidange, le bouchon de drain et la grille de la base.
13. Réinstaller la grille de la base en alignant les extrémités de la grille avec les dispositifs de nivellement de chaque côté et emboîter la grille. Réinstaller les vis.
14. Replacer tous les aliments surgelés.
15. Brancher le congélateur ou reconnecter la source de courant électrique.
16. Régler la commande de température au réglage désiré.

Remplacer l'ampoule d'éclairage

REMARQUE : Les ampoules pour électroménagers ne conviennent pas toutes pour le congélateur. S'assurer de remplacer l'ampoule par une ampoule de taille, de forme et de puissance semblables. Ne pas utiliser une ampoule à DEL ou colorée pour le remplacement.

Style 1 – Modèles à dégivrage manuel

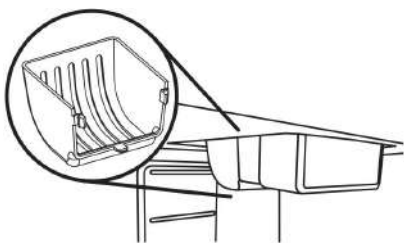
1. Débrancher le congélateur ou déconnecter la source de courant électrique.
2. Retirer l'ampoule en passant derrière le protecteur.



3. Remplacer l'ampoule par une ampoule d'une puissance maximum de 40 W.
4. Brancher le congélateur ou reconnecter la source de courant électrique.

Style 2 – Modèles à dégivrage automatique

1. Débrancher le congélateur ou déconnecter la source de courant électrique.
2. Retirer le protège-ampoule en appuyant sur les côtés du couvercle, en poussant et en tirant vers le bas.



3. Remplacer l'ampoule par une ampoule pour appareil ménager d'une puissance maximale de 40 W ou une ampoule à DEL conçue pour un emplacement humide/mouillé.

REMARQUE : Certaines DEL de rechange ne sont pas recommandées pour des environnements humides/mouillés. Les compartiments de réfrigération et de congélation sont considérés comme des environnements humides/mouillés. Lire et suivre les instructions sur l'emballage des DEL au moment de remplacer l'ampoule DEL installée à l'usine. Une ampoule DEL de rechange peut être achetée chez un revendeur agréé.

4. Réinstaller le protège-ampoule.

5. Brancher le congélateur ou reconnecter la source de courant électrique.

Serrure à éjection de clé

⚠ AVERTISSEMENT

Risque d'emprisonnement

Garder la clé loin des enfants.

Le non-respect de cette instruction peut causer un décès, une suffocation ou des gelures.

Pour verrouiller ou déverrouiller le réfrigérateur, vous devez tenir la clé dans la serrure tout en tournant. La serrure est munie d'un ressort, la clé ne peut donc pas y rester.

Si la clé est perdue, contacter votre revendeur pour la remplacer. Toujours donner le numéro de modèle et de série de votre réfrigérateur lorsque vous demandez une clé de rechange.

REMARQUE : Garder la clé hors de portée des enfants. Ne pas conserver la clé à proximité du congélateur/ réfrigérateur.

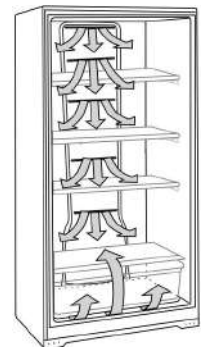


Pour assurer une circulation d'air correcte

Pour s'assurer d'avoir des températures appropriées, il faut permettre à l'air de circuler correctement dans le congélateur. Comme illustré, l'air froid entre par la paroi du congélateur et descend. L'air recircule ensuite par les ouvertures d'aération situées au bas.

N'obstruer aucune de ces ouvertures d'aération avec des emballages d'aliments. Si les ouvertures d'aération sont bloquées, le flux d'air sera réduit et des problèmes de température et d'humidité peuvent survenir.

IMPORTANT : Pour éviter le transfert d'odeurs et l'assèchement des aliments, envelopper ou recouvrir hermétiquement les aliments.



Pannes de courant

Si le service doit être interrompu pendant 24 heures ou moins, garder la porte fermée pour aider les aliments à demeurer froids et congelés.

Si l'alimentation électrique doit être interrompue pendant plus de 24 heures, faire l'une des choses suivantes :

- Retirer tous les aliments congelés et les entreposer dans un entrepôt frigorifique.
- S'il est impossible d'accéder à un entrepôt, consommer les aliments périssables ou les mettre en conserve immédiatement.

NE PAS OUBLIER : Un congélateur plein restera froid plus longtemps qu'un congélateur partiellement rempli. Un congélateur plein de viande demeure froid plus longtemps qu'un congélateur rempli de pains et de pâtisseries. Si les aliments contiennent des cristaux de glace, ils peuvent être remis à congeler, toutefois la qualité et la saveur risquent d'en être affectées. Si les aliments semblent de piètre qualité, les jeter.

Précautions à prendre avant un déménagement

En cas de déménagement et de déplacement du congélateur dans une nouvelle habitation, suivre ces étapes pour préparer le déménagement.

1. Retirer tous les aliments surgelés.
2. Débrancher le congélateur.
3. Retirer toutes les pièces amovibles, bien les envelopper et les attacher ensemble avec du ruban adhésif pour qu'elles ne bougent et ne s'entrechoquent pas durant le déménagement.
4. Bien nettoyer le congélateur.
5. Maintenir le couvercle fermé à l'aide de ruban. Utiliser aussi du ruban pour maintenir le cordon en place.

Lors du déménagement vers une nouvelle maison, consulter le guide de démarrage rapide et les « Instructions d'installation » du manuel d'utilisation pour obtenir des informations sur l'installation et le réglage des commandes.

INSTRUCTIONS D'INSTALLATION

Déballage du congélateur

AVERTISSEMENT

Risque de poids excessif

Utiliser deux personnes ou plus pour déplacer et installer l'appareil.

Le non-respect de cette instruction peut causer une blessure au dos ou d'autres blessures.

Enlèvement des matériaux d'emballage

- Enlever tout résidu de ruban adhésif et de colle des surfaces avant de le mettre en marche votre congélateur. Frotter une petite quantité de savon liquide à vaisselle sur l'adhésif avec les doigts. Rincer à l'eau tiède et sécher.
- Ne pas utiliser d'instruments coupants, d'alcool à friction, de liquides inflammables ou de nettoyants abrasifs pour enlever le ruban adhésif ou la colle. Ces produits peuvent endommager la surface de votre congélateur. Pour plus de renseignements, voir la section « Sécurité du congélateur vertical ».

Lors du déplacement du congélateur

Ce congélateur est lourd. Lors du déplacement de ce congélateur pour un nettoyage ou un entretien, veiller à recouvrir le plancher d'un carton ou panneau de fibre dur pour éviter de l'endommager. Toujours tirer le congélateur tout droit lors du déplacement. Ne pas incliner le congélateur d'un côté ou de l'autre ni le « faire marcher » en essayant de le déplacer, car le sol pourrait être endommagé.

Nettoyage avant utilisation

Après avoir enlevé tous les matériaux d'emballage, nettoyer l'intérieur du congélateur avant de l'utiliser. Voir les instructions de nettoyage dans la section « Entretien et nettoyage ».

Informations importantes à propos des tablettes et des couvercles en verre :

Ne pas nettoyer les tablettes ou les couvercles de verre avec de l'eau tiède lorsqu'ils sont froids. Les tablettes et couvercles peuvent se briser s'ils sont exposés à un changement de températures ou impact soudain, tel qu'une chute. Le verre trempé est conçu pour se briser en de multiples petits morceaux de la taille de gravillons. Ceci est normal. Les tablettes en verre et les couvercles sont lourds. Employer les deux mains lorsqu'on les retire afin d'éviter de les faire tomber.

Spécifications électriques

AVERTISSEMENT



Risque de décharge électrique

Brancher l'appareil sur une prise à 3 alvéoles reliée à la terre.

Ne pas enlever la prise de liaison à la terre.

Ne pas utiliser d'adaptateur.

Ne pas utiliser de rallonge.

Le non-respect de ces instructions peut causer un décès, un incendie ou une décharge électrique.

Avant de placer le réfrigérateur à son emplacement final, il est important de s'assurer d'avoir la connexion électrique appropriée.

Méthode recommandée de liaison à la terre

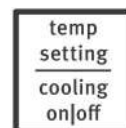
Un circuit de 115 V CA à 60 Hz relié à la terre et protégé par un fusible de 15 A ou 20 A est requis. Il est recommandé d'utiliser un circuit distinct qui n'alimentera que le congélateur. Utiliser une prise de courant dont l'alimentation ne peut pas être interrompue par un interrupteur. Ne pas utiliser de rallonge.

REMARQUE : Avant de procéder à tout type d'installation, de nettoyage ou de changement d'une ampoule, tourner le bouton rotatif sur « 0 » sur les modèles à dégivrage manuel, ou appuyer sans relâcher sur Temp setting (réglage de température) pendant 3 secondes sur les modèles à dégivrage automatique pour désactiver le refroidissement, puis déconnecter le congélateur de la source de courant électrique. Déconnecter ensuite le réfrigérateur de la source de courant électrique.

Style 1 – Modèles à dégivrage manuel



Style 2 – Modèles à dégivrage automatique



hold 3 sec.

Exigences d'emplacement

⚠ AVERTISSEMENT



Risque d'explosion

Garder les matières et les vapeurs inflammables, telles que l'essence, à l'écart de l'appareil.

Utiliser un produit de nettoyage ininflammable.

Le non-respect de ces instructions peut causer un décès, une explosion ou un incendie.

Ventilation et espace libre

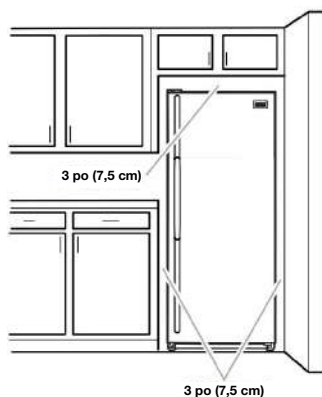
- Garder les matières et vapeurs inflammables, telles que l'essence, loin du congélateur.
- Ne pas couvrir le congélateur d'un drap, d'une couverture ou d'une nappe. Ceci réduit la circulation d'air.
- Laisser au minimum 3 po (7,5 cm) d'espace des deux côtés du congélateur et 2 po (5 cm) entre l'arrière du congélateur et le mur. Si le congélateur doit être placé près d'un mur fixe, laisser un espace supplémentaire côté charnière pour que la porte puisse s'ouvrir en plus grand.

Température

Le congélateur fonctionne à son efficacité maximale lorsqu'il se trouve dans un endroit où la température ne descend pas en dessous de 40 °F (5 °C). Installer le congélateur dans un endroit où la température ne descend pas en dessous de cette température recommandée.

Lors du déplacement à l'emplacement final

- Les dimensions suivantes sont utilisées pour les congélateurs verticaux de 16 po, 18 po et 20 po lorsqu'ils n'y en a pas plusieurs les uns à côté des autres.



- Pour les appareils mis les uns à côté des autres et les réfrigérateurs, consultez les informations suivantes

REMARQUE : Ce congélateur peut être installé côte à côte avec un autre réfrigérateur ou congélateur. Laisser 1 po (2,54 cm) d'espace derrière le congélateur et 1/4 po (6,4 mm) entre les appareils.

Spécifications de l'alimentation en eau (sur certains modèles)

Rassembler les outils et pièces nécessaires avant d'entreprendre l'installation. Lire et observer les instructions fournies avec chacun des outils de la liste ci-dessous.

Outillage nécessaire :

- Tournevis à tête plate
- Clés ouvertes de 7/16 po et 1/2 po ou 2 clés à molette
- Tourne-écrou de 1/4 po
- Foret de 1/4 po
- Perceuse sans fil

REMARQUE :

Votre marchand de réfrigérateurs propose une trousse avec un robinet d'arrêt à étrier de 1/4 po (6,35 mm), un raccord et un tube en polyéthylène réticulé. Avant d'en faire l'achat, s'assurer que le robinet d'arrêt à étrier est conforme aux codes locaux de plomberie. Ne pas employer de robinet d'arrêt à étrier de 3/16 po (4,76 mm) ou de type à percer – ils réduisent le débit d'eau et s'obstruent plus facilement.

IMPORTANT :

- Si on met le congélateur en marche avant que la canalisation d'eau ne soit raccordée, éteindre la machine à glaçons.
- Toutes les installations doivent être conformes aux exigences des codes locaux de plomberie.
- Utiliser un tuyau en polyéthylène réticulé et vérifier qu'il n'y a pas de fuite. Installer des tuyaux en polyéthylène réticulé seulement là où les températures resteront au-dessus du point de congélation.

Pression d'eau

Une alimentation en eau froide avec une pression entre 30 et 120 lb/po² (207 et 827 kPa) est nécessaire pour faire fonctionner le distributeur d'eau et la machine à glaçons. Pour toute question au sujet de la pression de l'eau, consulter la section « Dépannage » ou faire appel à un plombier qualifié agréé.

Alimentation en eau par osmose inverse

Si un système de filtration de l'eau par osmose inverse est raccordé à votre alimentation en eau froide, la pression de l'eau au système doit être d'un minimum de 276 à 414 kPa (40 à 60 lb/po²).

Si la pression de l'eau au système d'osmose inverse est inférieure à une valeur entre 40 à 60 lb/po² (276 à 414 kPa), une pompe de surpression peut être insérée sur le petit tuyau qui va de la canalisation d'eau froide à l'entrée du système d'osmose inverse.

Si le distributeur d'eau ne distribue toujours pas d'eau correctement :

- Vérifier que le filtre à sédiment dans le système à osmose inverse n'est pas obstrué. Remplacer le filtre si nécessaire.
- Laisser le réservoir du système d'osmose inverse se remplir après une utilisation intense.
- Si le réfrigérateur comporte un filtre à eau, celui-ci peut réduire la pression de l'eau lorsqu'il est utilisé avec un système d'osmose inverse. Enlever le filtre à eau.

Pour toute question au sujet de la pression de votre eau, consulter la section « Dépannage » en ligne ou faire appel à un plombier qualifié agréé.

Raccordement à la canalisation d'eau

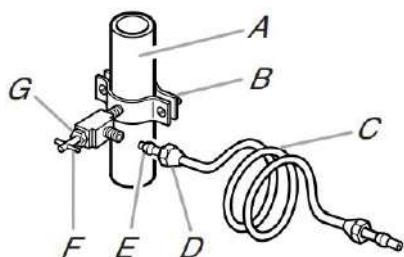
Raccordement à la canalisation d'eau

1. Débrancher le congélateur ou déconnecter la source de courant électrique.
2. Couper l'alimentation principale en eau. Ouvrir le robinet le plus proche assez longtemps pour vider l'eau du tuyau.

3. Trouver une canalisation d'eau froide verticale de 1/2 po à 1 1/4 po (12,7 mm à 3,18 cm) à proximité du congélateur.

IMPORTANT :

- Vérifier qu'il s'agit d'une canalisation d'eau froide.
 - On peut aussi utiliser une canalisation horizontale; dans ce cas, on devra percer sur la face supérieure du tuyau et non pas au-dessous. Ceci permet de tenir la perceuse à l'écart de l'eau et d'empêcher les sédiments qu'on trouve normalement dans l'eau de s'accumuler dans le robinet d'arrêt.
4. Déterminer la longueur de la canalisation en cuivre ou en polyéthylène réticulé à utiliser. Mesurer la distance entre le raccord situé sur la partie inférieure arrière gauche du congélateur et la canalisation. Ajouter 7 pi (2,1 m) pour permettre les opérations de nettoyage. Utiliser une canalisation en cuivre ou en polyéthylène réticulé de 1/4 po (6,35 mm) (diamètre externe). Veiller à ce que la canalisation en cuivre ou en polyéthylène réticulé soit coupée d'équerre aux deux extrémités.
 5. À l'aide d'une perceuse sans fil, percer un trou de 1/4 po (6,35 mm) dans la canalisation d'eau froide sélectionnée.

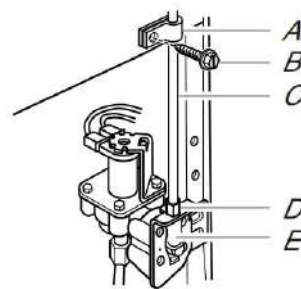


- | | |
|--|---------------------------|
| A. Canalisation d'eau froide | E. Virole de compression |
| B. Bride de tuyau | F. Robinet d'arrêt |
| C. Tuyau en cuivre ou en polyéthylène réticulé | G. Écrou de presse-étoupe |
| D. Écrou de compression | |

6. Fixer le robinet d'arrêt sur la canalisation d'eau froide avec la bride de tuyau. Veiller à bien insérer l'extrémité de sortie dans le trou de 1/4 po (6,35 mm) de la canalisation d'eau; veiller à placer correctement le joint sous la bride du tuyau. Serrer l'écrou de serrage. Serrer lentement et uniformément les vis fixant la bride de tuyau sur le tuyau afin d'assurer l'étanchéité du joint. Ne pas serrer excessivement, car ceci pourrait provoquer l'écrasement de la canalisation en cuivre ou en polyéthylène réticulé.
7. Enfiler la bague et l'écrou de compression sur la canalisation en cuivre ou en polyéthylène réticulé comme illustré. (Le tuyau en polyéthylène réticulé est fourni avec la virole de compression et l'écrou installés.) Insérer l'extrémité de la canalisation directement dans l'extrémité de sortie, aussi loin que possible. Visser l'écrou de compression sur l'extrémité de sortie du raccord à l'aide d'une clé à molette. Ne pas serrer excessivement.
8. Placer le bout libre de la canalisation dans un contenant ou évier et ouvrir le robinet principal d'alimentation en eau. Laisser l'eau s'écouler par la canalisation jusqu'à ce qu'elle soit limpide. Fermer le robinet d'arrêt de la canalisation d'eau. Lover le tube de cuivre ou de polyéthylène réticulé.

Raccordement au congélateur

1. Raccorder la canalisation en cuivre ou en polyéthylène réticulé au robinet d'arrivée d'eau à l'aide d'un écrou et d'une bague de compression, comme illustré. Serrer l'écrou de compression. Ne pas serrer excessivement.



- | | |
|--|----------------------------|
| A. Bride de tuyau | D. Écrou de compression |
| B. Vis de bride de tuyau | E. Orifice d'arrivée d'eau |
| C. Tuyau en cuivre ou en polyéthylène réticulé | |

2. À l'aide de la bride du tuyau à l'arrière du congélateur, fixer le tuyau au congélateur comme illustré. Ceci aide à éviter d'endommager le tube lorsque le réfrigérateur est poussé contre le mur.
3. Ouvrir le robinet d'arrêt.
4. Vérifier qu'il n'y a pas de fuites. Serrer tous les raccords (y compris les raccords du robinet) ou les écrous qui présentent des fuites.
5. La machine à glaçons comporte un filtre à eau incorporé. Si les caractéristiques de l'eau requièrent un second filtre à eau, installer celui-ci dans la canalisation d'eau de 1/4 po (6,35 mm) à l'une ou l'autre des extrémités de la canalisation. Se procurer un filtre à eau auprès de votre revendeur d'appareils ménagers le plus proche.

⚠ AVERTISSEMENT



Risque de décharge électrique

Brancher l'appareil sur une prise à 3 alvéoles reliée à la terre.

Ne pas enlever la prise de liaison à la terre.

Ne pas utiliser d'adaptateur.

Ne pas utiliser de rallonge.

Le non-respect de ces instructions peut causer un décès, un incendie ou une décharge électrique.

6. Brancher l'appareil dans une prise à 3 alvéoles reliée à la terre.

Porte du congélateur

Outils nécessaires : Clé à douille de 5/16 po, clé à douille de 3/8 po, couteau à mastic plat de 2 po

IMPORTANT :

- Toutes les illustrations mentionnées dans les instructions suivantes sont incluses plus loin dans ce manuel. Les illustrations correspondent à une porte s'ouvrant à droite (charnières installées à droite à l'usine).
- Si on souhaite seulement enlever et réinstaller les portes, voir les sections « Démontage – Portes et charnière » et « Réinstallation – Portes et charnières ».
- Avant de commencer, fermer la commande et retirer les aliments et tout balconnet réglable ou compartiment utilitaire de la porte.

Démontage – Porte et charnières



Vis de charnière à tête hexagonale

1. Débrancher le congélateur ou déconnecter la source de courant électrique.
2. Laisser la porte du congélateur fermée jusqu'au moment de la soulever pour la dégager de la caisse.

REMARQUE : Prévoir un support additionnel de la porte pendant le déplacement des charnières. La force d'attraction des aimants des portes ne suffit pas à les maintenir en place pendant la manutention.

3. Enlever les pièces de la charnière supérieure – voir l'illustration « charnière supérieure ».
4. Soulever la porte du congélateur pour la séparer de la charnière inférieure et de la caisse et la conserver à part.
5. Retirer les quatre vis de charnière à tête hexagonale et la charnière inférieure. Voir l'illustration « Charnière inférieure ».

Inversion du sens d'ouverture de la porte (facultatif – sur certains modèles)

IMPORTANT : Pour inverser le sens d'ouverture de la porte, suivre les instructions de la section « Inversion du sens d'ouverture de la porte (facultatif – sur certains modèles) ». Si vous ne souhaitez pas inverser le sens d'ouverture des portes, voir la section « Réinstallation des portes et des charnières ».

Armoire

1. Retirer les vis des trous de charnière de la caisse comme indiqué dans le graphique 2.
2. Retirer l'axe de charnière inférieure de la bride de charnière.
3. Retirer les œillets recouvrant les trous du côté opposé de la charnière inférieure.
4. Réinstaller l'axe de charnière dans l'autre trou de la bride de charnière. Voir l'illustration 3.
5. Réinstaller la bride de charnière sur la caisse à l'aide des quatre vis de charnière à tête hexagonale.

Porte

1. Sur certains modèles, enlever le bouchon d'obturation de charnière au sommet de la porte.
2. Retirer la butée de porte du bas de la porte.
3. Placer la butée de porte du côté opposé en s'assurant que le trou de la bride de butée de porte est parfaitement aligné avec le trou de la porte destiné à l'axe de charnière inférieure.
4. À l'aide des vis retirées à l'étape 2, fixer le support de butée de porte au bas de la porte.
5. Serrer toutes les vis. Conserver la porte du congélateur à part jusqu'à la mise en place de la charnière inférieure.

Réinstallation – Porte et charnières

REMARQUE : Si on inverse le sens d'ouverture de la porte, considérer l'image symétrique.

1. Assembler les pièces de la charnière inférieure (comme indiqué) et serrer les vis. Voir l'illustration « Charnière inférieure ». Réinstaller la porte du congélateur.
REMARQUE : Prévoir un support additionnel de la porte pendant le déplacement des charnières. La force d'attraction des aimants des portes ne suffit pas à les maintenir en place pendant la manutention.
2. Assembler les pièces de la charnière supérieure (voir l'illustration « charnière supérieure »). Ne pas serrer complètement les vis.

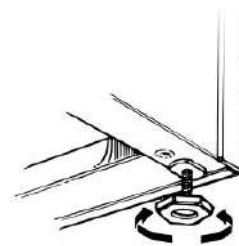
Étapes finales

1. Inspecter tous les trous. Vérifier que toutes les vis sont en place. Réinstaller le couvercle de la charnière supérieure. Voir l'illustration de la charnière inférieure.
2. À l'aide des œillets fournis, recouvrir les trous restants situés sur le côté opposé de la charnière inférieure.
3. Brancher à une prise à trois alvéoles reliée à la terre.
4. Réinitialiser la commande.
5. Réinstaller toutes les pièces amovibles de la porte et remettre les aliments dans le congélateur.

Nivellement du congélateur et fermeture de la porte

Style 1 – Sans grille

1. Repérer les deux pieds de nivellement avant fixés parmi les matériaux d'emballage.
2. Visser ces pieds dans les trous avant situés au bas du congélateur. L'arrière du congélateur repose sur deux supports fixes.
3. Ajuster suffisamment les pieds avant pour séparer la caisse du sol.
4. Placer un niveau au sommet de la caisse du congélateur transversalement, puis dans le sens avant-arrière. Pour soulever un coin, faire tourner le pied dans le sens antihoraire. Pour abaisser un coin, faire tourner le pied dans le sens horaire.



5. Répéter l'étape 4 jusqu'à ce que le congélateur soit d'aplomb.
6. Une fois le congélateur rempli d'aliments, vérifier de nouveau le niveau comme à l'étape 4.

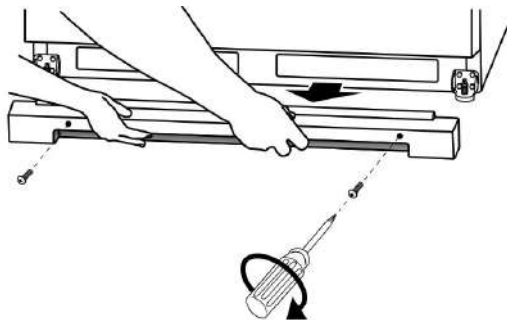
Style 2 – Avec grille

Le congélateur est équipé de deux pieds réglables – un de chaque côté. L'arrière du congélateur repose sur deux roulettes fixes. La grille de la base recouvre les pieds de stabilisation réglables. Avant de réaliser les ajustements, retirer la grille de la base et déplacer le congélateur à son emplacement définitif.

Outils nécessaires : Tourne-écrou de 1/4 po, tournevis cruciforme

1. Retirer les vis de la grille de la base. Saisir fermement la grille et la tirer vers soi. Ouvrir la porte du congélateur pour accéder aux pieds de stabilisation.

REMARQUE : Pour permettre au congélateur de rouler plus facilement, soulever le pied de stabilisation en le tournant dans le sens antihoraire.



2. Déplacer le congélateur jusqu'à son emplacement final.

IMPORTANT : Pour éviter d'endommager le sol lors du déplacement d'un produit, toujours faire attention à la manière dont le produit est déplacé et utiliser des mesures de protection. Éviter de tirer ou de pousser le produit, car cela peut créer des frottements et des rayures. À la place, soulever et porter, ou utiliser un morceau de tissu sous le produit pour éviter tout contact direct avec le sol.

3. Abaisser les pieds de stabilisation en les tournant dans le sens des aiguilles d'une montre, jusqu'à ce que les deux pieds de stabilisation soient bien en contact avec le sol. Cet arrangement vise à empêcher le congélateur de rouler vers l'avant à l'ouverture des portes.

IMPORTANT : Si des ajustements sont nécessaires par la suite et si cela comprend les pieds de stabilisation, les deux pieds de stabilisation doivent être tournés de façon égale pour conserver l'aplomb du congélateur. Pour les modèles verticaux, abaisser les pieds de stabilisation en les tournant dans le sens horaire, jusqu'à ce que les roulettes ne touchent plus le sol et que les deux pieds de stabilisation soient fermement en appui sur le sol. Pour éviter d'endommager le plancher, bien le recouvrir de carton ou de contreplaqué pendant le déplacement de l'appareil.

4. S'assurer que la porte ferme facilement. Si vous êtes satisfait de la facilité avec laquelle la porte s'ouvre et se ferme, sauter la section suivante. Cependant, si la porte ne ferme pas facilement ou qu'elle s'ouvre d'elle-même, régler l'inclinaison.

Ajustement de l'inclinaison de la caisse :

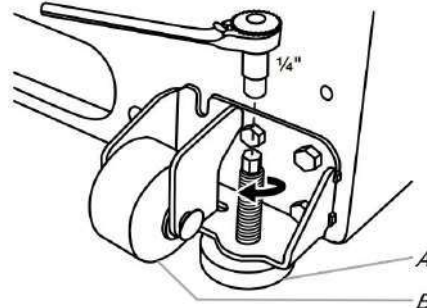
REMARQUE : Si une autre personne pousse le haut du congélateur, le poids devient moins lourd sur les pieds de stabilisation. Ceci facilite leur rotation.

- Ouvrir la porte du congélateur. Utiliser un tourne-écrou de 1/4 po pour tourner les deux pieds de stabilisation du même nombre de tours dans le sens horaire. Cela soulève l'avant du congélateur. Cela peut nécessiter plusieurs tours pour permettre à la porte de se fermer plus facilement.

5. S'assurer que le congélateur est stable. Si le congélateur semble instable ou qu'il roule vers l'avant lorsqu'on ouvre la porte, régler les pieds de nivellement.

Stabilisation du congélateur :

- Ouvrir la porte du congélateur. Utiliser un tourne-écrou de 1/4 po pour tourner les deux pieds de stabilisation du même nombre de tours dans le sens horaire, jusqu'à ce qu'ils soient fermement en appui sur le sol. Vérifier de nouveau. Si le résultat n'est pas satisfaisant, continuer de régler les pieds de nivellement en tournant la vis par demi-tours jusqu'à ce que le congélateur ne roule plus vers l'avant lors de l'ouverture de la porte.
6. Réinstaller la grille de la base en alignant les extrémités de la grille avec les dispositifs de nivellement de chaque côté et emboîter la grille. Réinstaller les vis cruciformes.



A. Pied de stabilisation

B. Rouleau avant (en option pour les modèles verticaux)

Retrait et réinstallation de la poignée (sur certains modèles)

Retrait de la poignée :

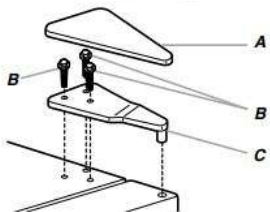
1. Desserrer les vis de blocage situées sur le côté de la poignée à chaque extrémité. Voir l'illustration « Inversion du sens d'ouverture de la porte et retrait de la poignée ».
2. Retirer la poignée des œillets.

Réinstallation de la poignée :

1. Placer la poignée sur les œillets en s'assurant que les œillets sont bien installés dans les trous de la poignée.
2. Serrer les vis de blocage supérieures et inférieures à l'aide de la clé à tête hexagonale fournie. Voir l'illustration « Inversion du sens d'ouverture de la porte et retrait de la poignée ». Ne pas serrer excessivement les vis de blocage.

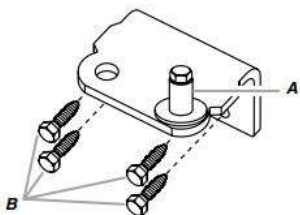
**Dépose et réinstallation
de la porte**

Charnière Supérieure



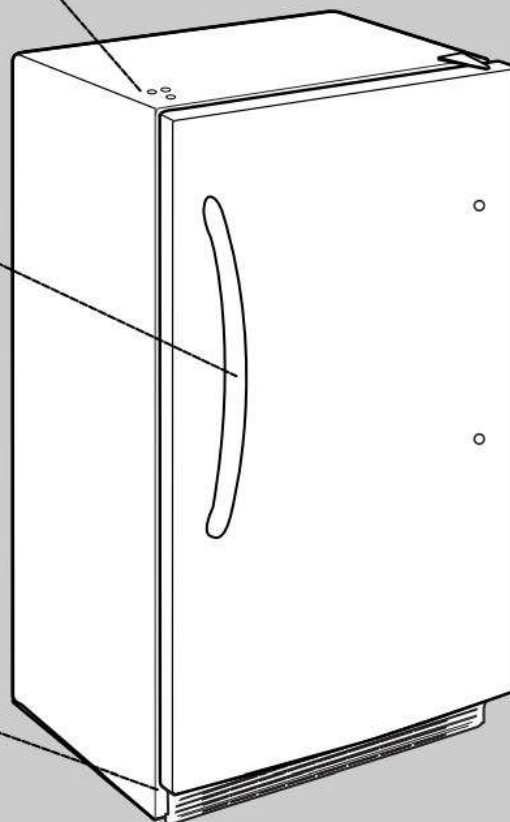
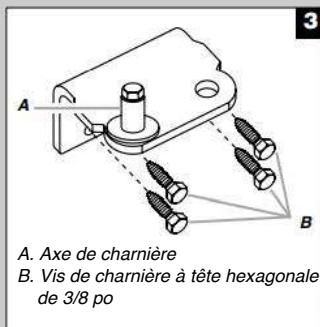
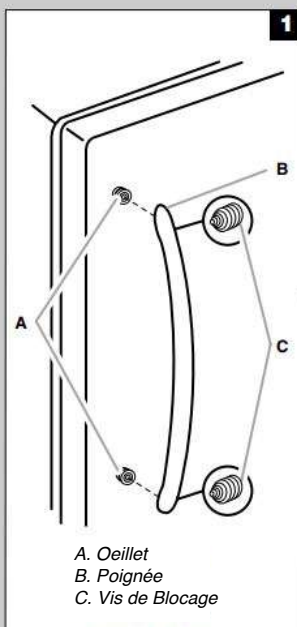
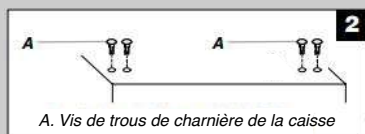
- A. Couvre-charnière supérieur
- B. Vis de charnière à tête hexagonale de 5/16 po
- C. Charnière Supérieure

Charnière Inférieure



- A. Axe de charnière
- B. Vis de charnière à tête hexagonale de 3/8 po

**Inversion du sens d'ouverture de la porte et retrait
de la poignée (facultatif)**

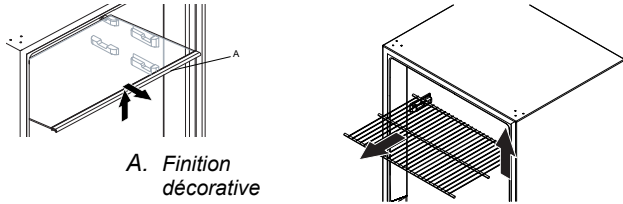


Tablettes du réfrigérateur

Conserver les aliments similaires ensemble et ajuster les tablettes pour les adapter à différentes hauteurs. Ceci réduira la durée d'ouverture de la porte du réfrigérateur et fera économiser de l'énergie.

Pour enlever et réinstaller une tablette :

1. Retirer la tablette en la soulevant et en la tirant pour l'extraire.



2. Réinstaller la tablette en la plaçant sur les supports situés sur les parois latérales.

REMARQUE : Lors de l'installation des tablettes, la finition décorative doit être placée à l'avant.

SEGURIDAD DEL CONGELADOR

Su seguridad y la de los demás son muy importantes.

Hemos incluido muchos mensajes importantes de seguridad en este manual y en su electrodoméstico. Lea y obedezca siempre todos los mensajes de seguridad.



Este es el símbolo de advertencia de seguridad.

Este símbolo le llama la atención sobre peligros potenciales que pueden ocasionar la muerte o una lesión a usted y a los demás.

Todos los mensajes de seguridad irán a continuación del símbolo de advertencia de seguridad y de la palabra "PELIGRO" o "ADVERTENCIA". Estas palabras significan:

▲ PELIGRO

Usted puede morir o sufrir una lesión grave si no sigue de inmediato las instrucciones.

▲ ADVERTENCIA

Si no sigue las instrucciones, puede morir o sufrir una lesión grave.

Todos los mensajes de seguridad le dirán cuál es el peligro potencial, cómo reducir las posibilidades de sufrir una lesión y lo que puede suceder si no se siguen las instrucciones.

INSTRUCCIONES IMPORTANTES DE SEGURIDAD

ADVERTENCIA: Para reducir el riesgo de incendio, descarga eléctrica o lesiones al usar el electrodoméstico, siga las siguientes precauciones básicas:

- Los niños deben estar bajo supervisión para garantizar que no jueguen con el electrodoméstico.
- Este electrodoméstico no se diseñó para ser usado por personas (incluidos niños) con capacidad física, sensorial o mental reducida, o con falta de experiencia y conocimiento, a menos que una persona responsable de su seguridad les brinde supervisión o instrucciones relativas al uso del electrodoméstico.
- No utilice un cable de extensión.
- Si el cable de suministro eléctrico está dañado, el fabricante, su servicio técnico o personas calificadas idóneas deben reemplazarlo para evitar cualquier riesgo.
- Conecte solamente al suministro de agua potable.
- Este electrodoméstico está diseñado para uso doméstico y aplicaciones similares, como áreas de cocina para el personal en tiendas, oficinas y otros entornos de trabajo; granjas; por parte de clientes en hoteles, moteles y otros entornos residenciales; posadas, servicios de comida y aplicaciones similares que no sean de venta al por menor.
- No guarde en este electrodoméstico sustancias explosivas, como latas en aerosol con propelente inflamable.
- No use piezas de repuesto que no hayan sido recomendadas por el fabricante (por ejemplo, piezas hechas en casa con una impresora 3D).
- Mantener libres de obstrucción las aperturas de ventilación en el envoltorio del aparato o de la estructura para empotrar.
- No utilizar dispositivos mecánicos u otros medios para acelerar el proceso de deshielo, diferentes a los que recomienda el fabricante.
- No dañar el circuito de refrigeración.
- No utilizar aparatos eléctricos dentro de los compartimientos de almacenamiento de alimento del aparato, a menos que sean del tipo que recomienda el fabricante.
- Se puede agregar el juego de fábrica de hielo en algunos modelos. Consulte la etiqueta del número de serie en el interior del compartimento de alimentos para obtener información sobre el modelo del juego de fábrica de hielo.
- La línea de agua y la fábrica de hielo deben ser instaladas por un técnico de servicio calificado. Consulte las instrucciones de instalación proporcionadas con el juego de fábrica de hielo para ver los detalles completos.

GUARDE ESTAS INSTRUCCIONES

Cómo deshacerse adecuadamente de su congelador anterior

ADVERTENCIA: Existe el riesgo de que los niños puedan quedar atrapados. Antes de tirar su viejo refrigerador o congelador:

- Retire las puertas.
- Deje los estantes en su lugar para que los niños no puedan introducirse con facilidad.

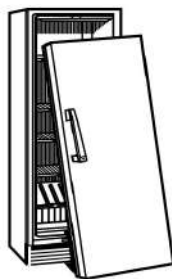
ADVERTENCIA

Peligro de asfixia

Quite las puertas o la tapa de su electrodoméstico viejo.

No seguir esta instrucción puede ocasionar la muerte o daño al cerebro.

IMPORTANTE: Los niños que quedan atrapados y la asfixia no son problemas del pasado. Los congeladores o los refrigeradores tirados y abandonados son un peligro, incluso si van a quedar ahí "por unos pocos días". Si está por deshacerse de su refrigerador o congelador viejo, siga estas instrucciones para ayudar a prevenir accidentes.



Información importante para saber acerca del desecho de refrigerantes:

Deseche el congelador según los reglamentos federales y locales. Los refrigerantes deberán ser evacuados por un técnico certificado en refrigeración por EPA (Agencia de protección del medio ambiente) según los procedimientos establecidos.

MANTENIMIENTO Y CUIDADO

Cómo limpiar su congelador sin escarcha (en algunos modelos)

ADVERTENCIA



Peligro de explosión

Riesgo de incendio o explosión.

Refrigerante inflamable utilizado.

No use dispositivos mecánicos para descongelar el refrigerador.

No perfore la tubería del refrigerante.

La frase "sin escarcha" significa que usted no debe descongelar el congelador. La escarcha se quita por medio del movimiento de aire y la recolección de la humedad y depositándola en el serpentín de enfriamiento. El serpentín de enfriamiento se calienta periódicamente lo suficiente como para derretir la escarcha, la cual fluye hacia abajo hasta la bandeja de drenaje (ubicada detrás de la rejilla de la base), donde se evapora.

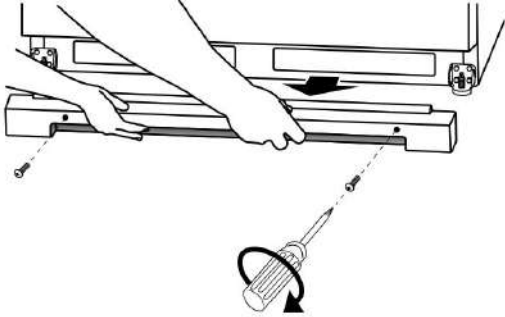
La limpieza completa debe hacerse por lo menos una vez al año.

1. Mantenga presionado Temp Setting (Ajuste de temperatura) durante 3 segundos o gire la perilla hasta la posición "0" para apagar la refrigeración.
2. Desenchufe el congelador o desconecte el suministro de energía.
3. Saque todos los alimentos congelados. Envuelva los alimentos congelados en varias capas de papel de periódico y cúbralos con una frazada. Los alimentos se mantendrán congelados por varias horas. También puede guardar los alimentos congelados en una hielera, en un refrigerador o congelador adicional o en una zona fresca.
4. Quite todas las partes desmontables del interior, tales como estantes y recipientes.
5. Lave a mano, enjuague y seque las piezas desmontables y las superficies interiores meticulosamente. Use una esponja limpia o un paño suave y un detergente suave en agua tibia.
 - No use productos de limpieza abrasivos o fuertes, como aerosoles para ventanas, productos de limpieza para pulir, líquidos inflamables, ceras para limpieza, detergentes concentrados, blanqueadores o productos de limpieza que contengan derivados del petróleo, para limpiar las piezas plásticas, los revestimientos interiores o de la puerta o las juntas. No use toallas de papel, estropajos para fregar ni otros utensilios de limpieza ásperos. Pueden rayar o dañar los materiales.
 - Para eliminar olores, puede lavar las paredes interiores con una mezcla de agua tibia y bicarbonato de sodio (2 cucharadas en un cuarto de galón [26 g en 0,95 l] de agua).
6. Vuelva a colocar las partes desmontables.

- Use el método de limpieza adecuado para el acabado exterior de su congelador.

Metal pintado: Lave el exterior con una esponja limpia o un paño suave y un detergente suave en agua tibia. No use productos de limpieza abrasivos ni ásperos o productos para acero inoxidable. Seque meticulosamente con un paño suave.

- Para quitar la rejilla de la base, abra la puerta del congelador y retire los dos tornillos Phillips. Tire de la rejilla hacia usted para retirarla.



Use una aspiradora con extensión para limpiar las bobinas del condensador cuando estén sucias o polvorientas. Es posible que deba limpiar las bobinas cada dos meses. Esto puede ahorrar energía.

- Para volver a colocar la rejilla de la base, alinee los extremos de la rejilla con los conjuntos niveladores que hay a cada lado y encaje la rejilla a presión en su lugar. Vuelva a instalar los tornillos.
- Vuelva a colocar todos los alimentos congelados.
- Enchufe el congelador o vuelva a conectar el suministro de energía.
- Ajuste el control de temperatura en la opción deseada.

Cómo descongelar y limpiar su congelador de descongelación manual (en algunos modelos)

⚠ ADVERTENCIA



Peligro de explosión

Riesgo de incendio o explosión.

Refrigerante inflamable utilizado.

No use dispositivos mecánicos para descongelar el refrigerador.

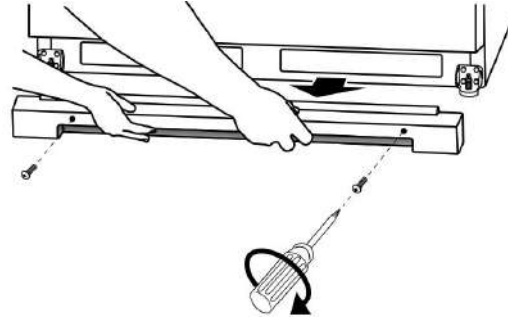
No perforo la tubería del refrigerante.

Descongele y limpie el congelador cuando se ha acumulado escarcha con un espesor máximo de aproximadamente 1/4" (0,6 cm). Además debe descongelar y limpiar exhaustivamente el congelador al menos una vez por año. En zonas de mucha humedad, es posible que deba descongelarse y limpiarse el congelador más seguido.

No use limpiadores abrasivos en el congelador. No use ceras de limpieza, detergentes concentrados, blanqueadores o limpiadores que contengan petróleo en las piezas de plástico. Puede dañarse.

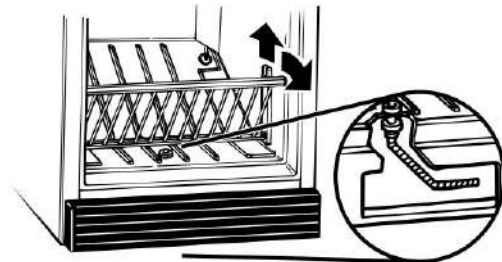
NOTA: La tapa de desagüe debe quitarse antes de descongelar el congelador y volver a colocarse seguramente después.

- Mantenga presionado Temp Setting (Ajuste de temperatura) durante 3 segundos o gire la perilla hasta la posición "0" para apagar la refrigeración.
- Desenchufe el congelador o desconecte el suministro de energía.
- Saque todos los alimentos congelados. Envuelva los alimentos congelados en varias capas de papel de periódico y cúbralos con una frazada. Los alimentos se mantendrán congelados por varias horas. También puede guardar los alimentos congelados en una hielera, en un refrigerador o congelador adicional o en una zona fresca.
- Quite la rejilla de la base. Abra la puerta del congelador y, para quitar la rejilla de la base, retire los dos tornillos Phillips y jale la rejilla hacia usted.



- Busque debajo de la unidad y jale la manguera de desagüe hacia fuera, a través de la abertura. La manguera de desagüe lleva el agua congelada fuera del congelador y a través del área detrás de la rejilla de la base. Coloque un recipiente grande y llano debajo de la manguera de desagüe. Saque la tapa de desagüe que está dentro del congelador.

NOTA: Fíjese con frecuencia en la bandeja recolectora para evitar que se desborde. Para facilitar el vaciado, tenga a mano una segunda bandeja.



- Coloque cacerolas con agua caliente en el congelador con la puerta abierta, de esta manera el hielo se derretirá más rápido. También ayudará si dirige el aire de un ventilador eléctrico hacia el congelador. No coloque el ventilador ni ningún otro aparato eléctrico en el congelador.
- Use una rasqueta de plástico para remover el hielo. **NOTA:** No use un picahielos, un cuchillo ni ninguna otra herramienta puntiaguda o filosa para descongelar el congelador. Puede dañarse.
- Limpie el agua de las paredes con una toalla o una esponja.
- Lave las paredes interiores con una solución de detergente suave en agua tibia o 2 cdas (26 g) de bicarbonato de sodio en 1 cuarto de galón (0,95 l) de agua tibia. No use productos de limpieza abrasivos o ásperos.
- Enjuague bien y seque con un paño limpio suave.

11. Use el método de limpieza adecuado para el acabado exterior de su congelador.

Metal pintado: Lave el exterior con una esponja limpia o un paño suave y un detergente suave en agua tibia. No use productos de limpieza abrasivos ni ásperos o productos para acero inoxidable. Seque meticulosamente con un paño suave.

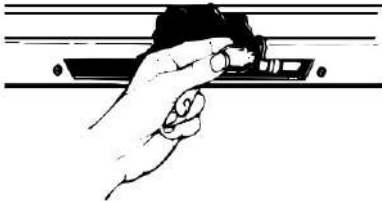
12. Para los modelos con sistema de desagüe, deberá volver a colocar la manguera de desagüe, la tapa de desagüe y la rejilla de la base.
13. Para volver a colocar la rejilla de la base, alinee los extremos de la rejilla con los conjuntos niveladores que hay a cada lado y encaje la rejilla a presión en su lugar. Vuelva a instalar los tornillos.
14. Vuelva a colocar todos los alimentos congelados.
15. Enchufe el congelador o vuelva a conectar el suministro de energía.
16. Ajuste el control de temperatura en la opción deseada.

Cómo cambiar el foco

NOTA: No todas los focos para electrodomésticos son adecuados para su congelador. Asegúrese de reemplazar el foco con otro del mismo tamaño, forma y vataje. No utilice focos LED o de color como reemplazo.

Estilo 1 – Modelos con descongelamiento manual

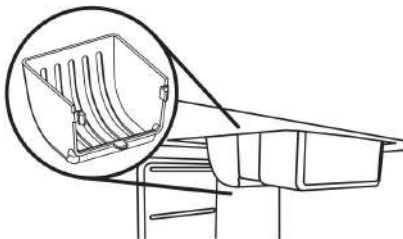
1. Desenchufe el congelador o desconecte el suministro de energía.
2. Para quitar el foco, debe hacerlo desde la parte posterior del lente de luz.



3. Reemplace el foco con uno para electrodomésticos de 40 W como máximo.
4. Enchufe el congelador o vuelva a conectar el suministro de energía.

Estilo 2 – Modelos con descongelamiento automático

1. Desenchufe el congelador o desconecte el suministro de energía.
2. Para quitar el protector de la luz, oprima la lente desde los lados, empuje hacia atrás y jale hacia abajo.



3. Cambie el foco con uno para electrodomésticos de 40 vatios como máximo o con un LED para lugares húmedos.
NOTA: No se recomiendan algunos focos LED de repuesto para ambientes húmedos. Los compartimientos para alimentos frescos del refrigerador y del congelador se consideran ambientes húmedos. Lea y siga todas las instrucciones del envase del LED cuando reemplace el foco instalado de fábrica. Puede comprar un foco LED de repuesto a un distribuidor autorizado.
4. Vuelva a colocar el protector de luz.

5. Enchufe el congelador o vuelva a conectar el suministro de energía.

Cerradura con mecanismo eyector de llave

⚠ ADVERTENCIA

Peligro de atrapamiento

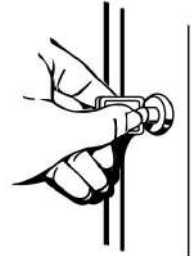
Mantenga la llave fuera del alcance de los niños.

No seguir esta instrucción puede ocasionar la muerte, asfixia o congelamiento.

Para cerrar o abrir el refrigerador con llave, mantenga la llave insertada en la cerradura mientras la gira. La cerradura tiene un mecanismo de resorte, de manera que la llave no puede dejarse en la cerradura.

Si se pierde la llave, comuníquese con su distribuidor para obtener una de repuesto. Siempre que solicite una llave de repuesto, proporcione el número de modelo y de serie de su refrigerador.

NOTA: Guarde la llave fuera del alcance de los niños. No la guarde cerca del congelador/refrigerador.

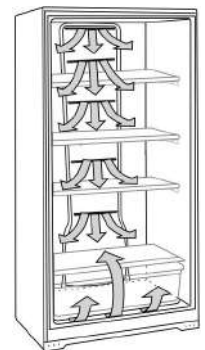


Cómo asegurar una circulación de aire adecuada

Para garantizar una temperatura adecuada, debe permitir un flujo de aire apropiado en el congelador. Como se muestra en la ilustración, el aire frío entra desde la pared del congelador y se mueve hacia abajo. Luego, el aire vuelve a circular a través del orificio de ventilación que está cerca de la base.

No bloquee estos orificios de ventilación con paquetes de alimentos. Si los orificios de ventilación están bloqueados, se restringirá el flujo del aire y se pueden producir problemas de temperatura y humedad.

IMPORTANTE: Para evitar la transferencia de olores y la deshidratación de los alimentos, envuélvalos o tápelos herméticamente.



Cortes de electricidad

Si no va a haber electricidad por 24 horas o menos, mantenga la puerta cerrada para ayudar a que los alimentos se mantengan fríos y congelados.

Si el corte de electricidad va a durar más de 24 horas, tome una de las siguientes medidas:

- Retire todos los alimentos congelados y guárdelos en una conservadora para comida congelada.
- Si no tiene una conservadora de alimentos, use todos los alimentos perecederos de una vez o póngalos en latas.

RECUERDE: Un congelador lleno se mantiene frío más tiempo que uno a medio llenar. Un congelador lleno de carne se mantiene frío más tiempo que uno lleno de alimentos de pastelería. Si ve que los alimentos contienen cristales de hielo, se pueden volver a congelar, pero la calidad y el sabor pueden verse afectados. Si el alimento no está en buenas condiciones, descártelo.

Cuidados en caso de mudanza

Si va a mudar el congelador a una casa nueva, siga estos pasos para prepararlo para la mudanza.

1. Saque todos los alimentos congelados.
2. Desenchufe el congelador.
3. Retire todas las piezas desmontables, envuélvalas bien y asegúrelas con cinta adhesiva para que no se sacudan durante la mudanza.
4. Limpie el congelador exhaustivamente.
5. Cierre el congelador con cinta adhesiva y asegure el cable eléctrico al gabinete con cinta adhesiva.

Cuando llegue a su nueva casa, consulte la Guía de inicio rápido y las Instrucciones de instalación del Manual del propietario para obtener información sobre la instalación y el ajuste de los controles.

INSTRUCCIONES DE INSTALACIÓN

Desempacar su congelador

⚠ ADVERTENCIA

Peligro de peso excesivo

Use dos o más personas para mover e instalar o desinstalar el electrodoméstico.

No seguir esta instrucción puede ocasionar lesiones en la espalda o de otro tipo.

Cómo quitar los materiales de empaque

- Retire los restos de cinta y pegamento de las superficies del congelador antes de encenderlo. Frote con los dedos un poco de detergente líquido para vajilla sobre el pegamento. Limpie con agua tibia y seque.
- No use instrumentos filosos, alcohol isopropílico, líquidos inflamables o limpiadores abrasivos para eliminar los restos de cinta o de adhesivo. Estos productos pueden dañar la superficie del congelador. Para obtener más información, vea la sección Seguridad del congelador.

Al mover el congelador

El congelador es pesado. Cuando mueva el congelador para la limpieza o para darle servicio, cerciórese de cubrir el piso con cartón o madera para evitar daños en él. Al mover el congelador, siempre tire en línea recta hacia afuera. No menee el congelador de lado a lado ni lo haga "caminar" cuando lo trate de mover ya que podría dañar el suelo.

Limpieza antes del uso

Una vez que haya quitado todos los materiales de empaque, limpie el interior de su congelador antes de usarlo. Vea las instrucciones de limpieza en la sección "Cuidado y mantenimiento".

Información importante para saber acerca de los estantes y tapas de vidrio:

No limpie los estantes y tapas de vidrio con agua caliente mientras estén fríos. Los estantes y tapas pueden romperse si se exponen a cambios bruscos de temperatura o a impactos, como sería un golpe brusco. El vidrio templado se ha diseñado para hacerse añicos. Esto es normal. Los estantes y tapas de vidrio son muy pesados. Use ambas manos al sacarlos para evitar que se caigan.

Requisitos eléctricos

⚠ ADVERTENCIA



Peligro de Choque Eléctrico

Conecte a un tomacorriente con conexión a tierra de 3 terminales.

No quite el terminal de conexión a tierra.

No use un adaptador.

No utilice un cable de extensión.

No seguir estas instrucciones puede ocasionar la muerte, un incendio o un choque eléctrico.

Antes de mover el congelador a su ubicación final, es importante asegurarse de tener la conexión eléctrica adecuada.

Método de conexión a tierra recomendado

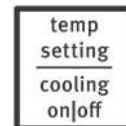
Se requiere un suministro eléctrico de 115 V, 60 Hz CA solamente, con fusibles de 15 A o 20 A, debidamente conectado a tierra. Se recomienda contar con un circuito por separado y de uso exclusivo para el congelador. Use un tomacorriente que no se pueda apagar con un interruptor. No use un cable eléctrico de extensión.

NOTA: Antes de realizar cualquier tipo de instalación, limpieza o de quitar un foco de luz, gire el control a "0" en los modelos de descongelación manual, o mantenga presionado Temp Setting (Ajuste de temperatura) durante 3 segundos en los modelos de descongelación automática para apagar el enfriamiento. Luego, desconecte el congelador de la fuente de suministro eléctrico.

Estilo 1 – Modelos con descongelamiento manual



Estilo 2 – Modelos con descongelamiento automático



hold 3 sec.

Requisitos de ubicación

⚠ ADVERTENCIA



Peligro de explosión

Mantenga los materiales y vapores inflamables, como la gasolina, alejados del electrodoméstico.

Use un limpiador no inflamable.

No seguir esta instrucción puede ocasionar la muerte, explosión o incendio.

Ventilación y holgura

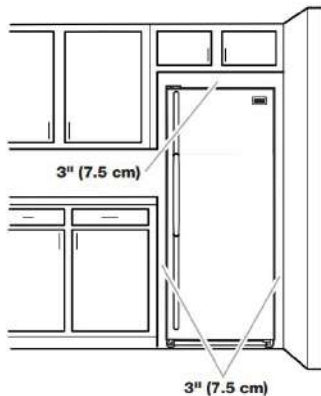
- Mantenga materiales y vapores inflamables, como la gasolina, alejados del congelador.
- No cubra el congelador con elementos como mantas, sábanas o manteles. Esto reduce la circulación de aire.
- Deje un espacio de al menos 3" (7,5 cm) a ambos lados del congelador y de 2" (5 cm) entre la parte posterior del congelador y la pared. Si el congelador va a estar junto a una pared fija, deje un espacio adicional del lado de la bisagra para que la puerta pueda abrirse con más amplitud.

Temperature (Temperatura)

El congelador funciona de manera más eficiente cuando se coloca en una zona donde la temperatura no cae por debajo de 40 °F (5 °C). Coloque el congelador en un lugar donde la temperatura no caiga por debajo de la temperatura recomendada.

Luego de colocar el refrigerador en su ubicación final

- Las siguientes dimensiones aplican a los congeladores verticales de 16", 18", 20" cuando no son Side Kick.



- Para Side Kicks y refrigeradores consulte la siguiente información.

NOTA: Este congelador puede instalarse al lado de otro congelador o refrigerador. Deje un espacio de 1" (2,54 mm) detrás del congelador y un espacio de 1/4" (6,4 mm) entre los electrodomésticos.

Requisitos del suministro de agua (en algunos modelos)

Reúna las herramientas y las piezas necesarias antes de comenzar la instalación. Lea y siga las instrucciones provistas con cualquiera de las herramientas detalladas aquí.

Herramienta necesaria:

- Destornillador de cabeza plana
- Llave para tuercas de 1/4"
- Broca de barrena de 1/4"
- Llaves de extremo abierto de 7/16" y 1/2" o dos llaves ajustables
- Taladro inalámbrico

NOTA:

El distribuidor de su congelador tiene un kit disponible de válvula de cierre tipo montura de 1/4" (6,35 mm), una unión y una tubería de cobre. Antes de comprar, asegúrese de que la válvula tipo montura cumple con los códigos de plomería locales. No use una válvula perforadora o una válvula de montura de 3/16" (4,76 mm) ya que reduce el flujo de agua y se obstruye con más facilidad.

IMPORTANTE:

- Si enciende el congelador antes de conectar la línea de agua, apague la fábrica de hielo.
- Todas las instalaciones deben hacerse de acuerdo con los requisitos locales de plomería.
- Use tubería de PEX y revise si hay fugas. Instale la tubería de PEX solo en áreas donde la temperatura permanezca por encima del punto de congelación.

Presión de agua

Se necesita un suministro de agua fría con presión de agua entre 30 y 120 psi (207 y 827 kPa) para hacer funcionar el despachador de agua y la fábrica de hielo. Si tiene preguntas acerca de la presión de agua, consulte "Solución de problemas" o llame a un plomero competente autorizado.

Suministro de agua por ósmosis inversa

Si el sistema de filtrado de agua por ósmosis inversa está conectado al suministro de agua fría, la presión de agua para el sistema de ósmosis inversa debe ser, como mínimo, de 40 y 60 psi (276 y 414 kPa).

Si la presión del agua del sistema de ósmosis inversa es menor a 40 y 60 psi (276 y 414 kPa), puede insertarse una bomba de empuje en la tubería pequeña que va desde la tubería de agua al sistema de ósmosis inversa.

Si el despachador de agua todavía no distribuye agua de manera apropiada:

- Verifique si el filtro de sedimentos del sistema de ósmosis inversa está bloqueado. Reemplácelo si es necesario.
- Deje que se vuelva a llenar el tanque de almacenamiento del sistema de ósmosis inversa después de un uso intenso.
- Si el refrigerador tiene un filtro de agua, puede reducir la presión de agua aún más si se usa junto con un sistema de ósmosis inversa. Quite el filtro de agua.

Si tiene preguntas acerca de la presión del agua, vea "Solución de problemas" o llame a un plomero competente autorizado.

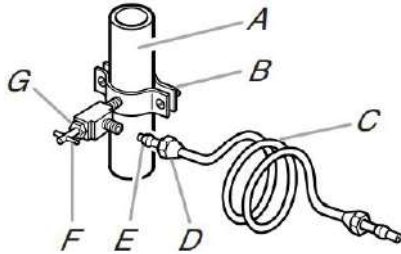
Conexión del suministro de agua

Cómo conectar a la línea de agua

1. Desenchufe el congelador o desconecte el suministro de energía.
2. Cierre el suministro principal de agua. Abra el grifo más cercano el tiempo suficiente como para limpiar la línea de agua.
3. Ubique una tubería vertical de agua fría de 1/2" a 1 1/4" (12,7 mm a 3,18 cm) cerca del congelador.

IMPORTANTE:

- Asegúrese de que sea una tubería de agua fría.
 - Si la tubería es horizontal funcionará de todos modos; pero taladre por el lado de arriba de la tubería, no por debajo. Esto ayudará a mantener el agua alejada del orificio taladrado y que no se acumule el sedimento habitual en la válvula.
4. Determine la longitud de la tubería de cobre o PEX que necesite. Mida desde la conexión de la parte baja posterior izquierda del congelador hasta la tubería de agua. Agregue 7 pies (2,1 m) para poder mover el refrigerador para limpiarlo. Use tubos de cobre o PEX de 1/4" (6,35 mm) de diámetro exterior. Asegúrese de que ambos extremos de la tubería de cobre o PEX estén cortados rectos.
 5. Con un taladro inalámbrico, haga un orificio de 1/4" (6,35 mm) en la tubería de agua fría que haya seleccionado.

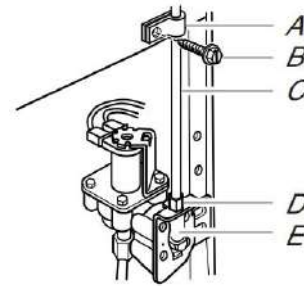


- A. Tubería de agua fría
- B. Abrazadera para tubería
- C. Tubería de cobre o PEX
- D. Tuerca de compresión
- E. Manga de compresión
- F. Válvula de cierre tubería
- G. Tuerca de presión

6. Sujete la válvula de cierre a la tubería de agua fría con una abrazadera para tubería. Asegúrese de que el extremo de salida esté firmemente insertado en el orificio taladrado de 1/4" (6,35 mm) de la tubería de agua y que la arandela esté debajo de la abrazadera de la tubería. Ajuste la tuerca de presión. Ajuste los tornillos de la abrazadera para tubería lentamente y de forma pareja de manera que la arandela se cierre herméticamente. No apriete demasiado porque puede aplastar la tubería de cobre o PEX.
7. Deslice la manga y la tuerca de compresión sobre la tubería de cobre o PEX como se muestra. (La tubería de PEX se suministra junto con la manga de compresión y la tuerca instaladas). Inserte el extremo de la tubería en el extremo de salida en ángulo recto hasta donde sea posible. Atornille la tuerca de compresión al extremo de salida con una llave ajustable. No ajuste demasiado.
8. Coloque el extremo libre de la tubería en un recipiente o fregadero, y abra el suministro principal de agua. Enjuague la tubería hasta que el agua salga limpia. Cierre la válvula de cierre del tubo de agua. Enrolle la tubería de cobre o PEX.

Cómo conectar al congelador

1. Fije la tubería de cobre o PEX a la entrada de la válvula con una tuerca y manga de compresión, como se muestra. Ajuste la tuerca de compresión. No ajuste demasiado.



- A. Abrazadera para tubería
- B. Tornillo de la abrazadera para tubería
- C. Tubería de cobre o PEX
- D. Tuerca de compresión
- E. Entrada de la válvula

2. Use la abrazadera para tubería en la parte posterior del congelador para asegurar la tubería al congelador, según se muestra. Esto evitará daños en la tubería cuando se vuelva a empujar el congelador contra la pared.
3. Abra la válvula de cierre.
4. Revise si hay fugas. Ajuste las conexiones (incluso las conexiones de la válvula) o las tuercas que tengan fugas.
5. La fábrica de hielo está equipada con un filtro de agua integrado. Si las condiciones del agua local requieren un segundo filtro de agua, lo debe instalar en la línea de agua de 1/4" (6,35 mm) en cualquiera de las conexiones de la tubería. Obtenga un filtro de agua en el distribuidor de electrodomésticos más cercano a su domicilio.

⚠ ADVERTENCIA



Peligro de Choque Eléctrico

Conecte a un tomacorriente con conexión a tierra de 3 terminales.

No quite el terminal de conexión a tierra.

No use un adaptador.

No utilice un cable de extensión.

No seguir estas instrucciones puede ocasionar la muerte, un incendio o un choque eléctrico.

6. Conecte a un tomacorrientes de conexión a tierra de 3 terminales.

Puerta del congelador

Herramientas necesarias: Llave de cubo de cabeza hexagonal de 5/16", llave de cubo de cabeza hexagonal de 3/8", cuchillo plano para masilla de 2"

IMPORTANTE:

- Todas las ilustraciones a las que se hace referencia en las siguientes instrucciones se incluyen al final de este manual. Las ilustraciones muestran una puerta con sentido de apertura hacia la derecha (bisagras instaladas en fábrica a la derecha).
- Si solo quiere quitar las puertas y volver a colocarlas, consulte las secciones Quitar puerta y bisagras y Volver a colocar puertas y bisagras.
- Antes de comenzar, apague el control, saque los alimentos y la puerta regulable o los recipientes de uso general de la puerta.

Cómo quitar la puerta y las bisagras



Tornillos de cabeza hexagonal para bisagras

1. Desenchufe el congelador o desconecte el suministro de energía.
2. Mantenga la puerta del congelador cerrada hasta que esté listo para levantarla y quitarla del gabinete.
NOTA: Mientras quita las bisagras, siempre disponga de un soporte adicional para la puerta. No se confíe en que los imanes de las puertas vayan a sostenerla mientras trabaja.
3. Quite los componentes de la bisagra superior como se muestra en la ilustración Bisagra superior.
4. Levante y quite la puerta del congelador de la bisagra inferior y el gabinete, y déjela a un lado.
5. Retire los 4 tornillos de bisagra de cabeza hexagonal y el conjunto de la bisagra inferior. Consulte la ilustración Bisagra inferior.

Cambio del sentido de apertura de la puerta (opcional, en algunos modelos)

IMPORTANTE: Si desea cambiar el sentido de apertura de la puerta para que se abra en el sentido opuesto, continúe con las instrucciones en Cambio del sentido de apertura de la puerta (opcional, en algunos modelos). Si no desea cambiar el sentido de apertura de la puerta, consulte Cómo volver a poner la puerta y las bisagras en su lugar.

Gabinete

1. Quite los tornillos del orificio de la bisagra del gabinete, como se muestra en la Ilustración 2.
2. Quite el pasador de la bisagra inferior del soporte de la bisagra.
3. Quite las calcomanías que cubren los agujeros en el lado opuesto a la bisagra inferior.
4. Vuelva a colocar el pasador de la bisagra inferior en el agujero alternativo del soporte de la bisagra. Consulte la Ilustración 3.
5. Vuelva a instalar el soporte de la bisagra en el gabinete con los cuatro tornillos de cabeza hexagonal para bisagra.

Puerta

1. En algunos modelos, quite el tapón del orificio de la bisagra de la parte superior de la puerta.
2. Saque el retén de la parte inferior de la puerta.
3. Mueva el retén de la puerta al lado opuesto y asegúrese de que el agujero en el soporte del retén de la puerta esté perfectamente alineado con el agujero en el pasador de la bisagra inferior.
4. Con los tornillos que quitó en el paso 2, vuelva a ajustar el soporte del retén a la parte inferior de la puerta.

5. Ajuste todos los tornillos. Ponga la puerta a un lado hasta que se haya instalado la bisagra inferior en su lugar.

Cómo volver a poner la puerta y las bisagras en su lugar

NOTA: Si el sentido de apertura de la puerta se cambia, la imagen de la puerta puede quedar invertida.

1. Vuelva a poner los componentes de la bisagra inferior en su sitio como se indica, y apriete los tornillos. Consulte la ilustración Bisagra inferior. Vuelva a poner en su lugar la puerta del congelador.
NOTA: Mientras quita las bisagras, siempre disponga de un soporte adicional para la puerta. No se confíe en que los imanes de las puertas vayan a sostenerla mientras trabaja.
2. Ensamble los componentes de la bisagra superior como se muestra en la ilustración Bisagra superior. No ajuste los tornillos por completo.

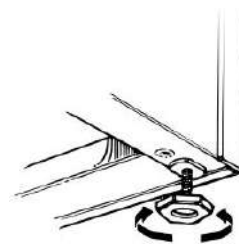
Pasos finales

1. Verifique que todos los orificios tengan sus tornillos instalados. Vuelva a instalar la cubierta de la bisagra superior. Consulte la ilustración "Bisagra superior".
2. Con las calcomanías proporcionadas, cubra los orificios restantes ubicados en el lado opuesto a la bisagra inferior.
3. Conecte el equipo a una toma de corriente de 3 terminales con conexión a tierra.
4. Vuelva a ajustar el control.
5. Vuelva a colocar todas las partes removibles a la puerta y la comida al congelador.

Nivelación y cierre de la puerta del congelador

Estilo 1 – Sin parrilla

1. Ubique las dos patas niveladoras delanteras que están pegadas con cinta adhesiva entre los materiales de empaque.
2. Atornille estas patas dentro de los orificios frontales que están en la base del congelador. La parte posterior del congelador descansa en los dos soportes fijos.
3. Regule las patas delanteras lo necesario para levantar el gabinete del suelo.
4. Coloque una herramienta para nivelar en la parte superior del congelador, primero de lado a lado y luego de adelante hacia atrás. Gire la pata hacia la izquierda para levantar una esquina. Gire la pata hacia la derecha para bajar una esquina.



5. Repita el paso 4 hasta que el congelador quede nivelado.
6. Después de haber llenado el congelador con alimentos, verifique con un nivel, como en el paso 4.

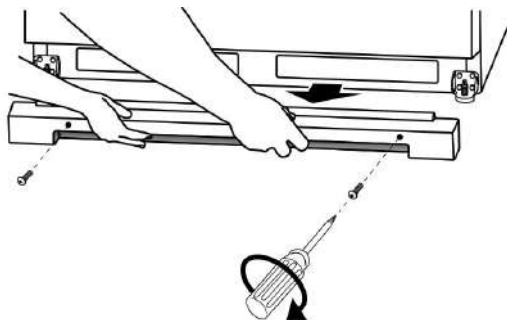
Estilo 2 – Con rejilla

Su congelador tiene dos patas ajustables, una a cada lado. La parte posterior del congelador descansa en dos rodillos fijos. La rejilla de la base cubre las patas de freno ajustables. Antes de hacer cualquier ajuste, quite la rejilla de la base y traslade el congelador hacia su ubicación final.

Herramientas necesarias: Llave hexagonal de 1/4", destornillador Phillips

1. Quite los tornillos de la rejilla de la base. Sujete firmemente la rejilla y tire de ella hacia usted. Abra la puerta del congelador para acceder a las patas con freno.

NOTA: Para permitir que el congelador se deslice con más facilidad, levante las patas con freno girándolas hacia la izquierda.



2. Mueva el refrigerador a su ubicación final.

IMPORTANTE: Para prevenir daños en el piso durante el traslado del producto, preste atención a cómo lo mueve y utilice elementos de protección adecuados. Evite arrastrar o empujar, ya que esto puede crear fricción y arañazos. Como alternativa, levante y transporte el producto, o utilice un paño debajo para evitar el contacto directo con el suelo.

3. Gire las patas con freno en sentido horario para bajarlas, asegurándose de que ambas estén firmemente apoyadas en el piso. Esto evita que el congelador ruede hacia delante al abrir su puerta.

IMPORTANTE: Si necesita hacer otros ajustes con las patas con freno, deberá girarlas por igual para mantener nivelado el refrigerador. En los modelos SideKick, baje las patas con freno girándolas en el sentido de las agujas del reloj, hasta que las ruedas queden suspendidas del piso y ambas patas con freno estén firmemente apoyadas. Asegúrese de cubrir el piso con cartón o madera delgada al mover el electrodoméstico, para evitar daños en la superficie.

4. Cerciórese de que la puerta se cierre con facilidad. Si está satisfecho con la abertura y el cierre de la puerta, saltee la próxima sección. Si la puerta no se cierra con facilidad o se abre de golpe, regule la inclinación.

Cómo regular la inclinación del gabinete:

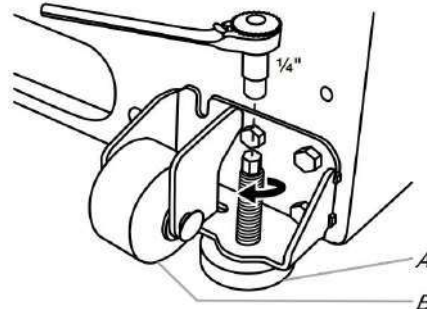
NOTA: Para quitar un poco de peso de las patas con freno, pídale a alguien que empuje la parte superior del congelador. Esto permite girarlas con mayor facilidad.

- Abra la puerta del congelador. Use un destornillador hexagonal de 1/4" (0.64 cm) para girar por igual ambas patas con freno en sentido horario. Esto hará que se levante el frente del congelador. Es posible que tome varias vueltas para permitir que la puerta se cierre con más facilidad.

5. Asegúrese de que el congelador esté estable. Si el congelador parece inestable o se desliza hacia delante cuando se jala la puerta para abrirla, regule las patas con freno.

Para estabilizar el congelador:

- Abra la puerta del congelador. Con un destornillador hexagonal de 1/4", gire ambas patas con freno en sentido horario por igual hasta que queden ajustadas contra el piso. Verifique de nuevo. Si no está satisfecho, continúe regulando las patas con freno girando el tornillo media vuelta hasta que el congelador no ruede hacia delante cuando se abra la puerta.
6. Para volver a colocar la rejilla de la base, alinee los extremos de la rejilla con los conjuntos niveladores que hay a cada lado y encaje la rejilla a presión en su lugar. Vuelva a instalar los tornillos Phillips.



A. Pata con freno

B. Rodillo delantero (solo en modelos SideKick, opcional)

Cómo quitar y volver a colocar la manija (en algunos modelos)

Para quitar la manija:

1. Afloje los tornillos fijos ubicados en el lado de la manija, en cada extremo. Consulte la ilustración Inversión del sentido de apertura de la puerta y remoción de la manija.
2. Quite la manija de los aros de refuerzo.

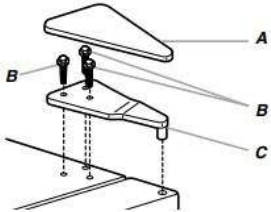
Para volver a colocar la manija:

1. Coloque la manija sobre los aros de refuerzo y asegúrese de que estén ajustados dentro de los orificios de la manija.
2. Apriete los tornillos fijos superior e inferior con la llave hexagonal provista. Consulte la ilustración Inversión del sentido de apertura de la puerta y remoción de la manija. No ajuste demasiado los tornillos fijos.

Retiro & Reemplazo de puertas

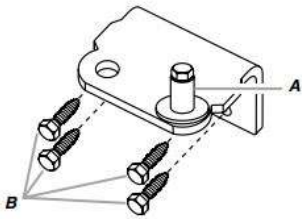
Inversión del sentido de apertura de la puerta y remoción de la manija (opcional)

Bisagra Superior



- A. Cubierta de la Bisagra Superior
- B. Tornillos de Cabeza Hexagonal de 5/16" Para Bisagra
- C. Bisagra Superior

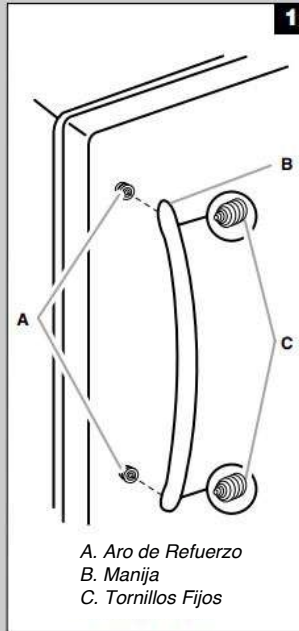
Bisagra Inferior



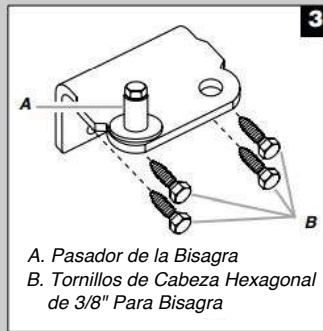
- A. Pasador de la Bisagra
- B. Tornillos de Cabeza Hexagonal de 3/8" Para Bisagra



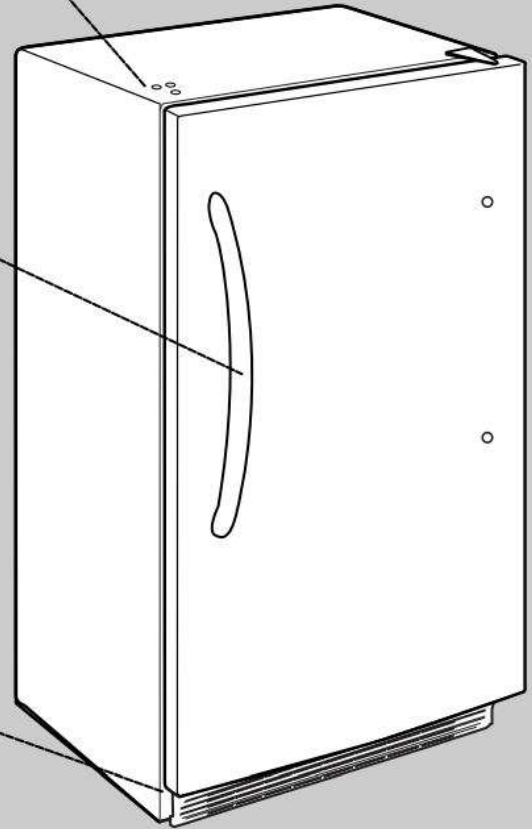
- A. Tornillos del Orificio de las Bisagras del Gabinete



- A. Aro de Refuerzo
- B. Manija
- C. Tornillos Fijos



- A. Pasador de la Bisagra
- B. Tornillos de Cabeza Hexagonal de 3/8" Para Bisagra

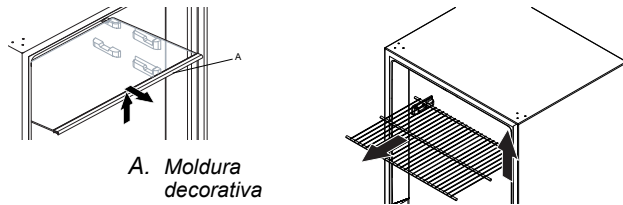


Estantes del refrigerador

Agrupe los alimentos similares y ajuste los estantes para que se adapten a las diferentes alturas. Esto reduce el tiempo que la puerta del refrigerador está abierta a la vez que ahorra energía.

Para quitar y volver a colocar un estante:

1. Para quitar el estante, levántelo y jálalo directamente hacia fuera.



2. Para volver a colocar el estante, deslícelo sobre los soportes de la pared lateral.

NOTA: Durante la instalación de los estantes, asegúrese de que la moldura decorativa quede hacia el frente.