

French Door Refrigerators

- Counter Depth / 30" width / 17.7 cu.ft.
- Counter Depth / 36" width / 20.3 cu.ft



KKFDR30x17.5-SS
KKFDR36x20.3-SS

Use & Care Guide

TABLE OF CONTENTS

Important Safeguards	3
Electrical & Grounding Requirements	5
Product Overview	7
Refrigerator Installation	8
Using Your Refrigerator	10
Food Storage Guide	17
Care and Maintenance	20
Troubleshooting Guide	22
Warranty	28

IMPORTANT SAFETY INSTRUCTIONS

BASIC SAFETY PRECAUTIONS

This guide contains many important safety messages. Always read and obey all safety messages.



This is the safety alert symbol. It alerts you to safety messages that inform you of hazards that can kill or hurt you or others, or cause damage to the product.

All safety messages will be preceded by the safety alert symbol and the hazard signal word DANGER, WARNING or CAUTION. These words mean:



You will be killed or seriously injured if you do not follow instructions.



You can be killed or seriously injured if you do not follow instructions.



Indicates an imminently hazardous situation which, if not avoided, may result in minor or moderate injury, or product damage.

All safety messages will identify the hazard, tell you how to reduce the chance of injury, and tell you what can happen if the instructions are not followed.



To reduce the risk of fire, electric shock, or personal injury when using your product, basic safety precautions should be followed, including the following.

Read all instructions before using this appliance.

- NEVER unplug your refrigerator by pulling on the power cord. Always grip the plug firmly and pull it straight out from the outlet.
- Immediately repair or replace all power cords that have become frayed or otherwise damaged. Do not use a cord that shows cracks or abrasion damage along its length or at either the plug or connector end.
- DO NOT modify or extend the power cord length. It could cause electric shock or fire.
- When moving your refrigerator away from the wall, be careful not to roll over or damage the power cord.
- The insulation in this unit contains cyclopentane or a pentane-like gas which is flammable and requires a special elimination process. Before discontinuing use of this refrigerator, contact local authorities to arrange for safe disposal of the unit.
- **Hydrocarbon (HC) Warning** - Your product's cooling system contains R600a! This gas is flammable. Therefore pay attention not to damage the cooling system or piping during use and transportation. If damaged, keep the product away from potential fire sources that may cause it to catch fire and ventilate the room where the product is placed.
- DO NOT store or use gasoline or other flammable vapors and liquids in the vicinity of this or any other appliance.
- DO NOT store explosive substances such as aerosol cans containing flammable propellants in this appliance.

IMPORTANT SAFETY INSTRUCTIONS

- DO NOT allow children to climb, stand, or hang on the refrigerator doors or shelves in the refrigerator. They could damage the refrigerator and seriously injure themselves.
- Keep fingers out of pinch point areas; clearances between the doors and cabinets are necessarily small. Be careful closing doors when children are in the area.
- Unplug your refrigerator before cleaning or making any repairs.

NOTE - It is strongly recommended that any service be performed by a qualified technician.

- Before service is performed on the interior LED lighting, unplug the refrigerator or turn off power at the circuit breaker or fuse box.

NOTE - The refrigerator and freezer compartment lights are LED interior lighting, and service should be performed by a qualified technician.

⚠ WARNING - Setting either or both controls to the OFF position does not remove power to the light circuit.

- When you are finished, reconnect the refrigerator to the electrical source and reset the controls to the desired setting.
- This refrigerator must be properly installed in accordance with the Attention Installer Instructions that were taped to the front of the refrigerator.
- After your refrigerator is in operation, do not touch the cold surfaces in the freezer compartment when hands are damp or wet. Skin may adhere to the extremely cold surfaces.
- DO NOT touch the automatic ice making mechanism while the refrigerator is plugged in.
- DO NOT refreeze frozen foods which have thawed completely. The United States Department of Agriculture in Home and Garden Bulletin No. 69 says:

" ... You may safely refreeze frozen foods that have thawed if they still contain ice crystals or if they are still cold-below 39.2°F. ..."

" ... Thawed ground meats, poultry or fish that have any off-odor or off-color should not be refrozen and should not be eaten. Thawed ice cream should be discarded. If the odor or color of any food is poor or questionable, dispose of it. The food may be dangerous to eat. ..."

Even partial thawing and refreezing reduces the eating quality of foods, particularly fruits, vegetables and prepared foods. The eating quality of red meats is affected less than that of many other foods. Use refrozen foods as soon as possible to save as much of their quality as you can.

⚠ WARNING - Cancer risk from exposure to Di-iso-nonyl phthalate

- www.P65Warnings.ca.gov.

IMPORTANT SAFETY INSTRUCTIONS

! CAUTION

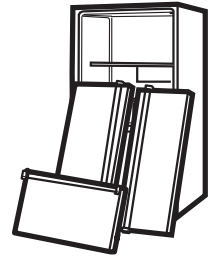
- This appliance is not intended for use by persons (including children) with reduced physical, sensory or mental capabilities, or lack of experience and knowledge, unless they have been given supervision or instruction concerning use of the appliance by a person responsible for their safety.
- Children should be supervised to ensure that they do not play with the appliance.

! DANGER - RISK OF CHILD ENTRAPMENT

Junked or abandoned refrigerators are dangerous, even if they are sitting for only a few days. If you are getting rid of your old refrigerator, please follow the instructions below to help prevent accidents, child entrapment and suffocation.

BEFORE YOU THROW AWAY YOUR OLD REFRIGERATOR:

- Take off the doors.
- Leave the shelves in place so that children may not easily climb inside.



CFC/HCFC DISPOSAL

- Your old refrigerator may have a cooling system that used CFCs or HCFCs (chlorofluorocarbons or hydrochlorofluorocarbons). CFCs and HCFCs are believed to harm stratospheric ozone if released to the atmosphere. Other refrigerants may also cause harm to the environment if released to the atmosphere.
- If you are throwing away your old refrigerator, make sure the refrigerant is removed for proper disposal by a qualified technician. If you intentionally release refrigerant, you may be subject to fines and imprisonment under provisions of environmental legislation.

ELECTRICAL & GROUNDING REQUIREMENTS

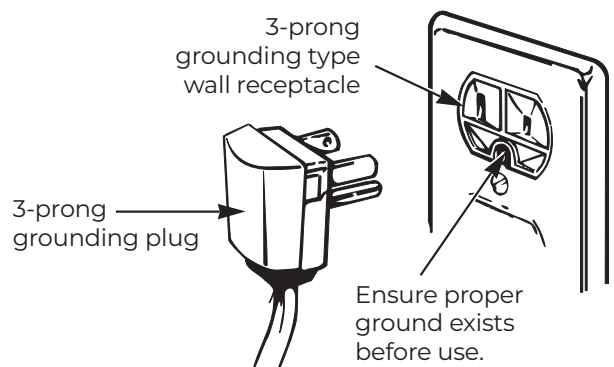
IMPORTANT! Please read carefully.

TO CONNECT ELECTRICITY

! WARNING

ELECTRICAL SHOCK HAZARD

FOR PERSONAL SAFETY, this appliance must be properly grounded. Have the wall outlet and the circuit checked by a qualified electrician to make sure the outlet is properly grounded.



ELECTRICAL & GROUNDING REQUIREMENTS

RECOMMENDED GROUNDING METHOD

- The refrigerator should always be plugged into its own individual properly grounded electrical outlet rated for 115 Volts, 60 Hz, AC only, and fused at 15 amperes (minimum). This provides the best performance and also prevents overloading house wiring circuits which could cause a fire hazard from overheated wires. It is recommended that a separate circuit serving only this appliance be provided.
- Use a receptacle that cannot be turned off with a switch or pull chain.
- Do not use an extension cord.
- Where a standard two-prong wall outlet is encountered, it is your personal responsibility and obligation to have it replaced with a properly grounded three-prong wall outlet.

USE OF EXTENSION CORDS

WARNING

Do not use extension cords or ungrounded (two-prong) adaptors. Because of potential safety hazards under certain conditions, the use of an extension cord is not recommended. However, if you still elect to use an extension cord, it is absolutely necessary that it be a UL-listed (USA), 3-wire grounding type appliance extension cord having a grounding type plug and outlet, and that the electrical rating of the cord be 15 amperes (minimum) and 120 volts.

Use of an extension cord will increase the clearance needed for the back of the refrigerator.

CAUTION

- Do not bend the power cord excessively or place heavy articles on it.
- Connect the power plug in the proper position with the cord hanging down.
- When moving the refrigerator, be careful not to roll over or damage the power cord.
- If the power cord is damaged, have it replaced immediately by the manufacturer or its service agent.
- Do not insert the power plug with wet hands.
- Do not insert your hands into the area under the bottom of the appliance.
- Make sure that the power plug is not squashed or damaged by the back of the refrigerator.

WARNING

REPLACING ELECTRICAL CORD

To avoid hazard, damaged power cords must be replaced by the manufacturer or its service agent or a similarly qualified technician. Do not operate the appliance with a damaged power cord.

SAVE THESE INSTRUCTIONS

PRODUCT OVERVIEW

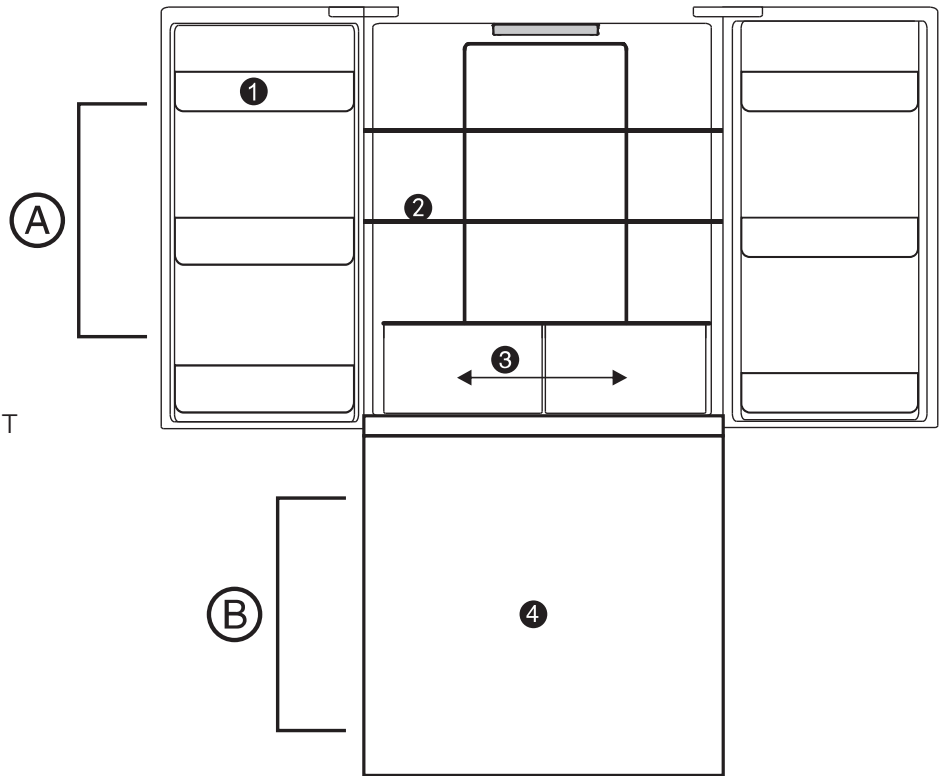
Model # KKFDR30x17.5-SS

A - REFRIGERATOR COMPARTMENT

- 1 - Door bins
- 2 - Glass shelves
- 3 - Crisper

B - FREEZER COMPARTMENT

- 4 - Freezer drawer



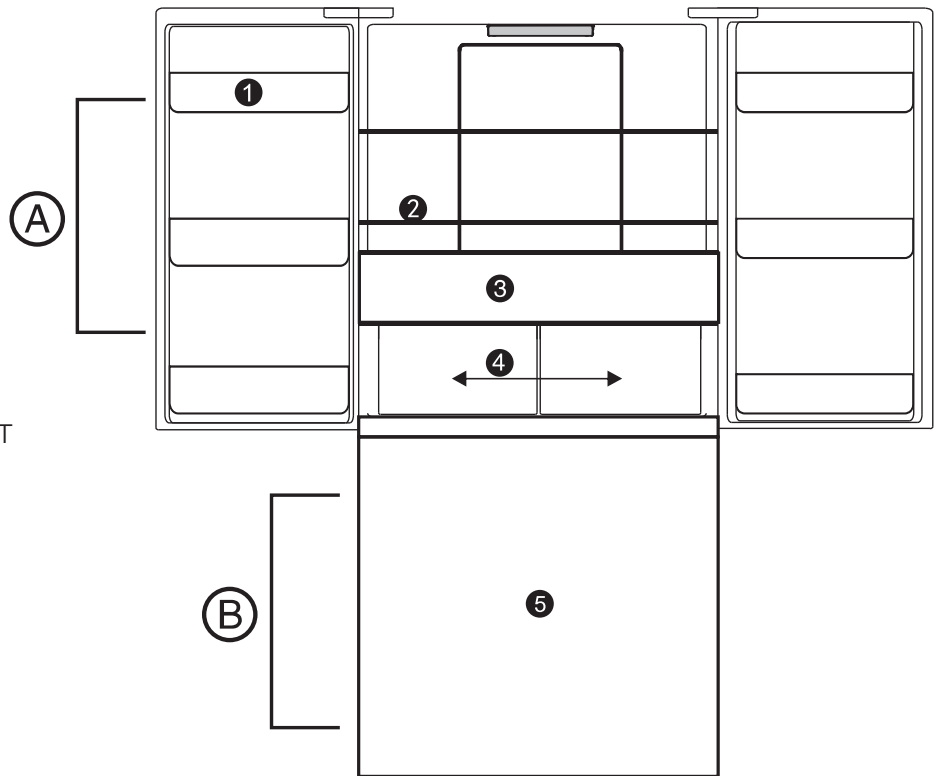
Model # KKFDR36x20.3-SS

A - REFRIGERATOR COMPARTMENT

- 1 - Door bins
- 2 - Glass shelves
- 3 - Full width crisper
- 4 - Crisper

B - FREEZER COMPARTMENT

- 5 - Freezer drawer



Use this page to become more familiar with the parts and features of the refrigerator.

NOTE - This guide covers several different models. The refrigerator you have purchased may have some or all of the items listed. The locations of the features shown may not match your model.

REFRIGERATOR INSTALLATION

WARNING - EXCESSIVE WEIGHT HAZARD

Use two or more people to move and install the refrigerator. Failure to do so can result in back or other injury.

UNPACKING THE REFRIGERATOR

- Remove tape and any temporary labels from the refrigerator before using. Do not remove any warning labels, the model and serial number label, or the Tech Sheet that is located under the front of the refrigerator, behind the base grille.
- To remove any remaining tape or glue, rub the area briskly with your thumb. Tape or glue residue can also be easily removed by rubbing a small amount of liquid dish soap over the adhesive with your fingers. Wipe with warm water and then dry with a soft cloth.
- Do not use sharp instruments, rubbing alcohol, flammable fluids, or abrasive cleaners to remove tape or glue. These products can damage the surface of the refrigerator.
- Refrigerator shelves are installed in the shipping position. Please reinstall shelves according to your individual storage needs.

NOTE - This appliance is intended to be used in household and similar applications such as:

- staff kitchen areas in shops, offices and other working environments
- farm houses and by clients in hotels, motels and other residential environments
- bed and breakfast environments
- catering and similar non-retail applications.

This product is not to be used for special purposes such as the storage of medicine or test materials, or for use on ships, etc.

WARNING - EXCESSIVE WEIGHT HAZARD

The refrigerator is heavy. When moving the refrigerator for cleaning or service, be sure to protect the floor. Always pull the refrigerator straight out when moving it. Do not wiggle or walk the refrigerator when trying to move it, as floor damage could occur.

WARNING - EXPLOSION HAZARD

Keep flammable materials and vapors, such as gasoline, away from the refrigerator. Failure to do so can result in fire, explosion, or death.

WARNING - ADJUSTABLE PLASTIC FEET

- When the refrigerator stays in the packing box, plastic feet are in tightened state. After carrying it out from the packing box for placement, please make sure to adjust two front plastic feet until the height is suitable with a wrench or directly by hand.
- Plastic feet and rear rollers must touch the ground to prevent the refrigerator from movement, vibration or noise.
- When moving the refrigerator, adjust plastic feet counterclockwise to keep them off the ground, and then push the refrigerator gently to move it.

WARNING

Be careful when you work with the hinge, stopper, etc. You may be injured. To avoid risk of injury or electrical shock, do not put hands or metal objects into the air vents or bottom opening of the refrigerator.

WARNING - SHOCK HAZARD

To reduce the risk of electric shock, do not install the refrigerator in a wet or damp area.

REFRIGERATOR INSTALLATION

INSTALLATION

- The refrigerator should always be plugged into its own individual properly grounded electrical outlet rated for 115 Volts, 60 Hz, AC only, and fused at 15 amperes (minimum).

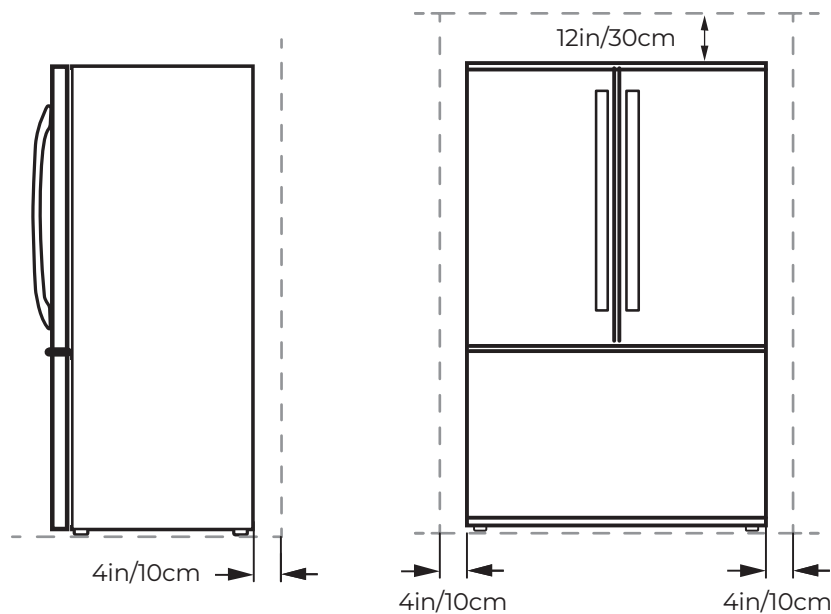
- This provides the best performance and also prevents overloading house wiring circuits which could cause a fire hazard from overheated wires. It is recommended that a separate circuit serving only this appliance be provided.

1. To avoid noise and vibration, the unit must be leveled and installed on a solidly constructed floor. If required, adjust the leveling legs to compensate for unevenness of the floor. The front should be slightly higher than the rear to aid in door closing. Leveling legs can be turned easily by tipping the cabinet slightly. Turn the leveling legs counterclockwise to raise the unit or clockwise to lower it. See LEVELING AND DOOR ALIGNMENT.

NOTE - Installing on carpeting, soft tile surfaces, a platform or weakly supported structure is not recommended.

2. Install this appliance in an area where the temperature is between 50°F(10°C) and 110°F(43°C). If the temperature around the appliance is too low or high, cooling ability may be adversely affected.

3. Too small of a distance from adjacent items may result in lowered freezing capability and increased electricity consumption charges. Allow at least 15.7 inches (40 cm) in front of the refrigerator to open the doors.



REMOVING AND REPLACING REFRIGERATOR DOORS

⚠ WARNING - EXCESSIVE WEIGHT HAZARD

- Use two or more people to move and install the refrigerator. Failure to do so can result in back or other injury.

⚠ WARNING - ELECTRICAL SHOCK HAZARD

- Disconnect the electrical supply to the refrigerator before installing. Failure to do so could result in serious injury or death.

- Do not put hands, feet or other objects into the air vents or bottom of the refrigerator. You may be injured or receive an electrical shock.

REFRIGERATOR INSTALLATION

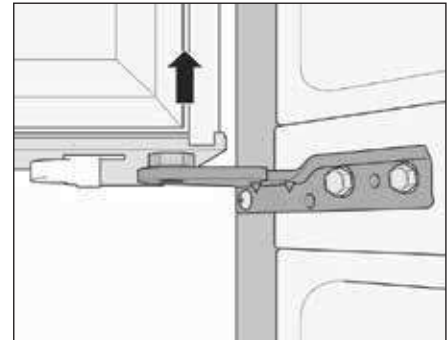
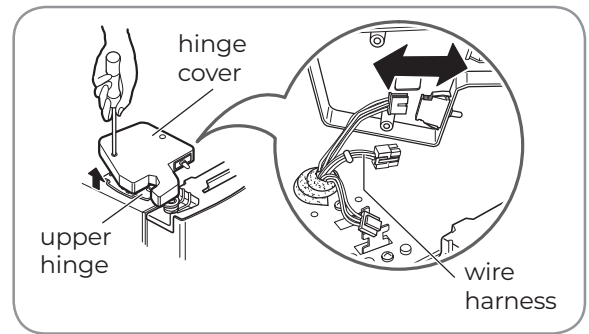
REMOVING REFRIGERATOR DOORS

1. Open the door. Remove the top hinge cover screw.
2. Use a flat blade screwdriver to pry back the hooks (not shown) of the hinge cover from the top of the refrigerator cabinet. Lift up the cover.
3. Disconnect all the wire harnesses (left door).

⚠ CAUTION - When lifting the hinge free of the latch, be careful that the door does not fall forward.

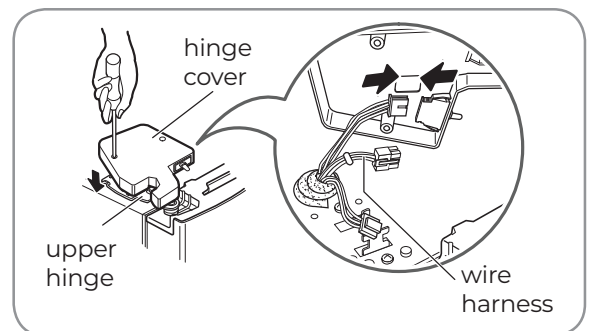
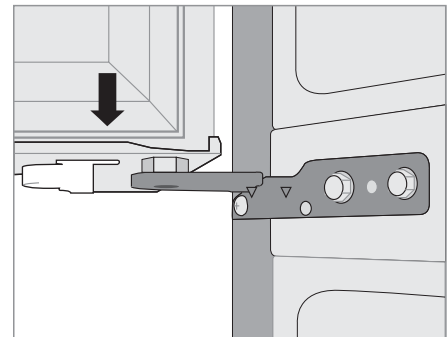
4. Lift the door from the middle hinge pin and remove the door. Place the door, inside facing up, on a non-scratch surface.

5. Repeat steps 1 through 4 for the removal of the right door.



REINSTALLING THE REFRIGERATOR DOORS

1. Place the door onto the middle hinge pin.
2. Reconnect all wire harnesses (right door). Position the cover into place. Insert and tighten the cover screw.



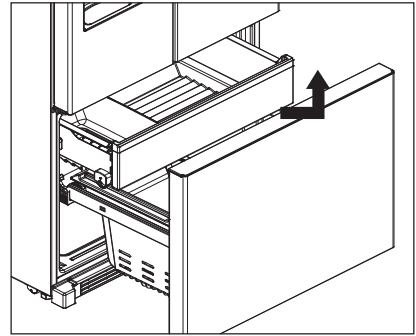
REFRIGERATOR INSTALLATION

REMOVING THE FREEZER DRAWER

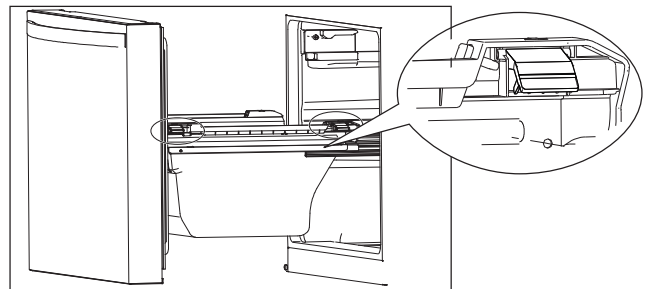
Model: KKFDR30x17.5-SS

⚠ WARNING - Use two or more people to remove and install the freezer drawer. Failure to do so can result in personal injury, product or property damage.

1. Take out the ice bin first, and then take out the upper freezer drawer by lifting it up.

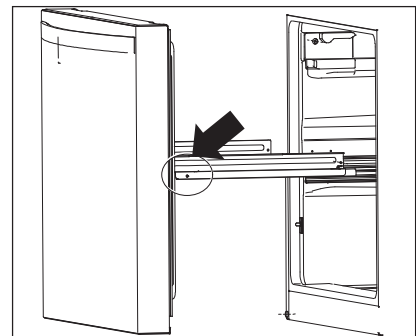


2. There are a total of 4 clips in the drawer. 1 clip on the front and another in the rear in each of the sides. Unlatch all 4 clips open and take out the drawer freezer basket.



3. Using a Philips screwdriver, unscrew the screws on both sides of the rail then can take off freezer door.

4. Pull exterior freezer drawer to fully disengage the rail assembly from the unit. Use 2 people for this task as the door is heavy and awkward to handle.



INSTALLING THE FREEZER DRAWER

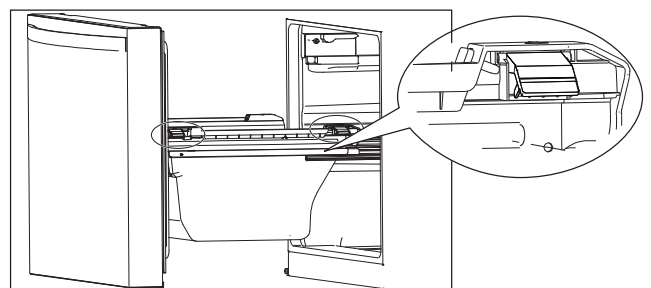
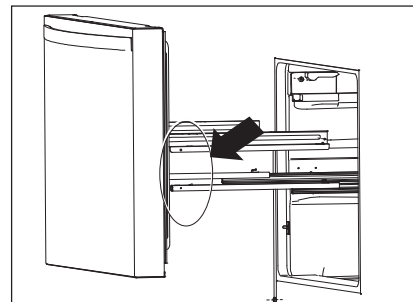
Model: KKFDR30x17.5-SS

1. Align the guide rails and tighten the screws.

2. Insert the freezer drawer basket in its position and press down the 2 clips on both sides to lock in place.

3. Insert the upper freezer drawer above the lower basket, open and close the freezer drawer several times to make sure operation is smooth and seal is consistent all the way around the freezer compartment.

⚠ CAUTION - Do not hold the handle when removing or replacing the drawer. The handle may come off and it could cause personal injury.



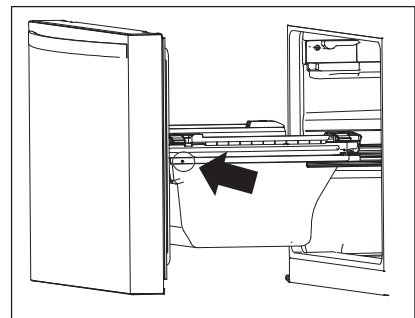
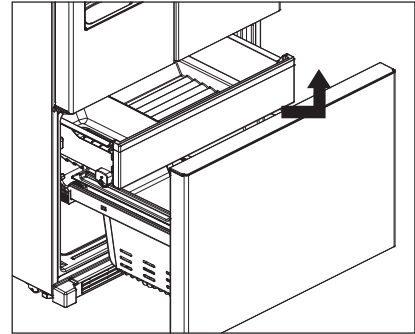
REFRIGERATOR INSTALLATION

REMOVING THE FREEZER DRAWER

Model: KKFDR36x20.3-SS

⚠ WARNING - Use two or more people to remove and install the freezer drawer. Failure to do so can result in personal injury, product or property damage.

1. Take out the ice bin first, and then take out the upper freezer drawer by lifting it up.
2. The lower freezer basket cannot be removed separately.
3. Using a screwdriver, unscrew the screws on both sides of the rail and remove the freezer door and lower drawer together.
4. Pull exterior freezer drawer to fully disengage the rail assembly from the unit. Use 2 people for this task as the door is heavy and awkward to handle.

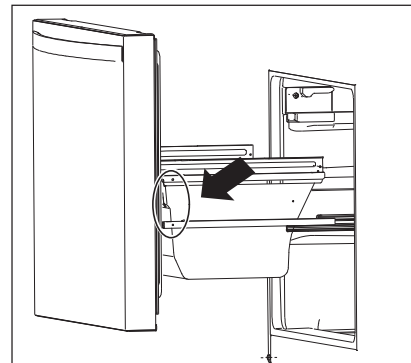


INSTALLING THE FREEZER DRAWER

Model: KKFDR36x20.3-SS

1. When installing, first place the lower drawer on the rail, then align and install the rail, and tighten the screws on both sides of the rail;
2. Insert the upper freezer drawer above the lower basket, open and close the freezer drawer several times to make sure operation is smooth and seal is consistent all the way around the freezer compartment.

⚠ CAUTION - Do not hold the handle when removing or replacing the drawer. The handle may come off and it could cause personal injury.



REFRIGERATOR INSTALLATION

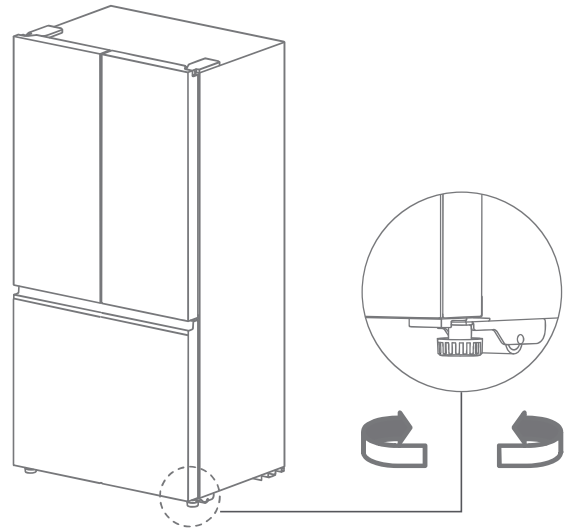
LEVELING

- After installing, plug the refrigerator's power cord into a 3-prong grounded outlet and push the refrigerator into the final position.
- Your refrigerator has two front leveling legs - one on the right and one on the left. Adjust the legs to alter the tilt from front-to-back or side-to-side.
- If your refrigerator seems unsteady, or you want the doors to close more easily, adjust the refrigerator's tilt using the instructions below:

1. Turn the leveling leg counterclockwise to raise that side of the refrigerator or clockwise to lower it. It may take several turns of the leveling leg to adjust the tilt of the refrigerator.

NOTE - Having someone push backward against the top of the refrigerator takes some weight off of the leveling legs. This makes it easier to adjust the legs.

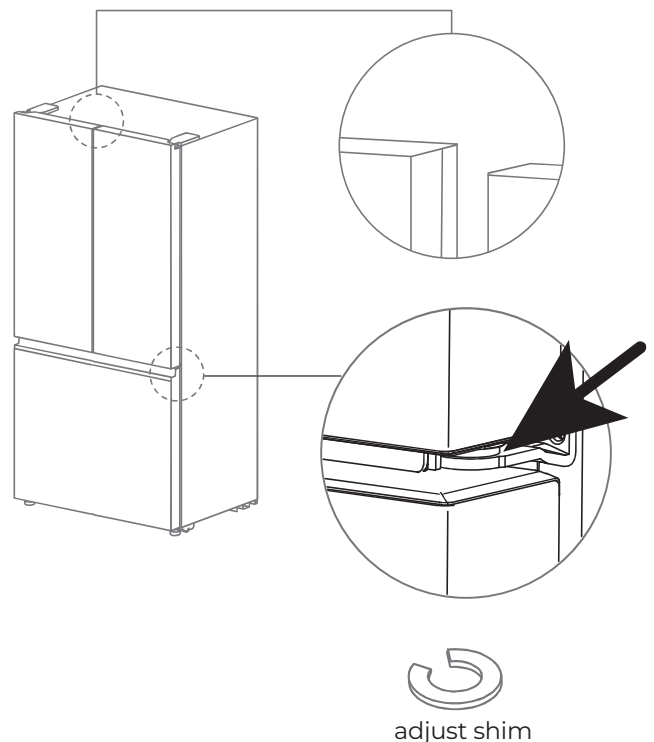
2. Open both doors again and check to make sure that they close easily. If the doors do not close easily, tilt the refrigerator slightly more to the rear by turning both leveling legs counterclockwise. It may take several more turns, and you should turn both leveling legs the same amount.



DOOR ALIGNMENT

If the doors are still uneven after the refrigerator has been leveled, finish adjusting the doors by following the instructions below.

1. Take out the adjustable shim from the instruction bag.
2. Lift the lower door up slightly with hand.
3. Place the adjust shim between door and hinge with hand or pliers.



USING YOUR REFRIGERATOR

SETTING THE CONTROLS

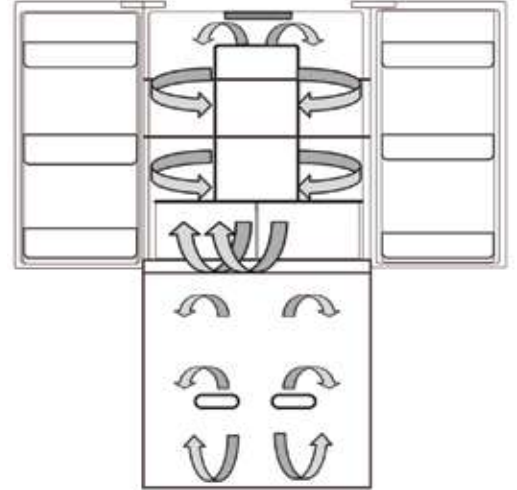
The refrigerator control functions as the thermostat for the entire appliance (refrigerator and freezer sections). The colder the setting, the longer the compressor will run to keep the temperature colder. The freezer control adjusts the cold air flow from the freezer to the refrigerator. Setting the freezer control to a lower temperature keeps more cold air in the freezer compartment to make it colder.

AIR FLOW

Cold air circulates from the freezer to the fresh food section and back again through air vents in the wall dividing the two sections. Be sure not to block vents while loading your refrigerator. Doing so will restrict airflow and may cause the refrigerator temperature to become too warm or cause interior moisture buildup. See air flow diagram on the right.

IMPORTANT - Because air circulates between both sections, any odors formed in one section will transfer to the other. You must thoroughly clean both sections to eliminate odors. To prevent odor transfer and dried out food, wrap or cover foods tightly. See the **FOOD STORAGE GUIDE** section for details.

NOTE - If you close the refrigerator door, you may see the freezer door open and close again due to pressure from internal airflow.



PRIOR TO USE

1. Clean your refrigerator thoroughly and wipe off dust accumulated during shipping.
2. Install accessories such as ice cube bin, drawers, shelves, etc., in their proper places. They are packed together to prevent possible damage during shipment.
3. Let your refrigerator run for at least 4 hours before putting food in it. Check the flow of cold air in the freezer compartment to ensure proper cooling. Your refrigerator is now ready for use.

CONTROL PANEL FEATURES

Your unit has one control for regulating the temperature. The temperature control is located on the side of the refrigerator compartment door.

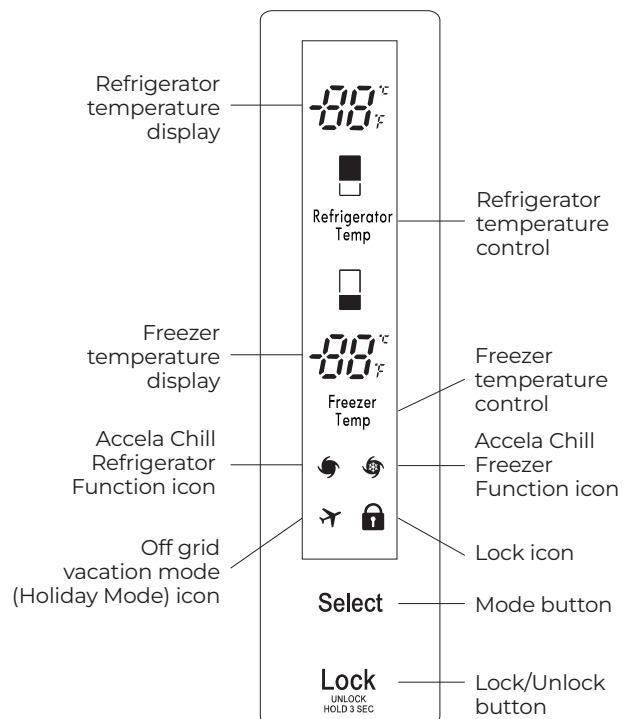
The default temperature is displayed in Fahrenheit when the unit is first powered on. Press and hold the "Select" button 5 seconds, to switch between °C and °F. Other buttons use the same method to switch between two modes.

Set temperature range: Celsius degree mode

1. Fridge temperature range: 0~6°C.
Default value 3°C
2. Freezer temperature range: -23~-15°C.
Default value -19°C

Set temperature range: Fahrenheit degree mode

1. Fridge temperature range: 32~43°F.
Default value 38°F
2. Freezer temperature range: -10~5°F.
Default value -2°F



USING YOUR REFRIGERATOR

- The first time you turn the unit on, the unit will start at the factory-set default temperature, which is 38°F or 3°C in the refrigerator compartment and -2°F or -19°C in the freezer compartment.
- The first time you turn the unit on, adjust the temperature in the refrigerator compartment to 34°F and run for at least 4 hours before placing food inside. This will ensure that the freezer compartment is thoroughly chilled and the refrigerator compartment is stabilized before food is placed inside. Then adjust the temperature setting to your desired setting.
- To adjust the temperature in each zone, press the appropriate zone button, and the selected zone will flash on and off. The temperature will change according to the pre-set temperatures as shown below. You will hear a bell chime with each press of the control panel buttons.

LOCK MODE

- The CONTROL PANEL LOCK is designed to prevent any changes to the settings to the refrigerator.
- To enable the LOCK, press the LOCK button, the LOCK icon will turn on. The control panel will be locked until unlocked at the control panel or there is a loss of power.
- To disable the LOCK, press and hold the lock button for approximately 3 seconds until the LOCK icon turns off and the control panel is working in normal operation mode.

STANBY MODE

- The CONTROL PANEL will go dark after approximately 20 seconds if no input has been made.
- To reactivate the display, simply press any of the buttons on the control panel.

ACCELA CHILL FREEZER FUNCTION

- This mode will set the freezer temperature to -10°F or -23°C for a quick drop in temperature when storing large amounts of warm or room-temperature foods in the freezer. The unit will remain in Accela Chill Freezer Function for 24 hours or until the temperature reaches -10°F or -23°C and will then return to the original setting, or until the function is turned off at the control panel. Accela Chill Refrigerator and Accela Chill Freezer can be run simultaneously.
- To enable the Accela Chill Freezer Function, press the feature button until the Accela Chill Freezer icon is illuminated. The icon will remain illuminated when activated.
- To disable the Accela Chill Freezer Function, press the function button until the Accela Chill Freezer icon is turned off.

ACCELA CHILL REFRIGERATOR FUNCTION

- This mode will set the refrigerator temperature to 32°F or 0°C for quick drop in temperature when storing large amounts of warm or room temperature foods in the refrigerator. The unit will remain in Accela Chill Refrigerator Function for 2 hours and 30 minutes or until the temperature reaches 32°F or 0°C and will then return to the original setting, or until the function is turned off at the control panel.
- Both Accela Chill Refrigerator and Accela Chill Freezer can be run together at the same time.
- To enable the Accela Chill Refrigerator Function, press the feature button until the Accela Chill Refrigerator icon is illuminated. The icon will remain illuminated when activated.
- To disable the Accela Chill Refrigerator Function, press the function button until the Accela Chill Refrigerator icon is turned off.

HOLIDAY MODE

- Use this mode when leaving for long periods of time, where you will remove the large majority of the refrigerator contents but leave contents in the freezer.
- Vacation mode will automatically set the refrigerator section to 43°F or 6°C and the freezer section to 5°F or -15°C. The unit will remain in HOLIDAY MODE until the feature is deactivated at the control panel.
- To enable HOLIDAY mode, press the feature button until the HOLIDAY mode icon is illuminated.
- The icon will remain illuminated when activated.
- To disable HOLIDAY mode, press the function button until the HOLIDAY mode icon is turned off.

USING YOUR REFRIGERATOR

DOOR ALARM

- When power is connected to the refrigerator, the door alarm is activated.
- When either the refrigerator or the freezer door is left open for more than 60 seconds, the alarm tone will sound to let you know that the door is open.
- When you close the door, the door alarm will stop.

SABBATH MODE

1. How to enter Sabbath mode:

when the freezer is open, press and hold the “Refrigerator Temp” button + the “Lock” button for 10 seconds;

2. In Sabbath mode:

- a. There is no door opening alarm;
- b. The LED lights in both refrigerator and freezer compartment are off;
- c. The display panel does not display unless it is adjusted manually;
- d. The refrigerator meets the normal refrigeration demand;

3. How to exit Sabbath mode:

- a. When the freezer is open, press and hold the Refrigerator Temp button + the Lock button for 10 seconds to exit manually;
- b. When the working period of Sabbath mode exceeds 80 hours, it will automatically exit.

*In Sabbath mode, it will still display and emit light after touching the panel, but it will turn off after waiting for 20 seconds without operation or after opening and closing the door once.

ADJUSTING CONTROL SETTINGS

• Give the refrigerator time to cool down completely before making final adjustments. It is best to wait 24 hours to let the normal settings (recommended in the Temperature section) stabilize before making any changes. If you need to adjust the temperature in the refrigerator or freezer, start by adjusting the refrigerator temperature and allow 24 hours for the temperature to stabilize again. If it is still too warm or too cold, then adjust the freezer control.

• Use the settings listed in the chart below as a guide. Always remember to wait at least 24 hours between adjustments.

CONDITION / REASON	RECOMMENDED ADJUSTMENT
Refrigerator section too warm • Door opened often. • Large amount of food added. • Room temperature very warm.	• Set the Refrigerator control one degree colder; wait 24 hours for the new setting to take full effect before making another adjustment.
Freezer section too warm / ice not made fast enough. • Door opened often. • Large amount of food added. • Very cold (50°F / 10°C) room temperature. (Compressor does not cycle often enough.) • Air vents blocked by items	• Set the Freezer control one degree colder; wait 24 hours for the new setting to take full effect before making another adjustment. • Move items out of air stream
REFRIGERATOR section too cold • Controls not set correctly for your conditions	• Set the Refrigerator control one degree warmer; wait 24 hours for the new setting to take full effect before making another adjustment.
Freezer section too cold • Controls not set correctly for your conditions.	• Set the Freezer control one degree warmer; wait 24 hours for the new setting to take full effect before making another adjustment.

USING YOUR REFRIGERATOR

FRIDGE COMPARTMENT SWITCH OFF/ON

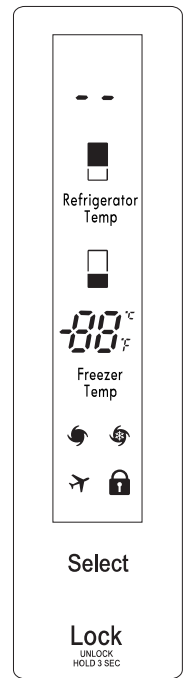
- Press and hold “Refrigerator Temp” button for 5 to 10 seconds to set the Refrigerator compartment OFF.

- When the compartment is switched OFF, the refrigerator display will show “--“. This indicates the refrigerator compartment is turned OFF. See figure on the right.

NOTE - There will be no cooling in the refrigerator (fresh food) compartment.

- Perishable foods must be removed. An example of when this feature may be used is when the refrigerator will not be in use for an extended period and all food within the refrigerator compartment would expire. In order to save energy, the food in the refrigerator compartment can be removed and the refrigerator compartment turned off while leaving the freezer compartment operational to maintain frozen foods.

- To turn the refrigerator ON, press and hold “Refrigerator Temp” button for 5 to 10 seconds. The refrigerator temperature digital display will show the previously set temperature. This indicates the refrigerator compartment is turned ON.



FOOD STORAGE GUIDE

Wrap or store food in the refrigerator in airtight and moisture-proof material unless otherwise noted. This prevents food odor and taste transfer throughout the refrigerator. For dated products, check date code to ensure freshness.

ITEMS	HOW TO
Butter or margarine	Keep opened butter in a covered dish or closed compartment. When storing an extra supply, wrap in freezer packaging and freeze.
Cheese	Store in the original wrapping until you are ready to use it. Once opened, rewrap tightly in plastic wrap or aluminum foil.
Milk	Wipe milk cartons. For best storage, place milk on interior shelf, not on door shelf.
Eggs	Store in original carton on interior shelf, not in door bin.
Fruit	Wash, let dry, and store in refrigerator in plastic bags or in a drawer. Do not wash or hull fruit until you are ready to use it. Sort and keep fruit in its original container, in a refrigerator drawer, or store in a completely closed paper bag on a refrigerator shelf.
Leafy vegetables	Remove store wrapping and trim or tear off bruised and discolored areas. Wash in cold water and drain. Place in plastic bag or plastic container and store in refrigerator drawer.
Vegetables with skins (carrots, peppers)	Place in plastic bags or plastic container and store in drawer.
Fish	Use fresh fish and shellfish the same day purchased.
Leftovers	Cover leftovers with plastic wrap or aluminum foil, or store in plastic containers with tight lids.
Ice Cream	When storing frozen food like ice cream for a long period, place it on the freezer shelf, not in the door bins.

USING YOUR REFRIGERATOR

STORING FROZEN FOOD

NOTE - Check a freezer guide or a reliable cookbook for further information about preparing food for freezing or food storage times.

FREEZING

• Your freezer will not quick-freeze a large quantity of food. Do not put more unfrozen food into the freezer than will freeze within 24 hours (no more than 2 to 3 lbs. of food per cubic foot of freezer space). Leave enough space in the freezer for air to circulate around packages. Be careful to leave enough room at the front so the door can close tightly.

• Storage times will vary according to the quality and type of food, the type of packaging or wrap used (how airtight and moisture-proof) and the storage temperature. Ice crystals inside a sealed package are normal. This simply means that moisture in the food and air inside the package have condensed, creating ice crystals.

NOTE - Allow hot foods to cool at room temperature for 30 minutes, then package and freeze. Cooling hot foods before freezing saves energy.

PACKAGING

Successful freezing depends on correct packaging. When you close and seal the package, it must not allow air or moisture in or out. If it does, you could have food odor and taste transfer throughout the refrigerator and could also dry out frozen food.

PACKAGING RECOMMENDATIONS

- Rigid plastic containers with tight-fitting lids
- Straight-sided canning/freezing jars
- Heavy-duty aluminum foil
- Plastic-coated paper
- Non-permeable plastic wraps
- Specified freezer-grade self-sealing plastic bags

Follow package or container instructions for proper freezing methods.

DO NOT USE

- Bread wrappers
- Non-polyethylene plastic containers
- Containers without tight lids
- Wax paper or wax-coated freezer wrap
- Thin, semi-permeable wrap

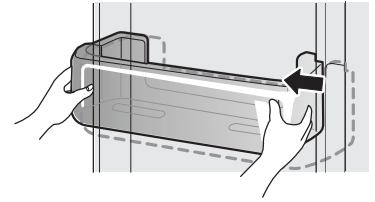
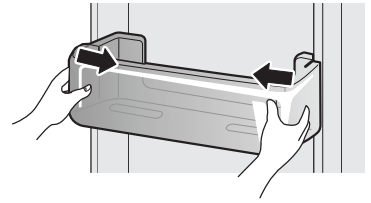
 **CAUTION** - Do not keep beverage cans or plastic food containers in the freezer compartment. They may break or burst if they freeze.

USING YOUR REFRIGERATOR

REFRIGERATOR /FREEZER DOOR BINS

The refrigerator and freezer feature bins which can easily be arranged to store packaged products.

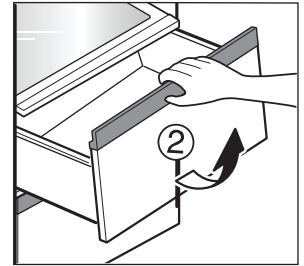
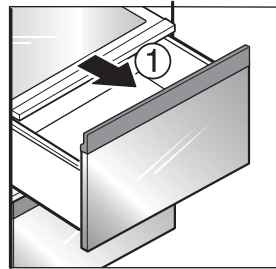
- To remove, holding both sides, lift the door bin and pull it out.
- To replace the bin, slide it in above the desired support and push down one side at a time until it snaps into place



REFRIGERATOR DRAWERS AND COVER

The refrigerator drawers allow for better conservation of fruits and vegetables.

- To remove the refrigerator drawers, pull out the drawer to full extension (1), lift the front up (2), and pull straight out.
- To install-slightly tilt up the front, insert the drawer into the frame and push it back into place.



REFRIGERATOR / FREEZER SHELVES

The shelves in your refrigerator and freezer are adjustable to meet your individual storage needs.

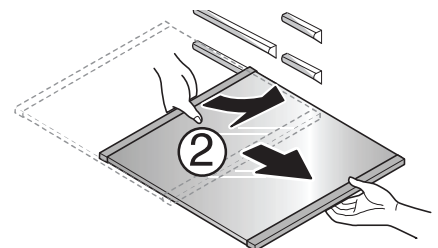
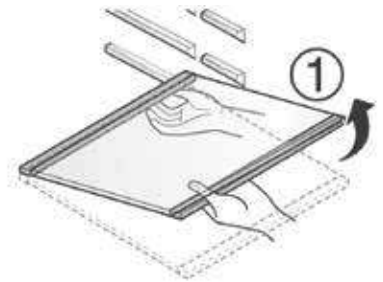
Adjusting the shelves to fit items of different heights will make finding the exact item you want easier. Doing so will also reduce the amount of time the refrigerator doors are open which will save energy.

IMPORTANT - Do not clean glass shelves with warm water while they are cold. Shelves may break if exposed to sudden temperature changes or impact.

NOTE - Glass shelves are heavy. Use special care when removing them.

DETACHING THE SHELF

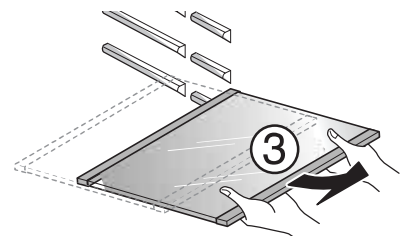
1. Hold the front side with one hand and the back side with the other hand, and lift it up gently.
2. Pull the shelf forward about halfway, keeping the front of the shelf slightly lifted.
3. Holding the shelf with both hands, tilt the shelf and pull it out.



ASSEMBLING THE SHELF

Tilt the front of the shelf up and guide the shelf into the slots at a desired height. Slide the shelf in then lower the front of the shelf.

CAUTION - Make sure that shelves are level from one side to the other. Failure to do so may result in the shelf falling or spilling food.



CARE AND CLEANING

WARNING - EXPLOSION HAZARD

Use non-flammable cleaner.

Failure to do so can result in fire, explosion, or death.



Both the refrigerator and freezer sections defrost automatically; however, clean both sections about once a month to prevent odors. Wipe up spills immediately.

GENERAL CLEANING TIPS

- Unplug refrigerator or disconnect power.
- Remove all removable parts, such as shelves, crispers, etc. Refer to sections in Using Your Refrigerator for removal instructions.
- Use a clean sponge or soft cloth and a mild detergent in warm water. Do not use abrasive or harsh cleaners.
- Hand wash, rinse and dry all surfaces thoroughly.
- Plug in refrigerator or reconnect power.

OUTSIDE

- Waxing external painted metal surfaces helps provide rust protection. Do not wax plastic parts. Wax painted metal surfaces at least twice a year using appliance wax (or auto paste wax). Apply wax with a clean, soft cloth.
- For products with a stainless steel exterior, use a clean sponge or soft cloth and a mild detergent in warm water.
- Do not use abrasive or harsh cleaners. Dry thoroughly with a soft cloth.

INSIDE WALLS (allow freezer to warm up so the cloth will not stick)

- To help remove odors, you can wash the inside of the refrigerator with a mixture of baking soda and warm water.
- Mix 2 tablespoons of baking soda to 1 quart of water (26 g soda to 1 liter water.) Be sure the baking soda is completely dissolved so it does not scratch the surfaces of the refrigerator.

CAUTION - While cleaning the inside, do not spray water.

DOOR LINERS AND GASKETS

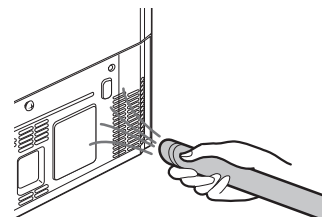
- Use a clean sponge or soft cloth and a mild detergent in warm water. Do not use cleaning waxes, concentrated detergents, bleaches, or cleaners containing petroleum on plastic refrigerator parts.

PLASTIC PARTS (Covers and Panels)

- Use a clean sponge or soft cloth and a mild detergent in warm water. Do not use window sprays, abrasive cleansers, or flammable fluids. These can scratch or damage the material.

CONDENSER COILS

- Use a vacuum cleaner with an attachment to clean the condenser cover and vents.
- Do not remove the panel covering the condenser coil area.



CARE AND CLEANING

LED LIGHT REPLACEMENT

WARNING - ELECTRICAL SHOCK HAZARD

Before service is performed on the interior LED lighting, unplug the refrigerator or turn off power at the circuit breaker or fuse box.

Setting either or both controls to the OFF position does not remove power to the light circuit.

NOTE - The refrigerator and freezer compartment lights are LED interior lighting, and service should be performed by a qualified technician.

POWER INTERRUPTIONS

1. If the power will be out for 24 hours or less, keep all refrigerator doors closed to help foods stay cold and frozen.
2. If the power will be out for more than 24 hours, remove all frozen food and store it in a frozen food locker.

WHEN YOU GO ON VACATION

- If you choose to leave the refrigerator on while you are away, use up any perishables and freeze other items.
- If you choose to turn the refrigerator off before you leave, follow these steps.
 1. Remove all food from the refrigerator.
 2. Depending on your model, set the thermostat control (refrigerator control) to OFF. See the SETTING THE CONTROLS section.
 3. Clean the refrigerator, wipe it and dry well.
 4. Tape rubber or wood blocks to the tops of both doors to prop them open far enough for air to get in. This stops odor and mold from building up.

WHEN YOU MOVE

- When you are moving your refrigerator to a new home, follow these steps to prepare it for the move.
 1. Remove all food from the refrigerator and freezer.
 2. Unplug the refrigerator.
 3. Clean, wipe and dry thoroughly.
 4. Take out all removable parts, wrap them well and tape them together so they do not shift and rattle during the move. Refer to the USING YOUR REFRIGERATOR section for removal instructions.
 5. Depending on the model, raise the front of the refrigerator so it rolls more easily OR screw in the leveling legs all the way so they do not scrape the floor. See the DOOR ALIGNMENT section.
 6. Tape the doors shut and tape the power cord to the refrigerator cabinet.
- When you get to your new home, put everything back and refer to the REFRIGERATOR INSTALLATION section for preparation instructions.

TROUBLESHOOTING GUIDE

Before conducting troubleshooting, make sure that the following basic requirements are met.

ELECTRICAL RATINGS - 115 Volts, 60 Hz, AC only, and fused at 15 amperes (minimum).

COOLING

PROBLEM	POSSIBLE CAUSES	SOLUTIONS
Refrigerator and freezer section are not cooling.	The power supply cord is unplugged.	Firmly plug the cord into a live outlet with the proper voltage.
	Refrigerator is in the defrost cycle.	During the defrost cycle, the temperature of each compartment may rise slightly. Wait 30 minutes and confirm the proper temperature has been restored once the defrost cycle has completed.
	Refrigerator was recently installed.	It may take up to 24 hours for each compartment to reach the desired temperature.
	Refrigerator was recently relocated.	If the refrigerator was stored for a long period of time or moved on its side, it is necessary for the refrigerator to lay upright for 24 hours before connecting it to power.
Cooling System runs too much.	Refrigerator is replacing an older model.	Modern refrigerators require more operating time but use less energy due to more efficient technology.
	Refrigerator was recently plugged in or power restored.	The refrigerator will take up to 24 hours to cool completely.
	Door opened often or a large amount of food/hot food was added.	Adding food and opening the door warms the refrigerator, requiring the compressor to run longer in order to cool the refrigerator back down. In order to conserve energy, try to get everything you need out of the refrigerator at once, keep food organized so it is easy to find, and close the door as soon as the food is removed. Refer to the FOOD STORAGE GUIDE.
	Doors are not closed completely.	Firmly push the doors shut. If they will not shut all the way, see the DOORS WILL NOT CLOSE COMPLETELY OR POP OPEN section in Parts & Features Troubleshooting.
	Refrigerator is installed in a hot location.	The compressor will run longer under warm conditions. At normal room temperatures (70°F or 21°C) expect your compressor to run about 40% to 80% of the time. Under warmer conditions, expect it to run even more often. The refrigerator should not be operated above 110°F (43°C).
	Condenser / back cover is clogged.	Use a vacuum cleaner with an attachment to clean the condenser cover and vents. Do not remove the panel covering the condenser coil area.
Refrigerator and freezer section is too warm.	Refrigerator was recently installed.	It may take up to 24 hours for each compartment to reach the desired temperature.

TROUBLESHOOTING GUIDE

COOLING

PROBLEM	POSSIBLE CAUSES	SOLUTIONS
Refrigerator and freezer section is too warm.	Air vents are blocked.	Rearrange items to allow air to flow throughout the compartment. Refer to the AIRFLOW DIAGRAM in the USING YOUR REFRIGERATOR section.
	Doors are opened often or for long periods of time.	When the doors are opened often or for long periods of time., warm, humid air enters the compartment. This raises the temperature and moisture level within the compartment. To lessen the effect, reduce the frequency and duration of door openings.
	Unit is installed in a hot location.	The refrigerator should not be operated in temperatures above 110°F (43°C).
	A large amount of food or hot food was added to either compartment.	Adding food warms the compartment requiring the cooling system to run. Allowing hot food to cool to room temperature before putting it in the refrigerator will reduce this effect.
	Doors not closed correctly.	See the Doors will not close correctly or pop open section in PARTS & FEATURES TROUBLESHOOTING.
	Temperature control is not set correctly.	If the temperature is too warm, adjust the control one increment at a time and wait for the temperature to stabilize. Refer to the SETTING THE CONTROLS section for more information.
	Defrost cycle has recently completed.	During the defrost cycle, the temperature of each compartment may raise slightly and condensation may form on the back wall. Wait 30 minutes and confirm the proper temperature has been restored once the defrost cycle has completed.
Interior moisture buildup.	Doors are opened often or for long periods of time.	When the doors are opened often or for long periods of time, warm, humid air enters the compartment. This raises the temperature and moisture level within the compartment. To lessen the effect, reduce the frequency and duration of door openings.
	Doors not closed correctly.	See the DOORS WILL NOT CLOSE CORRECTLY section in Troubleshooting.
	Weather is humid.	Humid weather allows additional moisture to enter the compartments when the doors are opened leading to condensation or frost. Maintaining a reasonable level of humidity in the home will help to control the amount of moisture that can enter the compartments.
	Defrost cycle recently completed.	During the defrost cycle, the temperature of each compartment may raise slightly and condensation may form on the back wall. Wait 30 minutes and confirm that the proper temperature has been restored once the defrost cycle has completed.

TROUBLESHOOTING GUIDE

COOLING

PROBLEM	POSSIBLE CAUSES	SOLUTIONS
Interior moisture buildup.	Food is not packaged correctly.	Food stored uncovered or unwrapped, and damp containers can lead to moisture accumulation within each compartment. Wipe all containers dry and store food in sealed packaging to prevent condensation and frost.
Food is freezing in the refrigerator compartment.	Food with high water content was placed near an air vent.	Rearrange items with high water content away from air vents.
	Refrigerator temperature control is set incorrectly.	If the temperature is too cold, adjust the control one increment at a time and wait for the temperature to stabilize. Refer to the SETTING THE CONTROLS section for more information.
	Refrigerator is installed in a cold location.	When the refrigerator is operated in temperature below 50°F (10°C), food can freeze in the refrigerator compartment.
Frost or ice crystals form on frozen food (outside of package).	Door is opened frequently or for long periods of time.	When the doors are opened often or for long periods of time, warm, humid air enters the compartment. This raises the temperature and moisture level within the compartment. Increased moisture will lead to frost and condensation. To lessen the effect, reduce the frequency and duration of door openings.
	Door is not closing properly.	Refer to the DOORS WILL NOT CLOSE CORRECTLY OR POP OPEN section in the Troubleshooting section.
Refrigerator or Freezer section is too cold.	Incorrect temperature control settings.	If the temperature is too cold, adjust the control one increment at a time and wait for the temperature to stabilize. Refer to the SETTING THE CONTROLS section for more information.
Frost or ice crystals on frozen food (inside of sealed package).	Condensation from food with a high water content has frozen inside of the food package.	This is normal for food items with a high water content.
	Food has been left in the freezer for a long period of time.	Do not store food items with high water content in the freezer for a long period of time.

TROUBLESHOOTING GUIDE

NOISE

PROBLEM	POSSIBLE CAUSES	SOLUTIONS
Clicking	The defrost control will click when the automatic defrost cycle begins and ends. The thermostat control (or refrigerator control on some models) will also click when cycling on and off.	Normal operation
Rattling	Rattling noises may come from the flow of refrigerant, the water line on the back of the unit, or items stored on top of or around the refrigerator.	Normal operation
	Refrigerator is not resting solidly on the floor.	Floor is weak or uneven or leveling legs need to be adjusted. See the DOOR ALIGNMENT section.
	Refrigerator with linear compressor was jarred while running.	Normal operation
Whooshing	Evaporator fan motor is circulating air through the refrigerator and freezer compartments.	Normal operation
	Air is being forced over the condenser by the condenser fan.	Normal operation
Gurgling	Refrigerant flowing through the cooling system.	Normal operation
Popping	Contraction and expansion of the inside walls due to changes in temperature.	Normal operation
Sizzling	Water dripping on the defrost heater during a defrost cycle.	Normal operation
Vibrating	If the side or back of the refrigerator is touching a cabinet or wall, some of the normal vibrations may make an audible sound.	To eliminate the noise, make sure that the sides and back cannot vibrate against any wall or cabinet.

TROUBLESHOOTING GUIDE

NOISE

PROBLEM	POSSIBLE CAUSES	SOLUTIONS
Dripping	Water running into the drain pan during the defrost cycle.	Normal operation
Pulsating or high-pitched sound	Your refrigerator is designed to run more efficiently to keep your food items at the desired temperature. The high efficiency compressor may cause your new refrigerator to run longer than your old one, but it is still more energy efficient than previous models. While the refrigerator is running, it is normal to hear a pulsating or high-pitched sound.	Normal operation

TROUBLESHOOTING GUIDE

PARTS AND FEATURE

PROBLEM	POSSIBLE CAUSES	SOLUTIONS
Doors will not close correctly or pop open.	Food packages are blocking the door.	Rearrange food containers to clear the door and door shelves.
	Ice bin, crisper cover, pans, shelves, door bins, or baskets are out of position.	Push bins all the way in and put crisper cover, pans, shelves and baskets into their correct positions. See the USING YOUR REFRIGERATOR section for more information.
	The doors were removed during product installation and not properly replaced.	Remove and replace the doors according to the REMOVING AND REPLACING REFRIGERATOR HANDLES AND DOORS section.
	Refrigerator is not leveled properly.	See DOOR ALIGNMENT in the REFRIGERATION INSTALLATION section to level refrigerator.
Doors are difficult to open.	The gaskets are dirty or sticky.	Clean the gaskets and the surfaces that they touch. Rub a thin coat of appliance polish or kitchen wax on the gaskets after cleaning.
	Door was recently closed.	When you open the door, warmer air enters the refrigerator. As the warm air cools, it can create a vacuum. If the door is hard to open, wait one minute to allow the air pressure to equalize, then see if it opens more easily.
Refrigerator wobbles or seems unstable.	Leveling legs are not adjusted properly.	Refer to the LEVELING AND DOOR ALIGNMENT section.
	Floor is not level.	It may be necessary to add shims under the leveling legs or rollers to complete installation.
Lights do not work.	A light bulb has burned out. NOTE - The refrigerator compartment lamp is LED interior lighting, and service should be performed by a qualified technician.	Refer to the Light Bulb Replacement section.

WARRANTY

1 Year
Limited Warranty

FOR ONE YEAR from the date of sale this product is warranted against defects in material or workmanship.

WITH PROOF OF SALE a defective product will be repaired or replaced free of charge.

Direct all claims for warranty service to Kenmore Customer Assistance, call 1-800-265-8456 or email KenmoreCustomerCare@KC.com

This warranty covers manufacturer's defects including electrical and mechanical defects provided the appliance is correctly assembled, operated and maintained according to the supplied instructions. It does not cover damage caused by accident, misuse or abuse including overheating, unauthorized repairs or alterations, or use with a voltage converter or aftermarket accessories, and it does not apply to scratches, stains, discoloration or other surface damage that does not impair the product function. This warranty is void if the appliance is ever used for purposes other than private household use.

Koolatron Corporation
4320 Federal Drive, Batavia, NY 14020 U.S.A.
139 Copernicus Blvd., Brantford, ON N3P1N4 Canada

Kenmore and the Kenmore logo are registered trademarks to
Transform SR Brands LLC and are used under license by Koolatron Corporation

H1S455
03/2026-v2