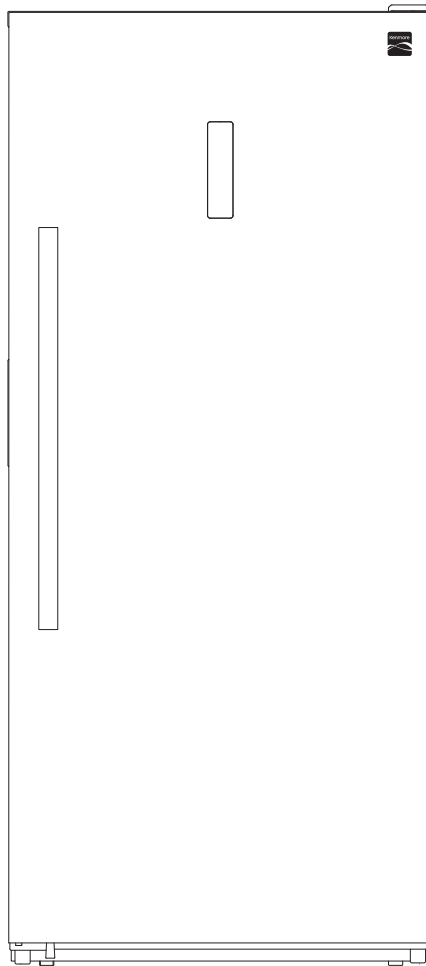


# Kenmore<sup>®/MD</sup>



## Convertible Upright Freezer/Fridge

21.2 cu. ft. / 600L



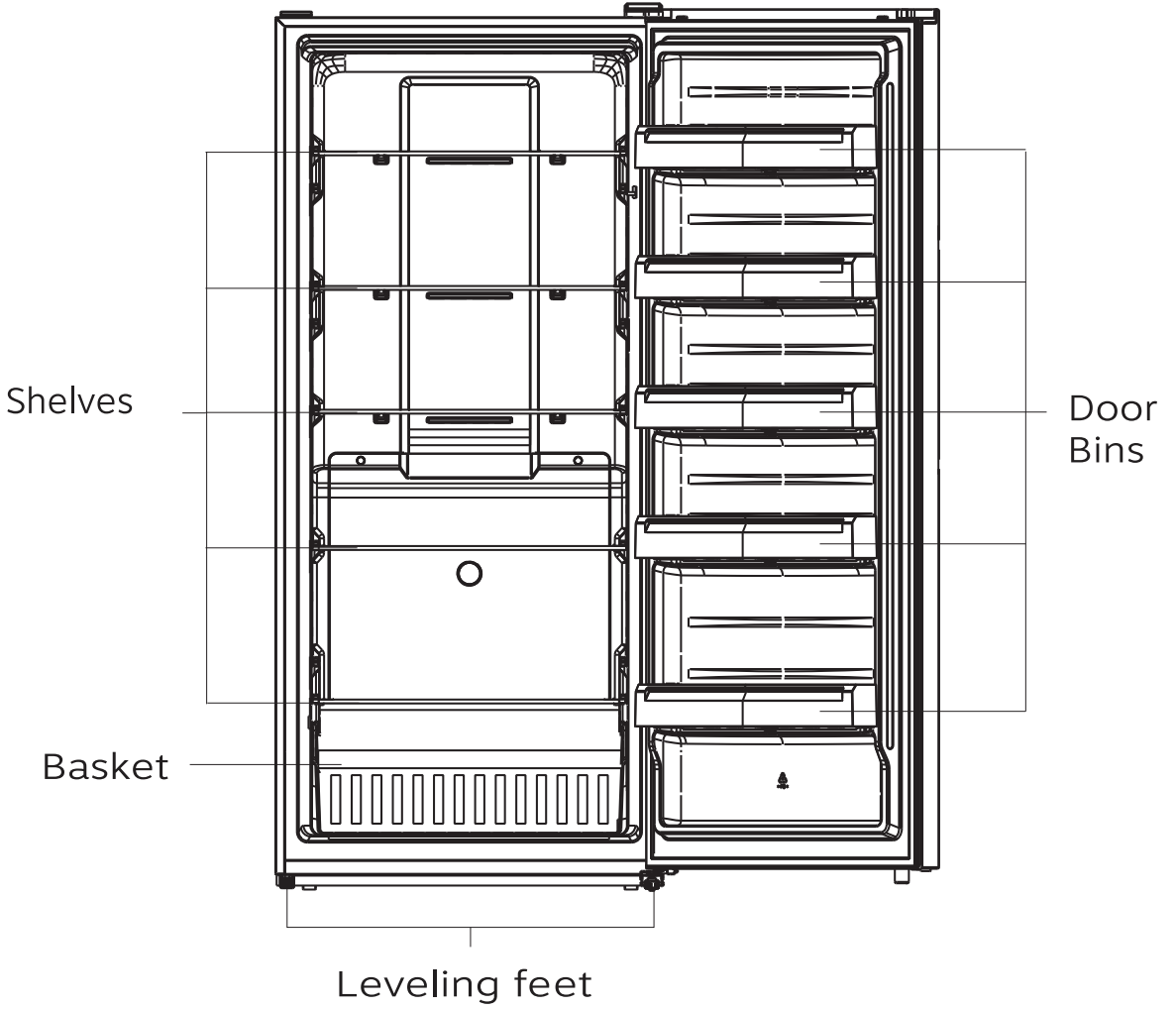
Customer Assistance  
1-800-265-8456  
[www.koolatron.com](http://www.koolatron.com)

KKUF21-W-HO  
Use & Care Guide

# CONTENT

GETTING TO KNOW YOUR FREEZER	
Inside view .....	3
SETTING UP YOUR FREEZER	
Reversing the door .....	4
Positioning your freezer .....	6
Adjusting storage accessories .....	8
Turning on your freezer .....	8
USING YOUR FREEZER	
Control Panel .....	9
Storing Food .....	11
Navigating Power Outages .....	12
Saving Energy .....	12
MAINTAINING YOUR FREEZER	
Cleaning & Care .....	12
Replacing the Light Bulb .....	13
Moving your freezer .....	13
SAFETY & PRECAUTIONS	
Preparing for Long-term Storage .....	14
Servicing your freezer .....	14
Important Safeguards .....	15
Safety Instructions .....	16
SPECIFICATIONS .....	16
TROUBLESHOOTING .....	17
LEGAL NOTICES .....	19
WARRANTY .....	20

**INSIDE VIEW**



# SETTING UP YOUR FREEZER

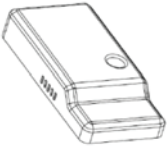
## REVERSING THE UPPER DOOR HINGE

Before reversing the door, please prepare below accessories in the spare parts bag:








Left top door hinge x 1

Left top hinge cover x 1



Right top door hinge cover x 1

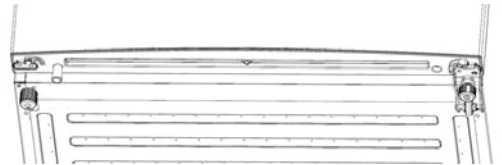
Necessary Tools (not included):

Philips Screwdriver

Flathead Screwdriver

8 mm Socket with Ratchet

Adjustable Wrench

Pliers

Before you begin, turn the appliance temperature control to OFF and remove the electrical power cord from the wall outlet. Remove any food from the door shelves.

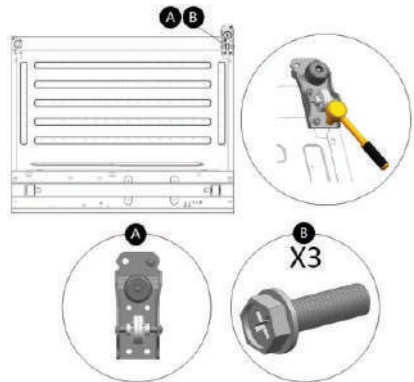
### CAUTION:

This procedure will require 2 people to safely perform.

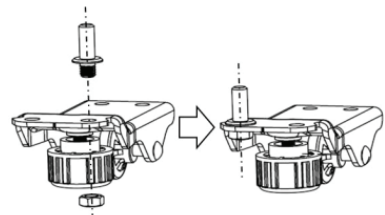
1. Lay the freezer on its back on a padded surface.



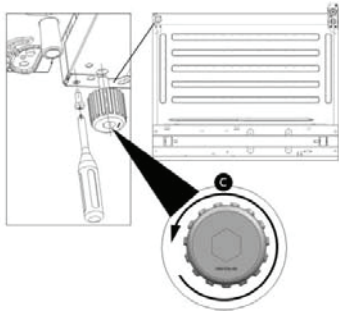
2. Remove the 3 screws (B) holding the bottom hinge (A) to the cabinet with an 8 mm socket with ratchet.



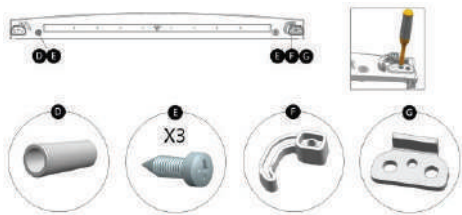
3. Unscrew and insert the hinge pin on the opposite side of the bottom hinge using an adjustable wrench and pliers.



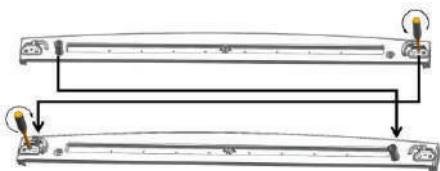
4. Unscrew the left adjustable leveling foot and loosen the screw.



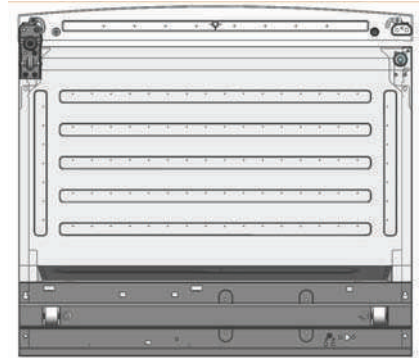
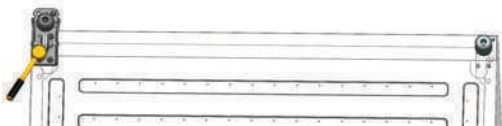
5. Remove the aid-closer (F), metal block (G), and the supporter (D).



6. Reinstall the aid-closer (F), metal block (G) onto the left side, and the supporter (D) onto the right side.



7. Attach the bottom hinge (A) with 3 screws (B) and the adjustable leveling foot (C) on the left side of the cabinet.



Important Note:

When you screw on the bottom hinge:  
Move the door slightly to the left or right to make sure the hinge hole is aligned with the cabinet hole. Insert the 3 screws by half depth, and then align the hinge and fully tighten.

8. Using an 8 mm socket with a ratchet:

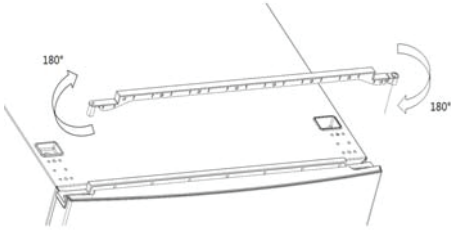
a. Unscrew right top hinge cover and left top decorative cover, and disconnect the door switch and display.



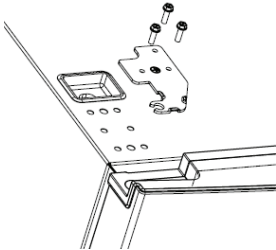
b. Remove the top hinge from the right side.



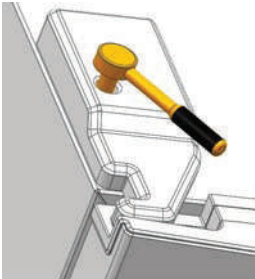
9. Remove the front top decorative door cover, turn the cover (together with the connecting wire) 180° and install it.



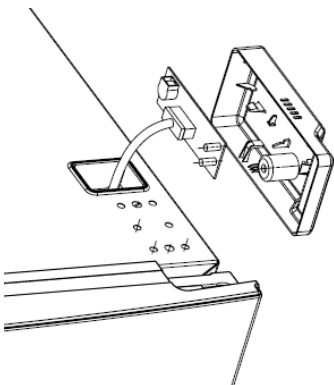
10. Install the top left hinge (provided in the spare parts bag).



11. Connect the connector of door switch and display, and install the top left hinge cover (provided in the spare parts bag).



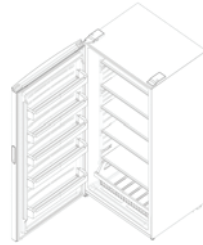
12. Install the PCB in the door hinge cover.



13. Install the door hinge cover (provided in the spare parts bag).



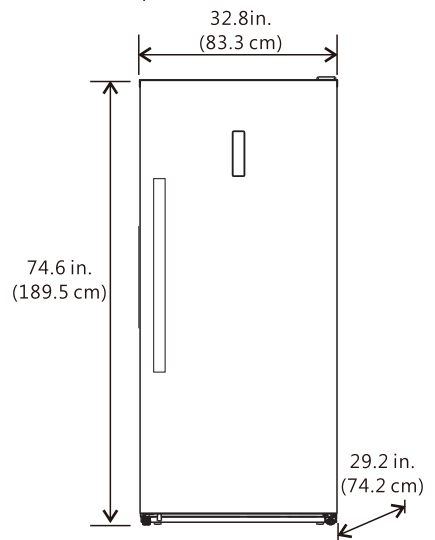
14. Raise the appliance to the upright position. Open and close the door to check if door moves smoothly.



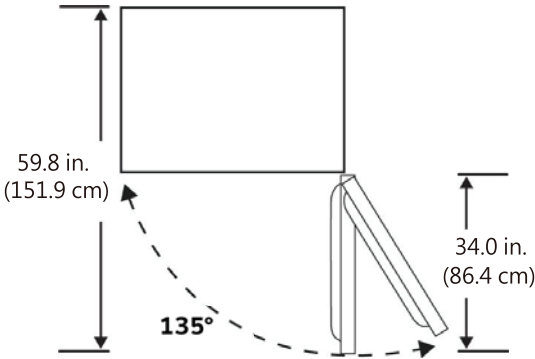
15. Allow 2 hours before plugging the unit back into electrical outlet.

## POSITIONING YOUR FREEZER

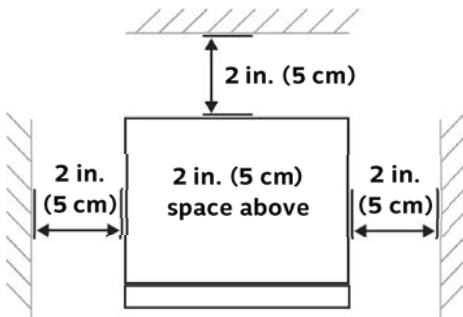
- Place your freezer in a location that lets the doors open fully and allows for air circulation.
  - The freezer is 74.6 in.(189.5 cm) high, 32.8in.(83.3 cm) wide, and 29.2 in. (74.2 cm) deep.



- The door opens at a 135° angle and need 34.0 in.(86.4 cm) in front to open fully.



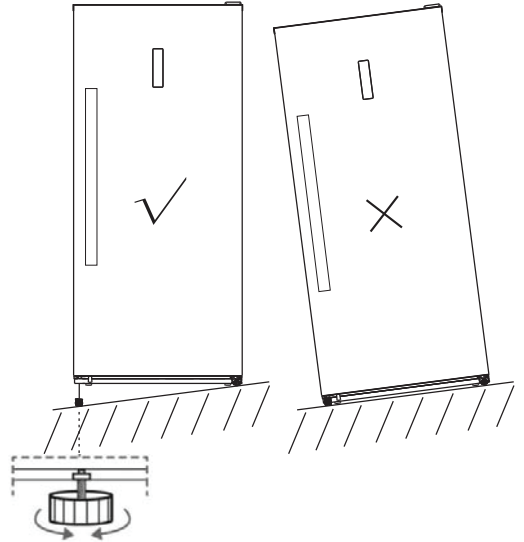
- You must have no less than 2 in. (5 cm) of space to the sides, above, and behind the refrigerator.



- **Do not place near heat, direct sunlight, or locations where the temperature will rise above 110°F (43°C).**  
Cookers, radiators, out-buildings, or direct sunlight may increase energy use or affect the acrylic coating. In high ambient temperatures, the compressor will not be able to maintain proper temperature inside the refrigerator.
- **Do not place in a location where the temperature will drop below 55°F (13°C)**  
The compressor may not be able to maintain proper temperature inside the freezer.
- **Do not place the freezer in moist or watery places.**  
Do not put your freezer in moist places easy to be splashed with water.

- **Place your freezer on a hard, level surface.**

- To level your freezer , turn its front feet to raise (clockwise) or lower (counterclockwise) them.



- If your freezer is not level, the door may not close properly.
- **Your freezer is designed only for household use and similar applications.**
  - Staff kitchen areas in shops, offices, and other working environments
  - Farm houses and by clients in hotels, motels, and other residential-type environments;
  - Bed-and-breakfast-type environments
  - Catering and similar non-retail applications
- **Place your freezer in a well-ventilated room.**

## ADJUSTING STORAGE ACCESSORIES

To adjust a shelf's height, pull it forward until it can be swiveled up or down and removed, then slide it back into the guides.

## TURNING ON YOUR FREEZER



### Electrical Connection

- This appliance should be properly grounded
- This freezer's power cord is equipped with a three-prong plug which connects to standard three-prong wall outlets to minimize the possibility of electrical shock.
- Do not under any circumstances cut or remove the third ground prong from the power cord supplied.
- This freezer requires a standard 15/120V AC 60 Hz electrical grounded outlet with three prongs. Have the wall outlet and circuit checked by a qualified electrician to ensure the outlet is properly grounded.
- If a loose or damaged outlet is encountered, it is your responsibility to have it replaced with a properly grounded outlet.
- The cord should be secured behind the appliance and not left exposed or dangling to prevent accidental injury.
- The appliance should always be plugged into a standard electrical outlet which has a voltage rating that matches the rating label on the appliance. This provides the best performance and also prevents overloading house wiring circuits that could cause a fire.
- Never unplug the appliance by pulling the power cord. Always grip the plug firmly and pull straight out from the receptacle.
- Immediately repair or replace all power cords that are frayed or otherwise damaged. Do not use a cord that shows cracks or abrasion along its length or at either end. When moving the appliance, be careful not to damage the power cord.



- Because of potential safety hazards under certain conditions, it is strongly recommended that you do not use an extension cord with this appliance.
- If you must use an extension cord, use a three-wire grounding type appliance extension cord with a three-prong type plug and outlet and that the electrical rating of the cord be 115 volts and at least 10 amperes.

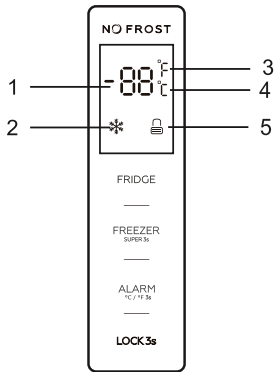


- Most electrical appliances use a series of electric control boards to operate. These control boards are susceptible to power surges and could be damaged or destroyed.
- To protect your freezer, an area prone to power surges/outage, it is suggested that you use a power surge protector for all electrical devices/appliances. Select a surge protector that you select must have a surge block high enough to protect the appliance it is connected to. If you have any questions regarding the type and size of surge protector needed, contact a licensed electrician in your area.
- Damages due to power surges are considered a manufacturer covered defect and will void your product warranty.

1. After moving your freezer or reversing the doors, wait two hours before turning it on. This reduces the chance of a malfunction in the cooling system from handling and transportation.
2. Plug your freezer's power cord into a grounded power outlet. Your freezer automatically turns on.
3. Set the temperature. See page 10 for more detailed instructions.
4. Let your freezer run for at least four hours. When your freezer has fully chilled, place your food in your freezer compartments.

# USING YOUR FREEZER

## USING THE CONTROL PANEL



### 1.0 User interface introduction

**FRIDGE:** Fridge temperature control of the appliance

**FREEZER/SUPER 3s:** Temperature control of the appliance. Select and deselect super mode control.

**ALARM/°C to °F switch:** Clear door opening alarm and high temperature alarm. Switch between Celsius (°C) and Fahrenheit (°F).

**LOCK:** Locking and unlocking.

#### 1.1 LED Display

1. Display window for preset temperature
2. Super mode icon
3. Fahrenheit
4. Celsius
5. Locking and unlocking icon

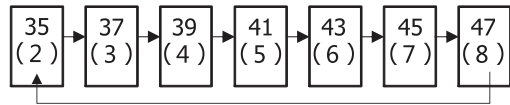
### 2.0 Illustration of the buttons

All buttons are valid only in unlocking status.  
Short beep after per touching of buttons.

**2.1 FRIDGE:** temperature control of the appliance available only for user defined mode.

Touching "FRIDGE" button consecutively, the temperature will change in a circle from 2°C (35°F) ~ 8°C (47°F), stop touching and after 5 seconds flashing, temperature is set.

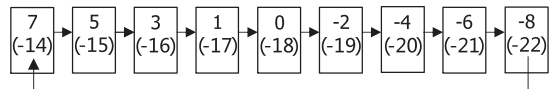
### Fridge



**2.2 FREEZER:** temperature control of the appliance available only for user defined mode.

Touching "FREEZER" button consecutively, the temperature will change in a circle from -14°C (7°F) ~ -22°C (8°F), stop touching and after 5 seconds flashing, temperature is set.

### Freezer



**SUPER 3s:** select and deselect super mode.

Press "SUPER 3s" button to select super mode when the product is in FREEZER mode. After 5 seconds flashing of super mode icon, super mode is selected.

When super mode is selected, super mode icon will light on and display window will show -25°C (-13°F).

In super mode, touching "FREEZER" button, super mode icon will flash 3 times, but freezer temperature cannot be changed.

To exit Super mode,

- Press "SUPER" button to deselect Super mode,
- Or after 50 hours of super mode without any operation, the refrigerator will automatically stop it and enter into previous setting.

#### Warning:

In super mode, noise of the appliance may be slightly higher than normal running.

**2.3 ALARM/°C to °F switch:** Clear door opening alarm and high temperature alarm. Switch between Celsius (°C) and Fahrenheit (°F).


#### **ALARM**

Clear door opening alarm and high temperature alarm. Short touching "ALARM" button to clear door opening alarm and high temperature alarm.


#### **°C to °F switch**

Press and hold "ALARM" button for 3 seconds to switch the temperature units between Celsius (°C) and Fahrenheit (°F)

#### **2.4 LOCK: Locking and Unlocking**

Touching "LOCK" button for 3 seconds to lock the control panel, then the locking and unlocking icon will be "  " .

In locking status, touch any button, the locking and unlocking icon will flash 3 times.

Touching "LOCK" button for 3 seconds to unlock the control panel, then the locking and unlocking icon will be "  " .

In unlocking status, all buttons are available. If no operation in 25 seconds, the control panel will be locked automatically.

#### **3.0 Door opening alarm**

If the door keeps opening for 90 seconds, door opening alarm sounds. Close the door to stop the door opening alarm, or short touching "ALARM" button to clear door opening alarm.

#### **4.0 High temperature alarm**

If high internal temperature of the appliance is detected, high temperature alarm will sound, "ht" and detected temperature will display alternately on display window. Touch "ALARM" button to stop door opening alarm.

High temperature display will disappear automatically only if detected temperature goes back to normal.

#### **5.0 Running modes**

##### **Freeze Boost Mode**

In this mode, the temperature of freezer is automatically set at -25°C (-13°F). The temperature in freezer will be reduced fastly.

If you plan to freeze a large number food in one time, please select Freeze Boost mode 24 hours ahead.

In this mode, the temperature of fridge is still adjustable. And appliance will go back to previous running mode automatically after 50 hours.

##### **Door open alarm**

If door is opened for long time (> 60 seconds), alarm will rise automatically. Please close the door immediately to save energy.

## STORING FOOD

When storing food in either your refrigerator or freezer compartment:

- Let hot food cool to room temperature before storing. This helps prevent the internal temperature from rising, which can result in excess electricity use and frost formation.
- Do not overcrowd food. Instead, leave space between items for air circulation so they can be cooled effectively.
- To prevent cross-contamination, flavor transfer, and moisture loss, food should be separately packed or covered and placed on separate shelves. Fruit and vegetables do not need to be wrapped.
- To prevent cold air from escaping, try to limit the number of times you open the doors. Sort foods to be kept in your refrigerator or freezer before opening the door. Only open the door to put food in or take it out.
- Do not keep food past the manufacturer's recommended expiration or best by date.

## REFRIGERATING FOOD

When placing food in your refrigerator:

- Keep raw meats on a plate that is large enough to collect juices and cover it with cling film or foil.
- Store cooked meats on a shelf above raw meats to avoid bacterial transfer.

## FREEZING FOOD

When placing food in your freezer:

- Make sure that you select the correct storage containers or bags:
    - Do not use glass, thin cling film, or used food containers.
    - Use special freezer bags, freezer film, plastic bags, plastic containers, or aluminum foil to store acidic foods (such as citrus fruits).
    - Consider how you want to cook your food before freezing it. Don't freeze food in metal containers if you want to microwave it straight from the freezer.
  - Remove as much air from the container or bag as possible. If you're freezing liquids, leave a small amount of air space to allow for expansion.
- ⓘ If you want, you can buy a vacuum pump that sucks extra air out of packaging.
- Chill food in your refrigerator before freezing, if possible.

- Do not place unfrozen food in direct contact with food that is already stored and frozen. Do not add too many unfrozen items at once.
- You can use the space in the freezer most efficiently if you freeze liquids (or solids with liquids, such as stew) in square blocks. Pour the liquid into a plastic bag that is placed inside a square-sided container. Freeze it, then remove the bag from the container and seal the bag.
- Do not store carbonated drinks in the freezer compartment.
- Place frozen food into the freezer as quickly as possible after purchase. If there are instructions on the packet, carefully follow these instructions regarding storage times.
- If you place too much food in the freezer at once, the freezing ability is reduced which affects the quality of your frozen food.
- If the internal temperature of frozen food rises during maintenance or cleaning, it may shorten the storage life of your food.

## **NAVIGATING POWER OUTAGES**

If you lose power or your freezer stops working:

- After the freezer has been turned off, unplugged, or lost power, wait 3–5 minutes before turning the freezer back on. If you try to turn it on before this time, the refrigerator will not start.
- Keep the door closed as much as possible. Even in the summer, food inside your freezer can be kept for several hours.
- Do not place additional food in your freezer.
- Place a water-tight container of ice in the freezer to help keep your food cold.
- If a power outage is planned, lower your freezer temperatures as much as possible an hour before the power will go out. Do not store new food during this time.

## **SAVING ENERGY**

Follow these energy tips to help reduce your freezer's energy use:

- Install your freezer in the coolest part of the room, out of direct sunlight and away from heating ducts or registers. Do not place your freezer next to heat-producing appliances such as a range, oven, or dishwasher.
- Your freezer door should remain open only as long as necessary. Organize and label food to reduce door openings. Remove as many items as needed at one time and close the door as soon as possible.
- Do not place hot food inside your freezer. Instead, cool food to room temperature before storing.

## **MAINTAINING YOUR FREEZER**

### **CLEANING AND CARE**

- Your freezer has a frost-free design that doesn't require manual defrosting.
- Before cleaning the interior, turn off the power and remove all food, drinks, shelves, and drawers.
  - Clean your freezer with non-corrosive neutral detergents and a soft cloth or sponge dipped in water. Open the door to air dry before the power is turned on.
  - Clean the freezer with clean water and a dry cloth. Open the door to air dry before the power is turned on.
  - Clean trays, shelves, and drawers with non-corrosive neutral detergents and a soft cloth. Dry them with a soft cloth or let them air dry.
- Wipe the outside cabinet with soapy water or detergent and a soft cloth, then wipe dry.
- Check door seals regularly to make sure that they are clean and free from food particles.

- Make sure that your freezer door is properly closed to avoid increased energy consumption, and the formation of excess ice or condensation inside.
- Constantly circulating cold air keeps the temperature homogenous inside your freezer. For this reason, it is important to properly distribute the food and not block air vents to facilitate the flow of air.
- Cover food and wipe containers dry before placing them in your freezer. This cuts down on moisture buildup inside your freezer.
- Do not line the shelves with aluminum foil, wax paper, or paper towels. Liners interfere with cold air circulation, making your freezer less efficient, which could cause food spoilage.
- Clean with soapy water or diluted detergent and a soft cloth.
- Clean dust and debris behind your freezer and on the ground to improve the cooling and energy savings.
- Do not use hard brushes, steel wool, wire brushes, abrasives (such as toothpaste), organic solvents (such as alcohol, acetone, or banana oil), boiling water, acid, or alkaline items to clean your freezer. These things may damage your freezer surface and interior.
- Do not rinse directly with water or other liquids during cleaning to avoid short circuits or damage to electrical insulation.

## **REPLACING THE LIGHT**


Your freezer's LED is designed for a long life and is not user replaceable. Contact a qualified service provider to replace.


## **MOVING YOUR FREEZER**


- Before your freezer is moved:
  - Take all objects out of your freezer.
  - Secure the shelves, drawers, and doors with tape.
  - Tighten the leveling feet.
- After moving or reversing the door, wait two hours before turning on your freezer. This reduces the chance of a malfunction in the cooling system from handling and transportation.

# SAFETY AND PRECAUTIONS

We have provided many important safety messages in this manual for your appliance. Always read and obey all safety messages.

 <b>WARNING</b>	<p>This is the Safety Alert Symbol. This symbol alerts you to potential hazards that can kill or injure you and others. All safety messages will follow the Safety Alert Symbol and either the words "DANGER," "WARNING," or "CAUTION."</p>
---	---

 <b>DANGER</b>	<p>Danger means that failure to heed this safety statement may result in severe personal injury or death.</p>
--	---

 <b>WARNING</b>	<p>Warning means that failure to heed this safety statement may result in extensive product damage, serious personal injury, or death.</p>
---	--

<b>CAUTION</b>	<p>Caution means that failure to heed this safety statement may result in minor or moderate personal injury, property, or equipment damage.</p>
----------------	---

## PREPARING FOR LONG-TERM STORAGE

If your freezer is not going to be used for several months, turn it off, unplug it, remove all food, clean/dry it, and leave the doors open (or remove them) to prevent unpleasant smells or mold.



Supervise small children to make sure that they do not climb inside the freezer.

## SERVICING YOUR FREEZER

Your freezer should be serviced by a qualified technician, and only genuine spare parts should be used. Under no circumstances should you attempt to repair the freezer yourself. Repairs carried out by inexperienced persons may cause injury or serious malfunction.

**For servicing under the Warranty, call or email Koolatron Customer Assistance. See info on back page of this manual.**

All safety messages will alert you to know what potential hazard is, tell you how to reduce the chance of injury, and let you know what can happen if the instructions are not followed.

## REFRIGERANT GAS WARNINGS



**CAUTION:** Risk of Fire


- **DANGER:** Risk of fire or explosion. Flammable refrigerant used.
- **DO NOT** use mechanical devices to defrost the freezer. **DO NOT** puncture refrigerant tubing.
- **DANGER:** Risk of fire or explosion. Flammable refrigerant used. To be repaired only by trained service personnel. **DO NOT** puncture refrigerant tubing.
- **CAUTION:** Risk of fire or explosion. Flammable refrigerant used. Consult repair manual/owner's guide before attempting to service this product. All safety precautions must be followed.
- **CAUTION:** Risk of fire or explosion. Dispose of property in accordance with federal or local regulations. Flammable refrigerant used.

- **CAUTION:** Risk of fire or explosion due to puncture of refrigerant tubing. Follow handling instructions carefully. Flammable refrigerant used.
- **CAUTION:** This appliance is not intended for use by persons (including children) with reduced physical, sensory, or mental capabilities, or lack of experience and knowledge, unless they have been given supervision or instruction concerning use of the appliance by a person responsible for their safety. Children should be supervised to ensure that they do not play with the appliance.
- Unplug the freezer or disconnect power before cleaning or servicing. Failure to do so can result in electrical shock or death.
- Do not attempt to repair or replace any part of your freezer unless it is specifically recommended in this manual. All other servicing should be referred to a qualified technician.

 **WARNING**

**FOLLOW WARNINGS BELOW ONLY WHEN APPLICABLE TO YOUR MODEL:**


**IMPORTANT SAFEGUARDS**

 Before the freezer is used it must be properly positioned and installed as described in this manual, so read the manual carefully. To reduce the risk of fire, electrical shock, or injury when using the freezer, follow basic precautions including the following:

 **DANGER**

- Plug into a grounded 3-prong outlet, do not remove the grounding prong, do not use an adapter, and do not use an extension cord.
- It is recommended that a separate circuit, serving only your freezer be provided. Use receptacles that cannot be turned off by a switch or pull chain.
- Never clean freezer parts with flammable fluids. These fumes can create a fire hazard or explosion. Do not store or use gasoline or other flammable vapors and liquids in the vicinity of this or any other appliance. The fumes can create a fire hazard or explosion.
- Before proceeding with cleaning and maintenance operations, make sure that the freezer's power cord is disconnected.
- Do not connect or disconnect the electric plug when your hands are wet.
- If the SUPPLY CORD is damaged, it must be replaced by the manufacturer, its service agent or similarly qualified persons in order to avoid a hazard.
- Use two or more people to move and install your freezer. Failure to do so can result in back or other injury.
- To ensure proper ventilation for your freezer, the front of the unit must be completely unobstructed. Choose a well-ventilated area with temperatures above 60°F (16°C) and below 90°F (32°C). This freezer must be installed in an area protected from the elements, such as wind, rain, water spray, or drips.
- The freezer should not be located next to ovens, grills, or other sources of high heat.
- The freezer must be installed with all electrical, water, and drain connections in accordance with state and local codes. A standard electrical supply (115 V AC only, 60 Hz), properly grounded in accordance with the National Electrical Code and local codes and ordinances is required.
- Do not kink or pinch the power supply cord of your refrigerator.
- The fuse (or circuit breaker) size should be 15 amperes.
- It is important for the freezer to be leveled in order to work properly. You may need to make several adjustments to level it.
- All installation must be in accordance with local plumbing code requirements.

- Make sure that the pipes are not pinched, kinked, or damaged during installation.
- Check for leaks after connection.
- Never allow children to operate, play with, or crawl inside the freezer.
- If you use the drainage container, you must unplug the freezer or the water can overflow from the drainage container.
- Although the unit has been tested at the factory, due to long-term transit and storage, the first batch of ice cubes must be discarded.
- Do not use solvent-based cleaning agents or abrasives on the interior. These cleaners may damage or discolor the interior.
- Do not use this freezer for anything other than its intended purpose.
- Do not use electrical appliances inside the food storage compartments of the appliance, unless they are of the type recommended by the manufacturer.

	<p><b>Prop. 65 Warning for California Residents</b>  <b>WARNING:</b> Cancer and Reproductive Harm - <a href="http://www.P65Warnings.ca.gov">www.P65Warnings.ca.gov</a>.</p>
---	---

## IMPORTANT SAFETY INSTRUCTIONS

### WARNING

To reduce the risk of fire, electrical shock, or injury when using your refrigerator-freezer, follow these basic precautions:

- Read all instructions before using the freezer.
- **DANGER or WARNING:** Risk of child entrapment. Child entrapment and suffocation are not problems of the past. Junked or abandoned freezers are still dangerous, even if they will “just sit in the garage a few days.”
- Before you throw away your old refrigerator: Take off the doors. Leave the shelves in place so that children may not easily climb inside.
- Never allow children to operate, play with, or crawl inside the freezer.
- Never clean freezer parts with flammable fluids. The fumes can create a fire hazard or explosion.
- Do not store or use gasoline or any other flammable vapors and liquids in the vicinity of this or any other freezer. The fumes can create a fire hazard or explosion.

## SAVE THESE INSTRUCTIONS

THIS APPLIANCE IS FOR HOUSEHOLD USE ONLY

## SPECIFICATIONS

- Unit Dimensions ( H x W x D ) :  
74.6 x 33.1 x 30.8 in ( 189.5 x 84 x 78.3 cm )
- Net Weight : 180 lbs ( 82 kg )
- Gross Weight : 200 lbs ( 91 kg )
- Capacity : 21.2 ft<sup>3</sup> (0.6m<sup>3</sup>)
- Rated Voltage : 115 V
- Rated Frequency : 60 Hz

# TROUBLESHOOTING

If your freezer has problems, check this table before making a service call.

PROBLEM	SOLUTION
Not turning on	<ul style="list-style-type: none"> <li>• Make sure that your freezer is securely connected to a working power outlet.</li> <li>• Check if the power is out or a circuit breaker has tripped.</li> <li>• Make sure that the power outlet uses the correct voltage ( 115 V ).</li> </ul>
Bad odor	<ul style="list-style-type: none"> <li>• Make sure that food are tightly wrapped.</li> <li>• Make sure that there is no rotten food in your freezer .</li> <li>• Clean the inside of your freezer.</li> </ul>
Compressor runs for a long time or turns on and off frequently	<ul style="list-style-type: none"> <li>• The compressor running for a long time is normal in the summer when the ambient temperature is high.</li> <li>• Make sure that your freezer is not overloaded with too much food. Keep items separated to promote better air circulation.</li> <li>• Make sure that your freezer has the correct clearances for air circulation. See "<u>Positioning your</u> freezer " on page Z for more information.</li> <li>• Cool foods to room temperature before placing them inside your freezer.</li> <li>• The door are opened too frequently. Keep the door closed.</li> <li>• Adjust your freezer or freezer compartment's temperature.</li> <li>• Clean the door seals and check them for damage.</li> </ul>
Light is not working	<ul style="list-style-type: none"> <li>• Make sure that your freezer is turned on and running.</li> <li>• If the light is burned out or damaged, have it replaced by a qualified service provider.</li> </ul>
Doors are not properly closing	<ul style="list-style-type: none"> <li>• Move items that are preventing the door from closing.</li> <li>• Make sure that your freezer is on a hard, flat surface and adjust the leveling feet.</li> <li>• Clean the door seals and check them for damage.</li> </ul>
Loud noise	<ul style="list-style-type: none"> <li>• Make sure that the floor and freezer are level and stable.</li> <li>• Make sure that accessories are placed in their proper locations.</li> </ul>

PROBLEM	SOLUTION
Door seal is not tight	<ul style="list-style-type: none"> <li>• Clean the door seals.</li> <li>• Heat the door seal (blow it with a hair dryer or use a hot towel) and then cool it to restore the seal.</li> </ul>
Water pan overflows	<ul style="list-style-type: none"> <li>• There is too much food in the chamber or food stored contains too much water, causing heavy defrosting. Remove excess food.</li> <li>• The doors are not closed properly, causing increased water from defrosting. Move items blocking the door or check the door seal.</li> </ul>
Hot housing	<ul style="list-style-type: none"> <li>• It is normal to have heat from the built-in condenser dissipate through the housing. If the housing becomes too hot due to high ambient temperature, storage of too much food, or compressor shutdown, make sure that you have good ventilation to help with heat dissipation.</li> </ul>
Surface condensation	<ul style="list-style-type: none"> <li>• Condensation on the outside of your freezer and door seals is normal when the ambient humidity is too high. Just wipe the condensate with a clean towel.</li> </ul>
Abnormal noise	<ul style="list-style-type: none"> <li>• The compressor may produce buzzes during operation, and the buzzes are loud particularly upon start or stop. This is normal.</li> <li>• Refrigerant flowing inside of the appliance may creak, which is normal.</li> <li>• Make sure that your freezer is level.</li> </ul>

# LEGAL NOTICES

## DISPOSAL

Old units still have some residual value. An environmentally friendly method of disposal will ensure that valuable raw materials can be recovered and used again. The refrigerant used in your unit and insulation materials require special disposal procedures. Ensure that none of the pipes on the back of the unit are damaged prior to disposal. Up to date information concerning options of disposing of your old unit and packaging from the new one can be obtained from your local council office.

When disposing of an old unit break any old locks or latches and remove the door as a safeguard.

## CORRECT DISPOSAL OF THIS PRODUCT

Old appliances still have some residual value. An environmentally friendly method of disposal will ensure that valuable raw materials can be recovered and used again.



This marking indicates that this product should not be disposed with other household wastes throughout the US. To prevent possible harm to the environment or human health from uncontrolled waste disposal, recycle it responsibly to promote the sustainable reuse of material resources. To return your used device, please use the return and collection systems or contact the retailer where the product was purchased. They can take this product for environmentally safe recycling.

For more information, please contact the local authority or your retailer where you purchased the product.

# WARRANTY



FOR TWO YEARS from the date of sale this product is warranted against defects in material or workmanship.

WITH PROOF OF SALE a defective product will be repaired or replaced free of charge.

The Kenmore brand is used under license. Direct all claims for warranty service to Koolatron Customer Assistance, call 1-800-265-8456 or email [service@koolatron.com](mailto:service@koolatron.com)

This warranty covers manufacturer's defects including electrical and mechanical defects provided the appliance is correctly assembled, operated and maintained according to the supplied instructions. It does not cover damage caused by accident, misuse or abuse including overheating, unauthorized repairs or alterations, or use with a voltage converter or aftermarket accessories, and it does not apply to scratches, stains, discoloration or other surface damage that does not impair the product function. This warranty is void if the appliance is ever used for purposes other than private household use.

Koolatron Corporation  
4320 Federal Drive, Batavia, NY 14020 U.S.A.  
139 Copernicus Blvd., Brantford, ON N3P1N4 Canada

Kenmore and the Kenmore logo are registered trademarks  
to Transform SR Brands Management LLC  
and are used under license by Koolatron Corporation

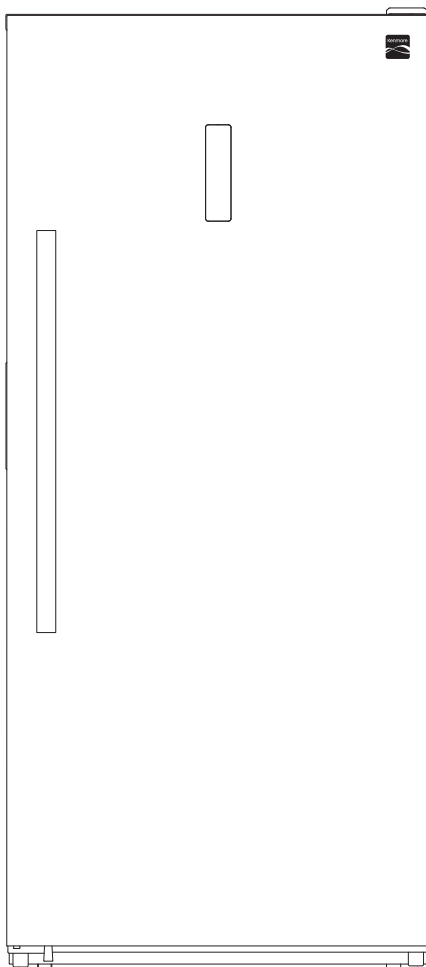
H1S399  
03/2024-v2

# Kenmore<sup>®/MD</sup>



## Congélateur/réfrigérateur horizontal convertible

600L



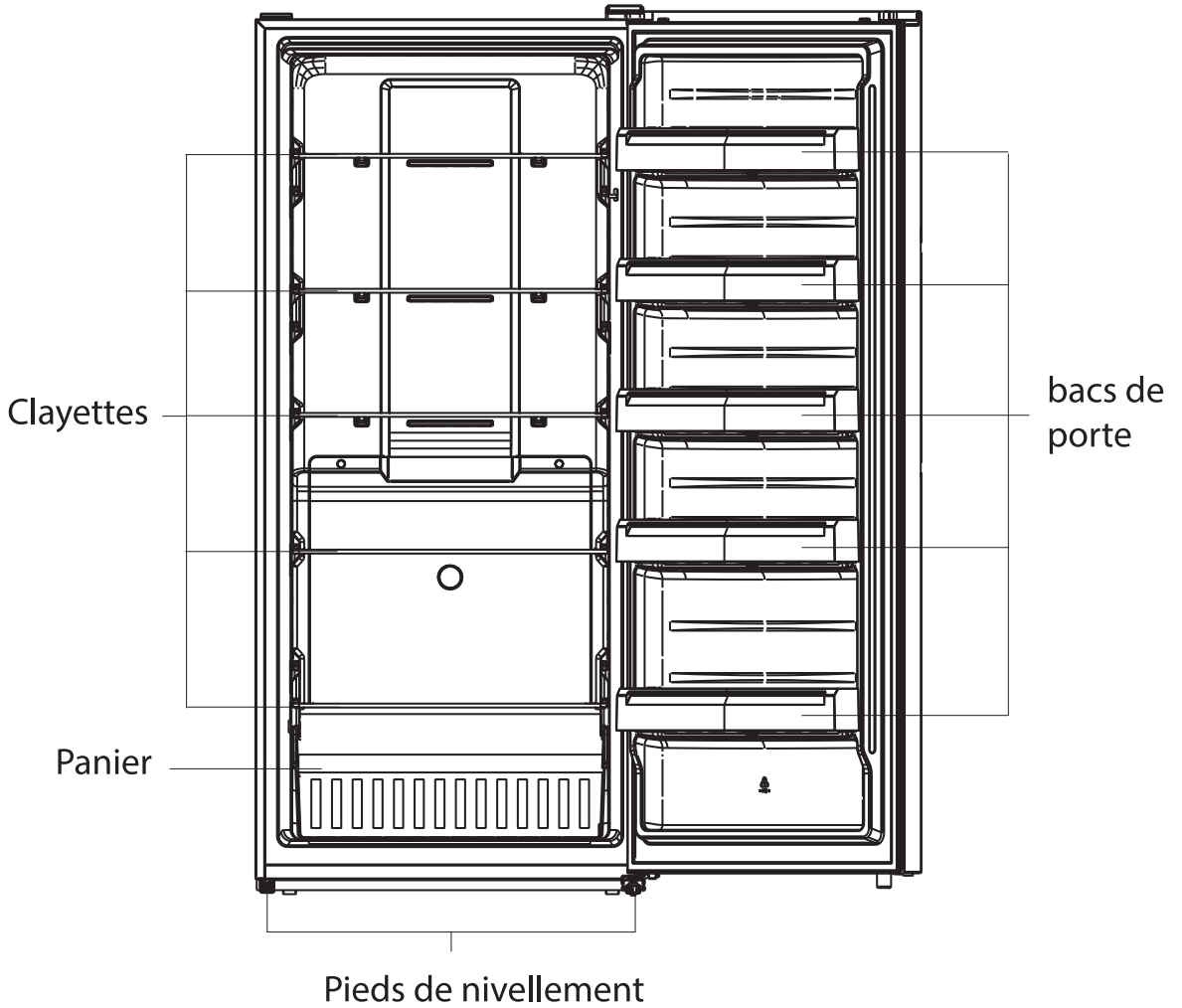
Service à la clientèle  
1-800-265-8456  
[www.koolatron.com](http://www.koolatron.com)

KKUF21-W-HO  
Guide d'utilisation et d'entretien

# CONTENU

CONNAISSEZ VOTRE CONGÉLATEUR	
Vue intérieure.....	3
MISE EN PLACE DE VOTRE CONGÉLATEUR	
Inversion de la porte.....	4
Positionnement de votre congélateur.....	6
Ajustement des accessoires de rangement.....	8
Mise en marche de votre congélateur .....	8
UTILISATION DE VOTRE CONGÉLATEUR	
Panneau de contrôle.....	9
Stockage des aliments .....	11
Gestion des pannes de courant.....	12
Économie d'énergie .....	12
ENTRETIEN DE VOTRE CONGÉLATEUR	
Nettoyage et entretien .....	12
Remplacement de l'ampoule.....	13
Déplacement de votre congélateur .....	13
SÉCURITÉ ET PRÉCAUTIONS	
Préparation pour le stockage à long terme .....	14
Entretien de votre congélateur .....	14
Consignes de sécurité importantes.....	15
Instructions de sécurité .....	16
SPÉCIFICATIONS .....	16
DÉPANNAGE .....	17
AVIS LÉGAUX.....	19
GARANTIE .....	20

# VUE INTÉRIEURE



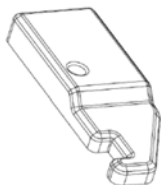
# MISE EN PLACE DE VOTRE CONGÉLATEUR

## INVERSION DE LA CHARNIÈRE SUPÉRIEURE DE LA PORTE

Avant d'inverser la porte, veuillez préparer les accessoires suivants dans le sac de pièces de rechange:



CHARNIÈRE SUPÉRIEURE  
GAUCHE X 1



COUVERCLE DE LA CHARNIÈRE  
SUPÉRIEURE GAUCHE X 1

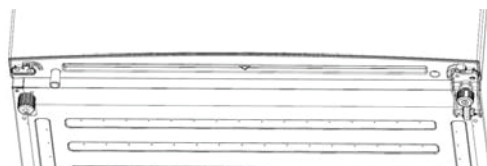


COUVERCLE DE LA CHARNIÈRE  
SUPÉRIEURE DROITE X 1

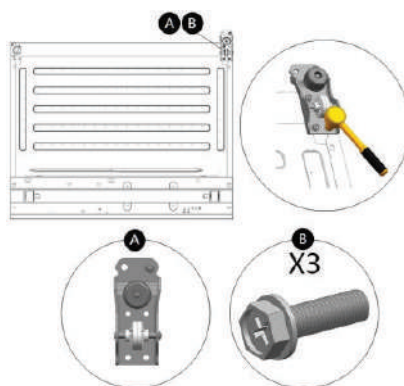
### ATTENTION :






Cette procédure nécessitera la présence de 2 personnes pour être réalisée en toute sécurité.

1. Allongez le congélateur sur le dos sur une surface rembourrée.

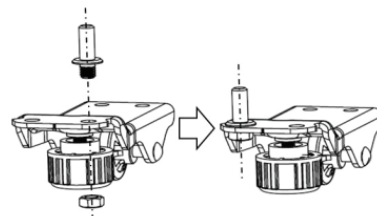


2. Retirez les 3 vis (B) maintenant la charnière inférieure (A) à l'armoire avec une douille de 8 mm et une clé à cliquet.



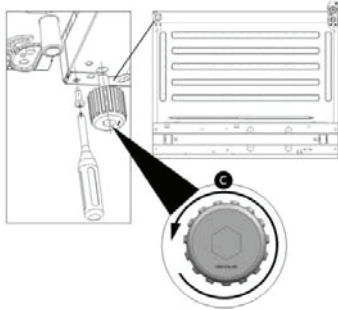
Outils nécessaires (non inclus)
 tournevis cruciforme
 tournevis à tête plate
 douille de 8 mm avec cliquet
 clé à molette
 pinces

3. Dévissez et insérez la goupille de charnière du côté opposé de la charnière inférieure à l'aide d'une clé à molette

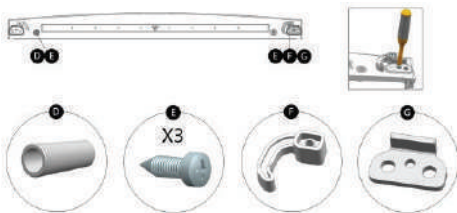


Avant de commencer, tournez la commande de température de l'appareil sur OFF et débranchez le cordon d'alimentation électrique de la prise murale. Retirez toute nourriture des étagères de la porte.

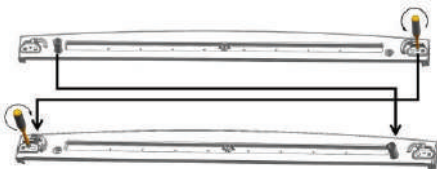
4. Dévissez le pied de nivellement réglable gauche et desserrez la vis.



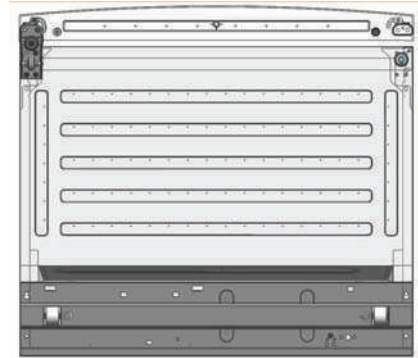
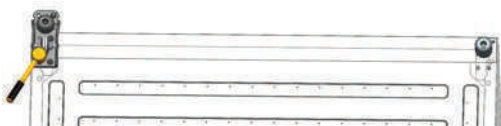
5. Retirez le dispositif de fermeture assistée (F), le bloc métallique (G) et le support (D).



6. Réinstallez le dispositif de fermeture assistée (F) et le bloc métallique (G) sur le côté gauche, et le support (D) sur le côté droit.



7. Fixez la charnière inférieure (A) avec 3 vis (B) et le pied de nivellement réglable (C) sur le côté gauche de l'armoire.



Note importante :

Lorsque vous vissez la charnière inférieure : Déplacez légèrement la porte vers la gauche ou la droite pour vous assurer que le trou de la charnière est aligné avec le trou de l'armoire. Insérez les 3 vis à mi-hauteur, puis alignez la charnière et serrez complètement.

8. À l'aide d'une douille de 8 mm et d'une clé à cliquet :

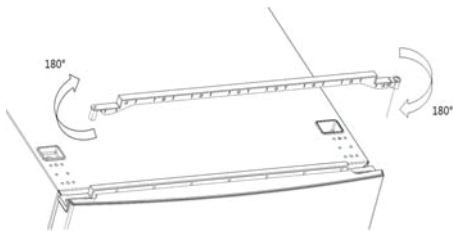
a. Dévissez le couvercle de charnière supérieur droit et le couvercle décoratif supérieur gauche ; déconnectez l'interrupteur de porte et l'affichage.



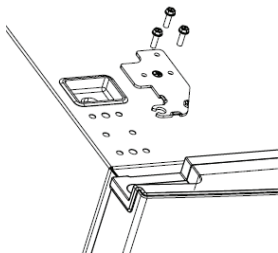
b. Retirez la charnière supérieure du côté droit



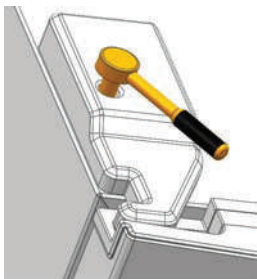
9. Retirez le couvercle décoratif supérieur avant de la porte ; tournez le couvercle (avec le fil de connexion) de 180° et installez-le.



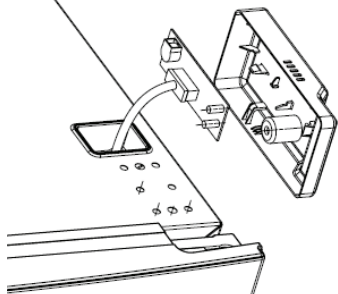
10. Installez la charnière supérieure gauche (fournie dans le sac de pièces de rechange).



11. Connectez le connecteur de l'interrupteur de porte et de l'affichage, puis installez le couvercle de la charnière supérieure gauche (fourni dans le sac de pièces de rechange).



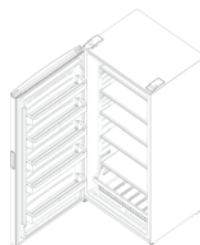
12. Installez le PCB dans le couvercle de la charnière de la porte



13. Installez le couvercle de charnière de porte (fourni dans le sac de pièces de rechange).



14. Redressez l'appareil en position verticale. Ouvrez et fermez la porte pour vérifier si la porte s'ouvre et se ferme en douceur.

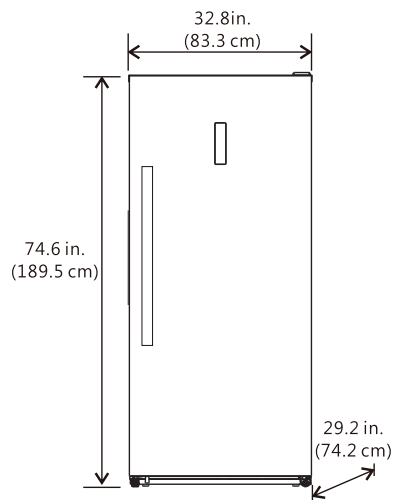


15. Attendez 2 heures avant de rebrancher l'appareil sur la prise électrique.

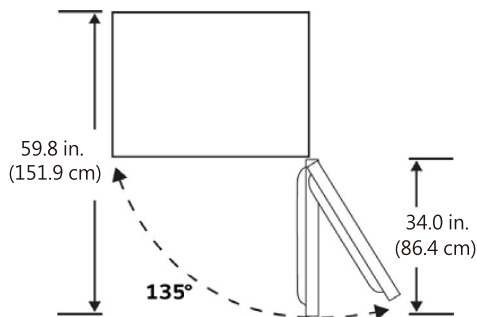
## POSITIONNEMENT DE VOTRE CONGÉLATEUR

o Placez votre congélateur dans un emplacement qui permet aux portes de s'ouvrir complètement et assure une circulation d'air adéquate.

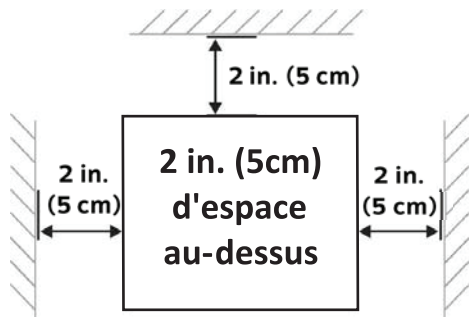
Le congélateur mesure :  
 74,6 pouces (189,5 cm) de hauteur,  
 32,8 pouces (83,3 cm) de largeur et  
 29,2 pouces (74,2 cm) de profondeur



o La porte s'ouvre à un angle de 135° et nécessite 34,0 pouces (86,4 cm) d'espace devant pour s'ouvrir complètement.



o Vous devez avoir au moins 2 pouces (5 cm) d'espace sur les côtés, au-dessus et derrière de le congélateur.



• **Ne pas placer à proximité de sources de chaleur, de lumière directe du soleil ou dans des endroits où la température dépassera 110°F (43°C).**

Les cuisinières, les radiateurs, les dépendances ou la lumière directe du soleil peuvent augmenter la consommation d'énergie ou affecter le revêtement acrylique. À des températures ambiantes élevées, le compresseur ne pourra pas maintenir la température adéquate à l'intérieur du réfrigérateur.

• **Ne pas placer dans un endroit où la température descendra en dessous de 55°F (13°C).**

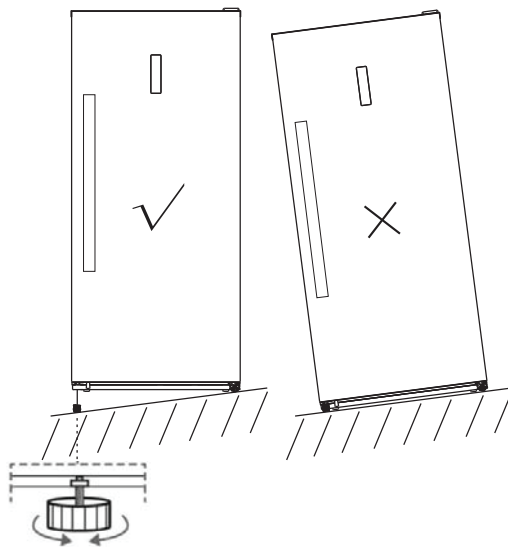
Le compresseur pourrait ne pas être en mesure de maintenir la température adéquate à l'intérieur du congélateur.

• **Ne pas placer le congélateur dans des endroits humides ou aqueux.**

Ne pas mettre votre congélateur dans des endroits humides susceptibles d'être éclaboussés d'eau.

• **Placez votre congélateur sur une surface dure et plane.**

o Pour mettre votre congélateur à niveau, tournez les pieds avant pour les relever (dans le sens des aiguilles d'une montre) ou les abaisser (dans le sens inverse des aiguilles d'une montre).



o Si votre congélateur n'est pas à niveau, la porte risqué de ne pas se fermer correctement.

• **Votre congélateur est conçu uniquement pour un usage domestique et des applications similaires.**

o Les cuisines du personnel dans les magasins, les bureaux et autres environnements de travail.

o Les maisons de ferme et par les clients dans les hôtels, motels et autres environnements de type résidentiel.

o Les environnements de type bed-and-breakfast.

o Les applications de restauration et similaires non destinées à la vente au détail.

• **Placez votre congélateur dans une pièce bien ventilée.**

## AJUSTEMENT DES ACCESSOIRES DE RANGEMENT

Pour ajuster la hauteur d'une étagère, tirez-la vers l'avant jusqu'à ce qu'elle puisse être pivotée vers le haut ou vers le bas et retirée, puis faites-la glisser dans les guides pour la remettre en place.

## MISE EN MARCHÉ DE VOTRE CONGÉLATEUR

### AVERTISSEMENT: Connexions électriques

Cet appareil doit être correctement mis à la terre pour votre sécurité.

Le cordon d'alimentation de ce congélateur est équipé d'une fiche à trois broches qui se branche sur des prises murales standard à trois broches pour réduire au minimum le risque de choc électrique. Ne coupez en aucun cas ni ne retirez la troisième broche de mise à la terre du cordon d'alimentation fourni.

Ce congélateur nécessite une prise électrique standard de 115/120V CA, 60 Hz, avec mise à la terre à trois broches. Faites vérifier la prise murale et le circuit par un électricien qualifié pour vous assurer que la prise est correctement mise à la terre.

Lorsqu'une prise murale standard à 2 broches est rencontrée, il est de votre responsabilité et obligation de la faire remplacer par une prise murale à 3 broches correctement mise à la terre.

Le cordon doit être fixé derrière l'appareil et ne doit pas être laissé exposé ou pendre pour éviter tout risque de blessure accidentelle.

L'appareil doit toujours être branché sur sa propre prise électrique individuelle dont la tension correspond à l'étiquette de spécification de l'appareil. Cela garantit les meilleures performances et empêche également la surcharge des circuits électriques de la maison, ce qui pourrait provoquer un risque d'incendie dû à la surchauffe.

Ne débranchez jamais l'appareil en tirant sur le cordon d'alimentation. Tenez toujours fermement la fiche et tirez droit hors de la prise.

Réparez ou remplacez immédiatement tous les cordons d'alimentation qui sont effilochés ou endommagés de quelque manière que ce soit. N'utilisez pas de cordon qui présente des fissures ou des dommages par abrasion sur toute sa longueur ou à l'une ou l'autre de ses extrémités. Lors du déplacement de l'appareil, veillez à ne pas endommager le cordon d'alimentation.

### AVERTISSEMENT: Rallonges électriques

• En raison de risques potentiels pour la sécurité dans certaines conditions, il est fortement recommandé de ne pas utiliser une rallonge avec cet appareil.

• Si une rallonge est nécessaire, vous devez utiliser une rallonge pour appareil de type mise à la terre à trois fils homologuée UL/CUL, avec une fiche et une prise de type mise à la terre, et dont la tension électrique de la rallonge est de 115 volts et d'au moins 10 ampères.

### AVERTISSEMENT: Parasurtenseurs

• La plupart des appareils électriques utilisent une série de cartes de commande électroniques pour fonctionner. Ces cartes sont très sensibles aux surtensions électriques et pourraient être endommagées ou détruites.

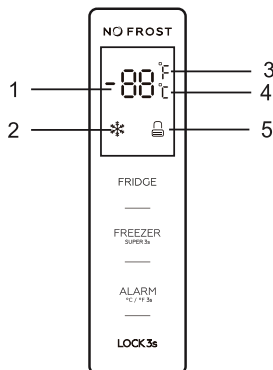
• Si votre congélateur doit être utilisé dans une région sujette aux surtensions/pannes de courant, il est conseillé d'utiliser un parasurtenseur pour tous les dispositifs/appareils électriques que vous utilisez. Le parasurtenseur que vous choisissez doit avoir une protection contre les surtensions suffisamment élevée pour protéger l'appareil auquel il est connecté. Si vous avez des questions concernant le type et la taille du parasurtenseur nécessaire, contactez un électricien agréé de votre région.

• Les dommages dus aux surtensions ne sont pas considérés comme un défaut couvert par la garantie du fabricant et annuleront la garantie de votre produit.

1. Après avoir déplacé votre congélateur ou inversé la porte, attendez deux heures avant de l'allumer. Cela réduit le risque de dysfonctionnement du système de refroidissement dû à la manipulation et au transport.
2. Branchez le cordon d'alimentation de votre congélateur dans une prise électrique mise à la terre. Votre congélateur s'allume automatiquement.
3. Réglez la température. Voir la page 10 pour des instructions plus détaillées.
4. Laissez votre congélateur fonctionner pendant au moins quatre heures. Lorsque votre congélateur est complètement refroidi, placez vos aliments dans les compartiments du congélateur.

# UTILISATION DE VOTRE CONGÉLATEUR

## UTILISATION DU PANNEAU DE CONTRÔLE



### 1.0 Introduction à l'interface utilisateur

**FRIGO:** Commande de température du réfrigérateur de l'appareil

#### **FREEZER/SUPER 3s**

Commande de température de l'appareil.  
Sélectionner et désélectionner le mode super.

#### **ALARME/commutateur °C à °F**

Effacer l'alarme d'ouverture de porte et l'alarme de température élevée. Passer de Celsius (°C) à Fahrenheit (°F).

**VERROUILLAGE:** Verrouillage et déverrouillage.

### 1.1 Écran LED

1. Fenêtre d'affichage de la température préréglée
2. Icône du mode super
3. Fahrenheit
4. Celsius
5. Icône de verrouillage et de déverrouillage

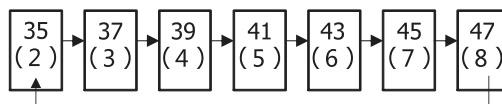
### 2.0 Illustration des boutons

Tous les boutons sont valides uniquement en mode de déverrouillage. Un bref bip sonore après chaque pression sur les boutons.

**2.1 FRIGO:** commande de température de l'appareil disponible uniquement en mode défini par l'utilisateur.

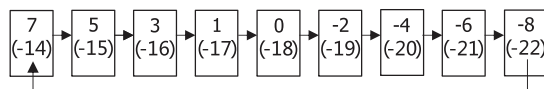
En appuyant de manière consécutive sur le bouton "FRIGO", la température changera en cercle de 2°C (35°F) à 8°C (47°F). Cessez d'appuyer et après 5 secondes de clignotement, la température est réglée.

### Réfrigérateur



**2.2 CONGÉLATEUR :** commande de température de l'appareil disponible uniquement en mode défini par l'utilisateur. En appuyant de manière consécutive sur le bouton "FREEZER", la température changera en cercle de -14°C (7°F) à -22°C (8°F). Cessez d'appuyer et après 5 secondes de clignotement, la température est réglée.

### Congélateur



**SUPER 3s:** sélectionner et désélectionner le mode super. Appuyez sur le bouton "SUPER 3s" pour sélectionner le mode super lorsque le produit est en mode FREEZER. Après 5 secondes de clignotement de l'icône du mode super, le mode super est sélectionné.

Lorsque le mode super est sélectionné, l'icône du mode super s'allumera et la fenêtre d'affichage affichera -25°C (-13°F).

En mode super, en touchant le bouton "FREEZER", l'icône du mode super clignotera 3 fois, mais la température du congélateur ne peut pas être modifiée.

#### **Pour sortir du mode Super**

- Appuyez sur le bouton "SUPER" pour désélectionner le mode Super,
- Ou après 50 heures de mode Super sans aucune opération, le réfrigérateur s'arrêtera automatiquement et reviendra aux paramètres précédents.

#### **Avertissement :**

En mode super, le bruit de l'appareil peut être légèrement plus élevé que pendant son fonctionnement normal.

### **2.3 ALARME/commutateur °C vers °F:**

Effacer l'alarme d'ouverture de porte et l'alarme de température élevée. Passer de Celsius (°C) à Fahrenheit (°F).

#### **ALARME**

Pour effacer l'alarme d'ouverture de porte et l'alarme de température élevée, appuyez brièvement sur le bouton "ALARM".

#### **Commutateur °C vers °F**

Maintenez le bouton "ALARM" enfoncé pendant 3 secondes pour passer les unités de température entre Celsius (°C) et Fahrenheit (°F).

### **2.4 VERROUILLAGE: Verrouillage et Déverrouillage**

Appuyez sur le bouton "LOCK" pendant 3 secondes pour verrouiller le panneau de commande, puis l'icône de verrouillage et de déverrouillage s'affichera.

En mode verrouillage, touchez n'importe quel bouton, l'icône de verrouillage et de déverrouillage clignotera 3 fois.

Appuyez sur le bouton "LOCK" pendant 3 secondes pour déverrouiller le panneau de commande, puis l'icône de verrouillage et de déverrouillage s'affichera.

En mode déverrouillage, tous les boutons sont disponibles. Si aucune opération n'est effectuée pendant 25 secondes, le panneau de commande se verrouillera automatiquement.

### **3.0 Alarme d'ouverture de porte**

Si la porte reste ouverte pendant 90 secondes, une alarme d'ouverture de porte se déclenche. Fermez la porte pour arrêter l'alarme d'ouverture de porte, ou appuyez brièvement sur le bouton "ALARM" pour effacer l'alarme d'ouverture de porte.

### **4.0 Alarme de température élevée**

Si une température interne élevée de l'appareil est détectée, une alarme de température élevée retentira, "ht" et la température détectée s'affichera alternativement sur la fenêtre d'affichage.

Appuyez sur le bouton "ALARM" pour arrêter l'alarme d'ouverture de porte.

L'affichage de la température élevée disparaîtra automatiquement uniquement si la température détectée revient à la normale.

### **5.0 Modes de fonctionnement**

#### **Mode Boost de Congélation**

Dans ce mode, la température du congélateur est automatiquement réglée à -25°C (-13°F). La température dans le congélateur sera réduite rapidement.

Si vous prévoyez de congeler une grande quantité de nourriture en une seule fois, veuillez sélectionner le mode Boost de Congélation 24 heures à l'avance. Dans ce mode, la température du réfrigérateur reste réglable.

Et l'appareil reviendra automatiquement au mode de fonctionnement précédent après 50 heures.

#### **Alarme d'ouverture de porte**

Si la porte reste ouverte pendant une longue période (> 60 secondes), l'alarme se déclenche automatiquement. Veuillez refermer la porte immédiatement pour économiser de l'énergie.

## CONSERVATION DES ALIMENTS

Lorsque vous stockez des aliments dans votre réfrigérateur ou votre congélateur:

- Laissez les aliments chauds refroidir à température ambiante avant de les stocker. Cela aide à éviter que la température interne ne monte, ce qui peut entraîner une surconsommation d'électricité et la formation de givre.
- Ne surchargez pas les aliments. Laissez plutôt de l'espace entre les articles pour une circulation d'air efficace afin qu'ils puissent être refroidis correctement.
- Pour éviter la contamination croisée, le transfert de saveur et la perte d'humidité, les aliments doivent être emballés ou couverts séparément et placés sur des étagères séparées. Les fruits et légumes n'ont pas besoin d'être emballés.
- Pour éviter que l'air froid ne s'échappe, essayez de limiter le nombre de fois où vous ouvrez les portes. Triez les aliments à conserver dans votre réfrigérateur ou votre congélateur avant d'ouvrir la porte. Ouvrez la porte uniquement pour y mettre des aliments ou en retirer.
- Ne conservez pas les aliments au-delà de la date de péremption ou de la date limite recommandée par le fabricant. ers recommended expiration or best by date.

## CONSERVATION AU RÉFRIGÉRATEUR

Lorsque vous placez des aliments dans votre réfrigérateur :

- Conservez les viandes crues sur une assiette suffisamment grande pour recueillir les jus et couvrez-la de film plastique ou d'aluminium.
- Rangez les viandes cuites sur une étagère au-dessus des viandes crues pour éviter le transfert de bactéries.

## CONGÉLATION DES ALIMENTS

Lorsque vous placez des aliments dans votre congélateur:

- Assurez-vous de choisir les bons contenants ou sacs de stockage:
  - o N'utilisez pas de verre, de film plastique fin ou de récipients alimentaires usagés.
  - o Utilisez des sacs spéciaux pour congélateur, du film plastique pour congélateur, des sacs en plastique, des contenants en plastique ou de l'aluminium pour stocker des aliments acides (comme les agrumes).
  - o Tenez compte de la façon dont vous souhaitez cuisiner vos aliments avant de les congeler. Ne congelez pas les aliments dans des récipients métalliques si vous souhaitez les réchauffer directement depuis le congélateur.
- Éliminez autant d'air que possible du contenant ou du sac. Si vous congélez des liquides, laissez un petit espace d'air pour permettre l'expansion.

Si vous le souhaitez, vous pouvez acheter une pompe à vide qui aspire l'air supplémentaire de l'emballage.

- Refroidissez les aliments dans votre réfrigérateur avant de les congeler, si possible.
- Ne placez pas d'aliments non congelés en contact direct avec des aliments déjà stockés et congelés. N'ajoutez pas trop d'articles non congelés en une seule fois.
- Vous pouvez utiliser l'espace dans le congélateur de manière plus efficace si vous congeler des liquides (ou des solides avec des liquides, comme un ragoût) en blocs carrés. Versez le liquide dans un sac en plastique placé à l'intérieur d'un récipient à côtés carrés. Congelez-le, puis retirez le sac du récipient et fermez-le.

- Ne stockez pas de boissons gazeuses dans le compartiment congélateur.
- Placez les aliments congelés dans le congélateur le plus rapidement possible après l'achat. Si des instructions figurent sur l'emballage, suivez attentivement ces instructions concernant les temps de stockage.
- Si vous placez trop d'aliments dans le congélateur en une seule fois, la capacité de congélation est réduite, ce qui affecte la qualité de vos aliments congelés.
- Si la température interne des aliments congelés augmente pendant la maintenance ou le nettoyage, cela peut réduire la durée de conservation de vos aliments.

## **GESTION DES PANNES DE COURANT**

Si vous perdez de l'électricité ou si votre congélateur s'arrête de fonctionner :

- Après que le congélateur ait été éteint, débranché ou que l'électricité ait été coupée, attendez 3 à 5 minutes avant de le rallumer. Si vous essayez de le rallumer avant ce délai, le réfrigérateur ne démarrera pas.
- Gardez la porte fermée autant que possible. Même en été, les aliments à l'intérieur de votre congélateur peuvent être conservés pendant plusieurs heures.
- Ne placez pas d'aliments supplémentaires dans votre congélateur.
- Placez un récipient étanche contenant de la glace dans le congélateur pour aider à maintenir la température de vos aliments.
- Si une coupure de courant est prévue, abaissez autant que possible les températures de votre congélateur une heure avant que l'électricité ne soit coupée. Ne stockez pas de nouveaux aliments pendant cette période.

## **ÉCONOMIE D'ÉNERGIE**

Suivez ces conseils en matière d'économie d'énergie pour réduire la consommation d'énergie de votre congélateur :

- Installez votre congélateur dans la partie la plus fraîche de la pièce, à l'abri de la lumière directe du soleil et loin des conduits de chauffage ou des grilles d'aération. Ne placez pas votre congélateur à côté d'appareils produisant de la chaleur, tels qu'une cuisinière, un four ou un lave-vaisselle.
- La porte de votre congélateur ne doit rester ouverte que le temps nécessaire. Organisez et étiquetez les aliments pour réduire les ouvertures de porte. Retirez autant d'articles que nécessaire en une seule fois et refermez la porte dès que possible.
- Ne placez pas d'aliments chauds dans votre congélateur. Refroidissez plutôt les aliments à température ambiante avant de les stocker.

## **ENTRETIEN DE VOTRE CONGÉLATEUR**

### **NETTOYAGE ET ENTRETIEN**

- Votre congélateur est doté d'une conception sans givre qui ne nécessite pas de dégivrage manuel.
- Avant de nettoyer l'intérieur, éteignez l'alimentation et retirez tous les aliments, les boissons, les étagères et les tiroirs.
  - o Nettoyez votre congélateur avec des détergents neutres non corrosifs et un chiffon doux ou une éponge trempée dans de l'eau. Ouvrez la porte pour laisser sécher à l'air avant de remettre l'alimentation en marche.
  - o Nettoyez le congélateur avec de l'eau propre et un chiffon sec. Ouvrez la porte pour laisser sécher à l'air avant de remettre l'alimentation en marche.
  - o Nettoyez les plateaux, les étagères et les tiroirs avec des détergents neutres non corrosifs et un chiffon doux. Séchez-les avec un chiffon doux ou laissez-les sécher à l'air libre.

- Essuyez l'extérieur du boîtier avec de l'eau savonneuse ou un détergent et un chiffon doux, puis essuyez-le à sec.
- Vérifiez régulièrement les joints de porte pour vous assurer qu'ils sont propres et exempts de particules alimentaires.
- Assurez-vous que la porte de votre congélateur est correctement fermée pour éviter une consommation d'énergie accrue, ainsi que la formation de glace excessive ou de condensation à l'intérieur.
- L'air froid en circulation constante maintient une température homogène à l'intérieur de votre congélateur. Pour cette raison, il est important de bien répartir les aliments et de ne pas obstruer les bouches d'aération pour faciliter la circulation de l'air.
- Couvrez les aliments et essuyez les contenants à sec avant de les placer dans votre congélateur. Cela réduit l'accumulation d'humidité à l'intérieur de votre congélateur.
- Ne recouvrez pas les étagères d'aluminium, de papier ciré ou d'essuie-tout. Les revêtements interfèrent avec la circulation de l'air froid, ce qui rend votre congélateur moins efficace et peut entraîner une détérioration des aliments.
- Nettoyez avec de l'eau savonneuse ou un détergent dilué et un chiffon doux.
- Nettoyez la poussière et les débris derrière votre congélateur et sur le sol pour améliorer le refroidissement et les économies d'énergie.
- N'utilisez pas de brosses dures, de brosses en fil d'acier, d'abrasifs (comme le dentifrice), de solvants organiques (comme l'alcool, l'acétone ou l'essence de banane), d'eau bouillante, d'acides ou d'articles alcalins pour nettoyer votre congélateur. Ces éléments peuvent endommager la surface et l'intérieur de votre congélateur.

- N'aspirez pas directement avec de l'eau ou d'autres liquides pendant le nettoyage pour éviter les courts-circuits ou les dommages à l'isolation électrique.

## **REPLACEMENT DE LA LUMIÈRE**

- La LED de votre congélateur est conçue pour une longue durée de vie et n'est pas remplaçable par l'utilisateur. Contactez un prestataire de services qualifié pour le remplacement.

## **DÉPLACEMENT DE VOTRE CONGÉLATEUR**

- Avant de déplacer votre congélateur :
  - o Retirez tous les objets de votre congélateur.
  - o Fixez les étagères, les tiroirs et les portes avec du ruban adhésif.
  - o Serrez les pieds de nivellement.
- Après avoir déménagé ou inversé la porte, attendez deux heures avant de mettre votre congélateur en marche. Cela réduit le risque de dysfonctionnement du système de refroidissement dû à la manipulation et au transport.

# SÉCURITÉ ET PRÉCAUTIONS

Nous avons inclus de nombreux messages de sécurité importants dans ce manuel pour votre appareil. Lisez toujours et suivez tous les messages de sécurité.



## AVERTISSEMENT

Surveillez les jeunes enfants pour vous assurer qu'ils ne montent pas à l'intérieur du congélateur.

## ENTRETIEN DE VOTRE CONGÉLATEUR

Votre congélateur doit être entretenu par un technicien qualifié, et seules des pièces de rechange d'origine doivent être utilisées. En aucun cas, vous ne devez essayer de réparer le congélateur vous-même. Les réparations effectuées par des personnes inexpérimentées peuvent causer des blessures ou un dysfonctionnement grave.

**Pour le service sous garantie, appelez ou envoyez un e-mail à l'assistance clientèle de Koolatron. Voir les informations à l'arrière de ce manuel.**

Tous les messages de sécurité vous avertiront des dangers potentiels, vous indiqueront comment réduire le risque de blessure et vous informeront des conséquences possibles si les instructions ne sont pas suivies.

## AVERTISSEMENTS CONCERNANT LE GAZ RÉFRIGÉRANT



### ATTENTION: Risque d'incendie

- DANGER: Risque d'incendie ou d'explosion. Utilisation de gaz réfrigérant inflammable.
- NE PAS utiliser de dispositifs mécaniques pour dégivrer le congélateur. NE PAS percer les tubes du réfrigérant.
- DANGER: Risque d'incendie ou d'explosion. Utilisation de gaz réfrigérant inflammable. À réparer uniquement par du personnel de service formé. NE PAS percer les tubes du réfrigérant.
- ATTENTION: Risque d'incendie ou d'explosion. Utilisation de gaz réfrigérant inflammable. Consultez le manuel de réparation/guide du propriétaire avant de tenter d'entretenir ce produit. Toutes les précautions de sécurité doivent être suivies.
- ATTENTION: Risque d'incendie ou d'explosion. Éliminez la propriété conformément aux réglementations fédérales ou locales. Utilisation de gaz réfrigérant inflammable.

 WARNING	Il s'agit du symbole d'alerte de sécurité. Ce symbole vous avertit des dangers potentiels susceptibles de causer la mort ou des blessures, tant pour vous que pour les autres. Tous les messages de sécurité seront accompagnés du symbole d'alerte de sécurité et des mots "DANGER", "AVERTISSEMENT" ou "ATTENTION".
-------------	---

 DANGER	Danger signifie que le non-respect de cette déclaration de sécurité peut entraîner de graves blessures personnelles ou la mort.
------------	---

 WARNING	Avertissement signifie que le non-respect de cette déclaration de sécurité peut entraîner des dommages importants au produit, de graves blessures personnelles ou la mort.
-------------	--


CAUTION	Attention signifie que le non-respect de cette déclaration de sécurité peut entraîner des blessures personnelles mineures ou modérées, ainsi que des dommages matériels ou à l'équipement.
---------	--

## PRÉPARATION POUR UN STOCKAGE À LONG TERME

Si votre congélateur ne sera pas utilisé pendant plusieurs mois, éteignez-le, débranchez-le, retirez tous les aliments, nettoyez-le/essuyez-le et laissez les portes ouvertes (ou retirez-les) pour éviter les mauvaises odeurs ou la moisissure.

- **ATTENTION:** Risque d'incendie ou d'explosion en cas de perforation du tube du réfrigérant. Suivez attentivement les instructions de manipulation. Utilisation de gaz réfrigérant inflammable.
- **ATTENTION:** Cet appareil n'est pas destiné à être utilisé par des personnes (y compris des enfants) ayant des capacités physiques, sensorielles ou mentales réduites, ou un manque d'expérience et de connaissances, à moins qu'elles n'aient été supervisées ou instruites sur l'utilisation de l'appareil par une personne responsable de leur sécurité. Les enfants doivent être surveillés pour s'assurer qu'ils ne jouent pas avec l'appareil.

## MESURES DE SÉCURITÉ IMPORTANTES

 Avant d'utiliser le congélateur, il doit être correctement positionné et installé comme décrit dans ce manuel, alors lisez attentivement le manuel. Pour réduire le risque d'incendie, de choc électrique ou de blessures lors de l'utilisation du congélateur, suivez les précautions de base, notamment les suivantes:

### **DANGER**

- Branchez l'appareil dans une prise de terre à 3 broches, ne retirez pas la broche de mise à la terre, n'utilisez pas d'adaptateur et ne recourez pas à une rallonge.
- Il est recommandé de prévoir un circuit séparé desservant uniquement votre congélateur. Utilisez des prises qui ne peuvent pas être éteintes par un interrupteur ou une chaîne.
- Ne nettoyez jamais les pièces du congélateur avec des liquides inflammables. Ces vapeurs peuvent créer un risque d'incendie ou d'explosion. Ne stockez pas ni n'utilisez de l'essence ou d'autres vapeurs et liquides inflammables à proximité de cet appareil ou de tout autre appareil. Les vapeurs peuvent créer un risque d'incendie ou d'explosion.
- Avant de procéder aux opérations de nettoyage et d'entretien, assurez-vous que le cordon d'alimentation du congélateur est débranché.
- Ne branchez ni ne débranchez la fiche électrique lorsque vos mains sont mouillées.
- Si le CORDON D'ALIMENTATION est endommagé, il doit être remplacé par le fabricant, son agent de service ou des personnes également qualifiées afin d'éviter un danger.

- Débranchez le congélateur ou coupez l'alimentation avant de le nettoyer ou de le réparer. Ne pas le faire peut entraîner un choc électrique ou la mort.
- N'essayez pas de réparer ou de remplacer une pièce de votre congélateur à moins que cela ne soit spécifiquement recommandé dans ce manuel. Toute autre réparation doit être confiée à un technicien qualifié.



## **AVERTISSEMENT**

SUIVEZ LES AVERTISSEMENTS CI-DESSOUS UNIQUEMENT LORSQU'ILS S'APPLIQUENT À VOTRE MODÈLE:

- Faites appel à deux personnes ou plus pour déplacer et installer votre congélateur. Ne pas le faire peut entraîner des blessures au dos ou à d'autres parties du corps.
- Pour assurer une ventilation adéquate de votre congélateur, l'avant de l'unité doit être complètement dégagé. Choisissez un endroit bien ventilé avec des températures supérieures à 16°C (60°F) et inférieures à 32°C (90°F). Ce congélateur doit être installé dans un endroit protégé des éléments extérieurs, tels que le vent, la pluie, les éclaboussures d'eau ou les gouttes.
- Le congélateur ne doit pas être placé à côté de fours, de grills ou d'autres sources de chaleur élevée.
- Le congélateur doit être installé avec toutes les connexions électriques, d'eau et de vidange conformément aux codes d'État et locaux. Une alimentation électrique standard (115 V CA uniquement, 60 Hz), correctement mise à la terre conformément au Code électrique national et aux codes et règlements locaux, est requise.
- Ne pas plier ou pincer le cordon d'alimentation de votre réfrigérateur.
- La taille du fusible (ou du disjoncteur) doit être de 15 ampères.
- Il est important que le congélateur soit de niveau pour fonctionner correctement. Vous devrez peut-être effectuer plusieurs ajustements pour le mettre de niveau.

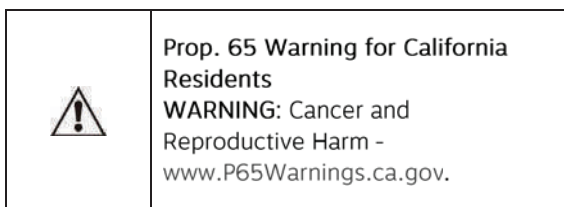
- Assurez-vous que les tuyaux ne sont pas pincés, pliés ou endommagés lors de l'installation.
- Vérifiez les fuites après la connexion.
- Ne laissez jamais les enfants faire fonctionner, jouer avec ou se faufiler à l'intérieur du congélateur.
- Si vous utilisez le récipient de drainage, vous devez débrancher le congélateur ou l'eau peut déborder du récipient de drainage.
- Bien que l'unité ait été testée en usine, en raison du transport et du stockage à long terme, le premier lot de glaçons doit être jeté.
- N'utilisez pas de produits de nettoyage à base de solvants ou d'abrasifs à l'intérieur. Ces nettoyeurs peuvent endommager ou décolorer l'intérieur.
- N'utilisez pas ce congélateur à d'autres fins que celles pour lesquelles il est destiné.
- N'utilisez pas d'appareils électriques à l'intérieur des compartiments de stockage des aliments de l'appareil, sauf s'ils sont du type recommandé par le fabricant.

## INSTRUCTIONS DE SÉCURITÉ IMPORTANTES

### AVERTISSEMENT

Pour réduire les risques d'incendie, de choc électrique ou de blessure lors de l'utilisation de votre congélateur-réfrigérateur, suivez ces précautions de base:

- Lisez toutes les instructions avant d'utiliser le congélateur.
- **DANGER** ou **AVERTISSEMENT** : Risque de capture d'enfant. La capture d'enfants et l'asphyxie ne sont pas des problèmes du passé. Les congélateurs abandonnés ou mis au rebut restent dangereux, même s'ils restent "juste dans le garage quelques jours".
- Avant de jeter votre vieux réfrigérateur : Enlevez les portes. Laissez les étagères en place pour que les enfants ne puissent pas facilement grimper à l'intérieur.
- Ne laissez jamais les enfants faire fonctionner, jouer avec ou se faufiler à l'intérieur du congélateur.
- N'utilisez jamais de liquides inflammables pour nettoyer les pièces du congélateur. Les vapeurs peuvent créer un risque d'incendie ou d'explosion.
- Ne stockez pas et n'utilisez pas d'essence ou d'autres vapeurs et liquides inflammables à proximité de ce congélateur ou de tout autre congélateur. Les vapeurs peuvent créer un risque d'incendie ou d'explosion.



## CONSERVEZ CES INSTRUCTIONS

CET APPAREIL EST DESTINÉ À UN USAGE DOMESTIQUE UNIQUEMENT

## SPÉCIFICATIONS

- Unit Dimensions ( H x L x P ) :  
189,5 x 84 x 78,3 cm
- Poids net : 82 kg
- Poids brut : 91 kg
- Capacité : 0,6m<sup>3</sup>
- Tension nominale : 115 V
- Fréquence nominale : 60 Hz

## DÉPANNAGE

Si votre congélateur rencontre des problèmes, consultez ce tableau avant de faire appel à un service technique.

PROBLÈME	SOLUTION
Ne s'allume pas	<ul style="list-style-type: none"><li>• Assurez-vous que votre congélateur est correctement connecté à une prise de courant en état de fonctionnement.</li><li>• Vérifiez si l'électricité est coupée ou si un disjoncteur s'est déclenché.</li><li>• Assurez-vous que la prise de courant utilise la tension correcte (115 V).</li></ul>
Mauvaise odeur	<ul style="list-style-type: none"><li>• Assurez-vous que les aliments sont bien emballés.</li><li>• Vérifiez qu'il n'y a pas d'aliments pourris dans votre congélateur.</li><li>• Nettoyez l'intérieur de votre congélateur.</li></ul>
Le compresseur fonctionne pendant une longue période ou s'allume et s'éteint fréquemment	<ul style="list-style-type: none"><li>• Le fonctionnement prolongé du compresseur est normal en été lorsque la température ambiante est élevée.</li><li>• Assurez-vous que votre congélateur n'est pas surchargé avec trop de nourriture. Gardez les articles séparés pour favoriser une meilleure circulation de l'air.</li><li>• Vérifiez que votre congélateur a les espaces nécessaires pour la circulation de l'air. Consultez la section "Positionnement de votre congélateur" à la page 2 pour plus d'informations.</li><li>• Refroidissez les aliments à température ambiante avant de les placer dans votre congélateur.</li><li>• Les portes sont ouvertes trop fréquemment. Gardez la porte fermée.</li><li>• Ajustez la température de votre congélateur ou des compartiments de congélation.</li></ul>
La lumière ne fonctionne pas	<ul style="list-style-type: none"><li>• Assurez-vous que votre congélateur est allumé et en marche.</li><li>• Si la lumière est grillée ou endommagée, faites-la remplacer par un prestataire de service qualifié.</li><li>• Déplacez les articles qui empêchent la fermeture de la porte.</li></ul>
Les portes ne se ferment pas correctement	<ul style="list-style-type: none"><li>• Assurez-vous que votre congélateur est sur une surface dure et plane et ajustez les pieds de nivellement.</li><li>• Nettoyez les joints de porte et vérifiez s'ils sont endommagés.</li></ul>
Bruit fort	<ul style="list-style-type: none"><li>• Assurez-vous que le sol et le congélateur sont de niveau et stables.</li><li>• Assurez-vous que les accessoires sont placés à leurs emplacements appropriés.</li></ul>

PROBLÈME	SOLUTION
Joint de porte qui ne colle pas	<ul style="list-style-type: none"> <li>• Nettoyez les joints de porte.</li> <li>• Chauffez le joint de porte (soufflez-le avec un sèche-cheveux ou utilisez une serviette chaude) puis refroidissez-le pour rétablir l'étanchéité.</li> </ul>
Débordement du bac à eau	<ul style="list-style-type: none"> <li>• Il y a trop de nourriture dans la chambre ou la nourriture stockée contient trop d'eau, ce qui provoque un dégivrage important. Retirez l'excès de nourriture.</li> <li>• Les portes ne sont pas correctement fermées, ce qui entraîne une augmentation de l'eau due au dégivrage. Déplacez les objets bloquant la porte ou vérifiez le joint de porte.</li> </ul>
Boîtier chaud	<ul style="list-style-type: none"> <li>• Il est normal que la chaleur du condenseur intégré se dissipe à travers le boîtier. Si le boîtier devient trop chaud en raison d'une température ambiante élevée, d'un stockage excessif de nourriture ou de l'arrêt du compresseur, assurez-vous d'avoir une bonne ventilation pour aider à dissiper la chaleur.</li> </ul>
Condensation en surface	<ul style="list-style-type: none"> <li>• La condensation à l'extérieur de votre congélateur et sur les joints de porte est normale lorsque l'humidité ambiante est trop élevée. Il suffit d'essuyer la condensation avec une serviette propre.</li> </ul>
Bruit anormal	<ul style="list-style-type: none"> <li>• Le compresseur peut produire des bourdonnements pendant son fonctionnement, et ces bourdonnements sont particulièrement forts au démarrage ou à l'arrêt. Cela est normal.</li> <li>• Le fluide réfrigérant circulant à l'intérieur de l'appareil peut produire des craquements, ce qui est normal.</li> <li>• Assurez-vous que votre congélateur est de niveau.</li> </ul>

# AVIS JURIDIQUES

## ÉLIMINATION

Les anciennes unités ont encore une certaine valeur résiduelle. Une méthode d'élimination respectueuse de l'environnement garantira que des matières premières précieuses peuvent être récupérées et réutilisées. Le réfrigérant utilisé dans votre unité et les matériaux d'isolation nécessitent des procédures spéciales d'élimination. Assurez-vous que aucun des tuyaux à l'arrière de l'unité n'est endommagé avant l'élimination. Les informations les plus récentes sur les options d'élimination de votre ancienne unité et d'emballage de la nouvelle peuvent être obtenues auprès de la mairie de votre localité.

Lorsque vous éliminez une ancienne unité, cassez tout ancien verrou ou loquet et retirez la porte comme mesure de sécurité.

## ÉLIMINATION CORRECTE DE CE PRODUIT

Les vieux appareils ont encore une certaine valeur résiduelle. Une méthode d'élimination respectueuse de l'environnement garantira que des matières premières précieuses peuvent être récupérées et réutilisées.



Cette marque indique que ce produit ne doit pas être jeté avec d'autres déchets ménagers aux États-Unis. Afin d'éviter tout risque de préjudice éventuel pour l'environnement ou la santé humaine résultant d'une élimination des déchets non contrôlée, recyclez-le de manière responsable pour promouvoir la réutilisation durable des ressources matérielles.

Pour retourner votre appareil usagé, veuillez utiliser les systèmes de retour et de collecte ou contacter le détaillant où le produit a été acheté. Ils peuvent prendre en charge ce produit pour un recyclage respectueux de l'environnement.

# GARANTIE

**2** Ans  
Garantie limitée

PENDANT DEUX ANS à compter de la date d'achat d'origine ce produit Kenmore sera exempt de défauts de matériaux ou de fabrication.

Un produit défectueux sera réparé ou remplacé gratuitement, AVEC PREUVE DE VENTE.

Le nom de marque Kenmore est utilisé sous licence. Adressez toutes les demandes de service de garantie à Service à la clientèle du Koolatron, au 1-800-265-8456 ou en envoyant un courriel à [service@koolatron.com](mailto:service@koolatron.com)

La présente garantie couvre les défauts de fabrication, y compris les défauts électriques et mécaniques, à condition que l'appareil soit correctement assemblé, utilisé et entretenu conformément aux instructions fournies. La présente garantie ne couvre pas les dommages causés par un accident, une mauvaise utilisation ou un abus, y compris la surchauffe, les réparations ou modifications non autorisées, ou l'utilisation avec un convertisseur de tension ou des accessoires de rechange, et elle ne s'applique pas aux rayures, taches, décoloration ou autres dommages de surface qui n'affectent pas le fonctionnement du produit. La présente garantie est nulle si l'appareil est utilisé à des fins autres que l'usage domestique privé.

Koolatron Corporation  
4320 Federal Drive, Batavia, NY 14020 U.S.A.  
139 Copernicus Blvd., Brantford, ON N3P1N4 Canada

Kenmore et le logo Kenmore sont des marques déposées  
de Transform SR Brands Management LLC et sont utilisées  
sous licence par Koolatron Corporation

H1S399  
03/2024-v2