

Kenmore^{®/MD}



Convertible Upright Freezer/Fridge



Customer Assistance
1-800-265-8456
www.koolatron.com

KKUF07
Use & Care Guide

CONTENTS

SAFETY INSTRUCTIONS-----	02
PRODUCT OVERVIEW -----	08
PRODUCT INSTALLATION-----	09
OPERATION INSTRUCTIONS-----	15
CLEANING AND MAINTENANCE-----	16
TROUBLESHOOTING -----	17

SAFETY INSTRUCTIONS

Intended use

Before switching on the appliance for the first time read the following safety hints!

This appliance is intended to be used in household and similar applications such as staff kitchen areas in shops, offices and other working environments; farm houses and by clients in hotels, motels and other residential type environments; bed and breakfast type environments; catering and similar non-retail applications.

If the appliance is used commercially or for purposes other than cooling food, please note that the manufacturer cannot accept any liability for any damage.

Modifications or alterations to the unit are not permitted for safety reasons.

Explanation of symbols



Danger

This symbol indicates that there are dangers to the life and health of persons due to extremely flammable gas.



Warning of electrical voltage

This symbol indicates that there is a danger to life and health of persons due to voltage.



Warning

The signal word indicates a hazard with a medium level of risk which, if not avoided, may result in death or serious injury.



Caution

The signal word indicates a hazard with a low degree of risk which, if not avoided, may result in minor or moderate injury.



Attention

The signal word indicates important information (e.g. damage to property), but not danger.



Observe instructions

This symbol indicates that a service technician should only operate and maintain this appliance in accordance with the operating instructions.

Read these operating instructions carefully and attentively before using/ commissioning the unit and keep them in the immediate vicinity of the installation site or unit for later use!



WARNING

Risk of fire / Flammable material

- **DANGER** Risk of fire or explosion. Flammable refrigerant used. Do not use mechanical devices to defrost refrigerator. Do not puncture refrigerant tubing.
- **DANGER** Risk of fire or explosion. Flammable refrigerant used. To be repaired only by trained service personnel. Use only manufacturer authorized service parts. Any repair equipment used must be designed for flammable refrigerants. Follow all manufacturer repair instructions. Do not puncture refrigerant tubing.



CAUTION

- **CAUTION** Risk of fire or explosion. Dispose of refrigerator properly in accordance with the applicable federal or local regulations. Flammable refrigerant used.
- **CAUTION** Risk of fire or explosion due to puncture of refrigerant tubing. Follow handling instructions carefully. Flammable refrigerant used.



WARNING General safety

- Install in accordance with the manufacturer's instructions.
- This product should not be recessed or built-in an enclosed cabinet. It is designed for freestanding installation only.
- **WARNING** - Keep ventilation openings, in the product, clear of obstruction.
- Do not install near any heat sources, such as radiators, heat registers, stoves, other cooking appliances or in direct sunlight.
- Do not store or use gasoline or any flammable liquids inside or in the vicinity of this refrigerator.
- Do not store explosive substances such as aerosol cans with a flammable propellant in this appliance.
- Do not use electrical appliances inside the food storage compartments of the appliance, unless they are of the type recommended by the manufacturer.
- Do not use mechanical devices or other means to accelerate the defrosting process, other than those recommended by the manufacturer.
- This appliance is not intended for use by persons (including children) with reduced physical, sensory or mental capabilities, or lack of experience and knowledge, unless they have been given supervision or instruction concerning use of the appliance by a person responsible for their safety.



WARNING Electrical safety

Incorrect electrical installation or excessive mains voltage can lead to electric shocks!

- Only connect your fridge-freezer to a properly installed earthed socket if the mains voltage of the socket corresponds to the specification on the rating label*.
- Do not use extension cords or ungrounded (two-pin) adapters.
- Make sure that all electrical cables outside the appliance are protected from damage (e.g. by animals or sharp edges).
- Do not locate multiple portable socket outlets or portable power supplies at the rear of the appliance.
- Improper power supply may result in fire or electric shocks.
- Avoid electrical overload. Disconnect the mains plug from the mains socket before carrying out care, maintenance and repair work on the unit.
- Switch off the unit and disconnect the mains plug from the mains socket when you are not using the unit.
- If the supply cord is damaged, it must be replaced by the manufacturer, its service agent or similarly qualified persons in order to avoid a hazard.
- If the products are equipped with LEDs, do not remove the lighting cover and LED yourself. Any replacement or maintenance of the LED lamps is intended to be made by the manufacturer, its service agent or similar qualified person.

This product is not recommended for use with sockets or main switch with the A/GFCI function, otherwise it may cause false tripping.

1. It's not pose a safety risk when tripped.

2. If tripping persists, it is recommended to replace the sockets or main switch without a/gfci function.



WARNING Child Safety

- Children should be supervised to ensure that they do not play with the appliance.
- Destroy carton, plastic bags, and any exterior wrapping material immediately after the product is unpacked.
- Children should never use these items to play. Cartons covered with rugs, bedspreads, plastic sheets or stretch wrap may become airtight chambers, and can quickly cause suffocation.
- Remove all staples from the carton. Staples can cause severe cuts, and destroy finishes if they come in contact with other appliances or furniture.

Risk of child entrapment. Before you throw away your old refrigerator or freezer:

- Take off the doors.
- Leave the shelves in place so that children may not easily climb inside.



CAUTION Risk of injury and damage!

- Never put frozen food in your mouth immediately after taking it out of the freezer.
- Avoid prolonged skin contact with frozen food, ice and the pipes in the freezer compartment.
- Do not store explosive substances such as aerosol cans with a flammable propellant in this appliance. Also do not place flammable products near the product.
- Do not store beer, drinks or other liquids in bottles or tightly closed containers in the freezer compartment!



WARNING

State of California Proposition 65 Warnings:

- This product can expose you to chemicals including lead, which is known to the State of California to cause cancer, and bisphenol A (BPA) and lead which are known to the state of California to cause birth defects or other reproductive harm. For more information go to www.P65Warnings.ca.gov.



CAUTION

To avoid contamination of food, please respect the following instructions:

- Opening the door for long periods can cause a significant increase of the temperature in the compartments of the appliance.
- Clean regularly surfaces that can come in contact with food and accessible drainage systems.
- Clean water tanks if they have not been used for 48h; flush the water system connected to a water supply if water has not been drawn for 5 days. (Note1)(*)
- **WARNING:** Fill with potable water only.(*)
- **WARNING:** Connect to potable water supply only. (Suitable for ice making machine)(*)

ATTENTION

(*): This feature varies depending on the model purchased. Please confirm whether it is applicable according to your product.

Before The First Use

The packaging must be undamaged. Check the device for transport damage. Do not connect a damaged device under any circumstances. In case of damage, please contact the supplier.

Remove transport cover

The unit and parts of the interior are protected for transport. You can remove all adhesive tapes on the right and left side of the device door as well as any adhesive residues with cleaning solvent. Remove all adhesive tapes and packaging parts from the interior of the device as well.

After transport, the device should stand for 12 hours to allow the coolant to collect in the compressor. Non-observance could damage the compressor and thus lead to failure of the device.



CAUTION Risk of damage!

Set up device

- The ambient temperature affects the power consumption and proper functioning of the device. Therefore, the device should be placed in a well-ventilated and dry room with an ambient temperature corresponding to the climate class for which the device is designed.
- Do not place the device outdoors (e.g. balcony, terrace, garden shed, etc.).

Do not use sharp knives or pointed objects when opening the device. Please observe the notes when setting up: “Tips for energy saving“

Remove the device doors

- If the unit does not fit through the apartment door, the unit doors can be unscrewed.

ATTENTION

The unscrewing of the unit doors may only be carried out by the customer service.



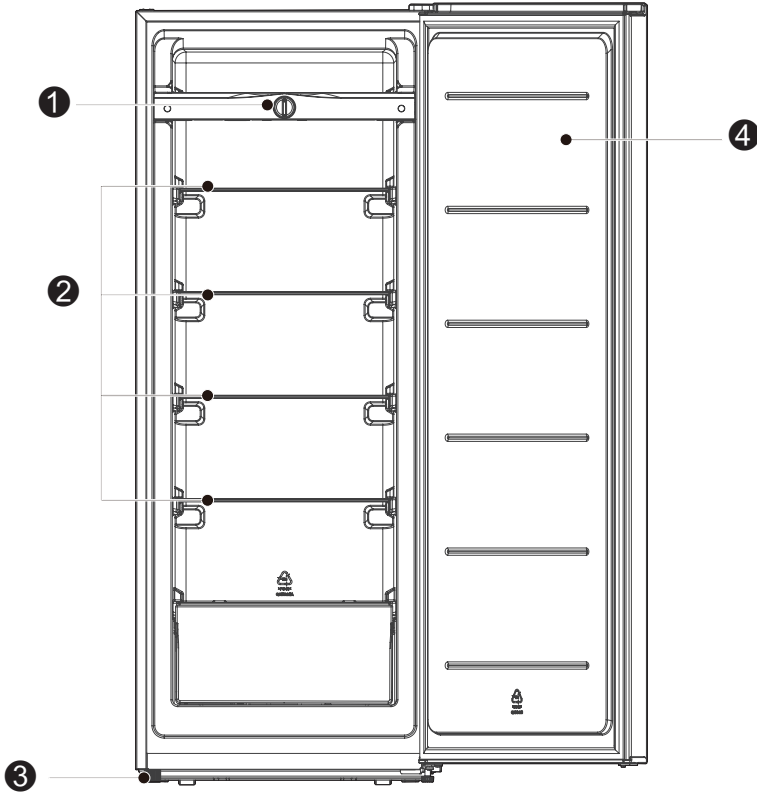
CAUTION Notes For Cleaning

Disconnect the appliance from the power supply before cleaning.

- Dust behind the product and on the floor must be cleaned to improve the cooling effect and energy saving.
- Check the door gasket regularly to make sure there is no debris. Clean the door gasket with a soft cloth dampened with soapy water or diluted detergent.
- The interior of the product should be cleaned regularly to avoid odors.
- Please turn off the power before cleaning the interior, remove all foods, drinks, shelves, drawers, etc.
- Use a soft cloth or sponge to clean the inside of the product, with two tablespoons of baking soda and a quart of warm water. Then rinse with water and wipe clean. After cleaning, open the door and let it dry naturally before turning on the power.
- For areas that are difficult to clean inside the product (such as narrow places, gaps or corners), we recommend to wipe them regularly with a soft rag, soft brush, etc. and when necessary, with some tools (such as thin sticks) to ensure no contaminants or bacterial accumulation in these areas.
- Do not use soap, detergent, scrub powder, spray cleaner, etc., as these may cause odors inside the product or contaminate food.
- Clean the door tray, shelves and drawers with a soft cloth dampened with soapy water or diluted detergent. Dry with a soft cloth or dry naturally.
- Wipe the outer surface of the product with a soft cloth dampened with soapy water, detergent, etc., and then wipe dry.
- Do not use hard brushes, scouring pads, wire brushes, abrasives (such as toothpaste), organic solvents (such as alcohol, acetone, banana oil, etc.), boiling water, acid or alkaline items, which may damage the fridge surface and interior. Boiling water and organic solvents such as benzene may deform or damage plastic parts.
- Do not rinse directly with water or other liquids during cleaning to avoid short circuit or affect electrical insulation after immersion.

PRODUCT OVERVIEW

Names of components



- 1 Thermostat knob
- 3 Levelling foot

- 2 Glass shelf
- 4 Door

● ATTENTION

The picture above is only for reference. The actual configuration will depend on the physical product or statement by the distributor

PRODUCT INSTALLATION

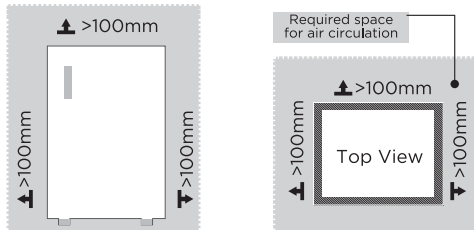
Install Instruction

Finding a suitable location

- This freezer is designed to be free standing only, and should not be recessed or built-in.
- The freezer should be placed in a well-ventilated indoor place; the ground shall be flat and sturdy .
- Keep away from heat and avoid direct sunlight. Do not place the freezer in moist or watery places to prevent rust or reduction of insulating effect.

Dimensions and Clearances

- Too small of a distance from adjacent items may result in the degradation of freezing capability and increased electricity costs. Allow over 100 mm of clearance from each adjacent wall when installing the appliance.



Providing a proper power supply

- Check your local power source. This freezer requires a **AC115 V, 60 Hz** power supply.
- Use a receptacle that accepts the grounding prong. The power cord is equipped with a 3-prong (grounding) plug which mates with a standard 3-prong (grounding) wall outlet to minimize the possibility of electric shock hazard from this freezer.

CAUTION

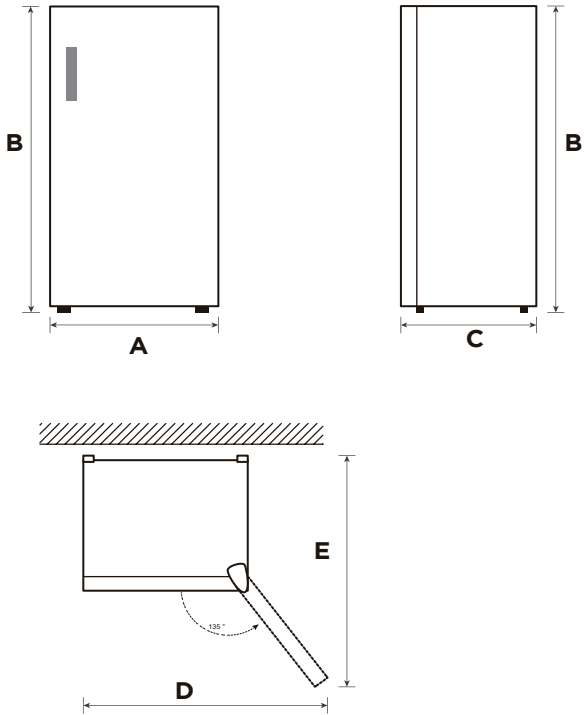
The freezer should always be plugged into its own individual electrical outlet which has a voltage rating that matches the rating plate.

Never unplug your freezer by pulling on the power cord. Always grip the plug firmly and pull straight out from the outlet.

Start to use

- The freezer shall stay in an upright position for half an hour before connecting power when it is firstly started.
- The freezer shall run 2 to 3 hours before loading fresh or frozen foods; the freezer shall run for more than 4 hours in summer in advance considering that the ambient temperature is high.

Space requirement diagram (when the door is open and when the door is closed)



Width	Overall Height	Depth	Depth doors open 135°	Width doors open 135°
A	B	C	D	E
550	1430	570	930	940

Notice: All dimensions in mm

Door right-left change (optional)

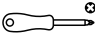


Based on the location where you plan to use your refrigerator, you may find it more convenient to reverse the position of the door.



CAUTION

CAUTION: To avoid injury to yourself or your property, we recommend that someone assist you during the door reversal process.

List of tools to be provided by the user

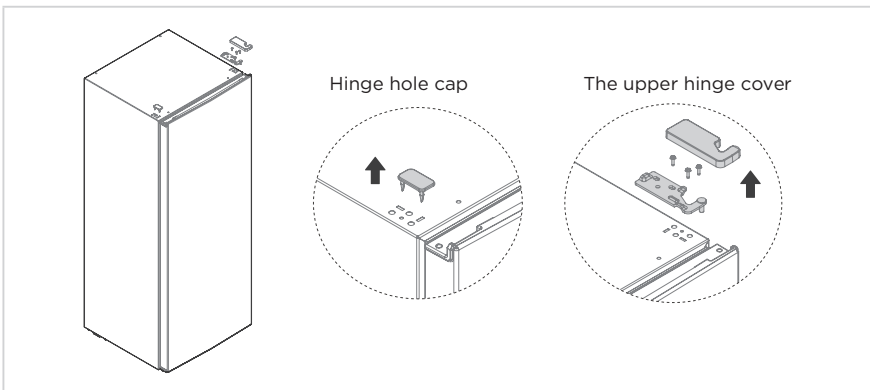
	Cross screwdriver
	Thin-blade screwdriver
	Masking tape

Parts to be used for door reverse

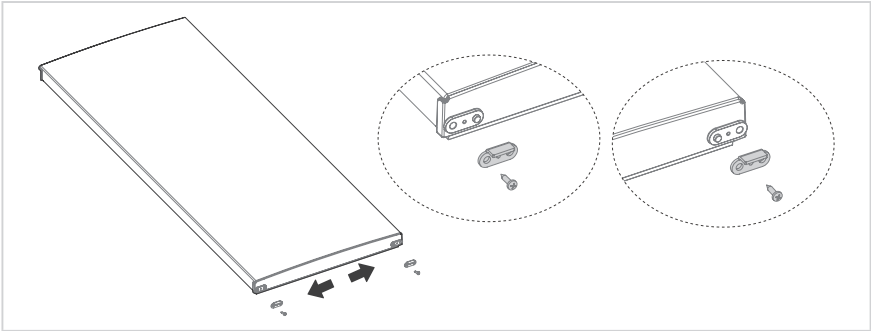
SN	PART	amount	note
1	Right upper hinge	1	Pre-installed on the refrigerator, removed when the door is reversed, and kept for future use
2	Upper right hinge cover	1	
3	Hole cover	1	
4	Stopper	1	Pre-installed on the refrigerator, still used when door is reversed
5	Stopper Lower hinge	1	
6	Leveling foot	1	
7	Left upper hinge	1	In the attached plastic bag, take them out for use when door is reversed
8	Upper left hinge cover	1	

STEP

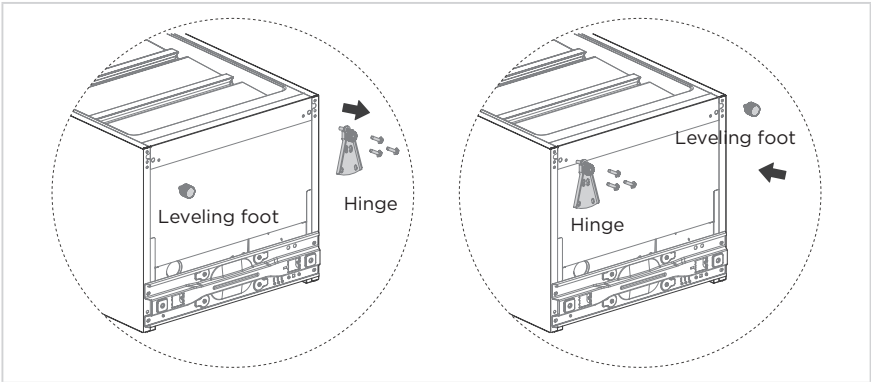
1. Remove all food from door shelves. Fix the door by tapes.
2. Dismantle hinge hole cap, the upper right hinge cover, fitting screws of upper right hinge, and remove the upper right hinge, please keep the door vertical in whole process for avoiding falling down;



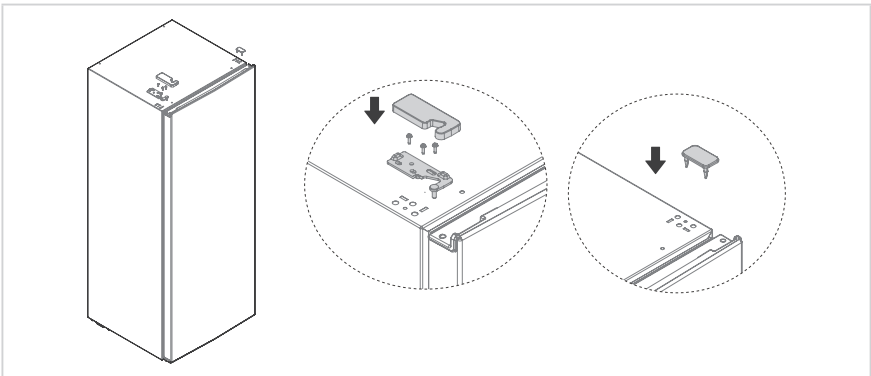
3. Remove the door;
4. Dismantle the door stopper, and install it on other side;



5. Dismantle the lower hinge and leveling foot;
6. Install the lower hinge and leveling foot on lower left side of cabinet;



7. Put the door on lower hinge vertically, and validate the gas tightness of door gasket, take out the spare upper left hinge and hinge cover from accessory bag, then install the upper left hinge by fitting screws. finally to install the hinge cover , and cover the hinge hole cap on upper right side.





Leveling feet

To avoid vibration, the unit must be leveled.

If required, adjust the leveling screws to compensate for the uneven floor.

The front should be slightly higher than the rear to aid in door closing.

Leveling screws can be turned easily by tipping the cabinet slightly.

Turn the leveling screws counterclockwise  to raise the unit, clockwise  to lower it.

Moving the appliance

1. Remove all food from inside the appliance.
2. Pull the power plug out, insert and fix it into the power plug hook at the rear or on top of the appliance.
3. Tape parts such as shelves and the door handle to prevent from falling off while moving the appliance.
4. Move the appliance with more than two people carefully. When transporting the appliance over a long distance, keep the appliance upright.
5. After installing the appliance, connect the power plug into a socket out to switch on the appliance.

ATTENTION

Precautions before operation:

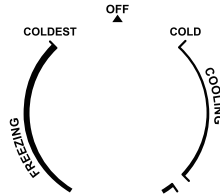
Before making changes the refrigerator must be disconnected from power.
precautions should be taken to prevent any personal injury.

Tips for energy saving

- Do not place the appliance near cookers, radiators or other heat sources. If the ambient temperature is high, the compressor will run more frequently and for longer, resulting in increased energy consumption.
- Ensure that there is sufficient ventilation at the base of the appliance, on the sides of the appliance and at the back of the appliance. Never cover ventilation openings.
- Please also observe the spacing dimensions in the chapter „Installation“.
- The arrangement of drawers, shelves and racks as shown in the illustration offers the most efficient use of energy and should therefore be retained as far as possible. All drawers and shelves should remain in the appliance to keep the temperature stable and save energy.
- To obtain a larger storage space (e.g. for large refrigerated/frozen goods), the middle drawers can be removed. The top and bottom drawers and shelves should be removed last if necessary.
- An evenly filled refrigerator/freezer compartment contributes to optimal energy use. Therefore, avoid empty or half-empty compartments.
- Allow warm food to cool before placing it in the refrigerator/freezer. Food that has already cooled down increases energy efficiency.
- Allow frozen food to defrost in the refrigerator. The coldness of the frozen food reduces the energy consumption in the refrigerator compartment and thus increases the energy efficiency.
- Open the door only as briefly as necessary to minimise cold loss. Opening the door briefly and closing it properly reduces energy consumption.
- The door seals of your appliance must be perfectly intact so that the doors close properly and energy consumption is not increased unnecessarily.

OPERATION INSTRUCTIONS

Control Panel



- After the upright freezer is powered on, when the temperature control knob rotates clockwise, the temperature in the freezer will gradually decrease, and when it rotates counterclockwise, the temperature will gradually increase; when knob is adjusted within the scope of “COOLING”, the box is refrigerator, when knob is adjusted within the scope of “FREEZING”, the box is frozen.
- “OFF” file indicates stop.
- When selecting the refrigeration function, it is recommended that the temperature control knob be set in the middle of the refrigeration icon area. During refrigeration, there may be water drops on the inner wall of the liner, which is normal and the refrigerator can be used normally.

ATTENTION

The actual control panel may differ from model to model.

Tips on storing food

- The low temperature of upright freezer may keep food fresh for a long time and it is mainly used to store frozen foods and making ice.
- The upright freezer is suitable for storage of meat, fish, shrimp, dumplings, rice balls and other foods not to be consumed in short term.
- Chunks of meat are preferably to be divided into small pieces for easy access. Please be noted food shall be consumed within the shelf time.

When the machine is in freezing mode, please cut off the power in time and defrost it manually under the following two conditions. Defrosting water shall be treated outside the cabinet, and the space inside shall be cleaned.

1. When the machine is in freezing mode for a long time, the inner wall of the cabinet will frost, and the frost will thicken with time, which will affect its cooling effect. In this case, please cut off the power in time for manual defrosting, clean the inner wall and then power on to continue using the machine.
2. When the freezing mode is switched to the refrigeration mode, the temperature inside the cabinet will rise. In order to avoid a large amount of defrosting water flowing out of the box and damaging the floor and other items, please cut off the power for manual defrosting before putting food in.

CLEANING AND MAINTENANCE

Defrosting

Upright freezer shall be manually defrosted.

Disconnect the plug from the wall socket, open the door and remove all the food to a cool place.

It is recommended to remove the frost by a plastic scraper, or let the temperature rise naturally until the frost melts. Then wipe away the remaining ice and water, and plug in socket for switching on the freezer.

ATTENTION

Soft towels or sponge dipped in water and non-corrosive neutral detergents are suggested for cleaning. The freezer shall be finally cleaned with clean water and dry cloth. Open the door for natural drying before the power is turned on. Do not use hard brushes, clean steel balls, wire brushes, abrasives, such as toothpastes, organic solvents (such as alcohol, acetone, banana oil, etc.), boiling water, acid or alkaline items clean refrigerator considering that this may damage the fridge surface and interior.

CAUTION

Other mechanical devices or other means shall not be used to accelerate except those recommended by the manufacturer. Do not damage the refrigerant circuit.

Stop using

Power failure:

In case of power failure, even if it is in summer, foods inside the appliance can be kept for several hours; during the power failure, the times of door opening shall be reduced, and no more fresh food shall be put into the appliance.

Long-time nonuse:

The appliance shall be unplugged and then cleaned; then the doors are left open to prevent odor.

Moving:

Before the refrigerator is moved, take all objects inside out, fix the glass partitions, vegetable holder, freezing chamber drawers and etc. with tape, and tighten the leveling feet; close the doors and seal them with tape. During moving, the appliance shall not be laid upside down or horizontally, or be vibrated; the inclination during movement shall be no more than 45°.

ATTENTION

The appliance shall run continuously once it is started. Generally, the operation of the appliance shall not be interrupted; otherwise the service life may be impaired.

Foods can be preserved for a couple of hours even in summer in case of power failure; it is recommended to reduce the frequency of opening door.

TROUBLESHOOTING

The following simple issues can be handled by the user. Please call the after-sale service department if the issues are not solved.

Problem	Possible reason
Failed operation	<ul style="list-style-type: none"> • Check whether the appliance is connected to power or whether the plug is in well contact
	<ul style="list-style-type: none"> • Check whether the voltage is too low
	<ul style="list-style-type: none"> • Check whether there is a power failure or partial circuits have tripped
Odor	<ul style="list-style-type: none"> • Odorous foods shall be tightly wrapped
	<ul style="list-style-type: none"> • Check whether there is any rotten food
	<ul style="list-style-type: none"> • Clean the inside of the refrigerator
Long-time operation of the compressor	<ul style="list-style-type: none"> • Long operation of the refrigerator is normal in summer
	<ul style="list-style-type: none"> • when the ambient temperature is high It is not suggestible having too much food in the appliance at the same time
	<ul style="list-style-type: none"> • Food shall get cool before being put into the appliance
	<ul style="list-style-type: none"> • The doors are opened too frequently
Light fails to get lit	<ul style="list-style-type: none"> • Check whether the refrigerator is connected to power supply and whether the illuminating light is damaged
	<ul style="list-style-type: none"> • Have the light replaced by a specialist
Door can not be properly closed	<ul style="list-style-type: none"> • The door is stuck by food packages Too much food is placed
	<ul style="list-style-type: none"> • The upright freezer is not placed properly.
Loud noises	<ul style="list-style-type: none"> • Check whether the floor is level and whether the refrigerator is placed stably
	<ul style="list-style-type: none"> • Check whether accessories are placed at proper locations

Problem	Possible reason
Door seal fails to be tight	<ul style="list-style-type: none"> • Remove foreign matters on the door seal
	<ul style="list-style-type: none"> • Heat the door seal and then cool it for restoration (or blow it with an electrical drier or use a hot towel for heating)
Water pan overflows	<ul style="list-style-type: none"> • There is too much food in the chamber or food stored contains too much water,resulting in heavy defrosting
	<ul style="list-style-type: none"> • The doors are not closed properly, resulting in frosting due to entry of air and increased water due to defrosting
Hot housing	<ul style="list-style-type: none"> • Heat dissipation of the built-in condenser via the housing, which is normal When housing becomes hot due to high ambient temperature, storage of too much food or shutdown of the compressor is shut down, provide sound ventilation to facilitate heat dissipation
Surface condensation	<ul style="list-style-type: none"> • Condensation on the exterior surface and door seals of the refrigerator is normal when the ambient humidity is too high. Just wipe the condensate with a clean towel.
Abnormal noise	<ul style="list-style-type: none"> • Buzz: The compressor may produce buzzes during operation, and the buzzes are loud particularly upon start or stop. This is normal.
	<ul style="list-style-type: none"> • Creak: Refrigerant flowing inside of the appliance may produce creak, which is normal.

WARRANTY

2 Year Limited Warranty

FOR TWO YEARS from the date of sale this product is warranted against defects in material or workmanship.

WITH PROOF OF SALE a defective product will be repaired or replaced free of charge.

The Kenmore brand is used under license. Direct all claims for warranty service to Koolatron Customer Assistance, call 1-800-265-8456 or email service@koolatron.com

This warranty covers manufacturer's defects including electrical and mechanical defects provided the appliance is correctly assembled, operated and maintained according to the supplied instructions. It does not cover damage caused by accident, misuse or abuse including overheating, unauthorized repairs or alterations, or use with a voltage converter or aftermarket accessories, and it does not apply to scratches, stains, discoloration or other surface damage that does not impair the product function. This warranty is void if the appliance is ever used for purposes other than private household use.

Koolatron Corporation
4320 Federal Drive, Batavia, NY 14020 U.S.A.
139 Copernicus Blvd., Brantford, ON N3P1N4 Canada

Kenmore and the Kenmore logo are registered trademarks
to Transform SR Brands Management LLC
and are used under license by Koolatron Corporation

H1S395
03/2024-v2

Kenmore^{®/MD}



Congélateur/réfrigérateur vertical convertible



Service à la clientèle
1-800-265-8456
www.koolatron.com

KKUF07
Guide d'utilisation et d'entretien

SOMMAIRE

MESURES DE SÉCURITÉ	02
PRÉSENTATION DU PRODUIT	08
INSTALLATION DU PRODUIT	09
MODE D'EMPLOI.....	15
NETTOYAGE ET ENTRETIEN	16
DÉPANNAGE.....	17

MESURES DE SÉCURITÉ

Usage prévu

Lisez les consignes de sécurité suivantes, avant d'allumer l'appareil pour la première fois !

Cet appareil est conçu pour un usage domestique et autres applications similaires, telles que dans les cuisines des magasins, bureaux et d'autres environnements de travail : maisons de ferme et par les clients d'hôtels, motels et d'autres types de résidences : chambres d'hôtes ; restaurants et d'autres lieux similaires. Le fabricant décline toute responsabilité en cas de dommage, si vous utilisez l'appareil à des fins commerciales ou à des fins autres que le refroidissement des aliments. Toute modification ou altération de l'appareil n'est pas autorisée pour des raisons de sécurité.

Explication des symboles



Danger

Ce symbole indique qu'il existe un danger pour la vie et la santé dus à des gaz extrêmement inflammables.



Avertissement de tension électrique

Ce symbole indique qu'il existe un danger pour la vie dû à la tension.



Avertissement

Ce signal indique un danger avec un niveau de risque moyen qui, s'il n'est pas évité, peut entraîner la mort ou des blessures graves.



Mise en garde

Ce signal indique un danger à faible degré de risque qui, s'il n'est pas évité, peut entraîner des blessures légères ou modérées.



Attention

Ce signal indique des informations importantes (par ex. dommages matériels), mais pas de danger.



Respecter les consignes

Ce symbole indique qu'un technicien ne doit utiliser et entretenir cet appareil que conformément au guide d'utilisation.

Lisez prudemment et attentivement ce manuel avant d'utiliser/de mettre en service l'appareil et le conserver à proximité immédiate du lieu d'installation ou de l'appareil pour toute utilisation future !



AVERTISSEMENT

Risque d'incendie / matières inflammables

- **DANGER** Risque d'incendie ou d'explosion. Réfrigérant inflammable utilisé. Il ne faut pas utiliser d'appareils mécaniques pour le dégivrage du réfrigérateur. Il ne faut pas percer le tuyau de réfrigérant.
- **DANGER** Risque d'incendie ou d'explosion. Réfrigérant inflammable utilisé. Ne doit être réparé que par un personnel de service qualifié. Il ne faut utiliser que des pièces de rechange autorisées par le fabricant. Tout équipement de réparation utilisé doit être conçu pour les réfrigérants inflammables. Suivez toutes les instructions de réparation fournies par le fabricant. Il ne faut pas percer le tuyau de réfrigérant.



MISE EN GARDE

- **Mise en garde** Risque d'incendie ou d'explosion. Jetez le réfrigérateur correctement conformément aux réglementations fédérales ou locales applicables. Réfrigérant inflammable utilisé.
- **Mise en garde** Risque d'incendie ou d'explosion dû au perçage du tuyau de réfrigérant. Suivez attentivement les instructions de manipulation. Réfrigérant inflammable utilisé.



AVERTISSEMENT Consignes de sécurité générales

- Installez selon les instructions du fabricant.
- Cet appareil ne doit pas être encastré ou placé dans une armoire fermée. Il est conçu pour un montage autonome uniquement.
- **AVERTISSEMENT** - Gardez les fentes de ventilation de l'appareil dégagées de toute obstruction.
- Ce produit ne doit pas être placé à proximité d'une source de chaleur telle que radiateurs, bouches de chaleur, cuisinières ou autres appareils de cuisson ou à la lumière directe du soleil.
- Il ne faut pas stocker ni utiliser d'essence ou de liquides inflammables à l'intérieur ou à proximité de ce réfrigérateur.
- Ne stockez pas dans cet appareil de substances explosives telles que bombes aérosol avec le gaz propulseur inflammable.
- N'utilisez pas d'appareils électriques à l'intérieur des compartiments de stockage des aliments de l'appareil, sauf s'ils sont du type recommandé par le fabricant.
- N'utilisez pas d'appareils mécaniques ou d'autres moyens pour accélérer le processus de dégivrage, autres que ceux recommandés par le fabricant.
- L'appareil n'est pas prévu d'être utilisé par des personnes (y-compris les enfants) ayant des capacités physiques, sensorielles ou mentales réduites, ou ayant un manque d'expérience et de connaissance, sauf si elles sont supervisées ou ont reçu des instructions concernant l'usage de l'appareil, par une personne responsable de leur sécurité.



AVERTISSEMENT Sécurité électrique

Toute installation électrique incorrecte ou tension secteur excessive peut entraîner des chocs électriques !

- Ne branchez votre réfrigérateur-congélateur à une prise correctement installée avec mise à la terre que si la tension secteur de la prise correspond aux spécifications de la plaque signalétique*.
- N'utilisez pas de rallonges ni d'adaptateurs sans mise à terre (deux broches).
- Assurez-vous que tous les câbles électriques à l'extérieur de l'appareil sont protégés contre tout dommage (par ex. animaux ou bords tranchants).
- Ne placez pas de multiprises ou blocs d'alimentation portables à l'arrière de l'appareil.
- Une mauvaise alimentation électrique pourrait entraîner un incendie ou une électrocution.
- Évitez les surcharges électriques. Débranchez la fiche de la prise secteur avant d'effectuer des travaux d'entretien, de maintenance ou de réparation sur l'appareil.
- Éteignez l'appareil et débranchez la fiche de la prise secteur lorsque l'appareil n'est pas utilisé.
- Si le cordon d'alimentation est endommagé, il doit être remplacé par le fabricant, son agent de réparation ou une personne qualifiée afin d'éviter tout risque.
- Si les produits sont équipés de lampes LED, ne retirez pas vous-même le couvercle d'éclairage et les lampes LED. Tout remplacement ou entretien des lampes LED doit être effectué par le fabricant, un agent agréé ou une personne qualifiée.

Il n'est pas recommandé d'utiliser cet appareil avec des prises ou le commutateur principal doté de la fonction A/GFCI, autrement, cela pourrait provoquer un déclenchement involontaire.

1. Il ne pose aucun risque pour la sécurité lorsqu'il est déclenché.
2. Si le déclenchement persiste, il est recommandé de remplacer les prises ou le commutateur principal dépourvu de la fonction a/gfci.



AVERTISSEMENT Sécurité enfants

- Les enfants doivent être surveillés pour ne pas jouer avec cet appareil.
- Détruisez le carton, les sacs en plastique et tout matériau d'emballage une fois le produit déballé.
- Les enfants ne doivent jamais jouer ces objets. Les cartons recouverts de tapis, de couvre-lits, de feuilles de plastique ou de film étirable peuvent devenir des chambres hermétiques et provoquer rapidement la suffocation.
- Retirez toutes les agrafes du carton. Les agrafes peuvent causer de graves coupures et détruire les finitions si elles entrent en contact avec d'autres appareils ou meubles.

Risque de prise au piège des enfants. Avant de jeter votre ancien réfrigérateur ou congélateur :

- Enlevez les portes.
- Laissez les étagères en place afin que les enfants ne puissent pas facilement grimper à l'intérieur.



MISE EN GARDE Risque de blessures et de dommages !

- Ne mettez jamais un aliment congelé dans votre bouche immédiatement après l'avoir sorti du congélateur.
- Évitez tout contact prolongé de la peau avec des aliments congelés, de la glace et les tuyaux du compartiment congélateur.
- Ne stockez pas dans cet appareil de substances explosives telles que bombes aérosol avec le gaz propulseur inflammable. Ne placez pas non plus de produits inflammables à proximité du produit.
- Ne stockez pas de bière, de boissons ou d'autres liquides dans des bouteilles ou des récipients hermétiquement fermés dans le congélateur !



AVERTISSEMENT

Avertissements sur la proposition 65 de l'État de la Californie :

- Cet appareil peut vous exposer à des produits chimiques, dont le plomb, reconnu par l'État de Californie comme étant cancérigène, et au bisphénol A (BPA), reconnu par l'État de Californie comme pouvant causer des malformations congénitales ou d'autres problèmes de reproduction. Pour plus d'informations, rendez-vous sur le site www.P65Warnings.ca.gov.



MISE EN GARDE

Il faut respecter les instructions suivantes pour éviter toute contamination des aliments :

- L'ouverture prolongée de la porte peut entraîner une augmentation importante de la température dans les compartiments de l'appareil.
- Nettoyez régulièrement les surfaces pouvant entrer en contact avec les aliments et les systèmes de drainage accessibles.
- Nettoyez les réservoirs d'eau s'ils n'ont pas été utilisés pendant 48 heures, rincez le système d'eau reliée à une source d'approvisionnement si l'eau n'a pas été utilisée pendant 5 jours. (Remarque 1)(*)
- **AVERTISSEMENT** : À remplir avec de l'eau potable uniquement.(*)
- **AVERTISSEMENT** : À raccorder uniquement à l'alimentation en eau potable. (Convient pour machine à glace)(*)

ATTENTION

(*) : Cette fonction dépend du modèle acheté. Il faut confirmer s'il est applicable selon votre produit.

Avant la première utilisation

L'emballage doit être intact. Vérifiez si l'appareil a été endommagé pendant le transport. Il ne faut, en aucun cas, brancher un appareil endommagé. En cas de dommage, il faut contacter le fournisseur.

Enlever le couvercle de transport

L'appareil et les pièces d'intérieur sont protégés pour le transport. Il faut retirer tous les rubans adhésifs sur les côtés droit et gauche de la porte de l'appareil ainsi que les résidus de colle avec un solvant de nettoyage. Retirez également tous les rubans adhésifs et pièces d'emballage de l'intérieur de l'appareil.

Après le transport, l'appareil doit rester au repos pendant 12 heures pour permettre au liquide de refroidissement de s'accumuler dans le compresseur. Le non-respect de cette consigne peut endommager le compresseur et entraîner une panne de l'appareil.



MISE EN GARDE Risque de dommage !

Installer l'appareil

- La température ambiante affecte la consommation d'énergie et le bon fonctionnement de l'appareil. Ainsi, l'appareil doit être placé dans une pièce bien ventilée et sèche avec une température ambiante correspondant à la classe climatique pour laquelle l'appareil est conçu.
- L'appareil ne doit pas être placé à l'extérieur (par ex. balcon, terrasse, abri de jardin, etc.).

N'utilisez pas de couteaux tranchants ou d'objets pointus lors de l'ouverture de l'appareil. Il faut respecter cette remarque lors de l'installation : « Conseils pour l'économie d'énergie »

Retrait des portes de l'appareil

- Si l'appareil ne passe pas par la porte de l'appartement, il faut retirer ses portes.

ATTENTION

Le retrait des portes de l'appareil ne peut être effectué que par le service après-vente.



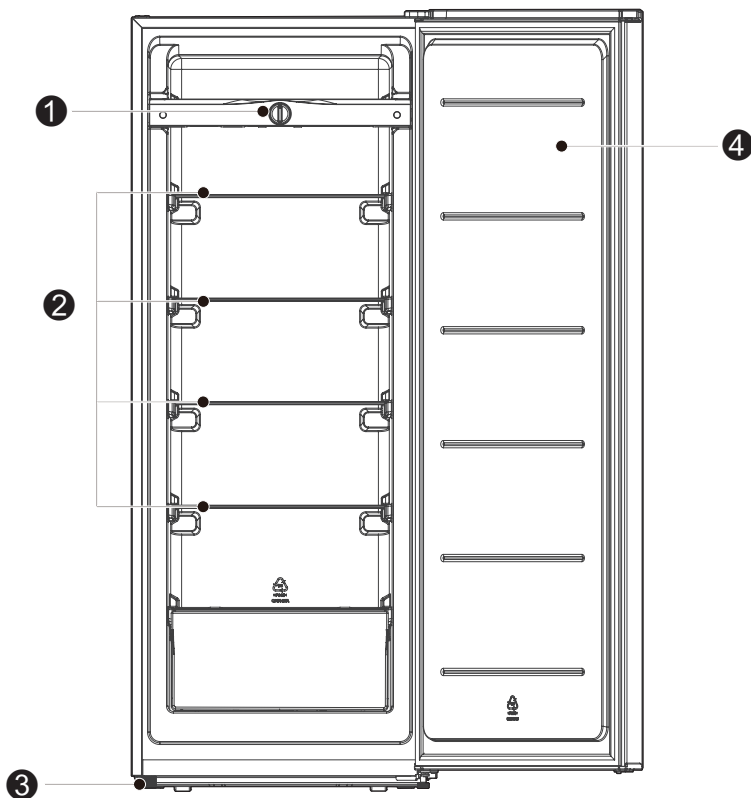
MISE EN GARDE Remarques pour le nettoyage

Débranchez toujours l'appareil avant de le nettoyer.

- La poussière derrière l'appareil et sur le sol doit être nettoyée pour améliorer les performances de refroidissement et l'économie d'énergie.
- Vérifiez régulièrement le joint de la porte pour s'assurer qu'il n'y a pas de débris. Nettoyez le joint de la porte avec un chiffon doux imbibé d'eau savonneuse ou de détergent dilué.
- L'intérieur du réfrigérateur doit être nettoyé régulièrement pour éviter toute odeur.
- Il faut débrancher l'appareil avant de nettoyer l'intérieur ; retirer tous les aliments, boissons, étagères, tiroirs, etc.
- Utilisez un chiffon doux ou une éponge avec une solution de deux cuillères à soupe de bicarbonate de soude et un litre d'eau tiède pour nettoyer l'intérieur de l'appareil. Rincez ensuite à l'eau puis essuyez. Après le nettoyage, ouvrez la porte et laissez sécher à l'air avant de brancher l'appareil.
- Pour les zones difficiles à nettoyer dans le réfrigérateur (telles que espaces étroits, trous et angles), il est recommandé de les essuyer régulièrement avec un chiffon et une brosse douce, etc. et si nécessaire, avec certains outils (tels que des bâtons minces) pour éviter toute contamination ou accumulation bactérienne dans ces zones.
- N'utilisez pas de savon, détergent, poudre à récurer, spray nettoyant, etc., car ils peuvent laisser des odeurs à l'intérieur du réfrigérateur ou contaminer les aliments.
- Nettoyez les casiers de porte, les étagères et tiroirs avec un chiffon doux imbibé d'eau savonneuse ou de détergent dilué. Séchez avec un chiffon doux ou laissez sécher naturellement.
- Nettoyez la surface extérieure du réfrigérateur avec un chiffon doux imbibé d'eau savonneuse ou de détergent etc., puis l'essuyer.
- N'utilisez pas de brosses dures, tampons à récurer, brosses métalliques, abrasifs (tels que le dentifrice), solvants organiques (tels qu'alcool, acétone, huile de banane, etc.), eau bouillante, produits acides ou alcalins, qui peuvent endommager la surface et l'intérieur du réfrigérateur. L'eau bouillante et les solvants organiques tels que le benzène peuvent déformer ou endommager les pièces en plastique.
- Ne rincez pas directement avec de l'eau ou d'autres liquides pendant le nettoyage pour éviter les courts-circuits ou affecter l'isolation électrique après immersion.

PRÉSENTATION DU PRODUIT

Nom des pièces



1 Bouton thermostat

2 Étagère en verre

3 Pied de nivellement

4 Par

● ATTENTION

L'image ci-dessus est donnée uniquement à titre de référence. La configuration réelle dépend du produit physique ou de la notice du distributeur

INSTALLATION DU PRODUIT

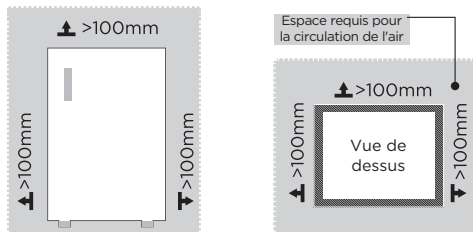
Instructions d'installation

Trouver un emplacement approprié

- Ce congélateur est conçu pour être autonome uniquement et ne doit pas être avec retrait ou encastré.
- Le congélateur doit être placé à l'intérieur dans un endroit bien ventilé ; le sol doit être plat et solide.
- Évitez la chaleur et la lumière directe du soleil. Ne placez pas le congélateur dans des endroits humides ou aqueux pour éviter la rouille ou la réduction de l'isolation.

Dimensions et dégagements

- Une distance trop petite des éléments adjacents peut entraîner une dégradation de la capacité de congélation et une augmentation des coûts d'électricité. Lors de l'installation de l'appareil, il faut laisser plus de 100 mm de dégagement par rapport à chaque mur adjacent.



Fournir une alimentation électrique appropriée

- Vérifiez votre source d'alimentation locale. Ce congélateur nécessite une alimentation électrique **115 VAC, 60 Hz**.
- Utilisez une prise mise à la terre. Le cordon d'alimentation est équipé d'une fiche à 3 broches (mise à la terre) qui s'accouple avec une prise murale standard à 3 broches (mise à la terre) afin de réduire les risques d'électrocution.

MISE EN GARDE

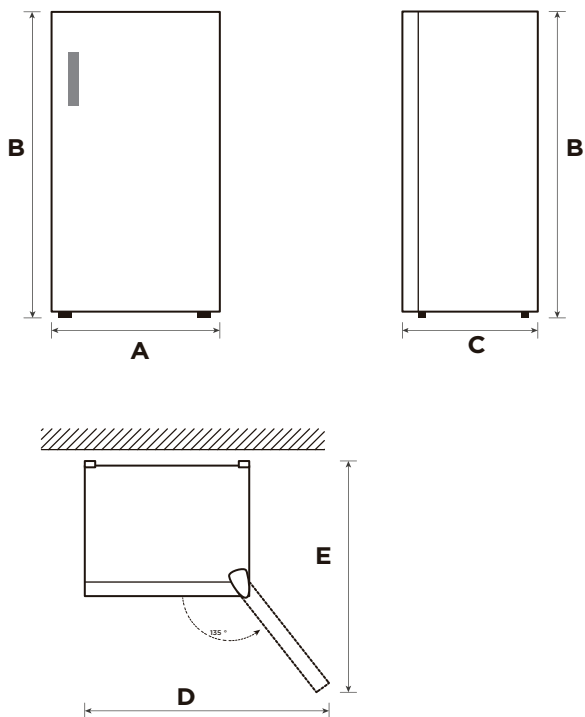
Ce congélateur doit être toujours branché sur une prise individuelle dont la tension nominale correspond à celle de la plaque signalétique.

Ne débranchez jamais votre congélateur en tirant sur le cordon d'alimentation. Il faut toujours tenir fermement la fiche et la tirer tout droit hors de la prise.

Commencer l'utilisation

- Lors de la première mise en service, le congélateur doit rester en position verticale pendant une demi-heure avant d'être mis sous tension.
- Le congélateur doit fonctionner 2 à 3 heures avant de charger des aliments frais ou surgelés ; il doit fonctionner pendant plus de 4 heures en été, étant donné que la température ambiante est élevée.

Diagramme d'encombrement (lorsque la porte est ouverte et lorsqu'elle est fermée)



Largeur	Hauteur totale	Profondeur	Largeur avec porte ouverte à 135°	Profondeur avec porte ouverte à 135°
A	B	C	D	E
550	1430	570	930	940

Remarque : Toutes les cotes en mm

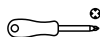
Inverser l'ouverture de la porte (option)

En fonction de l'endroit d'utilisation du réfrigérateur, il serait peut-être plus pratique d'inverser l'ouverture de la porte.

MISE EN GARDE

MISE EN GARDE : Pour éviter toute blessure et tout dommage, il est recommandé que vous fassiez assister pendant l'inversion de la porte.

Liste des outils à fournir par l'utilisateur



Tournevis cruciforme



Tournevis à lame fine



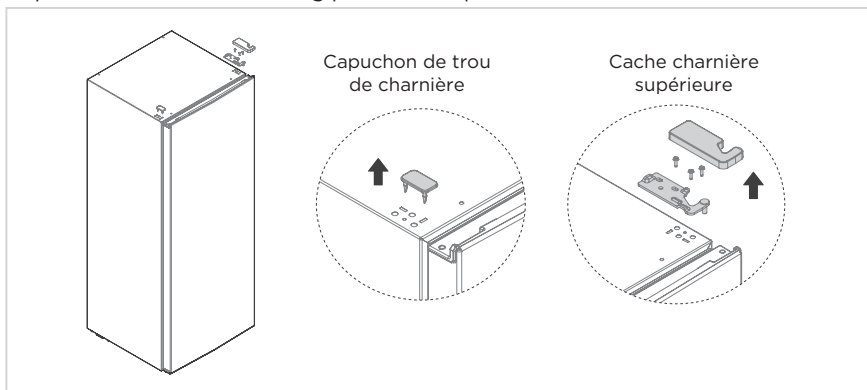
Bande de masquage

Pièces à utiliser pour inverser la porte

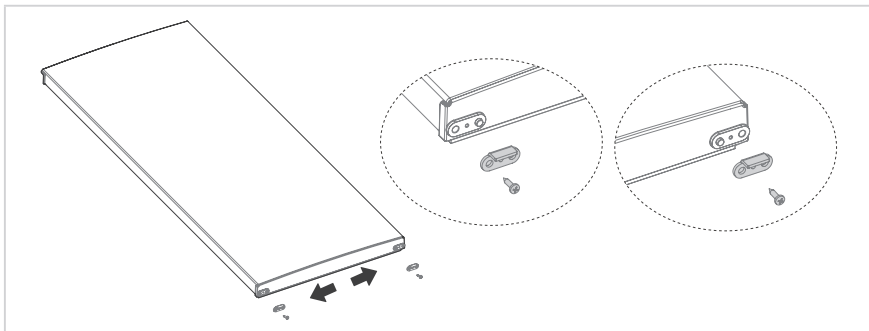
NS	PIÈCE	quantité	remarque
1	Charnière supérieure droite	1	Préinstallée sur le réfrigérateur, retirée lorsque la porte est inversée et conservée pour toute utilisation future
2	Cache charnière supérieure droite	1	
3	Capuchon de trou	1	
4	Butée	1	Préinstallé sur le réfrigérateur, toujours utilisée lorsque la porte est inversée
5	Butée Charnière inférieure	1	
6	Pied de nivellement	1	
7	Charnière supérieure gauche	1	Dans le sac en plastique, sortez ces accessoires pour les utiliser lorsque la porte est inversée
8	Cache charnière supérieure gauche	1	

ÉTAPES

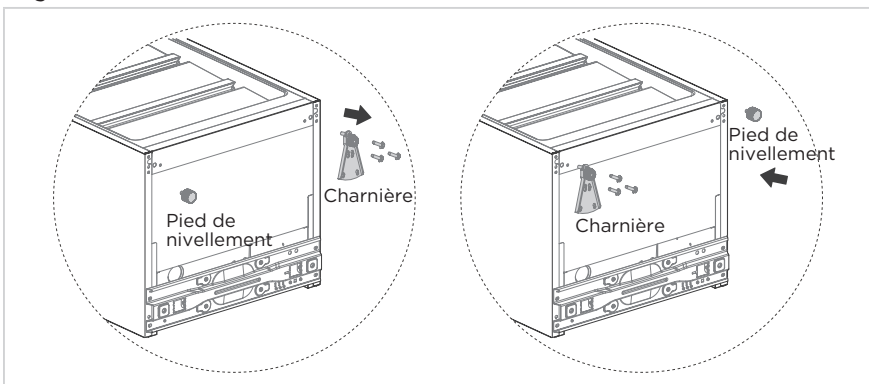
1. Enlevez tous les aliments des casiers de la porte. Fixez la porte avec du ruban adhésif.
2. Démontez le capuchon du trou de la charnière, le cache de la charnière supérieure droite, les vis de fixation puis retirez la charnière, il faut garder la porte verticale tout au long pour éviter qu'elle ne tombe.



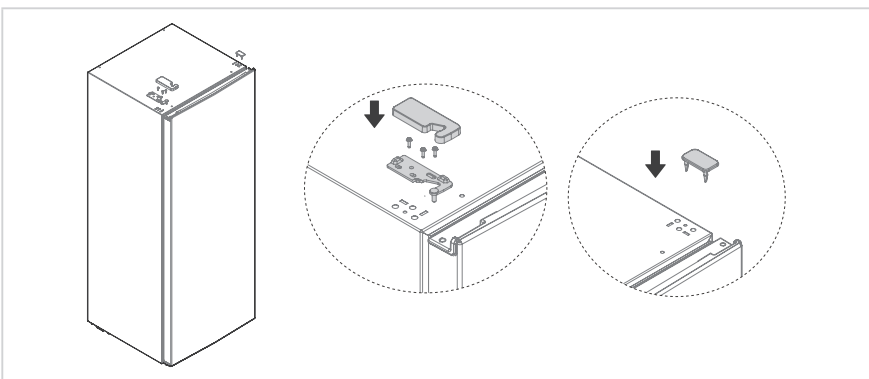
3. Retirez la porte.
4. Démontez la butée de porte et l'installez de l'autre côté.



5. Démontez la charnière inférieure et le pied de nivellement.
6. Installez la charnière inférieure et le pied de nivellement sur le côté inférieur gauche du caisson.



7. Placez la porte verticale sur la charnière inférieure et vérifiez l'étanchéité au gaz du joint de la porte, sortez la charnière supérieure gauche de rechange et le cache charnière du sac d'accessoires, puis l'installez en ajustant les vis. Enfin, installez le cache de la charnière et mettez le capuchon du trou de la charnière sur le côté supérieur droit.





Pieds de nivellement

Pour éviter toute vibration, l'appareil doit être à niveau.

Si nécessaire, ajustez les vis de nivellement pour compenser l'irrégularité du sol.

L'avant doit être légèrement plus haut que l'arrière pour que la porte se ferme facilement.

Les vis de mise à niveau peuvent être facilement tournées en inclinant légèrement le caisson.

Tournez les vis de mise à niveau dans le sens antihoraire  pour soulever l'appareil, dans le sens horaire  pour l'abaisser.

Déplacement de l'appareil

1. Retirez tous les aliments de l'intérieur de l'appareil.
2. Débranchez la fiche d'alimentation, l'insérez et la fixez dans le crochet situé à l'arrière ou au-dessus de l'appareil.
3. Collez les pièces telles que étagères et poignée de porte pour éviter qu'elles ne tombent lorsque vous déplacez l'appareil.
4. Il faut plus de deux personnes pour déplacer l'appareil avec précaution. Il faut maintenir l'appareil vertical lors de son transport sur une longue distance.
5. Après avoir installé l'appareil, branchez la fiche dans une prise d'alimentation pour allumer l'appareil.

ATTENTION

Précautions avant l'utilisation :

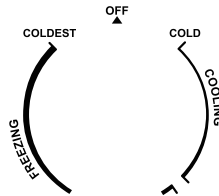
Avant d'apporter des modifications, le réfrigérateur doit être débranché. Il faut être prudent pour éviter toute blessure.

Conseils pour l'économie d'énergie

- Ne placez pas l'appareil à proximité de cuisinières, radiateurs et autres sources de chaleur. Si la température ambiante est élevée, le compresseur fonctionne plus fréquemment et plus longtemps, ce qui entraîne une augmentation de la consommation d'énergie.
- Assurez-vous qu'il y a une ventilation suffisante à la base, sur les côtés et à l'arrière de l'appareil. Il ne faut jamais couvrir les fentes de ventilation.
- Il faut également respecter les dégagements dans le chapitre « Installation ».
- La disposition des tiroirs, étagères et grilles comme indiqué sur l'illustration offre une utilisation efficace de l'énergie et doit donc être conservée autant que possible. Tous les tiroirs et étagères doivent rester dans l'appareil pour maintenir une température stable et économiser de l'énergie.
- Pour obtenir un plus grand espace de stockage (par ex. pour les gros aliments), les tiroirs du milieu peuvent être retirés. Les tiroirs supérieurs et inférieurs et les étagères doivent être retirés en dernier si nécessaire.
- Un compartiment réfrigérateur/congélateur rempli uniformément contribue à une utilisation optimale de l'énergie. Ainsi, il faut éviter les compartiments vides ou à moitié vides.
- Laissez refroidir les aliments chauds avant de les mettre dans le réfrigérateur/congélateur. Les aliments déjà refroidis augmentent l'efficacité énergétique.
- Il faut laisser les aliments surgelés décongeler au réfrigérateur. La froideur des aliments surgelés réduit la consommation d'énergie dans le compartiment réfrigérateur et augmente ainsi l'efficacité énergétique.
- Ouvrez la porte aussi brièvement que nécessaire pour réduire la perte de froid. Ouvrir brièvement la porte et la refermer correctement réduit la consommation d'énergie.
- Les joints de porte de l'appareil doivent être parfaitement intacts pour qu'elles se ferment correctement et ainsi ne pas augmenter inutilement la consommation d'énergie.

MODE D'EMPLOI

Panneau de commande



- Une fois le congélateur vertical est allumé, lorsque le bouton de contrôle de la température est tourné dans le sens horaire, la température diminue progressivement dans le congélateur et dans le sens antihoraire, la température augmente progressivement ; lorsque le bouton est positionné sur «COOLING», c'est le réfrigérateur qui est concerné, lorsqu'il est sur «FREEZING», c'est le congélateur qui est concerné.
- La position « OFF » indique l'arrêt.
- Lors de la sélection de la fonction réfrigération, il est recommandé de positionner le bouton de contrôle de la température au milieu de la zone de l'icône de réfrigération. Pendant la réfrigération, il peut y avoir des gouttes d'eau sur la paroi intérieure, ce qui est normal et le réfrigérateur peut être utilisé normalement.

ATTENTION

Le panneau de commande réel peut différer d'un modèle à l'autre.

Conseils pour la conservation des aliments

- La faible température du congélateur vertical peut garder les aliments frais pendant longtemps et est principalement utilisée pour stocker les aliments surgelés et faire de la glace.
- Le congélateur vertical convient au stockage de viande, poisson, crevettes, boulettes, boulettes de riz et autres aliments que vous n'allez pas consommer tout de suite.
- Les gros morceaux de viande doivent être divisés en petits morceaux pour un accès facile. Les aliments doivent être consommés dans le délai de conservation.

Lorsque l'appareil est en mode congélation, il faut couper l'alimentation à temps et la dégivrer manuellement dans les deux conditions suivantes. L'eau de dégivrage doit être dégagée du compartiment et l'espace intérieur doit être nettoyé.

1. Lorsque l'appareil est en mode congélation pendant une longue période, la paroi intérieure du caisson gèle et le givre s'épaissit avec le temps, et affecte son effet de refroidissement. Dans ce cas, coupez l'alimentation à temps pour le dégivrage manuel, nettoyez la paroi intérieure, puis le rallumer pour continuer à utiliser l'appareil.
2. Lorsque le mode congélation passe en mode réfrigération, la température à l'intérieur du compartiment augmente. Afin d'éviter qu'une grande quantité d'eau de dégivrage ne s'écoule et n'endommage le sol et d'autres objets, il faut couper l'alimentation pour le dégivrage manuel avant d'y mettre des aliments.

NETTOYAGE ET ENTRETIEN

Décongélation

Le congélateur vertical doit être décongelé manuellement.

Débranchez la fiche de la prise secteur, ouvrez la porte et mettez tous les aliments dans un endroit frais.

Il est recommandé d'enlever le givre à l'aide d'un grattoir en plastique, ou le laisser fondre naturellement avec la température. Ensuite, essuyez le givre et l'eau résiduels et branchez la prise pour allumer le congélateur.

ATTENTION

Pour le nettoyage, nous recommandons des serviettes douces ou une éponge trempée dans de l'eau et des détergents neutres non corrosifs. Le congélateur doit être finalement nettoyé à l'eau claire et avec un chiffon sec. Ouvrez la porte pour un séchage naturel avant d'allumer l'appareil. N'utilisez pas de brosses dures, billes de nettoyage en acier, brosses métalliques, abrasifs tels que dentifrice, solvants organiques (tels qu'alcool, acétone, huile de banane, etc.), eau bouillante, produits acides ou alcalins ; nettoyez le congélateur en sachant que cela peut endommager sa surface et son intérieur.

MISE EN GARDE

D'autres dispositifs et moyens mécaniques ne doivent pas être utilisés pour accélérer le processus, à l'exception de ceux recommandés par le fabricant. Évitez d'endommager le circuit frigorifique.

Arrêt d'utilisation

Panne de courant :

En cas de panne de courant, même en été, les aliments à l'intérieur de l'appareil peuvent être conservés pendant plusieurs heures, les ouvertures de la porte doivent être réduites et aucun aliment frais ne doit plus être mis dans l'appareil.

Longue période de non utilisation :

L'appareil doit être débranché et nettoyé, laissez les portes ouvertes pour éviter les odeurs.

Déplacement :

Avant de déplacer le réfrigérateur, retirez tous les aliments, fixez les cloisons en verre, le bac à légumes, les tiroirs de la chambre de congélation etc., avec du ruban adhésif, et serrez les pieds de nivellement, fermez les portes et les fixer avec du ruban adhésif. Pendant le déplacement, l'appareil ne doit pas être à l'envers ou à l'horizontale ni être soumis à des vibrations, l'inclinaison pendant le mouvement ne doit pas dépasser 45°.

ATTENTION

Une fois mis en marche, l'appareil doit fonctionner en continu. En règle générale, le fonctionnement de l'appareil ne doit pas être interrompu, autrement sa durée de vie peut être réduite.

Les aliments peuvent être conservés pendant quelques heures même en été en cas de panne de courant, il est recommandé de réduire la fréquence d'ouverture de la porte.

DÉPANNAGE

Les problèmes simples suivants peuvent être traités par l'utilisateur. Appelez le service après-vente si ces problèmes ne sont pas réglés.

Problème	Cause possible
Échec de l'opération	• Vérifiez si l'appareil est branché au secteur ou si la fiche est bien en contact
	• Vérifiez si la tension est trop faible
	• Vérifiez s'il y a une panne de courant ou des circuits partiels se sont déclenchés
Odeur	• Les aliments susceptibles d'émettre des odeurs doivent être bien enveloppés
	• Vérifiez s'il y a des aliments pourris
	• Nettoyez l'intérieur du réfrigérateur
Compresseur fonctionnant pendant une longue période	• Un fonctionnement prolongé du réfrigérateur est normal en été lorsque la température ambiante est élevée
	• Lorsque la température ambiante est élevée, il est recommandé de ne pas avoir trop d'aliments dans l'appareil en même temps.
	• Les aliments doivent refroidir avant d'être mis dans l'appareil
	• Les portes sont ouvertes trop fréquemment
La lumière ne s'allume pas	• Vérifiez si le réfrigérateur est branché et si la lumière est endommagée
	• Faites remplacer la lumière par un professionnel
La porte du réfrigérateur ne peut pas être correctement fermée.	• La porte est coincée par des aliments. Trop d'aliments sont placés
	• Le congélateur vertical n'est pas placé correctement.
Bruits forts	• Vérifiez si le sol est bien horizontal et si le réfrigérateur est placé de manière stable
	• Vérifiez si les accessoires sont placés aux bons endroits

Problème	Cause possible
Le joint de la porte n'est pas serré	<ul style="list-style-type: none"> • Éliminez tout corps étranger sur le joint de la porte • Chauffez puis refroidissez le joint de la porte, pour le restaurer (ou soufflez dessus avec un séchoir électrique ou utilisez une serviette chaude)
Débordement du bac à eau	<ul style="list-style-type: none"> • Il y a trop d'aliments dans la chambre ou les aliments stockés contiennent trop d'eau, cela entraîne une forte décongélation • Les portes ne sont pas fermées correctement, cela entraîne un dégivrage dû à l'entrée d'air et une augmentation d'eau
Boîtier chaud	<ul style="list-style-type: none"> • La dissipation de la chaleur du condenseur intégré via le boîtier est normale. Lorsque le boîtier devient chaud en raison d'une température ambiante élevée, du stockage d'une trop grande quantité d'aliments ou de l'arrêt du compresseur, il faut prévoir une bonne ventilation pour faciliter la dissipation de la chaleur.
Condensation de surface	<ul style="list-style-type: none"> • La condensation sur la surface extérieure et les joints de porte du réfrigérateur est normale lorsque l'humidité ambiante est trop élevée. Il suffit d'essuyer la condensation avec une serviette propre.
Bruit anormal	<ul style="list-style-type: none"> • Vrombissement : Le compresseur peut produire des vrombissements qui sont forts en particulier au démarrage ou à l'arrêt. C'est normal. • Craquements : Le fluide frigorigène qui circule à l'intérieur de l'appareil peut produire des craquements, ce qui est normal.

GARANTIE

2 Ans
Garantie limitée

PENDANT DEUX ANS à compter de la date d'achat d'origine ce produit Kenmore sera exempt de défauts de matériaux ou de fabrication.

Un produit défectueux sera réparé ou remplacé gratuitement, AVEC PREUVE DE VENTE.

Le nom de marque Kenmore est utilisé sous licence. Adressez toutes les demandes de service de garantie à Service à la clientèle du Koolatron, au 1-800-265-8456 ou en envoyant un courriel à service@koolatron.com

La présente garantie couvre les défauts de fabrication, y compris les défauts électriques et mécaniques, à condition que l'appareil soit correctement assemblé, utilisé et entretenu conformément aux instructions fournies. La présente garantie ne couvre pas les dommages causés par un accident, une mauvaise utilisation ou un abus, y compris la surchauffe, les réparations ou modifications non autorisées, ou l'utilisation avec un convertisseur de tension ou des accessoires de rechange, et elle ne s'applique pas aux rayures, taches, décoloration ou autres dommages de surface qui n'affectent pas le fonctionnement du produit. La présente garantie est nulle si l'appareil est utilisé à des fins autres que l'usage domestique privé.

Koolatron Corporation
4320 Federal Drive, Batavia, NY 14020 U.S.A.
139 Copernicus Blvd., Brantford, ON N3P1N4 Canada

Kenmore et le logo Kenmore sont des marques déposées de Transform SR Brands Management LLC et sont utilisées sous licence par Koolatron Corporation

H1S395
03/2024-v2