

WARRANTY / GARANTIE / GARANTÍA

LIMITED WARRANTY

FOR TWO YEARS from the date of original sale this appliance is warranted against defects in material or workmanship when it is correctly installed, operated and maintained according to all supplied instructions.

WITH PROOF OF ORIGINAL SALE a defective appliance will be replaced free of charge.

The Kenmore brand name is used under license. Direct all claims for warranty service to Koolatron Corporation, call 1-800-265-8456 or email service@koolatron.com

This warranty is void if this appliance is ever used for other than private household purposes.

This warranty gives you specific legal rights, and you may also have other rights which vary from state to state.

GARANTIE LIMITÉE

PENDANT DEUX ANS à compter de la date d'achat, cet appareil est garanti contre tout défaut de matériau ou de fabrication en cas d'installation, d'utilisation et d'entretien conformément aux instructions fournies.

AVEC PREUVE DE VENTE ORIGINALE, un appareil défectueux sera remplacé gratuitement.

Le nom de marque Kenmore est utilisé sous licence. Adressez toutes les réclamations pour le service de garantie à Koolatron Corporation, appeler 1 800 265-8456 ou envoyer un e-mail à service@koolatron.com

Cette garantie est nulle si cet appareil est utilisé à des fins autres que domestiques.

Cette garantie vous confère des droits juridiques spécifiques et vous pouvez également jouir d'autres droits qui peuvent varier d'un État à l'autre.

GARANTÍA LIMITADA

DENTRO DE DOS AÑOS a partir de la fecha de venta original, este electrodoméstico posee garantía contra defectos en los materiales o en la mano de obra cuando se instale, opera y mantenga correctamente de acuerdo con todas las instrucciones provistas.

CON EL COMPROBANTE DE VENTA ORIGINAL, un electrodoméstico defectuoso será reemplazado gratuitamente.

La marca Kenmore se utiliza bajo licencia. Dirija todas las reclamaciones por servicio de garantía a Koolatron Corporation, llamar 1-800-265-8456 o enviar un correo electrónico a service@koolatron.com

Esta garantía se anula si este electrodoméstico se usa para cualquier propósito que no sea el uso doméstico privado.

Esta garantía le otorga derechos legales específicos, y es posible que tenga también otros derechos, los cuales varían de un estado a otro.

Koolatron Corporation

4330 Commerce Dr., Batavia, NY 14020 USA

139 Copernicus Blvd., Brantford, ON N3P1N4 Canada

Kenmore and the Kenmore logo are registered trademarks to Transform SR Brands LLC and are used under license by Koolatron Corporation

Kenmore et le logo Kenmore sont des marques déposées de Transform SR Brands LLC et sont utilisées sous licence par Koolatron Corporation

Kenmore®



11-Cup Food Processor Robot culinaire de 11 tasses Procesador de alimentos de 11 tazas



KKFP11CB
KKFP11CR

Customer Assistance
Service à la clientèle
Asistencia al Cliente
1-800-265-8456
www.koolatron.com

Use & Care Guide
Guide d'utilisation et d'entretien
Manual de Uso y Cuidado

IMPORTANT SAFEGUARDS

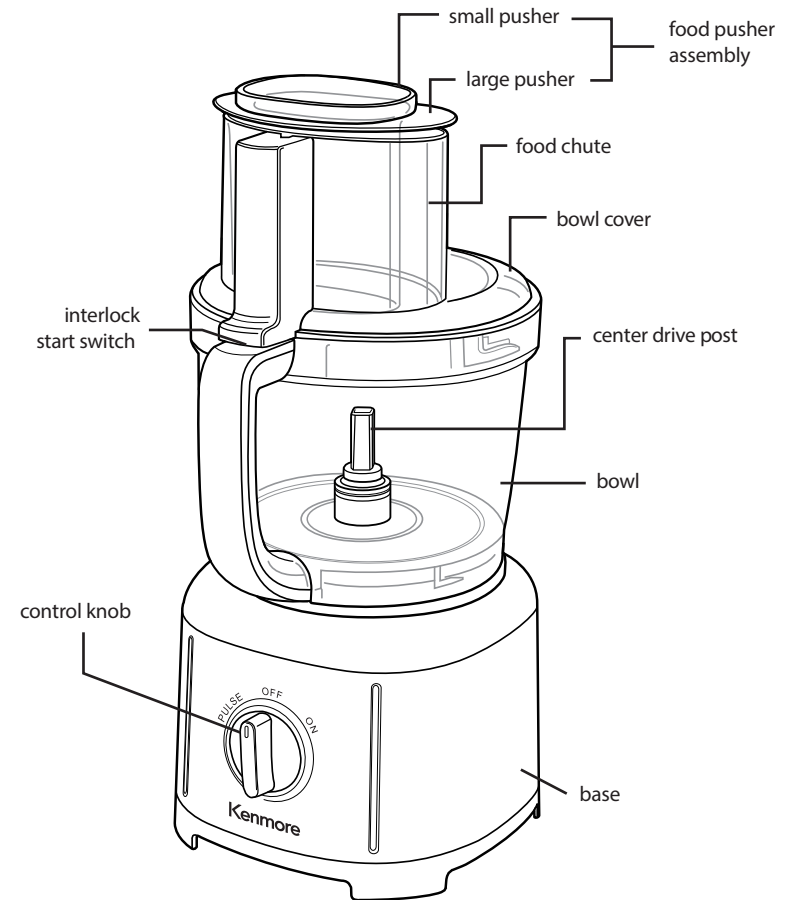
When using electrical appliances, basic safety precautions should always be followed, including the following:

1. Read all instructions.
2. To protect against risk of electrical shock do not put Food Processor in water or other liquid.
3. Close supervision is necessary when any appliance is used by or near children.
4. UNPLUG from outlet when not in use, before putting on or taking off parts, and before cleaning.
5. AVOID contact with moving parts.
6. DO NOT operate any appliance with a damaged cord or plug, or after the appliance malfunctions or has been dropped or damaged in any manner. Return appliance to the nearest authorized service facility for examination, repair or adjustment.
7. The use of accessory attachments not recommended or sold by the manufacturer may cause fire, electric shock or personal injury.
8. DO NOT use outdoors.
9. DO NOT let the cord hang over the edge of table or counter.
10. Keep hands and utensils away from moving blades or discs while processing food to reduce the risk of severe injury to persons or damage to the food processor. A scraper may be used but must be used only when the food processor is not running.
11. Blades are sharp. Handle carefully
12. To reduce the risk of injury, never place cutting blade or discs on base without first putting bowl properly in place.
13. Be certain cover is securely locked in place before operating appliance.
14. NEVER feed food by hand. Always use food pusher.
15. Never use without the cover interlock mechanism engaged.
16. To protect against electrical shock, this appliance is equipped with a cord having a 3-prong grounding-type plug for insertion into a proper grounding-type receptacle. DO NOT alter the plug for use in a 2-prong receptacle. If the plug will not fit into a receptacle, have the proper receptacle installed by a qualified electrician.
17. This appliance is for HOUSEHOLD USE ONLY.

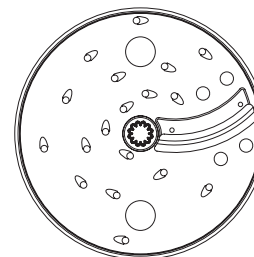
SAVE THESE INSTRUCTIONS!

PARTS AND FEATURES

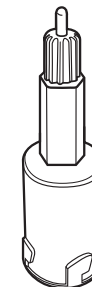
Fig. 1



slice/shred disc



disc drive adapter



chopping blade



PREPARING TO USE

Before using the food processor, wash all parts except the Base in hot, soapy water. Rinse dry. These parts can also be placed in the dishwasher on the top rack. Do not put in or near the utensil basket.



CAUTION - Blades are sharp. Handle carefully.



CAUTION
NEVER place food processor's motor/base in water or other liquids.

NOTE - DO NOT attempt to chop ice in this Food Processor; it will damage the Bowl and dull the Chopping Blade. This unit will not whip cream, beat egg whites to a desirable volume, grind coffee beans, spices or other items with high oil content, or slice or shred hardboiled eggs, marshmallows, or soft cheeses.

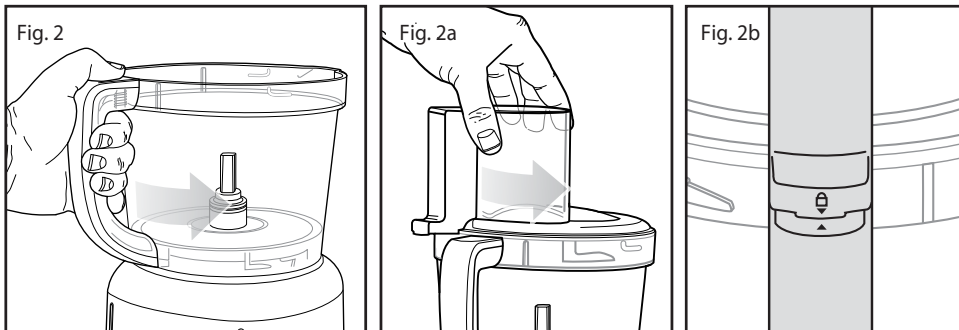
IMPORTANT - For your protection, this unit has an interlock system. The Processor will not operate unless the Bowl is properly locked onto Base and Cover is properly locked onto the Bowl. Do not attempt to operate the unit without the Bowl, Bowl Lid, and Food Chute Lid correctly in place.

ASSEMBLING YOUR FOOD PROCESSOR

ASSEMBLY

1. Make sure the Control Knob is in the OFF position and the power cord is unplugged.
2. Be sure Food Processor base is on a flat, dry, clean, stable surface before you begin processing.
3. To assemble, put the Bowl on the Base by aligning the Bowl handle with the Unlock icon on the base. Lock the Bowl onto the Base by turning the Bowl counterclockwise until it clicks into place. Once locked, the Bowl handle will face front and center (see Fig. 1).

NOTE - There is only one position for the Bowl to lock onto the Base. The unit will not operate if the Bowl does not lock onto the Base.



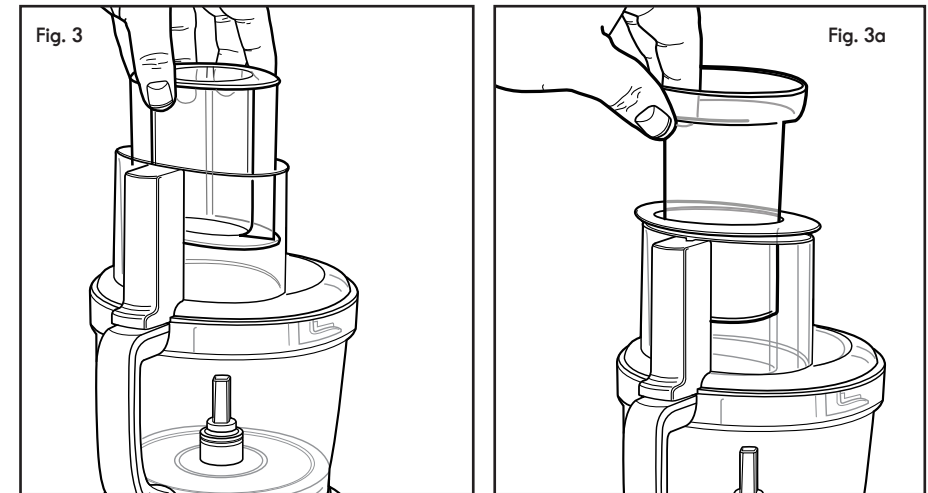
4

ASSEMBLING YOUR FOOD PROCESSOR

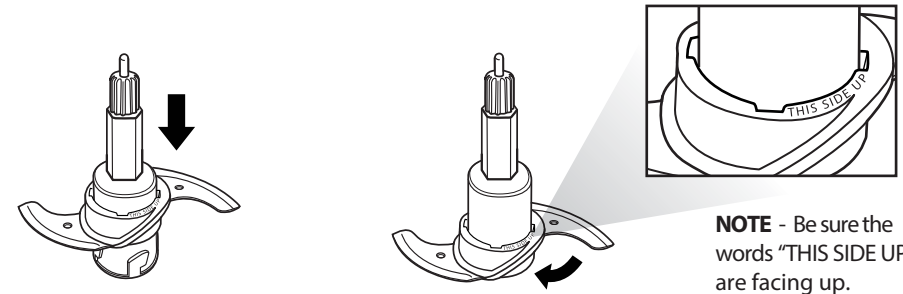
4. Place the Bowl Cover onto the Bowl. Align the arrow on the Cover with the Unlock icon on the Bowl (see Fig. 2 , 2a and 2b). Turn the Cover counterclockwise towards the center front until it clicks.

NOTE - There is only one position for the Bowl Cover to lock onto Bowl. The unit will not operate if the Bowl Cover does not lock onto the Bowl, or if the Large Food Pusher is not inserted into the Oval Food Chute.

5. There is a Food Pusher Assembly consisting of a Large and Small Pusher. Align the raised seam running down the back of the Large Pusher with the slot in the Interlock Start Switch. Insert the Large Pusher into the Oval Food Chute. Then insert the Small Pusher into the Circular Food Chute in the Large Pusher. See Fig. 3 and 3a.



BLADE ASSEMBLY



1. Place the Chopping Blade on the Disk Drive Adaptor as shown.

2. Rotate the Chopping Blade clockwise until it locks in place.

NOTE - Be sure the words "THIS SIDE UP" are facing up.

5

OPERATING YOUR FOOD PROCESSOR

CONTROLS

PULSE

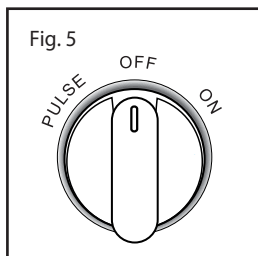
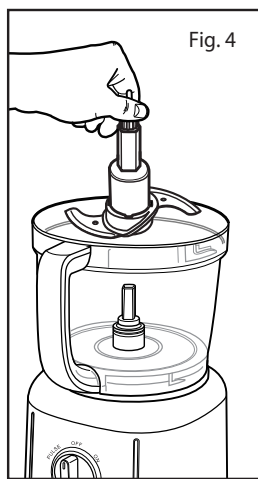
- When the Control Knob is turned counterclockwise to PULSE and held, the Food Processor operates. As soon as you let go of the Knob it returns to the OFF position.
- Use PULSE for short processing tasks, such as chopping nuts, raw meats or vegetables. This allows you much greater control of the consistency of what you are processing.

ON

- When the Control Knob is turned clockwise to ON, the unit will run continuously. This is good for less tender food and items that take a while longer to process.
- When you have finished processing, turn the control knob switch to OFF.

CHOPPING

1. Lock the Bowl onto the Base as described in Assembly.
2. Place the Chopping Blade onto the Center Post (see Fig. 4).



CAUTION - Blades are sharp. Handle carefully.

3. Place food to be chopped into Bowl. Refer to the Chopping Guide to prepare food for chopping.
4. Lock Bowl Cover onto Bowl as described in Assembly.
5. The Control Knob should be in the OFF position. Plug the cord into an electric outlet.
6. Insert the Food Pusher Assembly as far as it will go down into the Oval Food Chute.
7. Turn the Control Knob to ON to run constantly, or for better control over consistency, turn and hold knob on PULSE.
8. When finished processing:
 - If Pulsing, release Control Knob and unit automatically stops.
 - If you turned processor to ON, turn Control Knob to OFF to stop.
 - Allow the chopping blade to stop rotating.
- NOTE** - Before opening the Bowl Cover, turn the Control Knob to OFF and unplug the cord.
9. Remove the Food Pusher Assembly from the Processor.
10. To remove bowl cover, unlock by turning clockwise until cover unlatches, and lift off.
11. Lift the chopping blade by its base and remove. Unlock the Bowl by turning it clockwise and lift off. Empty the processed food.



WARNING - Chopping Blade is very sharp. Use caution when handling.

OPERATING YOUR FOOD PROCESSOR

SLICE OR SHRED



CAUTION - Make sure control knob switch is turned to OFF and unit is unplugged before use. Never use your hand to push food into processor. The use of heavy pressure on the Food Pusher will not speed operation.

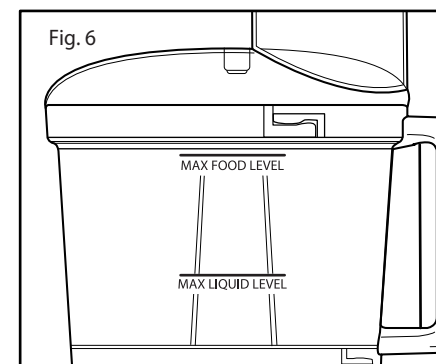
1. Lock the Bowl onto the Base as described in Assembly.
2. Slide the disc drive adapter down onto the center drive post of the base, then place the slice/shred disc, with the desired side facing up for either slicing or shredding, onto the disc stem and push down. At this point the disc will be at the top of the bowl.



WARNING

Slicing/Shredding Disc is very sharp. Use caution when handling.

3. Lock the Bowl Cover onto the Bowl.
4. Fill Oval or Circular Food Chute with food. See Shredding or Slicing Guide for food piece sizes.
 - If using the Large Pusher, fill the Oval Chute with pieces of food such as potato, cabbage, green pepper, whole tomato, etc., up to but not above the Max Fill line marked on the Chute (see Fig. 6).
 - If using the Small Pusher, first remove it from the Large Pusher. Insert the Large Pusher all the way into the Oval Food Chute. Place food pieces into the Circular Food Chute.



5. Plug the power cord into a proper electric outlet.
6. Start Processor.
 - If using Large Pusher, make sure that it is joined together with Small Pusher. Insert Pusher into Oval Food Chute to Max Fill line so that Pusher depresses spring in Interlock Start Switch. Turn Control Knob to ON to start Processor. Raise Pusher from Chute to stop Processor.
 - If using Small Pusher, Processor will begin running once Control Knob is turned to ON. Use Small Pusher to push food through Circular Chute. Turn Control Knob to OFF to stop Processor.
7. When food processing is complete, turn Control Knob to OFF, unplug processor, and wait for disc to stop rotating.



CAUTION - Before opening the Bowl Cover Assembly, be sure you have turned the unit OFF and unplugged the cord.

8. Open bowl cover by turning clockwise, and remove disc with disc stem.

OPERATING YOUR FOOD PROCESSOR

SLICE OR SHRED (cont.)



WARNING

Slicing/Shredding Disc is very sharp. Use caution when handling.

9. Unlock Bowl by turning clockwise towards Unlock icon and lift bowl off. Empty the processed food.

TO PROCESS LONG AND THIN FOOD ITEMS



CAUTION - Make sure control knob switch is turned to OFF and unit is unplugged before use. Never use your hand to push food into processor. The use of heavy pressure will not speed operation.

1. Lock the Bowl onto the Base as described in Assembly.

2. Slide the disc stem down onto the center post of the base, then place the slice/shred disc, with the desired side facing up for either slicing or shredding, onto the disc stem and push down. At this point the disc will be at the top of the bowl.



WARNING

Slicing/Shredding Disc is very sharp. Use caution when handling.

3. Lock bowl cover assembly onto bowl.

4. Remove Small Pusher from Large Pusher. Insert Large Pusher into Oval Food Chute.

5. Fill the Circular Food Chute with long and thin food items such as pepperoni, carrots or celery.

6. Insert Small Pusher into Circular Food Chute above food. Plug cord into electrical outlet.



WARNING

Food pusher must always be used when processing food. NEVER use hand to push food directly.

7. Turn the Control Knob to ON, then press down lightly but firmly on Small Pusher to feed items down and onto slice/shred disc. When the chute is empty, turn the Control Knob to OFF.

8. When food processing is complete, turn Control Knob to OFF, unplug processor, and wait for disc to stop rotating.

OPERATING YOUR FOOD PROCESSOR

TO PROCESS LONG AND THIN FOOD ITEMS (cont.)



CAUTION

Before opening the Bowl Cover, turn the unit OFF and unplug the cord.

9. Take off the bowl cover and carefully lift out disc and disc stem. Unlock Bowl by turning clockwise towards Unlock icon and lift bowl off. Empty the processed food.

FOOD PROCESSING TIPS - LIQUIDS

- Hot foods and liquids under 120°F / 49°C can be processed in the bowl. Anything over this temperature is too hot.
- Be sure to process small amounts of liquids (2 cups or less) at a time. Larger amounts may leak from the bowl.

CARE AND CLEANING

NOTE - DO NOT ATTEMPT to sharpen the cutting edges of the Chopping Blade or the reversible Disc. They are permanently sharpened at the factory and will be ruined by attempted sharpening.

1. Before cleaning, turn the Control Knob to OFF and unplug the cord to Food Processor.
2. Whenever possible, rinse parts immediately after processing for easy cleanup.
3. Wipe the Base, Control Knob, and feet with a damp cloth and dry thoroughly. Stubborn spots can be removed by rubbing with a damp cloth and a mild, non-abrasive cleaner. DO NOT immerse the Base in liquid.
4. All removable parts can be washed by hand or in a dishwasher in the top rack. Do not put in or near the utensil basket.
5. If washing removable parts by hand, wash in hot, sudsy water, rinse and dry thoroughly.
6. If necessary use a small nylon bristle brush to thoroughly clean the Bowl and Bowl Cover. This type of brush will also help prevent cutting yourself on the Chopping Blade and Slicing/Shredding Disc.
7. Do not use rough scouring pads or cleansers on any plastic or metal parts.
8. Do not fill the Bowl with boiling water or place any of the parts in boiling water.
9. Some foods, such as carrots, may temporarily stain the Bowl. To remove stains, make a paste of 2 tablespoons baking soda and 1 tablespoon warm water. Apply the paste to the stains and rub with a cloth. Rinse and dry.

Any other servicing should be performed by a qualified service dealer.

CHOPPING GUIDE

FOOD	AMOUNT	DIRECTIONS
Baby Food	Up to 4 cups (1000ml)	Add up to 4 cups cooked vegetables and/or meat to Bowl, along with 1/4 cup liquid per cup of solid food. Process continuously to desired fineness.
Bread Crumbs	Up to 5 slices	Cut either fresh or dry bread slices into 1 1/2 to 2-inch pieces. Add to Bowl and process to fine crumbs.
Cookie/ Cracker Crumbs	Up to 5 cups	Use for making crumbs from graham crackers, chocolate or vanilla wafers
Cranberries, Minced	3 cups (750ml)	Pulse to chop to desired fineness. Can also add sugar to make cranberry relish
Eggs, Chopped	Up to 12	Peel, dry and halve hard-cooked eggs. Add to Bowl. Pulse to chop, checking fineness after 4/5 pulses.
Garlic, minced	Up to 12	Be sure Bowl is dry. Drop clove(s) down food chute while unit is running.
Meat, chopped (Raw or Cooked)	Up to 2 1/2 cups (600ml)	Cut the meat into 1-inch cubes. Add to bowl and pulse to chop.
Mushrooms, chopped	Up to 12 Medium	Halve large ones and add to Bowl. Pulse to desired fineness.
Nuts, Chopped	2 cups (300ml)	Add to Bowl and Pulse to chop.
Onions, Chopped	Up to 2 large	Quarter and add to Bowl. Pulse 1 or 2 times to coarsely chop. For green onions, up to 2 cups cut into 1-inch pieces.
Parmesan or Romano Cheese, grated	Up to 1 1/2 cups (375ml)	Allow cheese to reach room temperature. Cut into 1-inch cubes. Add to bowl and pulse to coarse chop; process continuously to finely grate.
Parsley, Chopped	Up to 2 cups	Add to Bowl and Pulse to chop to desired fineness, about 10 to 15 seconds. Process other herbs in same way.
Pepper; Green, Red, Yellow, Chopped	Up to 1 pepper	Cut into 1-inch pieces. Add to bowl and pulse to chop.

CHOPPING GUIDE

FOOD	AMOUNT	DIRECTIONS
Soups, Pureed or Creamed	2 cups	Add up to 2 cups hot (less than 176°F) vegetable soup for pureeing and creaming. Process to desired smoothness.
Squash (Butternut), Pumpkin or Sweet Potatoes Pureed	Up to 5 cups, 1 in. cubes	Add 1/4 cup of cooking liquid per cup of food. Pulse to finely chop, then process continuously to puree.
Strawberries, Pureed	2 cups	Hull and halve large berries. Add to bowl and pulse to chop. Process continuously to puree.
Tomatoes, Chopped	4 medium	Quarter tomatoes. Add up to 4 and pulse to desired size.

SHREDDING GUIDE

FOOD	DIRECTIONS
Cabbage	Use shredding disc for very fine cabbage or slaw. Cut into pieces to fit chute. Shred, using light pressure. Empty Bowl as cabbage reaches disc.
Carrots	Position in chute and shred.
Cheese, Cheddar	Cheese must be well chilled. Cut to fit chute.
Cheese, Mozzarella	Cheese must be chilled in freezer for 30 minutes prior to shredding. Cut to fit chute. Use light pressure.
Potatoes	Cut to fit chute.
Zucchini	Cut to fit chute, either lengthwise or horizontally

CONSIGNES DE SÉCURITÉ IMPORTANTES

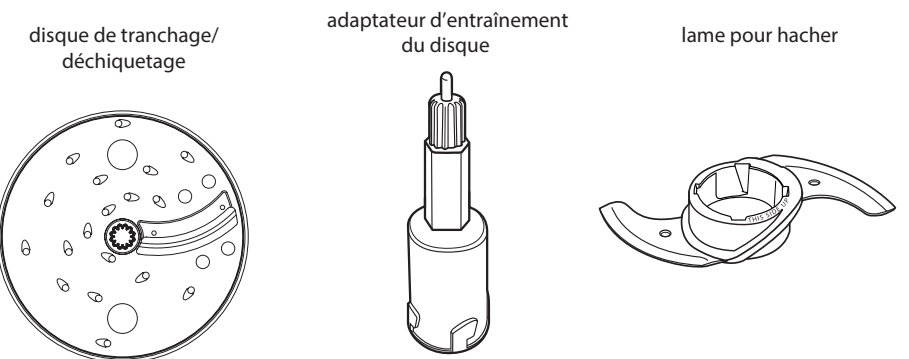
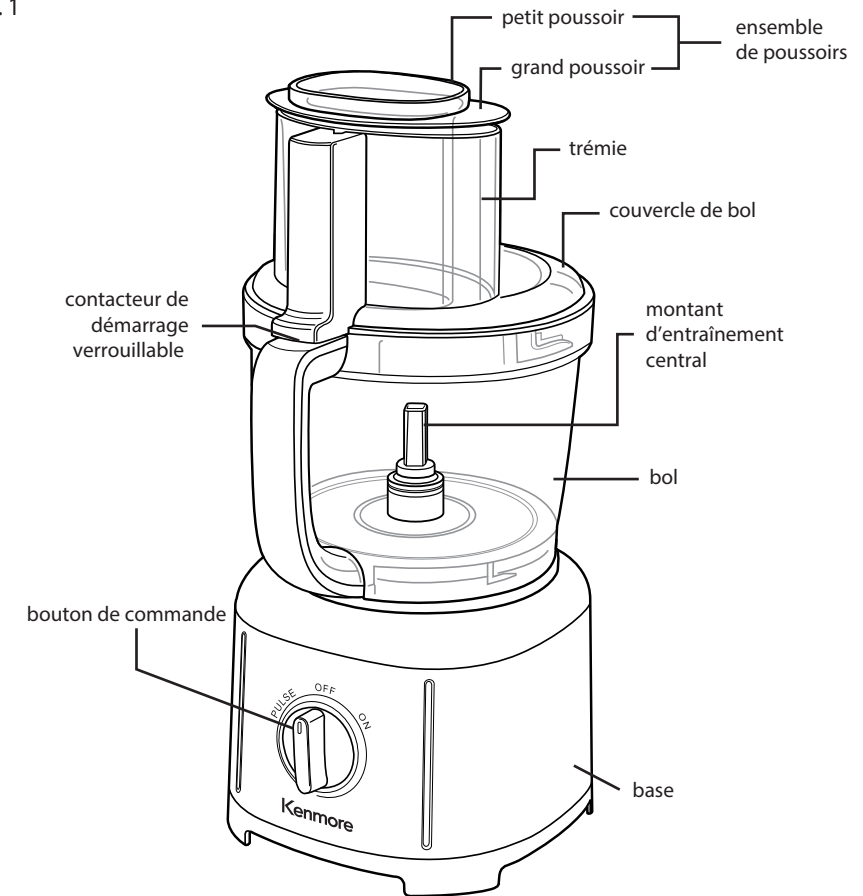
Lors de l'utilisation d'appareils électriques, il faut toujours observer certaines précautions élémentaires de sécurité, y compris les suivantes :

1. Lisez toutes les instructions.
2. Pour éviter tout risque de choc électrique, ne pas immerger le robot culinaire dans de l'eau ou tout autre liquide.
3. Une surveillance attentive s'impose lorsqu'un appareil ménager est utilisé par ou à proximité d'enfants.
4. DÉBRANCHEZ l'appareil lorsqu'il n'est pas utilisé, avant d'y ajouter des pièces ou d'en enlever et avant de le nettoyer.
5. ÉVITEZ tout contact avec les parties mobiles de l'appareil.
6. NE FAITES PAS fonctionner un appareil dont la fiche ou le cordon d'alimentation est endommagé, lorsque l'appareil ne fonctionne pas correctement ou est tombé ou endommagé d'une quelconque façon. Retournez l'appareil au centre de service agréé le plus proche pour examen, réparation ou réglage.
7. L'utilisation d'accessoires non recommandés ou non vendus par le fabricant peut causer un incendie, une décharge électrique ou des blessures.
8. N'UTILISEZ PAS l'appareil à l'extérieur.
9. NE LAISSEZ PAS le cordon pendre du bord de la table ou du comptoir.
10. Gardez les mains et les ustensiles à l'écart des lames ou disques lors de la préparation des aliments pour éviter toute blessure corporelle grave ou dommage au robot culinaire. Vous pouvez utiliser un grattoir, mais il doit être employé uniquement lorsque le robot culinaire ne fonctionne pas.
11. Les lames sont tranchantes. Manipulez-les avec précaution.
12. Pour réduire le risque de blessure, ne jamais placer la lame ou les disques sur la base sans installer correctement le bol au préalable.
13. S'assurer que le couvercle est bien verrouillé avant de faire fonctionner l'appareil.
14. N'INTRODUISEZ JAMAIS les aliments à la main. Toujours utiliser un poussoir pour introduire les aliments.
15. N'ESSAYEZ PAS d'outrepasser le dispositif de verrouillage du couvercle.
16. Cet appareil est équipé d'un cordon muni d'une fiche de mise à la terre à 3 broches pour l'insertion dans une prise de mise à la terre appropriée à des fins de protection contre les chocs électriques. NE MODIFIEZ PAS la fiche pour une utilisation dans une prise à 2 broches. Si la fiche ne s'insère pas dans la prise, demandez à un électricien qualifié d'installer une prise appropriée.
17. Cet appareil est conçu pour un USAGE DOMESTIQUE SEULEMENT.

CONSERVEZ CES CONSIGNES!

PIÈCES ET CARACTÉRISTIQUES

Fig. 1



PRÉPARATION À L'UTILISATION

Avant d'utiliser le robot culinaire, lavez toutes les pièces sauf la base dans de l'eau chaude savonneuse. Rincez et séchez le tout. Ces pièces peuvent également être placées dans le lave-vaisselle sur le panier supérieur. Ne placez pas les pièces dans ou à proximité du panier à ustensiles.



ATTENTION

Les lames sont tranchantes. Manipulez-les avec précaution.



ATTENTION - NE PLACEZ JAMAIS le moteur/la base du robot culinaire dans l'eau ou tout autre liquide.

REMARQUE - N'ESSAYEZ PAS de hacher de la glace dans ce robot culinaire; cela endommagerait le bol et émousserait la lame de hachage. Cet appareil ne peut pas fouetter la crème, battre des blancs d'œufs à un volume souhaitable, mouliner des grains de café, des épices ou d'autres articles à forte teneur en huile, ni ne couper, ni ne déchiqueter des œufs durs, des guimauves ou du fromage à pâte molle.

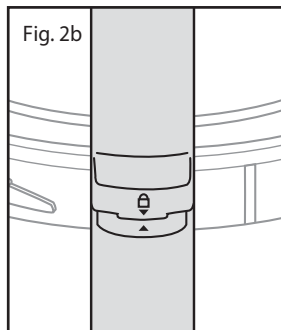
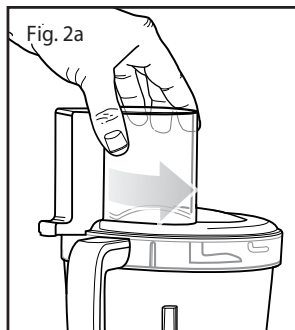
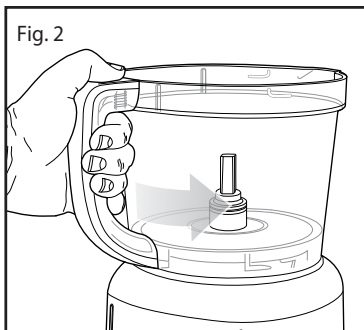
IMPORTANT - Pour votre protection, cet appareil dispose d'un système de verrouillage. Le robot culinaire ne fonctionne que si le bol est correctement verrouillé sur la base et le couvercle est correctement verrouillé sur le bol. N'essayez pas de faire fonctionner l'appareil sans le bol, le couvercle du bol et le couvercle de la trémie correctement en place.

ASSEMBLAGE DU ROBOT CULINAIRE

ASSEMBLAGE

1. Assurez-vous que le bouton de commande est en position OFF (arrêt) et que le cordon d'alimentation n'est pas branché.
2. Assurez-vous que la base du robot culinaire repose sur une surface plane, sèche, propre et stable avant de commencer le traitement.
3. Pour assembler le robot culinaire, placez le bol sur la base en alignant la poignée du bol avec l'icône de déverrouillage sur la base. Verrouillez le bol sur la base en tournant le bol dans le sens antihoraire jusqu'à ce qu'il s'enclenche. Une fois verrouillée, la poignée du bol fera face à l'avant et au centre (voir fig. 1).

REMARQUE - Il n'y a qu'une seule position pour que le bol se verrouille sur la base. L'appareil ne fonctionne pas si le bol ne se verrouille pas sur la base.

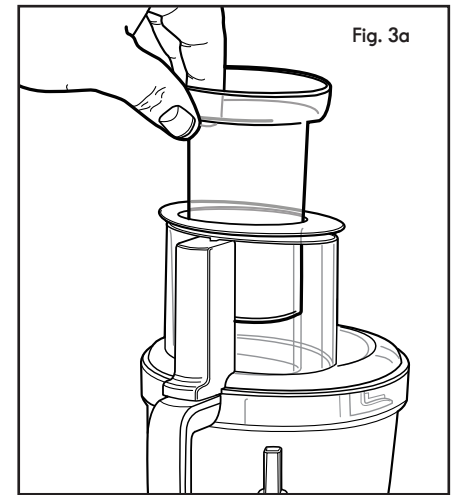
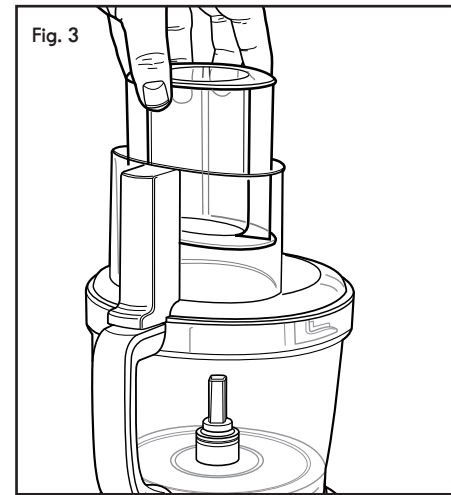


ASSEMBLAGE DU ROBOT CULINAIRE

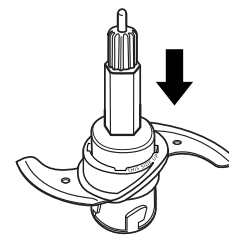
4. Placez le couvercle de bol sur le bol. Alignez la flèche sur le couvercle avec l'icône de déverrouillage sur le bol (voir fig. 2, 2a et 2 b). Tournez le couvercle dans le sens antihoraire vers l'avant central jusqu'à ce qu'il s'enclenche.

REMARQUE - Il n'y a qu'une seule position pour que le couvercle se verrouille sur le bol. L'appareil ne fonctionne pas si le couvercle ne se verrouille pas sur le bol ou si le grand poussoir à aliments n'est pas inséré dans la trémie ovale.

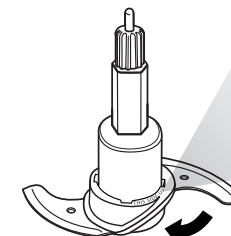
5. Il y a un ensemble de poussoirs d'aliments composé d'un grand et d'un petit poussoir. Alignez la nervure surélevée à l'arrière du grand poussoir avec la fente du contacteur de démarrage verrouillable. Insérez le grand poussoir dans la trémie ovale. Insérez ensuite le petit poussoir dans la trémie circulaire du grand poussoir. Consultez les fig. 3 et 3a.



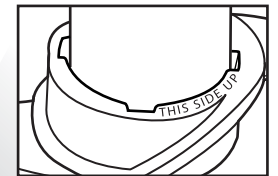
ASSEMBLAGE DE LA LAME



1. Placez la lame de hachage sur l'adaptateur d'entraînement du disque comme indiqué.



2. Tournez la lame de hachage dans le sens horaire jusqu'à ce qu'il s'emboîte.



REMARQUE

- Assurez-vous que le côté avec les mots « THIS SIDE UP » (ce côté vers le haut) est orienté vers le haut.

UTILISATION DU ROBOT CULINAIRE

COMMANDES

IMPULSION

- Lorsque le bouton de commande est tourné dans le sens antihoraire sur PULSE (impulsion) et maintenu en position, le robot culinaire fonctionne. Dès que vous relâchez le bouton, il revient en position OFF (arrêt).
- Utilisez la fonction PULSE (impulsion) pour des tâches de transformation courtes, telles que hacher des noix, des viandes crues ou des légumes. Cela vous permet de mieux contrôler la consistance de ce que vous traitez.

MARCHE

- Lorsque le bouton de commande est tourné dans le sens horaire vers ON (marche), l'appareil fonctionne en continu. Cette fonction est utile pour les aliments moins tendres et les articles alimentaires qui prennent un peu plus de temps à traiter.
- Lorsque vous avez terminé le traitement, tournez le bouton de commande vers OFF (arrêt).

HACHAGE

1. Verrouillez le bol sur la base comme décrit dans la section Assemblage.
2. Placez la lame de hachage sur le montant central (voir fig. 4).

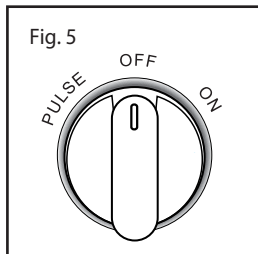
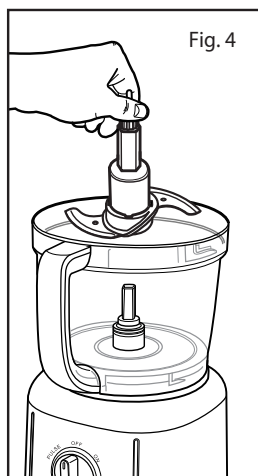


ATTENTION - Les lames sont tranchantes. Manipulez-les avec précaution.

3. Placez les aliments à hacher dans le bol. Reportez-vous à la section Guide de hachage pour préparer les aliments à hacher.
 4. Verrouillez le couvercle du bol sur le bol comme décrit dans la section Assemblage.
 5. Le bouton de commande doit être en position OFF (arrêt). Branchez le cordon d'alimentation à une prise de courant.
 6. Insérez l'ensemble de poussoirs d'aliments aussi loin que possible dans la trémie ovale.
 7. Tournez le bouton de commande vers ON (marche) pour faire fonctionner le robot en continu, ou pour un meilleur contrôle de la consistance, tournez et maintenez le bouton sur PULSE (impulsion).
 8. Une fois le traitement terminé :
 - En cas de pulsation, relâchez le bouton de commande et l'appareil s'arrête automatiquement.
 - Si le bouton de commande est sur ON (marche), tournez-le vers OFF pour arrêter le robot culinaire.
 - Laissez la lame de hachage s'arrêter de tourner.
- REMARQUE** - Avant d'ouvrir le couvercle du bol, tournez le bouton de commande vers OFF (arrêt) et débranchez le cordon.
9. Retirez l'ensemble de poussoirs d'aliments du robot.
 10. Pour retirer le couvercle du bol, déverrouillez-le en tournant dans le sens horaire jusqu'à ce que le couvercle se déverrouille, puis retirez-le.
 11. Soulevez la lame de hachage par sa base et retirez-la. Déverrouillez le bol en le tournant dans le sens horaire et en le soulevant. Videz les aliments transformés.



AVERTISSEMENT - La lame de coupe est très tranchante. Prenez des précautions lors de son retrait.



UTILISATION DU ROBOT CULINAIRE

TRANCHER OU DÉCHIQUETER



ATTENTION - Assurez-vous que le bouton de commande est sur OFF (arrêt) et que l'appareil est débranché avant de l'utiliser. N'utilisez jamais votre main pour pousser les aliments dans le robot. L'utilisation d'une forte pression sur le poussoir n'accéléra pas le fonctionnement.

1. Verrouillez le bol sur la base comme décrit dans la section Assemblage.
2. Faites glisser l'adaptateur d'entraînement de disque vers le bas sur le montant d'entraînement central de la base, puis placez le disque de tranchage/déchiquetage, avec le côté souhaité vers le haut pour le tranchage ou le déchiquetage, sur la tige du disque et poussez vers le bas. À ce stade, le disque sera en haut du bol.



AVERTISSEMENT - Le disque de tranchage/déchiquetage est très tranchant. Prenez des précautions lors de sa manipulation.

3. Verrouillez le couvercle de bol sur le bol.
4. Remplissez la trémie ovale ou circulaire de nourriture. Consultez le Guide de déchiquetage ou de tranchage pour connaître les dimensions des aliments.

- Si vous utilisez le grand poussoir, remplissez la trémie ovale avec des morceaux de nourriture tels que pomme de terre, chou, poivron vert, tomate entière, etc. jusqu'à mais pas au-dessus de la ligne Max Fill marquée sur la trémie (voir fig. 6).
- Si vous utilisez le petit poussoir, retirez-le d'abord du grand poussoir. Insérez le grand poussoir complètement dans la trémie ovale. Placez les morceaux de nourriture dans la trémie circulaire.

5. Branchez le cordon d'alimentation à une prise de courant adéquate.

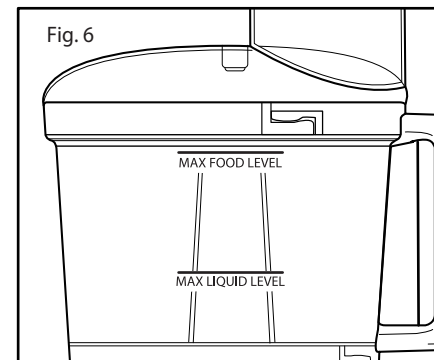
6. Démarrez le robot culinaire.

- Si vous utilisez un grand poussoir, assurez-vous qu'il est assemblé avec le petit poussoir. Insérez le poussoir dans la trémie ovale jusqu'à la ligne de remplissage maximum afin que le poussoir appuie sur le ressort du contacteur de démarrage verrouillable. Tournez le bouton de commande vers ON (marche) pour démarrer le robot culinaire. Relevez le poussoir de la trémie pour arrêter le robot culinaire.
- Si vous utilisez le petit poussoir, le robot culinaire commencera à fonctionner une fois que le bouton de commande est tourné sur ON (marche). Utilisez le petit poussoir pour pousser les aliments à travers la trémie circulaire. Tournez le bouton de commande vers OFF (arrêt) pour arrêter le robot culinaire.

7. Lorsque la transformation des aliments est terminée, tournez le bouton de commande vers OFF (arrêt), débranchez le robot et attendez que le disque s'arrête de tourner.



ATTENTION - Avant d'ouvrir le couvercle du bol, assurez-vous d'avoir éteint l'appareil et débranché le cordon.



UTILISATION DU ROBOT CULINAIRE

TRANCHER OU DÉCHIQUETER (suite)

8. Ouvrez le couvercle du bol en tournant dans le sens horaire et retirez le disque avec la tige du disque.



AVERTISSEMENT - Le disque de tranchage/déchiquetage est très tranchant. Prenez des précautions lors de son retrait.

9. Déverrouillez le bol en tournant dans le sens horaire vers l'icône de déverrouillage et soulevez le bol. Videz les aliments transformés.

TRANSFORMER DES PRODUITS ALIMENTAIRES LONGS ET MINCES



ATTENTION - Assurez-vous que le bouton de commande est sur OFF (arrêt) et que l'appareil est débranché avant de l'utiliser. N'utilisez jamais votre main pour pousser les aliments dans le robot. L'utilisation d'une forte pression sur le poussoir n'accéléra pas le fonctionnement.

1. Verrouillez le bol sur la base comme décrit dans la section Assemblage.

2. Faites glisser la tige du disque vers le bas sur le montant central de la base, puis placez le disque de tranchage/déchiquetage, avec le côté souhaité vers le haut pour le tranchage ou le déchiquetage, sur la tige du disque et poussez vers le bas. À ce stade, le disque sera en haut du bol.



AVERTISSEMENT - Le disque de tranchage/déchiquetage est très tranchant. Prenez des précautions lors de son retrait.

3. Verrouillez le couvercle du bol sur le bol.

4. Retirez le petit poussoir du grand poussoir. Insérez le grand poussoir dans la trémie ovale.

5. Remplissez la trémie circulaire avec des aliments longs et fins tels que du pepperoni, des carottes ou du céleri.

6. Insérez le petit poussoir dans la trémie circulaire au-dessus des aliments. Branchez le cordon d'alimentation dans la prise de courant.



AVERTISSEMENT - Le poussoir doit toujours être utilisé lors de la transformation des aliments. N'UTILISEZ JAMAIS votre main pour pousser les aliments directement dans le robot.

7. Tournez le bouton de commande sur ON (marche), puis appuyez légèrement mais fermement sur le petit poussoir pour pousser les articles alimentaires vers le bas et sur le disque de tranchage/déchiquetage. Lorsque la trémie est vide, tournez le bouton de commande sur OFF (arrêt).

8. Lorsque la transformation des aliments est terminée, tournez le bouton de commande vers OFF (arrêt), débranchez le robot et attendez que le disque s'arrête de tourner.

UTILISATION DU ROBOT CULINAIRE

TRANSFORMER DES PRODUITS ALIMENTAIRES LONGS ET MINCES (suite)



ATTENTION - Avant d'ouvrir le couvercle du bol, tournez le bouton de commande vers OFF (arrêt) et débranchez le cordon.

9. Retirez le couvercle du bol et soulevez délicatement le disque et la tige du disque. Déverrouillez le bol en tournant dans le sens horaire vers l'icône de déverrouillage et soulevez le bol. Videz les aliments transformés.

CONSEILS DE TRANSFORMATION ALIMENTAIRE – LIQUIDES

- Les aliments chauds et les liquides à moins de 120 °F / 49 °C peuvent être traités dans le bol. Tout ce qui dépasse cette température est trop chaud.
- Assurez-vous de traiter de petites quantités de liquides (2 tasses ou moins) à la fois. Des quantités plus importantes peuvent s'échapper du bol.

ENTRETIEN ET NETTOYAGE

REMARQUE : NE TENTEZ PAS d'affûter les bords de coupe de la lame de hachage ou du disque réversible. Ils sont affûtés en permanence en usine et seront ruinés par une tentative d'affûtage.

1. Avant de procéder au nettoyage, tournez le bouton de commande sur OFF (arrêt) et débranchez le cordon du robot culinaire.
2. Dans la mesure du possible, rincez les pièces immédiatement après le traitement pour un nettoyage facile.
3. Essuyez la base, le bouton de commande et les pieds avec un chiffon humide et séchez soigneusement. Les taches tenaces peuvent être éliminées en frottant avec un chiffon humide et un nettoyant doux et non abrasif. N'IMMERGEZ PAS la base dans du liquide.
4. Toutes les pièces amovibles peuvent être lavées à la main ou au lave-vaisselle dans le panier supérieur. Ne placez pas les pièces dans ou à proximité du panier à ustensiles.
5. Si vous nettoyez les pièces amovibles à la main, lavez-les à l'eau chaude savonneuse, puis rincez-les et séchez-les soigneusement.
6. Si nécessaire, utilisez une petite brosse à poils de nylon pour nettoyer soigneusement le bol et le couvercle du bol. Ce type de brosse aidera également à éviter de vous couper sur la lame de hachage et le disque de tranchage/déchiquetage.
7. N'utilisez pas de tampons à récurer ou de nettoyants rugueux sur les pièces en plastique ou en métal.
8. Ne remplissez pas le bol d'eau bouillante et ne placez aucune des pièces dans l'eau bouillante.
9. Certains aliments, comme les carottes, peuvent temporairement tacher le bol. Pour enlever les taches, faites une pâte de 2 cuillères à soupe de bicarbonate de soude et 1 cuillère à soupe d'eau tiède. Appliquez la pâte sur les taches et frottez avec un chiffon. Rincez et séchez le tout.

Tout autre entretien doit être effectué par un technicien de service qualifié.

GUIDE DE HACHAGE

ALIMENT	QUANTITÉ	INSTRUCTIONS
Nourriture pour bébé	Jusqu'à 4 tasses (1 000 mL)	Ajoutez jusqu'à 4 tasses de légumes ou de viande cuits dans le bol, ainsi que 1/4 tasse de liquide par tasse d'aliments solides. Traitez en continu jusqu'à la finesse désirée
Chapelure	Jusqu'à 5 tranches	Coupez des tranches de pain fraîches ou sèches en morceaux de 1 1/2 à 2 po. Ajoutez au bol et transformez en fines miettes.
Miettes de biscuits/craquelins	Jusqu'à 5 tasses	À utiliser pour faire des miettes de biscuits Graham, de gaufrettes au chocolat ou à la vanille
Canneberges, hachées	3 tasses (750 mL)	Utilisez la fonction Impulsion pour hacher jusqu'à la finesse désirée. Peut également ajouter du sucre pour faire de la relish aux canneberges
Œufs, hachés	Jusqu'à 12	Épluchez, séchez et coupez en deux les œufs durs. Ajoutez au bol. Utilisez la fonction Impulsion pour hacher, puis vérifiez la finesse après 4/5 impulsions.
Ail émincé	Jusqu'à 12	Assurez-vous que le bol est sec. Faites tomber la ou les gousses d'ail dans la trémie pendant que l'appareil est en marche.
Viande hachée (crue ou cuite)	Jusqu'à 2 1/2 tasses (600 mL)	Coupez la viande en cubes de 1 po. Ajoutez la viande au bol et utilisez la fonction Impulsion pour hacher.
Champignons hachés	Jusqu'à 12 de taille moyenne	Coupez les gros champignons en deux et ajoutez-les au bol. Utilisez la fonction Impulsion jusqu'à la finesse désirée.
Noix hachées	2 tasses (300 mL)	Ajoutez les noix au bol et utilisez la fonction Impulsion pour hacher.
Oignons hachés	Jusqu'à 2 gros oignons	Coupez les oignons en quartiers et ajoutez-les au bol. Utilisez la fonction Impulsion 1 ou 2 fois pour hacher grossièrement. Pour les oignons verts, jusqu'à 2 tasses coupées en morceaux de 1 po.
Fromage râpé, Parmesan ou Romano	Jusqu'à 1 1/2 tasses (375 mL)	Laissez le fromage atteindre la température ambiante. Coupez le fromage en cubes de 1 po. Ajoutez le fromage au bol et utilisez Impulsion pour hacher le fromage grossièrement; traitez en continu pour râper finement.

GUIDE DE HACHAGE

ALIMENT	QUANTITÉ	INSTRUCTIONS
Persil haché	Jusqu'à 2 tasses	Ajoutez le persil au bol et utilisez la fonction Impulsion pour hacher jusqu'à la finesse souhaitée, environ 10 à 15 secondes. Traitez les autres herbes de la même manière.
Poivre haché : vert, rouge, jaune	Jusqu'à 1 poivre	Coupez le poivre en morceaux de 1 po. Ajoutez la viande au bol et utilisez la fonction Impulsion pour hacher.
Soupes, en purée ou en crème	2 tasses	Ajoutez jusqu'à 2 tasses de soupe aux légumes chaude (moins de 176 °F) pour réduire en purée et crémier. Traitez la soupe jusqu'à consistance lisse désirée.
Courge (Butternut), citrouille ou patate sucrée en purée	Jusqu'à 5 tasses, cubes de 1 po	Ajoutez 1/4 tasse de liquide de cuisson par tasse de nourriture. Utilisez la fonction Impulsion pour hacher finement, puis transformer en purée en continu.
Fraises en purée	2 tasses	Coupez les grosses baies en deux. Ajoutez les fraises au bol et utilisez la fonction Impulsion pour hacher. Traitez en continu pour réduire en purée
Tomates hachées	4 de taille moyenne	Coupez les tomates en quartiers Ajoutez jusqu'à 4 et utilisez la fonction Impulsion jusqu'à l'obtention de la taille désirée.

GUIDE DE RÂPAGE

ALIMENT	INSTRUCTIONS
Choux	Utilisez un disque déchiqueteur pour du chou très fin ou de la salade de chou. Coupez le chou en morceaux pour insertion dans la trémie. Déchiquetez le chou en exerçant une légère pression. Videz le bol lorsque le chou atteint le disque.
Carottes	Placez la ou les carottes dans la trémie, puis déchiquetez les carottes.
Fromage cheddar	Le fromage doit être bien refroidi. Coupez le fromage pour insertion dans la trémie.
Fromage mozzarella	Le fromage doit être réfrigéré au congélateur pendant 30 minutes avant d'être déchiqueté. Coupez le fromage pour insertion dans la trémie. Utilisez une légère pression.
Pommes de terre	Coupez les pommes de terre pour insertion dans la trémie.
Courgette	Coupez la courgette pour insertion dans la trémie, dans le sens de la longueur ou horizontalement.

GUIDE DE TRANCHAGE

ALIMENT	INSTRUCTIONS
Pomme	Coupez les pommes en deux et empilez les morceaux horizontalement dans la goulotte. Utilisez une légère pression.
Chou/Laitue	Coupez la tête en deux pour insertion dans la trémie.
Carottes	Coupez les carottes pour insertion dans la trémie.
Céleri	Retirez les feuilles. Remplissez la trémie pour de meilleurs résultats.
Concombre	Coupez le ou les concombres pour insertion dans la trémie.
Champignons	Empilez les champignons dans la trémie sur leurs côtés pour les tranches dans le sens de la longueur.
Oignons	Coupez les oignons en deux et remplissez la trémie, en positionnant les oignons à la verticale pour des résultats hachés grossièrement.
Pêches / Poires	Coupez les fruits en deux et évidez-les. Placez les fruits à la verticale dans la trémie et tranchez en utilisant une légère pression.
Poivrons : vert, rouge, jaune, etc.	Gardez le poivron entier, coupez la tige et enlevez les graines, gardez l'extrémité supérieure intacte. Insérez le poivron dans la trémie, extrémité intacte vers le haut, en serrant légèrement pour insertion si nécessaire. Coupez les gros poivrons en quartiers ou en lanières, selon les résultats souhaités. Tranchez les poivrons en utilisant une pression modérée.
Pepperoni	Coupez le pepperoni en longueurs de 3 po. Retirez l'enveloppe non comestible.
Pommes de terre	Pelez les pommes de terre selon les besoins. Coupez les grosses pommes de terre en deux, puis placez-les dans la trémie.
Fraises	Équeutées les fraises. Disposez les fraises sur leurs côtés pour des tranches dans le sens de la longueur.
Tomates	Utilisez de petites tomates pour les tranches entières, coupez-les en deux si nécessaire. Utilisez une pression légère, mais ferme.
Navets	Pelez les navets. Coupez les navets pour insertion dans la trémie.
Courgette	Coupez les extrémités. Utilisez une petite courge pour des tranches entières; coupez en moitié les plus grosses courgettes pour insertion dans la trémie.

PUNTOS IMPORTANTES

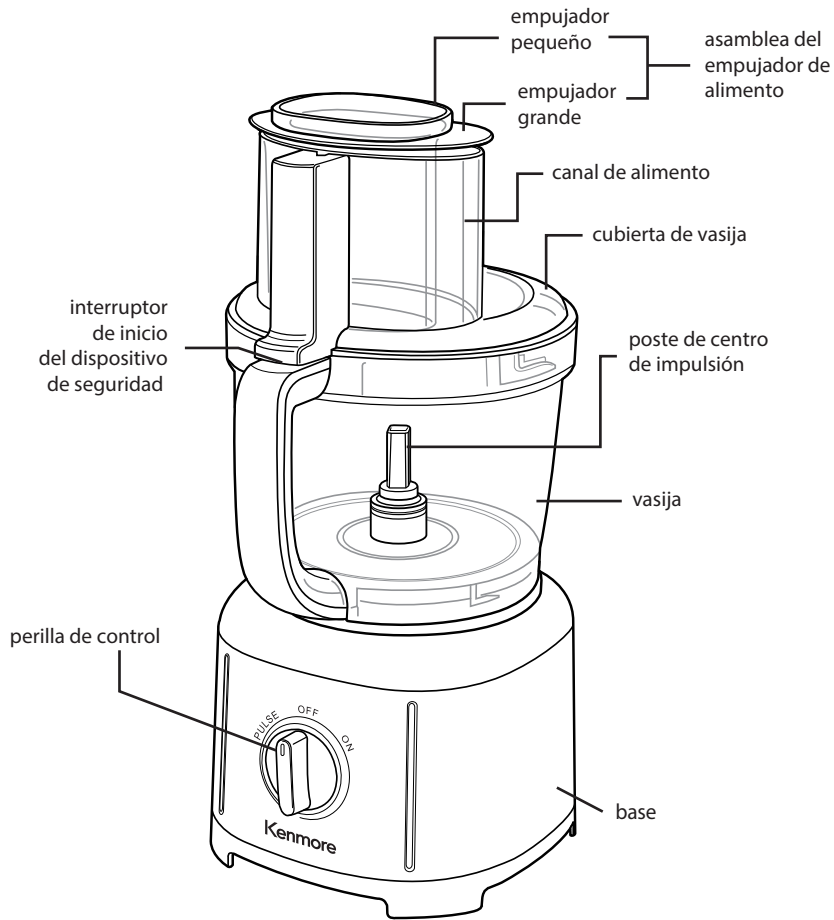
Al usar aparatos eléctricos, las medidas de seguridad básicas se deben seguir siempre, incluyendo lo siguiente:

1. LEA todas las instrucciones.
2. Para proteger contra riesgo de choque eléctrico no ponga el Procesador de alimento en agua u otro líquido.
3. La supervisión cercana es necesaria cuando cualquier aparato es usado por o cerca a niños.
4. DESENCHUFE de la toma cuando no se usa, antes de poner encima o sacar piezas, y antes de limpiar.
5. EVITE el contacto con las partes móviles.
6. NO funcione ningún aparato con una cuerda o un enchufe dañado, o después de que el aparato funcione incorrectamente o se haya caído o se haya dañado de cualquier manera. Devuelva el aparato a la instalación autorizada más cercana del servicio para la examinación, reparación o ajuste.
7. El uso de los accesorios no recomendados o no vendidos por el fabricante puede causar el fuego, descarga eléctrica o daños corporales.
8. NO utilice al aire libre.
9. NUNCA deje la cuerda colgar sobre el borde de la mesa o del contador, o toque las superficies calientes.
10. Mantenga las manos y utensilios lejos de las aspas o de los discos móviles mientras que procesa alimento para reducir el riesgo de lesión severa a las personas o daño al procesador de alimento. Un raspador se puede utilizar pero solamente debe ser utilizado cuando el procesador de alimento no está funcionando.
11. Las aspas son agudas. Maneje cuidadosamente.
12. Para reducir el riesgo de lesión, nunca coloque la aspa de cortar o los discos en la base sin primero poner la vasija correctamente en su lugar.
13. Esté seguro que la cubierta está bloqueada con seguridad en su lugar antes de funcionar el aparato.
14. NUNCA alimente el alimento con la mano. Utilice siempre el empujador de alimento.
15. No procure violar el mecanismo protección de la cubierta de seguridad .
16. Para proteger contra descarga eléctrica, este aparato se equipa de una cuerda que tiene un enchufe tipo de poner a tierra de tres dientes para la inserción en un receptáculo tipo poner a tierra apropiado. NO altere el enchufe para el uso en un receptáculo de 2 dientes. Si el enchufe no cabe en a el receptáculo, tenga el receptáculo apropiado instalado por un electricista calificado.
17. Este aparato es SOLAMENTE PARA EL USO EN CASA.

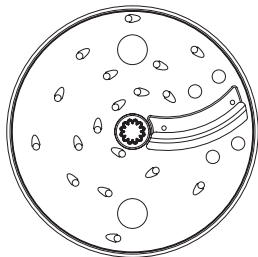
GUARDE ESTAS INSTRUCCIONES!

PARTES Y CARACTERÍSTICAS

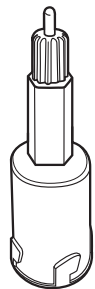
Fig. 1



disco de rebanar/desfibrar



adaptador de impulsión del disco



aspa de picar



PREPARACIÓN DE USAR

Antes de usar el procesador de alimento, lave todas las partes excepto la base en agua caliente, jabonosa. Enjuague y seque. Estas piezas también se pueden poner en el lavaplatos en el estante superior. No ponga adentro ni cerca a la cesta del utensilio.



PRECAUCIÓN

Las aspas son agudas. Maneje cuidadosamente.



PRECAUCIÓN - NUNCA ponga el motor/base del procesador de alimento en agua u otros líquidos.

NOTA - No procure picar el hielo en este procesador de alimento; dañará la vasija y desafilará la aspa de picar. Esta unidad no batirá clara de huevo a un volumen deseable, moler granos de café, especias u otros artículos con el alto contenido de aceite, o rebanar o defibrar huevos duramente cocinados, melcochas, o quesos blandos.

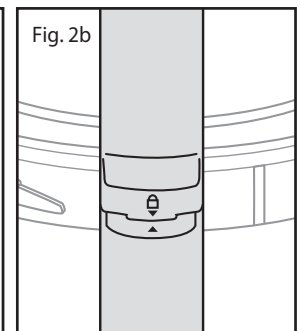
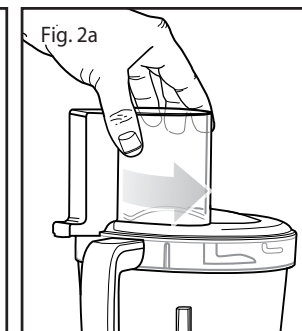
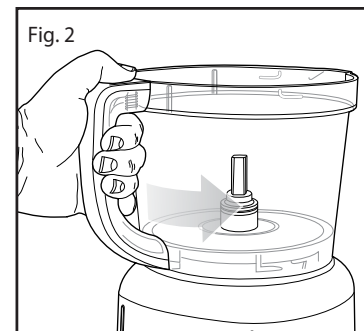
IMPORTANTE - Para su protección, esta unidad tiene un sistema de protección de seguridad. El procesador no funcionará a menos que la vasija se bloquee correctamente sobre la base y la cubierta se bloquee correctamente sobre la vasija. No procure funcionar la unidad sin la vasija, la tapa de la vasija, y la tapa del canal de alimento correctamente en su lugar.

ENSAMBLAR SU PROCESADOR DE ALIMENTO

ASAMBLEA

1. Cerciñese de que el interruptor de la perilla de control esté en la posición de Apagado y el cable eléctrico está desenchufado.
2. Sea seguro que base del procesador de alimento esté en una superficie plana, seca, limpia, estable antes de que usted comience a procesar.
3. Para montar, ponga la Vasija en la base alineando la manija de la con el icono de abrir en la base. Fije el tazón sobre la base dando vuelta al tazón a la izquierda hasta que clic en lugar. Una vez que esté fijada, la manija del tazón hace frente al frente y al centro (véase Fig. 1).

NOTA - Solamente hay una posición para que la vasija se bloquee sobre la base. La unidad no funcionará si la vasija no se bloquee sobre la base.

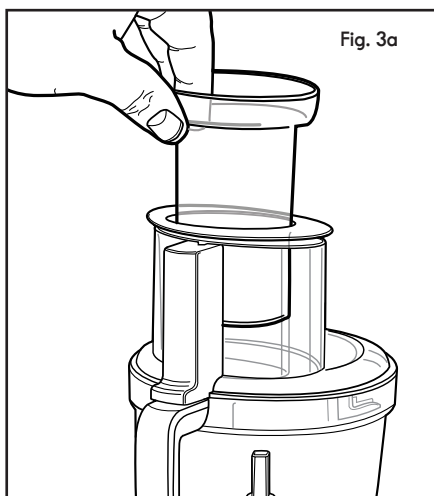
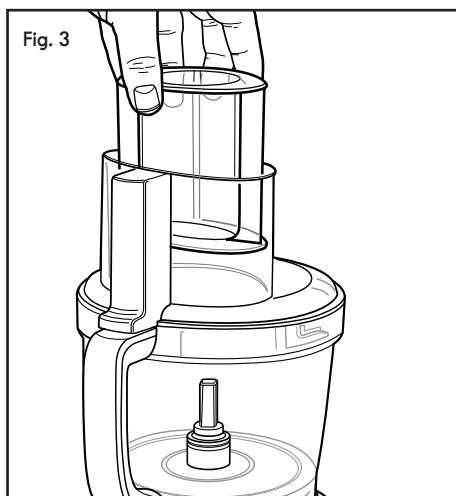


ENSAMBLAR SU PROCESADOR DE ALIMENTO

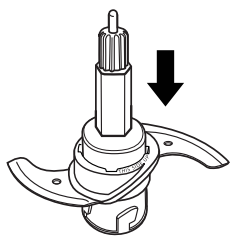
4. Ponga el montaje de Cubierta de la vasija sobre la vasija. Alinee la flecha en la Cubierta y el icono de abrir en la vasija (véase Fig. 2 y 2a). Gire la cubierta a la izquierda hacia el centro delantero hasta que haga clic.

NOTA - Solamente hay una posición para que la cubierta de la vasija se trabe sobre la vasija. La unidad no funcionará si la cubierta de la vasija no se traba sobre la vasija, o si la tapa del canal del alimento no traba sobre el canal del alimento.

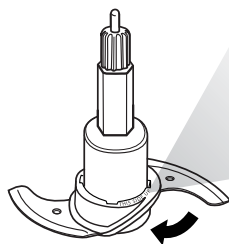
5. Hay una asamblea del empujador de alimento que consiste en un empujador grande y pequeño. Alinee la costura levantada que funciona abajo de la parte posterior del empujador grande con la ranura en el interruptor de inicio del dispositivo de seguridad. Inserte el empujador grande en el canal oval del alimento. Entonces inserte el empujador pequeño en el canal circular de alimento en el empujador grande. Vea Fig. 3 y 3a.



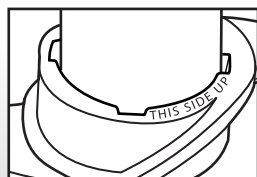
ASAMBLEA DE ASPA



1. Coloque el aspa de picar en el adaptador de impulsión del disco como se muestra en la figura.



2. Gire el aspa de picar en sentido horario hasta que esté bloqueada en su lugar.



NOTA - Asegúrese de que "THIS SIDE UP" mire hacia arriba.

FUNCIONAMIENTO DE SU PROCESADOR

CONTROLES

PULSO

- Cuando el interruptor de la perilla de control se da vuelta a la izquierda a PULSO y sostiene, el procesador de alimento funciona. Tan pronto como usted deje para ir el interruptor, el procesador se apaga y el interruptor vuelve la posición de apagado.
- Utilice PULSO para tareas cortas, tales como tajar nueces, carnes crudas o vegetales. Esto le permite mayor control de la consistencia de lo que usted está procesando.

ENCENDIDO

- Cuando el interruptor de la perilla de control se da vuelta a la derecha a ENCENDIDO, la unidad funcionará continuamente. Esto es bueno para menos alimento y artículos blandos que lleven un más tiempo de proceso.
- Cuando usted termina el proceso, gire el interruptor de la perilla de control a APAGADO.

PICAR

1. Fije la vasija sobre la base según lo descrito en Asamblea.
2. Coloque la aspa de tajar sobre el poste central (véase Fig.4).

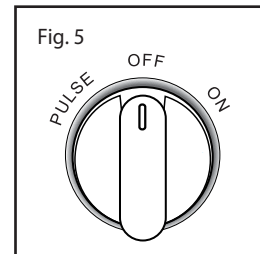
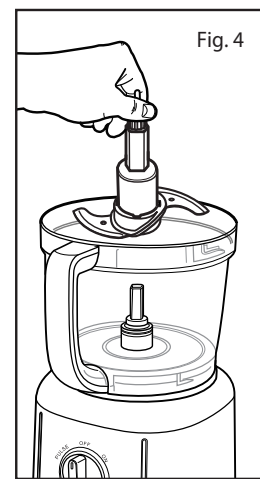


PRECAUCIÓN - Las aspas son agudas. Maneje cuidadosamente.

3. Coloque el alimento que se tajará en el tazón. Refiera a la Guía de Alimento para preparar el alimento a tajar.
4. Fije el montaje de la cubierta de vasija sobre la vasija, según lo descrito en Asamblea.
5. La perilla de control debe estar en la posición de apagado. Conecte la cuerda en un enchufe eléctrico.
6. Inserte la asamblea del empujador del alimento por lo que entrará abajo el canal oval de alimento.
7. Gire la perilla de control a ENCENDIDO para funcionar constantemente, o para un mejor control sobre la consistencia, gire y sostenga la perilla en PULSO PICAR continuado.
8. Cuando termina el proceso;
 - Si pulsa, suelte el interruptor de la perilla y la unidad para automáticamente.
 - Si usted pone el procesador a ENCENDIDO, gire el interruptor de la perilla de control a APAGADO para parar.
 - Permita que la aspa de tajar pare de rotar.
- NOTA** - Antes de abrir el Montaje de Cobierta del tazón, gire la unidad a APAGADO y desenchufe la cuerda.
9. Quite la asamblea del empujador de alimento del procesador.
10. Para quitar la cubierta de la vasija, abra giranro a la derecha hasta que la cubierta se desuna, y levante.
11. Levante la aspa picadora por su base y quítela. Abra la Vasija dándole vuelta a la derecha y levante. Vacie el alimento procesado.



ADVERTENCIA - La aspa de Picar es muy aguda. Tenga cuidado al manejar.



FUNCIONAMIENTO DE SU PROCESADOR

PARA REBANAR O DESFIBRAR



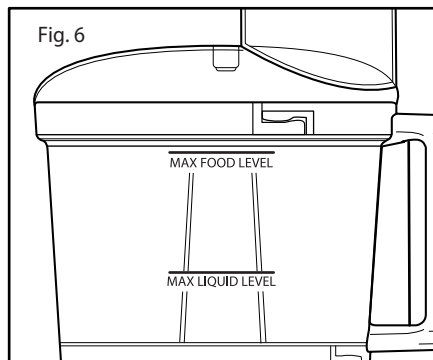
PRECAUCIÓN - Cerciórese de que interruptor de la perilla de control esté girado a APAGADO y la unidad está desenchufada antes de usar. Nunca utilice su mano para empujar el alimento en procesador. El uso de mucha presión en el empujador de alimento no acelerará la operación.

1. Fije la vasija sobre la base según lo descrito en Asamblea.
2. Resbale el adaptador de la impulsión del disco abajo sobre el poste de centro de la impulsión de la base, después coloque el disco de Rebanar/Desfibrar, con el lado deseado hacia arriba para rebanar o desfibrar, sobre el tronco del disco y empuje hacia abajo. A este punto el disco estará en la cima de la vasija.



ADVERTENCIA - El disco de Rebanar/Desfibrar es muy agudo. Tenga cuidado cuando la maneja.

3. Fije la cubierta del tazón sobre el tazón.
4. Llene el canal oval o circular de alimento con alimento. Vea la Guía de destrozarse o rebanar para los tamaños de pedazo de alimento.
 - Si usa el empujador grande, llene el canal oval de pedazos de alimentototales como patata, col, pimienta verde, tomate entero, etc., pero no sobre la línea máxima de nivel marcado en el canal (véase fig. 6).
 - Si usa el empujador pequeño, primero quítelo del empujador grande. Inserte el empujador grande hasta el final en el canal oval de alimento. Ponga los pedazos de alimento en el canal circular de alimento.



5. Conecte el cable eléctrico en un enchufe eléctrico apropiado.
6. Inicie el procesador.
 - Si usa el empujador grande, cerciórese de que esté ensamblado junto con empujador pequeño. Inserte el empujador en el canal oval de alimento a la línea máxima de nivel de modo que el empujador presione el resorte en interruptor de inicio del dispositivo de seguridad. Gire la perilla de control a ENCENDIDO para iniciar el procesador. Levante el empujador del canal para detener el procesador.
 - Si usa un empujador pequeño, el procesador comenzará a funcionar una vez que la perilla de control se gire a ENCENDIDO. Utilice el empujador pequeño para empujar el alimento a través del canal circular. Gire la perilla de control a APAGADO para detener el procesador.
7. Cuando termina el proceso de alimento, gire la perilla de control a APAGADO, desenchufe el procesador, y espere que el disco pare de rotar.



PRECAUCIÓN - Antes de abrir el montaje de cubierta de la vasija, sea seguro que usted ha APAGADO la unidad y ha desenchufado la cuerda.

FUNCIONAMIENTO DE SU PROCESADOR

PARA REBANAR O DESFIBRAR (continuado)

8. La cubierta abierta del tazón de fuente dando vuelta a la derecha, y quita el disco con el vástago del disco.



ADVERTENCIA - El rebanar/que destroza el disco es muy agudo. Tenga cuidado al dirigir.

9. Abra la vasija dando vuelta a la derecha hacia el icono de Abrir y levante la vasija. Vacíe el alimento procesado.

PARA PROCESAR ARTÍCULOS DE ALIMENTO LARGOS Y FINOS



PRECAUCIÓN - Cerciórese de que interruptor de la perilla de control esté girado a APAGADO y la unidad está desenchufada antes de usar. Nunca utilice su mano para empujar el alimento en el procesador. El uso de mucha presión no apresurará la operación.

1. Fije la vasija sobre la base según lo descrito en asamblea.
2. Resbale el tronco del disco abajo sobre el poste central de la base, después coloque el disco de rebanada/desfibrar, con el lado deseado hacia arriba para rebanar o desfibrar, sobre el tronco del disco y empuje hacia abajo. A este punto el disco estará en la cima de la vasija.



ADVERTENCIA - Los discos de Rebanar/Desfibrar son muy agudos. Tenga cuidado al manejar.

3. Fije el montaje de la cubierta de vasija sobre la vasija.
4. Quite el empujador pequeño del empujador grande. Inserte el empujador grande en el canal oval de alimento.
5. Llene el canal circular de alimento de artículos de alimento largos y finos tales como salchichones, zanahorias o apio.
6. Inserte el empujador pequeño en el canal circular de alimento sobre el alimento. Conecte la cuerda en el enchufe eléctrico.



ADVERTENCIA

El empujador del alimento debe ser utilizado siempre al procesar el alimento. NUNCA utilice la mano para empujar el alimento directamente.

7. Gire la perilla de control a ENCENDIDO, después apriétela ligeramente pero firmemente en el empujador pequeño para alimentar artículos y sobre disco de rebanada/fragmento. Cuando el canal es vacío, gire la perilla de control a APAGADO.
8. Cuando termina el proceso de alimentos, gire la perilla de control a APAGADO, desenchufe el procesador, y espere el disco para que se detenga de rotar.

FUNCIONAMIENTO DE SU PROCESADOR

PARA PROCESAR ARTÍCULOS DE ALIMENTO LARGOS Y FINOS (continuado)



PRECAUCIÓN - Antes de abrir el montaje de la cubierta de vasija, dé vuelta la unidad a APAGADO y desenchufe la cuerda.

9. Saque la cubierta de vasija y levante cuidadosamente el disco y el tronco del disco. Abra la vasija dando vuelta a la derecha hacia el icono abrir y levante la vasija. Vacíe el alimento procesado.

CONSEJOS DE PROCESAR COMIDA - LÍQUIDOS

Los alimentos y los líquidos calientes debajo de 120 °F / 49 °C se pueden procesar en la vasija. Cualquier cosa sobre esta temperatura es demasiado caliente. Sea seguro de procesar cantidades pequeñas de líquidos (2 tazas o menos) a la vez. Cantidades más grandes pueden salir de la vasija.

CUIDADO Y LIMPIEZA

NOTA: NO PROCURE afilar los filos de la ninguna aspa o disco. Se afilan permanentemente en la fábrica y serán dañados por la afiladura procurada.

1. Antes de limpiar, gire al interruptor de la perilla de control a "APAFADO" y desenchufe la cuerda al Procesador de alimento.
2. Siempre que sea posible, enjuague las partes inmediatamente después del proceso para la limpieza fácil.
3. Limpie la base, perilla de control, y los pies con un paño húmedo y seque a fondo. Los puntos resistentes pueden ser quitados frotando con un paño húmedo y un limpiador suave, no abrasivo. No sumerja la base en líquido.
4. Todas las piezas desprendibles se pueden lavar a mano o en un lavaplatos en el estante superior. No ponga adentro ni cerca a la cesta del utensilio.
5. Si lave piezas desprendibles a mano, lave en agua caliente, jabonosa, enjuague y seque a fondo.
6. En caso de necesidad utilice un cepillo de cerda nylon pequeño para cepillar a fondo la Vasija y Montaje de Cubierta de la vasija. Este tipo de cepillo también ayudará a evitar de cortarse a usted mismo en la Aspa Picadora y Disco de Rebanar/Desfibrar.
7. No utilice los soportes de rayar ásperos o limpiadores en ninguna pieza de plástico o de metal.
8. No llene la vasija con agua hirviente ni ponga cualquiera de las piezas en agua hirviente.
9. Algunos alimentos, tales como zanahorias, pueden manchar temporalmente la vasija. Para quitar manchas, haga una pasta de 2 cucharas de bicarbonato de soda y 1 cucharada de agua caliente. Aplique la pasta a las manchas y frote con un paño. Enjuague y seque.

Cualquier otro servicio debe ser hecho por un representante/delegado técnico autorizado.

GUÍA DE PICAR

ALIMENTO	CANTIDAD	DIRECCIONES
Alimentos para niños	Hasta 4 tazas (1000ml)	Agregue hasta 4 tazas de vegetales y/o carne cocinados a la vasija, junto con líquido de 1/4 tazas por taza de alimento sólido. Procese continuamente a la fineza deseada
Migas de pan	Hasta 5 rebanadas	Corte las rebanadas de pan frescas o secas en pedazos de 1 1/2 a 2 pulgadas. Agregue a la vasija y procese a migas finas.
Migas de galleta/ galletita	Hasta 5 tazas	Use para hacer migas de las galletas graham, obleas de chocolate o de vainilla
Arándanos, Picadito	3 tazas (750ml)	Pulse para picar a la fineza deseada. También puede agrega azúcar para hacer el condimento de arándano
Huevos, Picados	Hasta 12	Pelar, secar y partir en dos los huevos duros. Agregue a la vasija. Pulse para picar, revise la fineza después de 4/5 pulsos.
Ajo, Picadito	Hasta 12	Sea seguro que la vasija sea seco. Ponga el alimento en clavo (s) al canal mientras que la unidad está funcionando.
Carne, picado (Crudo o cocinado)	Hasta 2 1/2 tazas (600ml)	Corte la carne en los cubos de 1 pulgada. Agregue a la vasija y pulse para picar.
Champiñones, picado	Hasta 12 medio	Parta los grandes en dos y agregue a la vasija. Pulse a la fineza deseada.
Nueces, picados	2 tazas (300ml)	Agregue a la vasija y pulse para picar.
Cebollas, picados	Hasta 2 grandes	Cuarto y agregue a la vasija. Pulse 1 o 2 veces para picar grueso. Para las cebollas verdes, hasta 2 tazas cortadas en pedazos de 1 pulgada.
Queso pamesano o romano rallado	Hasta 1 1/2 tazas (375ml)	Permita que el queso alcance la temperatura ambiente. Corte en cubos de 1 pulgada. Agregue a la vasija y pulse al picar grueso; procese continuamente para rallar finalmente.
Perejil, picado	Hasta 2 tazas	Agregue a la vasija y pulse para picar a la fineza deseada, cerca de 10 a 15 segundos. Procese otras hierbas de la misma manera.

GUÍA DE PICAR

ALIMENTO	CANTIDAD	DIRECCIONES
Pimienta; Verde, rojo, amarillo picado	Hasta 1 pimienta	Corte en pedazos de 1 pulgada. Agregue a la vasija y pulse para picar.
Sopas, Puré o Batido	2 tazas	Agregue hasta 2 tazas (menos que 176oF) de sopa vegetal caliente para hacer puré y batir. Procese a la suavidad deseada.
Calabaza (Nogal), Calabaza o paoas dulces puré	Hasta 5 tazas, cubos de 1 pulg.	Agregue 1/4 tazas de líquido de cocinar por taza de alimento. Pulse para picar finalmente, después procese continuamente para puré.
Fresas, Puré	2 tazas	Pelar y partir las bayas grandes. Agregue a la vasija y pulse para picar. Procese continuamente para hacer puré
Tomates, Picados	4 medio	Cuartos de tomates . Agregue hasta 4 y pulse al tamaño deseado.

GUÍA DE DESFIBRAR

ALIMENTO	DIRECCIONES
Col	Utilice el disco desfibrador para el col o ensalada de col muy fina. Corte en pedazos para caber en el canal. Desfibre usando la presión ligera. Vacie ña vasija como col alcance el disco.
Zanahorias	Posición en canal y desfibre.
Queso, Cheddar	El queso debe ser bien enfriado. Corte para caber en el canal.
Queso, Mozarella	El queso se debe enfriar en el congelador por 30 minutos antes de desfibrar. Corte para caber en el canal. Utilice la presión ligera.
Papas	Corte para caber en el canal.
Calabacín	Corte para caber en el canal, longitudinalmente u horizontalmente.

GUÍA DE REBANAR

ALIMENTO	DIRECCIONES
Manzana	Parta en dos y apile horizontalmente en canal. Utilice la presión firme.
Col/Lechuga	Parta en dos la cabeza, corte para caber en el canal.
Zanahorias	Corte para caber en el canal
Apio	Quite la secuencia. Embale el canal inclinado para los mejores resultados.
Pepino	Corte para caber el canal inclinado en caso de necesidad.
Champiñones	Apile el canal con los champiñones en sus lados para las rebanadas longitudinales.
Cebollas	Parta en dos y llene el canal, colocando las cebollas verticalmente para los resultados grueso picados.
Melocotones/Peras	Parta en dos y quite el corazón. Coloque hacia arriba en el canal y rebane usando la presión ligera.
Pimientas; Verde, Rojo, Amarillo, etc.	Mantenga entero, corte la punta de tallo y semilla, mantenga el extremo superior intacto. Ponga la pimienta en el canal, intacte el final hacia arriba, exprimiendo levemente para caber en caso de necesidad. Corte unos grandes en cuartos o tiras, dependiendo de los resultados deseados. Rebane con la presión moderada.
Salchichones	Corte en longitudes de 3 pulgadas. Quite la cubierta no comestible.
Papas	Pele si está deseado. Coloque en el canal, cortando las papas grandes por la mitad.
Fresas	Pele. Arregle las bayas en sus lados para las rebanadas longitudinales.
Tomates	Utilice los tomates pequeños para las rebanadas enteras, pártalos en dos en caso de necesidad. Utilice suavemente, solamente presión firme.
Nabos	Pelar. Corte los nabos para caber en el canal.
Calabacín	Cortar los extremos. Utilice la calabaza pequeña para las rebanadas enteras; parta en dos los más grandes para caber en el canal.