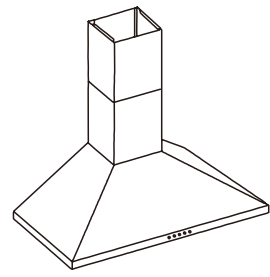


FRIGIDAIRE



RANGE HOOD

use & care

Installation Instructions

A06823704 (April 2025)

Welcome to our family

Thank you for bringing Frigidaire into your home! We see your purchase as the beginning of a long relationship together.

This manual is your resource for the use and care of your product. Please read it before using your appliance. Keep it handy for quick reference. If something doesn't seem right, the troubleshooting section will help you with common issues.

FAQs, helpful tips and videos, cleaning products, and kitchen and home accessories are available at www.frigidaire.com.

We are here for you! Visit our website, chat with an agent, or call us if you need help. We may be able to help you avoid a service visit. If you do need service, we can get that started for you.

Keep your product info here so it's easy to find.

Model Number: _____

Serial Number: _____

Purchase Date: _____

Let's make it official! Be sure to register your product.

Visit us at Frigidaire.com/register

Or use your mobile device to scan the QR code.



Installation Checklist

- Read all the safety instructions in the front of your Use & Care Manual.
- Remove all packaging materials from your range hood before use.
- Confirm that the electrical power to the appliance is turned on.
- Test range hood control to make sure it is working properly.
- Remember to complete your product registration!



Read all instructions before using this appliance.

Save these instructions for future references.

Approved for residential appliances.

For residential use only.


This manual contains important safety symbols and instructions. Please pay attention to these symbols and follow all instructions given.

Do not attempt to install or operate your appliance until you have read the safety precautions in this manual. Safety items throughout this manual are labeled with a WARNING or CAUTION statement based on the risk type.

Warnings and important instructions appearing in this guide are not meant to cover all possible conditions and situations that may occur. Common sense, caution, and care must be exercised with installing, maintaining, or operating your appliance.

Always wear work gloves for all installation and maintenance operations

DEFINITIONS

 This is the safety alert symbol. It is used to alert of potential personal injury hazards. Obey all safety messages that follow this symbol to avoid possible injury or death.

WARNING

This symbol alerts you to situations that may cause serious body harm, death or property damage.

CAUTION

Indicates a potentially hazardous situation which, if not avoided, may result in minor or moderate injury.

IMPORTANT

Indicates installation, operation or maintenance information which is important but not hazard-related.

NOTE

Indicates a short, informal reference - something written down to assist the memory or for future reference.

4

IMPORTANT SAFETY INSTRUCTIONS

IMPORTANT INSTRUCTIONS FOR UNPACKING AND INSTALLATION

CAUTION

FOR GENERAL VENTILATING USE ONLY. DO NOT USE TO EXHAUST HAZARDOUS OR EXPLOSIVE MATERIALS OR VAPORS.

IMPORTANT

Read and follow the below instructions and precautions for unpacking, installing, and servicing your appliance.

CAUTION

To reduce risk of fire and to properly exhaust air, be sure to duct air outside - do not vent exhaust air into spaces within walls, ceilings, attics, crawl spaces, or garages.

WARNING

TO REDUCE THE RISK OF FIRE, USE ONLY METAL DUCT WORK.

Install this hood in accordance with all requirements specified.

WARNING

TO REDUCE THE RISK OF FIRE, ELECTRIC SHOCK, OR INJURY TO PERSONS, OBSERVE THE FOLLOWING:

a) Installation work and electrical wiring must be done by qualified person(s) in accordance with all applicable codes and standards, including fire-rated construction.

b) Sufficient air is needed for proper combustion and exhausting of gases through the flue (chimney) of fuel burning equipment to prevent back drafting. Follow the heating equipment manufacturer's guideline and safety standards such as those published by the National Fire Protection Association (NFPA), and the American Society for Heating, Refrigeration and Air Conditioning Engineers (ASHRAE), and the local code authorities.

c) When cutting or drilling into wall or ceiling, do not damage electrical wiring and other hidden utilities.

d) Ducted fans must always be vented to the outdoors.

WARNING

To Reduce The Risk Of Fire Or Electric Shock, Do Not Use This Hood With Any External Solid State Speed Control Device.

WARNING

TO REDUCE THE RISK OF FIRE, ELECTRIC SHOCK, OR INJURY TO PERSONS, OBSERVE THE FOLLOWING:

a) Use this unit only in the manner intended by the manufacturer. If you have questions, contact the manufacturer.

b) Before servicing or cleaning unit, switch power off at service panel and lock the service disconnecting means to prevent power from being switched on accidentally. When the service disconnecting means cannot be locked, securely fasten a prominent warning device, such as a tag, to the service panel.

 **WARNING**

TO REDUCE THE RISK OF INJURY TO PERSONS, IN THE EVENT OF A RANGE TOP GREASE FIRE, OBSERVE THE FOLLOWING:

a) **SMOTHER FLAMES** with a close - fitting lid, cookie sheet, or other metal tray, then turn off the gas burner or the electric element.

BE CAREFUL TO PREVENT BURNS. If the flames do not go out immediately, **EVACUATE AND CALL THE FIRE DEPARTMENT.**

b) **NEVER PICK UP A FLAMING PAN** - you may be burned.

c) **DO NOT USE WATER**, including wet dishcloths or towels - a violent steam explosion will result.

d) Use an extinguisher **ONLY** if:

- 1) You know you have a class ABC extinguisher, and you already know how to operate it.
- 2) The fire is small and contained in the area where it started.
- 3) The fire department is being called.
- 4) You can fight the fire with your back to an exit.

OPERATION

Always leave safety grills and filters in place.

Without these components, operating blowers could catch onto hair, fingers and loose clothing.

The manufacturer declines all responsibility in the event of failure to observe the instructions given here for installation, maintenance and suitable use of the product. The manufacturer further declines all responsibility for injury due to negligence and the warranty of the unit automatically expires due to improper maintenance.

 **WARNING**

TO REDUCE THE RISK OF A RANGE TOP GREASE FIRE.

a) Never leave surface units unattended at high settings. Boilovers cause smoking and greasy spillovers that may ignite. Heat oils slowly on low or medium settings.

b) Always turn hood ON when cooking at high heat or when flambéing food (i.e. Crepes Suzette, Cherries Jubilee, Peppercorn Beef Flambe’).

c) Clean ventilating fans frequently. Grease should not be allowed to accumulate on fan or filter.

d) Use proper pan size. Always use cookware appropriate for the size of the surface element.

 **NOTE**

This appliance is not intended for use by persons (including children) with reduced physical, sensory or mental capabilities, or lack of experience and knowledge, unless they have been given supervision or instruction concerning use of the appliance by a person responsible for their safety.

 **NOTE**

Children should be supervised to ensure that they do not play with the appliance.

6

IMPORTANT SAFETY INSTRUCTIONS

GROUNDING INSTRUCTIONS

WARNING

- Avoid fire hazard or electrical shock. Failure to follow this warning may cause serious injury, fire, or death.
- Avoid fire hazard or electrical shock. Do not use an adapter plug, use an extension cord, or remove grounding prong from the power cord. Failure to follow this warning may cause serious injury, fire, or death.

Observe all governing codes and ordinances.

Ensure that the electrical installation is adequate and in conformance with National Electrical Code, ANSI/NFPA 70 (latest edition), or CSA Standards C22.1-94, Canadian Electrical Code, Part 1 and C22.2 No. 0-M91 (latest edition) and all local codes and ordinances.

If codes permit and a separate ground wire is used, it is recommended that a qualified electrician determine that the ground path is adequate.

A copy of the above code standards can be obtained from:

National Fire Protection Association

One Batterymarch Park

Quincy, MA 02269

CSA International

8501 East Pleasant Valley Road
Cleveland, OH 44131-5575.

- A 120 volt, 60 Hz., AC only, 15-amp, fused electrical circuit is required.
- If the house has aluminum wiring, follow the procedure below:
 1. Connect a section of solid copper wire to the pigtail leads.
 2. Connect the aluminum wiring to the added section of copper wire using special

connectors and/or tools designed and UL listed for joining copper to aluminum.

Follow the electrical connector manufacturer's recommended procedure. Aluminum/copper connection must conform with local codes and industry accepted wiring practices.

- Wire sizes and connections must conform with the rating of the appliance as specified on the model/serial rating plate.

The model/serial plate is located on the left side of the range hood.

- Wire sizes must conform to the requirements of the National Electrical Code ANSI/NFPA 70 — latest edition*, or CSA Standards C22.1-94, Canadian Electrical Code Part 1 and C22.2 No. 0-M91 - latest edition** and all local codes and ordinances.

If provided with an electrical plug, connect the hood to a receptacle that complies with current regulations and placed in an accessible position. Where an electrical plug is not provided (direct connection to electrical network) or the plug will not be in an accessible position after installation, place an approved bipolar switch in accessible position that provides full disconnection under overvoltage category III conditions, in accordance with local wiring rules.

It is the personal responsibility of the consumer to have the appropriate outlet or junction box with the correct, properly grounded wall receptacle installed by a qualified electrician. It is the responsibility and obligation of the consumer to contact a qualified installer to assure that the electrical installation is adequate and is in conformance with all local codes and ordinances.

**IMPORTANT INSTRUCTIONS FOR
CLEANING YOUR APPLIANCE** **CAUTION**

Before manually cleaning any part of the appliance, be sure all controls are turned off and the appliance is cool. Cleaning a hot appliance can cause burns.

Clean the appliance regularly to keep all parts free of grease that could catch fire. Do not allow grease to accumulate. Greasy deposits in the fan could catch fire.

Always follow the manufacturer's recommended directions for use of kitchen cleaners and aerosols. Be aware that excess residue from cleaners and aerosols may ignite causing damage and injury.

Clean ventilating hoods frequently - Grease should not be allowed to accumulate on hood or filter.

**IMPORTANT INSTRUCTIONS FOR
SERVICE AND MAINTENANCE**

Do not repair or replace any part of the appliance unless specifically recommended in the manuals. All other servicing should be done only by a qualified technician. This reduces the risk of personal injury and damage to the appliance.

Always contact your dealer, distributor, service agent, or manufacturer about problems or conditions you do not understand.

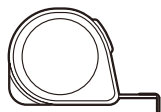
Ask your dealer to recommend a qualified technician and an authorized repair service. Know how to disconnect the power to the appliance at the circuit breaker or fuse box in case of an emergency.

Do not touch a hot light bulb. Doing so could cause the bulb to break. Handle halogen lights (if equipped) with paper towels or soft gloves. Disconnect the appliance or shut off the power to the appliance before removing and replacing the bulb.

 **WARNING**

California Residents: for cancer and reproductive harm information, visit www.P65Warnings.ca.gov

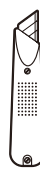
TOOLS REQUIRED



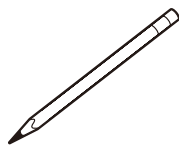
Measuring tape



Level



Utility knife



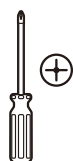
Pencil



Duct Tape



Adjustable wrench



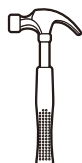
Phillips screwdriver



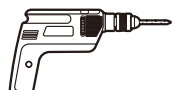
Flathead screwdriver



Needle nose pliers



Hammer



Electric drill



Safety goggles



Safety gloves

HARDWARE INCLUDED



NOTE: Hardware not shown to actual size.

Part	Picture	Description	Qty
AA1		long screw ST3.5*50	6
BB1		Wall Anchor	6
AA2+BB2		toggle bolt and wing nut M5*75	6
AA3		Wood Screws ST4.8*40	6
CC		Chimney mounting Bracket screws M4*10	2
DD		Strain relief	1

PACKAGE CONTENTS

Note:

Use appropriate mounting hardware depending on wall construction.

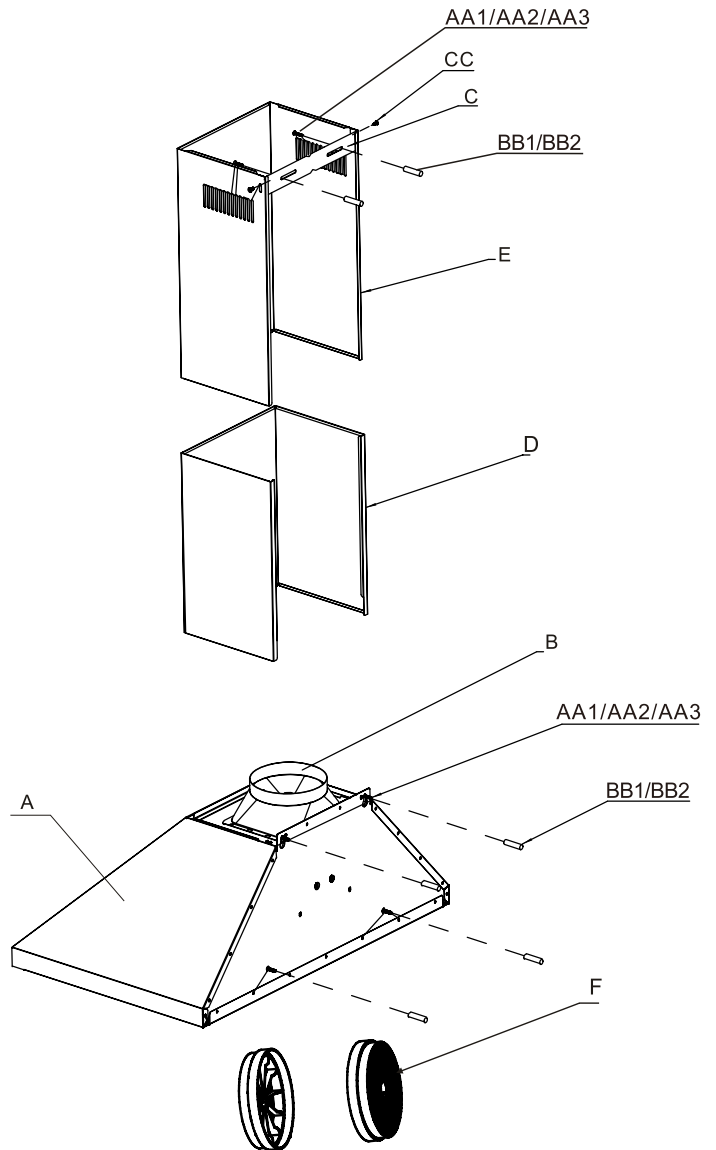
Options:

- AA1 + BB1 (drill pilot hole size \varnothing 11mm)
- AA2 + BB2 (drill pilot hole size \varnothing 16mm)
- AA3 (attach to wood stud)

Spare Parts

- 30" Grease Filter Part Number 4056022975
- 36" Grease Filter Part Number 4056022983
- Charcoal Filter Part Number 5304539515
- Bulb Part Number 4056022967

To order parts call 800-599-7569



Part	Description	Quantity
A	Range hood (including filters and lamps)	1
B	Outlet adapter and Damper	1
C	Chimney mounting bracket	1
D	Bottom chimney	1
E	Top chimney	1
F	Charcoal filter (for recirculation only)	2

Accessory Not Included:

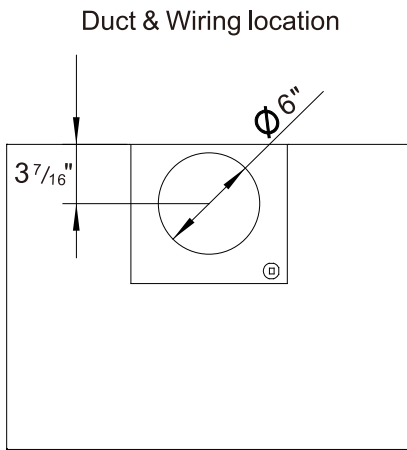
For 10' ceilings, see accessory FHW10X75LS hood extension

FHWC3075LS

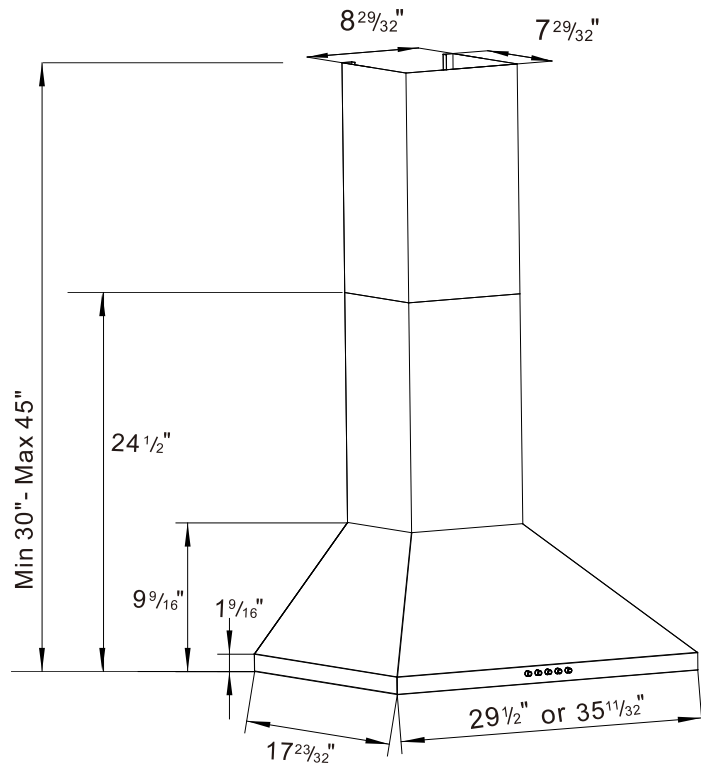
Dimensions	Volts	Hertz	Fan CFM	Speeds	Light Wattage	Stainless Steel Grade
29.5 Inches W	120	60	350	High	5	430
17.7 Inches D				Medium		
30- 45 Inches H				Low		

FHWC3675LS

Dimensions	Volts	Hertz	Fan CFM	Speeds	Light Wattage	Stainless Steel Grade
35.4 Inches W	120	60	350	High	5	430
17.7 Inches D				Medium		
30- 45 Inches H				Low		



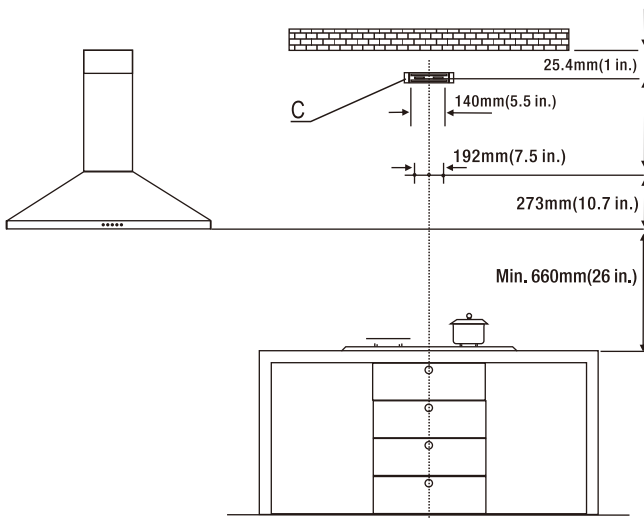
Wiring should enter the back wall at least 20" above the bottom of the hood at height install and be contained within the flue covers. It is best if the wiring is located offset to the right of center to avoid interference with ducting



Note: For 10' ceilings, see accessory FHW10X75LS hood extension.

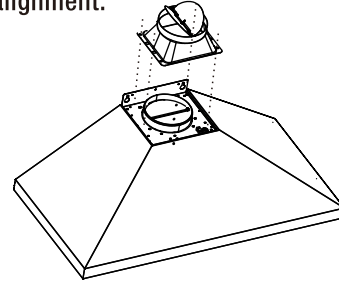
1 INSTALLATION DRILLING AND LINING

1. Draw a vertical line on the supporting wall up to the ceiling, or as high as practical, at the center of the area in which the hood will be installed.
2. Draw a horizontal line at minimum 26 in. above the cooking surface.
3. Place chimney mounting bracket (C) on the wall as shown about 1 in. from the ceiling or upper limit aligning the center (notch) with the vertical reference line.

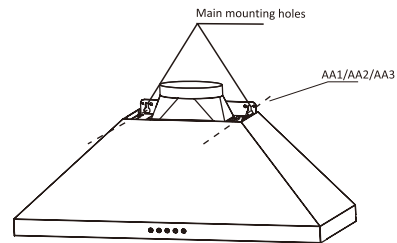


2 MOUNTING THE HOOD

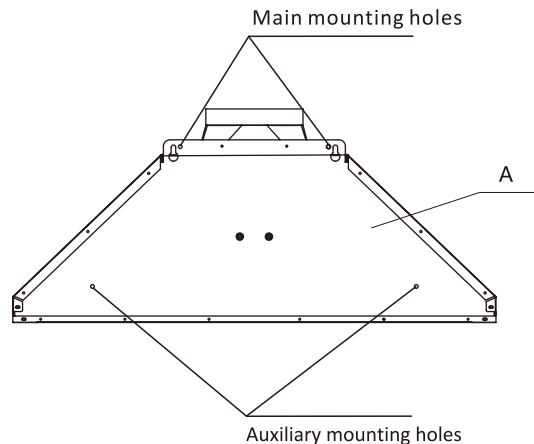
1. Remove the 4 screws on the top and mount the outlet adapter with these 4 screws. Loosely install screws in diagonal pattern before tightening to ensure proper alignment.



2. Mount the two hood body mounting screws with drywall anchors into the wall along the line that is 10.7 in. above the horizontal line. Ensure the screws and anchors are parallel with the horizontal line. Do not tighten screws all the way. Screws heads must be proud to hang the hood.



3. Hook the hood body (A) onto the screws mounted onto the wall and securely tighten the screws to secure it to the wall. Install two additional hood body mounting screws into the auxiliary mounting holes through the inside of the hood.
4. Mounting holes to secure the hood body (A) in place.



3 DUCT FIXING



CAUTION: To reduce the risk of fire, metal ductwork is preferred.

- Attach an adequate length of ϕ 6 in. round duct on the top the outlet adapter.
- Check and properly tape all joints on duct work to ensure proper connections with duct tape.

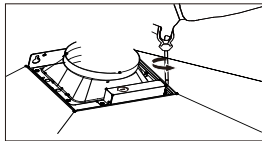
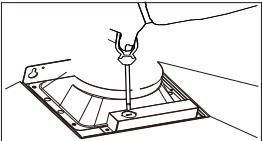
4 ELECTRICAL CONNECTION



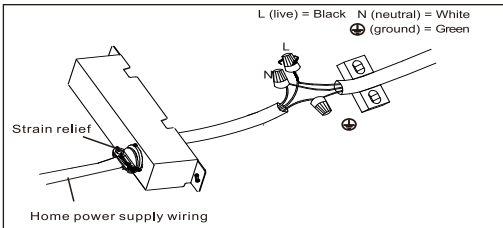
WARNING

Electrical Shock Hazard
Disconnect power before servicing.
Replace all parts and panels before operating.
Failure to do so can result in death or electrical shock.

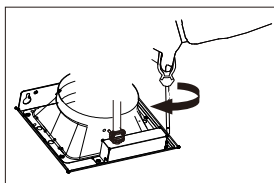
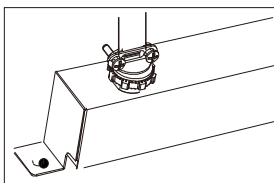
- Remove the strain relief hole cover in the junction box and remove the junction box by releasing short screws.



- Install UL/CSA approval strain relief to the junction box and run home power supply wiring through strain relief into the junction box.
- Use UL listed wire connectors and connect white wires(N) together.
- Use UL listed wire connectors and connect black wires(L) together.
- Use UL listed wire connectors and connect bare ground wire from power supply to green ground wire.



- Tighten the strain relief screws and mount the junction box on the range hood using 2 short screws.



WARNING

Fire Hazard

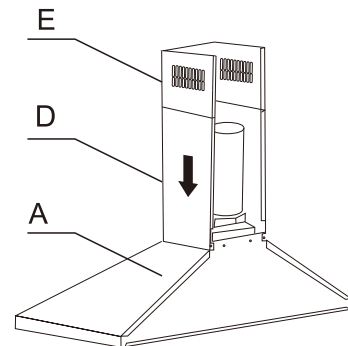
Electrically ground the blower. Use copper wire.

Connect ground wire to green ground screw in terminal box. Failure to do so can result in death, fire or electrical shock.

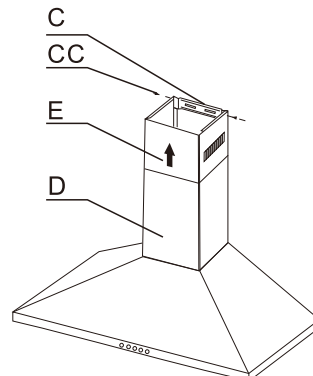
Electrical wiring must be done by a qualified person(s) in accordance with all applicable codes and standards.

5 TELESCOPIC CHIMNEY ASSEMBLY

- Chimney Bottom: Carefully slide the chimney bottom (D) down outside the chimney top (E) partly, and then carefully place the chimney bottom (D) into the recessed area of the hood body (A) top.



- Chimney Top: Ensure the chimney mounting bracket (C) is securely attached to the wall. Raise the chimney top (E) up inside the chimney bottom (D). Secure the chimney top (E) to the chimney mounting bracket (C) with chimney mounting bracket screws (CC) from two sides.



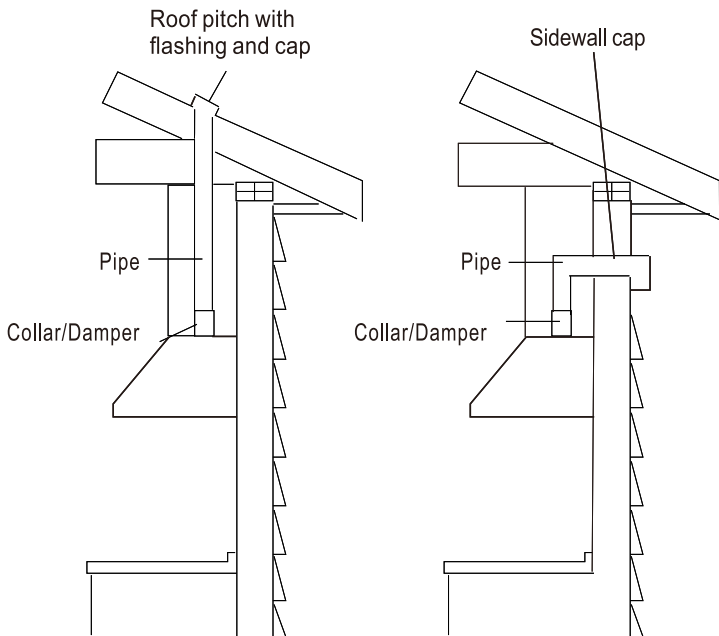
6 EXHAUST CONNECTIONS

DUCTED MODE



CAUTION: To reduce the risk of fire, metal ductwork required.

- For safety reasons when ducting outdoors (not using a recirculation kit), Ducting must vent directly outdoors (not into an attic, underneath the house, into the garage or into any enclosed space).
- Keep duct runs as short and straight as possible.
- Duct fitting (elbows and transitions) reduce air flow efficiency.
- Back to back elbow and “S” turns give very poor delivery and are not recommended.
- Use a suitable 6" round duct.
- Flex metal ducts are not recommended.

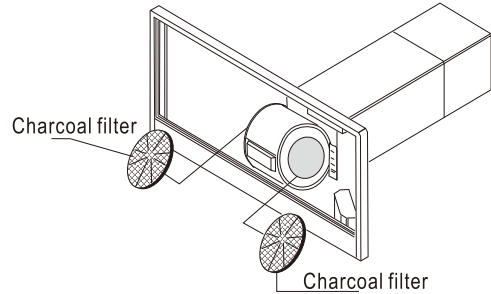


NON-DUCTED MODE

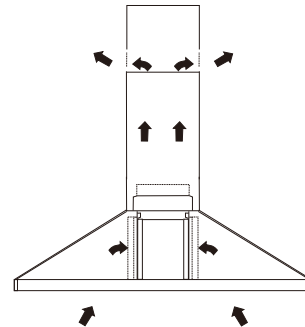


CAUTION: Do not use plastic or rigid metal ducting.

1. Install the charcoal filters on the center the center post of the blower motor.



2. Please note that the air will flow out from the two grids on the two sides of the chimney top.



Complete Installation

1. Replace grease filter if removed. See the “Range Hood Care” section.
2. Check the operation of the range hood fan and light. See “Range Hood Use” section. If range hood does not operate, check to see whether a circuit breaker has tripped or a household fuse has blown. Disconnect power and check wiring connections.

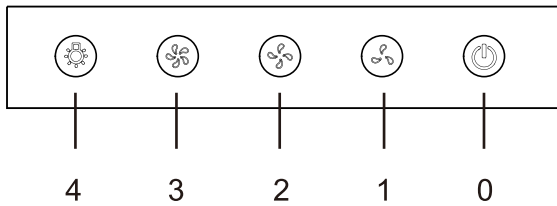


NOTE

To get the most efficient use from your new range hood, read the “Range Hood Use” section.

1 OPERATION OF CONTROLS

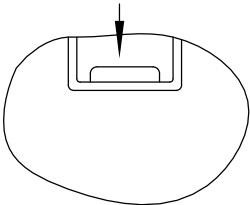
1. The hood is operated using the push buttons on the front panel.
2. The light switch (4) turns the lamps on and off.
3. The blower switch (1,2,3) turns the blower on to three speed settings:
 - 0 - OFF
 - 1 - LOW SPEED
 - 2 - MEDIUM SPEED
 - 3 - HIGH SPEED
 - 4 - LIGHT
4. The power button does not turn on the blower. It only turns off the blower after a fan speed selection is made using buttons 1, 2, or 3.



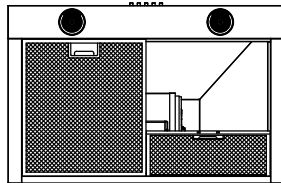
ALUMINUM GREASE FILTER

- The grease filters should be cleaned frequently (every two months of operation, or more frequently for heavy use). Use a warm detergent solution.
- Grease filters are washable. (For dishwasher, top rack only.)

(1) PUSH IN



(2) LIFT OUT



1. Remove the grease filters one by one by pushing in each latch. This will disengage the filter from the hood. Tilt the filter downward and remove.
2. Wash the filters, taking care not to bend them. Allow them to be dry before refitting.
3. When refitting the filters, make sure that the latch is visible from the outside.
4. To install the grease filter, align rear filter tabs with slots in the hood. Push down the latch, push filter into position and release. Make sure the filter is securely engaged after assembly.

NON-DUCTED RECIRCULATION CHARCOAL FILTER

Do not use in ducted installation.

- This charcoal filter is not washable, cannot be regenerated, and should be replaced approximately every 3 months of operation, or more frequently in the case of heavy usage.

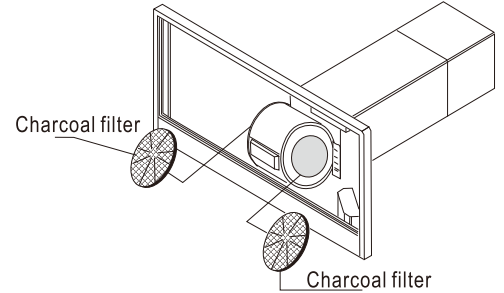
30" Grease Part Number: 4056022975

36" Grease Part Number: 4056022983

30" & 36" Charcoal Filter Part Number: 5304539515

To order parts call 800-599-7569

1. Remove the grease filters.
2. The charcoal filters must be applied to the suction unit inside the hood, center them inside of the blower motor and turning them 90 degrees until they lock into place.
3. Put the grease filters back in place.



LIGHTING



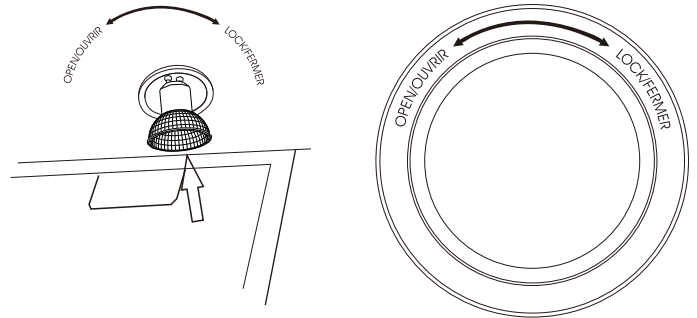
WARNING: Always switch off the electrical supply before carrying out any operation on the appliance.



CAUTION: The surface of the LED lamps may be hot. Take care when doing the replacement.

- This range hood requires two LED lamps (120V, GU10, 5W).
- To change LED lamps:
 1. Switch off power and wait for 5 minutes until the bulbs cool down.
 2. Wear gloves and remove bulb as follows

- Place your hands so that your fingers are on top of the hood and center both thumbs on the bulb lens.
- Use both thumbs to rotate the bulb counter-clockwise 1/2 turn.
- Use cautions the bulb will drop freely.
- Carefully remove and reinstall replacement bulb in reverse.
- Bulb part number: 4056022967
- To order parts call 800-599-7569





WARNING: Failure to maintain basic standards of care and cleaning of the range hood will increase the risk of fire .

The range hood should be cleaned regularly internally and externally to preserve its appearance and performance.

Do

- Clean the range hood periodically with hot, soapy water and a clean cotton cloth.
- Always clean in the direction of metal grain.
- Always rinse well with clean water two or three times after cleaning. Wipe completely dry with a soft, micro fiber cloth.
- After cleaning, you may polish with a non-abrasive stainless steel polish or cleaner. Always rub lightly and with the grain.
- Ensure that the venting system is free of debris, if you have one.

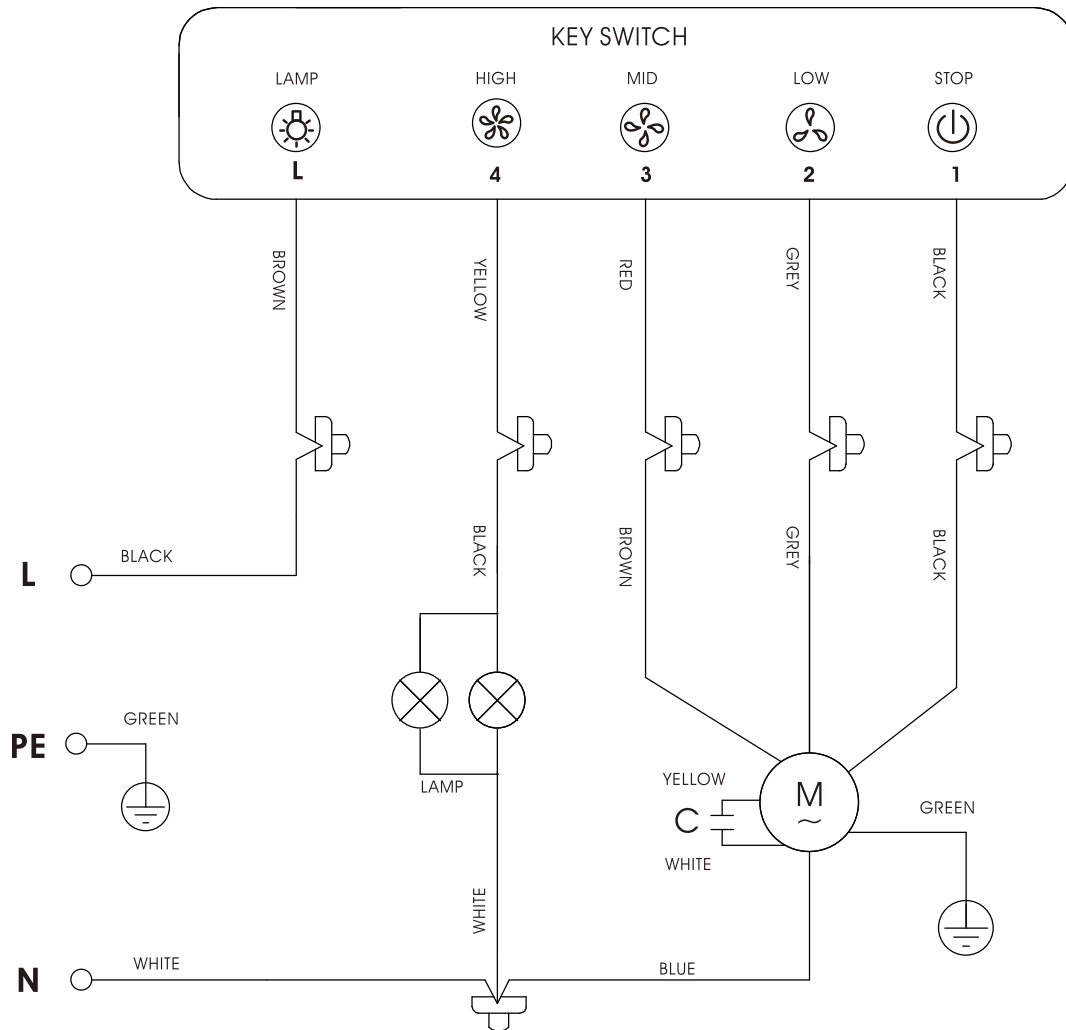
Do Not

- Do not use corrosive or abrasive detergents, or any products containing chloride, fluoride, iodide, or bromide on this product, as they will deteriorate the surface rapidly.
- Do not allow cleaning compounds, salt solutions, disinfectants, or bleaches to remain in contact with the product for extended periods of time.
- Do not allow deposits to remain for long periods of time on the range hood. Rinse with water immediately and wipe dry with a clean cloth.
- Do not leave the range hood dirty for long periods of time or allow dirt to accumulate.
- Do not let plaster dust or any other construction residue enter the hood. During construction or renovation, cover the hood.
- Combustible products used for cleaning, such as acetone, alcohol, ether, or benzyl, are highly explosive and should never be used close to a range or stove .



DANGER: Turn off the power circuit breaker or the power switch on the junction box before installing or servicing this unit. Touching circuitry inside the range hood while it is energized will result in death or serious injury.

Problem	Solution
The range hood will not operate.	<ul style="list-style-type: none"> <input type="checkbox"/> Check that the power supply cable and all electrical wiring are properly connected. <input type="checkbox"/> Check that the power is turned on at the junction box or circuit breaker. <input type="checkbox"/> Check that the wiring between the switch board and the control board are connected properly.
The range hood vibrates when the fan is operating.	<ul style="list-style-type: none"> <input type="checkbox"/> Check that the range hood has been secured properly to the wall or cabinet. Tighten it into position, if necessary. <input type="checkbox"/> Check that the motor is secured in place. If not, then tighten the motor in place. <input type="checkbox"/> Check that the fan is not damaged. If so, replace the fan.
The fans seem weak.	<ul style="list-style-type: none"> <input type="checkbox"/> Check that the duct size used is at least 152 mm (6 in.). The range hood will not function efficiently with insufficient duct size. <input type="checkbox"/> Check that the duct is not clogged with debris and the tight mesh on the wall cap, if applicable, isn't restricting air flow. <input type="checkbox"/> Check that the damper unit is opening properly, if applicable.
The lights work, but the fan is not spinning, is stuck, or is rattling.	<ul style="list-style-type: none"> <input type="checkbox"/> The lights work, but the fan is not spinning, is stuck, or is rattling. <input type="checkbox"/> Check that the fan isn't jammed or scraping the bottom. <input type="checkbox"/> If nothing else works, the motor may be defective or seized. If so, replace the motor.
The range hood is not venting properly.	<ul style="list-style-type: none"> <input type="checkbox"/> Check that the distance between the cook top and the bottom of the range hood is min. at 26 in. <input type="checkbox"/> Check that duct work follows all requirements. Use metal duct work with a uniform diameter of 150 mm (6 in.). Reduce the length of duct work and the number of elbows if necessary. Ensure that all joints are properly connected, sealed, and taped. <input type="checkbox"/> Check that the duct does not open against the wind. <input type="checkbox"/> Ensure that the power is on high speed for heavy cooking. <input type="checkbox"/> Wind from opened windows or doors may affect the performance of the range hood. Close windows and doors to eliminate outside air flow.
A light does not work.	<ul style="list-style-type: none"> <input type="checkbox"/> Check the light bulb to see if it is loose. If so, tighten. <input type="checkbox"/> Remove the problem bulb and insert one you know is working. If the properly functioning light does not come on, the problem may be the light assembly. Have the light assembly serviced or replaced.



Your appliance is covered by a one year limited warranty. For one year from your original date of purchase, Electrolux will pay all costs for repairing or replacing any parts of this appliance that prove to be defective in materials or workmanship when such appliance is installed, used and maintained in accordance with the provided instructions.

Exclusions

This warranty does not cover the following:

1. Products with original serial numbers that have been removed, altered or cannot be readily determined.
2. Product that has been transferred from its original owner to another party or removed outside the USA or Canada.
3. Rust on the interior or exterior of the unit.
4. Products purchased "as-is" are not covered by this warranty.
5. Food loss due to any refrigerator or freezer failures.
6. Products used in a commercial setting.
7. Service calls which do not involve malfunction or defects in materials or workmanship, or for appliances not in ordinary household use or used other than in accordance with the provided instructions.
8. Service calls to correct the installation of your appliance or to instruct you how to use your appliance.
9. Expenses for making the appliance accessible for servicing, such as removal of trim, cupboards, shelves, etc., which are not a part of the appliance when it is shipped from the factory.
10. Service calls to repair or replace appliance light bulbs, air filters, water filters, other consumables, or knobs, handles, or other cosmetic parts.
11. Surcharges including, but not limited to, any after hour, weekend, or holiday service calls, tolls, ferry trip charges, or mileage expense for service calls to remote areas, including the state of Alaska.
12. Damages to the finish of appliance or home incurred during installation, including but not limited to floors, cabinets, walls, etc.
13. Damages caused by: services performed by unauthorized service companies; use of parts other than genuine Electrolux parts or parts obtained from persons other than authorized service companies; or external causes such as abuse, misuse, inadequate power supply, accidents, fires, or acts of God.

DISCLAIMER OF IMPLIED WARRANTIES; LIMITATION OF REMEDIES

CUSTOMER'S SOLE AND EXCLUSIVE REMEDY UNDER THIS LIMITED WARRANTY SHALL BE PRODUCT REPAIR OR REPLACEMENT AS PROVIDED HEREIN. CLAIMS BASED ON IMPLIED WARRANTIES, INCLUDING WARRANTIES OF MERCHANTABILITY OR FITNESS FOR A PARTICULAR PURPOSE, ARE LIMITED TO ONE YEAR OR THE SHORTEST PERIOD ALLOWED BY LAW, BUT NOT LESS THAN ONE YEAR. ELECTROLUX SHALL NOT BE LIABLE FOR CONSEQUENTIAL OR INCIDENTAL DAMAGES SUCH AS PROPERTY DAMAGE AND INCIDENTAL EXPENSES RESULTING FROM ANY BREACH OF THIS WRITTEN LIMITED WARRANTY OR ANY IMPLIED WARRANTY. SOME STATES AND PROVINCES DO NOT ALLOW THE EXCLUSION OR LIMITATION OF INCIDENTAL OR CONSEQUENTIAL DAMAGES, OR LIMITATIONS ON THE DURATION OF IMPLIED WARRANTIES, SO THESE LIMITATIONS OR EXCLUSIONS MAY NOT APPLY TO YOU. THIS WRITTEN WARRANTY GIVES YOU SPECIFIC LEGAL RIGHTS. YOU MAY ALSO HAVE OTHER RIGHTS THAT VARY FROM STATE TO STATE.

If You Need Service

Keep your receipt, delivery slip, or some other appropriate payment record to establish the warranty period should service be required. If service is performed, it is in your best interest to obtain and keep all receipts. Service under this warranty must be obtained by contacting Electrolux at the addresses or phone numbers below.

This warranty only applies in the USA and Canada. In the USA, your appliance is warranted by Electrolux Major Appliances North America, a division of Electrolux Home Products, Inc. In Canada, your appliance is warranted by Electrolux Canada Corp. Electrolux authorizes no person to change or add to any obligations under this warranty. Obligations for service and parts under this warranty must be performed by Electrolux or an authorized service company. Product features or specifications as described or illustrated are subject to change without notice.

USA
1-800-374-4432
Frigidaire
10200 David Taylor Drive
Charlotte, NC 28262



Canada
1.800.265.8352
Electrolux Canada Corp.
5855 Terry Fox Way
Mississauga, Ontario, Canada
L5V 3E4

Bienvenido a nuestra familia

Gracias por traer Frigidaire a su hogar. Vemos su compra como el comienzo de una larga relación juntos.

Este manual es su recurso para el uso y cuidado de su producto. Por favor léalo antes de usar su electrodoméstico. Téngalo a mano para consultarlo rápidamente. Si algo no funciona correctamente, la sección de solución de problemas le ayudará a resolver los problemas más comunes.

Preguntas frecuentes, consejos útiles y vídeos, productos de limpieza y accesorios para la cocina y el hogar están disponibles en www.frigidaire.com.

Estamos a su disposición. Visite nuestra web, chatee con un agente o llámenos si necesita ayuda. Es posible que podamos ayudarle a evitar una visita del servicio técnico. Si necesita asistencia técnica, podemos ponérsela en marcha.

Mantenga la información de su producto aquí para que sea fácil de encontrar.

Modelo: _____

Número de serie: _____

Fecha de compra: _____

¡Hagámoslo oficial! Asegúrese de registrar su producto.

Visítenos en Frigidaire.com/register

O utilice su dispositivo móvil para escanear el código QR.



Control de Instalación

- Lea todas las instrucciones de seguridad en la parte frontal de su Manual de Uso y Cuidado.
- ¡Retire todos los materiales de embalaje de su campana extractora antes de usarla.
- Confirme que la alimentación eléctrica del aparato está conectada.
- Pruebe el control de la campana extractora para asegurarse de que funciona correctamente.
- ¡Recuerde completar el registro de su producto!



Lea todas las instrucciones antes de utilizar este aparato.

Guarde estas instrucciones para futuras referencias.

Aprobado para uso residencial

Sólo para uso doméstico.


Este manual contiene importantes símbolos e instrucciones de seguridad. Por favor, preste atención a estos símbolos y siga todas las instrucciones dadas.

No intente instalar u operar su electrodoméstico hasta que haya leído las precauciones de seguridad en este manual. Los aspectos de seguridad en este manual están señalados con las palabras **ADVERTENCIA** o **PRECAUCIÓN** basados en el tipo de riesgo.

Las advertencias e instrucciones importantes que aparecen en esta guía no pretenden cubrir todas las posibles condiciones y situaciones que puedan ocurrir. Se debe tener sentido común, precaución y cuidado al instalar, mantener o utilizar el aparato.

Utilice siempre guantes de trabajo para todas las operaciones de instalación y mantenimiento.

DEFINICIONES

 Este es el símbolo de alerta de seguridad. Se utiliza para alertarlo sobre riesgos de daños corporales potenciales.

Obedezca todos los mensajes de seguridad que contengan este símbolo para evitar un posible daño o la muerte.

ADVERTENCIA

Este símbolo le alerta de situaciones que puedan provocar serios daños físicos, la muerte o daños de la propiedad.

PRECAUCIÓN

PRECAUCIÓN indica una situación potencialmente riesgosa y que, de no ser evitada, puede resultar en un daño moderado o menor.

IMPORTANTE

IMPORTANTE indica información valiosa acerca de la instalación, operación, mantenimiento que no está relacionada con ningún riesgo.

NOTA

Indica una referencia breve e informal, algo escrito para ayudar a la memoria o para futuras referencias.

INSTRUCCIONES DE SEGURIDAD IMPORTANTES PARA INSTALACIÓN

PRECAUCIÓN

SOLO PARA VENTILACIÓN GENERAL. NO SE USE PARA EXTINGUIR MATERIALES O VAPORES RIESGOSOS O EXPLOSIVOS.

IMPORTANTE

Lea y siga las siguientes instrucciones y precauciones para desembalar, instalar y realizar el mantenimiento de su aparato.

PRECAUCIÓN

Para reducir el riesgo de incendio y para ventilar el aire adecuadamente, asegúrese de dirigir el conducto de ventilación hacia el exterior - no ventile el aire de salida a espacios dentro de paredes o techos, áticos, espacios angostos o garajes.

ADVERTENCIA

PARA REDUCIR EL RIESGO DE INCENDIO, SÓLO USE CONDUCTOS METÁLICOS.

Instale esta campana de acuerdo con todos los requisitos especificados.

PRECAUCIÓN

PARA REDUCIR EL RIESGO DE INCENDIO, CHOQUE ELÉCTRICO O LESIONES, SIGA LAS SIGUIENTES INDICACIONES:

a) Use esta unidad sólo de la manera para lo que fue diseñada por el fabricante. Si tiene preguntas, póngase en contacto con el fabricante.

b) Es necesario que haya suficiente aire para la adecuada combustión y ventilación de gases a través del conducto del equipo que consume combustible, para evitar que ocurra contratiro. Siga la guía y los estándares de seguridad del fabricante del equipo de calefacción, como serían aquéllos publicados por National Fire Protection Association (NFPA), American Society for Heating, Refrigeration and Air Conditioning Engineers (ASHRAE) y las autoridades de códigos locales.

c) Cuando corte o taladre en una pared o techo, no dañe el cableado ni otros servicios públicos.

d) Las campanas con conductos deben ventilarse siempre al exterior.

ADVERTENCIA

A fin de reducir el riesgo de incendio o de choque eléctrico, no use este ventilador con ningún dispositivo semiconductor para el control de la velocidad.

ADVERTENCIA

PARA REDUCIR EL RIESGO DE INCENDIO, DESCARGA ELÉCTRICA O LESIONES PERSONALES, OBSERVE LO SIGUIENTE:

a) Antes de dar servicio o limpiar esta unidad, apague el suministro de energía en el panel de servicio, y bloquee los medios de desconexión del servicio para evitar que se encienda accidentalmente el suministro de energía. Cuando el medio de desconexión del servicio no se pueda bloquear, sujete de manera segura un dispositivo de advertencia prominente, como podría ser una etiqueta, al panel de servicio.

 **ADVERTENCIA****PARA REDUCIR EL RIESGO DE LESIONES A PERSONAS SI SE PRENDE FUEGO EN LA SUPERFICIE DE LA ESTUFA OCASIONADO POR GRASA, OBSERVE LO SIGUIENTE:**

a) EXTINGA LAS LLAMAS con una tapa que encaje muy bien, una bandeja para galletas o una bandeja metálica, y luego apague el quemador. **TENGA CUIDADO PARA EVITAR QUEMADURAS.** Si las llamas no se extinguen de inmediato, **EVACUE Y LLAME AL DEPARTAMENTO DE BOMBEROS.**

b) **NUNCA AGARRE UNA CACEROLA QUE ESTÉ ARDIENDO** - podría quemarse.

c) **NO UTILICE AGUA** ni artículos de limpieza con agua, incluyendo paños para vajilla o toallas mojadas - podría ocurrir una explosión de vapor violenta.

d) **SÓLO** use un extinguidor si:

- Sabe a ciencia cierta que tiene un extinguidor de clase ABC y ya sabe cómo utilizarlo.

- El incendio es pequeño y se encuentra contenido en el lugar en donde se inició.

- Ha llamado al departamento de bomberos.

- Puede apagar el fuego teniendo una salida segura a sus espaldas a Basado en "Consejos de seguridad para fuegos de cocina", publicado por el NFPA (Asociación nacional de protección contra incendios).

OPERACIÓN

Deje siempre las parrillas de protección y los filtros en su lugar. Sin estos componentes, los motores en operación pueden atorarse en el cabello, dedos y ropa suelta.

El fabricante se deslinda de toda responsabilidad en caso de omisión de las instrucciones de instalación, mantenimiento y uso del producto presentes en esta guía. El fabricante declina toda responsabilidad por daños ocasionados por negligencia y la garantía de la unidad automáticamente expirará debido al mantenimiento incorrecto.

 **ADVERTENCIA****PARA REDUCIR EL RIESGO DE INCENDIO PROVOCADO POR GRASA EN LA SUPERFICIE DE LA ESTUFA:**

a) Nunca deje las unidades de superficie sin vigilancia cuando estén en ajustes altos. Los derrames por hervor causan salpicaduras grasosas y humeantes, las cuales pueden encenderse. Caliente los aceites lentamente y con ajustes bajos o medios.

b) Siempre **ENCIENDA** la campana cuando cocine con calor alto o cuando flamee alimentos (por ejemplo, crepes Suzette, cerezas Jubileo y flameado de carne de res con pimienta).

c) Limpie los ventiladores con frecuencia. No permita que se acumule la grasa en el ventilador o en el filtro.

d) Use cacerolas del tamaño adecuado. Siempre use utensilios de cocción que sean los adecuados para el tamaño del elemento de la superficie.

 **NOTA**

Este aparato no está diseñado para ser utilizado por personas (incluidos niños) con capacidades físicas, sensoriales o mentales reducidas, o con falta de experiencia y conocimientos, a menos que hayan recibido supervisión o instrucciones sobre el uso del aparato por parte de una persona responsable de su seguridad.

 **NOTA**

Los niños deben ser supervisados para asegurarse de que no juegan con el aparato.

INSTRUCCIONES DE SEGURIDAD IMPORTANTES

INSTRUCCIONES DE CONEXIÓN

ADVERTENCIA

- Evite el riesgo de incendio o descarga eléctrica. El incumplimiento de esta advertencia puede causar lesiones graves, incendios o la muerte.
- Evite el riesgo de incendio o descarga eléctrica. No utilice un enchufe adaptador, un cable alargador ni retire la clavija de conexión a tierra del cable de alimentación. El incumplimiento de esta advertencia puede causar lesiones graves, incendios o la muerte.

Observe todos los códigos y reglamentos aplicables. Asegúrese de que la instalación eléctrica sea adecuada y en conformidad con el National Electrical Code (Código Nacional Eléctrico), ANSI/NFPA 70 (última edición) o las normas de CSA C22.1-94, Canadian Electrical Code (Código Canadiense de Electricidad), Parte 1 y C22.2 N° 0-M91 (última edición), y todos los códigos y ordenanzas locales.

Si los códigos lo permiten y se emplea un alambre de conexión a tierra separado, es recomendable que un electricista calificado determine si la trayectoria de conexión a tierra es adecuada.

Usted puede obtener una copia de las normas de los códigos arriba indicadas en:

National Fire Protection Association

One Batterymarch Park Quincy, MA 02269

CSA International

8501 East Pleasant Valley Road
Cleveland, OH 44131-5575.

- Se necesita un circuito eléctrico de 120 voltios, 60 hertzios, CA solamente, de 15 amperios y protegido con fusibles.
 - Si la casa tiene cableado de aluminio, siga el procedimiento a continuación:
1. Conecte una sección de alambre de cobre sólido a los conductores flexibles.

2. Conecte el cableado de aluminio a la sección añadida de alambre de cobre usando conectores especiales y/o herramientas diseñadas para unir el cobre al aluminio.

Siga el procedimiento recomendado por el fabricante del conector eléctrico.

- El calibre de los cables y las conexiones deben hacerse de acuerdo con la clasificación del electrodoméstico, como se especifica en la placa de clasificación del modelo/de la serie. La placa del modelo/de la serie está ubicada detrás del filtro, en la pared posterior de la campana.

- El calibre de los cables deben hacerse de acuerdo a los requisitos del National Electrical Code (Código Nacional Eléctrico), ANSI/NFPA 70 (última edición) o las normas de CSA C22.1-94 Canadian Electrical Code (Código Canadiense de Electricidad), Parte 1 y C22.2 N° 0-M91 (última edición), y todos los códigos y ordenanzas locales.

Es responsabilidad personal del consumidor que un electricista calificado instale la toma de corriente o caja de conexiones adecuada con el receptáculo de pared correcto y debidamente conectado a tierra. Es responsabilidad y obligación del consumidor ponerse en contacto con un instalador calificado para asegurarse de que la instalación eléctrica es adecuada y cumple todos los códigos y ordenanzas locales.

Si se suministra con enchufe eléctrico, conecte la campana a una toma de corriente que cumpla con la normativa vigente y colocada en una posición accesible. Si no dispone de enchufe eléctrico (conexión directa a la red eléctrica) o si el enchufe no va a estar en una posición accesible después de la instalación, coloque un interruptor bipolar homologado en una posición accesible que proporcione una desconexión total en condiciones de sobretensión de categoría III, de acuerdo con las normas locales de cableado.

INSTRUCCIONES IMPORTANTES PARA LIMPIEZA DEL APARATO **PRECAUCIÓN**

Antes de limpiar manualmente cualquier parte del aparato, asegúrese de que todos los controles estén apagados y que el aparato esté frío. Limpiar un aparato caliente puede causar quemaduras.

Limpie el aparato con regularidad para mantener todas las piezas libres de grasa que pueda incendiarse. No permita que se acumule grasa. Los depósitos de grasa en el ventilador podrían incendiarse.

Siga siempre las instrucciones recomendadas por el fabricante para el uso de limpiadores de cocina y aerosoles. Tenga en cuenta que el exceso de residuos de los limpiadores y aerosoles puede inflamarse y causar daños y lesiones.

Limpie con frecuencia las campanas extractoras - No debe permitir que se acumule grasa en la campana o en el filtro.

INSTRUCCIONES IMPORTANTES PARA SERVICIO Y MANTENIMIENTO

No repare ni sustituya ninguna pieza del aparato a menos que se recomiende específicamente en los manuales. Todas las demás reparaciones deben ser realizadas únicamente por un técnico cualificado. Esto reduce el riesgo de lesiones personales y daños al aparato.

Póngase siempre en contacto con su vendedor, distribuidor, agente de servicio o fabricante en caso de problemas o condiciones que no entienda.

Pida a su distribuidor que le recomiende un técnico cualificado y un servicio de reparación autorizado. Sepa cómo desconectar la alimentación del aparato en el disyuntor o en la caja de fusibles en caso de emergencia.

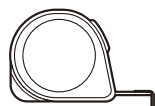
No toque una bombilla caliente. Si lo hace, la bombilla podría romperse. Manipule las luces halógenas (si están equipadas) con toallas de papel o guantes suaves. Desconecte el aparato o apague la alimentación del mismo antes de retirar y sustituir la bombilla.

 **ADVERTENCIA**

Residentes de California: para obtener información sobre el cáncer y los daños reproductivos, visite

www.P65Warnings.ca.gov

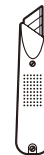
OUTILS NÉCESSAIRES



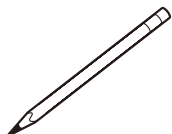
Mètre en ruban



Niveau



Couteau



Stylo



Ruban adhésif



Clef à molette



Tire-bouchon



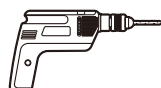
Tournevis à tête plate



Pince



Marteau



Perceuse électrique



Lunettes de sécurité



Gants de sécurité

PIECES EXEMPLE



REMARQUE: Ces pièces ne sont pas représentées à la taille réelle.

Partie	Image	Description	Quantité
AA1		Vis longue ST3.5*50	6
BB1		Ancrage mural	6
AA2+BB2		Boulon à bascule et écrou à oreilles M5*75	6
AA3		Vis à bois ST4.8*40	6
CC		Vis du support de montage de cheminée M4*105	2
DD		Décharge de traction	1

PIECES DU COLIS

Remarque :

Utilisez le matériel de montage approprié en fonction de la structure du mur.

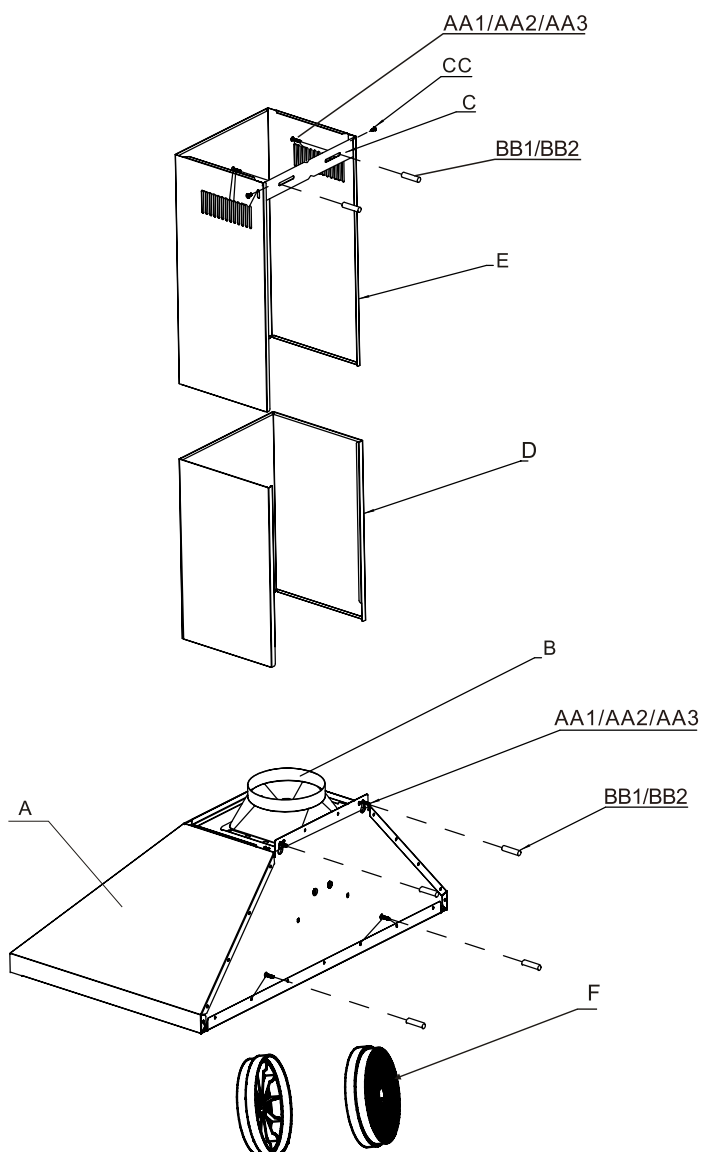
Options :

- AA 1 + BB1 (perçage d'un avant-trou de Φ 11 mm)
- AA 2 + BB2 (perçage d'un avant-trou de Φ 16 mm)
- AA 3 (fixation sur montant en bois)

Pièces détachées

- Filtre à graisse 30" (référence 4056022975)
- Filtre à graisse 3 6" (référence 405602298)
- Filtre à charbon actif (référence 5304 53 9515)
- Ampoule (référence 405602296)

Pour commander des pièces, appelez le 800-599-756 9



Partie	Description	Quantité
A	Hotte de cuisine (y compris les filtres et les lampes)	1
B	Adaptateur de sortie et amortisseur	1
C	Support fixe de la hotte	1
D	Base de la hotte	1
E	Haut de la hotte	1
F	Filtre à charbon (pour recirculation uniquement)	2

Accessoire non inclus:

Pour les plafonds de 10 pi, voir l'accessoire d'extension de hotte FHW10X75LS

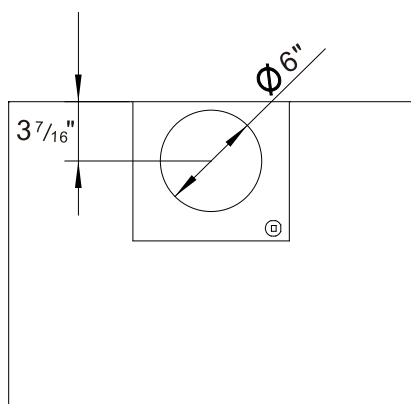
FHWC3075LS

Dimensions	Volts	Hertz	Fan CFM	Speeds	Light Wattage	Stainless Steel Grade
29.5 Inches W	120	60	350	High	5	430
17.7 Inches D				Medium		
30 - 45 Inches H				Low		

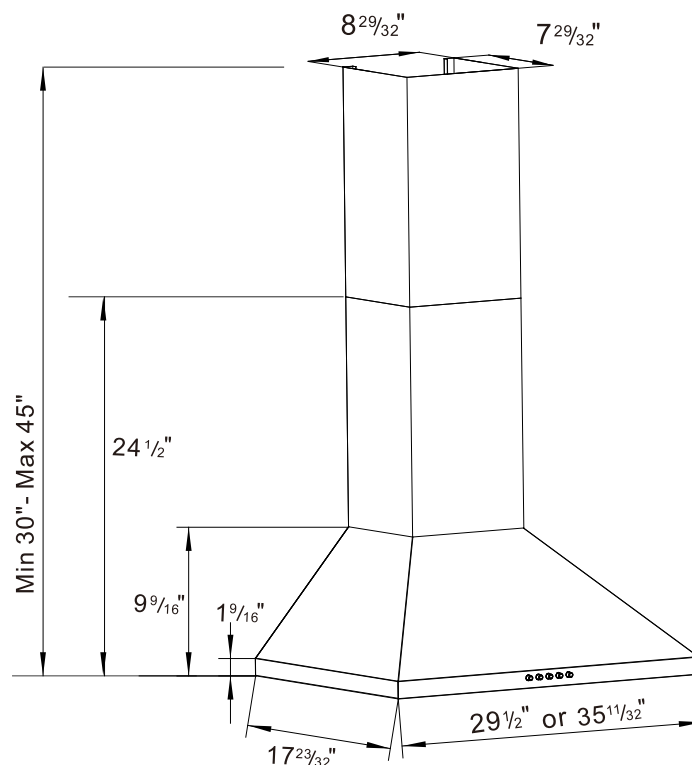
FHWC3675LS

Dimensions	Volts	Hertz	Fan CFM	Speeds	Light Wattage	Stainless Steel Grade
35.4 Inches W	120	60	350	High	5	430
17.7 Inches D				Medium		
30 - 45 Inches H				Low		

Emplacement des conduits et du câblage



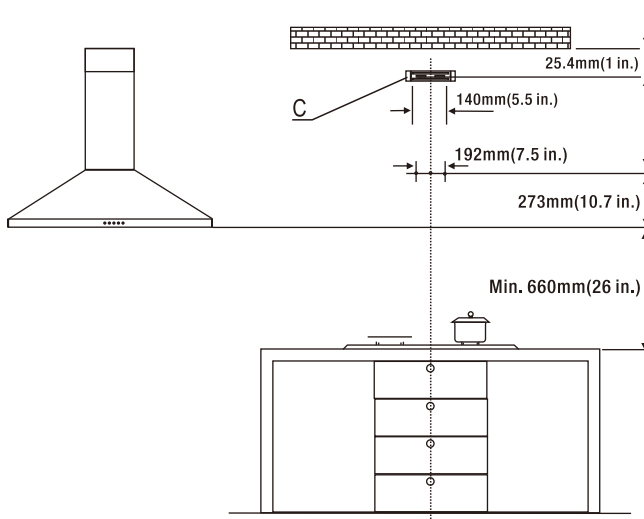
Le câblage doit pénétrer dans le mur arrière à au moins 50 cm au-dessus du bas de la hotte, à la hauteur d'installation, et être contenu dans les caches de conduit. Il est préférable de décaler le câblage à droite du centre pour éviter toute interférence avec les conduits.



Remarque: Pour les plafonds de 10 pi, voir l'accessoire d'extension de hotte FHW10X75LS

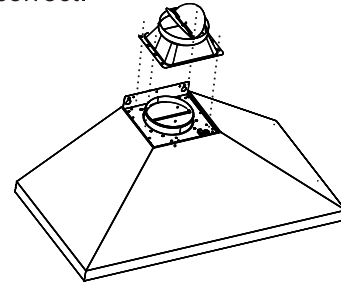
1 INSTALLATION DE FORAGE ET DOUBLURE

1. Dressez une ligne verticale sur le mur de soutènement jusqu'au plafond, ou aussi haut que possible, au centre de la zone dans laquelle le capot sera installé.
2. Tracez une ligne horizontale au minimum 26. Au dessus de la table de cuisson.
3. Placez cheminée support sur le mur de montage comme indiqué dans environ 1. Au plafond ou limite supérieure, en alignant son centre (découpes) avec la ligne de référence verticale.

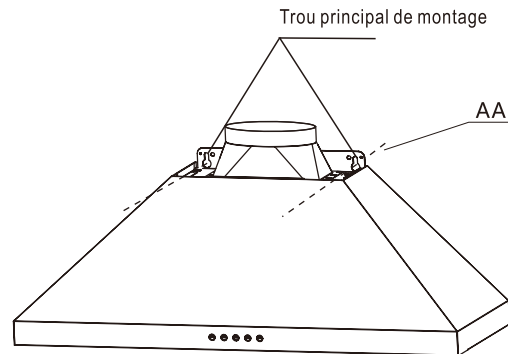


2 MONTAGE DE LA HOTTE

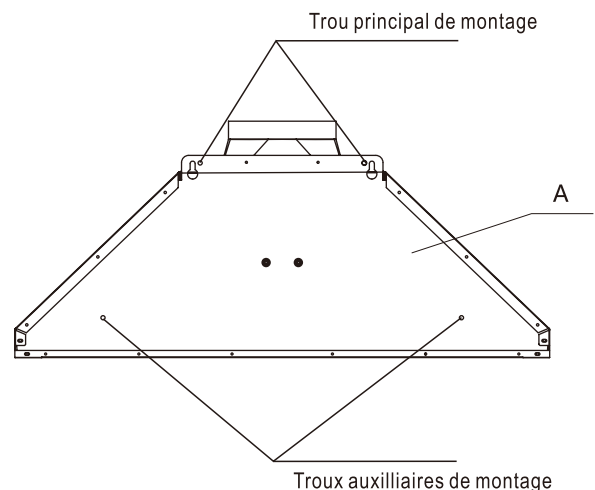
1. Retirez les 4 vis du dessus et fixez l'adaptateur de prise à l'aide de ces 4 vis. Vissez les vis en diagonale sans les serrer pour garantir un alignement correct.



2. Fixez les deux vis de fixation du corps de la hotte avec des chevilles pour cloison sèche dans le mur, le long d'une ligne située à 10.7 in. au-dessus de l'horizontale. Assurez-vous que les vis et les chevilles sont parallèles à l'horizontale. Ne serrez pas complètement les vis. Les têtes de vis doivent être bien visibles pour suspendre la hotte.



3. Accrochez le corps de la hotte (A) aux vis fixées au mur et serrez-les fermement. Insérez deux vis de fixation supplémentaires dans les trous de fixation auxiliaires, à l'intérieur de la hotte.
4. Trous de montage pour fixer le corps de la hotte (A) en place.



3 CONDUIT DE FIXATION



ATTENTION: Pour réduire le risque d'incendie, des conduits en métal est préféré

- Fixez une longueur adéquate de $\phi 6$ puces. Conduit rond sur le dessus de l'adaptateur de sortie.
- Vérifiez et la bande correctement tous les raccords de conduits pour assurer les connexions appropriées

4 RACCORDEMENT ÉLECTRIQUE



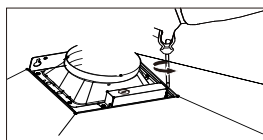
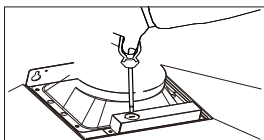
AVERTISSEMENT

Risque d'électrocution Déconnectez l'alimentation avant toute intervention.

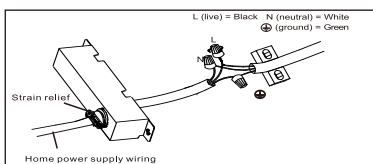
Remplacez toutes les pièces et tous les panneaux avant d'utiliser l'appareil.

Le non-respect de cette consigne peut entraîner la mort ou une électrocution.

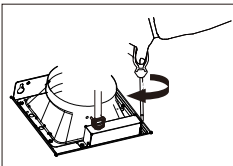
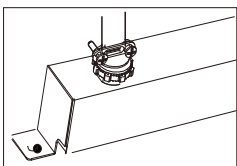
- Retirez le couvercle du trou de décharge de traction dans la boîte de jonction et retirez la boîte de jonction en desserrant les vis courtes.



- Installez un serre-câble homologué UL/CSA sur la boîte de jonction et faites passer le câblage d'alimentation électrique domestique à travers le serre-câble jusqu'à la boîte de jonction.
- Utilisez des connecteurs homologués UL et connectez les fils blancs (N) ensemble.
- Utilisez des connecteurs homologués UL et connectez les fils noirs (L) ensemble.
- Utilisez des connecteurs homologués UL et connectez le fil de terre nu de l'alimentation au fil de terre vert.



- Serrez les vis de décharge de traction et montez la boîte de jonction sur la hotte à l'aide de 2 vis courtes.



AVERTISSEMENT

Risque d'incendie Mettez le ventilateur à la terre.

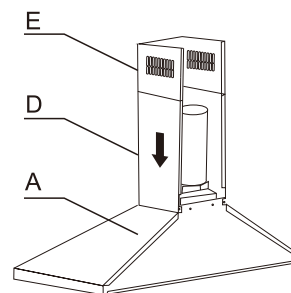
Connectez le fil de terre à la vis verte de mise à la terre dans la boîte à bornes.

Le non-respect de cette consigne peut entraîner la mort, un incendie ou un choc électrique.

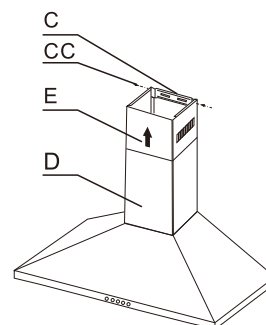
Le câblage électrique doit être fait par une personne qualifiée (s) en conformité avec tous les codes et les normes applicables.

5 ASSEMBLAGE DE CHEMINÉE TÉLESCOPIQUE

- Cheminée Bottom: Faites glisser délicatement le fond de la cheminée vers le bas en dehors de la partie supérieure de la cheminée, puis placer soigneusement le fond de la cheminée dans la zone en retrait de la partie supérieure du corps de la hotte.



- Cheminée Haut: Tout d'abord, le support de la cheminée de montage (C) doit être bien fixé sur le mur avec les deux vis du support de cheminée (AA et BB). Soulevez le haut de la cheminée à l'intérieur de la partie inférieure de la cheminée. Fixer le haut de la cheminée pour le support de montage de la cheminée (C) par la cheminée de montage vis du support (CC) de deux côtés.



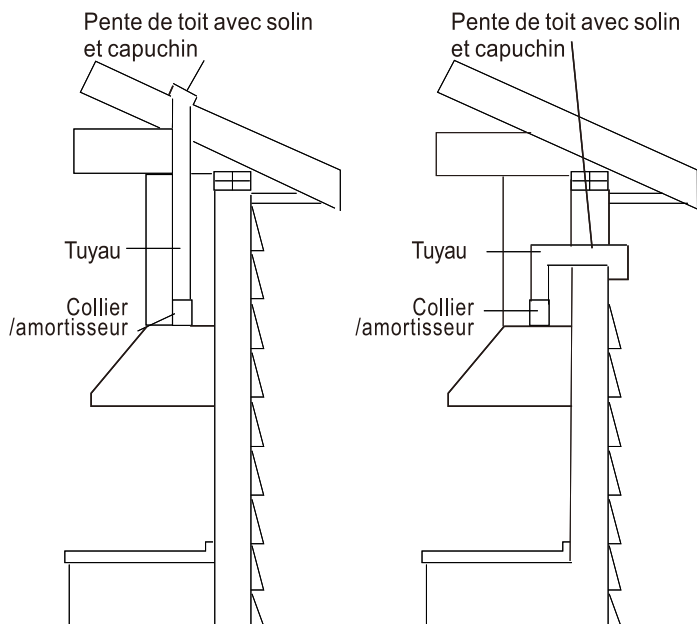
6 RACCORDS D'ÉCHAPPEMENT

DUCTED MODE



ATTENTION : Pour réduire les risques d'incendie, des conduits métalliques sont nécessaires.

- Pour des raisons de sécurité, lors de la pose de conduits extérieurs (sans kit de recirculation), l'évacuation doit être directe vers l'extérieur (et non dans un grenier, sous la maison, dans le garage ou dans un espace clos).
- Veillez à ce que les conduits soient aussi courts et droits que possible.
- Les raccords de conduits (coudes et transitions) réduisent l'efficacité du flux d'air.
- Les coudes dos à dos et les coudes en "S" donnent un débit d'air très faible et ne sont pas recommandés.
- Utilisez un conduit rond de 6 pi adapté.
- Les conduits métalliques flexibles ne sont pas recommandés.

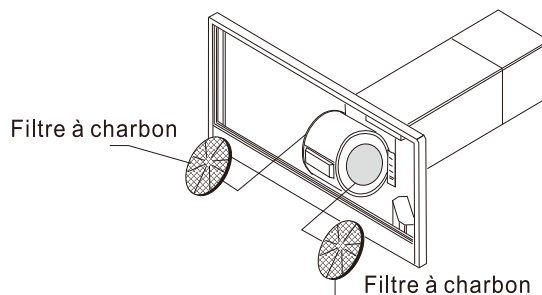


NON DUCTED-MODE

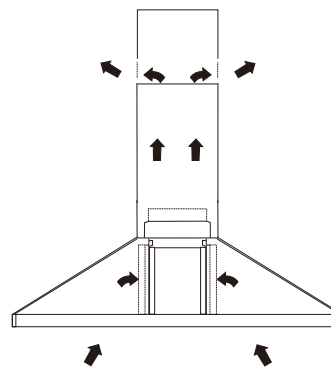


ATTENTION: Ne pas utiliser de plastique ou un conduit métallique rigide.

1. Installez les filtres à charbon au centre du montant central du moteur du ventilateur.



2. Veillez à noter que l'air circule à partir des deux grilles sur les deux côtés de la supérieure de la cheminée.



Installation complète

1. Remplacer le filtre à graisse s'il a été retiré. Vérifiez le fonctionnement du ventilateur et de l'éclairage de la hotte. Voir la section "Utilisation de la hotte".
2. Si la hotte ne fonctionne pas, vérifiez si un disjoncteur s'est déclenché ou si un fusible domestique a sauté. Débranchez l'appareil et vérifiez les connexions électriques.

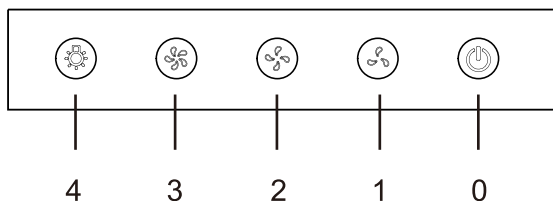


NOTE

Pour tirer le meilleur parti de votre nouvelle hotte, lisez la section "Utilisation de la hotte".

1 FONCTIONNEMENT DES COMMANDES

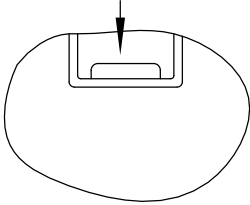
1. La hotte fonctionne à l'aide du bouton-poussoir sur le panneau avant.
2. L'interrupteur de lumière (4) tourne les lampes sur et en dehors.
3. L'interrupteur de la soufflerie (1,2,3) met le ventilateur à trois réglages de vitesse:
0 - OFF
1 - Basse vitesse
2 - Vitesse moyenne
3 - Haute vitesse
4 - Lamp
4. Le bouton d'alimentation ne permet pas d'allumer le ventilateur.
Il l'éteint uniquement après avoir sélectionné la vitesse du ventilateur à l'aide des boutons 1, 2 ou 3.



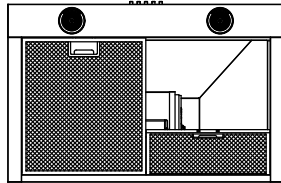
ALUMINIUM GREASE FILTER

- Les filtres à graisse doivent être nettoyés fréquemment (tous les deux mois de fonctionnement, ou plus fréquemment pour un usage intensif). Utilisez une solution de détergent chaude.
- Les filtres à graisse sont lavables. (Pour lave-vaisselle, panier supérieur uniquement.)

(1) S'appuyer pour abaisser



(2) soulever



1. Retirez le filtre à graisse, un par un en appuyant chaque verrou. Cela dégager le filtre de la hotte. Inclinez le filtre vers le bas et le retirer.
2. Lavez les filtres en évitant de les plier. Leur permettre d'être à sec avant de le remonter.
3. Remontez les filtres, assurez-vous que le loquet est visible de l'extérieur.
4. Pour installer le filtre à graisse, alignez les onglets de filtre arrière avec des fentes dans la hotte. Rabattez le loquet, pousser le filtre en position et la libération. Assurez-vous que le filtre est bien engagé après le montage.

Non raccordés RECYCLAGE filtre à charbon

Ne pas utiliser dans une installation gainée.

- Ce filtre n'est pas lavable, et ne peut pas être régénéré, et doit être remplacé environ tous les 3 mois de fonctionnement, ou plus fréquemment en cas d'utilisation intensive.

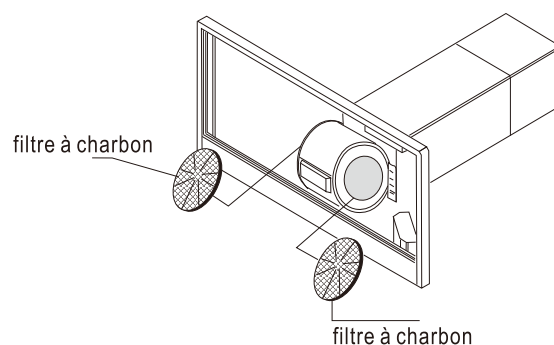
Graisse 30" - Référence : 4056022975

Graisse 36" - Référence : 4056022983

Filtre à charbon 30" et 36" - Référence : 5304539515

Pour commander des pièces, appelez le 800-599-7569

1. Retirez les filtres à graisse.
2. Les filtres à charbon doivent être appliqués sur l'unité d'aspiration à l'intérieur de la hotte. Centrez-les à l'intérieur du moteur du ventilateur et tournez-les de 90 degrés jusqu'à ce qu'ils s'enclenchent.
3. Remettez les filtres à graisse en place.



ÉCLAIRAGE



AVERTISSEMENT: Toujours couper l'alimentation électrique avant d'effectuer toute opération sur l'appareil.

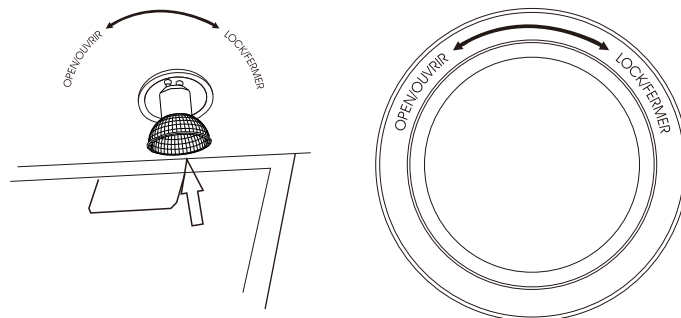


ATTENTION: La surface des lampes à LED peut être chaude. Faites attention lorsque vous faire le remplacement.

- Cette hotte nécessite deux lampes LED (120V, GU10, 5W).
- Pour changer les lampes à LED:

1. Couper l'alimentation et attendre 5 minutes jusqu'à ce que les ampoules refroidissent.
2. Portez des gants et retirez l'ampoule comme suit

- Placez vos mains de manière à ce que vos doigts soient sur le dessus du capot et centrez vos pouces sur la lentille de l'ampoule.
- Utilisez vos pouces pour faire tourner l'ampoule d'un demi-tour dans le sens inverse des aiguilles d'une montre.
- Soyez prudent : l'ampoule tombera librement.
- Retirez et réinstallez délicatement l'ampoule de rechange en sens inverse.
- Référence de l'ampoule : 4056022967
- Pour commander des pièces, appelez le 800-599-7569.





AVERTISSEMENT: Le non-respect des normes de soins de base et le nettoyage de la hotte va augmenter le risque d'incendie.

La hotte doit être régulièrement nettoyée intérieurement et extérieurement pour préserver son apparence et les performances.

Faire

- Nettoyez la hotte périodiquement, l'eau chaude savonneuse et un chiffon de coton propre.
- Nettoyez toujours dans le sens du grain du métal.
- Toujours rincer abondamment à l'eau claire deux ou trois fois après le nettoyage. Essuyer soigneusement avec un chiffon doux en microfibre.
- Après le nettoyage, vous pouvez polir avec un vernis en acier inoxydable non abrasif ou un nettoyant. Toujours frotter légèrement et avec le grain.
- Assurez-vous que le système de ventilation est libre de débris, si vous en avez un.

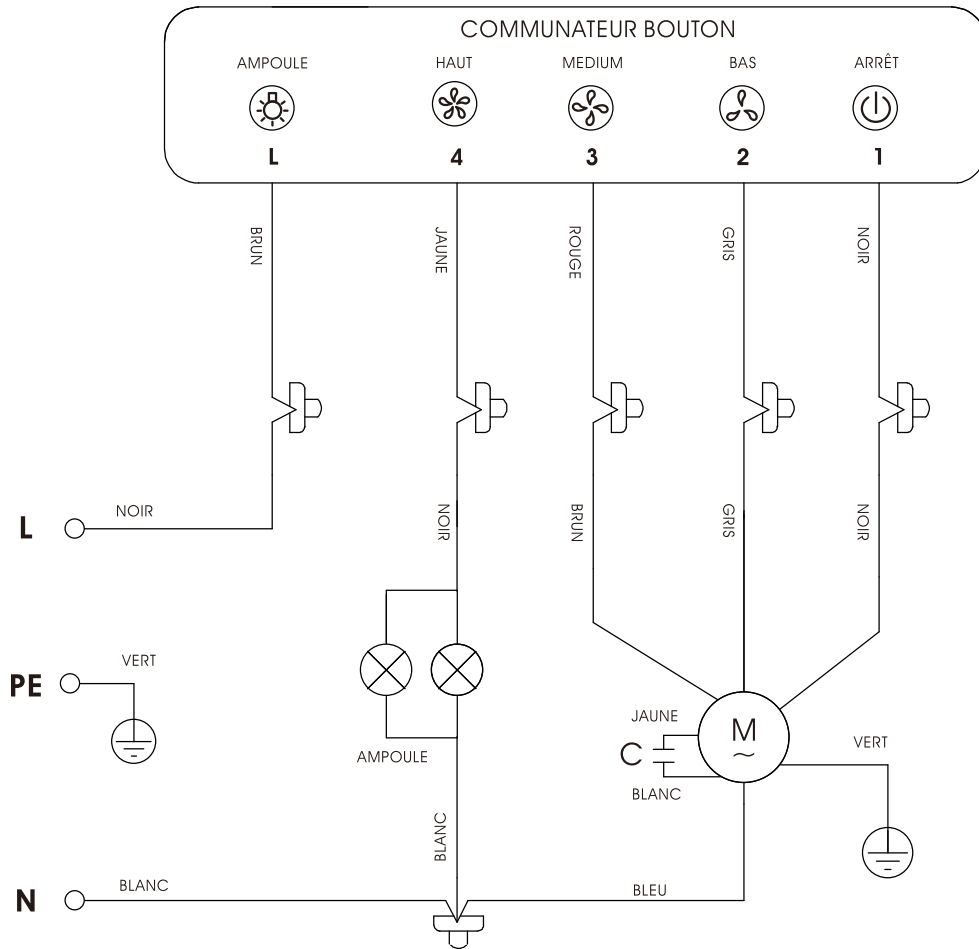
Ne pas faire

- Ne pas utiliser de détergents corrosifs ou abrasifs, ou des produits contenant du chlorure, fluorure, iodure ou du bromure sur ce produit, car ils se détériorent rapidement la surface.
- Ne pas permettre aux agents de nettoyage, des solutions salines, des désinfectants, des agents de blanchiment ou de rester en contact avec le produit pour des périodes de temps prolongées.
- Ne pas laisser les dépôts se pendant de longues périodes de temps sur la hotte. Rincer à l'eau immédiatement et essuyez avec un chiffon propre.
- Ne laissez pas la hotte sale pendant de longues périodes de temps ou de laisser la saleté se accumuler.
- Ne pas laisser la poussière de plâtre ou tout autre résidu de construction entrent dans le capot. Lors de la construction ou de rénovation, couvrir le capot.
- Les produits combustibles utilisés pour le nettoyage, tels que l'acétone, alcool, éther, ou benzyle, sont hautement explosifs et ne devraient jamais être utilisés à proximité d'une plage ou d'un poêle.



DANGER: Éteignez le disjoncteur de courant ou le commutateur d'alimentation sur la boîte de jonction avant d'installer ou de réparer cet appareil. Toucher circuits à l'intérieur de la hotte alors qu'il est sous tension peut entraîner la mort ou des blessures graves.

Problème	Solution
La hotte ne fonctionne pas.	<ul style="list-style-type: none"> <input type="checkbox"/> Vérifiez que le câble d'alimentation et tout le câblage électrique sont correctement connectés. <input type="checkbox"/> Vérifiez que l'alimentation est allumée à la boîte de jonction ou le disjoncteur. <input type="checkbox"/> Vérifiez que le câblage entre le Conseil de l'interrupteur et le panneau de commande sont correctement connectés.
La hotte vibre lorsque le ventilateur est en marche.	<ul style="list-style-type: none"> <input type="checkbox"/> Vérifier que la hotte a été bien fixé au mur ou un meuble. Serrez-le en position, si nécessaire. <input type="checkbox"/> Vérifiez que le moteur est fixé en place. Si non, alors serrer le moteur en place. <input type="checkbox"/> Vérifiez que le ventilateur ne soit pas endommagé. Si oui, remplacer le ventilateur.
Les fans semblent faibles.	<ul style="list-style-type: none"> <input type="checkbox"/> Vérifiez que la taille du conduit qui est utilisé est d'au moins 152 mm (6 po.). La hotte ne fonctionne pas efficacement avec la taille insuffisante de conduit. <input type="checkbox"/> Vérifiez que le canal ne soit pas obstrué par des débris et le maillage serré sur le capuchon de mur, le cas échéant, est de ne pas limiter le débit d'air. <input type="checkbox"/> Vérifiez que l'unité de l'amortisseur ouvre correctement, le cas échéant.
Les lumières fonctionnent, mais le ventilateur ne tourne pas, est coincé, ou est cliquetis.	<ul style="list-style-type: none"> <input type="checkbox"/> Les lumières fonctionnent, mais le ventilateur ne tourne pas, est coincé, ou est cliquetis. <input type="checkbox"/> Vérifiez que le ventilateur ne soit pas coincé ou en raclant le fond. <input type="checkbox"/> Si rien ne fonctionne, le moteur peut être défectueux ou saisi. Si oui, remplacer le moteur.
La gamme hotte ne fonctionne pas correctement.	<ul style="list-style-type: none"> <input type="checkbox"/> Vérifiez que la distance entre la table de cuisson et le fond de la hotte est min. à 26 en. <input type="checkbox"/> Vérifiez que le travail conduit suit toutes les exigences. Utilisez des conduits de métal d'un diamètre uniforme de 150 mm (6 po.). Réduire la durée du travail de conduite et le nombre de coudes si nécessaire. Veiller à ce que tous les joints sont bien connectés, scellés et enregistrés. <input type="checkbox"/> Vérifiez que le conduit ne se ouvre pas contre le vent. <input type="checkbox"/> Assurez-vous que le pouvoir est à haute vitesse pour la cuisine lourde. <input type="checkbox"/> Vent des fenêtres ou des portes ouvertes peut affecter la performance de la hotte. Fermez toutes les fenêtres et les portes pour éliminer l'écoulement de l'air extérieur.
La lumière ne fonctionne pas.	<ul style="list-style-type: none"> <input type="checkbox"/> Vérifier l'ampoule pour voir si elle est lâche. Si oui, serrer. <input type="checkbox"/> Retirez l'ampoule de problème et insérez une vous savez travailler. Si la lumière fonctionne correctement ne vient pas, le problème peut être l'ensemble de lumière. Avoir l'assemblage léger réparé ou remplacé.



Su electrodoméstico está cubierto por una garantía limitada de un año. Durante un año a partir de la fecha original de compra, Electrolux cubrirá todos los costos de reparación o reemplazo de cualquier pieza de éste electrodoméstico que se encuentre defectuosa en materiales o mano de obra cuando el electrodoméstico se instala, utiliza y mantiene de acuerdo con las instrucciones proporcionadas. Exclusiones

Esta garantía no cubre lo siguiente:

1. Productos a los que se les quitaron o alteraron los números de serie originales o que no pueden determinarse con facilidad.
2. Productos que hayan sido transferidos del dueño original a un tercero o que no se encuentren en los EE.UU. o en Canadá.
3. Óxido en el interior o exterior de la unidad.
4. Los productos comprados "previamente usados o productos muestra" no están cubiertos por esta garantía.
5. Pérdida de alimentos por fallas del refrigerador o congelador.
6. Productos utilizados para fines comerciales.
7. Las llamadas de servicio que no involucren el funcionamiento defectuoso ni los defectos de materiales o de mano de obra, o para electrodomésticos que no sean utilizados para uso normal del hogar o de acuerdo con las instrucciones proporcionadas.
8. Llamadas de servicio para corregir errores de instalación o para instruirlo sobre el uso del mismo.
9. Gastos para facilitar el acceso al electrodoméstico para el servicio, tales como la remoción de molduras, armarios, estantes, etc. que no eran parte del electrodoméstico cuando se envió de la fábrica.
10. Llamadas de servicio para reparar o reemplazar bombillas, filtros de aire, filtros de agua, otros consumibles, perillas, manijas u otras piezas decorativas.
11. Costos adicionales que incluyen, sin limitarse, cualquier llamada de servicio fuera de las horas de oficina, durante los fines de semana o días feriados, peajes, pasajes de transporte o millaje/kilometraje para llamadas de servicio en áreas remotas, incluyendo el estado de Alaska.
12. Daños al acabado del electrodoméstico o al hogar que hayan ocurrido durante la instalación, incluyendo, sin limitarse, los armarios, paredes, etc.
13. Daños causados por: servicio realizado por compañías de servicio no autorizadas, el uso de piezas que no sean piezas genuinas Electrolux o piezas obtenidas de personas que no pertenezcan a compañías de servicio autorizado, o causas externas como abuso, mal uso, suministro eléctrico inadecuado, accidentes, incendios, hechos fortuitos o desastres naturales.

RENUNCIA DE RESPONSABILIDAD DE GARANTÍAS IMPLÍCITAS

LIMITACIÓN DE ACCIONES LEGALES LA ÚNICA Y EXCLUSIVA OPCIÓN DEL CLIENTE BAJO ESTA GARANTÍA LIMITADA ES LA REPARACIÓN O REEMPLAZO DEL PRODUCTO SEGÚN SE INDICA. LOS RECLAMOS BASADOS EN GARANTÍAS IMPLÍCITAS, INCLUYENDO LAS GARANTÍAS DE COMERCIALIZACIÓN O APTITUD DEL PRODUCTO PARA UN PROPÓSITO ESPECÍFICO, ESTÁN LIMITADOS A UN AÑO O AL PERÍODO MÍNIMO PERMITIDO POR LEY, PERO NUNCA MENOS DE UN AÑO. ELECTROLUX NO SERÁ RESPONSABLE POR DAÑOS CONSECUENTES O INCIDENTALES COMO POR EJEMPLO DAÑOS A LA PROPIEDAD Y GASTOS INCIDENTALES OCASIONADOS POR EL INCUMPLIMIENTO DE ESTA GARANTÍA ESCRITA O DE CUALQUIER GARANTÍA IMPLÍCITA. ALGUNOS ESTADOS Y PROVINCIAS NO PERMITEN LA EXCLUSIÓN O LIMITACIÓN DE DAÑOS INCIDENTALES O CONSECUENTES O LIMITACIONES EN LA DURACIÓN DE LAS GARANTÍAS IMPLÍCITAS, DE MANERA QUE PUEDE QUE ESTAS LIMITACIONES O EXCLUSIONES NO SE APLIQUEN EN SU CASO. ESTA GARANTÍA ESCRITA LE OTORGA DERECHOS LEGALES ESPECÍFICOS. ES POSIBLE QUE TAMBIÉN TENGA OTROS DERECHOS QUE VARIAN DE UN ESTADO A OTRO.

Si tiene que solicitar servicio técnico

Guarde su recibo, el comprobante de entrega o cualquier otro registro de pago adecuado para establecer el período de la garantía si llegara a requerir servicio. Si se realiza la reparación, le conviene obtener y conservar todos los recibos. El servicio realizado bajo esta garantía debe ser obtenido a través de Electrolux utilizando las direcciones o números que se indican abajo. Esta garantía sólo se aplica en los Estados Unidos y Canadá. En los EE.UU., su electrodoméstico está garantizado por Electrolux Major Appliances North America, una división de Electrolux Home Products, Inc. En Canadá, su electrodoméstico está garantizado por Electrolux Canada Corp. Electrolux no autoriza a ninguna persona a cambiar o agregar ninguna obligación bajo esta garantía. Nuestras obligaciones de reparación y piezas bajo esta garantía deben ser realizadas por Electrolux o compañía de servicio autorizado. Las especificaciones y características del producto según se describen o ilustran están sujetas a cambio sin previo aviso.

USA
1-800-374-4432
 Frigidaire
 10200 David Taylor Drive
 Charlotte, NC 28262



Canada
1.800.265.8352
 Electrolux Canada Corp.
 5855 Terry Fox Way
 Mississauga, Ontario, Canada
 L5V 3E4