

Freezer

use & care

Introduction.....	2	Storage Features.....	16
Important Safety Information	3	Saving Energy	17
Features	5	Care and Cleaning	18
Installation	7	Troubleshooting	19
Door Removal/Reversal.....	9	Limited Warranty	22
Controls and Settings.....	13		

2

INTRODUCTION

Welcome to our **family**

Thank you for bringing Frigidaire into your home! We see your purchase as the beginning of a long relationship together.

This manual is your resource for the use and care of your product. Please read it before using your appliance. Keep it handy for quick reference. If something doesn't seem right, the troubleshooting section will help you with common issues.

FAQs, helpful tips and videos, cleaning products, and kitchen and home accessories are available at Frigidaire.com.

We are here for you! Visit our website, chat with an agent, or call us if you need help. We may be able to help you avoid a service visit. If you do need service, we can get that started for you.

Let's make it official! Be sure to register your product.

Keep your product info here so it's easy to find.

Model Number _____

Serial Number _____


Purchase Date _____



WARNING

Please read all instructions before using this appliance.

Safety Definitions

 This is the safety alert symbol. It is used to alert of potential personal injury hazards. Obey all safety messages that follow this symbol to avoid possible injury or death.



DANGER

DANGER indicates an imminently hazardous situation which, if not avoided, will result in death or serious injury.



WARNING

WARNING indicates a potentially hazardous situation which, if not avoided, could result in death or serious injury.



CAUTION

CAUTION indicates a potentially hazardous situation which, if not avoided, may result in minor or moderate injury.



IMPORTANT

IMPORTANT indicates installation, operation or maintenance information which is important but not hazard-related.



DANGER



DANGER Risk of fire or explosion. Flammable refrigerant used. Do not use mechanical devices to defrost refrigerator. Do not puncture refrigerant tubing.

DANGER Risk of fire or explosion. Flammable refrigerant used. To be repaired only by trained service personnel. Use only manufacturer-authorized service parts. Any repair equipment used must be designed for flammable refrigerants. Follow all manufacturer repair instructions. Do not puncture refrigerant tubing.



WARNING

CALIFORNIA RESIDENTS ONLY
Cancer and Reproductive Harm
www.P65Warnings.ca.gov



CAUTION



CAUTION Risk of fire or explosion. Dispose of refrigerator properly in accordance with the applicable federal or local regulations. Flammable refrigerant used.

CAUTION Risk of fire or explosion due to puncture of refrigerant tubing. Follow handling instructions carefully. Flammable refrigerant used.

Safety Instructions

- DO NOT store or use gasoline, or other flammable liquids, or aerosols within or in the vicinity of this or any other appliance. Read product labels for warnings regarding flammability and other hazards.
- DO NOT store explosive substances such as aerosol cans with a flammable propellant in this appliance.
- DO NOT operate the refrigerator in the presence of explosive fumes.
- Avoid contact with any moving parts of automatic ice maker.
- Remove all staples from the carton. Staples can cause severe cuts, and also destroy finishes if they come in contact with other appliances or furniture.



WARNING

Do not use electrical appliances inside the food storage compartments of the appliance unless they are of the type recommended by the manufacturer.

Child Safety

This appliance is not intended for use by persons (including children) with reduced physical, sensory or mental capabilities, or lack of experience and knowledge, unless they have been given supervision or instruction concerning use of the appliance by a person responsible for their safety.

Destroy or recycle the carton, plastic bags, and any exterior wrapping material immediately after the refrigerator is unpacked. Children should **NEVER** use these items to play. Cartons covered with rugs, bedspreads, plastic sheets or stretch wrap may become airtight chambers, and can quickly cause suffocation.

4

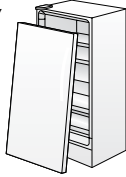
IMPORTANT SAFETY INFORMATION

Proper Disposal of your Appliance

Risk of child entrapment

Child entrapment and suffocation are not problems of the past. Junked or abandoned appliances are still dangerous – even if they will sit for “just a few days”. If you are getting rid of your old appliance, please follow the instructions below to help prevent accidents.

We strongly encourage responsible appliance recycling/disposal methods. Check with your utility company or visit energystar.gov/products/recycle for more information on recycling your old appliance.



Before you throw away your old appliance:

- Remove door.
- Leave shelves in place so children may not easily climb inside.
- Have refrigerant removed by a qualified service technician.



IMPORTANT

CFC/HCFC Disposal

Your old appliance may have a cooling system that used CFCs or HCFCs (chlorofluorocarbons or hydrochlorofluorocarbons). CFCs and HCFCs are believed to harm stratospheric ozone if released to the atmosphere. Other refrigerants may also cause harm to the environment if released to the atmosphere.

If you are throwing away your old appliance, make sure the refrigerant is removed for proper disposal by a qualified technician. If you intentionally release refrigerant, you may be subject to fines and imprisonment under provisions of environmental legislation.



WARNING

These guidelines must be followed to ensure that safety mechanisms in this appliance will operate properly.

Electrical information

- Refer to the serial plate for correct electrical rating. The power cord of the appliance is equipped with a three-prong grounding plug for your protection against electrical shock hazards. It must be plugged directly into a properly grounded three-prong receptacle, protected with a 15-amp time delay fuse or circuit breaker. The

receptacle must be installed in accordance with the local codes and ordinances. Consult a qualified electrician. Receptacles protected by Ground Fault Circuit Interrupters (GFCI) are NOT RECOMMENDED. Do NOT use an extension cord or adapter plug.

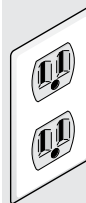
- If the power cord is damaged, it should be replaced by an authorized service technician to prevent any risk.
- Never unplug the appliance by pulling on the power cord. Always grip the plug firmly, and pull straight out from the receptacle to prevent damaging the power cord.
- Unplug the appliance before cleaning and before replacing a light bulb to avoid electrical shock.
- If voltage varies by 10% or more, appliance performance may be affected. Operating the unit with insufficient power can damage the motor. Such damage is not covered under the warranty. If you suspect your household voltage is high or low, consult your power company for testing.
- To prevent the appliance from being turned off accidentally, do not plug unit into an outlet controlled by a wall switch or pull cord.
- Do not pinch, knot, or bend power cord in any manner.



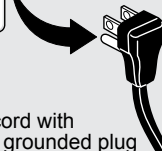
IMPORTANT

To turn off power to your appliance you must unplug the power cord from the electrical outlet.

Grounding type wall receptacle



Do not, under any circumstances, cut, remove, or bypass the grounding prong.



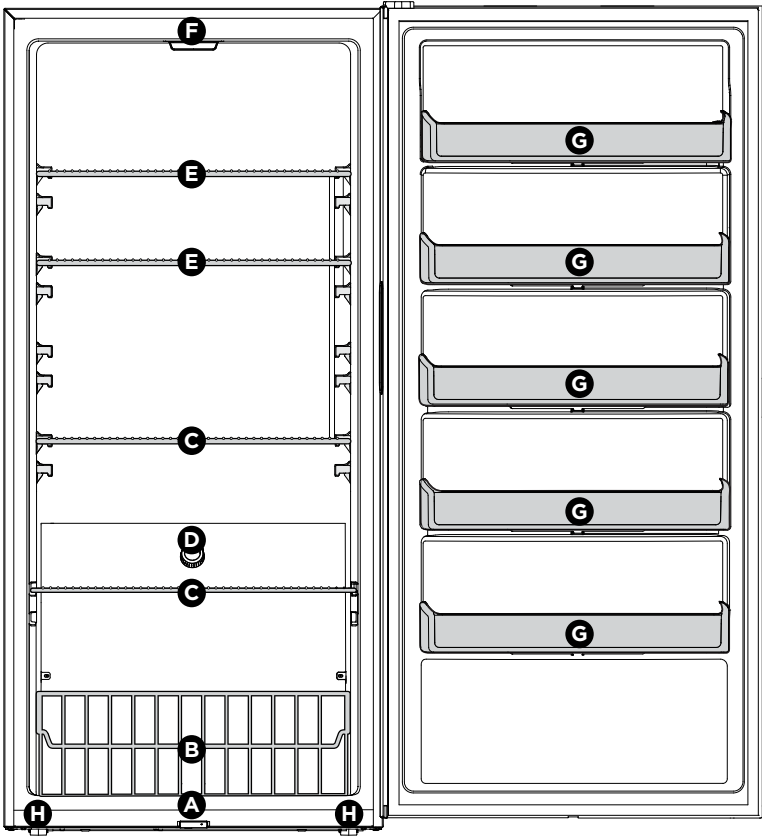
Power cord with 3-prong grounded plug



WARNING

Turning the control to OFF turns off the compressor, but does not disconnect power to other electrical components.

Features may vary according to model



A	Power On LED
B	Freezer Wire Basket
C	Short-Depth Freezer Shelves
D	Temperature Control Knob

E	Full-Depth Freezer Shelves
F	Interior LED
G	Fixed Door Bins
H	Front Leveling Feet

6

FEATURES



IMPORTANT

Cleaning your Appliance

Remove tape and glue residue from surfaces before turning on the appliance. Rub a small amount of liquid dish soap over the adhesive with your fingers. Rinse with warm water and dry with a soft cloth.

Do not use sharp instruments, rubbing alcohol, flammable fluids, or abrasive cleaners to remove tape or glue. These products can damage the surface of your appliance.

After you remove all of the package materials, clean the inside of your appliance before using it. See the **CARE & CLEANING** section in this manual.

See important information about cleaning glass shelves and covers in the **STORAGE FEATURES** section of this manual.



IMPORTANT

Moving your Appliance

Your appliance is heavy. When moving the appliance for cleaning or service, be sure to cover the floor with cardboard or hardboard to avoid floor damage. Always pull the appliance straight out when moving it. Do not wiggle or “walk” the appliance when trying to move it as floor damage could occur.

This Use & Care Manual provides general operating instructions for your model. Use the appliance only as instructed in this Use & Care Manual. Before starting the appliance, follow these important first steps.

Location

- Choose a place that is near a grounded electrical outlet. Do Not use an extension cord or an adapter plug.
- If possible, place the appliance out of direct sunlight and away from the range, dishwasher or other heat sources.
- Allow space around the unit for good air circulation. Leave a 4 inch (101 mm) space on all sides of the unit for adequate circulation.



WARNING

This appliance is intended for use in residential household and similar interior applications such as:

- a kitchen/kitchenette
- a pantry room
- a basement
- an enclosed garage
- other interior residential-type environments



CAUTION

For the most efficient operation, the appliance should be located where surrounding temperatures will not exceed 110°F (43°C). Temperatures of 0°F (-18°C) and below will NOT affect operation. Additional compressor heaters are not recommended.

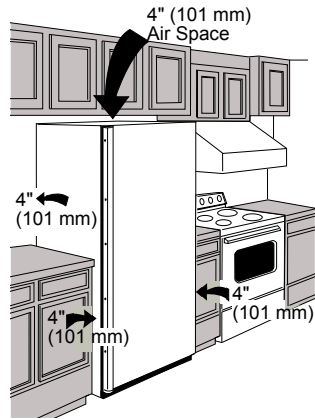


WARNING

Installation clearances

Allow the following clearances for ease of installation, proper air circulations, and plumbing and electrical connections:

Sides, Top & Back 4" (101 mm)



NOTE

The exterior walls of the unit may become quite warm as the compressor works to transfer heat from the inside. Temperatures as much as 30° F (-1°C) warmer than room temperature can be expected. For this reason it is particularly important in hotter climates to allow enough space for air circulation around your appliance.

8

INSTALLATION

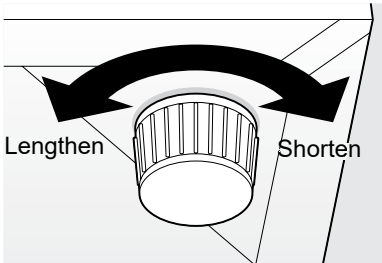
Leveling

Rest all bottom corners firmly on a solid floor. The floor must be strong enough to support a fully loaded appliance.

NOTE

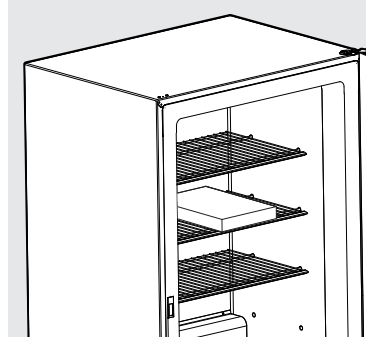
It is **VERY IMPORTANT** for you to level your unit for it to function properly. If the appliance is not leveled during installation, the door may be misaligned and not close or seal properly, causing cooling, frost or moisture problems.

To Level the Appliance: Adjust the bottom feet by turning counterclockwise to lengthen and clockwise to shorten. Use a carpenter's level to level the appliance from front to back. Adjust the leveling feet in front 1/2 bubble higher, so the door closes easily.



CAUTION

To allow the door to close and seal properly, **DO NOT** let food packages extend past the front of shelves.



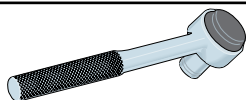
Necessary Tools (not included):



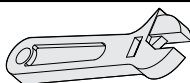
Phillips Screwdriver



Flathead Screwdriver



8 mm Socket with Ratchet



Adjustable Wrench



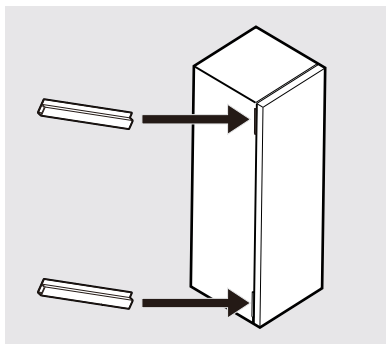
Pliers



IMPORTANT

Before you begin, turn the appliance temperature control to **OFF** and remove the electrical power cord from the wall outlet. Remove any food from the door shelves.

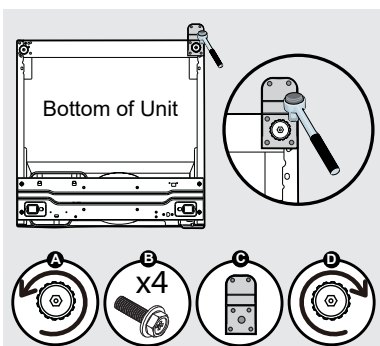
1. Keep the 2 plastic door spacers between the door and the cabinet as shown below. The spacers are used to make sure the distance between the door and cabinet is 1/2 inch.



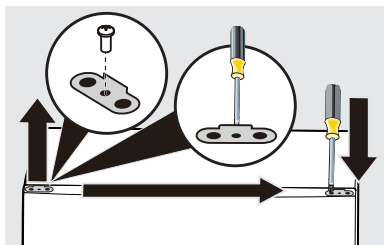
CAUTION

This procedure will require 2 people to safely perform.

2. Lay the freezer on its back on a padded surface.
3. Unscrew the right adjustable leveling foot (A). Remove the 4 screws (B) holding the bottom hinge (C) to the cabinet with an 8 mm socket with ratchet. Screw the adjustable leveling foot back into the cabinet hole (D).



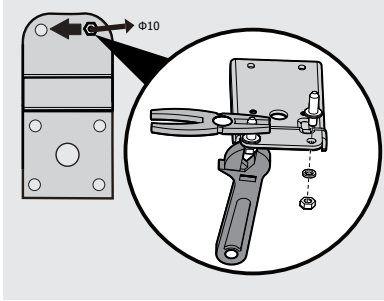
4. Unscrew the door stopper on the right side with a Phillips screwdriver and pry off the stopper with a flat-head screwdriver. Then screw it on the left side.



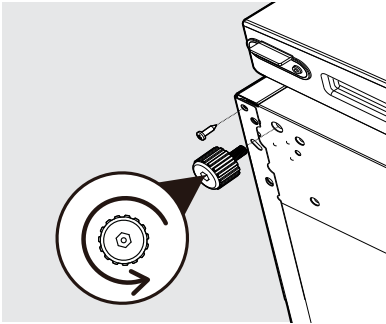
10

DOOR REMOVAL/REVERSAL

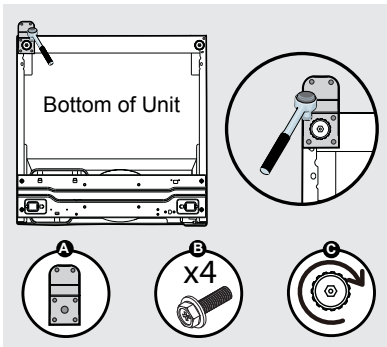
5. Unscrew and insert the hinge pin on the opposite side of the bottom hinge using an adjustable wrench and pliers.



6. Unscrew the left adjustable leveling foot and loosen the screw.



7. Attach the bottom hinge (A) with 4 screws (B) and the adjustable leveling foot (C) on the left side of the cabinet.

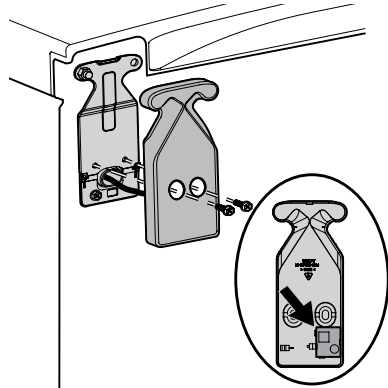


IMPORTANT

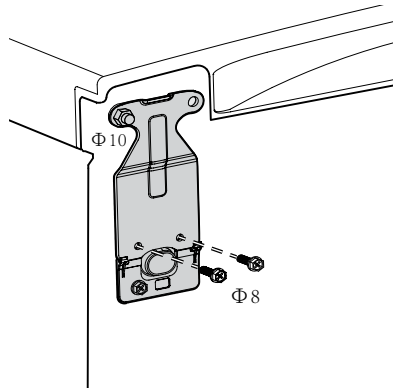
When you screw on the bottom hinge:

- Move the door slightly to the left or right to make sure the hinge hole is aligned with the cabinet hole.
- Insert the 4 screws by half depth, and then align the hinge and fully tighten.

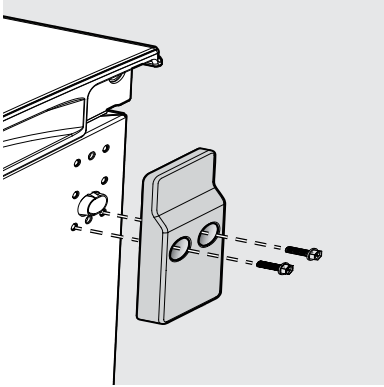
8. Using an 8 mm socket with a ratchet:
- a. Remove the right top hinge cover and unsnap the alarm board; leave the alarm board and wiring attached to the unit.



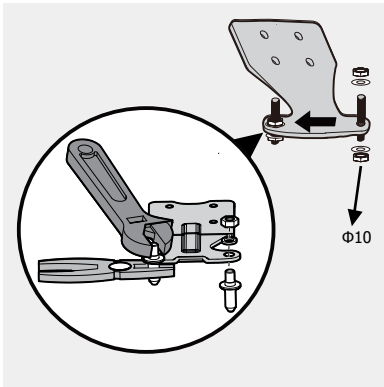
- b. Remove the top hinge from the right side.



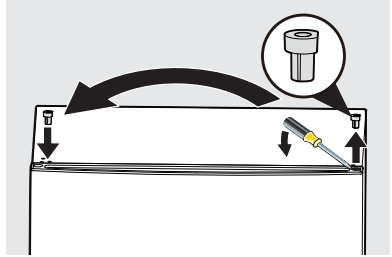
- c. Remove left top decorative cover.



9. Using an adjustable wrench and pliers, move the hinge pin from the right side to the left side.

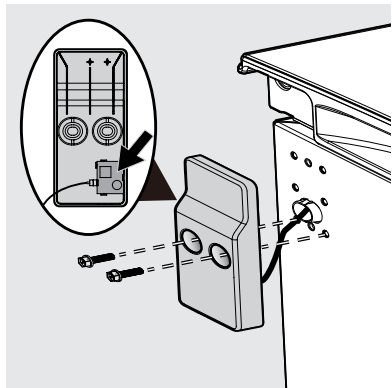


10. With a flat head screwdriver, gently pry upward on hinge pin bearing to remove from door. Reinstall on the opposite side of the door.



11. Attach the hinge and covers.

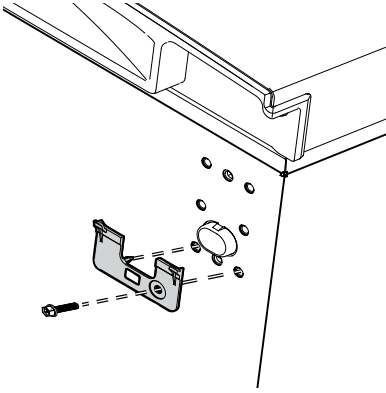
- a. Insert the alarm into the decorative cover and attach the cover to the cabinet.



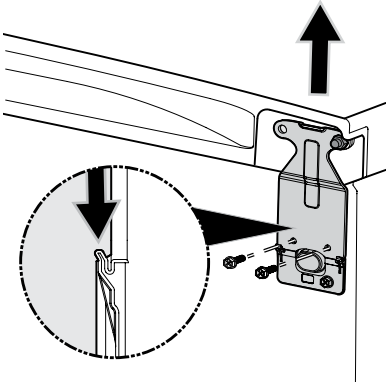
12

DOOR REMOVAL/REVERSAL

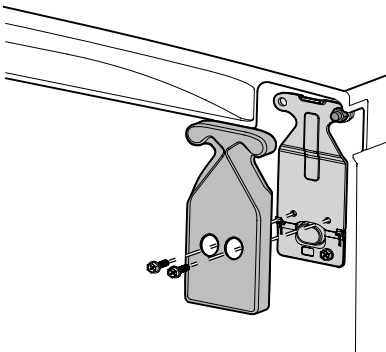
- b. Remove the positioning guide from the accessory bag and attach it to the top left of cabinet.



- c. Insert the hinge into the positioning guide. Move the door up and insert the hinge pin. Attach the hinge onto the cabinet with screws



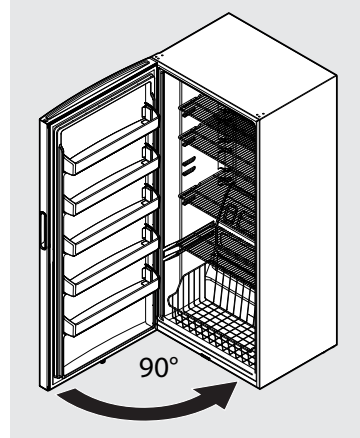
- d. Attach the hinge cover.



CAUTION

This procedure will require 2 people to safely perform.

12. Raise the appliance to the upright position. Open and close the door to check if door moves smoothly.



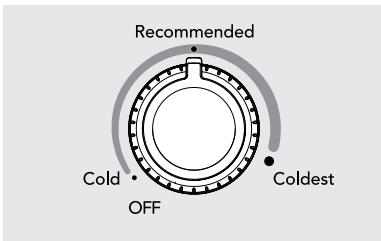
13. Allow 1 hour before plugging the unit back into electrical outlet.

Cool Down Period

- For safe food storage, allow 4 hours for the appliance to cool down completely. The unit will run continuously for the first several hours. You may place already frozen food in the unit after the first few hours of operation. Do **NOT** load unfrozen food into the freezer until freezer has operated for 4 hours.
- When loading the freezer, freeze only 3 lbs of fresh food per cubic foot of freezer space at one time. Distribute packages to be frozen evenly throughout the freezer. It is not necessary to turn control knob to a colder setting while freezing food.

Temperature Control

The temperature control is located inside the freezer on the back wall. The temperature is factory preset to **Recommended** to provide satisfactory food storage temperatures. However, the temperature control is adjustable to provide a range of temperatures for your personal satisfaction. If a colder temperature is desired, turn the temperature control knob toward **COLDEST** and allow several hours for temperatures to stabilize between adjustments. Temperature Range: -10 to +10°F



Temperature Control

Door Ajar Alert

If your door has been left open for 5 minutes or more the audible alert will sound until the door is closed.

Power On Light

The Power On Light indicates the appliance is properly connected to electrical power. The light glows even when the temperature control is turned to OFF. If the light goes out, refer to **Appliance does not run** in the **TROUBLESHOOTING** section. A flashing light with an audible alert indicates a high temp condition (see **Temperature Too warm** in the **TROUBLESHOOTING** section).

High Temp Alert

If the temperature inside the cabinet exceeds 21°F (-6°C), the LED light at the bottom of the cabinet will flash and the alarm will sound. The alarm can be reset by opening and then closing the door. The LED will continue to flash until the cabinet temperature is below 21°F (-6°C).

14 CONTROLS AND SETTINGS

Sabbath Mode

The Sabbath Mode is a feature that disables portions of the appliance and its controls in accordance with observance of the weekly Sabbath and religious holidays within the Orthodox Jewish community.

The Sabbath Mode disables the temperature control knob and mutes all sounds (except the **High Temp** alert and to exit Sabbath Mode). The LED light at the bottom of the cabinet will flash and the **High Temp** alert will sound until you deactivate the Sabbath Mode. Sabbath mode will exit automatically after 80 to 84 hours from the time the unit entered Sabbath Mode, or you can manually exit Sabbath Mode.

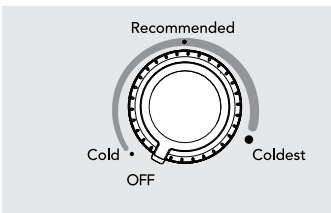
NOTE

The temperature setting is not affected by the Sabbath Mode. For food safety, the **High Temp** alert will sound for 10 minutes if the internal temperature increases.

After 10 minutes, the alarm will stop, but the LED light at the bottom of the cabinet will continue to flash until you deactivate the Sabbath Mode.

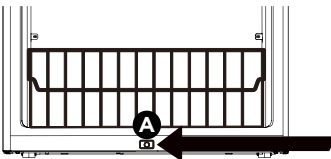
To enter Sabbath Mode:

1. Turn the temperature control to **OFF**.

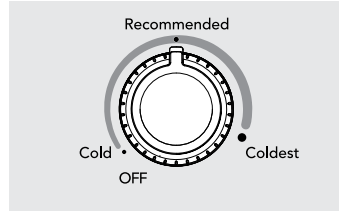


OFF

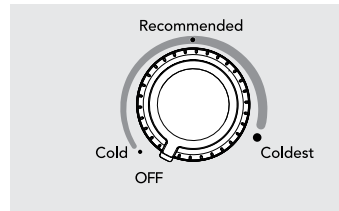
2. Wait for the green LED (A) to turn off.



3. Turn the temperature control slowly to **Recommended** and then back to **OFF**.

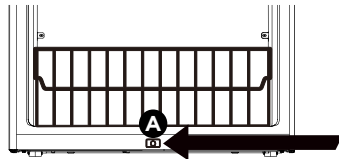


Recommended



OFF

4. Wait for the green LED (A) to turn off.



5. Repeat previous steps 3 times within 20 seconds until you hear a beep after the green LED turns off, which indicates the unit is in Sabbath Mode.

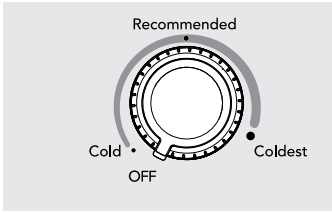
NOTE

While in the Sabbath Mode, the lights will not work until you deactivate Sabbath .

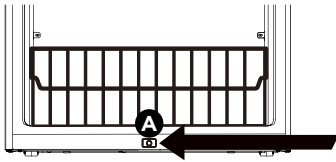
The appliance stays in Sabbath Mode after power failure recovery. You must deactivate it with the temperature control knob.

To manually exit Sabbath Mode:

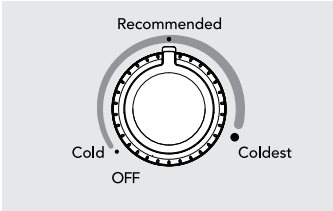
1. Turn the temperature control to **OFF**.



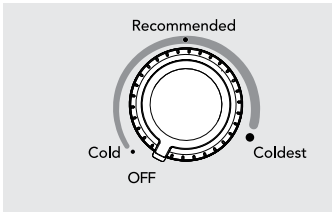
2. Wait for the green LED (A) to turn off.



3. Turn the temperature control slowly to **Recommended** and then back to **OFF**.

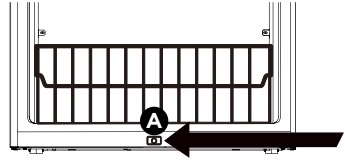


Recommended



OFF

4. Wait for the green LED (A) to turn off.



5. Repeat previous steps 3 times within 20 seconds until you hear a beep after the green LED turns off, which indicates the unit is no longer in Sabbath Mode.



For further assistance, guidelines for proper use and complete list of models with the Sabbath feature, please visit star-k.org.

16

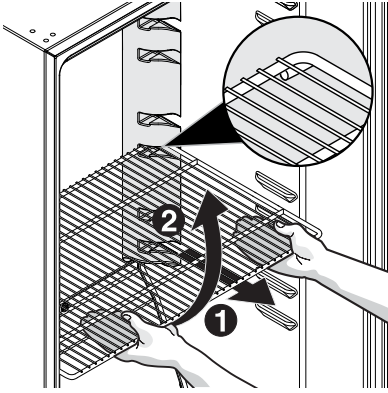
STORAGE FEATURES

Shelf Adjustment

You can easily adjust the appliance shelves to suit individual needs. Before adjusting the shelves, remove all food.

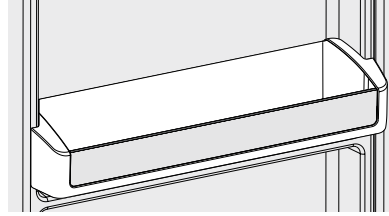
To adjust the sliding shelves, remove the shelves by pulling them forward.

To replace a shelf, rest the side edges on any pair of shelf rails and carefully push the shelf back into position. Make sure the 2 stops at the rear corners of the shelf securely fit into the notches at rear of the liner.



Fixed Door Bin

The fixed door bin is especially designed to hold large containers or freezer bags.





- Do not line shelves and baskets with aluminum foil, wax paper, or paper toweling. Liners interfere with cold air circulation, making the freezer less efficient.
- Organize and label food to reduce door openings and extended searches. Remove as many items as needed at one time, and close door as soon as possible.
- Locate the appliance in the coolest area of the room, away from heat-producing appliances or heating ducts, and out of direct sunlight.
- Let hot foods cool to room temperature before placing them in the unit. Overloading the appliance forces the compressor to run longer. Foods that freeze too slowly may lose quality or spoil.
- Be sure to wrap foods properly and wipe containers dry before placing them in the unit. This cuts down on frost build-up inside the unit.

18 CARE AND CLEANING



CAUTION

Damp objects stick to cold metal surfaces. Do not touch interior metal surfaces with wet or damp hands.

Some upright freezers are frost-free and defrost automatically but should be cleaned occasionally.

Cleaning the Inside

Wash inside surfaces of the unit with a solution of 2 tbsp. (25 g) of baking soda in 1 qt. (1 l) warm water. Rinse and dry. Wring excess water out of the sponge or cloth when cleaning in the area of the controls, or any electrical parts.

Wash the removable parts with the baking soda solution mentioned above, or mild detergent and warm water. Rinse and dry. **Never** use metallic scouring pads, brushes, abrasive cleaners, or alkaline solutions on any surface. Do not wash removable parts in a dishwasher.

Cleaning the Outside

Wash the cabinet with warm water and mild liquid detergent. Rinse well and wipe dry with a clean soft cloth. Replace parts and food.

Do not use razor blades or other sharp instruments, which can scratch the appliance surface when removing adhesive labels. You can remove any glue left from the tape with a mixture of warm water and mild detergent, or touch the residue with the sticky side of the tape already removed. **DO NOT REMOVE THE SERIAL PLATE.**

Vacation and Moving Tips

Short Vacations: Leave the unit operating during vacations of less than 3 weeks.

Long Vacations: If the appliance will not be used for several months, remove all food and unplug the power cord. Clean and dry the interior thoroughly. Leave the door open slightly, blocking it open if necessary, to prevent odor and mold growth.

Moving: Disconnect the power cord plug from the wall outlet. Remove foods, defrost, and clean the appliance. Secure all loose items such as the base panel, baskets, and shelves by taping them securely in place to prevent damage. In the moving vehicle, secure the unit in an upright position to prevent movement. Also protect the outside of the appliance with a blanket, or a similar item.



WARNING

If you leave the door open while on vacation, make certain children cannot get into the appliance and become entrapped.



WARNING

Do not open the door unnecessarily if the unit is off for several hours.

Let us help you troubleshoot your concern! This section will help you with common issues. If you need us, visit our website, chat with an agent, or call us. We may be able to help you avoid a service visit. If you do need service, we can get that started for you!

1-800-374-4432 (United States)
Frigidaire.com

1-800-265-8352 (Canada)
Frigidaire.ca

CONCERN	CAUSE	SOLUTION
APPLIANCE OPERATION		
Appliance does not run.	<ul style="list-style-type: none"> • Appliance is plugged into a circuit that has a ground fault interrupt. • Temperature Control is in the OFF position or POWER OFF position. • Appliance may not be plugged in or plug is loose. • Hose fuse blown or tripped circuit breaker. • Power outage 	<ul style="list-style-type: none"> • Use another circuit. If you are unsure about the outlet, have it checked by a certified technician. • See the CONTROLS AND SETTINGS section. • Ensure plug is tightly pushed into outlet. • Check/replace fuse with a 15-amp timedelay fuse. Reset circuit breaker. • Check house lights. Call local electric company.
Appliance runs too much or too long.	<ul style="list-style-type: none"> • Room or outside weather is hot. • Appliance has recently been disconnected for a period of time. • Large amounts of warm or hot food have been stored recently. • Door is opened too frequently or too long. • Door may be slightly open. • Temperature control is set too low. • Gaskets are dirty, worn, cracked, or poorly fitted. 	<ul style="list-style-type: none"> • It's normal for the appliance to work longer under these conditions. • It may take 4 hours for the appliance to cool down completely. • Warm food will cause appliance to run more until the desired temperature is reached. • Warm air entering the appliance causes it to run more. Open door less often. • Ensure door is tightly closed. • Turn control knob to a warmer setting. Allow several hours for the temperature to stabilize. • Clean or change gasket. Leaks in door seal will cause appliance to run longer in order to maintain desired temperatures.
APPLIANCE TEMPERATURES		
Interior appliance temperature is too cold.	<ul style="list-style-type: none"> • Control is set too low. 	<ul style="list-style-type: none"> • Set control to a warmer setting. Allow several hours for temperature to stabilize.

20 TROUBLESHOOTING

CONCERN	CAUSE	SOLUTION
Temperature inside appliance is too warm.	<ul style="list-style-type: none"> • Control is set too warm. • Door is opened too frequently or too long. • Door may not be seating properly. • Large amounts of warm or hot food has been stored recently. • Unit has recently been disconnected for a period of time. 	<ul style="list-style-type: none"> • Turn control to a colder setting. Allow several hours for temperature to stabilize. • Warm air enters the appliance every time the door is opened. Open door less often. • See DOOR PROBLEMS in the TROUBLESHOOTING section. • Warm food will cause appliance to run more until the desired temperature is reached. • Appliance may take up to 4 hours to cool down completely.
External temperature is too warm.	<ul style="list-style-type: none"> • The external walls can be as much as 30°F warmer than room temperature. 	<ul style="list-style-type: none"> • This is normal while the compressor works to transfer heat from inside the cabinet.
SOUND AND NOISE		
Louder sound levels whenever appliance is on.	<ul style="list-style-type: none"> • Modern appliances have increased storage capacity and more stable temperatures. They require heavy-duty compressors. 	<ul style="list-style-type: none"> • This is normal. When the surrounding noise level is low, you might hear the compressor running while it cools the interior.
Longer sound levels when compressor comes on.	<ul style="list-style-type: none"> • Appliance operates at higher pressures during the start of the ON cycle. 	<ul style="list-style-type: none"> • This is normal. Sound will level off or disappear as appliance continues to run.
Popping or cracking sound when compressor comes on. Bubbling or gurgling sound.	<ul style="list-style-type: none"> • Metal parts undergo expansion and contraction, as in hot water pipes. • Refrigerant (used to cool the appliance) is circulating throughout the system. 	<ul style="list-style-type: none"> • This is normal. Sound will level off or disappear as appliance continues to run. • This is normal.
Vibrating or rattling noise.	<ul style="list-style-type: none"> • Appliance is not level. It rocks on the floor when it is moved slightly. • Floor is uneven or weak. • Appliance is touching the wall. 	<ul style="list-style-type: none"> • Level the appliance. Refer to Leveling in the INSTALLATION section. • Ensure floor can adequately support the appliance. Level the appliance by putting wood or metal shims under part of the appliance. • Re-level appliance or move appliance slightly. Refer to Leveling in the INSTALLATION section.
WATER / MOISTURE / FROST INSIDE APPLIANCE		
Moisture forms on inside walls.	<ul style="list-style-type: none"> • Weather is hot and humid. • Door may not be seating properly. • Door is opened too often or too long. 	<ul style="list-style-type: none"> • The rate of frost buildup and internal sweating increases. This is normal. • See DOOR PROBLEMS in the TROUBLESHOOTING section. • Open door less often.

CONCERN	CAUSE	SOLUTION
WATER / MOISTURE / FROST OUTSIDE APPLIANCE		
Moisture forms on outside.	<ul style="list-style-type: none"> • Door may not be seating properly, causing cold air from inside to meet warm air from outside. 	<ul style="list-style-type: none"> • See DOOR PROBLEMS in the TROUBLESHOOTING section.
ODOR IN APPLIANCE		
Odors in appliance.	<ul style="list-style-type: none"> • Interior needs to be cleaned. • Foods with strong odors are in the appliance. 	<ul style="list-style-type: none"> • Clean interior with sponge, warm water, and baking soda. • Cover the food tightly.
DOOR PROBLEMS		
Door will not close.	<ul style="list-style-type: none"> • Appliance is not level. It rocks on the floor when it is moved slightly. • Floor is uneven or weak. 	<ul style="list-style-type: none"> • This condition can force the cabinet out of square and misalign the door. Refer to Leveling in the INSTALLATION section. • Level the floor by using wood or metal shims under the appliance or brace floor supporting the appliance.
LIGHTING PROBLEMS		
Power Available Light is not on	<ul style="list-style-type: none"> • LED may be burned out. • No electric current is reaching the appliance. • The door has been left open for more than 5 minutes. 	<ul style="list-style-type: none"> • Contact a qualified service dealer. • See Appliance does not run in the TROUBLESHOOTING section. • Close the door.

Your appliance is covered by a one year limited warranty. For one year from your original date of purchase, Electrolux will pay all costs for repairing or replacing any parts of this appliance that prove to be defective in materials or workmanship when such appliance is installed, used and maintained in accordance with the provided instructions.

Exclusions

This warranty does not cover the following:

1. Products with original serial numbers that have been removed, altered or cannot be readily determined.
2. Product that has been transferred from its original owner to another party or removed outside the USA or Canada.
3. Rust on the interior or exterior of the unit.
4. Products purchased "as-is" are not covered by this warranty.
5. Food loss due to any Appliance or freezer failures.
6. Products used in a commercial setting.
7. Service calls which do not involve malfunction or defects in materials or workmanship, or for appliances not in ordinary household use or used other than in accordance with the provided instructions.
8. Service calls to correct the installation of your appliance or to instruct you how to use your appliance.
9. Expenses for making the appliance accessible for servicing, such as removal of trim, cupboards, shelves, etc., which are not a part of the appliance when it is shipped from the factory.
10. Service calls to repair or replace appliance light bulbs, air filters, water filters, other consumables, or knobs, handles, or other cosmetic parts.
11. Surcharges including, but not limited to, any after hour, weekend, or holiday service calls, tolls, ferry trip charges, or mileage expense for service calls to remote areas, including the state of Alaska.
12. Damages to the finish of appliance or home incurred during installation, including but not limited to floors, cabinets, walls, etc.
13. Damages caused by: services performed by unauthorized service companies; use of parts other than genuine Electrolux parts or parts obtained from persons other than authorized service companies; or external causes such as abuse, misuse, inadequate power supply, accidents, fires, or acts of God.

DISCLAIMER OF IMPLIED WARRANTIES; LIMITATION OF REMEDIES

CUSTOMER'S SOLE AND EXCLUSIVE REMEDY UNDER THIS LIMITED WARRANTY SHALL BE PRODUCT REPAIR OR REPLACEMENT AS PROVIDED HEREIN. CLAIMS BASED ON IMPLIED WARRANTIES, INCLUDING WARRANTIES OF MERCHANTABILITY OR FITNESS FOR A PARTICULAR PURPOSE, ARE LIMITED TO ONE YEAR OR THE SHORTEST PERIOD ALLOWED BY LAW, BUT NOT LESS THAN ONE YEAR. ELECTROLUX SHALL NOT BE LIABLE FOR CONSEQUENTIAL OR INCIDENTAL DAMAGES SUCH AS PROPERTY DAMAGE AND INCIDENTAL EXPENSES RESULTING FROM ANY BREACH OF THIS WRITTEN LIMITED WARRANTY OR ANY IMPLIED WARRANTY. SOME STATES AND PROVINCES DO NOT ALLOW THE EXCLUSION OR LIMITATION OF INCIDENTAL OR CONSEQUENTIAL DAMAGES, OR LIMITATIONS ON THE DURATION OF IMPLIED WARRANTIES, SO THESE LIMITATIONS OR EXCLUSIONS MAY NOT APPLY TO YOU. THIS WRITTEN WARRANTY GIVES YOU SPECIFIC LEGAL RIGHTS. YOU MAY ALSO HAVE OTHER RIGHTS THAT VARY FROM STATE TO STATE.

If You Need Service

Keep your receipt, delivery slip, or some other appropriate payment record to establish the warranty period should service be required. If service is performed, it is in your best interest to obtain and keep all receipts. Service under this warranty must be obtained by contacting Electrolux at the addresses or phone numbers below.

This warranty only applies in the USA and Canada. In the USA, your appliance is warranted by Electrolux Major Appliances North America, a division of Electrolux Home Products, Inc. In Canada, your appliance is warranted by Electrolux Canada Corp. Electrolux authorizes no person to change or add to any obligations under this warranty. Obligations for service and parts under this warranty must be performed by Electrolux or an authorized service company. Product features or specifications as described or illustrated are subject to change without notice.

USA
1-800-374-4432
 Frigidaire
 10200 David Taylor Drive
 Charlotte, NC 28262



Electrolux

Canada
1.800.265.8352
 Electrolux Canada Corp.
 5855 Terry Fox Way
 Mississauga, Ontario, Canada
 L5V 3E4

FRIGIDAIRE®

welcome **home**

Our home is your home. Visit us if you need help with any of these things:



owner support



accessories



service



registration

(See your registration card for more information.)

Frigidaire.com
1-800-374-4432

Frigidaire.ca
1-800-265-8352