

EN User Manual | Chest Freezer



Welcome to our family

Thank you for bringing Frigidaire into your home! We see your purchase as the beginning of a long relationship together.

This manual is your resource for the use and care of your product. Please read it before using your appliance. Keep it handy for quick reference. If something doesn't seem right, the troubleshooting section will help you with common issues.

FAQ, helpful tips and videos, cleaning products, and kitchen and home accessories are available at <http://www.frigidaire.com>.

We are here for you! Visit our website, chat with an agent, or call us if you need help. We may be able to help you avoid a service visit. If you do need service, we can get that started for you.

Let's make it official! Be sure to register your product.

CONTENTS

1. IMPORTANT SAFETY INFORMATION.....	2
2. FEATURES: FULL-SIZE DESIGN	5
3. INSTALLATION.....	6
4. SAVING ENERGY.....	8
5. CONTROLS AND SETTINGS.....	8
6. CARE AND CLEANING.....	9
7. POWER FAILURE.....	10
8. TROUBLESHOOTING.....	11
9. LIMITED WARRANTY.....	13

1. IMPORTANT SAFETY INFORMATION

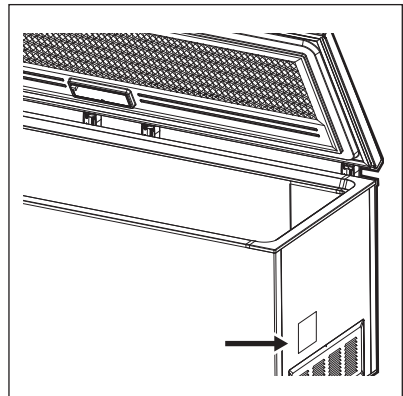
1.1 Keep a record for quick reference

Model number

Serial number

Purchase date

1.2 Serial number location



 **WARNING!**

You must follow these guidelines to ensure that your refrigerator's safety mechanisms are operating correctly.

1.3 Safety definitions



This is the safety alert symbol. It is used to alert of potential personal injury hazards. Obey all safety messages that follow this symbol to avoid possible injury or death.

 **DANGER**

DANGER indicates an imminently hazardous situation which, if not avoided, will result in death or serious injury.

 **WARNING!**

WARNING indicates a potentially hazardous situation which, if not avoided, could result in death or serious injury.

 **CAUTION!**

CAUTION indicates a potentially hazardous situation which, if not avoided, may result in minor or moderate injury.

 **IMPORTANT**

IMPORTANT indicates installation, operation or maintenance information which is important but not hazard-related.

1.4 Child safety

This appliance is not intended for use by persons (including children) with reduced physical, sensory or mental capabilities, or lack of experience and knowledge, unless they have been given supervision or instruction concerning use of the appliance by a person responsible for their safety.

Destroy or recycle the carton, plastic bags, and any exterior wrapping material immediately after the appliance is unpacked. Children should never use these items to play. Cartons covered with rugs, bedspreads, plastic sheets or stretch wrap may become airtight chambers, and can quickly cause suffocation.

1.5 Important safety instructions

 **DANGER**



DANGER Risk of fire or explosion. Flammable refrigerant used. Do not use mechanical devices to defrost the appliance. Do not puncture refrigerant tubing.

DANGER Risk of fire or explosion. Flammable refrigerant used. To be repaired only by trained service personnel. Use only manufacturer-authorized service parts. Any repair equipment used must be designed for flammable refrigerants. Follow all manufacturer repair instructions. Do not puncture refrigerant tubing.

 **CAUTION!**



CAUTION Risk of fire or explosion due to puncture of refrigerant tubing. Follow handling instructions carefully. Flammable refrigerant used.

This appliance is for storage only and should not be used for any other purpose.

Do not store or use gasoline or other flammable vapors and liquids in the vicinity of this or any other appliance.

Do not store explosive substances such as aerosol cans with a flammable propellant in this appliance.

Do not operate the appliance in the presence of explosive fumes. Avoid contact with any moving parts of automatic ice maker.

Remove all staples from the carton. Staples can cause severe cuts, and also destroy finishes if they come in contact with other appliances or furniture.

⚠ WARNING!

Do not use electrical appliances inside the food storage compartments of the appliance unless they are of the type recommended by the manufacturer.

⚠ WARNING!

CALIFORNIA RESIDENTS ONLY
WARNING! Cancer and Reproductive Harm <http://www.P65Warnings.ca.gov>

1.6 Proper disposal of your appliance

⚠ CAUTION!

CAUTION Risk of fire or explosion. Dispose of the appliance properly in accordance with the applicable federal or local regulations. Flammable refrigerant used.



Risk of child entrapment

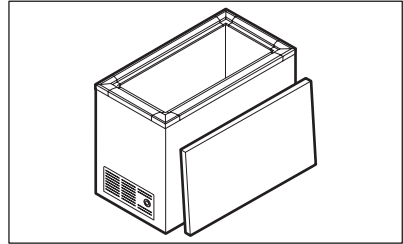
Child entrapment and suffocation are not problems of the past. Junked or abandoned appliances are still dangerous – even if they will sit for “just a few days”. If you are getting rid of your old appliance, follow the instructions below to help prevent accidents.

We strongly encourage responsible appliance recycling/disposal methods. Check with your utility

company or visit <http://www.energystar.gov/recycle> for more information on recycling your old appliance.

Before you throw away your old appliance:

- Remove doors.
- Leave shelves in place so children may not easily climb inside.
- Have it removed by a qualified service technician.



1.7 Electrical information

- The appliance must be plugged into its own dedicated 115 Volt, 60 Hz., 15 Amp, AC only electrical outlet. The power cord of the appliance is equipped with a three-prong grounding plug for your protection against electrical shock hazards. It must be plugged directly into a properly grounded three-prong receptacle. The receptacle must be installed in accordance with local codes and ordinances. Consult a qualified electrician. Do not use an extension cord or adapter plug.

⚠ WARNING!

Avoid fire hazard or electric shock.

- If the power cord is damaged, it should be replaced by an authorized service technician to prevent any risk.
- Never unplug the appliance by pulling on the power cord. Always grip the plug firmly, and pull straight out from the receptacle to prevent damaging the power cord.
- Unplug the appliance before cleaning and before replacing the light bulb to avoid electrical shock.

- Performance may be affected if the voltage varies by 10% or more. Operating the appliance with insufficient power can damage the compressor. Such damage is not covered under your warranty.
- Do not plug the unit into an electrical outlet controlled by a wall switch or pull cord to prevent the appliance from being turned off accidentally.
- Do not pinch, knot, or bend the power cord in any manner.
- To ensure safety, it is not recommended to place electrical appliances on top or inside the freezer.

⚠ WARNING!

When positioning the appliance, ensure the supply cord is not trapped or damaged.

Do not locate multiple portable socket-outlets or portable power supplies at the rear of the appliance.

⚠ WARNING!

Do not, under any circumstances, cut, remove, or bypass the grounding prong (A). Always use the power cord with a three-prong grounded plug and grounding type wall receptacle.



1.8 Other precautions

- Gaps between the freezer doors and between doors and the freezer body are small.

📌 NOTE

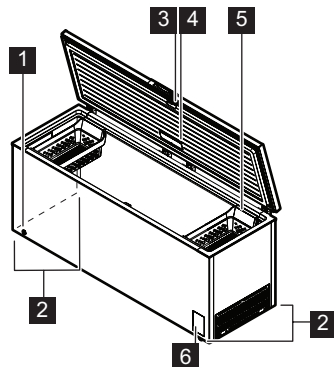
Do not put your hand in these areas to prevent squeezing.

- Do not place items such as bottled or sealed containers of fluid in the freezer to prevent bursts and other losses.

2. FEATURES: FULL-SIZE DESIGN

⚠ WARNING!

To prevent a child from being entrapped, keep keys out of reach of children and not in the vicinity of freezer.



1 Defrost drain plug

The defrost drain provides a method of draining the water during defrosting

ans cleaning. Refer to Defrosting in Care and Cleaning.

2 Rollers

Refer to Installation.

3 Security lock with a pop-out key

The Security Lock feature fastens the lid, ensuring the stored food is secure. To lock or unlock the appliance, push the key into the lock and turn. The key pops out of the lock once it is turned.

4 LED Light

The appliance is equipped with maintenance-free LED lighting. For

replacements, contact an authorized service technician.

5 Slide-Aside basket

This basket organizes odd-shaped items. Slide or lift it to access other packages in the freezer.

6 Temperature Control Panel

It allows you to adjust the temperature setting of the appliance. For more information, refer to Controls and Settings.

3. INSTALLATION

This User Manual provides general installation and operating instructions for your model. We recommend using a service or kitchen contracting professional to install your appliance. Use the appliance only as instructed in this User Manual. Before starting the appliance, follow these important first steps.

3.1 Location

- If possible, place the appliance out of direct sunlight and away from the range, dishwasher, or other heat sources.
- The appliance must be installed on a floor that is level and strong enough to support a fully loaded appliance.

WARNING!

This appliance is intended for use in residential household and similar interior applications such as:

- Kitchen / kitchenette
- Pantry room
- Basement
- Enclosed garage
- Other interior residential type environments

Do not use an extension cord or ungrounded (2-prong) adapter. At the rear of the freezer, pull the power cord straight out of the protective shipping enclosure and unwind enough of the power cord to plug into the electrical outlet.

CAUTION!

This appliance is convertible and can operate as a refrigerator or a freezer. Do not install the appliance where the temperature drops below:

- Refrigerator: 38 °F (3 °C).
- Freezer: 0°F (-18°C).

The compressor will not be able to maintain proper temperatures inside the appliance.

WARNING!

Allow the following clearances for ease of installation, proper air circulation, plumbing, and electrical connections:

- Sides 7.87" (200 mm)
- Back 7.87" (200 mm)



Use this appliance only at altitudes lower than 2000 meters.

NOTE

The exterior walls of the appliance may become warm as the compressor transfers heat from the inside. The temperatures may be even 30°F higher than the room temperature. In hotter climates it is important to allow enough space for air circulation around the appliance.

3.2 Insulation

The insulated space of this cabinet is sealed to maintain peak efficiency. Do not drill holes in the cabinet. Holes drilled in the cabinet may destroy that seal and damage electrical wiring located in the insulated space. It may also pierce and damage the sealed refrigeration system in the insulated space.

IMPORTANT

Damaged electrical wiring or wet insulation caused by drilling will void the warranty.

3.3 Hinge Maintenance

Hinges wear with time. This can cause noise when you open or close the appliance and reduce hinge service life. Grease the hinges regularly to reduce noise and extend hinge service life.

3.4 Caster Installation

(some models)

WARNING!

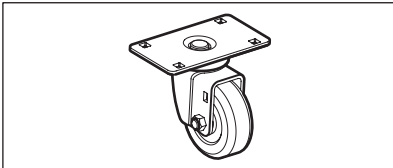
Unplug the appliance from power source and empty contents before caster installation. Lock and secure the lid to prevent opening during caster installation.

The appliance comes with a caster installation kit shipped in the basket of chest freezer. The casters allow ease of moving the appliance to its final location. The casters can then be locked into place.

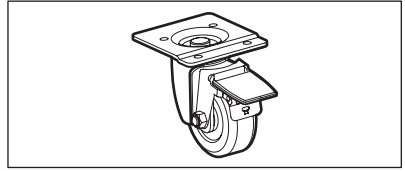
This installation procedure requires a Philips™ screwdriver.

Caster kit consists of:

- 2 or 4 casters without brakes (A), depending on appliance size.



- 2 Casters with brakes (B).



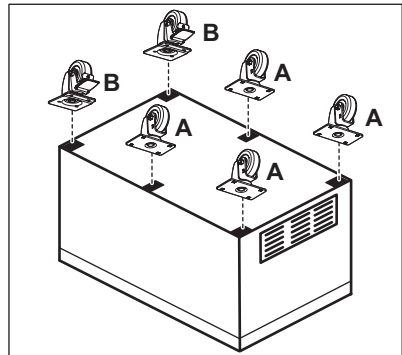
- 4 screws per caster.

CAUTION!

Two or more people are required to rotate and tilt the freezer on its back, allowing accessibility to all sides.

To install the casters:

1. Move freezer to a work area that provides sufficient clearance on all 4 sides to allow easy handling and access to the freezer.
2. Cover the floor area behind the freezer with a protective material to prevent damage while it is resting on its back during the caster installation.
3. Remove the leveling feet installed on the appliance by unscrewing counterclockwise.
4. Remove casters and screws from the caster kit. Install the A casters on the right front and rear compressor side of the appliance. Install the B casters on the left front and rear of the appliance with brake lever facing outside. Align the caster holes with the corresponding screw holes in the mounting locations.



5. After casters are installed, with the help of an assistant, carefully lift and rotate the freezer to its upright position. Move the freezer to the desired location, and engage the brakes.

- Wait a minimum of 2 hours before connecting the appliance to an AC power source. Refer to Electrical Information in Important Safety Information.
- Load the freezer after the desired operating temperature is reached.

⚠ WARNING!

Casters with brakes are to stop the appliance movement on level ground only. They are not intended to prevent movement on an uneven or sloping floor.

4. SAVING ENERGY

For optimal appliance performance and food quality:

- Place the freezer in the coolest area of the room, away from heat-producing appliances, heating ducts, and direct sunlight.
- Allow hot foods to cool to room temperature before placing them in the freezer. Overloading the freezer can cause the freezer compressor to run

longer. Foods that freeze too slowly may lose quality or spoil.

- Wrap foods properly and ensure containers are dry before placing them in the freezer to prevent frost buildup.
- Organize and label food to minimize lid openings and search time. Take out all needed items at once and close the lid promptly.

5. CONTROLS AND SETTINGS

Switching On/Off

To switch on the appliance, connect the power cord to the outlet.

To switch off the appliance, disconnect the power cord from the outlet.

5.1 Cool Down Period

To ensure safe food storage, allow the appliance to operate with the doors closed for at least 4 hours. The appliance runs continuously during this time.

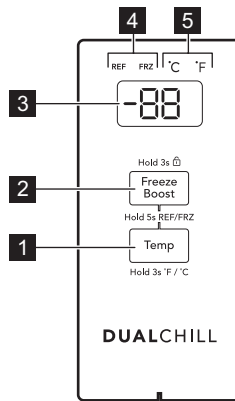
You can place already frozen foods in the freezer a few hours after it starts running. Wait at least 4 hours before adding unfrozen foods.

Freezing fresh food

Place up to 3 pounds of fresh food per cubic foot of freezer space at one time. Distribute the packages evenly to ensure uniform freezing. It is not necessary to adjust the temperature control while freezing food.

5.2 Temperature Control

The temperature control panel and available functions may vary by model.



1 Temperature Setting

Press the Temp button to display the temperature. Press the Temp button repeatedly to cycle through the temperature settings. The temperature settings range:

- Freezer: from 10°F (-12°C) to -11°F (-24°C).
- Refrigerator: from 32°F (0°C) to 50°F (10°C).

2 Freeze Boost

To activate or deactivate this function, press the Freeze Boost button. The display shows Fb.

NOTE

Freezer Boost is available in freezer mode only.

3 Temperature Display

- Displays current appliance temperature.
- High Temperature Alert
If the temperature exceeds the set level, the display shows HI. Press any button to clear the alert.

4 REF FRZ indicators

This appliance is convertible and can operate as a refrigerator or a freezer. The indicator shows the current mode. To switch between refrigerator and freezer modes, press and hold the Freezer Boost and Temp buttons simultaneously for 5 seconds.

IMPORTANT

To ensure optimal performance when switching between modes:

- Empty the appliance completely before changing modes.
- Dry the interior thoroughly to remove any frost or condensation.
- Wait 6 to 24 hours for the temperature to stabilize before reloading.

5 °C/°F

Press and hold the Temp button for 3 seconds to change the temperature unit.

Lock/Unlock

To lock or unlock the temperature setting, press and hold the Freeze Boost button for 3 seconds. The display blinks twice to confirm the setting.

If you attempt to change a setting while the lock is active, the display blinks twice. Unlock to change the settings.

6. CARE AND CLEANING

6.1 Defrosting

Before defrosting

To avoid frequent defrosting, use a plastic scraper to remove frost. Scrape with a pulling motion.

IMPORTANT

Do not use metal instruments to remove the frost.

It is important to defrost and clean the freezer when 1/4 to 1/2" of frost has accumulated.

WARNING!

Always unplug the appliance prior to defrosting.
Never unplug the appliance by pulling on the power cord. Always grip the plug firmly and pull straight out from the receptacle.

IMPORTANT

Turning the control to OFF turns off the compressor, but does not disconnect power to other electrical components.

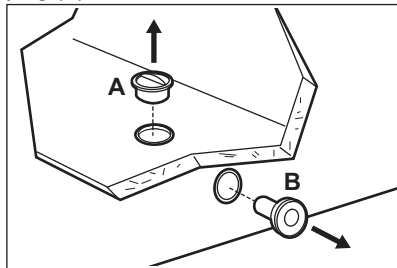
Defrosting

Frost may accumulate faster on the upper part of the freezer due to warm, moist air entering the appliance when it is open.

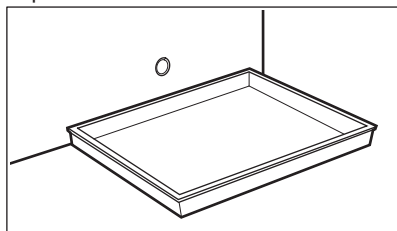
Remove food and leave the lid open when defrosting the appliance.

If the frost is soft, remove it by using a plastic scraper.

If the frost is glazed and hard, start by unscrewing the drain plug on the freezer floor (A). Then, unscrew the outside drain plug (B).



Place a shallow pan beneath the drain outlet to collect the water. Check the pan to prevent overflow.



Once defrosting is complete, replace the drain plugs.

6.2 Cleaning the Interior

Clean the appliance after defrosting.

Prepare a cleaning solution by mixing 2 tablespoons (25 grams) of baking soda with 1 quart (1.14 liters) of warm water. After applying the solution, rinse and dry the surface thoroughly. When cleaning

around controls or electrical parts, wring out excess water from the sponge or cloth.

Wash the removable parts with the same baking soda solution, or mild detergent and warm water. Rinse and dry the surface thoroughly.

IMPORTANT

Do not use metallic scouring pads, brushes, abrasive cleaners, or alkaline solutions on any surface. Do not wash removable parts in a dishwasher.

6.3 Cleaning the Exterior

Clean the appliance using warm water and a mild liquid detergent. Rinse thoroughly and wipe dry with a clean, soft cloth. Replace all parts and food items.

Long Vacations

For longer periods of non-operation, remove all food and unplug the freezer. Clean and dry the interior thoroughly. To prevent odors and mold, leave the lid slightly open, using a block if necessary.

! WARNING!

If leaving the lid open while on vacation, make certain that children cannot get into the appliance and become entrapped.

Moving

Unplug the power cord from the wall outlet. Remove all food, defrost, and clean the appliance. Tape down any loose items, such as baskets, to prevent damage. In the moving vehicle, keep the freezer upright and secure it to prevent movement. Protect the exterior with a blanket or similar covering.

7. POWER FAILURE

NOTE

Do not open freezer lid unnecessarily if the appliance is off for several hours.

If a power failure occurs, keep the lid closed to ensure frozen foods stay frozen for at least 120 hours.

If the outage lasts longer, add 7 to 8 pounds of dry ice to the freezer every 24 hours. To find dry ice, check local listings under "Dry Ice," "Dairies," or "Ice Cream Manufacturers."

CAUTION!

Always wear gloves and handle dry ice carefully.

When power is restored, all settings except for Freeze Boost resume operation.

E2: Temperature sensor failure

If the failure code E2 appears on the display, contact your service provider.

If the appliance stops operating, refer to Troubleshooting. If you cannot solve the problem, call an authorized service.

8. TROUBLESHOOTING

Let us help you troubleshoot your concern! This section will help you with common issues. If you need us, visit our website, chat with an agent, or call us. We may be able to help you avoid a service visit. If you do need service, we can get that started for you! Visit Frigidaire.com or call toll-free 1-800-374-4432.

8.1 Appliance Operation

Concern	Potential cause	Common Solution
Appliance does not run.	The appliance is not plugged in or plug is loose.	Ensure plug is tightly pushed into the outlet.
	House fuse blown or tripped circuit breaker.	Check/replace fuse with a 15-amp time delay fuse. Reset circuit breaker.
	Power outage.	Check house lights. Contact a qualified electrician.
	The appliance may not operate consistently if placed for an extended period in a location where the temperature is below the appliance designed operating range.	Place the appliance in a location within its designated temperature range. Refer to Installation.
Appliance runs too much or too long.	Either the room or the weather outside is hot.	It is normal for the freezer to work longer under these conditions.
	The appliance was disconnected for a period of time.	It takes 4 hours for the freezer to cool down completely.
	Large amounts of warm or hot food were placed in the appliance.	Warm food causes the appliance to run more until it reaches the set temperature.
	Lid is opened too frequently or for too long.	Warm air entering the appliance causes it to run more. Open the lid less often.
	Lid is slightly open.	Ensure the lid is closed tightly.
	Temperature control is set too cold.	Set a warmer temperature setting. Allow for the temperature to stabilize.
	Gasket is dirty, worn, cracked, or poorly fitted.	Clean or change the gasket. Leaks in the lid seal cause the appliance to run longer in order to maintain desired temperatures.
	Freeze Boost is active.	Deactivate Freeze Boost.

8.2 Appliance Temperatures

Concern	Potential Cause	Common Solution
Interior temperature is too cold.	The temperature setting is too cold.	Choose warmer setting. Allow for the temperature to stabilize.
	Freeze Boost is active.	Deactivate Freeze Boost.
Interior temperature is too warm.	The temperature setting is too warm.	Choose colder setting. Allow for the temperature to stabilize.
	Lid is opened too frequently or for too long.	Warm air enters the appliance every time the lid is opened. Open the lid less often.
	Lid is not properly aligned.	Refer to Lid problems in Troubleshooting
	Large amounts of warm or hot food were placed in the appliance.	Allow for the temperature to reach the set level.
External temperature is warm.	The appliance was recently disconnected for a period of time.	The appliance requires 24 hours to cool down completely.
	The external walls may be up to 30°F warmer than the ambient room temperature.	This is normal. The compressor works to transfer heat from inside the appliance.
	The appliance may not operate consistently if placed for an extended period in a location where the temperature is below the appliance designed operating range.	Place the appliance in a location within its designated temperature range. Refer to Installation

8.3 Sound and noise

Concern	Potential Cause	Common Solution
Increased noise levels when the appliance is operating.	The increased storage capacity and improved temperature stability result in a louder compressor during operation.	This is normal. When the surrounding noise level is low, you may hear the compressor running.
There are longer sound durations when the compressor comes on.	The appliance operates at higher pressures when it first turns on.	This is normal. The sound decreases or vanishes as the appliance operates.
Popping or cracking sound when compressor comes on.	Metal parts expand and contract, similar to hot water pipes.	This is normal. The sound decreases or vanishes as the appliance operates.
Bubbling or gurgling sound, similar to water boiling.	Refrigerant is circulating throughout the system to cool the appliance.	This is normal.
Vibrating or rattling noise.	The appliance is not level. It rocks on the floor when it is moved slightly.	Level the appliance. Refer to Leveling in Installation.
	Floor is uneven or weak. The appliance rocks on the floor when it is moved slightly.	Ensure the floor can adequately support the appliance. Refer to Leveling in Installation.
	The appliance is touching the wall.	Level the appliance or move it slightly away from the wall.

8.4 Water/moisture/frost inside the appliance

Concern	Potential Cause	Common Solution
Moisture forms on the interior walls.	Weather is hot and humid.	This is normal. Frost build-up and internal moisture increase due to the conditions.
	Lid is not properly aligned.	Refer to Lid problems in Troubleshooting.
	Lid is opened too frequently or for too long.	Open the lid less often.

8.5 Odor in the appliance

Concern	Potential Cause	Common Solution
Odor in the appliance.	The interior needs cleaning.	Clean the interior with a sponge, warm water, and baking soda solution. Refer to Care and Cleaning.
	There are foods with strong odors stored in the appliance.	Cover the food tightly.

8.6 Lid problems

Concern	Potential Cause	Common Solution
Lid does not close.	The appliance is not level. It rocks on the floor when slightly moved.	This condition may cause the cabinet to become distorted, resulting in the lid not fitting properly. Refer to Leveling in Installation.
	Floor is uneven or weak. The appliance rocks on the floor when slightly moved.	Level the appliance or brace the floor.

8.7 Light issues

Concern	Potential Cause	Common Solution
The appliance light is not on.	LED is burned out.	Contact a qualified service technician.
	There is no electrical current reaching the appliance.	Refer to Freezer operation in Troubleshooting.

9. LIMITED WARRANTY

Your appliance is covered by a one year limited warranty. For one year from your date of delivery, Electrolux will pay all costs for repairing or replacing any parts of this appliance that prove to be defective in materials or workmanship when such appliance is installed, used and maintained in accordance with the provided instructions.

Exclusions

This warranty does not cover the following:

1. Products with original serial numbers that have been removed, altered or cannot be readily determined.
2. Product that has been transferred from its original owner to another party or removed outside the USA, Puerto Rico, or Canada.

3. Rust on the interior or exterior of the unit.
4. Products purchased “as-is” are not covered by this warranty.
5. Food loss due to any refrigerator or freezer failures.
6. Products used in a commercial setting.
7. Service calls which do not involve malfunction or defects in materials or workmanship, or for appliances not in ordinary household use or used other than in accordance with the provided instructions.
8. Service calls to correct the installation of your appliance or to instruct you how to use your appliance.
9. Expenses for making the appliance accessible for servicing, such as removal of trim, cupboards, shelves, etc., which are not a part of the appliance when it is shipped from the factory.
10. Service calls to repair or replace appliance light bulbs, air filters, water filters, other consumables, or knobs, handles, or other cosmetic parts.
11. Surcharges including, but not limited to, any after hour, weekend, or holiday service calls, tolls, ferry trip charges, or mileage expense for service calls to remote areas, including the state of Alaska.
12. Damages to the finish of appliance or home incurred during transportation or installation, including but not limited to floors, cabinets, walls, etc.
13. Damages caused by: services performed by unauthorized service companies; use of parts other than genuine Electrolux parts or parts obtained from persons other than authorized service companies; or external causes such as abuse, misuse, inadequate power supply, accidents, fires, or acts of God.

DISCLAIMER OF IMPLIED WARRANTIES; LIMITATION OF REMEDIES

CUSTOMER'S SOLE AND EXCLUSIVE REMEDY UNDER THIS LIMITED WARRANTY SHALL BE PRODUCT REPAIR OR REPLACEMENT AS PROVIDED HEREIN. CLAIMS BASED ON IMPLIED WARRANTIES, INCLUDING WARRANTIES OF MERCHANTABILITY OR FITNESS FOR A PARTICULAR PURPOSE, ARE LIMITED TO ONE YEAR

OR THE SHORTEST PERIOD ALLOWED BY LAW, BUT NOT LESS THAN ONE YEAR. ELECTROLUX SHALL NOT BE LIABLE FOR CONSEQUENTIAL OR INCIDENTAL DAMAGES SUCH AS PROPERTY DAMAGE AND INCIDENTAL EXPENSES RESULTING FROM ANY BREACH OF THIS WRITTEN LIMITED WARRANTY OR ANY IMPLIED WARRANTY. SOME STATES AND PROVINCES DO NOT ALLOW THE EXCLUSION OR LIMITATION OF INCIDENTAL OR CONSEQUENTIAL DAMAGES, OR LIMITATIONS ON THE DURATION OF IMPLIED WARRANTIES, SO THESE LIMITATIONS OR EXCLUSIONS MAY NOT APPLY TO YOU. THIS WRITTEN WARRANTY GIVES YOU SPECIFIC LEGAL RIGHTS. YOU MAY ALSO HAVE OTHER RIGHTS THAT VARY FROM STATE TO STATE.

If You Need Service

Keep your receipt, delivery slip, or some other appropriate payment record to establish the warranty period should service be required. If service is performed, it is in your best interest to obtain and keep all receipts. Service under this warranty must be obtained by contacting Electrolux at the addresses or phone numbers below.

This warranty only applies in the USA, Puerto Rico and Canada. In the USA and Puerto Rico, your appliance is warranted by Electrolux Consumer Products, Inc. In Canada, your appliance is warranted by Electrolux Canada Corp. Electrolux authorizes no person to change or add to any obligations under this warranty. Obligations for service and parts under this warranty must be performed by Electrolux or an authorized service company. Product features or specifications as described or illustrated are subject to change without notice.

USA

1-800-374-4432

Electrolux Consumer Products, Inc.

10200 David Taylor Drive

Charlotte, NC 28262

Canada

1-800-265-8352

Electrolux Canada Corp.
5855 Terry Fox Way

Mississauga, Ontario, Canada L5V 3E4

