



Freezer

use & care

Introduction.....	2	Storage Features.....	16
Important Safety Information	3	Saving Energy	17
Features	5	Care and Cleaning	18
Installation	7	Troubleshooting	19
Door Removal/Reversal.....	9	Limited Warranty	22
Controls and Settings.....	13		

2

INTRODUCTION

Welcome to our **family**

Thank you for bringing Frigidaire into your home! We see your purchase as the beginning of a long relationship together.

This manual is your resource for the use and care of your product. Please read it before using your appliance. Keep it handy for quick reference. If something doesn't seem right, the troubleshooting section will help you with common issues.

FAQs, helpful tips and videos, cleaning products, and kitchen and home accessories are available at Frigidaire.com.

We are here for you! Visit our website, chat with an agent, or call us if you need help. We may be able to help you avoid a service visit. If you do need service, we can get that started for you.

Let's make it official! Be sure to register your product.

Keep your product info here so it's easy to find.

Model Number _____

Serial Number _____

Purchase Date _____



WARNING

Please read all instructions before using this appliance.

Safety Definitions

! This is the safety alert symbol. It is used to alert of potential personal injury hazards. Obey all safety messages that follow this symbol to avoid possible injury or death.



DANGER

DANGER indicates an imminently hazardous situation which, if not avoided, will result in death or serious injury.



WARNING

WARNING indicates a potentially hazardous situation which, if not avoided, could result in death or serious injury.



CAUTION

CAUTION indicates a potentially hazardous situation which, if not avoided, may result in minor or moderate injury.



IMPORTANT

IMPORTANT indicates installation, operation or maintenance information which is important but not hazard-related.



DANGER



DANGER Risk of fire or explosion. Flammable refrigerant used. Do not use mechanical devices to defrost refrigerator. Do not puncture refrigerant tubing.

DANGER Risk of fire or explosion. Flammable refrigerant used. To be repaired only by trained service personnel. Use only manufacturer-authorized service parts. Any repair equipment used must be designed for flammable refrigerants. Follow all manufacturer repair instructions. Do not puncture refrigerant tubing.



WARNING

CALIFORNIA RESIDENTS ONLY
Cancer and Reproductive Harm
www.P65Warnings.ca.gov



CAUTION



CAUTION Risk of fire or explosion. Dispose of refrigerator properly in accordance with the applicable federal or local regulations. Flammable refrigerant used.

CAUTION Risk of fire or explosion due to puncture of refrigerant tubing. Follow handling instructions carefully. Flammable refrigerant used.

Safety Instructions

- DO NOT store or use gasoline, or other flammable liquids, or aerosols within or in the vicinity of this or any other appliance. Read product labels for warnings regarding flammability and other hazards.
- DO NOT store explosive substances such as aerosol cans with a flammable propellant in this appliance.
- DO NOT operate the refrigerator in the presence of explosive fumes.
- Avoid contact with any moving parts of automatic ice maker.
- Remove all staples from the carton. Staples can cause severe cuts, and also destroy finishes if they come in contact with other appliances or furniture.



WARNING

Do not use electrical appliances inside the food storage compartments of the appliance unless they are of the type recommended by the manufacturer.

Child Safety

This appliance is not intended for use by persons (including children) with reduced physical, sensory or mental capabilities, or lack of experience and knowledge, unless they have been given supervision or instruction concerning use of the appliance by a person responsible for their safety.

Destroy or recycle the carton, plastic bags, and any exterior wrapping material immediately after the refrigerator is unpacked. Children should **NEVER** use these items to play. Cartons covered with rugs, bedspreads, plastic sheets or stretch wrap may become airtight chambers, and can quickly cause suffocation.

4

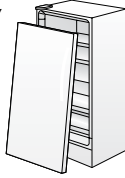
IMPORTANT SAFETY INFORMATION

Proper Disposal of your Appliance

Risk of child entrapment

Child entrapment and suffocation are not problems of the past. Junked or abandoned appliances are still dangerous – even if they will sit for “just a few days”. If you are getting rid of your old appliance, please follow the instructions below to help prevent accidents.

We strongly encourage responsible appliance recycling/disposal methods. Check with your utility company or visit energystar.gov/products/recycle for more information on recycling your old appliance.



Before you throw away your old appliance:

- Remove door.
- Leave shelves in place so children may not easily climb inside.
- Have refrigerant removed by a qualified service technician.



WARNING

Do not locate multiple portable socket-outlets or portable power supplies at the rear of the appliance



WARNING

When positioning the appliance, ensure the supply cord is not trapped or damaged.



WARNING

These guidelines must be followed to ensure that safety mechanisms in this appliance will operate properly.

Electrical information

- Refer to the serial plate for correct electrical rating. The power cord of the appliance is equipped with a three-prong grounding plug for your protection against electrical shock hazards. It must be plugged directly into a properly grounded three-prong receptacle, protected with a 15-amp time delay fuse or circuit breaker. The

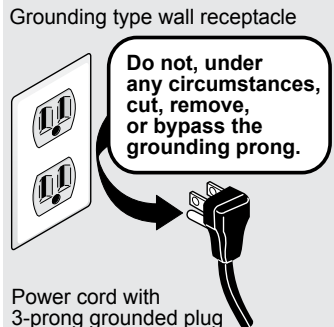
receptacle must be installed in accordance with the local codes and ordinances. Consult a qualified electrician. Do NOT use an extension cord or adapter plug.

- If the power cord is damaged, it should be replaced by an authorized service technician to prevent any risk.
- Never unplug the appliance by pulling on the power cord. Always grip the plug firmly, and pull straight out from the receptacle to prevent damaging the power cord.
- Unplug the appliance before cleaning and before replacing a light bulb to avoid electrical shock.
- If voltage varies by 10% or more, appliance performance may be affected. Operating the unit with insufficient power can damage the motor. Such damage is not covered under the warranty. If you suspect your household voltage is high or low, consult your power company for testing.
- To prevent the appliance from being turned off accidentally, do not plug unit into an outlet controlled by a wall switch or pull cord.
- Do not pinch, knot, or bend power cord in any manner.



IMPORTANT

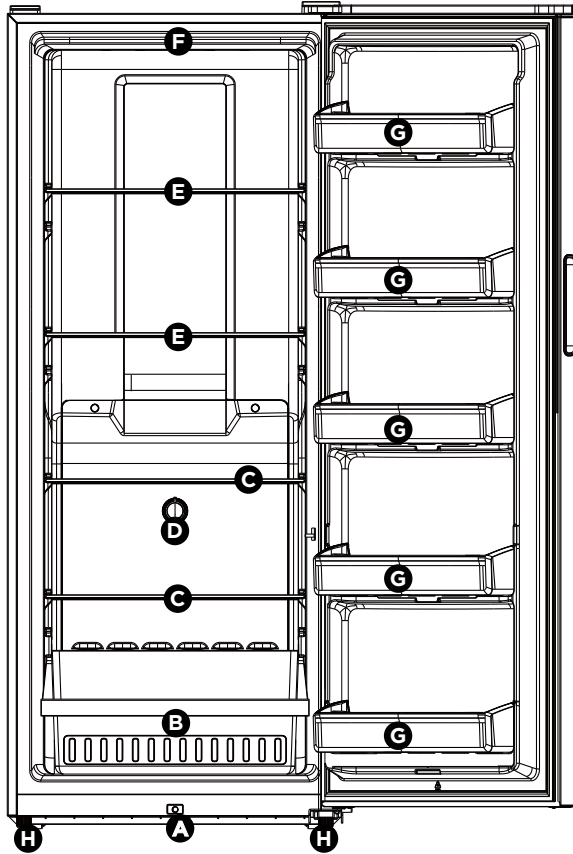
To turn off power to your appliance you must unplug the power cord from the electrical outlet.



WARNING

Turning the control to OFF turns off the compressor, but does not disconnect power to other electrical components.

Features may vary according to model



A	Power On LED
B	Plastic Drawer
C	Short-Depth Shelves
D	Temperature Control Knob

E	Full-Depth Shelves
F	Interior LED
G	Fixed Door Bins
H	Front Leveling Feet

6

FEATURES



IMPORTANT

Cleaning your Appliance

Remove tape and glue residue from surfaces before turning on the appliance. Rub a small amount of liquid dish soap over the adhesive with your fingers. Rinse with warm water and dry with a soft cloth.

Do not use sharp instruments, rubbing alcohol, flammable fluids, or abrasive cleaners to remove tape or glue. These products can damage the surface of your appliance.

After you remove all of the package materials, clean the inside of your appliance before using it. See the **CARE & CLEANING** section in this manual.

See important information about cleaning glass shelves and covers in the **STORAGE FEATURES** section of this manual.



IMPORTANT

Moving your Appliance

Your appliance is heavy. When moving the appliance for cleaning or service, be sure to cover the floor with cardboard or hardboard to avoid floor damage. Always pull the appliance straight out when moving it. Do not wiggle or “walk” the appliance when trying to move it as floor damage could occur.

This Use & Care Manual provides general operating instructions for your model. Use the appliance only as instructed in this Use & Care Manual. Before starting the appliance, follow these important first steps.

Location

- Choose a place that is near a grounded electrical outlet. Do Not use an extension cord or an adapter plug.
- If possible, place the appliance out of direct sunlight and away from the range, dishwasher or other heat sources.
- Allow space around the unit for good air circulation. Leave a 4 inch (101 mm) space on all sides of the unit for adequate circulation.



WARNING

This appliance is intended for use in residential household and similar interior applications such as:

- a kitchen/kitchenette
- a pantry room
- a basement
- an enclosed garage
- other interior residential-type environments



CAUTION

For the most efficient operation, the appliance should be located where surrounding temperatures will not exceed 110°F (43°C). Temperatures of 45°F (7°C) and below will affect operation. Additional compressor heaters are not recommended.

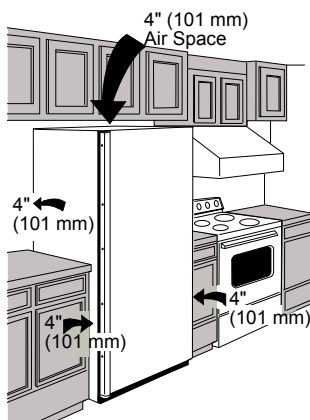


WARNING

Installation clearances

Allow the following clearances for ease of installation, proper air circulations, and plumbing and electrical connections:

Sides, Top & Back 4" (101 mm)



NOTE

The exterior walls of the unit may become quite warm as the compressor works to transfer heat from the inside. Temperatures as much as 30° F / 17°C warmer than room temperature can be expected. For this reason it is particularly important in hotter climates to allow enough space for air circulation around your appliance.

8

INSTALLATION

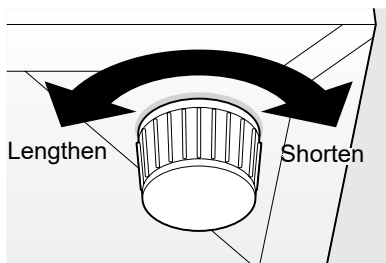
Leveling

Rest all bottom corners firmly on a solid floor. The floor must be strong enough to support a fully loaded appliance.

NOTE

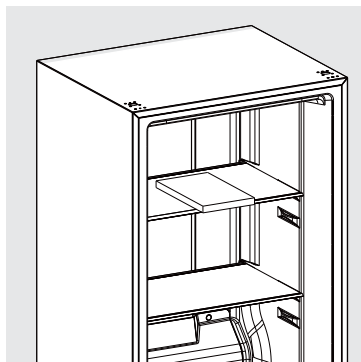
It is **VERY IMPORTANT** for you to level your unit for it to function properly. If the appliance is not leveled during installation, the door may be misaligned and not close or seal properly, causing cooling, frost or moisture problems.

To Level the Appliance: Adjust the bottom feet by turning counterclockwise to lengthen and clockwise to shorten. Use a carpenter's level to level the appliance from front to back. Adjust the leveling feet in front 1/2 bubble higher, so the door closes easily.



CAUTION

To allow the door to close and seal properly, **DO NOT** let food packages extend past the front of shelves.



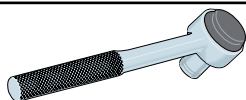
Necessary Tools (not included):



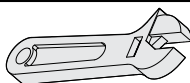
Phillips Screwdriver



Flathead Screwdriver



8 mm Socket with Ratchet



Adjustable Wrench



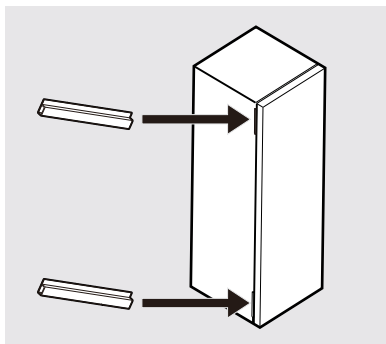
Pliers



IMPORTANT

Before you begin, turn the appliance temperature control to **OFF** and remove the electrical power cord from the wall outlet. Remove any food from the door shelves.

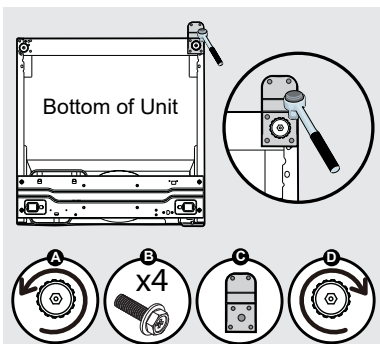
1. Keep the 2 plastic door spacers between the door and the cabinet as shown below. The spacers are used to make sure the distance between the door and cabinet is $\frac{1}{2}$ inch.



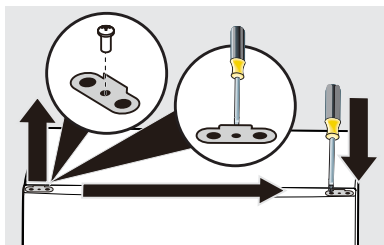
CAUTION

This procedure will require 2 people to safely perform.

2. Lay the freezer on its back on a padded surface.
3. Unscrew the right adjustable leveling foot (A). Remove the 4 screws (B) holding the bottom hinge (C) to the cabinet with an 8 mm socket with ratchet. Screw the adjustable leveling foot back into the cabinet hole (D).

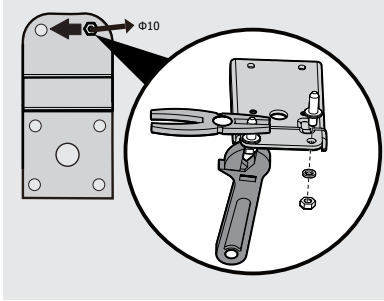


4. Unscrew the door stopper on the right side with a Phillips screwdriver and pry off the stopper with a flat-head screwdriver. Then screw it on the left side.

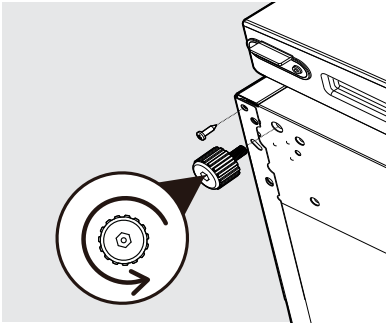


10 DOOR REMOVAL/REVERSAL

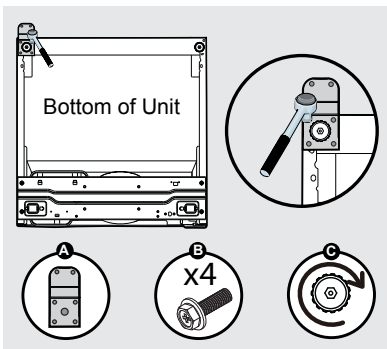
5. Unscrew and insert the hinge pin on the opposite side of the bottom hinge using an adjustable wrench and pliers.



6. Unscrew the left adjustable leveling foot and loosen the screw.



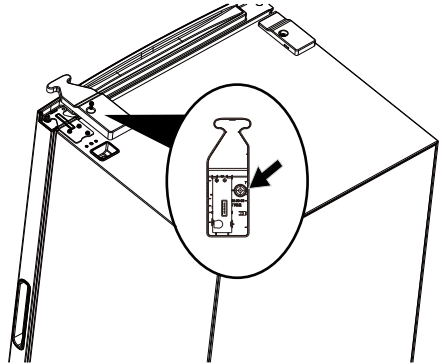
7. Attach the bottom hinge (A) with 4 screws (B) and the adjustable leveling foot (C) on the left side of the cabinet.



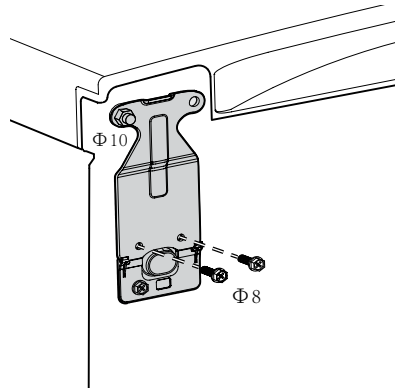
➔ IMPORTANT

When you screw on the bottom hinge:

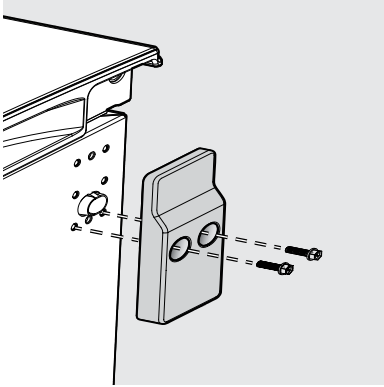
- Move the door slightly to the left or right to make sure the hinge hole is aligned with the cabinet hole.
 - Insert the 4 screws by half depth, and then align the hinge and fully tighten.
8. Using an 8 mm socket with a ratchet:
- a. Remove the right top hinge cover and unsnap the PCB; leave the PCB and wiring attached to the unit.



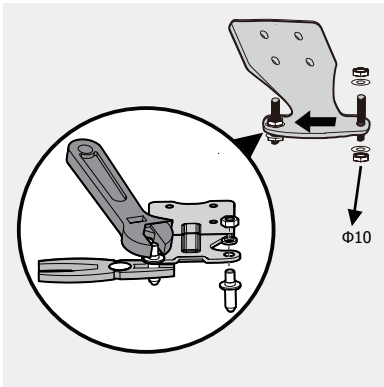
- b. Remove the top hinge from the right side.



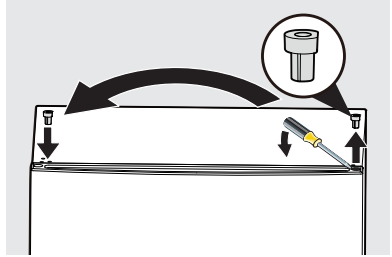
- c. Remove left top decorative cover.



9. Using an adjustable wrench and pliers, move the hinge pin from the right side to the left side.

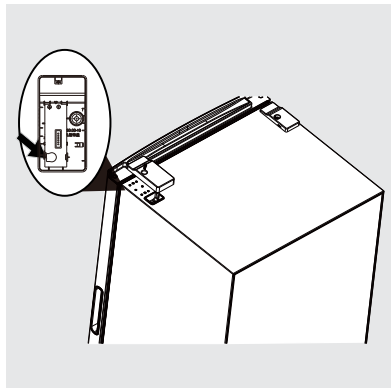


10. With a flat head screwdriver, gently pry upward on hinge pin bearing to remove from door. Reinstall on the opposite side of the door.



11. Attach the hinge and covers.

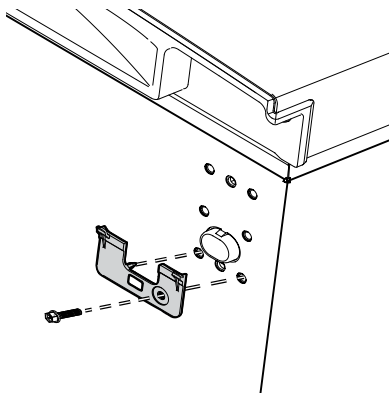
- a. Take out the decorative cover in the accessory bag and insert the PCB into it, then attach the cover to the cabinet.



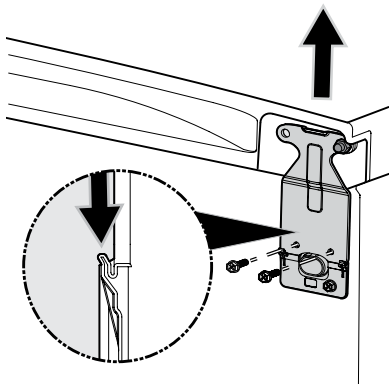
12

DOOR REMOVAL/REVERSAL

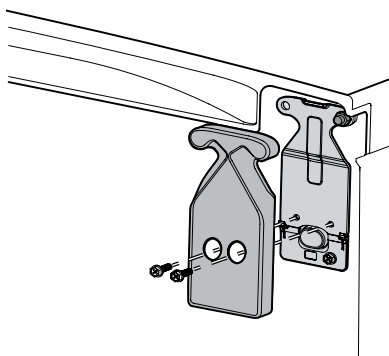
- b. Remove the positioning guide from the accessory bag and attach it to the top left of cabinet.



- c. Insert the hinge into the positioning guide. Move the door up and insert the hinge pin. Attach the hinge onto the cabinet with screws



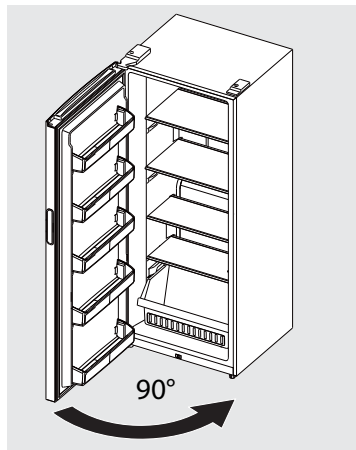
- d. Attach the hinge cover.



CAUTION

This procedure will require 2 people to safely perform.

12. Raise the appliance to the upright position. Open and close the door to check if door moves smoothly.



13. Allow 1 hour before plugging the unit back into electrical outlet.

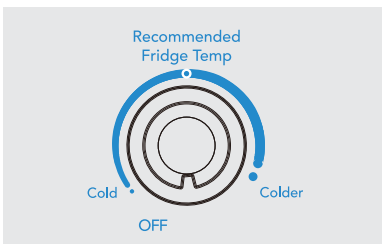
Cool Down Period

- For safe food storage, allow 4 hours for the appliance to cool down completely. The unit will run continuously for the first several hours. You may place already frozen food in the unit after the first few hours of operation. Do **NOT** load unfrozen food into the freezer until freezer has operated for 4 hours.
- When loading the freezer, freeze only 3 lbs of fresh food per cubic foot of freezer space at one time. Distribute packages to be frozen evenly throughout the freezer. It is not necessary to turn control knob to a colder setting while freezing food.

Temperature Control

The temperature control is located inside the freezer on the back wall. The temperature is factory preset to **Recommended Fridge Temp** to provide satisfactory food storage temperatures. However, the temperature control is adjustable to provide a range of temperatures for your personal satisfaction. If a colder temperature is desired, turn the temperature control knob toward **Colder** and allow several hours for temperatures to stabilize between adjustments. Approximate temperature ranges are listed below.

Mode	Cold	Recommended	Colder
Fridge	7°C 46°F	5°C 40°F	3°C 36°F



Temperature Control

Door Ajar Alert

If your door has been left open for 5 minutes or more the audible alert will sound and the light will flash until the door is closed.

Power On Light

The Power On Light indicates the appliance is properly connected to electrical power. The light turns off when the temperature control is turned to OFF. If the light goes out, refer to **Appliance does not run** in the **TROUBLESHOOTING** section. A flashing light with an audible alert indicates a high temp condition (see **Temperature Too warm** in the **TROUBLESHOOTING** section).

High Temp Alert

If the temperature inside the cabinet exceeds 53.6°F (12°C), the LED light at the bottom of the cabinet will flash and the alarm will sound. The alarm can be reset by opening and then closing the door. The LED will continue to flash until the cabinet temperature is below 50°F (10°C).

14 CONTROLS AND SETTINGS

Sabbath Mode

The Sabbath Mode is a feature that disables portions of the appliance and its controls in accordance with observance of the weekly Sabbath and religious holidays within the Orthodox Jewish community.

The Sabbath Mode disables the temperature control knob and mutes all sounds (except the **High Temp** alert and to exit Sabbath Mode). The LED light at the bottom of the cabinet will flash and the **High Temp** alert will sound until you deactivate the Sabbath Mode. Sabbath mode will exit automatically after 80 to 84 hours from the time the unit entered Sabbath Mode, or you can manually exit Sabbath Mode.

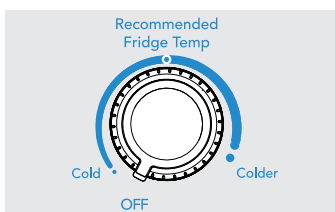
NOTE

The temperature setting is not affected by the Sabbath Mode. For food safety, the **High Temp** alert will sound for 10 minutes if the internal temperature increases.

After 10 minutes, the alarm will stop, but the LED light at the bottom of the cabinet will continue to flash until you deactivate the Sabbath Mode.

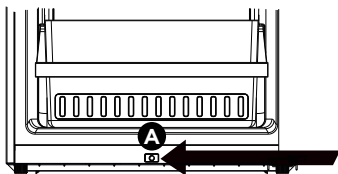
To enter Sabbath Mode:

1. Turn the temperature control to **OFF**.

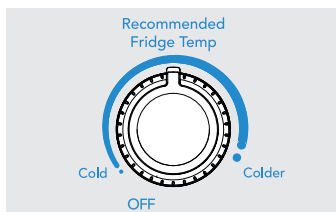


OFF

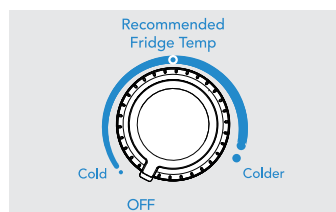
2. Wait for the green LED (A) to turn off.



3. Turn the temperature control slowly to **Recommended Fridge Temp** and then back to **OFF**.

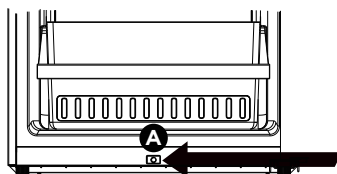


Recommended Fridge Temp



OFF

4. Wait for the green LED (A) to turn off.



5. Repeat previous steps 3 times within 20 seconds until you hear a beep after the green LED turns off, which indicates the unit is in Sabbath Mode.

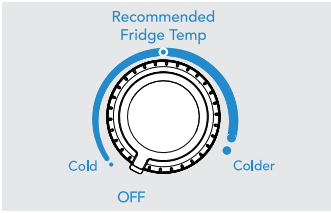
NOTE

While in the Sabbath Mode, the lights will not work until you deactivate Sabbath .

The appliance stays in Sabbath Mode after power failure recovery. You must deactivate it with the temperature control knob.

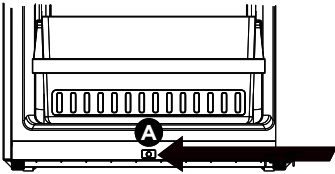
To manually exit Sabbath Mode:

1. Turn the temperature control to **OFF**.

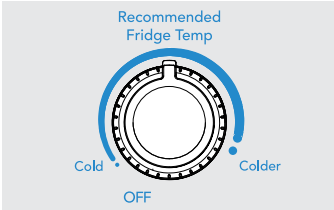


OFF

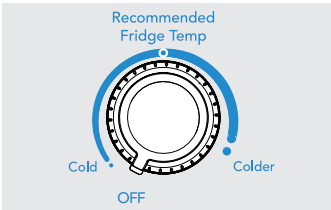
2. Wait for the green LED (A) to turn off.



3. Turn the temperature control slowly to **Recommended Fridge Temp** and then back to **OFF**.

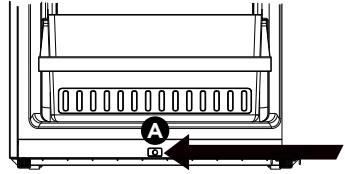


Recommended Fridge Temp



OFF

4. Wait for the green LED (A) to turn off.



5. Repeat previous steps 3 times within 20 seconds until you hear a beep after the green LED turns off, which indicates the unit is no longer in Sabbath Mode.



For further assistance, guidelines for proper use and complete list of models with the Sabbath feature, please visit star-k.org.

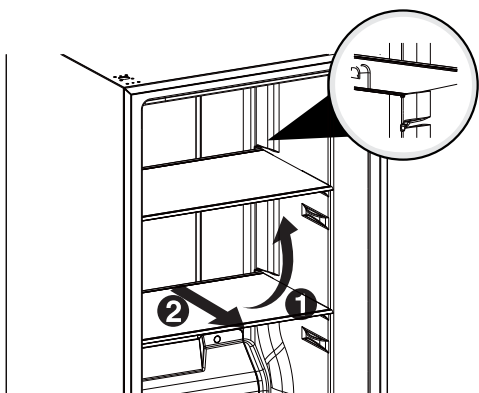
16 STORAGE FEATURES

Shelf Adjustment

You can easily adjust the appliance shelves to suit individual needs. Before adjusting the shelves, remove all food.

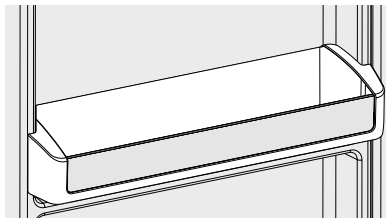
To adjust the sliding shelves, remove the shelves by pulling them forward.

To replace a shelf, rest the side edges on any pair of shelf rails and carefully push the shelf back into position. Make sure the back trim of the shelf securely fit into the notches at rear of the liner.



Fixed Door Bin

The fixed door bin is especially designed to hold large containers or freezer bags.





- Do not line shelves and baskets with aluminum foil, wax paper, or paper toweling. Liners interfere with cold air circulation, making the freezer less efficient.
 - Organize and label food to reduce door openings and extended searches. Remove as many items as needed at one time, and close door as soon as possible.
 - Locate the appliance in the coolest area of the room, away from heat-producing appliances or heating ducts, and out of direct sunlight.
 - Let hot foods cool to room temperature before placing them in the unit. Overloading the appliance forces the compressor to run longer. Foods that freeze too slowly may lose quality or spoil.
 - Be sure to wrap foods properly and wipe containers dry before placing them in the unit. This cuts down on frost build-up inside the unit.
-

18 CARE AND CLEANING



CAUTION

Damp objects stick to cold metal surfaces. Do not touch interior metal surfaces with wet or damp hands.

Some upright freezers are frost-free and defrost automatically but should be cleaned occasionally.

Cleaning the Inside

Wash inside surfaces of the unit with a solution of 2 tbsp. (25 g) of baking soda in 1 qt. (1 l) warm water. Rinse and dry. Wring excess water out of the sponge or cloth when cleaning in the area of the controls, or any electrical parts.

Wash the removable parts with the baking soda solution mentioned above, or mild detergent and warm water. Rinse and dry. **Never** use metallic scouring pads, brushes, abrasive cleaners, or alkaline solutions on any surface. Do not wash removable parts in a dishwasher.

Cleaning the Outside

Wash the cabinet with warm water and mild liquid detergent. Rinse well and wipe dry with a clean soft cloth. Replace parts and food.

Do not use razor blades or other sharp instruments, which can scratch the appliance surface when removing adhesive labels. You can remove any glue left from the tape with a mixture of warm water and mild detergent, or touch the residue with the sticky side of the tape already removed. **DO NOT REMOVE THE SERIAL PLATE.**

Vacation and Moving Tips

Short Vacations: Leave the unit operating during vacations of less than 3 weeks.

Long Vacations: If the appliance will not be used for several months, remove all food and unplug the power cord. Clean and dry the interior thoroughly. Leave the door open slightly, blocking it open if necessary, to prevent odor and mold growth.

Moving: Disconnect the power cord plug from the wall outlet. Remove foods, defrost, and clean the appliance. Secure all loose items such as the base panel, baskets, and shelves by taping them securely in place to prevent damage. In the moving vehicle, secure the unit in an upright position to prevent movement. Also protect the outside of the appliance with a blanket, or a similar item.



WARNING

If you leave the door open while on vacation, make certain children cannot get into the appliance and become entrapped.



WARNING

Do not open the door unnecessarily if the unit is off for several hours.

Let us help you troubleshoot your concern! This section will help you with common issues. If you need us, visit our website, chat with an agent, or call us. We may be able to help you avoid a service visit. If you do need service, we can get that started for you!

1-800-374-4432 (United States)
Frigidaire.com

1-800-265-8352 (Canada)
Frigidaire.ca

CONCERN	CAUSE	SOLUTION
APPLIANCE OPERATION		
Appliance does not run.	<ul style="list-style-type: none"> • Temperature Control is in the OFF position or POWER OFF position. • Appliance may not be plugged in or plug is loose. • Hose fuse blown or tripped circuit breaker. • Power outage 	<ul style="list-style-type: none"> • See the CONTROLS AND SETTINGS section. • Ensure plug is tightly pushed into outlet. • Check/replace fuse with a 15-amp timedelay fuse. Reset circuit breaker. • Check house lights. Call local electric company.
Appliance runs too much or too long.	<ul style="list-style-type: none"> • Room or outside weather is hot. • Appliance has recently been disconnected for a period of time. • Large amounts of warm or hot food have been stored recently. • Door is opened too frequently or too long. • Door may be slightly open. • Temperature control is set too low. • Gaskets are dirty, worn, cracked, or poorly fitted. 	<ul style="list-style-type: none"> • It's normal for the appliance to work longer under these conditions. • It may take 4 hours for the appliance to cool down completely. • Warm food will cause appliance to run more until the desired temperature is reached. • Warm air entering the appliance causes it to run more. Open door less often. • Ensure door is tightly closed. • Turn control knob to a warmer setting. Allow several hours for the temperature to stabilize. • Clean or change gasket. Leaks in door seal will cause appliance to run longer in order to maintain desired temperatures.
APPLIANCE TEMPERATURES		
Interior appliance temperature is too cold.	<ul style="list-style-type: none"> • Control is set too low. 	<ul style="list-style-type: none"> • Set control to a warmer setting. Allow several hours for temperature to stabilize.

CONCERN	CAUSE	SOLUTION
Temperature inside appliance is too warm.	<ul style="list-style-type: none"> Control is set too warm. Door is opened too frequently or too long. Door may not be seating properly. Large amounts of warm or hot food has been stored recently. Unit has recently been disconnected for a period of time. 	<ul style="list-style-type: none"> Turn control to a colder setting. Allow several hours for temperature to stabilize. Warm air enters the appliance every time the door is opened. Open door less often. See DOOR PROBLEMS in the TROUBLESHOOTING section. Warm food will cause appliance to run more until the desired temperature is reached. Appliance may take up to 4 hours to cool down completely.
External temperature is too warm.	<ul style="list-style-type: none"> The external walls can be as much as 30°F warmer than room temperature. 	<ul style="list-style-type: none"> This is normal while the compressor works to transfer heat from inside the cabinet.
SOUND AND NOISE		
Louder sound levels whenever appliance is on.	<ul style="list-style-type: none"> Modern appliances have increased storage capacity and more stable temperatures. They require heavy-duty compressors. 	<ul style="list-style-type: none"> This is normal. When the surrounding noise level is low, you might hear the compressor running while it cools the interior.
Longer sound levels when compressor comes on.	<ul style="list-style-type: none"> Appliance operates at higher pressures during the start of the ON cycle. 	<ul style="list-style-type: none"> This is normal. Sound will level off or disappear as appliance continues to run.
Popping or cracking sound when compressor comes on. Bubbling or gurgling sound.	<ul style="list-style-type: none"> Metal parts undergo expansion and contraction, as in hot water pipes. Refrigerant (used to cool the appliance) is circulating throughout the system. 	<ul style="list-style-type: none"> This is normal. Sound will level off or disappear as appliance continues to run. This is normal.
Vibrating or rattling noise.	<ul style="list-style-type: none"> Appliance is not level. It rocks on the floor when it is moved slightly. Floor is uneven or weak. Appliance is touching the wall. 	<ul style="list-style-type: none"> Level the appliance. Refer to Leveling in the INSTALLATION section. Ensure floor can adequately support the appliance. Level the appliance by putting wood or metal shims under part of the appliance. Re-level appliance or move appliance slightly. Refer to Leveling in the INSTALLATION section.
WATER / MOISTURE / FROST INSIDE APPLIANCE		
Moisture forms on inside walls.	<ul style="list-style-type: none"> Weather is hot and humid. Door may not be seating properly. Door is opened too often or too long. 	<ul style="list-style-type: none"> The rate of frost buildup and internal sweating increases. This is normal. See DOOR PROBLEMS in the TROUBLESHOOTING section. Open door less often.

CONCERN	CAUSE	SOLUTION
WATER / MOISTURE / FROST OUTSIDE APPLIANCE		
Moisture forms on outside.	<ul style="list-style-type: none"> • Door may not be seating properly, causing cold air from inside to meet warm air from outside. 	<ul style="list-style-type: none"> • See DOOR PROBLEMS in the TROUBLESHOOTING section.
ODOR IN APPLIANCE		
Odors in appliance.	<ul style="list-style-type: none"> • Interior needs to be cleaned. • Foods with strong odors are in the appliance. 	<ul style="list-style-type: none"> • Clean interior with sponge, warm water, and baking soda. • Cover the food tightly.
DOOR PROBLEMS		
Door will not close.	<ul style="list-style-type: none"> • Appliance is not level. It rocks on the floor when it is moved slightly. • Floor is uneven or weak. 	<ul style="list-style-type: none"> • This condition can force the cabinet out of square and misalign the door. Refer to Leveling in the INSTALLATION section. • Level the floor by using wood or metal shims under the appliance or brace floor supporting the appliance.
LIGHTING PROBLEMS		
Power Available Light is not on	<ul style="list-style-type: none"> • LED may be burned out. • No electric current is reaching the appliance. • The door has been left open for more than 5 minutes. 	<ul style="list-style-type: none"> • Contact a qualified service dealer. • See Appliance does not run in the TROUBLESHOOTING section. • Close the door.

22

LIMITED WARRANTY

Your appliance is covered by a one year limited warranty. For one year from your original date of delivery, Electrolux will pay all costs for repairing or replacing any parts of this appliance that prove to be defective in materials or workmanship when such appliance is installed, used and maintained in accordance with the provided instructions.

Exclusions

This warranty does not cover the following:

1. Products with original serial numbers that have been removed, altered or cannot be readily determined.
2. Product that has been transferred from its original owner to another party or removed outside the USA or Canada.
3. Rust on the interior or exterior of the unit.
4. Products purchased "as-is" are not covered by this warranty.
5. Food loss due to any Appliance or freezer failures.
6. Products used in a commercial setting.
7. Service calls which do not involve malfunction or defects in materials or workmanship, or for appliances not in ordinary household use or used other than in accordance with the provided instructions.
8. Service calls to correct the installation of your appliance or to instruct you how to use your appliance.
9. Expenses for making the appliance accessible for servicing, such as removal of trim, cupboards, shelves, etc., which are not a part of the appliance when it is shipped from the factory.
10. Service calls to repair or replace appliance light bulbs, air filters, water filters, other consumables, or knobs, handles, or other cosmetic parts.
11. Surcharges including, but not limited to, any after hour, weekend, or holiday service calls, tolls, ferry trip charges, or mileage expense for service calls to remote areas, including the state of Alaska.
12. Damages to the finish of appliance or home incurred during installation, including but not limited to floors, cabinets, walls, etc.
13. Damages caused by: services performed by unauthorized service companies; use of parts other than genuine Electrolux parts or parts obtained from persons other than authorized service companies; or external causes such as abuse, misuse, inadequate power supply, accidents, fires, or acts of God.

DISCLAIMER OF IMPLIED WARRANTIES; LIMITATION OF REMEDIES

CUSTOMER'S SOLE AND EXCLUSIVE REMEDY UNDER THIS LIMITED WARRANTY SHALL BE PRODUCT REPAIR OR REPLACEMENT AS PROVIDED HEREIN. CLAIMS BASED ON IMPLIED WARRANTIES, INCLUDING WARRANTIES OF MERCHANTABILITY OR FITNESS FOR A PARTICULAR PURPOSE, ARE LIMITED TO ONE YEAR OR THE SHORTEST PERIOD ALLOWED BY LAW, BUT NOT LESS THAN ONE YEAR. ELECTROLUX SHALL NOT BE LIABLE FOR CONSEQUENTIAL OR INCIDENTAL DAMAGES SUCH AS PROPERTY DAMAGE AND INCIDENTAL EXPENSES RESULTING FROM ANY BREACH OF THIS WRITTEN LIMITED WARRANTY OR ANY IMPLIED WARRANTY. SOME STATES AND PROVINCES DO NOT ALLOW THE EXCLUSION OR LIMITATION OF INCIDENTAL OR CONSEQUENTIAL DAMAGES, OR LIMITATIONS ON THE DURATION OF IMPLIED WARRANTIES, SO THESE LIMITATIONS OR EXCLUSIONS MAY NOT APPLY TO YOU. THIS WRITTEN WARRANTY GIVES YOU SPECIFIC LEGAL RIGHTS. YOU MAY ALSO HAVE OTHER RIGHTS THAT VARY FROM STATE TO STATE.

If You Need Service

Keep your receipt, delivery slip, or some other appropriate payment record to establish the warranty period should service be required. If service is performed, it is in your best interest to obtain and keep all receipts. Service under this warranty must be obtained by contacting Electrolux at the addresses or phone numbers below.

This warranty only applies in the USA and Canada. In the USA, your appliance is warranted by Electrolux Major Appliances North America, a division of Electrolux Home Products, Inc. In Canada, your appliance is warranted by Electrolux Canada Corp. Electrolux authorizes no person to change or add to any obligations under this warranty. Obligations for service and parts under this warranty must be performed by Electrolux or an authorized service company. Product features or specifications as described or illustrated are subject to change without notice.

USA
1-800-374-4432
Frigidaire
10200 David Taylor Drive
Charlotte, NC 28262



Electrolux

Canada
1.800.265.8352
Electrolux Canada Corp.
5855 Terry Fox Way
Mississauga, Ontario, Canada
L5V 3E4

FRIGIDAIRE®

welcome **home**

Our home is your home. Visit us if you need help with any of these things:



owner support



accessories



service



registration

(See your registration card for more information.)

Frigidaire.com
1-800-374-4432

Frigidaire.ca
1-800-265-8352



Congélateur

utilisation et entretien

Introduction.....	2	Commandes et réglages	13
Renseignements importants concernant la sécurité.....	3	Caractéristiques de rangement.....	14
Caractéristiques.....	5	Économie d'énergie.....	15
Installation	7	Dépannage	17
Retrait/inversion de la porte.....	9	Garantie	20

2

INTRODUCTION

Bienvenue dans notre **famille**

Merci d'accueillir Frigidaire chez vous! Nous voyons votre achat comme le début d'une longue relation entre nous.

Le présent guide est votre ressource pour l'utilisation et l'entretien de votre produit. Veuillez le lire avant d'utiliser votre appareil. Gardez-le à la portée de la main pour vous y référer rapidement. Si quelque chose ne semble pas bien fonctionner, la section dépannage vous aidera à régler des problèmes courants.

Vous trouverez à l'adresse Frigidaire.com la FAQ, des conseils utiles, des vidéos, des produits de nettoyage et des accessoires pour la cuisine et la maison.

Nous sommes là pour vous! Visitez notre site Web, clavardez avec un agent ou appelez-nous si vous avez besoin d'aide. Cela pourrait vous éviter une visite à domicile. Mais si une visite est nécessaire pour une réparation ou l'entretien, nous pouvons démarrer le processus pour vous.

Officialisons le tout! N'oubliez pas d'enregistrer votre produit.

Conservez ici l'information sur votre produit pour la retrouver facilement.

Numéro de modèle _____

Numéro de série _____

Date d'achat _____

RENSEIGNEMENTS IMPORTANTS CONCERNANT LA SÉCURITÉ

3



AVERTISSEMENT

Veillez lire ces instructions au complet avant d'utiliser l'appareil.

Définitions relatives à la sécurité

! Voici le symbole d'alerte de sécurité. Il sert à avertir des risques potentiels de blessures. Respectez toutes les consignes de sécurité qui suivent ce symbole afin d'éviter les blessures ou la mort.



DANGER

La mention DANGER indique un danger imminent qui causera la mort ou des blessures graves s'il n'est pas évité.



AVERTISSEMENT

La mention AVERTISSEMENT indique une situation potentiellement dangereuse qui, si elle n'est pas évitée, peut entraîner des blessures graves ou la mort.



PRUDENCE

La mention MISE EN GARDE indique une situation potentiellement dangereuse qui, si elle n'est pas évitée, risque de causer des blessures mineures ou moyennement graves.



IMPORTANT

La mention IMPORTANT indique des renseignements (sur l'installation, le fonctionnement ou l'entretien) qui sont importants mais qui ne sont pas associés à des dangers.



DANGER



DANGER Risque d'incendie ou d'explosion. Utilisez un frigorigène inflammable. N'utilisez pas de dispositifs mécaniques pour dégivrer le réfrigérateur. Ne percez pas les conduites de frigorigène.

DANGER Risque d'incendie ou d'explosion. Utilisez un frigorigène inflammable. Doit être réparé uniquement par du personnel d'entretien formé. Utilisez uniquement des pièces de rechange autorisées par le fabricant. Tout équipement de réparation utilisé doit être conçu pour les frigorigènes inflammables. Suivez toutes les directives du fabricant pour les réparations. Ne percez pas les conduites de frigorigène.



PRUDENCE



PRUDENCE Risque d'incendie ou d'explosion. Mettez le réfrigérateur au rebut en respectant toutes les réglementations en vigueur. Utilisez un frigorigène inflammable.

PRUDENCE Risque d'incendie ou d'explosion en cas de perforation de conduite de frigorigène. Suivez attentivement les directives de manutention. Utilisez un frigorigène inflammable.



AVERTISSEMENT

UNIQUEMENT AUX RÉSIDENTS DE LA CALIFORNIE
Cancer et dommages à l'appareil reproducteur
www.P65Warnings.ca.gov

Sécurité des enfants

Cet appareil n'est pas conçu pour être utilisé par des personnes inexpérimentées (notamment les enfants) ou dont les capacités physiques, sensorielles ou mentales sont réduites, sauf si celles-ci sont sous la surveillance de la personne responsable de leur sécurité ou ont reçu des instructions d'utilisation appropriées.

Détruisez ou recyclez le carton, les sacs en plastique et tout autre matériau d'emballage externe immédiatement après avoir déballé le réfrigérateur. Les enfants ne doivent **JAMAIS** jouer avec ces articles. Les boîtes de carton recouvertes de tapis, de couvre-lits, de feuilles de plastique ou de pellicule étirable peuvent se transformer en chambres hermétiques et causer rapidement la suffocation.

Consignes de sécurité

- NE PAS entreposer ni utiliser de l'essence ou d'autres liquides ou aérosols inflammables à l'intérieur ou à proximité de cet appareil ni de tout autre appareil. Lire les étiquettes du produit pour connaître les avertissements concernant l'inflammabilité et d'autres dangers.
- N'ENTREPOSEZ PAS de substances explosives telles que des aérosols à gaz propulseur inflammable dans cet appareil.
- NE FAITES PAS fonctionner l'appareil en présence d'émanations explosives.
- Évitez tout contact avec les pièces mobiles de la machine à glaçons automatique.
- Enlevez toutes les agrafes de l'emballage en carton. Les agrafes peuvent causer de graves coupures et endommager les finis si elles entrent en contact avec des meubles ou d'autres appareils électroménagers.



PRUDENCE

Ne pas utiliser d'appareils électriques dans les compartiments de rangement des aliments à l'intérieur de l'appareil, à moins qu'ils ne soient du type recommandé par le fabricant.

4

RENSEIGNEMENTS IMPORTANTS CONCERNANT LA SÉCURITÉ

Mise au rebut appropriée de votre appareil

Risque d'enfermement d'enfant

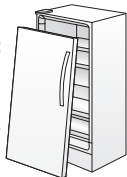
Les risques d'enfermement et de suffocation d'enfant ne sont pas choses du passé.

Les électroménagers jetés ou abandonnés sont toujours dangereux, même s'ils ne sont là « que pour quelques jours ». Si vous vous débarrassez de votre ancien électroménager, veuillez suivre les instructions ci-dessous pour éviter les accidents.

Nous encourageons fortement le recyclage et la mise au rebut responsable des appareils électroménagers. Vérifiez auprès de votre entreprise de services publics ou visitez le site energystar.gov/products/recycle pour de plus amples renseignements sur le recyclage de votre vieil électroménager.

Avant de mettre votre vieil appareil électroménager au rebut :

- Enlevez la porte.
- Laissez les tablettes en place pour que les enfants ne puissent pas grimper facilement à l'intérieur.
- Faites retirer le frigorigène par un technicien qualifié.



AVERTISSEMENT

Vous devez suivre ces directives pour que les mécanismes de sécurité de cet appareil fonctionnent correctement.

Renseignements concernant l'électricité

- Reportez-vous à la plaque signalétique pour connaître les caractéristiques nominales du courant. Le cordon de l'appareil est muni d'une fiche à trois broches avec mise à la terre pour éviter les décharges électriques. Elle doit être branchée directement dans une prise murale mise à la terre, à trois alvéoles, protégée par un coupe-circuit ou un fusible à action re-tardée de 15 A. La prise doit être installée conformément aux codes et règlements locaux. Consultez un électricien qualifié. N'utilisez pas de cordon prolongateur ni de fiche d'adaptation.
- Si le cordon d'alimentation est endommagé, faites-le remplacer par un technicien de service autorisé afin d'éviter tout danger.
- Ne débranchez jamais l'appareil en tirant sur le cordon d'alimentation. Tenez fermement la fiche et tirez-la en ligne droite hors de la prise électrique pour éviter d'endommager le cordon d'alimentation.
- Pour éviter les chocs électriques, débranchez l'appareil avant de le nettoyer.

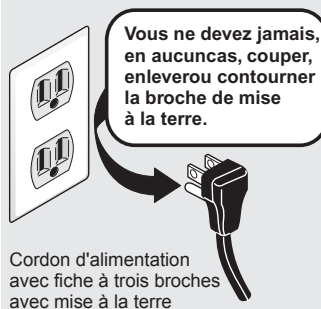
- Une variation de tension de 10 % ou plus risque de nuire au rendement de l'appareil. Le fait de faire fonctionner l'appareil avec une alimentation insuffisante peut endommager le compresseur. De tels dommages ne sont pas couverts par votre garantie.
- Ne branchez pas l'appareil dans une prise commandée par un interrupteur mural ou un cordon de tirage pour éviter que l'appareil ne soit accidentellement mis hors tension.
- Ne pincez pas, ne tordez pas, ne nouez pas le cordon d'alimentation.



IMPORTANT

Pour couper l'alimentation de votre appareil, vous devez débrancher le cordon d'alimentation de la prise de courant.

Prise murale avec mise à la terre



AVERTISSEMENT

Placer la commande sur «OFF» (ARÊT), vous ne coupez pas l'alimentation des composants électriques, mais du compresseur seulement.



AVERTISSEMENT

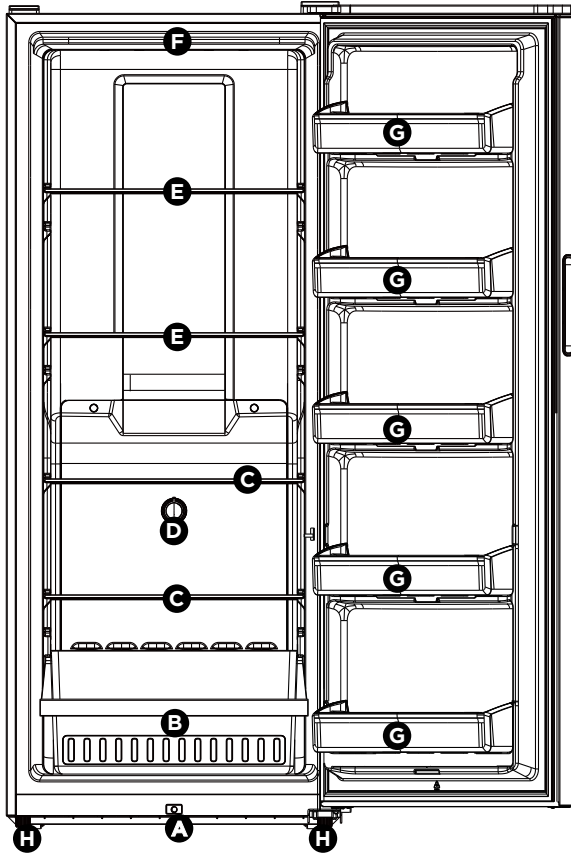
Ne placez pas plusieurs prises de courant portables ou blocs d'alimentation portables à l'arrière de l'appareil.



AVERTISSEMENT

Lors du positionnement de l'appareil, assurez-vous que le cordon d'alimentation n'est pas coincé ou endommagé.

Les caractéristiques peuvent varier selon le modèle



A	Voyant à DEL de mise sous tension
B	Panier en plastique
C	Tablettes peu profondeur
D	Temperature Control Knob

E	Tablettes pleine profondeur
F	Éclairage intérieur à DEL
G	Compartment de porte fixe
H	Pieds de nivellement avant

→ IMPORTANT**Nettoyage de votre appareil**

Retirez les résidus de ruban adhésif et de colle des surfaces avant de mettre le appareil en marche. Frotter une petite quantité de savon à vaisselle liquide sur l'adhésif avec les doigts. Rincer à l'eau tiède et sécher avec un chiffon doux.

Ne pas utiliser d'instruments tranchants, d'alcool à friction, de liquides inflammables, ou de nettoyeurs abrasifs pour enlever la bande adhésive ou la colle. Ces produits peuvent endommager la surface de votre appareil.

Une fois tous les matériaux d'emballage retirés, nettoyer l'intérieur de votre appareil avant de l'utiliser. Voir la section **ENTRETIEN ET NETTOYAGE** du manuel.

Voir les informations importantes concernant le nettoyage des étagères et des couvercles en verre dans la section **CARACTÉRISTIQUES DE RANGEMENT** du manuel.

→ IMPORTANT**Déplacement de votre appareil**

Votre appareil électroménager est lourd. Lorsque vous déplacez l'appareil pour le nettoyage ou l'entretien, prenez soin de recouvrir le plancher de carton ou d'un panneau dur pour éviter de l'endommager. Tirez toujours l'appareil en ligne droite lorsque vous le déplacez. Ne faites pas osciller l'appareil quand vous essayez de le déplacer, car cela peut endommager le plancher.

Ce guide d'utilisation et d'entretien contient des directives générales d'utilisation propres à votre modèle. Utilisez l'appareil uniquement selon les directives de ce Guide d'utilisation et d'entretien. Avant de mettre l'appareil en marche, suivez ces premières étapes importantes.

Emplacement

Choisissez un emplacement près d'une prise de courant avec mise à la terre. N'utilisez pas de rallonge électrique ni d'adaptateur.

Si possible, installez l'appareil à l'abri de la lumière directe du soleil, loin de la cuisinière, du lave-vaisselle et de toute autre source de chaleur.

Allouez suffisamment d'espace autour de l'appareil pour permettre une bonne circulation d'air. Laissez un espace de 101 mm (4 pouces) autour du congélateur afin de permettre à l'air de circuler de façon adéquate.



AVERTISSEMENT

Cet appareil est destiné à un usage domestique et à d'autres applications intérieures similaires, comme :

- Cuisine/cuisinette
- Garde-manger
- Sous-sol
- Garage fermé
- Autres environnements résidentiels intérieurs.



PRUDENCE

Pour un fonctionnement optimal, placer l'appareil dans un endroit où la température ambiante ne dépassera pas 43 °C (110 °F). Les températures en dessous de 7 °C (45 °F) n'auront d'effets sur le fonctionnement. Il n'est pas recommandé d'ajouter des éléments de chauffage pour le compresseur.

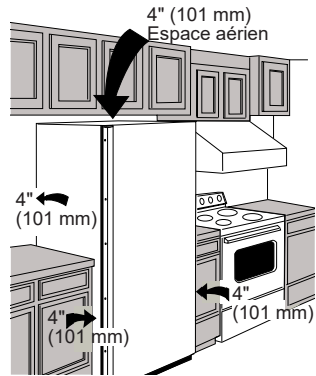


AVERTISSEMENT

Dégagements d'installation

Prévoir les dégagements suivants pour faciliter l'installation, assurer une circulation d'air appropriée et raccorder la plomberie et les branchements électriques :

4 po (101 mm) sur les côtés, le dessus et à l'arrière



REMARQUE

Les parois externes du appareil peuvent devenir chaudes lorsque le compresseur fonctionne pour transférer la chaleur présente à l'intérieur. La température des parois peut atteindre jusqu'à 17 °C (30 °F) de plus que la température ambiante. Pour cette raison, il est particulièrement important dans les climats plus chauds de laisser assez d'espace pour que l'air circule autour de votre appareil.

8

INSTALLATION

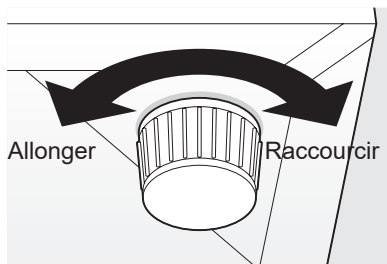
Mise à niveau

Posez tous les coins inférieurs fermement sur un plancher solide. Le plancher doit être assez solide pour supporter le poids d'un appareil rempli à pleine capacité.

REMARQUE

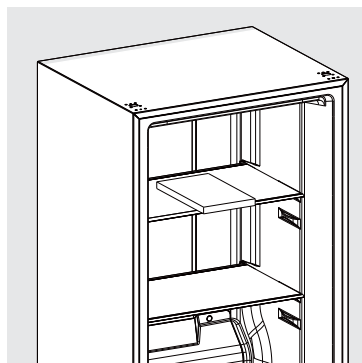
Il est **TRÈS IMPORTANT** que votre appareil soit de niveau pour fonctionner correctement. Si votre appareil n'est pas mis à niveau lors de l'installation, la porte pourrait être désalignée et ne pas fermer correctement et hermétiquement, ce qui pourrait occasionner des problèmes de refroidissement, de givre ou d'humidité.

Pour mettre l'appareil de niveau : Après avoir jeté les vis de mise en caisse, utilisez un niveau de charpentier pour mettre l'appareil à niveau de l'avant vers l'arrière. Réglez d'1/2 bulle plus haut les pieds de mise à niveau en plastique situés à l'avant pour que la porte se referme facilement quand elle est entrouverte.



PRUDENCE

Pour permettre à la porte de fermer correctement et de manière hermétique, **NE LAISSEZ PAS DÉPASSER** les emballages des aliments de l'avant des clayettes.



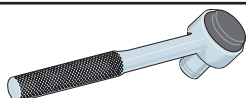
Outils nécessaires (non inclus):



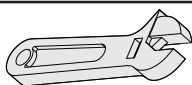
Tournevis Philips



Tournevis à tête plate



Douille 8 mm avec cliquet



Clé à molette

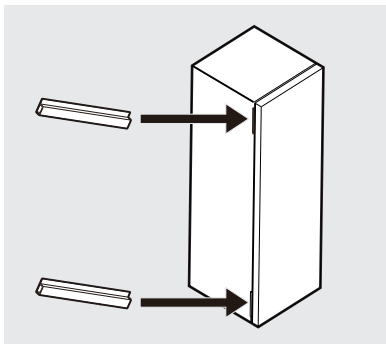


Pinces

▶ IMPORTANT

Avant de commencer, tournez la commande de température de l'appareil à **OFF** « ARRÊT » et débranchez le cordon électrique de la prise murale. Retirez tous aliments des étagères de la porte.

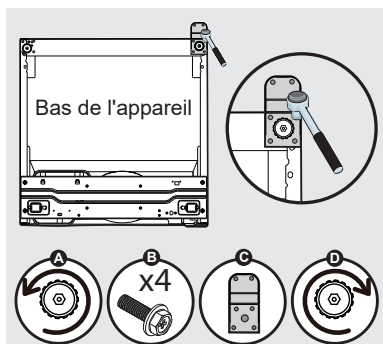
1. Conserver les deux entretoises de porte en plastique entre la porte et le meuble, comme illustré ci-dessous. Les entretoises servent à s'assurer que la distance entre la porte et le meuble est de 1/2 pouce.



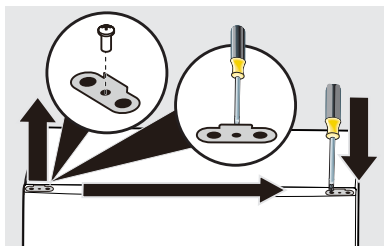
PRUDENCE

Il faudra deux personnes pour effectuer cette procédure en toute sécurité.

2. Coucher le congélateur sur le dos, sur une surface rembourrée.
3. Dévisser le pied de nivellement réglable droit (A). Retirer les quatre vis (B) qui fixent la charnière inférieure (C) au meuble à l'aide d'une clé à cliquet de 8 mm. Revisser le pied de nivellement réglable dans le trou du meuble (D).

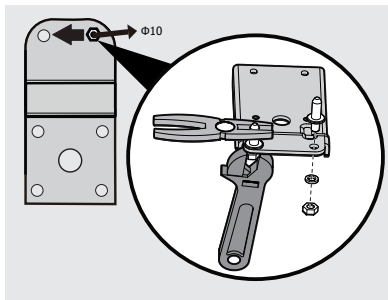


4. Dévisser le butoir de porte sur le côté droit avec le tournevis Phillips, puis le soulever avec le tournevis à tête plate. Puis le visser sur le côté gauche.

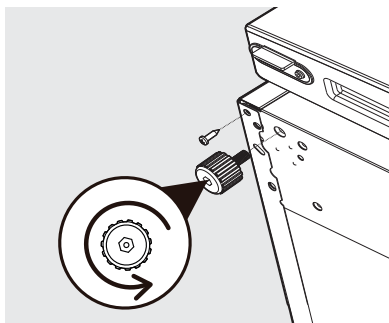


10 RETRAIT/INVERSION DE LA PORTE

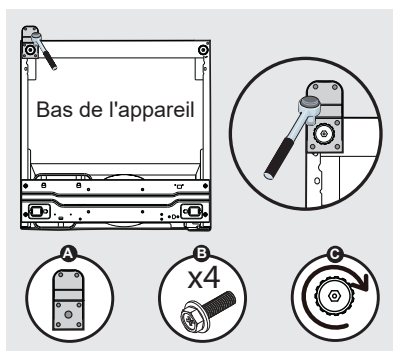
5. Dévisser et insérer la goupille de la charnière de l'autre côté de la charnière inférieure à l'aide d'une clé à molette et de pinces.



6. Dévisser le pied de nivellement réglable gauche et desserrer la vis.



7. Fixer la charnière inférieure (A) avec les quatre vis (B) et le pied de nivellement réglable (C) sur le côté gauche du meuble.



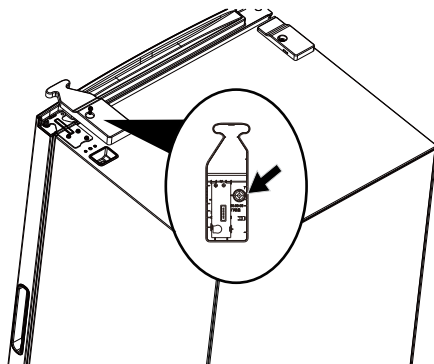
IMPORTANT

Lorsque vous vissez la charnière inférieure :

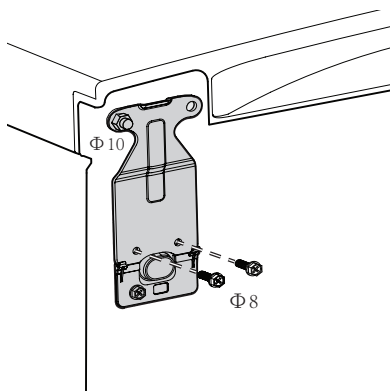
- Déplacer légèrement la porte vers la gauche ou vers la droite pour vous assurer que le trou de la charnière est aligné sur le trou du meuble.
- Insérer les quatre vis jusqu'à la moitié, puis aligner la charnière et serrer à fond.

8. Utilisation d'une clé à cliquet de 8 mm :

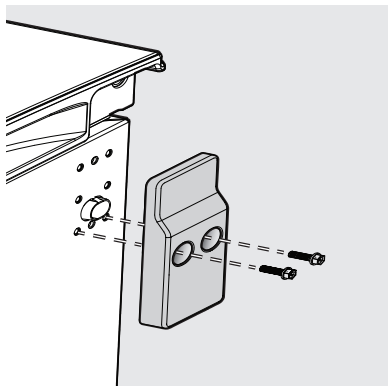
- a. Retirer le couvercle de la charnière supérieure droite et désenclencher le PCB, sans la débrancher de l'unité.



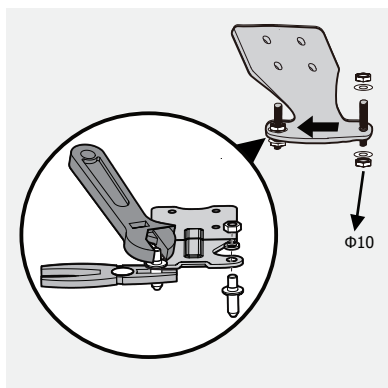
- b. Retirer la charnière supérieure du côté droit.



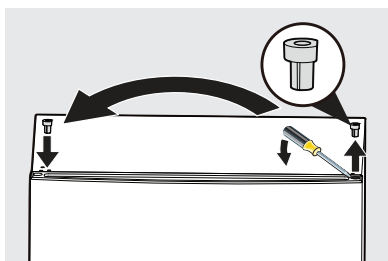
- c. Retirer le couvercle décoratif supérieur gauche.



9. À l'aide d'une clé à molette et de pinces, déplacer la goupille de la charnière du côté droit vers le côté gauche.

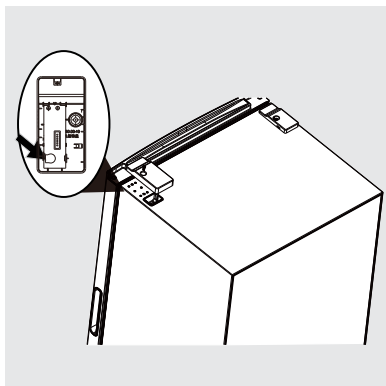


10. À l'aide d'un tournevis à tête plate, soulever doucement le palier d'axe pour le retirer de la porte. La réinstaller de l'autre côté de la porte.

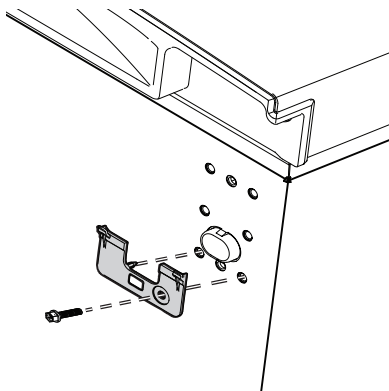


11. Fixer la charnière et les couvercles.

- a. Retirez le couvercle décoratif du sac d'accessoires et insérez-y le PCB, puis fixez le couvercle au boîtier.



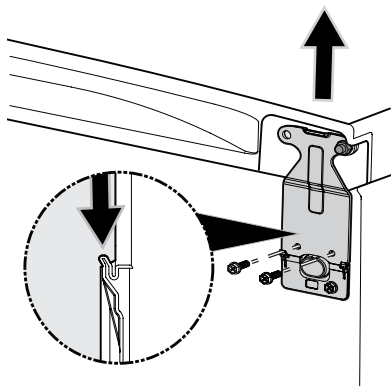
- b. Retirer le guide de positionnement inclus dans le sac d'accessoires pour le fixer dans le coin supérieur gauche du meuble.



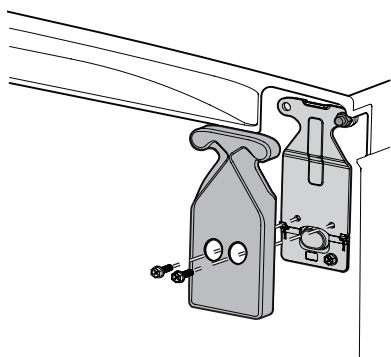
12

RETRAIT/INVERSION DE LA PORTE

- c. Insérer la charnière dans le guide de positionnement. Soulever la porte puis insérer la goupille de la charnière. Fixer la charnière sur le meuble à l'aide de vis.



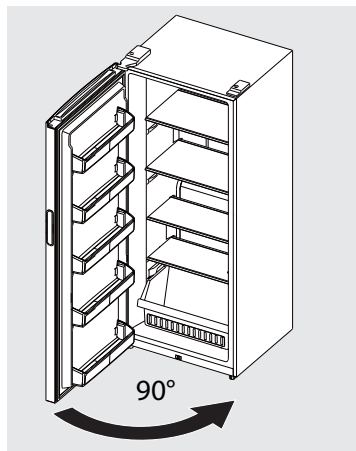
- d. Fixer le couvercle de la charnière.



PRUDENCE

Il faudra deux personnes pour effectuer cette procédure en toute sécurité.

12. Relever l'appareil en position verticale. Ouvrir et fermer la porte pour vérifier qu'elle bouge sans encombre.



13. Attendre une heure avant de rebrancher l'appareil à une prise électrique.

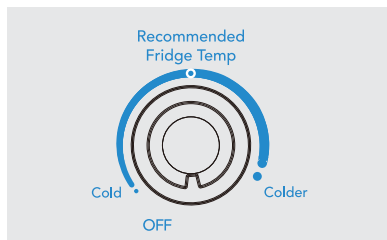
Période de refroidissement

- Afin d'entreposer vos aliments de façon sécuritaire, attendez 4 heures avant de mettre vos aliments dans l'appareil pour qu'il ait le temps de se refroidir complètement. L'unité sera continuellement en marche au cours des premières heures. Les aliments déjà congelés peuvent être mis au congélateur pendant les premières heures de sa mise en marche. Il faut attendre 4 heures après la mise en marche de l'unité pour y placer des aliments non congelés.
- Quand vous mettez des aliments au appareil, ne placez pas plus de 1,3 kg (3 lb) d'aliments non congelés à la fois par pied carré d'espace de congélation. Répartissez les aliments à congeler de façon égale dans l'ensemble de l'unité. Il n'est pas nécessaire de régler la commande de température à une température plus froide pendant le processus de congélation des aliments.

Commande de la température

Le contrôle de la température est situé à l'intérieur du congélateur, sur la paroi arrière. La température est pré-réglée en usine sur **Recommended Fridge Temp** pour une conservation optimale des aliments. Cependant, le contrôle de la température est réglable pour vous offrir une plage de températures adaptée à vos besoins. Pour une température plus froide, tournez le bouton de contrôle de la température sur **Colder** et attendez plusieurs heures que la température se stabilise entre chaque réglage. Les plages de températures approximatives sont indiquées ci-dessous.

Mode	Froid	Recommander	Plus Froid
Fridge	7°C 46°F	5°C 40°F	3°C 36°F



Commande de la température

L'alerte porte entrouverte

Si votre porte est restée ouverte pendant 5 minutes ou plus, l'alerte sonore retentira et la lumière clignotera jusqu'à ce que la porte soit fermée.

Témoin de fonctionnement

Ce témoin indique que le appareil électroménager est correctement branché au courant électrique. Le voyant s'éteint lorsque le contrôle de température est désactivé. Si le témoin s'éteint, reportez-vous à « **Le appareil élec-troménager ne fonctionne** » pas dans la Avant de faire appel au **DÉPANNAGE**. Un voyant qui clignote, accompagné d'une alerte sonore, indique que la température est trop élevée (voir « **Température trop élevée** » dans la section **DÉPANNAGE**).

Alerte de température élevée

Si la température à l'intérieur de l'armoire dépasse 12 °C (53,6 °F), le voyant DEL situé au bas de l'armoire clignote et l'alarme retentit. L'alarme peut être réinitialisée en ouvrant puis en fermant la porte. Le voyant DEL continue de clignoter jusqu'à ce que la température de l'armoire soit inférieure à 10 °C (50 °F).

14 COMMANDES ET RÉGLAGES

Mode Sabbat

Le mode Sabbat est une fonction qui désactive des sections de l'appareil et ses commandes conformément à l'observation du Sabbat et des fêtes religieuses hebdomadaires au sein de la communauté juive orthodoxe.

Le mode Sabbat désactive le bouton de contrôle de la température et coupe tous les sons (sauf l'alerte de **High Temp** (température élevée) et pour quitter le mode Sabbat). Le voyant à DEL situé au bas de l'armoire clignotera et l'alerte de **High Temp** (température élevée) retentira jusqu'à ce que vous désactiviez le mode Sabbat. Le mode Sabbat se désactivera automatiquement après 80 à 84 heures à partir du moment où l'appareil est entré en mode Sabbat. Vous pouvez aussi quitter manuellement le mode Sabbat.

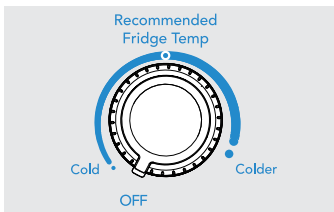
REMARQUE

Le réglage de la température n'est pas affecté par le mode Sabbat. Pour des raisons de sécurité alimentaire, l'alerte de **High Temp** (température élevée) retentira pendant 10 minutes si la température interne augmente.

Après 10 minutes, l'alarme s'arrêtera, mais le voyant à DEL au bas de l'armoire continuera de clignoter jusqu'à ce que vous désactiviez le mode Sabbat.

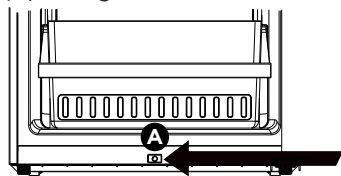
Pour activer le mode Sabbat :

1. Réglez la commande de température à **OFF** (DÉSACTIVÉ).

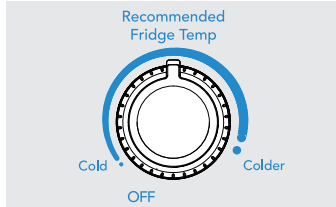


DÉSACTIVÉ

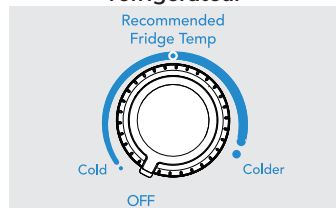
2. Attendez que le voyant à DEL vert (A) éteigne.



3. Réglez lentement la commande de température à **Recommended Fridge Temp** (Température recommandée du réfrigérateur), puis revenez à **OFF** (DÉSACTIVÉ).

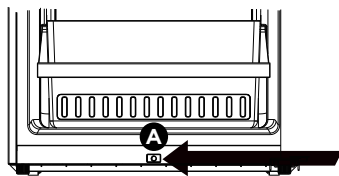


Température recommandée du réfrigérateur



DÉSACTIVÉ

4. Attendez que le voyant à DEL vert (A) éteigne.



5. Répétez les étapes précédentes 3 fois dans les 20 secondes jusqu'à ce que vous entendiez un bip après ce que vous entendiez un bip après que le voyant DEL vert s'éteint, ce qui indique que l'appareil est en mode Sabbat.

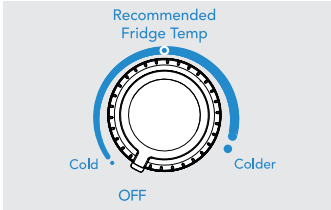
REMARQUE

En mode Sabbat, les lumières ne fonctionneront pas jusqu'à ce que le mode Sabbat soit désactivé.

L'appareil reste en mode Sabbat lorsque le courant est rétabli après une panne de courant. Vous devez le désactiver à l'aide du bouton de contrôle de la température.

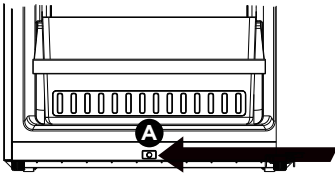
Pour quitter manuellement le mode Sabbat :

1. Réglez la commande de température à **OFF** (DÉSACTIVÉ).

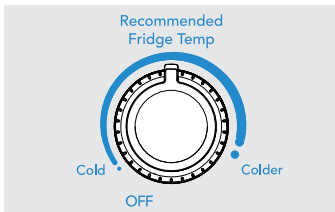


DÉSACTIVÉ

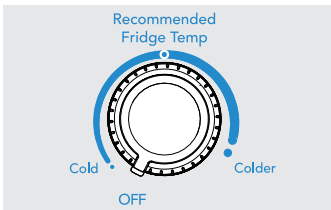
2. Attendez que le voyant à DEL vert (A) s'éteigne.



3. Réglez lentement la commande de température à **Recommended Fridge Temp** (Température recommandée du réfrigérateur), puis revenez à **OFF** (DÉSACTIVÉ).

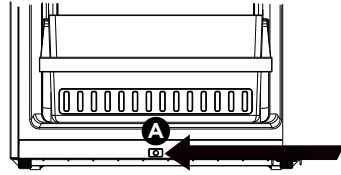


Température recommandée du réfrigérateur



DÉSACTIVÉ

4. Attendez que le voyant à DEL vert (A) s'éteigne.



5. Répétez les étapes précédentes 3 fois dans les 20 secondes jusqu'à ce que vous entendiez un bip après que le voyant DEL vert s'éteint, ce qui indique que l'appareil n'est plus en mode Sabbat.



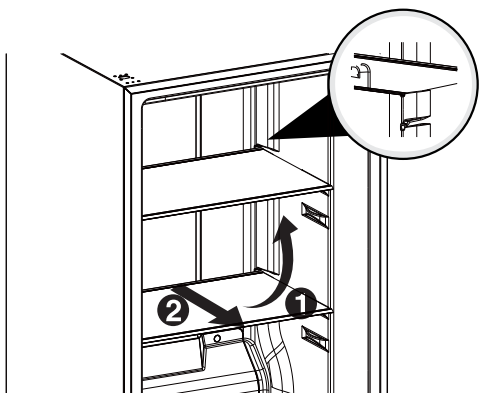
Pour obtenir de l'aide, des indications pour une utilisation appropriée et une liste complète des modèles dotés de la fonction Sabbat, veuillez consulter le site star-k.org.

Réglage des clayettes

Vous pouvez facilement régler la position des clayettes du appareil selon vos besoins. Avant de régler la position des clayettes, enlevez tous les aliments qui s'y trouvent.

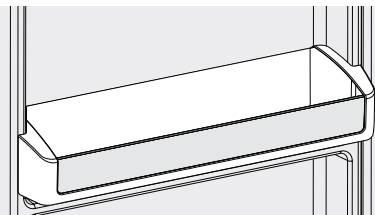
Pour ajuster les étagères coulissantes, retirez-les en les tirant vers l'avant.

Pour remplacer la tablette, laissez reposer les bords latéraux sur toute paire des rails d'étagère et repoussez soigneusement l'étagère en position. la garniture arrière de l'étagère s'insère solidement dans les encoches à l'arrière de la doublure.



Compartiment de porte fixe

Le compartiment de porte fixe sert à ranger des contenants de grande taille ou des sacs pour congélation.





- Placer l'appareil dans l'endroit le plus froid de la pièce, éloigné de la lumière du soleil et des conduits de chauffage ou appareils producteurs de chaleur.
 - Laissez les aliments chauds refroidir à la température de la pièce avant de les ranger dans l'unité. La surcharge du appareil oblige le compresseur à fonctionner plus longtemps. Les aliments qui congèlent trop doucement risquent de perdre leur qualité ou de se gâter.
-
- Enveloppez correctement les aliments et essayez les contenants avant de les ranger dans le congélateur. Ceci diminue la condensation à l'intérieur de l'unité.
 - Les clayettes ne devraient pas être recouvertes de papier aluminium, papier ciré ou essuie-tout. Ces revêtements entravent la circulation de l'air froid, ce qui diminue l'efficacité de l'unité.
 - Rangez bien les aliments et étiquetez-les pour réduire les ouvertures de porte et les recherches prolongées. Prenez autant d'articles que possible en même temps et fermez aussitôt la porte ou le couvercle.

**PRUDENCE**

Les objets humides collent aux surfaces métalliques froides. Ne pas toucher ces surfaces avec les mains humides.

Certains appareils verticaux sont sans givre et se dégivrent donc automatiquement. Il faut cependant les nettoyer de temps à autre.

Nettoyage de l'intérieur

Après le dégivrage, nettoyez les surfaces internes de l'appareil avec une solution de 2 cuillères à soupe (25 g) de bicarbonate de soude dans 1 l (1 qt.) d'eau chaude. Rincez et séchez. Essorez bien votre chiffon ou votre éponge pour nettoyer autour des commandes ou des pièces électriques.

Lavez les pièces amovibles avec une solution de bicarbonate de soude comme cidessus, ou de l'eau tiède additionnée de détergent doux. Rincez et séchez. **N'utilisez jamais** de tampon à récurer métallique, brosse, produit nettoyant abrasif ou solution alcaline sur une surface, quelle qu'elle soit. Ne lavez pas les parties amovibles dans un lave-vaisselle.

Nettoyage de l'extérieur

Lavez la caisse à l'eau tiède additionnée de détergent liquide doux. Rincez bien et séchez avec un linge propre et doux. Remettez en place les pièces et la nourriture.

N'utilisez pas de lame de rasoir ou tout autre instrument pointu pouvant rayer la surface du appareil lorsque vous enlevez les étiquettes adhésives. La colle laissée par le ruban ou les étiquettes peut être enlevée à l'aide d'un mélange d'eau chaude et de détergent doux ou en touchant le résidu de colle avec le côté collant du ruban déjà enlevé. **N'ENLEVEZ PAS LA PLAQUE SIGNALÉTIQUE.**

**AVERTISSEMENT**

Si l'appareil est laissé ouvert pendant des congés, s'assurer que des enfants ne puissent rester emprisonnés à l'intérieur.

**AVERTISSEMENT**

Si l'unité est hors tension pendant plusieurs heures, ouvrez-le le moins possible.

Conseils de vacances et déménagement

Courtes vacances : Laissez l'appareil fonctionner pendant des congés de moins de trois semaines.

Longues vacances : Si l'unité n'est pas utilisé pendant plusieurs mois, enlevez toute la nourriture et débranchez le cordon. Nettoyez et séchez l'intérieur soigneusement. Laissez la porte ou le couvercle légèrement ouvert en bloquant au besoin, pour empêcher moisissure et odeur.

Déménagement : Débranchez le cordon. Enlevez toute la nourriture, dégivrez l'appareil et nettoyez-le. À l'aide du ruban, attachez les pièces movables aux l'unité pour empêcher dommage. Dans le véhicule, l'unité doit être dans une position verticale. Assurez la sécurité du appareil, pour empêcher le mouvement. Couvrez l'extérieur avec une couverture, ou autre article similaire, pour protéger-le.

Laissez-nous vous aider à résoudre votre problème! Cette section vous aidera à régler des problèmes courants. Si vous avez besoin de nous, visitez notre site Web, clavardez avec un agent ou appelez-nous. Cela pourrait vous éviter une visite à domicile. Mais si une visite est nécessaire pour une réparation ou l'entretien, nous pouvons démarrer le processus pour vous.

1-800-374-4432 (États-Unis)
Frigidaire.com

1-800-265-8352 (Canada)
Frigidaire.ca

PROBLÈME	CAUSE	SOLUTION
FONCTIONNEMENT DE L'APPAREIL		
L'appareil ne fonctionne pas.	<ul style="list-style-type: none"> • La commande de température est en position d'arrêt (OFF) ou en position d'alimentation coupée (POWER OFF). • L'appareil n'est peut être pas branché ou la prise mal branchée. • Le fusible a sauté ou le coupe-circuit s'est déclenché. • Panne de courant. 	<ul style="list-style-type: none"> • Voyez COMMANDES ET RÉGLAGES. • Assurez-vous que la fiche est bien enfoncée dans la prise électrique. • Vérifiez/réenclenchez le coupe-circuit ou remplacez le fusible par un fusible de 15 A à action différée. • Vérifiez les lumières de la maison. Appelez la compagnie d'électricité de votre région.
L'appareil fonctionne trop souvent ou trop longtemps.	<ul style="list-style-type: none"> • La température dans la pièce ou à l'extérieur est chaude. • L'appareil a récemment été débranché pendant un certain temps. • Des quantités importantes de nourriture tiède ou chaude ont récemment été entreposées. • Le couvercle est ouvert trop souvent ou trop longtemps. • Il est possible que le couvercle soit entrouvert. • Le réglage de la température est trop bas. • Le joint d'étanchéité est sale, usé, craquelé ou mal ajusté. 	<ul style="list-style-type: none"> • Il est normal que l'appareil fonctionne plus longtemps dans de telles conditions. • L'appareil a besoin d'environ 4 heures pour se refroidir complètement. • Si des aliments tièdes y sont rangés, l'appareil doit fonctionner davantage pour atteindre le niveau de température demandé. • L'appareil fonctionne davantage si de l'air chaud y pénètre. Ouvrez le couvercle moins souvent. • Assurez-vous que le couvercle soit bien fermé. • Tournez la commande pour choisir un réglage plus chaud. Attendez quelques heures pour permettre à la température de se stabiliser. • Nettoyez ou remplacez le joint. Si le joint d'étanchéité du couvercle fuit, l'appareil doit fonctionner plus longtemps pour maintenir la température désirée.
TEMPÉRATURES DU ÉLECTROMÉNAGER		
La température à l'intérieur trop froide.	<ul style="list-style-type: none"> • La commande est réglée à un niveau trop bas. 	<ul style="list-style-type: none"> • Ajustez la commande du l'appareil à un réglage plus chaud. Attendez quelques heures pour permettre à la température de se stabiliser.

20 DÉPANNAGE

PROBLÈME	CAUSE	SOLUTION
La température à l'intérieur est trop chaude.	<ul style="list-style-type: none"> • La commande de température est réglée à un niveau trop élevé. • Le porte est ouvert trop souvent ou trop longtemps. • Le porte se ferme peut-être mal. • Des quantités importantes de nourriture tiède ou chaude ont récemment été entreposées. • L'appareil a récemment été débranché pendant un certain temps. 	<ul style="list-style-type: none"> • Ajustez la commande à un réglage plus froid. Attendez quelques heures pour permettre à la température de se stabiliser. • L'appareil fonctionne davantage si de l'air chaud y pénètre. Ouvrez le porte moins souvent. • Consultez « PROBLÈMES DE PORTE » de la section « DÉPANNAGE ». • Si des aliments tièdes y sont rangés, l'appareil doit fonctionner davantage pour atteindre le niveau de température demandé. • Il faut 4 heures pour que l'appareil se refroidisse complètement.
Température extérieure est trop chaud.	<ul style="list-style-type: none"> • Les murs extérieurs peuvent être jusqu'à 30°F plus chauds que la température ambiante. 	<ul style="list-style-type: none"> • Ceci est normal lorsque le compresseur fonctionne pour transférer la chaleur de l'intérieur de l'armoire.
SONS ET BRUITS		
Bruits plus élevés lorsque l'appareil est en marche.	<ul style="list-style-type: none"> • L'appareils d'aujourd'hui ont une capacité de rangement supérieure et des températures plus uniformes. Ils requièrent un compresseur à rendement élevé. 	<ul style="list-style-type: none"> • Ceci est normal. Quand les bruits ambiants sont faibles, il est possible que vous entendiez fonctionner le compresseur lorsqu'il refroidit l'intérieur.
Bruits plus élevés lorsque le compresseur se met en marche.	<ul style="list-style-type: none"> • L'appareil fonctionne à de plus hautes pressions pendant la mise en marche du cycle de refroidissement. 	<ul style="list-style-type: none"> • Ceci est normal. Les bruits se stabilisent ou disparaissent alors que l'appareil continue à fonctionner.
Craquements lorsque le compresseur se met en marche. Bruits de bouillonnement, semblable à de l'eau qui bout.	<ul style="list-style-type: none"> • Les composants métalliques se dilatent et se contractent comme des tuyaux d'eau chaude. • Du liquide réfrigérant (qui sert à refroidir l'appareil) circule dans le système. 	<ul style="list-style-type: none"> • Ceci est normal. Les bruits se stabilisent ou disparaissent alors que l'appareil continue à fonctionner. • Ceci est normal.
Bruits de ferraille ou de vibration.	<ul style="list-style-type: none"> • L'appareil n'est pas de niveau. Il oscille sur le sol lorsqu'on le déplace légèrement. • Le plancher est inégal ou n'est pas assez solide. Le électroménager oscille sur le sol lorsqu'on le déplace légèrement. • L'appareil touche le mur. 	<ul style="list-style-type: none"> • Mettez l'appareil de niveau. Consultez « Mise à niveau » de la section « INSTALLATION ». • Assurez-vous que le plancher est assez solide pour adéquatement supporter le poids du électroménager. Mettez le électroménager de niveau en plaçant des cales de bois ou de métal sous certaines parties du électroménager. • Remettez l'appareil de niveau ou déplacez-le un peu. Consultez « Mise à niveau » de la section « INSTALLATION ».

PROBLÈME	CAUSE	SOLUTION
EAU/HUMIDITÉ/GIVRE À L'INTÉRIEUR DU ÉLECTROMÉNAGER		
De l'humidité s'accumule sur les parois intérieures.	<ul style="list-style-type: none"> • La température extérieure est chaude et le niveau d'humidité est élevé. • Le porte se ferme peut-être mal. • Le porte est ouvert trop souvent ou trop longtemps. 	<ul style="list-style-type: none"> • Le niveau d'accumulation de givre et de suintement interne augmente. Ceci est normal. • Consultez la section « PROBLÈMES DE PORTE » de la section DÉPANNAGE. • Ouvrez le porte moins souvent.
EAU/HUMIDITÉ/GIVRE À L'EXTÉRIEUR DU ÉLECTROMÉNAGER		
De l'humidité s'accumule sur les parois extérieures.	<ul style="list-style-type: none"> • Le porte n'est peut-être pas bien fermé, faisant en sorte que de l'air froid provenant de l'intérieur du l'appareil entre en contact avec l'air chaud à l'extérieur. 	<ul style="list-style-type: none"> • Consultez la section « PROBLÈMES DE PORTE » de la section DÉPANNAGE.
ODEUR DANS LE ÉLECTROMÉNAGER		
Odeurs dans l'appareil.	<ul style="list-style-type: none"> • L'intérieur a besoin d'être nettoyé. • Des aliments dégageant de fortes odeurs sont conservés dans l'appareil. 	<ul style="list-style-type: none"> • Nettoyez l'intérieur avec une éponge, de l'eau tiède et du bicarbonate de soude. • Couvrir les aliments hermétiquement.
PROBLÈMES DE PORTE		
Le porte ne ferme pas.	<ul style="list-style-type: none"> • L'appareil n'est pas de niveau. Il oscille sur le sol lorsqu'on le déplace légèrement. • Le plancher est inégal ou n'est pas assez solide. 	<ul style="list-style-type: none"> • Cette condition peut engendrer des tensions sur la structure de la caisse et provoquer un mauvais alignement du porte. Consultez « Mise à niveau » de la section « INSTALLATION ». • Mettez l'appareil de niveau en plaçant des cales de bois ou de métal sous le congélateur ou solidifiez le plancher sur lequel il repose.
L'AMPOULE N'EST PAS ALLUMÉE		
L'ampoule n'est pas allumée.	<ul style="list-style-type: none"> • L'ampoule DEL est peut-être grillée. • Aucun courant électrique ne se rend au l'appareil. • La porte a été laissée ouverte plus de 5 minutes. 	<ul style="list-style-type: none"> • Consultez un concessionnaire de service qualifié. • Consultez la rubrique « L'appareil ne fonctionne pas » de la section « DÉPANNAGE ». • Fermez la porte.

Votre appareil est couvert par une garantie limitée d'un an. Pendant un an à compter de la date de livraison initiale, Electrolux assumera les coûts des réparations ou du remplacement des pièces de cet appareil si ce dernier présente un défaut de matériau ou de fabrication, à la condition que l'appareil soit installé, utilisé et entretenu selon les instructions fournies. **Exclusions**

Cette garantie ne couvre pas ce qui suit :

1. Les produits dont le numéro de série original a été enlevé, modifié ou n'est pas facilement déterminable.
2. Les produits qui ont été transférés de leur propriétaire initial à une autre personne ou qui ne sont plus aux États-Unis ou au Canada.
3. La présence de rouille à l'intérieur ou à l'extérieur de l'appareil.
4. Les produits vendus « tels quels » ne sont pas couverts par cette garantie.
5. La perte de nourriture à la suite d'une défaillance du réfrigérateur ou du congélateur.
6. Les produits utilisés dans des établissements commerciaux.
7. Les appels de service qui ne concernent pas un mal fonctionnement, un défaut de fabrication ou de matériau, ou pour les appareils qui ne font pas l'objet d'un usage domestique ou qui ne sont pas utilisés conformément aux instructions fournies.
8. Les appels de service pour vérifier l'installation de votre appareil ou pour obtenir des instructions concernant l'utilisation de votre appareil.
9. Les frais engagés pour accéder à des parties de l'appareil pour une réparation, par exemple, le retrait des garnitures, des armoires, des clayettes, etc., qui ne faisaient pas partie de l'appareil lorsqu'il a quitté l'usine.
10. Les appels de service qui concernent la réparation ou le remplacement des ampoules, des filtres à air, des filtres à eau, d'autres matériels ou des boutons, poignées ou autres pièces esthétiques.
11. Les frais supplémentaires comprenant, mais sans s'y limiter, les appels de service en dehors des heures normales de bureau, en fin de semaine ou pendant un jour férié; les droits de péage; les frais de convoyage ou les frais de déplacement pour les appels de service dans des endroits isolés, notamment l'État de l'Alaska.
12. Les dommages causés au fini de l'appareil ou à la maison pendant l'installation, y compris, sans s'y limiter, aux planchers, aux armoires, aux murs, etc.
13. Les dommages causés par : des réparations effectuées par des techniciens non autorisés; l'utilisation de pièces autres que les pièces Electrolux d'origine ou qui n'ont pas été obtenues par l'entremise d'un réparateur autorisé; ou les causes étrangères comme une utilisation abusive ou inappropriée, une alimentation électrique inadéquate, un accident, un incendie ou une catastrophe naturelle.

AVERTISSEMENT CONCERNANT LES GARANTIES IMPLICITES; LIMITATIONS DES RECOURS

L'UNIQUE RECOURS DU CLIENT EN VERTU DE CETTE GARANTIE LIMITÉE EST LA RÉPARATION OU LE REMPLACEMENT DU PRODUIT SELON LES TERMES DE LA PRÉSENTE. LES RÉCLAMATIONS BASÉES SUR DES GARANTIES IMPLICITES, Y COMPRIS LES GARANTIES IMPLICITES DE QUALITÉ MARCHANDE OU D'ADAPTATION À UN USAGE PARTICULIER, SONT LIMITÉES À UN AN OU À LA PÉRIODE LA PLUS COURTE PERMISE PAR LA LOI, QUI NE DOIT PAS ÊTRE INFÉRIEURE À UN AN. ELECTROLUX NE POURRA ÊTRE TENUE RESPONSABLE DES DOMMAGES ACCESSOIRES OU INDIRECTS NI DES DOMMAGES MATÉRIELS ET DES DÉPENSES IMPRÉVUES RÉSULTANT D'UNE VIOLATION DE CETTE GARANTIE ÉCRITE OU DE TOUTE AUTRE GARANTIE IMPLICITE. CERTAINS ÉTATS ET CERTAINES PROVINCES NE PERMETTENT AUCUNE RESTRICTION OU EXEMPTION SUR LES DOMMAGES ACCESSOIRES OU INDIRECTS NI RESTRICTION SUR LES GARANTIES IMPLICITES. DANS CE CAS, CES RESTRICTIONS OU EXEMPTIONS POURRAIENT NE PAS ÊTRE APPLICABLES. CETTE GARANTIE ÉCRITE VOUS DONNE DES DROITS LÉGAUX PRÉCIS. IL SE PEUT QUE VOUS AYEZ D'AUTRES DROITS VARIANT SELON L'ÉTAT OU LA PROVINCE.

Si vous avez besoin d'une réparation

Conservez votre reçu, votre bon de livraison ou une autre preuve valide de paiement pour établir la période de la garantie dans le cas où vous devriez faire appel aux services d'un technicien autorisé. Si une réparation doit être effectuée, veuillez obtenir et conserver tous les reçus.

Le service auquel vous avez recours en vertu de cette garantie doit être obtenu en communiquant avec Electrolux aux adresses ou aux numéros de téléphone indiqués ci-dessous.

Cette garantie n'est valide qu'aux États-Unis et au Canada. Aux États-Unis, votre appareil est garanti par Electrolux Major Appliances North America, une division d'Electrolux Home Products, Inc. Au Canada, votre appareil est garanti par Electrolux Canada Corp. Personne n'est autorisé à modifier les obligations contenues dans cette garantie ni d'y ajouter quelque élément que ce soit. Les obligations de cette garantie concernant la réparation et les pièces doivent être remplies par Electrolux ou par une compagnie de réparation autorisée. Les caractéristiques et les spécifications décrites ou illustrées peuvent être modifiées sans préavis.

États-Unis
1-800-374-4432
 Frigidaire
 10200 David Taylor Drive
 Charlotte, NC 28262



Electrolux

Canada
1.800.265.8352
 Electrolux Canada Corp.
 5855 Terry Fox Way
 Mississauga, Ontario, Canada
 L5V 3E4

FRIGIDAIRE®

bienvenue **chez vous**

Vous êtes chez vous chez nous.
Visitez-nous si vous avez besoin
d'aide pour les choses suivantes :



soutien à la clientèle



accessoires



entretien et réparation



enregistrement

(Pour de plus amples renseignements,
consultez votre carte d'enregistrement.)

Frigidaire.com
1 800 374-4432

Frigidaire.ca
1 800 265-8352